

Achieve Ultra-Low Idle Current With TPA3128D2, TPA3156D2, or TPA3126

Peter Cao

ABSTRACT

The TPA3128D2, TPA3156D2, and TPA3126 Class D Audio Power Amplifiers have ultra-low power loss and help to extend the battery life of Bluetooth® and wireless speakers and other battery-powered audio systems. The high efficiency of the TPA3128D2, TPA3156D2, and TPA3126 devices allows them to output 2 × 30 W without external heat sink on a dual layer PCB. This application note describes the new features in the TPA3128D2, TPA3156D2, and TPA3126 devices and the benefits in application. This application note also shows some test results to prove the performance improvement by the new features.

Contents

1	General Overview	2
2	Novel Hybrid Mode	2
3	Separated AVCC.....	4
4	Shut Down Individual Channel	5

List of Figures

1	PVCC Idle Current vs. Voltage With Snubber	2
2	PVCC Idle Current vs. Voltage Without Snubber.....	3
3	PVCC Current During Playing Audio.....	3
4	Separate PVCC and AVCC	4
5	Connect to RIN+ and RIN- Directly to GND.....	5

List of Tables

1	Saved Power in BD Mode	4
2	Saved Power in Hybrid Mode	4
3	Saved Power in BD Mode	5
4	Saved Power in Hybrid Mode	5

Trademarks

Bluetooth is a registered trademark of Bluetooth SIG, Inc.
All other trademarks are the property of their respective owners.

1 General Overview

To extend the battery life and lower power consumption in consumer electronics, for example, TV, BT speaker, wireless speaker, mini speaker, USB speaker, or musical instrument, the TPA3128D2, TPA3156D2, and TPA3126 provide some new features to improve the performance of power consumption compared to the traditional audio amplifiers. This document details these new features in the TPA3128D2, TPA3156D2, and TPA3126.

- [Section 2](#) describes the new feature Novel Hybrid mode.
- [Section 3](#) analyzes the benefits from separated AVCC.
- [Section 4](#) introduces individual channel shut down mode.

2 Novel Hybrid Mode

TPA3128D2 supports Novel Hybrid mode to save power consumption in idle state and light-load state. This way, battery life can be extended by this feature. The idle state power consumption is evaluated in both BD mode and Hybrid mode. The performance is compared in quiescent case and dynamic case.

2.1 Quiescent Performance Improvement

Set TPA3128D2 in idle state, and measure the current in PVCC. Measure the PVCC current in both BD mode and Hybrid mode. PVCC idle current in Hybrid mode is less than BD mode, and the difference enlarges as PVCC increases.

The following figure shows the comparison of PVCC idle current from BD mode to Hybrid mode. (Fsw = 400 kHz, with snubber)

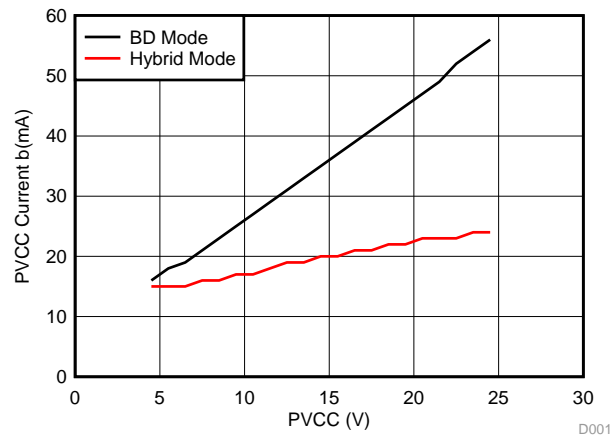


Figure 1. PVCC Idle Current vs. Voltage With Snubber

The following figure shows the comparison of PVCC idle current from BD mode to Hybrid mode. (Fsw = 400 kHz, without snubber)

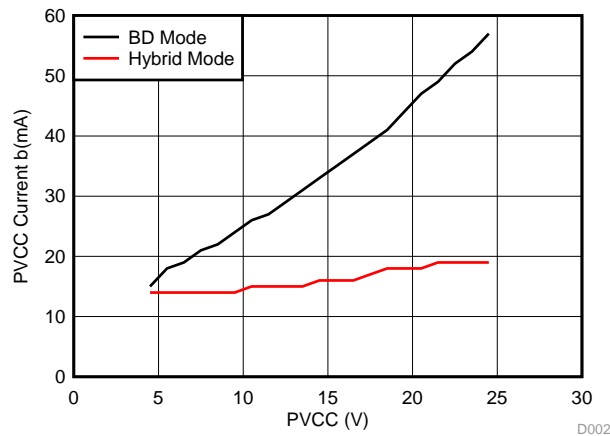


Figure 2. PVCC Idle Current vs. Voltage Without Snubber

2.2 Dynamic Performance Improvement

When playing music normally, the dynamic overall power consumption is also improved obviously in Hybrid mode. The PVCC current drops obviously in the red circles in the following figure.

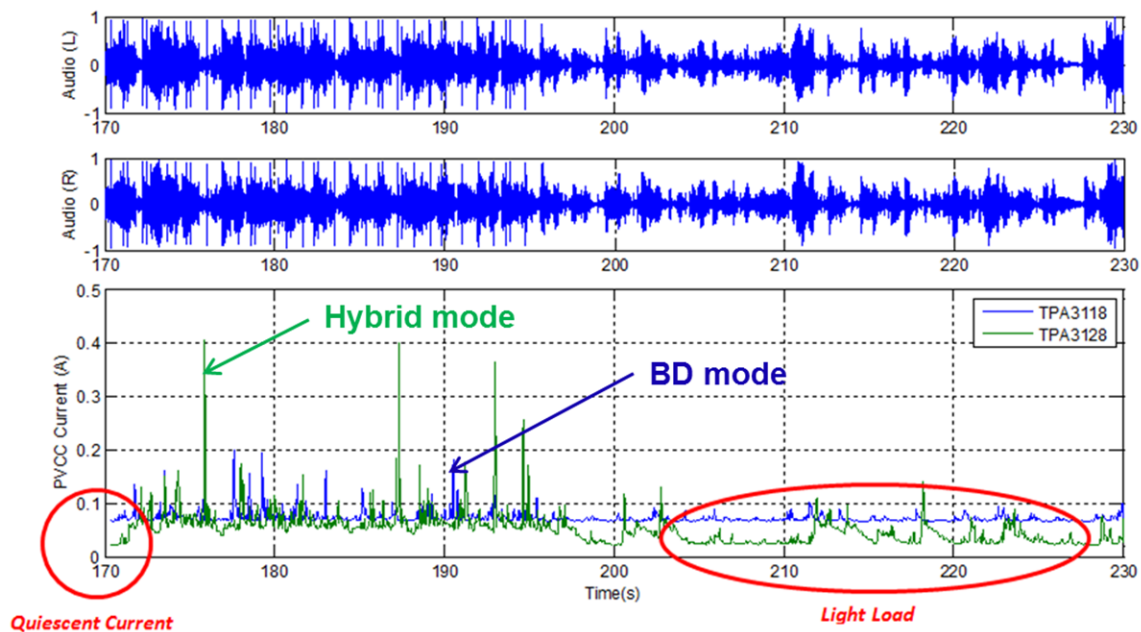


Figure 3. PVCC Current During Playing Audio

3 Separated AVCC

The internal LDO power loss is lowered by separating AVCC and PVCC, as shown in the following figures.

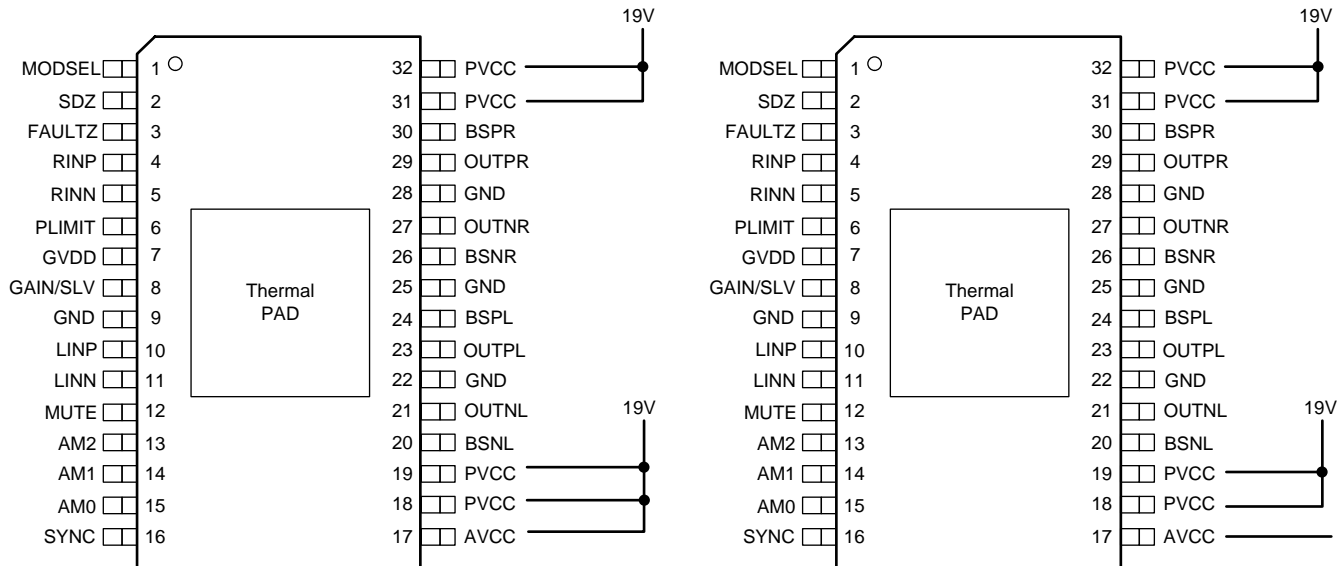


Figure 4. Separate PVCC and AVCC

The following two tables show the saved total power by separating 5V AVCC in BD mode and Hybrid mode.

Table 1. Saved Power in BD Mode

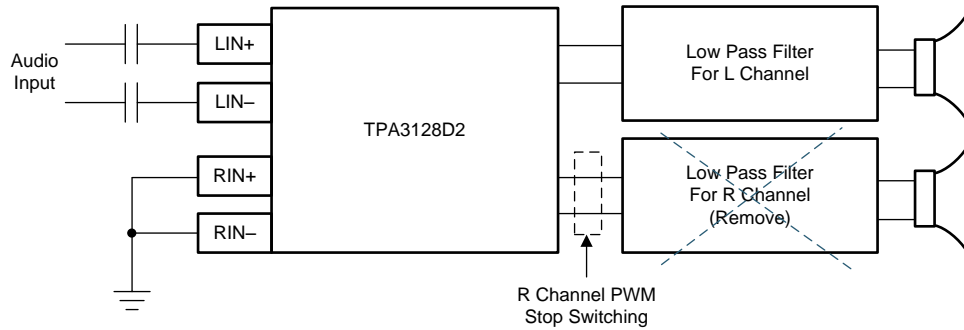
PVCC(V)	AVCC(V)	Current On PVCC (mA)	Current On AVCC (mA)	Total Power Consumption (mW)	Saved Power (mW)
6	6	12	4	96	9
	5	12	3	87	
12	12	21	4	300	16
	5	22	4	284	
18	18	32	4	648	34
	5	33	4	614	
24	24	46	4	1200	52
	5	47	4	1148	

Table 2. Saved Power in Hybrid Mode

PVCC(V)	AVCC(V)	Current On PVCC (mA)	Current On AVCC (mA)	Total Power Consumption (mW)	Saved Power (mW)
6	6	7	4	66	4
	5	7	4	62	
12	12	9	4	156	28
	5	9	4	128	
18	18	10	4	252	52
	5	10	4	200	
24	24	12	4	384	76
	5	12	4	308	

4 Shut Down Individual Channel

Connect to RIN+ and RIN– directly to GND, and TPA3128D2 will enter Individual shutdown mode. R channel is shut down this way. This feature will permit customer to add a power save mode when battery is not enough.



Copyright © 2016, Texas Instruments Incorporated

Figure 5. Connect to RIN+ and RIN- Directly to GND

The following tables show the saved PVCC current in BD mode and Hybrid mode.

Table 3. Saved Power in BD Mode

PVCC (V)	Current On PVCC (mA)		Saved PVCC Current (mA)
	Channel R On	Channel R Off	
6	17	11	6
12	26	16	10
18	37	22	15
24	51	29	22

Table 4. Saved Power in Hybrid Mode

PVCC (V)	Current On PVCC (mA)		Saved PVCC Current (mA)
	Channel R On	Channel R Off	
6	11	9	2
12	14	10	4
18	15	11	4
24	17	12	5

Revision History

NOTE: Page numbers for previous revisions may differ from page numbers in the current version.

Changes from Original (January 2017) to A Revision	Page
• Added TPA3156D2 and TPA3126 part numbers to the document title, abstract, and <i>General Overview</i>	1

IMPORTANT NOTICE FOR TI DESIGN INFORMATION AND RESOURCES

Texas Instruments Incorporated ("TI") technical, application or other design advice, services or information, including, but not limited to, reference designs and materials relating to evaluation modules, (collectively, "TI Resources") are intended to assist designers who are developing applications that incorporate TI products; by downloading, accessing or using any particular TI Resource in any way, you (individually or, if you are acting on behalf of a company, your company) agree to use it solely for this purpose and subject to the terms of this Notice.

TI's provision of TI Resources does not expand or otherwise alter TI's applicable published warranties or warranty disclaimers for TI products, and no additional obligations or liabilities arise from TI providing such TI Resources. TI reserves the right to make corrections, enhancements, improvements and other changes to its TI Resources.

You understand and agree that you remain responsible for using your independent analysis, evaluation and judgment in designing your applications and that you have full and exclusive responsibility to assure the safety of your applications and compliance of your applications (and of all TI products used in or for your applications) with all applicable regulations, laws and other applicable requirements. You represent that, with respect to your applications, you have all the necessary expertise to create and implement safeguards that (1) anticipate dangerous consequences of failures, (2) monitor failures and their consequences, and (3) lessen the likelihood of failures that might cause harm and take appropriate actions. You agree that prior to using or distributing any applications that include TI products, you will thoroughly test such applications and the functionality of such TI products as used in such applications. TI has not conducted any testing other than that specifically described in the published documentation for a particular TI Resource.

You are authorized to use, copy and modify any individual TI Resource only in connection with the development of applications that include the TI product(s) identified in such TI Resource. NO OTHER LICENSE, EXPRESS OR IMPLIED, BY ESTOPPEL OR OTHERWISE TO ANY OTHER TI INTELLECTUAL PROPERTY RIGHT, AND NO LICENSE TO ANY TECHNOLOGY OR INTELLECTUAL PROPERTY RIGHT OF TI OR ANY THIRD PARTY IS GRANTED HEREIN, including but not limited to any patent right, copyright, mask work right, or other intellectual property right relating to any combination, machine, or process in which TI products or services are used. Information regarding or referencing third-party products or services does not constitute a license to use such products or services, or a warranty or endorsement thereof. Use of TI Resources may require a license from a third party under the patents or other intellectual property of the third party, or a license from TI under the patents or other intellectual property of TI.

TI RESOURCES ARE PROVIDED "AS IS" AND WITH ALL FAULTS. TI DISCLAIMS ALL OTHER WARRANTIES OR REPRESENTATIONS, EXPRESS OR IMPLIED, REGARDING TI RESOURCES OR USE THEREOF, INCLUDING BUT NOT LIMITED TO ACCURACY OR COMPLETENESS, TITLE, ANY EPIDEMIC FAILURE WARRANTY AND ANY IMPLIED WARRANTIES OF MERCHANTABILITY, FITNESS FOR A PARTICULAR PURPOSE, AND NON-INFRINGEMENT OF ANY THIRD PARTY INTELLECTUAL PROPERTY RIGHTS.

TI SHALL NOT BE LIABLE FOR AND SHALL NOT DEFEND OR INDEMNIFY YOU AGAINST ANY CLAIM, INCLUDING BUT NOT LIMITED TO ANY INFRINGEMENT CLAIM THAT RELATES TO OR IS BASED ON ANY COMBINATION OF PRODUCTS EVEN IF DESCRIBED IN TI RESOURCES OR OTHERWISE. IN NO EVENT SHALL TI BE LIABLE FOR ANY ACTUAL, DIRECT, SPECIAL, COLLATERAL, INDIRECT, PUNITIVE, INCIDENTAL, CONSEQUENTIAL OR EXEMPLARY DAMAGES IN CONNECTION WITH OR ARISING OUT OF TI RESOURCES OR USE THEREOF, AND REGARDLESS OF WHETHER TI HAS BEEN ADVISED OF THE POSSIBILITY OF SUCH DAMAGES.

You agree to fully indemnify TI and its representatives against any damages, costs, losses, and/or liabilities arising out of your non-compliance with the terms and provisions of this Notice.

This Notice applies to TI Resources. Additional terms apply to the use and purchase of certain types of materials, TI products and services. These include; without limitation, TI's standard terms for semiconductor products (<http://www.ti.com/sc/docs/stdterms.htm>), [evaluation modules](#), and [samples](http://www.ti.com/sc/docs/sampterm.htm) (<http://www.ti.com/sc/docs/sampterm.htm>).

Mailing Address: Texas Instruments, Post Office Box 655303, Dallas, Texas 75265
Copyright © 2018, Texas Instruments Incorporated