

3G-SDI Cable Equalizer Compatibility Guide – TI / Semtech

ABSTRACT

To facilitate design with TI's 3G-SDI portfolio, this guide provides a detailed description about cable equalizer devices that are drop-in compatible and functional equivalent replacements for similar Semtech cable equalizers. In addition, this guide provides details about 3G-SDI cable equalizer part selection for new designs to enable improved performance and an easy future upgrade path from 3G to 12G.

Contents

| | | |
|---|---|---|
| 1 | Introduction | 2 |
| 2 | Cable Equalizer Compatibility Overview | 2 |
| 3 | LMH0384, LMH0344 Pin Compatibility With GS2964, GS2974A, GS2984 | 3 |
| 4 | LMH0394, LMH0384, LMH0344 Pin Compatibility With GS2994, GS3440 | 5 |
| 5 | LMH0395 Functional Equivalent With GS2993, GS3441 | 7 |
| 6 | LMH0324 3G-SDI Cable Equalizer for New Designs | 8 |
| 7 | Summary | 8 |

Trademarks

All trademarks are the property of their respective owners.

1 Introduction

TI offers a diverse 3G-SDI portfolio that includes cable equalizers, reclockers, and cable drivers. Many of these 3G-SDI devices are pin-compatible or functional equivalent replacement options with devices offered by other SDI IC vendors. This guide serves as a pin-by-pin reference with a detailed comparison of TI's 3G cable equalizers and similar cable equalizer devices offered by Semtech.

2 Cable Equalizer Compatibility Overview

These TI devices are pin-compatible with the following Semtech cable equalizers:

| TI CABLE EQ | PIN-COMPATIBLE WITH... | DEVICE DETAILS |
|--------------------|---|---|
| LMH0384 LMH0344 | GS2964, GS2974A, GS2984, GS2994, GS3440 | Single Output EQ 16-Pin QFN 4 mm x 4 mm |
| LMH0394 | GS2994, GS3440 | Single Output EQ 16-Pin QFN 4 mm x 4 mm |

The TI device below is functionally equivalent, but not pin-compatible, with the following Semtech cable equalizers:

| TI CABLE EQ | FUNCTIONALLY COMPATIBLE WITH... | DEVICE DETAILS |
|-------------|---------------------------------|---|
| LMH0395 | GS2993, GS3441 | Dual Output EQ 24-Pin QFN 4 mm x 4 mm |

3 LMH0384, LMH0344 Pin Compatibility With GS2964, GS2974A, GS2984

3.1 Key Schematic Differences

Figure 1 highlights key schematic differences between TI and Semtech drop-in compatible solutions in blue. For a detailed comparison of device pin functionality, refer to Section 3.2.

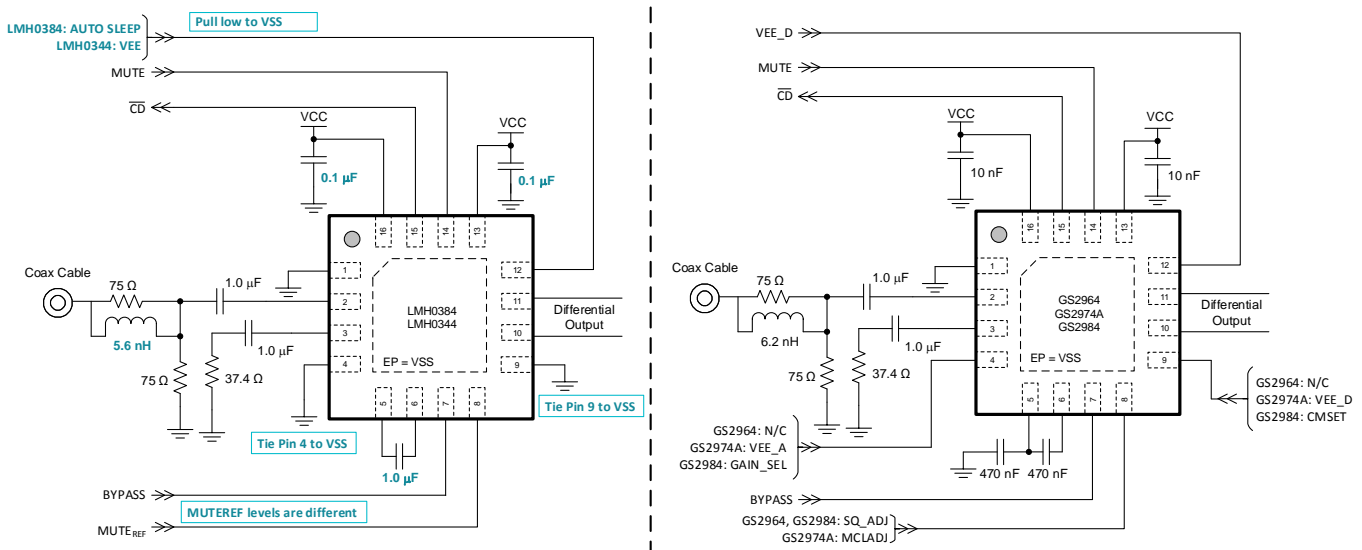


Figure 1. LMH0384, LMH0344 Pin Compatibility With GS2964, GS2974A, GS2984

3.2 Pin-By-Pin Comparison

| PIN NO. | LMH0384 ⁽¹⁾ LMH0344 | GS2964 GS2974A GS2984 | FUNCTIONAL DIFFERENCES AND NOTES |
|---------|---|---|---|
| 1, DAP | V _{EE} | VEE_A | None |
| 2, 3 | SDI, SDT | SDI, SDT | None |
| 4 | LMH0384: SPI_EN LMH0344: V _{EE} | GS2964: N/C GS2974A: VEE_A GS2984: GAIN_SEL | LMH0384: Pull to V _{EE} for compatibility. Ensure launch amplitude before LMH0384 is 800 mVpp to comply with SMPTE standards. GS2984: 6-dB flat attenuation compensation. Tie to VEE when interfacing with SMPTE compliant launch amplitude of 800 mVpp. |
| 5, 6 | AEC+, AEC- | AGC, AGC | LMH0384/44: 1-μF integration cap required GS2964/74A/84: 2 × 470-nF capacitors required |
| 7 | BYPASS | BYPASS | LMH0344: External pulldown required to disable bypass function. |
| 8 | MUTE _{REF} | GS2964/84: SQ_ADJ GS2974A: MCLADJ | LMH0384/44: Leave as no connect for maximum cable reach. See LMH0384/LMH0344 data sheet for specific threshold levels. |
| 9 | V _{EE} | GS2964: N/C GS2974A: VEE_D GS2984: CMSET | GS2984: CMSET sets the common mode logic level to 3.3 V (tie high) or 2.5 V (tie low). For interface flexibility, a 4.7-μF, AC-coupling cap can be used, with CMSET tied low. |
| 10, 11 | SDO, SDO | SDO, SDO | None |
| 12 | LMH0384: AUTO SLEEP LMH0344: V _{EE} | VEE_D | LMH0384: Automatic Power Down in case of carrier loss. For compatibility, pull this pin low to disable automatic power down. |
| 13 | V _{CC} | VCC_D | None. 3.3-V Supply |
| 14 | MUTE | MUTE | None |
| 15 | CD | CD | None |
| 16 | V _{CC} | VCC_A | None. 3.3-V Supply |

⁽¹⁾ LMH0384 pin descriptions in this table are shown for Pin Mode only. Although the TI LMH0384 also supports a programmable SPI Mode, the Semtech GS2964/GS2974A/GS2984 only supports Pin Mode operation.

3.3 External Component Differences

To replace the GS2964/GS2974A/GS2984, the following external component changes should be observed regarding the LMH0384/LMH0344:

| COMPONENT(S) | CHANGE FROM... | CHANGE TO... |
|--------------------------------------|---|--------------|
| MUTE _{REF} Resistor Network | Leave as no connect for maximum cable reach. See LMH0384/LMH0344 data sheet for specific threshold levels. | |
| External Integration Capacitor | 2 × 470 nF | 1 μF |
| Return Loss Inductor | 6.2 nH | 5.6 nH |

4 LMH0394, LMH0384, LMH0344 Pin Compatibility With GS2994, GS3440

- When only a 3.3-V power supply is available, TI recommends the LMH0384 or LMH0344. Alternatively, the LMH0394 can be used with a TLV117125DCYR (2.5-V LDO) to provide the 2.5-V supply.
- When a 2.5-V power supply is available, TI recommends the LMH0394. Using a 2.5-V power supply significantly reduces the power dissipation compared with the GS2994 and GS3440.

4.1 Key Schematic Differences

Figure 2 and Figure 3 highlight key schematic differences between TI and Semtech drop-in compatible solutions in **blue**. For a detailed comparison of device pin functionality, refer to Section 4.2.

4.1.1 LMH0394 vs. GS2994, GS3440

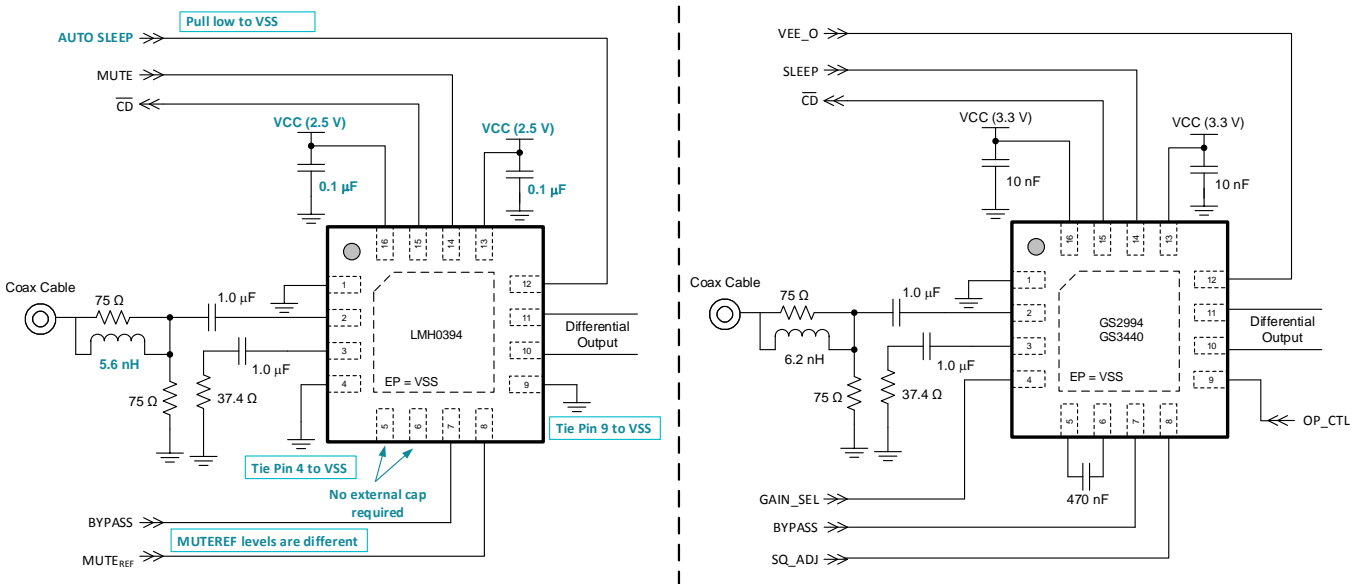


Figure 2. LMH0394 Pin Compatibility With GS2994, GS3440

4.1.2 LMH0384, LMH0344 vs. GS2994, GS3440

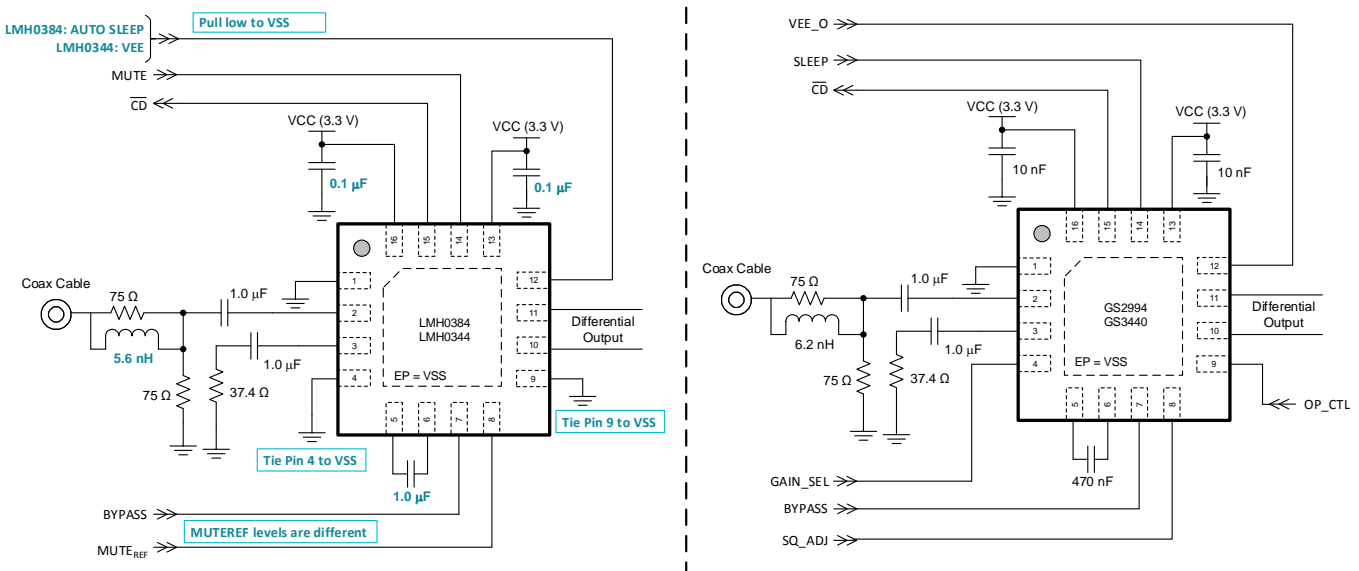


Figure 3. LMH0384, LMH0344 Pin Compatibility With GS2994, GS3440

4.2 Pin-by-Pin Comparison

| PIN NO. | LMH0394 ⁽¹⁾ LMH0384 ⁽¹⁾ LMH0344 | GS2994 GS3440 | FUNCTIONAL DIFFERENCES AND NOTES |
|-----------|---|------------------|---|
| 1, DAP | V _{EE} | VEE_A | None |
| 2, 3 | SDI, SDT | SDI, SDT | None |
| 4 | LMH0394/84: SPI_EN LMH0344: V _{EE} | GAIN_SEL | LMH0394/84: Pull to VEE for compatibility. Ensure launch amplitude before LMH0394/84 is 800 mVpp to comply with SMPTE standards. GS2994/3440: 6-dB flat attenuation compensation. Tie to VEE when interfacing with SMPTE compliant launch amplitude of 800 mVpp. |
| 5, 6 | AEC+, AEC- | AGC, AGC | LMH0394: Optional 1-μF integration capacitor (not required) LMH0384/44: 1-μF integration cap required GS2294/3440: 470-nF cap required. |
| 7 | BYPASS | BYPASS | LMH0344: External pulldown required to disable bypass function. |
| 8 | MUTE _{REF} | SQ_ADJ | LMH0394/84/44: Leave as no connect for maximum cable reach. See LMH0394/LMH0384/LMH0344 data sheet for specific threshold levels. |
| 9 | V _{EE} | OP_CTL | GS2994/3440: OP_CTL sets the output swing and de-emphasis settings. Tie low VEE to output 800 mVpp with no de-emphasis. |
| 10, 11 | SDO, SDO | DDO, DDO | None |
| 12 | LMH0394/84: AUTO SLEEP LMH0344: V _{EE} | VEE_O | LMH0394/84: Automatic Power Down in case of carrier loss. For compatibility, pull this pin low to disable automatic power down |
| 13 | V _{CC} | VCC_O | LMH0394: 2.5-V Supply LMH0384/44 and GS2994/3440: 3.3-V Supply |
| 14 | MUTE | SLEEP | None |
| 15 | CD | CD | None |
| 16 | V _{CC} | VCC_A | LMH0394: 2.5-V Supply LMH0384/44 and GS2994/3440: 3.3-V Supply |

⁽¹⁾ LMH0394/LMH0384 pin descriptions in this table are shown for Pin Mode only. Although the TI LMH0394/LMH0384 also supports a programmable SPI Mode, the Semtech GS2994/GS3440 only supports Pin Mode operation.

4.3 External Component Differences

To replace the GS2994/GS3440, the following external component changes should be observed regarding the LMH0394/LMH0384/LMH0344:

| COMPONENT(S) | CHANGE FROM... | CHANGE TO... |
|--------------------------------------|---|--|
| MUTE _{REF} Resistor Network | Leave as no connect for maximum cable reach. See LMH0394/LMH0384/LMH0344 data sheet for specific threshold levels. | |
| External Integration Capacitor | 470 nF | LMH0394: No external cap required. LMH0384/44: 1 μF |
| Return Loss Inductor | 6.2 nH | 5.6 nH |

5 LMH0395 Functional Equivalent With GS2993, GS3441

While TI does not have a pin-compatible equivalent to Semtech's GS2993 and GS3441 3G-SDI dual output cable equalizers, the LMH0395 can be used as a functional equivalent. The LMH0395 supports dual outputs in either Pin Mode or SPI Mode.

NOTE: The LMH0395 requires a 2.5-V supply compared to a 3.3-V supply for the GS2993 and GS3441. This lower supply voltage results in lower power dissipation.

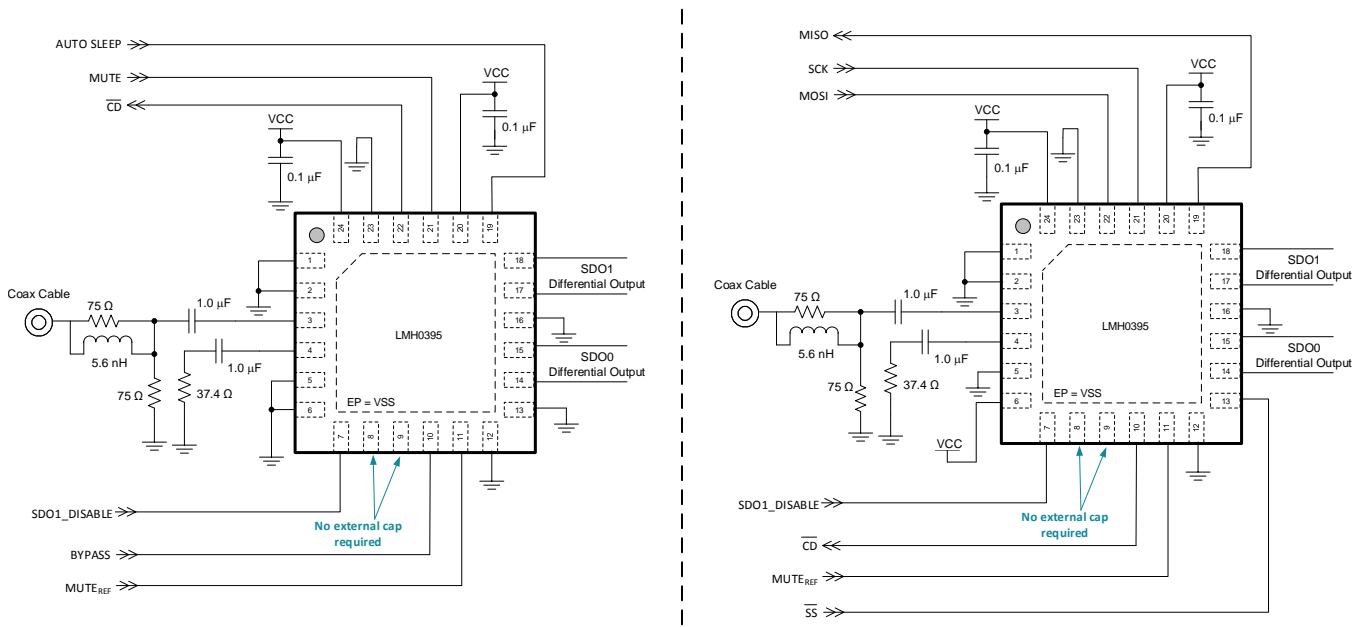


Figure 4. LMH0395 Dual Output Cable EQ Schematic in Pin Mode (Left) and SPI Mode (Right)

Table 1. LMH0395 Performance Comparison vs. GS2993, GS3441

| FEATURES | LMH0395 | GS2993 | GS3441 |
|---------------------------------|---------------------------|---------------------------|---------------------------|
| 3G Cable Reach, B1694A (m) | 200 | 140 | 200 |
| Power Consumption, Typical (mW) | 140 | 165 | 210 |
| 6-dB Splitter Mode (Input Gain) | Yes | Yes | Yes |
| Cable Length Indicator | Yes | Yes | Yes |
| Supply Voltage (V) | 2.5 | 3.3 | 3.3 |
| Pin Control | Yes | Yes | Yes |
| Software Control (SPI) | Yes | No | No |
| Operating Temperature Range | -40 to 85°C | -40 to 85°C | -40 to 85°C |
| Package | 24-Pin QFN 4 mm x 4 mm | 24-Pin QFN 4 mm x 4 mm | 24-Pin QFN 4 mm x 4 mm |

6 LMH0324 3G-SDI Cable Equalizer for New Designs

For new 3G-SDI designs in the component-selection phase, TI recommends designing with the LMH0324. Using the LMH0324 enables an easy upgrade path to the LMH1219, a pin-compatible 12G-SDI cable equalizer with integrated reclocker. In addition, the LMH0324 offers lower power dissipation and improved cable reach compared to previous generation 3G-SDI cable equalizers, as shown in [Table 2](#).

Table 2. Belden 1694A Cable Reach Performance Comparison

| FEATURES | LMH0324 | LMH0395 | GS3441 |
|----------------------------|------------|---------|--------|
| 3G Cable Reach, B1694A (m) | 200 | 200 | 200 |
| HD Cable Reach, B1694A (m) | 280 | 220 | 250 |
| SD Cable Reach, B1694A (m) | 600 | 400 | 500 |

NOTE: The LMH0324 is *not* pin-compatible with the previously mentioned 3G-SDI devices (LMH0344, LMH0384, LMH0394, LMH0395).

Other advantages of the LMH0324 include the following:

- Lowest Power: 78 mW Typical
- Integrated Input and Output Terminations
- Integrated Return Loss Network
- Dual Output PCB Trace Drivers
- SMBus or SPI Control Programmability

For more information, visit the [LMH0324](#) product folder to request access to the full data sheet and other design documents.

7 Summary

TI offers a wide SDI portfolio with pin-compatible alternatives to Semtech 3G-SDI cable equalizer devices. With a few simple component changes to an existing SDI design and board layout, a Semtech 3G-SDI single output cable equalizer can be replaced and improved with TI's pin-compatible 3G-SDI cable equalizers. For Semtech's 3G-SDI dual output cable equalizers, the LMH0395 can be used as a functionally compatible replacement. For new 3G designs that are in the component selection phase, TI recommends the LMH0324 for improved performance and easy upgrade path to 12G.

IMPORTANT NOTICE FOR TI DESIGN INFORMATION AND RESOURCES

Texas Instruments Incorporated ("TI") technical, application or other design advice, services or information, including, but not limited to, reference designs and materials relating to evaluation modules, (collectively, "TI Resources") are intended to assist designers who are developing applications that incorporate TI products; by downloading, accessing or using any particular TI Resource in any way, you (individually or, if you are acting on behalf of a company, your company) agree to use it solely for this purpose and subject to the terms of this Notice.

TI's provision of TI Resources does not expand or otherwise alter TI's applicable published warranties or warranty disclaimers for TI products, and no additional obligations or liabilities arise from TI providing such TI Resources. TI reserves the right to make corrections, enhancements, improvements and other changes to its TI Resources.

You understand and agree that you remain responsible for using your independent analysis, evaluation and judgment in designing your applications and that you have full and exclusive responsibility to assure the safety of your applications and compliance of your applications (and of all TI products used in or for your applications) with all applicable regulations, laws and other applicable requirements. You represent that, with respect to your applications, you have all the necessary expertise to create and implement safeguards that (1) anticipate dangerous consequences of failures, (2) monitor failures and their consequences, and (3) lessen the likelihood of failures that might cause harm and take appropriate actions. You agree that prior to using or distributing any applications that include TI products, you will thoroughly test such applications and the functionality of such TI products as used in such applications. TI has not conducted any testing other than that specifically described in the published documentation for a particular TI Resource.

You are authorized to use, copy and modify any individual TI Resource only in connection with the development of applications that include the TI product(s) identified in such TI Resource. NO OTHER LICENSE, EXPRESS OR IMPLIED, BY ESTOPPEL OR OTHERWISE TO ANY OTHER TI INTELLECTUAL PROPERTY RIGHT, AND NO LICENSE TO ANY TECHNOLOGY OR INTELLECTUAL PROPERTY RIGHT OF TI OR ANY THIRD PARTY IS GRANTED HEREIN, including but not limited to any patent right, copyright, mask work right, or other intellectual property right relating to any combination, machine, or process in which TI products or services are used. Information regarding or referencing third-party products or services does not constitute a license to use such products or services, or a warranty or endorsement thereof. Use of TI Resources may require a license from a third party under the patents or other intellectual property of the third party, or a license from TI under the patents or other intellectual property of TI.

TI RESOURCES ARE PROVIDED "AS IS" AND WITH ALL FAULTS. TI DISCLAIMS ALL OTHER WARRANTIES OR REPRESENTATIONS, EXPRESS OR IMPLIED, REGARDING TI RESOURCES OR USE THEREOF, INCLUDING BUT NOT LIMITED TO ACCURACY OR COMPLETENESS, TITLE, ANY EPIDEMIC FAILURE WARRANTY AND ANY IMPLIED WARRANTIES OF MERCHANTABILITY, FITNESS FOR A PARTICULAR PURPOSE, AND NON-INFRINGEMENT OF ANY THIRD PARTY INTELLECTUAL PROPERTY RIGHTS.

TI SHALL NOT BE LIABLE FOR AND SHALL NOT DEFEND OR INDEMNIFY YOU AGAINST ANY CLAIM, INCLUDING BUT NOT LIMITED TO ANY INFRINGEMENT CLAIM THAT RELATES TO OR IS BASED ON ANY COMBINATION OF PRODUCTS EVEN IF DESCRIBED IN TI RESOURCES OR OTHERWISE. IN NO EVENT SHALL TI BE LIABLE FOR ANY ACTUAL, DIRECT, SPECIAL, COLLATERAL, INDIRECT, PUNITIVE, INCIDENTAL, CONSEQUENTIAL OR EXEMPLARY DAMAGES IN CONNECTION WITH OR ARISING OUT OF TI RESOURCES OR USE THEREOF, AND REGARDLESS OF WHETHER TI HAS BEEN ADVISED OF THE POSSIBILITY OF SUCH DAMAGES.

You agree to fully indemnify TI and its representatives against any damages, costs, losses, and/or liabilities arising out of your non-compliance with the terms and provisions of this Notice.

This Notice applies to TI Resources. Additional terms apply to the use and purchase of certain types of materials, TI products and services. These include; without limitation, TI's standard terms for semiconductor products (<http://www.ti.com/sc/docs/stdterms.htm>), [evaluation modules](#), and [samples](http://www.ti.com/sc/docs/sampterm.htm) (<http://www.ti.com/sc/docs/sampterm.htm>).

Mailing Address: Texas Instruments, Post Office Box 655303, Dallas, Texas 75265
Copyright © 2017, Texas Instruments Incorporated