

TPS22860 超低泄漏电流负载开关

1 特性

- 集成单通道负载开关
- 偏置电压范围 (V_{BIAS}): 1.65V 至 5.5V
- 输入电压范围: 0V 至 V_{BIAS}
- 导通电阻 (R_{ON})
 - $V_{IN} = 5V$ ($V_{BIAS} = 5V$) 时, $R_{ON} = 0.73\Omega$
 - $V_{IN} = 3.3V$ ($V_{BIAS} = 5V$) 时, $R_{ON} = 0.68\Omega$
 - $V_{IN} = 1.8V$ ($V_{BIAS} = 5V$) 时, $R_{ON} = 0.63\Omega$
- 200mA 最大持续开关电流
- 超低泄漏电流
 - V_{IN} 泄漏电流 = 2nA
 - V_{BIAS} 泄漏电流 (5.5V 时) = 10nA
- 6 引脚小外形尺寸晶体管 (SOT)-23 封装或 SC70 封装
- 静电放电 (ESD) 性能经测试符合 JESD 22 规范
 - 2kV 人体放电模式 (HBM) 和 1kV 组件充电模式 (CDM)

2 应用

- 可穿戴产品
- 物联网
- 无线传感器网络

3 说明

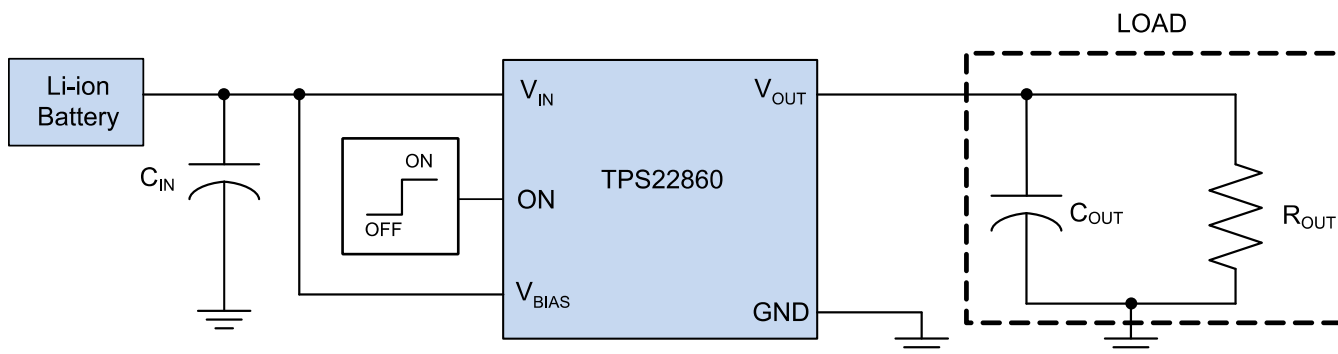
TPS22968 是一款小型、超低泄漏电流、单通道负载开关。该器件需要一个 V_{BIAS} 电压，工作输入电压范围为 0V 至 V_{BIAS} 。它可支持最大 200mA 的持续电流。此开关可由一个打开/关闭输入 (ON) 控制，此输入可与低压控制信号直接对接。TPS22860 采用两种节省空间的 6 引脚 SOT-23 和 SC70 小型封装。器件在自然通风环境下的额定运行温度范围为 -40°C 至 85°C 。

器件信息⁽¹⁾

器件型号	封装	封装尺寸 (标称值)
TPS22860	SOT-23	2.80 x 2.90mm
	SC-70	2.10 x 2.00mm

(1) 要了解所有可用封装，请见数据表末尾的可订购产品附录。

4 常见应用电路原理图



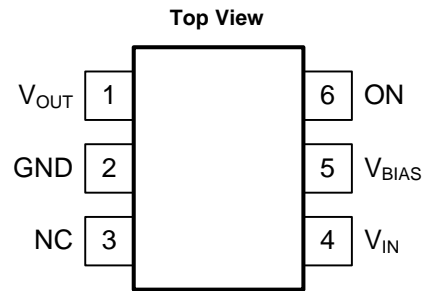
目录

1	特性	1	8.3	Feature Description	7
2	应用	1	8.4	Device Functional Modes	7
3	说明	1	9	Application and Implementation	8
4	常见应用电路原理图	1	9.1	Application Information	8
5	修订历史记录	2	9.2	Typical Application	8
6	Pin Configuration and Functions	3	10	Power Supply Recommendations	9
7	Specifications	3	11	Layout	10
7.1	Absolute Maximum Ratings	3	11.1	Layout Guidelines	10
7.2	ESD Ratings	3	11.2	Thermal Reliability	10
7.3	Recommended Operating Conditions	4	11.3	Improving Package Thermal Performance	10
7.4	Thermal Information	4	11.4	Layout Example	10
7.5	Electrical Characteristics	4	12	器件和文档支持	11
7.6	Switching Characteristics	4	12.1	商标	11
7.7	Typical Characteristics	5	12.2	静电放电警告	11
8	Detailed Description	7	12.3	术语表	11
8.1	Overview	7	13	机械、封装和可订购信息	11
8.2	Functional Block Diagram	7			

5 修订历史记录

日期	修订版本	注释
2015 年 4 月	*	首次发布。

6 Pin Configuration and Functions



Pin Functions

PIN		I/O	DESCRIPTION
NAME	NO.		
V _{OUT}	1	O	Switch output.
GND	2	—	Ground
NC	3	—	No connect
V _{IN}	4	I	Switch input. Connect a ceramic capacitor from V _{IN} to GND.
V _{BIAS}	5	I	Bias voltage. Power supply to the device.
ON	6	I	Active high switch control input. Do not leave floating.

7 Specifications

7.1 Absolute Maximum Ratings

over operating free-air temperature range (unless otherwise noted) ⁽¹⁾

		MIN	MAX	UNIT ⁽²⁾
V _{BIAS}	BIAS voltage range	−0.5	6.5	V
V _{IN}	Input voltage range	−0.5	V _{BIAS} + 0.5	V
V _{OUT}	Output voltage range	−0.5	V _{BIAS} + 0.5	V
V _{ON}	Input voltage range	−0.5	6.5	V
I _{MAX}	Maximum Continuous Switch Current		200	mA
I _{PLS}	Maximum Pulsed Switch Current, pulse <300us, 2% duty cycle		400	mA
T _A	Operating free-air temperature range ⁽³⁾	−40	85	°C
T _J	Maximum junction temperature		125	°C
T _{STG}	Storage temperature	−65	150	°C

- (1) Stresses beyond those listed under *Absolute Maximum Ratings* may cause permanent damage to the device. These are stress ratings only, which do not imply functional operation of the device at these or any other conditions beyond those indicated under *Recommended Operating Conditions*. Exposure to absolute-maximum-rated conditions for extended periods may affect device reliability.
- (2) All voltage values are with respect to network ground terminal.
- (3) In applications where high power dissipation and/or poor package thermal resistance is present, the maximum ambient temperature may have to be derated. Maximum ambient temperature [T_{A(max)}] is dependent on the maximum operating junction temperature [T_{J(max)}], the maximum power dissipation of the device in the application [P_{D(max)}], and the junction-to-ambient thermal resistance of the part/package in the application (θ_{JA}), as given by the following equation: T_{A(max)} = T_{J(max)} − (MJA × P_{D(max)})

7.2 ESD Ratings

		VALUE	UNIT
V _(ESD)	Electrostatic discharge		
	Human-body model (HBM), per ANSI/ESDA/JEDEC JS-001 ⁽¹⁾	2000	V
Charged-device model (CDM), per JEDEC specification JESD22-C101 ⁽²⁾	1000		

- (1) JEDEC document JEP155 states that 500-V HBM allows safe manufacturing with a standard ESD control process. Manufacturing with less than 500-V HBM is possible with the necessary precautions.
- (2) JEDEC document JEP157 states that 250-V CDM allows safe manufacturing with a standard ESD control process. Manufacturing with less than 250-V CDM is possible with the necessary precautions.

7.3 Recommended Operating Conditions

over operating free-air temperature range (unless otherwise noted)

		MIN	NOM	MAX	UNIT
V _{IN}	Input voltage range	0		V _{BIAS}	V
V _{BIAS}	Supply voltage range	1.65		5.5	V
V _{ON}	Control input voltage range	0		5.5	V
V _{OUT}	Output voltage range	0		V _{BIAS}	V
V _{IH, ON}	High-level input voltage, ON	V _{BIAS} = 5 V		5.5	V
V _{IL, ON}	Low-level input voltage, ON	V _{BIAS} = 5 V		0.8	V
C _{IN}	Input Capacitor	1			μF

7.4 Thermal Information

THERMAL METRIC ⁽¹⁾⁽²⁾		TPS22860		UNIT
		DBV	DCK	
		6 PINS	6 PINS	
R _{θJA}	Junction-to-ambient thermal resistance	235.2	249.0	°C/W
R _{θJC(top)}	Junction-to-case (top) thermal resistance	164.8	107.7	
R _{θJB}	Junction-to-board thermal resistance	82.5	95.8	
ψ _{JT}	Junction-to-top characterization parameter	52.9	6.2	
ψ _{JB}	Junction-to-board characterization parameter	82.0	93.7	

- (1) For more information about traditional and new thermal metrics, see the *IC Package Thermal Metrics* application report, [SPRA953](#).
 (2) For thermal estimates of this device based on PCB copper area, see the [TI PCB Thermal Calculator](#).

7.5 Electrical Characteristics

 over operating free-air temperature range⁽¹⁾ (unless otherwise noted)

PARAMETER	TEST CONDITIONS		MIN	TYP	MAX	UNIT		
POWER SUPPLIES AND CURRENTS								
I _{Q, VBIAS}	V _{BIAS} quiescent current	I _{OUT} = 0, V _{IN} = V _{ON} = V _{BIAS} = 3.3 V		10	100	nA		
I _{SD, VBIAS}	V _{BIAS} shutdown current	V _{ON} = 0 V		10	100			
I _{SD, VIN}	V _{IN} shutdown current	V _{ON} = 0 V, V _{OUT} = 1 V, V _{IN} = 3.0 V		2	50			
I _{ON}	ON pin input leakage current	V _{ON} = 5.5 V			100			
RESISTANCE CHARACTERISTICS								
R _{ON}	ON-state resistance	I _{OUT} = -100 mA, V _{BIAS} = 3.3 V	V _{IN} = 3.3 V	T _A = 25°C	0.92	1.15	Ω	
				Full T _A		1.31		
			V _{IN} = 2 V	T _A = 25°C		1.2		1.5
				Full T _A				1.7
V _{IN} = 1.8 V	T _A = 25°C		0.95	1.2				
	Full T _A			1.35				

- (1) Over the operating ambient temp -40°C ≤ T_A ≤ 85°C (full) and V_{BIAS} = 3.3V. Typical values are for T_A = 25°C. (unless otherwise noted)

7.6 Switching Characteristics

 over operating free-air temperature range⁽¹⁾ (unless otherwise noted)

PARAMETER	TEST CONDITIONS		MIN	TYP	MAX	UNIT
t _{ON}	V _{OUT} = V _{BIAS} , R _L = 50 Ω, C _L = 35 pF	T _A = 25°C, V _{BIAS} = 3.3 V	2	4.5	13	ns
		Full T _A , V _{BIAS} = 3 V to 3.6 V	1		15	
t _{OFF}	V _{OUT} = V _{BIAS} , R _L = 50 Ω, C _L = 35 pF	T _A = 25°C, V _{BIAS} = 3.3 V	3	9	15	ns
		Full T _A , V _{BIAS} = 3 V to 3.6 V	2		20	
t _{ON/OFF}	ON/OFF delay time		See Figure 9			

- (1) V_{IN} = V_{ON} = V_{BIAS} = 5V, T_A = 25°C

7.7 Typical Characteristics

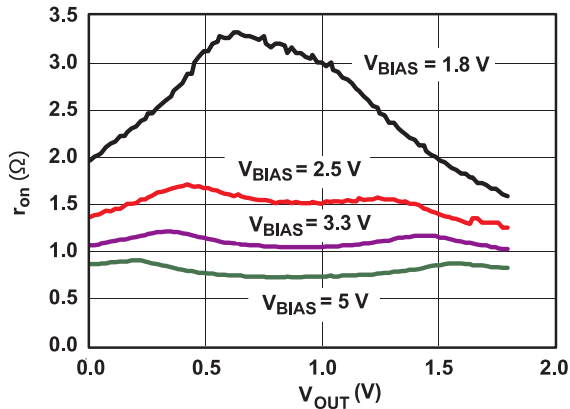


Figure 1. r_{on} vs V_{OUT}

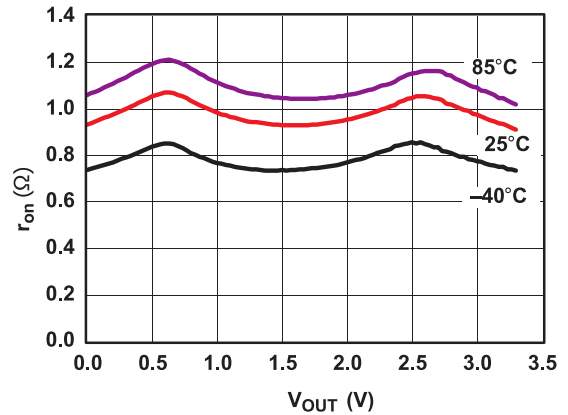


Figure 2. r_{on} vs V_{OUT} ($V_{BIAS} = 3.3$ V)

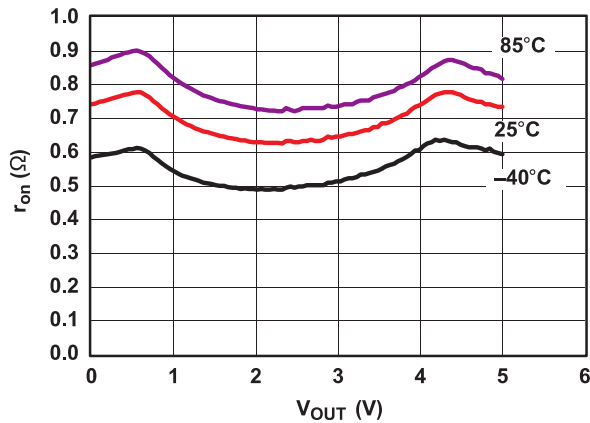


Figure 3. r_{on} vs V_{OUT} ($V_{BIAS} = 5$ V)

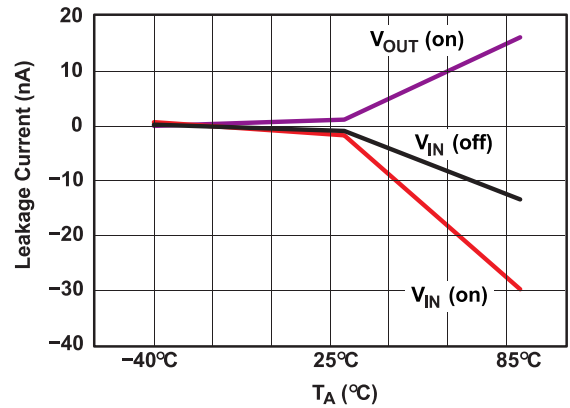


Figure 4. Leakage Current vs Temperature ($V_{BIAS} = 5.5$ V)

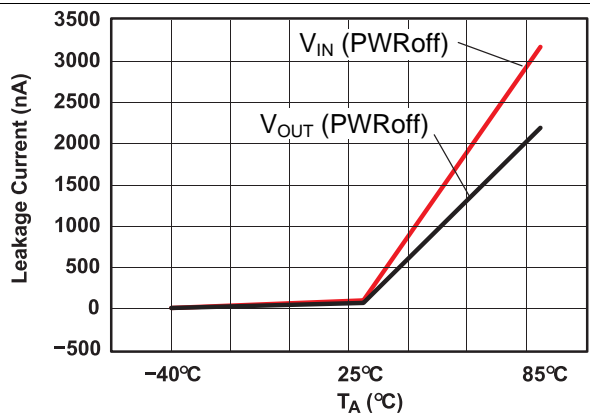


Figure 5. Leakage Current vs Temperature ($V_{BIAS} = 5$ V)

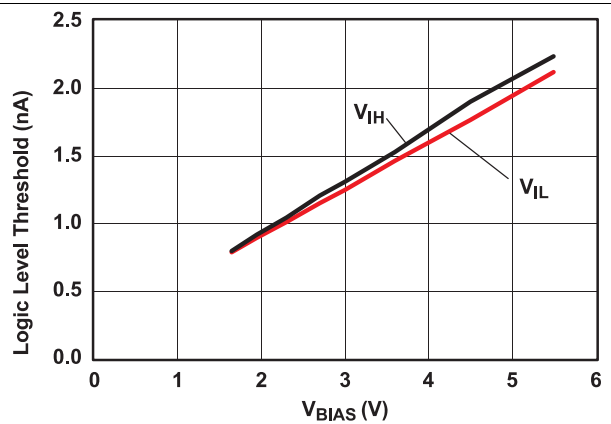


Figure 6. Logic-Level Threshold vs V_{BIAS}

Typical Characteristics (continued)

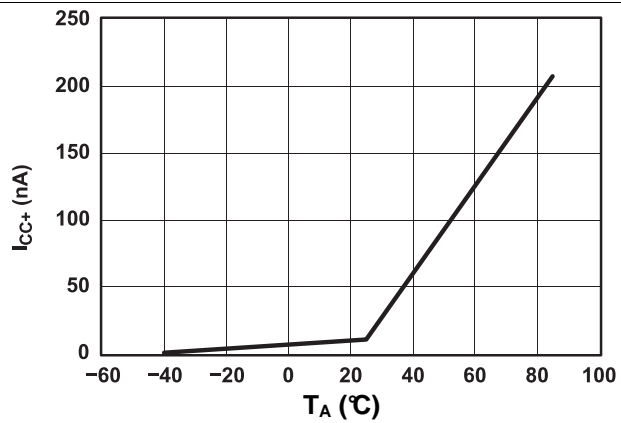


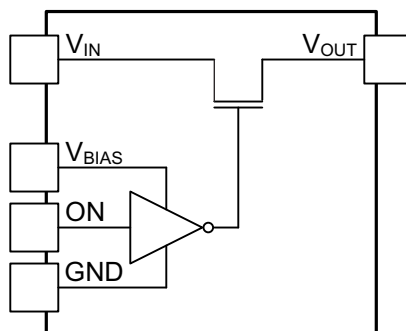
Figure 7. Power-Supply Current vs Temperature
($V_{BIAS} = 5\text{ V}$)

8 Detailed Description

8.1 Overview

The TPS22860 is a small, ultra-low leakage current, single channel bi-directional load switch. The device requires a V_{BIAS} voltage and can operate over an input voltage range of 0 V to V_{BIAS} . It can support a maximum continuous current of 200 mA. The switch is controlled by an on/off input (ON), which is capable of interfacing directly with low-voltage control signals. The TPS22860 is available in two small, space-saving 6-pin SOT-23 and SC70 packages. The device is characterized for operation over the free-air temperature range of -40°C to 85°C .

8.2 Functional Block Diagram



8.3 Feature Description

8.3.1 ON/OFF Control

The ON input controls the load switch with positive logic.

8.3.2 Pass Transistor

The TPS22860 supports up to 200-mA current flow in either direction. R_{ON} is dependent on V_{BIAS} as shown in [Figure 1](#), [Figure 2](#), and [Figure 3](#).

8.4 Device Functional Modes

Table 1. Functional Table

ON	V_{IN} to V_{OUT}
L	Off
H	On

9 Application and Implementation

NOTE

Information in the following applications sections is not part of the TI component specification, and TI does not warrant its accuracy or completeness. TI's customers are responsible for determining suitability of components for their purposes. Customers should validate and test their design implementation to confirm system functionality.

9.1 Application Information

This section will highlight some of the design considerations when implementing this device in a common application.

9.2 Typical Application

The TPS22860 IC is a high side load switch. The TPS22860 internal components are rated for 1.65-V to 5.5-V supply and support up to 200 mA of load current. The TPS22860 can be used in a variety of applications. [Figure 8](#) below shows a general application of TPS22860 to control the load inrush current.

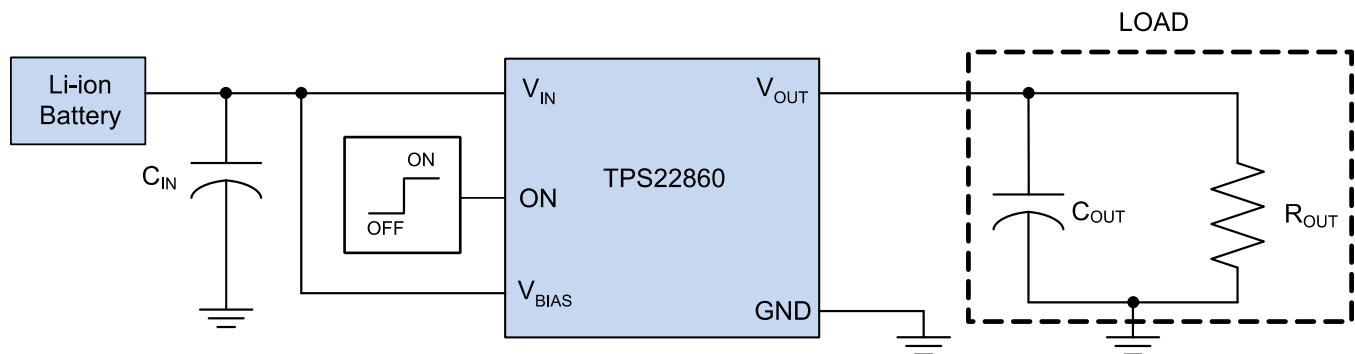


Figure 8. Standard Load Switching Application

9.2.1 Design Requirements

Table 2. Component Table

COMPONENT	DESCRIPTION
C_{IN}	Input capacitance ⁽¹⁾
LOAD	Load resistance and capacitance will affect the output rise time

(1) Required for load inrush current (slew rate) control

9.2.2 Detailed Design Procedure

9.2.2.1 Inrush Current

To limit the voltage drop on the input supply caused by transient inrush currents when the switch turns on into a discharged load capacitor, a capacitor must be placed between V_{IN} and GND. A 1- μF ceramic capacitor, C_{IN} , placed close to the pins, is usually sufficient. Higher values of C_{IN} can be used to further reduce the voltage drop during high-current applications. When switching heavy loads, TI recommends to have an input capacitor about 10x higher than the output capacitor to avoid excessive voltage drop. Do not float the ON pin.

9.2.2.2 ON/OFF Interface

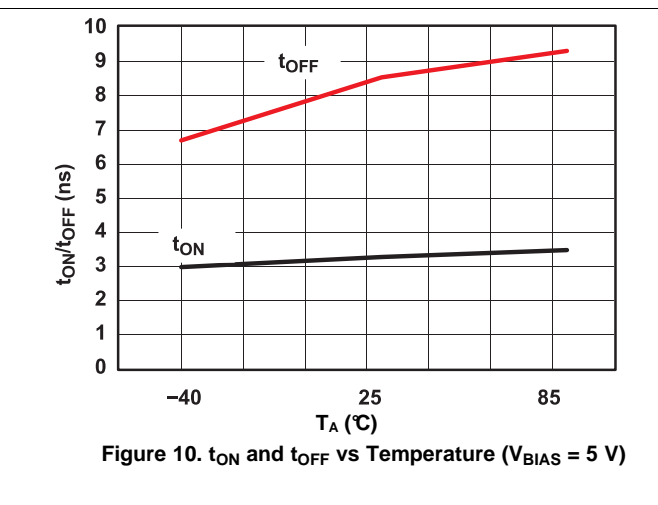
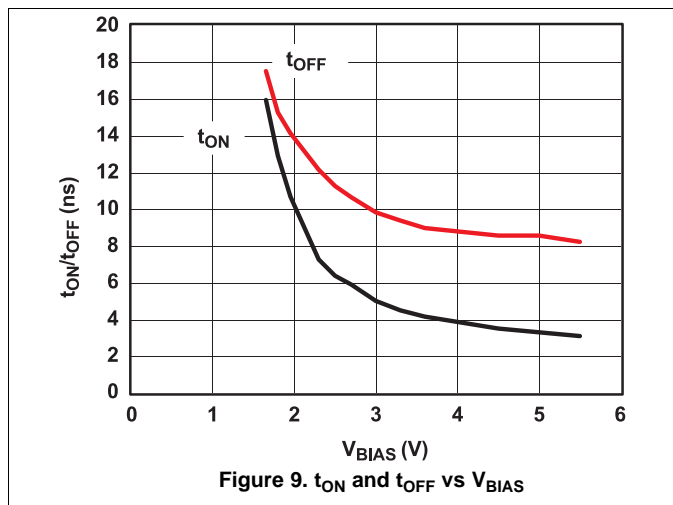
The load switch is controlled by the voltage at the ON pin. To turn ON, the input voltage must be larger than V_{IH} and to turn off the voltage must be below V_{IL} .

In applications where an ON/OFF signal is not available, connect ON pin to V_{IN} . The TPS22860 will turn ON/OFF in sync with the input supply connected to V_{IN} .

NOTE

Connect a pull down resistor from the ON pin to GND when the ON/OFF signal is driven by a high-impedance (tri-state) driver.

9.2.3 Application Curves



10 Power Supply Recommendations

The device is designed to operate from a V_{IN} range of 1.65 V to 5.5 V. This supply must be well regulated and placed as close to the device terminal as possible with the recommended 1- μF bypass capacitor. If the supply is located more than a few inches from the device terminals, additional bulk capacitance may be required in addition to the ceramic bypass capacitors. If additional bulk capacitance is required, an electrolytic, tantalum, or ceramic capacitor of 1 μF may be sufficient.

11 Layout

11.1 Layout Guidelines

For best operational performance of the device, use good PCB layout practices, including:

- V_{IN} and V_{OUT} traces should be as short and wide as possible to accommodate for high current.
- The V_{IN} pin should be bypassed to ground with low ESR ceramic bypass capacitors. The typical recommended bypass capacitance is 1- μ F ceramic with X5R or X7R dielectric. This capacitor should be placed as close to the device pins as possible.
- The V_{OUT} pin should be bypassed to ground with low ESR ceramic bypass capacitors. The typical recommended bypass capacitance is one-tenth of the V_{IN} bypass capacitor of X5R or X7R dielectric rating. This capacitor should be placed as close to the device pins as possible.

11.2 Thermal Reliability

For higher reliability it is recommended to limit TPS22860 IC's die junction temperature to less than 105°C. The IC junction temperature is directly proportional to the on-chip power dissipation. Use the following equation to calculate maximum on-chip power dissipation to achieve the maximum die junction temperature target:

$$PD_{(MAX)} = \frac{(T_{J(MAX)} - T_A)}{\theta_{JA}}$$

Where:

$T_{J(MAX)}$ is the target maximum junction temperature.

T_A is the operating ambient temperature.

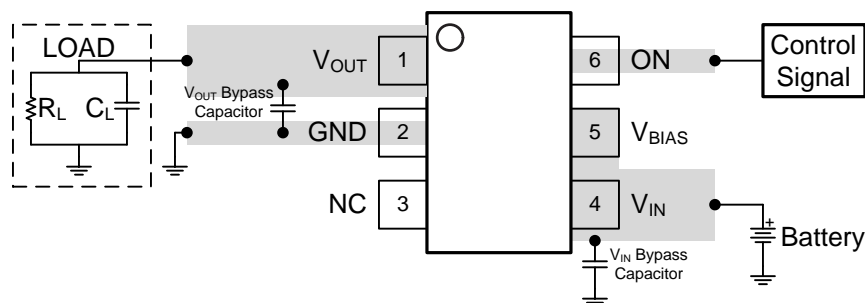
$R_{\theta JA}$ is the package junction to ambient thermal resistance.

(1)

11.3 Improving Package Thermal Performance

The package $R_{\theta JA}$ value under standard conditions on a High-K board is listed in the [Thermal Information](#) table. $R_{\theta JA}$ value depends on the PC board layout. An external heat sink and/or a cooling mechanism, like a cold air fan, can help reduce $R_{\theta JA}$ and thus improve device thermal capabilities. Refer to TI's design support web page at www.ti.com/thermal for a general guidance on improving device thermal performance.

11.4 Layout Example



⊥ Indicates connection to ground plane

Figure 11. Basic PCB Layout

12 器件和文档支持

12.1 商标

All trademarks are the property of their respective owners.

12.2 静电放电警告



这些装置包含有限的内置 ESD 保护。存储或装卸时，应将导线一起截短或将装置放置于导电泡棉中，以防止 MOS 门极遭受静电损伤。

12.3 术语表

[SLYZ022](#) — TI 术语表。

这份术语表列出并解释术语、首字母缩略词和定义。

13 机械、封装和可订购信息

以下页中包括机械、封装和可订购信息。 这些信息是针对指定器件可提供的最新数据。 这些数据会在无通知且不
对本文档进行修订的情况下发生改变。 欲获得该数据表的浏览器版本，请查阅左侧的导航栏。

重要声明

德州仪器(TI)及其下属子公司有权根据 JESD46 最新标准,对所提供的产品和服务进行更正、修改、增强、改进或其它更改,并有权根据 JESD48 最新标准中止提供任何产品和服务。客户在下订单前应获取最新的相关信息,并验证这些信息是否完整且是最新的。所有产品的销售都遵循在订单确认时所提供的TI 销售条款与条件。

TI 保证其所销售的组件的性能符合产品销售时 TI 半导体产品销售条件与条款的适用规范。仅在 TI 保证的范围内,且 TI 认为有必要时才会使用测试或其它质量控制技术。除非适用法律做出了硬性规定,否则没有必要对每种组件的所有参数进行测试。

TI 对应用帮助或客户产品设计不承担任何义务。客户应对其使用 TI 组件的产品和应用自行负责。为尽量减小与客户产品和应用相关的风险,客户应提供充分的设计与操作安全措施。

TI 不对任何 TI 专利权、版权、屏蔽作品权或其它与使用了 TI 组件或服务的组合设备、机器或流程相关的 TI 知识产权中授予的直接或隐含权限作出任何保证或解释。TI 所发布的与第三方产品或服务有关的信息,不能构成从 TI 获得使用这些产品或服务的许可、授权、或认可。使用此类信息可能需要获得第三方的专利权或其它知识产权方面的许可,或是 TI 的专利权或其它知识产权方面的许可。

对于 TI 的产品手册或数据表中 TI 信息的重要部分,仅在没有对内容进行任何篡改且带有相关授权、条件、限制和声明的情况下才允许进行复制。TI 对此类篡改过的文件不承担任何责任或义务。复制第三方的信息可能需要服从额外的限制条件。

在转售 TI 组件或服务时,如果对该组件或服务参数的陈述与 TI 标明的参数相比存在差异或虚假成分,则会失去相关 TI 组件或服务的所有明示或暗示授权,且这是不正当的、欺诈性商业行为。TI 对任何此类虚假陈述均不承担任何责任或义务。

客户认可并同意,尽管任何应用相关信息或支持仍可能由 TI 提供,但他们将独立负责满足与其产品及其在应用中使用的 TI 产品相关的所有法律、法规和安全相关要求。客户声明并同意,他们具备制定与实施安全措施所需的全部专业技术和知识,可预见故障的危险后果、监测故障及其后果、降低有可能造成人身伤害的故障的发生机率并采取适当的补救措施。客户将全额赔偿因在此类安全关键应用中使用任何 TI 组件而对 TI 及其代理造成的任何损失。

在某些场合中,为了推进安全相关应用有可能对 TI 组件进行特别的促销。TI 的目标是利用此类组件帮助客户设计和创立其特有的可满足适用的功能安全性标准和要求的终端产品解决方案。尽管如此,此类组件仍然服从这些条款。

TI 组件未获得用于 FDA Class III (或类似的生命攸关医疗设备)的授权许可,除非各方授权官员已经达成了专门管控此类使用的特别协议。

只有那些 TI 特别注明属于军用等级或“增强型塑料”的 TI 组件才是设计或专门用于军事/航空应用或环境的。购买者认可并同意,对并非指定面向军事或航空航天用途的 TI 组件进行军事或航空航天方面的应用,其风险由客户单独承担,并且由客户独立负责满足与此类使用相关的所有法律和法规要求。

TI 已明确指定符合 ISO/TS16949 要求的产品,这些产品主要用于汽车。在任何情况下,因使用非指定产品而无法达到 ISO/TS16949 要求, TI 不承担任何责任。

	产品		应用
数字音频	www.ti.com.cn/audio	通信与电信	www.ti.com.cn/telecom
放大器和线性器件	www.ti.com.cn/amplifiers	计算机及周边	www.ti.com.cn/computer
数据转换器	www.ti.com.cn/dataconverters	消费电子	www.ti.com.cn/consumer-apps
DLP® 产品	www.dlp.com	能源	www.ti.com.cn/energy
DSP - 数字信号处理器	www.ti.com.cn/dsp	工业应用	www.ti.com.cn/industrial
时钟和计时器	www.ti.com.cn/clockandtimers	医疗电子	www.ti.com.cn/medical
接口	www.ti.com.cn/interface	安防应用	www.ti.com.cn/security
逻辑	www.ti.com.cn/logic	汽车电子	www.ti.com.cn/automotive
电源管理	www.ti.com.cn/power	视频和影像	www.ti.com.cn/video
微控制器 (MCU)	www.ti.com.cn/microcontrollers		
RFID 系统	www.ti.com.cn/rfidsys		
OMAP应用处理器	www.ti.com/omap		
无线连通性	www.ti.com.cn/wirelessconnectivity	德州仪器在线技术支持社区	www.deyisupport.com

邮寄地址: 上海市浦东新区世纪大道1568号, 中建大厦32楼邮政编码: 200122
Copyright © 2015, 德州仪器半导体技术(上海)有限公司

PACKAGING INFORMATION

Orderable Device	Status (1)	Package Type	Package Drawing	Pins	Package Qty	Eco Plan (2)	Lead/Ball Finish (6)	MSL Peak Temp (3)	Op Temp (°C)	Device Marking (4/5)	Samples
TPS22860DBVR	ACTIVE	SOT-23	DBV	6	3000	Green (RoHS & no Sb/Br)	CU NIPDAU	Level-1-260C-UNLIM	-40 to 85	ZFNR	Samples

(1) The marketing status values are defined as follows:

ACTIVE: Product device recommended for new designs.

LIFEBUY: TI has announced that the device will be discontinued, and a lifetime-buy period is in effect.

NRND: Not recommended for new designs. Device is in production to support existing customers, but TI does not recommend using this part in a new design.

PREVIEW: Device has been announced but is not in production. Samples may or may not be available.

OBSELETE: TI has discontinued the production of the device.

(2) Eco Plan - The planned eco-friendly classification: Pb-Free (RoHS), Pb-Free (RoHS Exempt), or Green (RoHS & no Sb/Br) - please check <http://www.ti.com/productcontent> for the latest availability information and additional product content details.

TBD: The Pb-Free/Green conversion plan has not been defined.

Pb-Free (RoHS): TI's terms "Lead-Free" or "Pb-Free" mean semiconductor products that are compatible with the current RoHS requirements for all 6 substances, including the requirement that lead not exceed 0.1% by weight in homogeneous materials. Where designed to be soldered at high temperatures, TI Pb-Free products are suitable for use in specified lead-free processes.

Pb-Free (RoHS Exempt): This component has a RoHS exemption for either 1) lead-based flip-chip solder bumps used between the die and package, or 2) lead-based die adhesive used between the die and leadframe. The component is otherwise considered Pb-Free (RoHS compatible) as defined above.

Green (RoHS & no Sb/Br): TI defines "Green" to mean Pb-Free (RoHS compatible), and free of Bromine (Br) and Antimony (Sb) based flame retardants (Br or Sb do not exceed 0.1% by weight in homogeneous material)

(3) MSL, Peak Temp. - The Moisture Sensitivity Level rating according to the JEDEC industry standard classifications, and peak solder temperature.

(4) There may be additional marking, which relates to the logo, the lot trace code information, or the environmental category on the device.

(5) Multiple Device Markings will be inside parentheses. Only one Device Marking contained in parentheses and separated by a "~" will appear on a device. If a line is indented then it is a continuation of the previous line and the two combined represent the entire Device Marking for that device.

(6) Lead/Ball Finish - Orderable Devices may have multiple material finish options. Finish options are separated by a vertical ruled line. Lead/Ball Finish values may wrap to two lines if the finish value exceeds the maximum column width.

Important Information and Disclaimer: The information provided on this page represents TI's knowledge and belief as of the date that it is provided. TI bases its knowledge and belief on information provided by third parties, and makes no representation or warranty as to the accuracy of such information. Efforts are underway to better integrate information from third parties. TI has taken and continues to take reasonable steps to provide representative and accurate information but may not have conducted destructive testing or chemical analysis on incoming materials and chemicals. TI and TI suppliers consider certain information to be proprietary, and thus CAS numbers and other limited information may not be available for release.

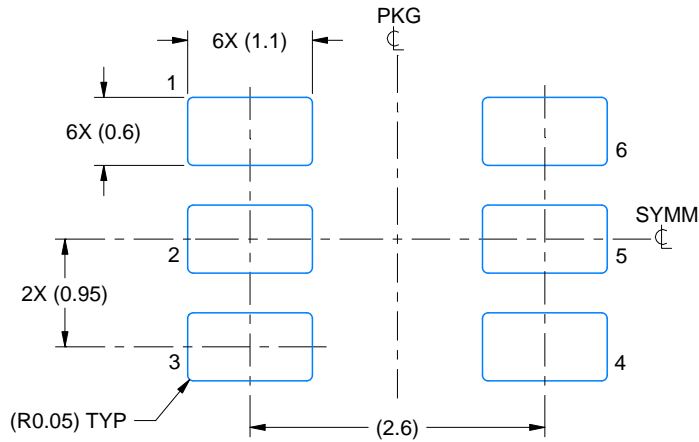
In no event shall TI's liability arising out of such information exceed the total purchase price of the TI part(s) at issue in this document sold by TI to Customer on an annual basis.

EXAMPLE BOARD LAYOUT

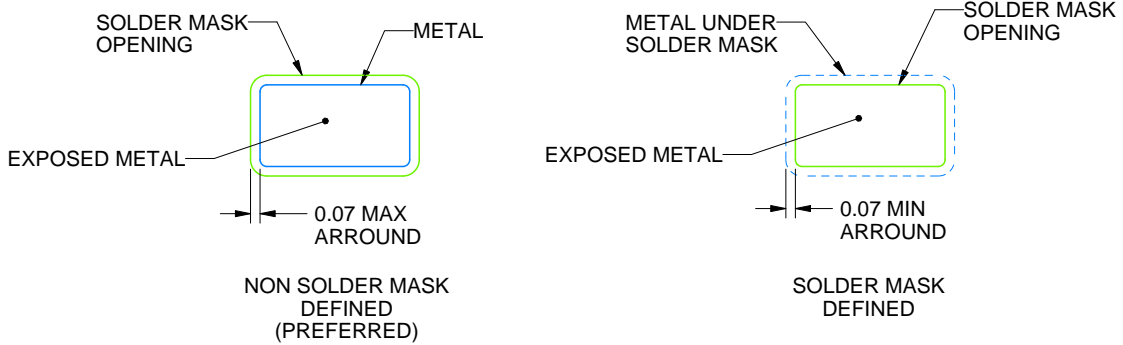
DBV0006A

SOT-23 - 1.45 mm max height

SMALL OUTLINE TRANSISTOR



LAND PATTERN EXAMPLE
EXPOSED METAL SHOWN
SCALE:15X



SOLDER MASK DETAILS

4214840/B 03/2018

NOTES: (continued)

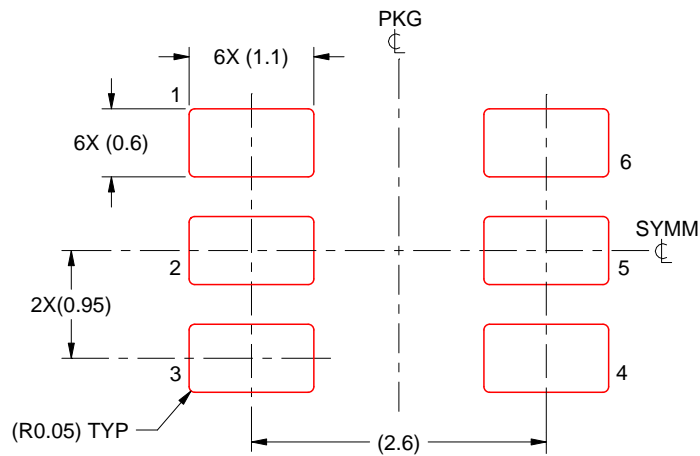
- 6. Publication IPC-7351 may have alternate designs.
- 7. Solder mask tolerances between and around signal pads can vary based on board fabrication site.

EXAMPLE STENCIL DESIGN

DBV0006A

SOT-23 - 1.45 mm max height

SMALL OUTLINE TRANSISTOR



SOLDER PASTE EXAMPLE
BASED ON 0.125 mm THICK STENCIL
SCALE:15X

4214840/B 03/2018

NOTES: (continued)

8. Laser cutting apertures with trapezoidal walls and rounded corners may offer better paste release. IPC-7525 may have alternate design recommendations.
9. Board assembly site may have different recommendations for stencil design.

重要声明和免责声明

TI 均以“原样”提供技术性数据（包括数据表）、设计资源（包括参考设计）、应用或其他设计建议、网络工具、安全信息和其他资源，不保证其中不含任何瑕疵，且不做任何明示或暗示的担保，包括但不限于对适销性、适合某特定用途或不侵犯任何第三方知识产权的暗示担保。

所述资源可供专业开发人员应用TI 产品进行设计使用。您将对以下行为独自承担全部责任：(1) 针对您的应用选择合适的TI 产品；(2) 设计、验证并测试您的应用；(3) 确保您的应用满足相应标准以及任何其他安全、安保或其他要求。所述资源如有变更，恕不另行通知。TI 对您使用所述资源的授权仅限于开发资源所涉及TI 产品的相关应用。除此之外不得复制或展示所述资源，也不提供其它TI 或任何第三方的知识产权授权许可。如因使用所述资源而产生任何索赔、赔偿、成本、损失及债务等，TI 对此概不负责，并且您须赔偿由此对TI 及其代表造成的损害。

TI 所提供产品均受TI 的销售条款 (<http://www.ti.com.cn/zh-cn/legal/termsofsale.html>) 以及ti.com.cn上或随附TI产品提供的其他可适用条款的约束。TI提供所述资源并不扩展或以其他方式更改TI 针对TI 产品所发布的可适用的担保范围或担保免责声明。

邮寄地址：上海市浦东新区世纪大道 1568 号中建大厦 32 楼，邮政编码：200122
Copyright © 2019 德州仪器半导体技术（上海）有限公司