

适用于汽车内部显示的 DLP5530-Q1 0.55 英寸 130 万像素 DMD

1 特性

- 符合汽车类应用要求
 - DMD 阵列工作温度范围 -40°C 至 105°C
- DLP5530-Q1 汽车芯片组包括：
 - DLP5530-Q1 DMD
 - DLPC230-Q1 DMD 控制器
 - 系统管理和照明控制器
- 0.55 英寸对角线微镜阵列
 - 7.6µm 微镜间距
 - ±12° 微镜倾斜角（相对于平面）
 - 底部照明，实现最优的效率和光学引擎尺寸
 - 支持 1152 × 576 输入分辨率
 - 与 LED 或激光照明兼容
- 600MHz sub-LVDS DMD 接口，可实现低功耗和低排放
- 温度极值下 DMD 刷新率为 10kHz
- DMD 存储器单元的内置自检

2 应用

- 宽视场和增强现实平视显示 (HUD)
- 波导和全息薄膜显示

3 说明

DLP5530-Q1 汽车 DMD 与 DLPC230-Q1 DMD 控制器、TPS99000-Q1 系统管理和照明控制器结合使用，能够实现高性能增强现实 HUD。采用 2:1 宽高比，支持超宽宽高比设计；具有 130 万像素分辨率，可在 HUD 应用中实现视网膜受限显示。DLP5530-Q1 的光通量是前代 DLP3030-Q1 汽车 DMD 的 3 倍以上，能够获得更宽广的视场和更大的驾驶员眼动范围，增强用户的使用体验。该芯片组耦合了 LED 和光学系统，能够获得更饱满的 125% NTSC 色彩、超过 15,000cd/m² 的超高亮度、超过 5000:1 的高动态调光比以及太阳能高负载容差。DLP5530-Q1 汽车 DMD 微镜阵列针对底部照明而配置，可实现更高效以及更紧凑的光学引擎设计。S450 封装针对 DMD 阵列而言具有低热阻的特点，可获得更高效的热解决方案。

”

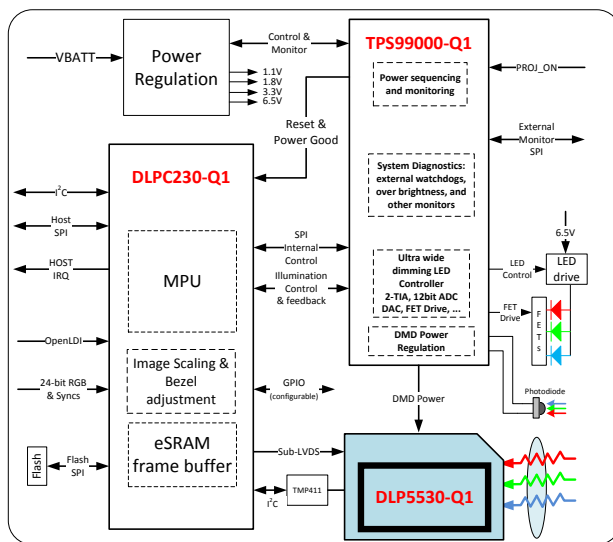
器件信息(1)(2)

器件型号	封装	封装尺寸 (标称值)
DLP5530-Q1	FYK (149)	22.30mm × 32.20mm

(1) 如需了解所有可用封装，请参阅数据表末尾的可订购产品附录。

(2) 本数据表包含了有关此 DMD 在平视显示应用中的规格以及应用。请参阅 DLP5531-Q1 数据表 (DLPS075)，了解有关前照灯规格和应用的信息。

DLP5530-Q1 DLP® 芯片组系统方框图



目录

1	特性	1	7.4	System Optical Considerations	26
2	应用	1	7.5	DMD Image Performance Specification	28
3	说明	1	7.6	Micromirror Array Temperature Calculation	28
4	修订历史记录	2	7.7	Micromirror Landed-On/Landed-Off Duty Cycle	30
5	Pin Configuration and Functions	3	8	Application and Implementation	31
6	Specifications	8	8.1	Application Information	31
6.1	Absolute Maximum Ratings	8	8.2	Typical Application	31
6.2	Storage Conditions	8	9	Power Supply Recommendations	34
6.3	ESD Ratings	8	9.1	Power Supply Power-Up Procedure	34
6.4	Recommended Operating Conditions	9	9.2	Power Supply Power-Down Procedure	34
6.5	Thermal Information	11	9.3	Power Supply Sequencing Requirements	35
6.6	Electrical Characteristics	11	10	Layout	36
6.7	Timing Requirements	12	10.1	Layout Guidelines	36
6.8	Switching Characteristics	16	11	器件和文档支持	37
6.9	System Mounting Interface Loads	17	11.1	器件支持	37
6.10	Physical Characteristics of the Micromirror Array	18	11.2	相关链接	37
6.11	Micromirror Array Optical Characteristics	20	11.3	社区资源	38
6.12	Window Characteristics	20	11.4	商标	38
6.13	Chipset Component Usage Specification	21	11.5	静电放电警告	38
7	Detailed Description	22	11.6	DMD 处理	38
7.1	Overview	22	11.7	Glossary	38
7.2	Functional Block Diagram	23	12	机械、封装和可订购信息	38
7.3	Feature Description	24			

4 修订历史记录

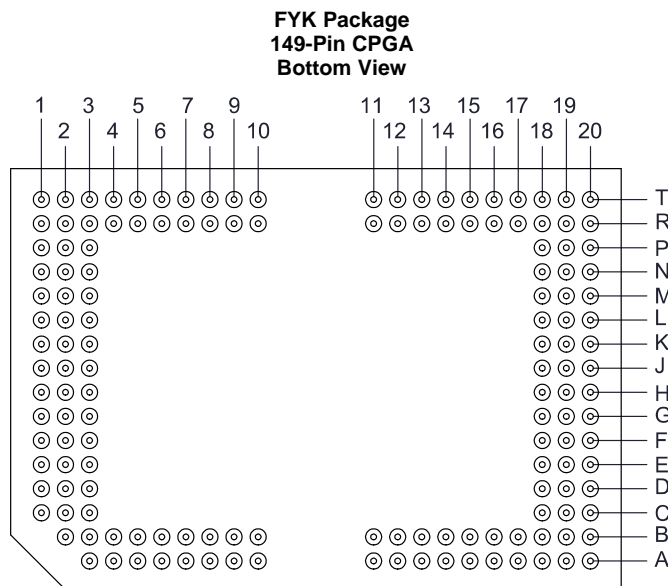
注：之前版本的页码可能与当前版本有所不同。

Changes from Revision E (September 2018) to Revision F	Page
• Added illumination overfill maximum to Recommended Operating Conditions	9
• Changed ILL _{OVERFILL} from total power (mW) to power density (mW/mm ²) in Recommended Operating Conditions	9
• Added pulse duration LS_CLK high to Timing Requirements	12
• Added pulse duration LS_CLK low to Timing Requirements	12
• Added LPSDR setup time to Timing Requirements	12
• Added LPSDR hold time to Timing Requirements	12
• Deleted illumination overfill maximum from Window Characteristics	20

Changes from Revision D (June 2018) to Revision E	Page
• Changed I _{IH} from 100 nA : to 300 nA	12
• Changed t _{WINDOW} to be a minimum rather than a maximum	12

Changes from Revision C (March 2018) to Revision D	Page
• 已更改 将器件状态从“产品预览”更改为“生产数据”	1

5 Pin Configuration and Functions



Pin Functions – Connector Pins

PIN		TYPE	SIGNAL	DATA RATE	DESCRIPTION
NAME	NO.				
DATA INPUTS					
D_AN(0)	L2	I	SubLVDS	Double	Data, Negative
D_AN(1)	K2	I	SubLVDS	Double	Data, Negative
D_AN(2)	J2	I	SubLVDS	Double	Data, Negative
D_AN(3)	H2	I	SubLVDS	Double	Data, Negative
D_AN(4)	F2	I	SubLVDS	Double	Data, Negative
D_AN(5)	E2	I	SubLVDS	Double	Data, Negative
D_AN(6)	D2	I	SubLVDS	Double	Data, Negative
D_AN(7)	C2	I	SubLVDS	Double	Data, Negative
D_AP(0)	L1	I	SubLVDS	Double	Data, Positive
D_AP(1)	K1	I	SubLVDS	Double	Data, Positive
D_AP(2)	J1	I	SubLVDS	Double	Data, Positive
D_AP(3)	H1	I	SubLVDS	Double	Data, Positive
D_AP(4)	F1	I	SubLVDS	Double	Data, Positive
D_AP(5)	E1	I	SubLVDS	Double	Data, Positive
D_AP(6)	D1	I	SubLVDS	Double	Data, Positive
D_AP(7)	C1	I	SubLVDS	Double	Data, Positive
D_BN(0)	K19	I	SubLVDS	Double	Data, Negative
D_BN(1)	J19	I	SubLVDS	Double	Data, Negative
D_BN(2)	H19	I	SubLVDS	Double	Data, Negative
D_BN(3)	G19	I	SubLVDS	Double	Data, Negative
D_BN(4)	E19	I	SubLVDS	Double	Data, Negative
D_BN(5)	D19	I	SubLVDS	Double	Data, Negative
D_BN(6)	C19	I	SubLVDS	Double	Data, Negative
D_BN(7)	B19	I	SubLVDS	Double	Data, Negative
D_BP(0)	K20	I	SubLVDS	Double	Data, Positive
D_BP(1)	J20	I	SubLVDS	Double	Data, Positive

Pin Functions – Connector Pins (continued)

PIN		TYPE	SIGNAL	DATA RATE	DESCRIPTION
NAME	NO.				
D_BP(2)	H20	I	SubLVDS	Double	Data, Positive
D_BP(3)	G20	I	SubLVDS	Double	Data, Positive
D_BP(4)	E20	I	SubLVDS	Double	Data, Positive
D_BP(5)	D20	I	SubLVDS	Double	Data, Positive
D_BP(6)	C20	I	SubLVDS	Double	Data, Positive
D_BP(7)	B20	I	SubLVDS	Double	Data, Positive
DCLK_AN	G2	I	SubLVDS	Double	Clock, Negative
DCLK_AP	G1	I	SubLVDS	Double	Clock, Positive
DCLK_BN	F19	I	SubLVDS	Double	Clock, Negative
DCLK_BP	F20	I	SubLVDS	Double	Clock, Positive
LS_CLKN	R3	I	SubLVDS	Single	Clock for Low Speed Interface, Negative
LS_CLKP	T3	I	SubLVDS	Single	Clock for Low Speed Interface, Positive
LS_WDATAN	R2	I	SubLVDS	Single	Write Data for Low Speed Interface, Negative
LS_WDATAP	T2	I	SubLVDS	Single	Write Data for Low Speed Interface, Positive
CONTROL INPUTS					
DMD_DEN_ARSTZ	T10	I	LPSDR		Asynchronous Reset Active Low. Logic High Enables DMD.
LS_RDATA_A	T5	O	LPSDR	Single	Read Data for Low Speed Interface
LS_RDATA_B	T6	O	LPSDR	Single	Read Data for Low Speed Interface
TEMPERATURE SENSE DIODE					
TEMP_N	P1	O			Calibrated temperature diode used to assist accurate temperature measurements of DMD die.
TEMP_P	N1	I			
RESERVED PINS					
VCCH	A8	Ground			Reserved Pin. Connect to Ground.
VCCH	A9	Ground			
VCCH	A10	Ground			
VCCH	B8	Ground			
VCCH	B9	Ground			
VCCH	B10	Ground			
VSSH	A11	Ground			Reserved Pin. Connect to Ground.
VSSH	A12	Ground			
VSSH	A13	Ground			
VSSH	B11	Ground			
VSSH	B12	Ground			
VSSH	B13	Ground			

Pin Functions – Connector Pins (continued)

PIN		TYPE	SIGNAL	DATA RATE	DESCRIPTION
NAME	NO.				
POWER					
VBIAS	T7	Power			Supply voltage for positive bias level at micromirrors.
VBIAS	T15	Power			
VOFFSET	T9	Power			Supply voltage for High Voltage CMOS core logic. Supply voltage for offset level at micromirrors
VOFFSET	T13	Power			
VOFFSET	A5	Power			
VOFFSET	B5	Power			
VOFFSET	A16	Power			
VOFFSET	B16	Power			
VRESET	T8	Power			Supply voltage for negative reset level at micromirrors.
VRESET	T14	Power			
VDD	R4	Power			Supply voltage for Low Voltage CMOS core logic; for LPSDR inputs; for normal high level at micromirror address electrodes.
VDD	R10	Power			
VDD	R11	Power			
VDD	R20	Power			
VDD	N2	Power			
VDD	M20	Power			
VDD	L3	Power			
VDD	K18	Power			
VDD	H3	Power			
VDD	G18	Power			
VDD	E3	Power			
VDD	D18	Power			
VDD	C3	Power			
VDD	A6	Power			
VDD	A18	Power			
VDDI	T4	Power			
VDDI	R1	Power			
VDDI	M3	Power			
VDDI	L18	Power			
VDDI	J3	Power			
VDDI	H18	Power			
VDDI	F3	Power			
VDDI	E18	Power			
VDDI	B3	Power			
VDDI	B18	Power			

Pin Functions – Connector Pins (continued)

PIN		TYPE	SIGNAL	DATA RATE	DESCRIPTION
NAME	NO.				
VSS	T1	Ground			Common return. Ground for all power.
VSS	T16	Ground			
VSS	T19	Ground			
VSS	T20	Ground			
VSS	R5	Ground			
VSS	R6	Ground			
VSS	R7	Ground			
VSS	R8	Ground			
VSS	R9	Ground			
VSS	R13	Ground			
VSS	R14	Ground			
VSS	R15	Ground			
VSS	P2	Ground			
VSS	P3	Ground			
VSS	P20	Ground			
VSS	N19	Ground			
VSS	N20	Ground			
VSS	M1	Ground			
VSS	M2	Ground			
VSS	L19	Ground			
VSS	L20	Ground			
VSS	K3	Ground			
VSS	J18	Ground			
VSS	G3	Ground			
VSS	F18	Ground			
VSS	D3	Ground			
VSS	C18	Ground			
VSS	B2	Ground			
VSS	B4	Ground			
VSS	B15	Ground			
VSS	B17	Ground			
VSS	A3	Ground			
VSS	A4	Ground			
VSS	A7	Ground			
VSS	A15	Ground			
VSS	A17	Ground			
VSS	A19	Ground			
VSS	A20	Ground			

Pin Functions – Test Pads

NUMBER	SYSTEM BOARD
T11	Do not connect
T12	Do not connect
T17	Do not connect
T18	Do not connect
R12	Do not connect
R16	Do not connect
R17	Do not connect
R18	Do not connect
R19	Do not connect
P18	Do not connect
P19	Do not connect
N3	Do not connect
N18	Do not connect
M18	Do not connect
M19	Do not connect
B6	Do not connect
B7	Do not connect
B14	Do not connect
A14	Do not connect

6 Specifications

6.1 Absolute Maximum Ratings

see ⁽¹⁾

		MIN	MAX	UNIT
SUPPLY VOLTAGE				
VDD	Supply voltage for LVCMOS core logic ⁽²⁾ Supply voltage for LPSDR low speed interface	-0.5	2.3	V
VDDI	Supply voltage for SubLVDS receivers ⁽²⁾	-0.5	2.3	V
VOFFSET	Supply voltage for HVCMOS and micromirror electrode ⁽²⁾⁽³⁾	-0.5	8.75	V
VBIAS	Supply voltage for micromirror electrode ⁽²⁾	-0.5	17	V
VRESET	Supply voltage for micromirror electrode ⁽²⁾	-11	0.5	V
VDDI-VDD	Supply voltage delta (absolute value) ⁽⁴⁾		0.3	V
VBIAS-VOFFSET	Supply voltage delta (absolute value) ⁽⁵⁾		8.75	V
VBIAS-VRESET	Supply voltage delta (absolute value) ⁽⁶⁾		28	V
INPUT VOLTAGE				
Input voltage for other inputs LPSDR ⁽²⁾		-0.5	VDD + 0.5	V
Input voltage for other inputs SubLVDS ⁽²⁾⁽⁷⁾		-0.5	VDDI + 0.5	V
INPUT PINS				
V _{ID}	SubLVDS input differential voltage (absolute value) ⁽⁷⁾		810	mV
I _{ID}	SubLVDS input differential current		10	mA
CLOCK FREQUENCY				
f _{clock}	Clock frequency for low speed interface LS_CLK		130	MHz
f _{clock}	Clock frequency for high speed interface DCLK		620	MHz
ENVIRONMENTAL				
T _{ARRAY}	Operating DMD array temperature (Monitored by TMP411 via DLPC230-Q1) ⁽⁸⁾	-40	105	°C

- (1) Stresses beyond those listed under *Absolute Maximum Ratings* may cause permanent damage to the device. These are stress ratings only, and functional operation of the device is not implied at these or any other conditions beyond those indicated under *Recommended Operating Conditions*. Exposure above or below the *Recommended Operating Conditions* for extended periods may affect device reliability.
- (2) All voltage values are with respect to the ground terminals (VSS). The following power supplies are all required to operate the DMD: VDD, VDDI, VOFFSET, VBIAS, and VRESET. All VSS connections are also required.
- (3) VOFFSET supply transients must fall within specified voltages.
- (4) Exceeding the recommended allowable absolute voltage difference between VDDI and VDD may result in excessive current draw.
- (5) Exceeding the recommended allowable absolute voltage difference between VBIAS and VOFFSET may result in excessive current draw.
- (6) Exceeding the recommended allowable absolute voltage difference between VBIAS and VRESET may result in excessive current draw.
- (7) This maximum input voltage rating applies when each input of a differential pair is at the same voltage potential. Sub-LVDS differential inputs must not exceed the specified limit or damage to the internal termination resistors may result.
- (8) See [Micromirror Array Temperature Calculation](#) section.

6.2 Storage Conditions

Applicable for the DMD as a component or non-operating in a system.

		MIN	MAX	UNIT
T _{stg}	DMD storage temperature (Reference location TP1 in Figure 19)	-40	125	°C

6.3 ESD Ratings

		VALUE	UNIT
V _(ESD) Electrostatic discharge	Human-body model (HBM), per ANSI/ESDA/JEDEC JS-001 ⁽¹⁾	±2000	V
	Charged-device model (CDM), Corner Pins, per JESD22-C101 ⁽²⁾	±750	
	Charged-device model (CDM), All Other Pins, per JESD22-C101 ⁽²⁾	±500	

- (1) JEDEC document JEP155 states that 500-V HBM allows safe manufacturing with a standard ESD control process.
- (2) JEDEC document JEP157 states that 250-V CDM allows safe manufacturing with a standard ESD control process.

6.4 Recommended Operating Conditions

Over operating free-air temperature range (unless otherwise noted)⁽¹⁾⁽²⁾

		MIN	NOM	MAX	UNIT
SUPPLY VOLTAGE RANGE⁽³⁾					
VDD	Supply voltage for LVCMOS core logic Supply voltage for LPSDR low-speed interface	1.7	1.8	1.95	V
VDDI	Supply voltage for SubLVDS receivers	1.7	1.8	1.95	V
VOFFSET	Supply voltage for HVCMOS and micromirror electrode ⁽⁴⁾	8.25	8.5	8.75	V
VBIAS	Supply voltage for mirror electrode	15.5	16	16.5	V
VRESET	Supply voltage for micromirror electrode	−9.5	−10	−10.5	V
VDDI−VDD	Supply voltage delta (absolute value) ⁽⁵⁾			0.3	V
VBIAS−VOFFSET	Supply voltage delta (absolute value) ⁽⁶⁾			8.75	V
CLOCK FREQUENCY					
f_{clock}	Clock frequency for low speed interface LS_CLK			120	MHz
f_{clock}	Clock frequency for high speed interface DCLK ⁽⁷⁾			600	MHz
	Duty cycle distortion DCLK	44%		56%	
SUBLVDS INTERFACE⁽⁷⁾					
V _{ID}	SubLVDS input differential voltage (absolute value, see Figure 6 , Figure 7)	150	250	350	mV
V _{CM}	Common mode voltage (see Figure 6 , Figure 7)	700	900	1100	mV
V _{SUBLVDS}	SubLVDS voltage (see Figure 6 , Figure 7)	575		1225	mV
Z _{LINE}	Line differential impedance (PWB/trace)	90	100	110	Ω
Z _{IN}	Internal differential termination resistance (see Figure 8)	80	100	120	Ω
TEMPERATURE DIODE					
I _{TEMP_DIODE}	Max current source into Temperature Diode ⁽⁸⁾			120	μA
ENVIRONMENTAL					
T _{ARRAY}	Operating DMD array temperature ⁽⁹⁾⁽¹⁰⁾⁽¹¹⁾	−40		105	°C
ILL _{UV}	Illumination, wavelength < 395 nm ⁽¹⁰⁾			2	mW/cm ²
ILL _{OVERFILL}	Illumination overfill maximum heat load per side. ⁽¹²⁾⁽¹³⁾ T _{ARRAY} ≤ 75°C			40	mW/mm ²
ILL _{OVERFILL}	Illumination overfill maximum heat load per side. ⁽¹²⁾⁽¹³⁾ T _{ARRAY} > 75°C			29	mW/mm ²

- (1) The following power supplies are all required to operate the DMD: VDD, VDDI, VOFFSET, VBIAS, and VRESET. All VSS connections are also required.
- (2) *Recommended Operating Conditions* are applicable after the DMD is installed in the final product.
- (3) All voltage values are with respect to the ground pins (VSS).
- (4) VOFFSET supply transients must fall within specified max voltages.
- (5) To prevent excess current, the supply voltage delta |VDDI − VDD| must be less than the specified limit.
- (6) To prevent excess current, the supply voltage delta |VBIAS − VOFFSET| must be less than the specified limit.
- (7) Refer to the SubLVDS timing requirements in [Timing Requirements](#).
- (8) Temperature Diode is to allow accurate measurement of the DMD array temperature during operation.
- (9) DMD Active Array temperature can be calculated using the TMP411 and DLPC230-Q1 as shown in the [Micromirror Array Temperature Calculation](#) section.
- (10) The maximum operation conditions for operating temperature and UV illumination shall not be implemented simultaneously.
- (11) Operating profile information for device micromirror landed duty-cycle and temperature may be provided if requested.
- (12) The active area of the DLP5530-Q1 device is surrounded by an aperture on the inside of the DMD window surface that masks structures of the DMD device assembly from normal view. The aperture is sized to anticipate several optical conditions. Overfill light illuminating the area outside the active array can scatter and create adverse effects to the performance of an end application using the DMD. The illumination optical system should be designed to minimize light flux incident outside the active array. Depending on the particular system's optical architecture and assembly tolerances, the amount of overfill light on the outside of the active array may cause system performance degradation.
- (13) Applies to the two regions in [Figure 1](#).

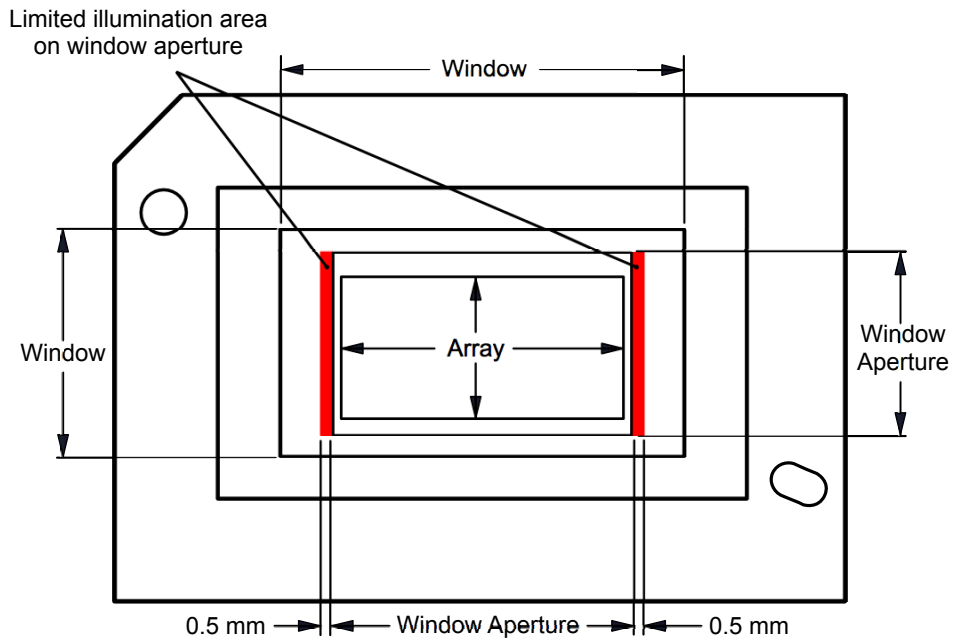


Figure 1. Illumination Overfill Diagram

6.5 Thermal Information

THERMAL METRIC ⁽¹⁾		DLP5530-Q1	UNIT
		FYK (CPGA)	
		149 PINS	
Thermal resistance	Active area-to-test point 1 (TP1) ⁽¹⁾	1.1	°C/W

- (1) The DMD is designed to conduct absorbed and dissipated heat to the back of the package. The cooling system must be capable of maintaining the package within the temperature range specified in the [Recommended Operating Conditions](#). The total heat load on the DMD is largely driven by the incident light absorbed by the active area, although other contributions include light energy absorbed by the window aperture and electrical power dissipation of the array. Optical systems should be designed to minimize the light energy falling outside the window clear aperture since any additional thermal load in this area can significantly degrade the reliability of the device.

6.6 Electrical Characteristics

Over operating free-air temperature range (unless otherwise noted)⁽¹⁾

PARAMETER		TEST CONDITIONS ⁽²⁾	MIN	TYP ⁽³⁾	MAX	UNIT
CURRENT						
I _{DD}	Supply current: VDD ⁽⁴⁾⁽⁵⁾	VDD = 1.95 V			369	mA
		VDD = 1.8 V				
I _{DDI}	Supply current: VDDI ⁽⁴⁾⁽⁵⁾	VDDI = 1.95 V			62	mA
		VDD = 1.8 V				
I _{OFFSET}	Supply current: VOFFSET ⁽⁶⁾	VOFFSET = 8.75 V			16.1	mA
		VOFFSET = 8.5 V				
I _{BIAS}	Supply current: VBIAS ⁽⁶⁾	VBIAS = 16.5 V			1.3	mA
		VBIAS = 16 V				
I _{RESET}	Supply current: VRESET	VRESET = -10.5 V			-10.2	mA
		VRESET = -10 V				
POWER⁽⁷⁾						
P _{DD}	Supply power dissipation: VDD ⁽⁴⁾⁽⁵⁾	VDD = 1.95 V			720	mW
		VDD = 1.8 V				
P _{DDI}	Supply power dissipation: VDDI ⁽⁴⁾⁽⁵⁾	VDDI = 1.95 V			121	mW
		VDD = 1.8 V				
P _{OFFSET}	Supply power dissipation: VOFFSET ⁽⁶⁾	VOFFSET = 8.75 V			141	mW
		VOFFSET = 8.5 V				
P _{BIAS}	Supply power dissipation: VBIAS ⁽⁶⁾	VBIAS = 16.5 V			22	mW
		VBIAS = 16 V				
P _{RESET}	Supply power dissipation: VRESET	VRESET = -10.5 V			108	mW
		VRESET = -10 V				
P _{TOTAL}	Supply power dissipation: Total				1110	mW

- (1) Device electrical characteristics are over [Recommended Operating Conditions](#) unless otherwise noted.
(2) All voltage values are with respect to the ground pins (VSS).
(3) Typical current consumption is application and video content dependent. Please see a TI applications engineer for additional information.
(4) To prevent excess current, the supply voltage delta |VDDI – VDD| must be less than the specified limit.
(5) Supply power dissipation based on non-compressed commands and data.
(6) To prevent excess current, the supply voltage delta |VBIAS – VOFFSET| must be less than the specified limit.
(7) The following power supplies are all required to operate the DMD: VDD, VDDI, VOFFSET, VBIAS, VRESET. All VSS connections are also required.

Electrical Characteristics (continued)

Over operating free-air temperature range (unless otherwise noted)⁽¹⁾

PARAMETER		TEST CONDITIONS ⁽²⁾	MIN	TYP ⁽³⁾	MAX	UNIT
LPSDR INPUT⁽⁸⁾						
V _{IH(DC)}	DC input high voltage ⁽⁹⁾		0.7 × VDD		VDD + 0.3	V
V _{IL(DC)}	DC input low voltage ⁽⁹⁾		−0.3		0.3 × VDD	V
V _{IH(AC)}	AC input high voltage ⁽⁹⁾		0.8 × VDD		VDD + 0.3	V
V _{IL(AC)}	AC input low voltage		−0.3		0.2 × VDD	V
ΔV _T	Hysteresis (V _{T+} − V _{T−})	Figure 9	0.1 × VDD		0.4 × VDD	V
I _{IL}	Low-level input current	VDD = 1.95 V; V _I = 0 V	−100			nA
I _{IH}	High-level input current	VDD = 1.95 V; V _I = 1.95 V			300	nA
LPSDR OUTPUT⁽¹⁰⁾						
V _{OH}	DC output high voltage	I _{OH} = −2 mA	0.8 × VDD			V
V _{OL}	DC output low voltage	I _{OL} = 2 mA			0.2 × VDD	V
CAPACITANCE						
C _{IN}	Input capacitance LPSDR	f = 1 MHz			10	pF
	Input capacitance SubLVDS	f = 1 MHz			20	
C _{OUT}	Output capacitance	f = 1 MHz			10	pF
C _{RESET}	Reset group capacitance	f = 1 MHz; (1152 × 144) micromirrors	350	400	450	pF
C _{TEMP}	Temperature sense diode capacitance	f = 1 MHz			20	pF

(8) LPSDR input specifications are for pin DMD_DEN_ARSTZ.

(9) Low-speed interface is LPSDR and adheres to the Electrical Characteristics and AC/DC Operating Conditions table in JEDEC Standard No. 209B, *Low-Power Double Data Rate (LPDDR) JESD209B*.

(10) LPSDR output specification is for pins LS_RDATA_A and LS_RDATA_B.

6.7 Timing Requirements

Device electrical characteristics are over *Recommended Operating Conditions* unless otherwise noted.

			MIN	NOM	MAX	UNIT
LPSDR						
t _r	Rise slew rate ⁽¹⁾	(20% to 80%) × VDD, see Figure 2	0.25			V/ns
t _f	Fall slew rate ⁽¹⁾	(80% to 20%) × VDD, see Figure 2	0.25			V/ns
t _{W(H)}	Pulse duration LS_CLK high	50% to 50% reference points, see Figure 4	0.75			ns
t _{W(L)}	Pulse duration LS_CLK low	50% to 50% reference points, see Figure 4	0.75			ns
t _{su}	Setup time	LS_WDATA valid before LS_CLK ↑ or LS_CLK ↓, see Figure 4	1.5			ns
t _h	Hold time	LS_WDATA valid after LS_CLK ↑ or LS_CLK ↓, see Figure 4	1.5			ns
SubLVDS						
t _r	Rise slew rate	20% to 80% reference points, see Figure 3	0.7	1		V/ns
t _f	Fall slew rate	80% to 20% reference points, see Figure 3	0.7	1		V/ns
t _c	Cycle time DCLK	See Figure 4	1.61	1.67		ns
t _{W(H)}	Pulse duration DCLK high	50% to 50% reference points, see Figure 4	0.75			ns
t _{W(L)}	Pulse duration DCLK low	50% to 50% reference points, see Figure 4	0.75			ns
t _{WINDOW}	Window time	Setup time + Hold time, see Figure 4, Figure 5	0.3			ns
t _{LVDS-ENABLE+REFGEN}	Power-up receiver ⁽²⁾				2000	ns

(1) Specification is for DMD_DEN_ARSTZ pin. Refer to LPSDR input rise and fall slew rate in Figure 2.

(2) Specification is for SubLVDS receiver time only and does not take into account commanding and latency after commanding.

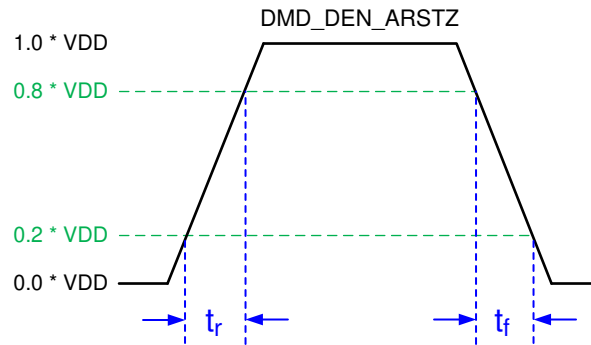


Figure 2. LPSDR Input Rise and Fall Slew Rate

$V_{LS_CLK_P}$, $V_{LS_CLK_N}$, $V_{LS_WDATA_P}$, $V_{LS_WDATA_N}$
 V_{DCLK_AP} , V_{DCLK_BP} , V_{DCLK_AN} , V_{DCLK_BN}
 $V_{D_AP(7:0)}$, $V_{D_BP(7:0)}$, $V_{D_AN(7:0)}$, $V_{D_BN(7:0)}$

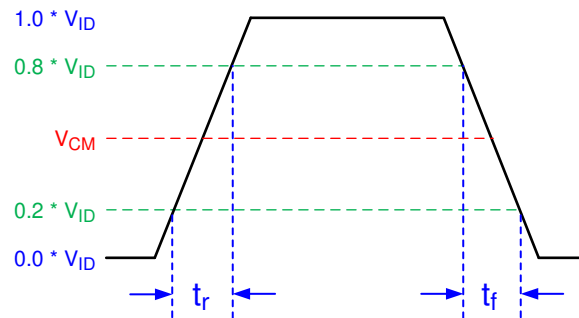


Figure 3. SubLVDS Input Rise and Fall Slew Rate

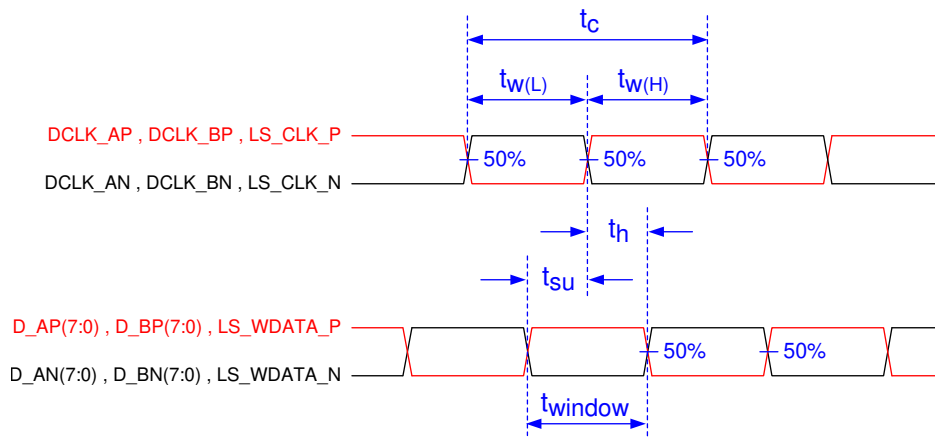


Figure 4. SubLVDS Switching Parameters

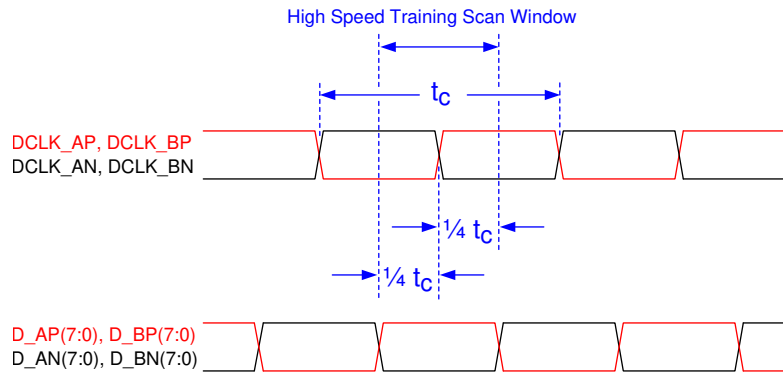


Figure 5. High-Speed Training Scan Window

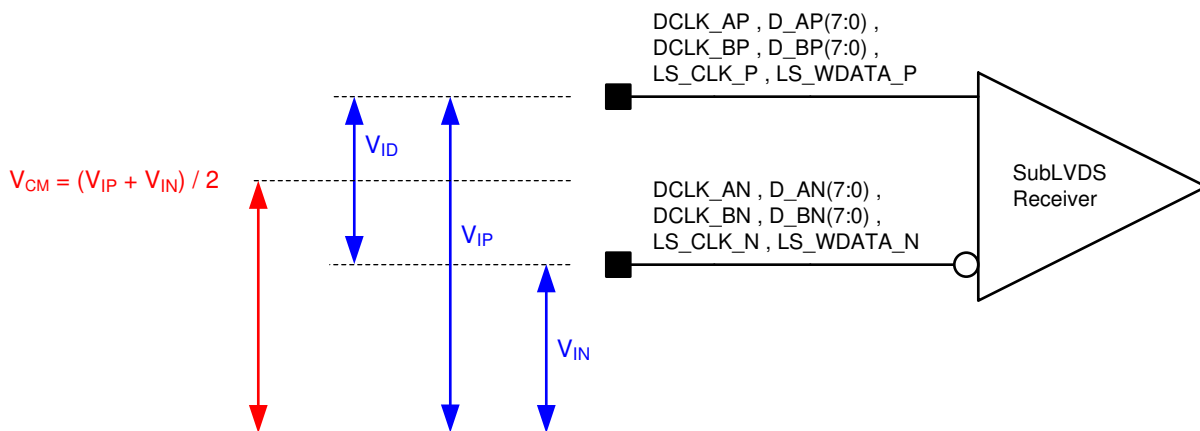


Figure 6. SubLVDS Voltage Parameters

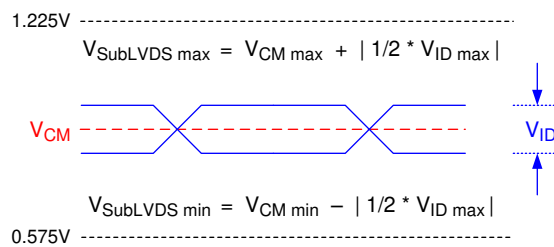


Figure 7. SubLVDS Waveform Parameters

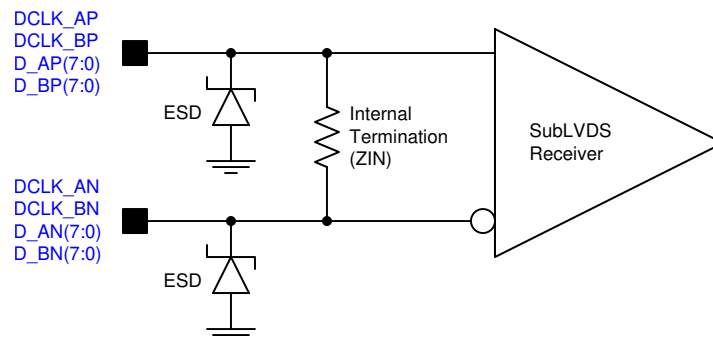


Figure 8. SubLVDS Equivalent Input Circuit

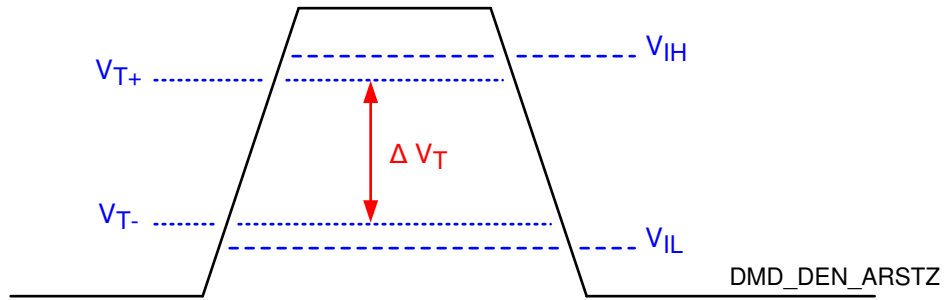


Figure 9. LPSDR Input Hysteresis

6.8 Switching Characteristics⁽¹⁾

Over operating free-air temperature range (unless otherwise noted).

PARAMETER	TEST CONDITIONS	MIN	TYP	MAX	UNIT
t_{PD}	Output propagation, clock to Q, rising edge of LS_CLK (differential clock signal) input to LS_RDATA output. See Figure 10, Figure 11			15	ns
	Slew rate, LS_RDATA	0.5			V/ns
	Output duty cycle distortion, LS_RDATA_A and LS_RDATA_B	40%		60%	

(1) Device electrical characteristics are over *Recommended Operating Conditions* unless otherwise noted.

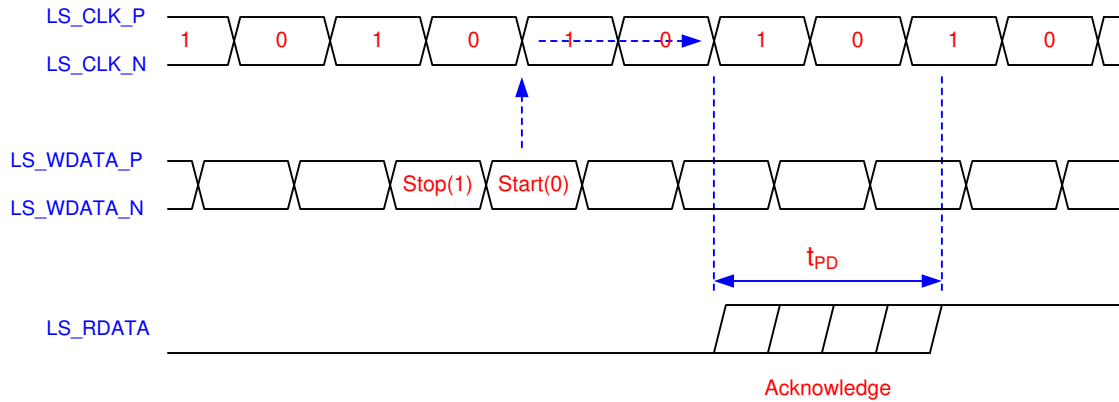
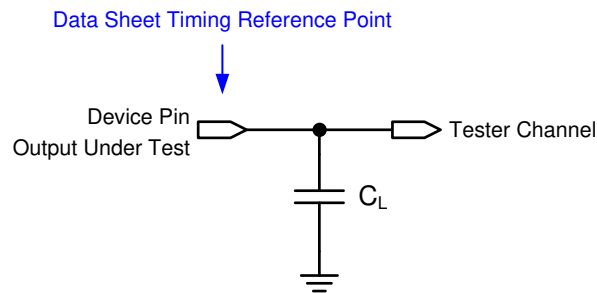


Figure 10. LPSDR Read Out



See *Sub-LVDS Data Interface* for more information.

Figure 11. Test Load Circuit for Output Propagation Measurement

6.9 System Mounting Interface Loads

PARAMETER	MIN	NOM	MAX	UNIT
Condition 1: Maximum load evenly distributed within each area ⁽¹⁾				
Thermal Interface Area			110.8	N
Electrical Interface Area			111.3	
Condition 2: Maximum load evenly distributed within each area ⁽¹⁾				
Thermal Interface Area			0	N
Electrical Interface Area			222.1	

(1) See [Figure 12](#).

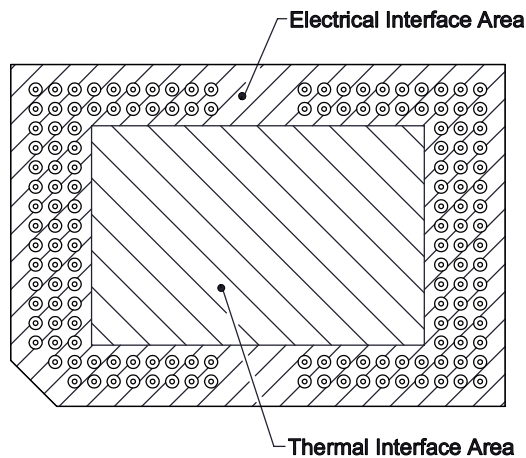
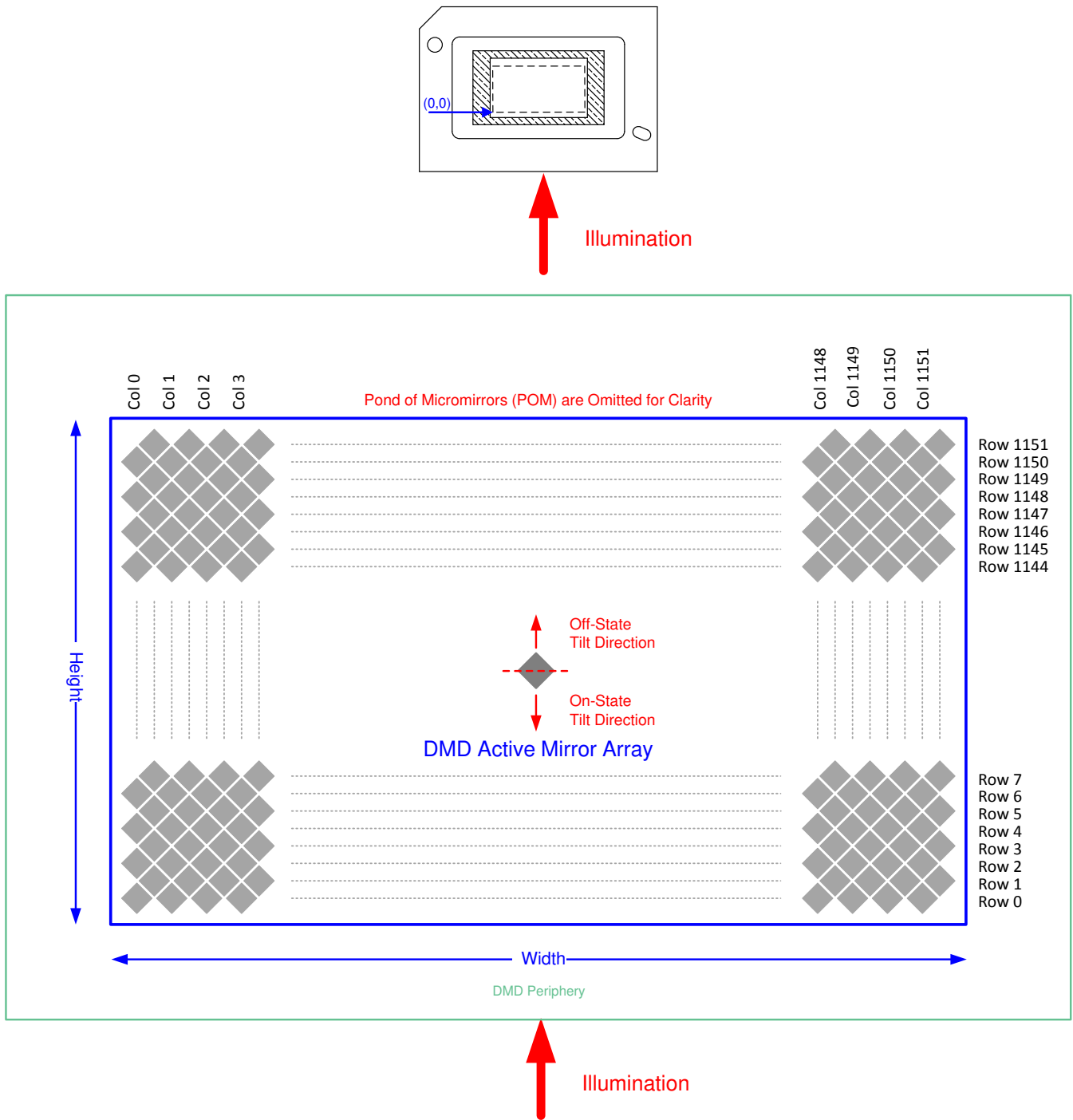


Figure 12. System Interface Loads

6.10 Physical Characteristics of the Micromirror Array

PARAMETER		VALUE	UNIT
M	Number of active columns	See Figure 13	micromirrors
N	Number of active rows	See Figure 13	micromirrors
ε	Micromirror (pixel) pitch - diagonal	See Figure 14	μm
P	Micromirror (pixel) pitch - horizontal and vertical	See Figure 14	μm
	Micromirror active array width	$P \times M + P / 2$; see Figure 13	mm
	Micromirror active array height	$(P \times N) / 2 + P / 2$; see Figure 13	mm
	Micromirror active border	Pond of micromirrors (POM) ⁽¹⁾	10 micromirrors/side

- (1) The structure and qualities of the border around the active array includes a band of partially functional micromirrors called the POM. These micromirrors are structurally and/or electrically prevented from tilting toward the bright or ON state, but still require an electrical bias to tilt toward OFF.



Copyright © 2018, Texas Instruments Incorporated

Figure 13. Micromirror Array Physical Characteristics

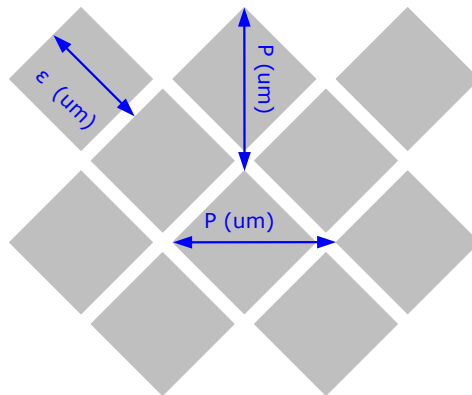


Figure 14. Mirror (Pixel) Pitch

6.11 Micromirror Array Optical Characteristics

PARAMETER	TEST CONDITIONS	MIN	NOM	MAX	UNIT
Micromirror tilt angle	DMD landed state ⁽¹⁾		12		degree
Micromirror tilt angle tolerance ⁽²⁾		-1		1	degree

- (1) Measured relative to the plane formed by the overall micromirror array at 25°C.
- (2) For some applications, it is critical to account for the micromirror tilt angle variation in the overall optical system design. With some optical system designs, the micromirror tilt angle variation within a device may result in perceivable non-uniformities in the light field reflected from the micromirror array. With some optical system designs, the micromirror tilt angle variation between devices may result in colorimetry variations, system efficiency variations, or system contrast variations.

6.12 Window Characteristics

PARAMETER	MIN	NOM	MAX	UNIT
Window material designation	Corning Eagle XG			
Window refractive index	at wavelength 546.1 nm			1.5119
DMD efficiency ⁽¹⁾	420 nm - 700 nm			66%
Window aperture ⁽²⁾				See ⁽²⁾

- (1) DMD efficiency is measured photoptically under the following conditions: 24° illumination angle, F/2.4 illumination and collection apertures, uniform source spectrum (halogen), uniform pupil illumination, the optical system is telecentric at the DMD, and the efficiency numbers are measured with 100% electronic micromirror landed duty-cycle and do not include system optical efficiency or overfill loss. This number is measured under conditions described above and deviations from these specified conditions could result in a different efficiency value in a different optical system. The factors that can influence the DMD efficiency related to system application include: light source spectral distribution and diffraction efficiency at those wavelengths (especially with discrete light sources such as LEDs or lasers), and illumination and collection apertures (F/#) and diffraction efficiency. The interaction of these system factors as well as the DMD efficiency factors that are not system dependent are described in detail in the *DMD Optical Efficiency Application Note*.
- (2) See the mechanical package ICD for details regarding the size and location of the window aperture.

6.13 Chipset Component Usage Specification

The DLP5530-Q1 is a component of a chipset. Reliable function and operation of the DLP5530-Q1 requires that it be used in conjunction with the TPS99000-Q1 and DLPC230-Q1, and includes components that contain or implement TI DMD control technology. TI DMD control technology consists of the TI technology and devices used for operating or controlling a DLP DMD.

NOTE

TI assumes no responsibility for image quality artifacts or DMD failures caused by optical system operating conditions exceeding limits described previously

7 Detailed Description

7.1 Overview

The DLP5530-Q1 Automotive DMD consists of 1,327,104 highly reflective, digitally switchable, micrometer-sized mirrors organized in a two-dimensional array. As shown in Figure 15, the micromirror array consists of 1152 micromirror columns x 1152 micromirror rows in a diamond pixel configuration with a 2:1 aspect ratio.

Around the perimeter of the 1152 x 1152 array of micromirrors is a uniform band of border micromirrors called the Pond of Micromirrors (POM). The border micromirrors are not user-addressable. The border micromirrors land in the -12° position once power has been applied to the device. There are 10 border micromirrors on each side of the 1152 x 1152 active array.

Due to the diamond pixel configuration, the columns of each odd row are offset by half a pixel from the columns of the even row. Each mirror is switchable between two discrete angular positions: -12° and +12°. The mirrors are illuminated from the bottom which allows for compact and efficient system optical design.

Although the native resolution of the DLP5530-Q1 is 1152 x 1152, when paired with the DLPC230-Q1 controller, the DLP5530-Q1 can be driven with different resolutions to utilize the 2:1 aspect ratio. For example, Head-Up Display applications typically use a resolution of 1152 x 576. Please see the DLPC230-Q1 automotive DMD controller data sheet (DLPS054) for a list of supported resolutions. Diamond pixel arrays also have the capability to increase display resolution beyond native resolution. Future controllers or video formatters may take advantage of this enhanced resolution.

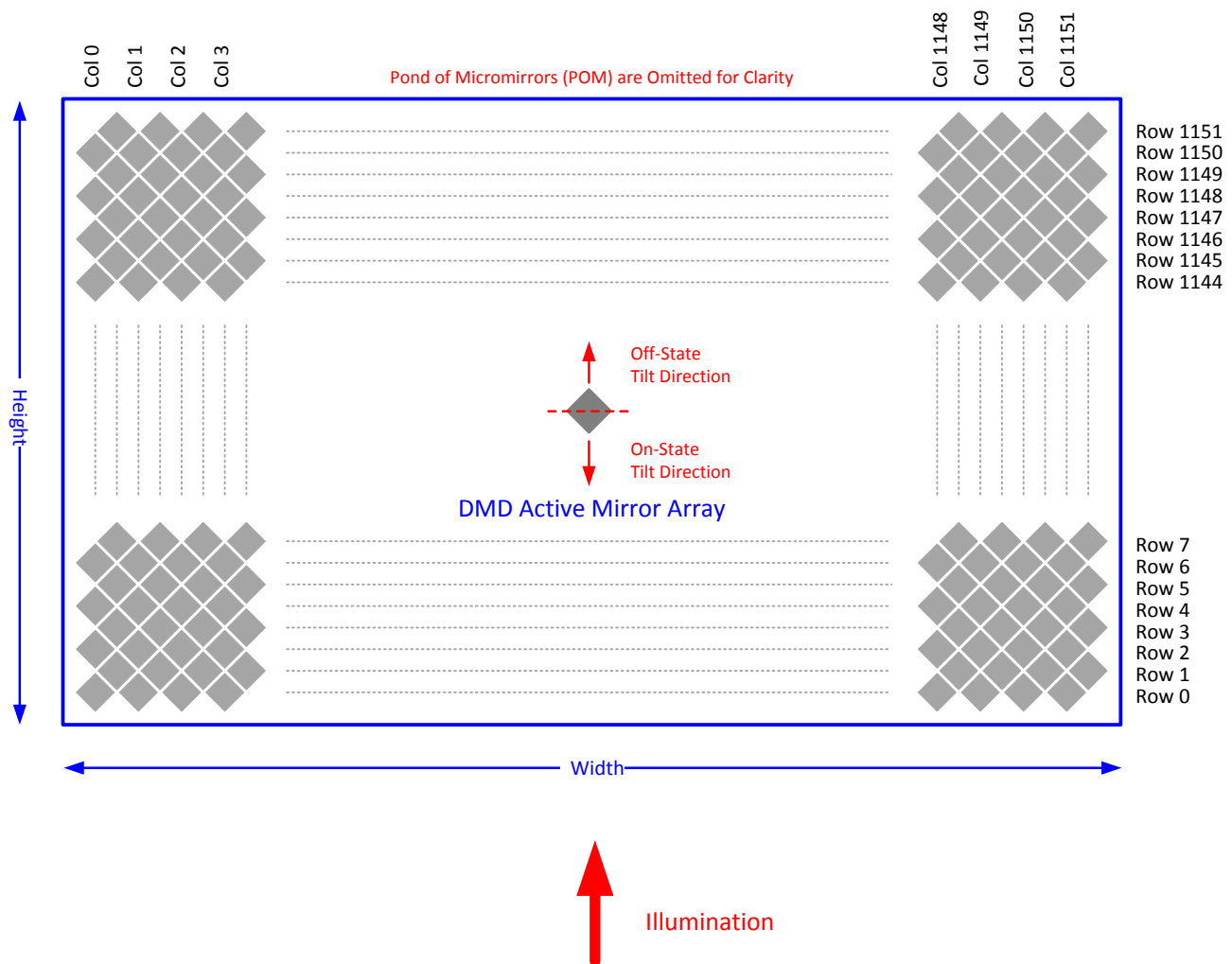
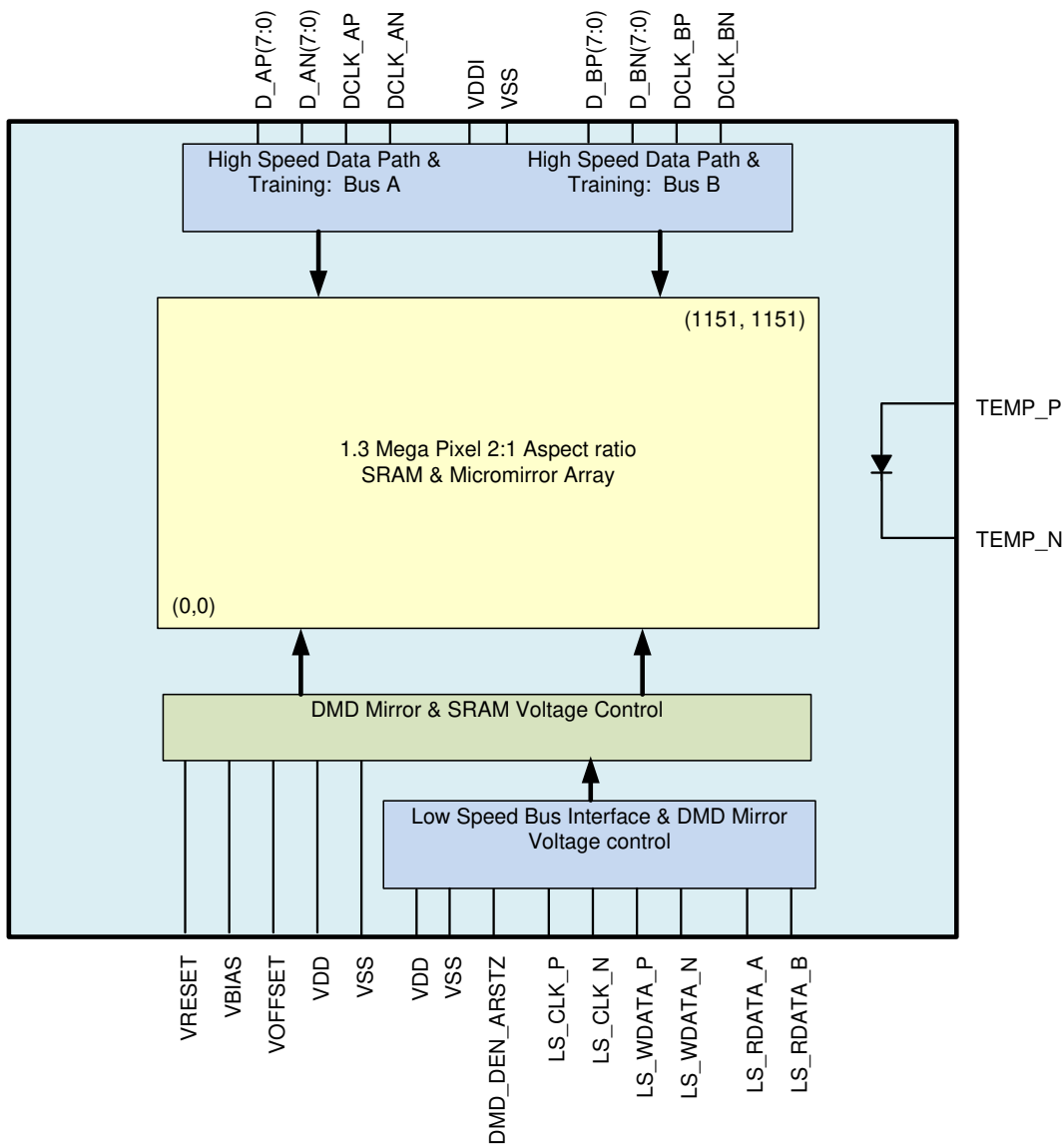


Figure 15. 0.55-in 1.3-MP Micromirror Array

7.2 Functional Block Diagram



Copyright © 2018, Texas Instruments Incorporated

7.3 Feature Description

The DLP5530-Q1 consists of a two-dimensional array of 1-bit CMOS memory cells driven by a sub-LVDS bus from the DLPC230-Q1 and powered by the TPS99000-Q1. The temperature sensing diode is used to continuously monitor the DMD array temperature.

To ensure reliable operation the DLP5530-Q1 must be used with the DLPC230-Q1 DMD display controller and the TPS99000-Q1 system management and illumination controller.

7.3.1 Sub-LVDS Data Interface

The Sub-LVDS signaling protocol was designed to enable very fast DMD data refresh rates while simultaneously maintaining low power and low emission.

Data is loaded into the SRAM under each micromirror using the sub-LVDS interface from the DLPC230-Q1. This interface consists of 16 pairs of differential data signals plus two clock pairs into two separate buses A and B loading the left and right half of the SRAM array. The data is latched on both transitions creating a double data rate (DDR) interface. The sub-LVDS interface also implements a continuous training algorithm to optimize the data and clock timing to allow for a more robust interface.

The entire DMD array of 1.3 million pixels can be updated at a rate of less than 100 μ s as a result of the high speed sub-LVDS interface.

7.3.2 Low Speed Interface for Control

The purpose of the low speed interface is to configure the DMD at power up and power down and to control the micromirror reset voltage levels that are synchronized with the data loading. The micromirror reset voltage controls the time when the mirrors are mechanically switched. The low speed differential interface includes 2 pairs of signals for write data and clock, and 2 single-ended signals for output (A and B).

7.3.3 DMD Voltage Supplies

The micromirrors require unique voltage levels to control the mechanical switching from -12° to $+12^\circ$. These voltage levels are nominally 16 V, 8.5 V, and -10 V (VBIAS, VOFFSET, and VRESET), and are generated by the TPS99000-Q1.

7.3.4 Asynchronous Reset

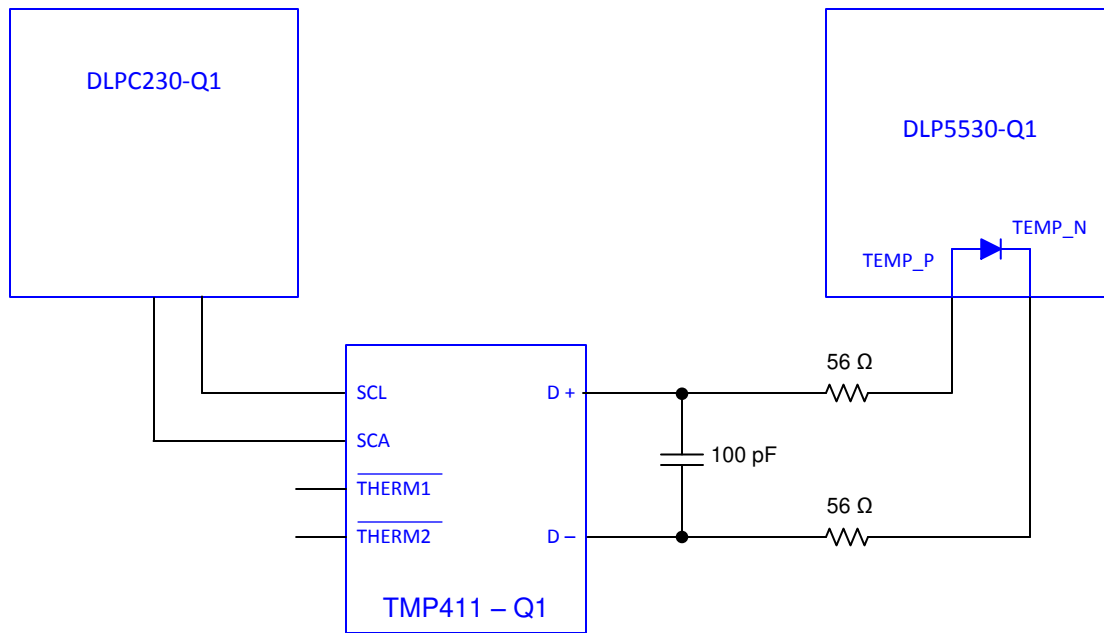
Reset of the DMD is required and controlled by the DLPC230-Q1 via the signal DMD_DEN_ARSTZ.

7.3.5 Temperature Sensing Diode

The DMD includes a temperature sensing diode designed to be used with the TMP411 temperature monitoring device. The DLPC230-Q1 monitors the DMD array temperature via the TMP411 and temperature sense diode. The DLPC230-Q1 operation of the DMD timing is based in part on the DMD array temperature, therefore this connection is essential to ensure reliable operation of the DMD.

[Figure 16](#) shows the typical connection between the DLPC230-Q1, TMP411, and the DMD.

Feature Description (continued)



Copyright © 2017, Texas Instruments Incorporated

Figure 16. Temperature Sense Diode Typical Circuit Configuration

7.3.5.1 Temperature Sense Diode Theory

A temperature sensing diode is based on the fundamental current and temperature characteristics of a transistor. The diode is formed by connecting the transistor base to the collector. Three different known currents flow through the diode and the resulting diode voltage is measured in each case. The difference in their base-emitter voltages is proportional to the absolute temperature of the transistor.

Refer to the TMP411-Q1 data sheet for detailed information about temperature diode theory and measurement. Figure 17 and Figure 18 illustrate the relationships between the current and voltage through the diode.

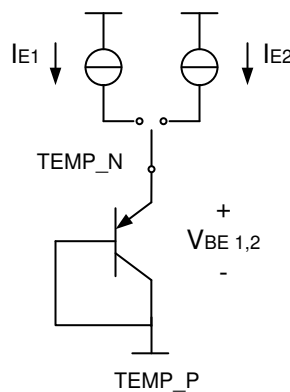


Figure 17. Temperature Measurement Theory

Feature Description (continued)

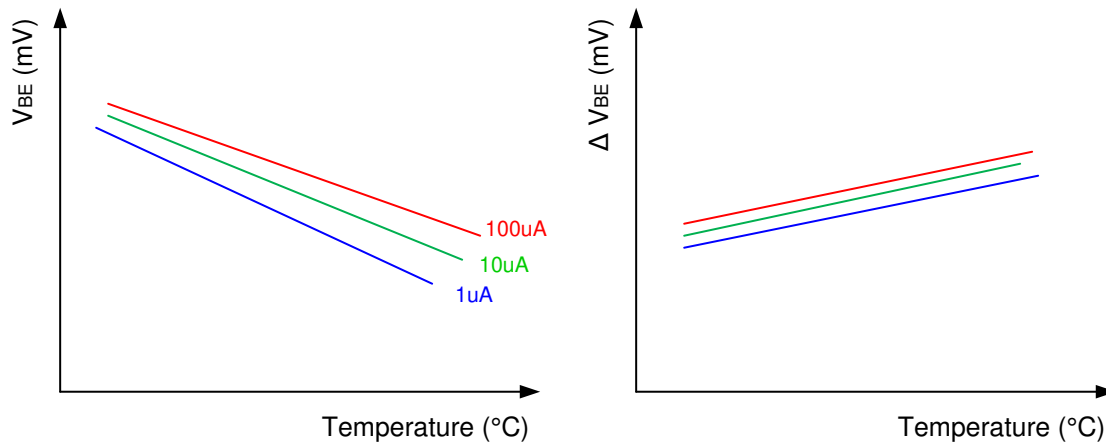


Figure 18. Example of Delta VBE Versus Temperature

7.4 System Optical Considerations

Optimizing system optical performance and image performance strongly relates to optical system design parameter trades. Although it is not possible to anticipate every conceivable application, projector image and optical performance is contingent on compliance to the optical system operating conditions described in the following sections.

7.4.1 Numerical Aperture and Stray Light Control

The numerical aperture of the illumination and projection optics at the DMD optical area should be the same. This cone angle defined by the numerical aperture should not exceed the nominal device mirror tilt angle unless appropriate apertures are added in the illumination and/or projection pupils to block out flat-state and stray light from the projection lens. The mirror tilt angle defines the DMD's capability to separate the "On" optical path from any other light path, including undesirable flat-state specular reflections from the DMD window, DMD border structures, or other system surfaces near the DMD such as prism or lens surfaces.

7.4.2 Pupil Match

TI's optical and image performance specifications assume that the exit pupil of the illumination optics is nominally centered and located at the entrance pupil position of the projection optics. Misalignment of pupils between the illumination and projection optics can degrade screen image uniformity and cause objectionable artifacts in the display's border and/or active area. These artifacts may require additional system apertures to control, especially if the numerical aperture of the system exceeds the pixel tilt angle.

7.4.3 Illumination Overfill

Overfill light illuminating the area outside the active array can create artifacts from the mechanical features and other surfaces that surround the active array. These artifacts may be visible in the projected image. The illumination optical system should be designed to minimize light flux incident outside the active array and on the window aperture. Depending on the particular system's optical architecture and assembly tolerances, this amount of overfill light on the area outside of the active array may still cause artifacts to be visible.

Illumination light and overfill can also induce undesirable thermal conditions on the DMD, especially if illumination light impinges directly on the DMD window aperture or near the edge of the DMD window. Heat load on the aperture in the areas shown in [Figure 1](#) should not exceed the values listed in [Window Characteristics](#). This area is a 0.5-mm wide area the length of the aperture opening. The values listed in [Window Characteristics](#) assume a uniform distribution. For a non-uniform distribution please contact TI for additional information.

System Optical Considerations (continued)

NOTE

TI ASSUMES NO RESPONSIBILITY FOR IMAGE QUALITY ARTIFACTS OR DMD FAILURES CAUSED BY OPTICAL SYSTEM OPERATING CONDITIONS EXCEEDING LIMITS DESCRIBED PREVIOUSLY.

7.5 DMD Image Performance Specification

Table 1. DMD Image Performance⁽¹⁾⁽²⁾

PARAMETER	MIN	NOM	MAX	UNIT
Dark Blemishes - Viewed on a linear blue 60 screen. ⁽³⁾			4	
Light Blemishes - Viewed on a linear gray 10 screen.			4	
Bright Pixels - Viewed on a linear gray 10 screen.			0	micromirrors
Dark Pixels - Viewed on a white screen.			4	micromirrors

- (1) See the [System Optical Considerations](#) section.
- (2) Blemish counts do not include reflections or shadows of the same artifact. Any artifact that is not specifically called out in this table is acceptable. Viewing distance must be > 60 in. Screen size should be similar to application image size. All values referenced are in linear gamma. Non-linear gamma curves may be running by default, and it should be ensured with a TI applications engineer that the equivalent linear gamma value as specified is used to judge artifacts.
- (3) Linear gray 5 may be substituted in monochrome applications.

7.6 Micromirror Array Temperature Calculation

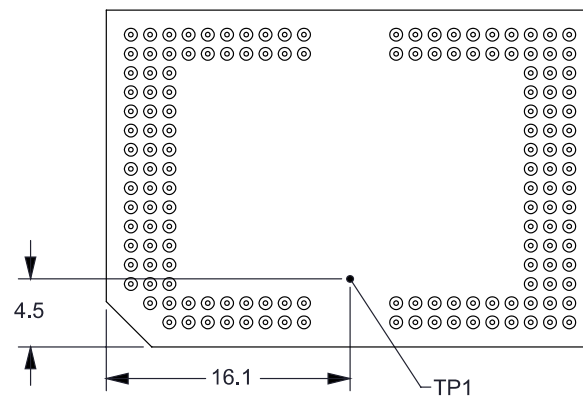


Figure 19. DMD Thermal Test Points

The active array temperature can be computed analytically from measurement points on the outside of the package, the package thermal resistance, the electrical power, and the illumination heat load.

Relationship between array temperature and the reference ceramic temperature (thermocouple location TP1 in [Figure 19](#)) is provided by the following equations:

$$T_{\text{ARRAY}} = T_{\text{CERAMIC}} + (Q_{\text{ARRAY}} \times R_{\text{ARRAY-TO-CERAMIC}}) \tag{1}$$

$$Q_{\text{ARRAY}} = Q_{\text{ELECTRICAL}} + Q_{\text{ILLUMINATION}}$$

where

- T_{ARRAY} = computed DMD array temperature (°C)
- T_{CERAMIC} = measured ceramic temperature, TP1 location in [Figure 19](#) (°C)
- $R_{\text{ARRAY-TO-CERAMIC}}$ = DMD package thermal resistance from array to thermal test point TP1 (°C/W), see [Thermal Information](#)
- Q_{ARRAY} = total power, electrical plus absorbed, on the DMD array (W)
- $Q_{\text{ELECTRICAL}}$ = nominal electrical power dissipation by the DMD (W)
- $Q_{\text{ILLUMINATION}} = (C_{\text{L2W}} \times \text{SL})$
- C_{L2W} = conversion constant for screen lumens to power on the DMD (W/lm)
- SL = measured screen lumens (lm)

Electrical power dissipation of the DMD is variable and depends on the voltages, data rates, and operating frequencies.

Absorbed power from the illumination source is variable and depends on the operating state of the mirrors and the intensity of the light source.

Micromirror Array Temperature Calculation (continued)

Equations shown above are valid for a 1-chip DMD system with a total projection efficiency from DMD to the screen of 87%.

The constant C_{L2W} is based on the DMD array characteristics. It assumes a spectral efficiency of 300 lm/W for the projected light and illumination distribution of 83.7% on the active array, and 16.3% on the array border.

The following is a sample calculation for a typical projection application:

1. $SL = 50 \text{ lm}$
2. $C_{L2W} = 0.00293 \text{ W/lm}$
3. $Q_{\text{ELECTRICAL}} = 0.4 \text{ W}$ (This number does not represent an actual DMD electrical power; for illustration purposes only)
4. $R_{\text{ARRAY-TO-CERAMIC}} = 1.1^\circ\text{C/W}$
5. $T_{\text{CERAMIC}} = 55^\circ\text{C}$
6. $Q_{\text{ARRAY}} = 0.4 \text{ W} + (0.00293 \text{ W/lm} \times 50 \text{ lm}) = 0.5465 \text{ W}$
7. $T_{\text{ARRAY}} = 55^\circ\text{C} + (0.5465 \text{ W} \times 1.1^\circ\text{C/W}) = 55.6^\circ\text{C}$

7.7 Micromirror Landed-On/Landed-Off Duty Cycle

7.7.1 Definition of Micromirror Landed-On/Landed-Off Duty Cycle

The micromirror landed-on/landed-off duty cycle (landed duty cycle) denotes the amount of time (as a percentage) that an individual micromirror is landed in the ON state versus the amount of time the same micromirror is landed in the OFF state.

As an example, a landed duty cycle of 90/10 indicates that the referenced pixel is in the ON state 90% of the time (and in the OFF state 10% of the time), whereas 10/90 would indicate that the pixel is in the OFF state 90% of the time. Likewise, 50/50 indicates that the pixel is ON 50% of the time and OFF 50% of the time.

Note that when assessing landed duty cycle, the time spent switching from one state (ON or OFF) to the other state (OFF or ON) is considered negligible and is thus ignored.

Since a micromirror can only be landed in one state or the other (ON or OFF), the two numbers (percentages) always add to 100.

8 Application and Implementation

NOTE

Information in the following applications sections is not part of the TI component specification, and TI does not warrant its accuracy or completeness. TI's customers are responsible for determining suitability of components for their purposes. Customers should validate and test their design implementation to confirm system functionality.

8.1 Application Information

The DLP5530-Q1 chipset is designed to support projection-based automotive applications such as head-up display systems.

8.2 Typical Application

The chipset consists of three components—the DLP5530-Q1 automotive DMD, the DLPC230-Q1, and the TPS99000-Q1. The DMD is a light modulator consisting of tiny mirrors that are used to form and project images. The DLPC230-Q1 is a controller for the DMD; it formats incoming video and controls the timing of the DMD illumination sources and the DMD in order to display the incoming video. The TPS99000-Q1 is a controller for the illumination sources (LEDs) and a management IC for the entire chipset. In conjunction, the DLPC230-Q1 and the TPS99000-Q1 can also be used for system-level monitoring, diagnostics, and failure detection features. Figure 20 is a system level block diagram with these devices in the DLP head-up display configuration and displays the primary features and functions of each device.

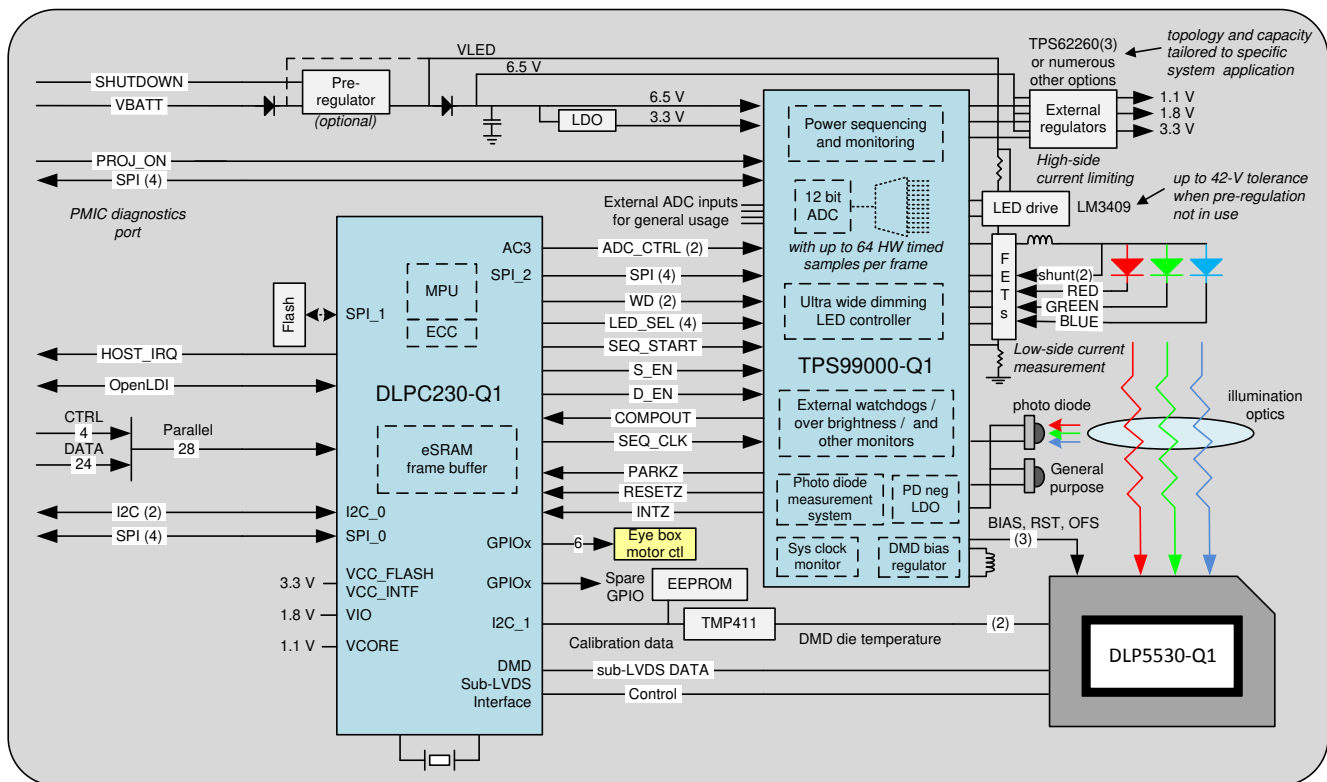


Figure 20. Head-Up Display System Block Diagram

Typical Application (continued)

8.2.1 Application Overview

Figure 20 shows the system block diagram for a DLP HUD system. The system uses the DLPC230-Q1, TPS99000-Q1, and the DLP5530-Q1 automotive DMD to enable a head-up display with high brightness, high efficiency, and a large virtual image distance. The combination of the DLPC230-Q1 and TPS99000-Q1 removes the need for external SDRAM and a dedicated microprocessor. The chipset manages the illumination control of LED sources, power sequencing functions, and system management functions. Additionally, the chipset supports numerous system diagnostic and built-in self test (BIST) features. The following paragraphs describe the functionality of the chipset used for a HUD system in more detail.

The DLPC230-Q1 is a controller for the DMD and the light sources in the DLP HUD module. It receives input video from the host and synchronizes DMD and light source timing in order to achieve the desired video. The DLPC230-Q1 formats input video data that is displayed on the DMD. It synchronizes these video segments with light source timing in order to create a video with a multi-colored display.

The DLPC230-Q1 receives inputs from a host processor in the vehicle. The host provides commands and input video data. Host commands can be sent using either the I²C bus or SPI bus. The bus that is not being used for host commands can be used as a read-only bus for diagnostic purposes. Input video can be sent over an OpenLDI bus or a parallel 24-bit bus. The SPI flash memory provides the embedded software for the DLPC230-Q1's ARM core and default settings. The provides diagnostic and monitoring information to the DLPC230-Q1 using an SPI bus and several other control signals such as PARKZ, INTZ, and RESETZ to manage power-up and power-down sequencing. The TMP411 uses an I²C interface to provide the DMD array temperature to the DLPC230-Q1.

The outputs of the DLPC230-Q1 are configuration and monitoring commands to the , timing controls to the LED or laser driver, control and data signals to the DMD, and monitoring and diagnostics information to the host processor. The DLPC230-Q1 communicates with the over an SPI bus. It uses this to configure the and to read monitoring and diagnostics information from the . The DLPC230-Q1 sends drive enable signals to the LED or laser driver, and synchronizes this with the DMD mirror timing. The control signals to the DMD are sent using a sub-LVDS interface.

The is a highly integrated mixed-signal IC that controls DMD power and provides monitoring and diagnostics information for the DLP HUD system. The power sequencing and monitoring blocks of the properly power up the DMD and provide accurate DMD voltage rails (–16 V, 8.5 V, and 10 V), and then monitor the system's power rails during operation. The integration of these functions into one IC significantly reduces design time and complexity.

The receives inputs from the DLPC230-Q1, the power rails it monitors, the host processor, and potentially several other ADC ports. The DLPC230-Q1 sends configuration and control commands to the over an SPI bus and several other control signals. The DLPC230-Q1's clocks are also monitored by the watchdogs in the to detect any errors. The power rails are monitored by the in order to detect power failures or glitches and request a proper power down of the DMD in case of an error. The host processor can read diagnostics information from the using a dedicated SPI bus, which enables independent monitoring. Additionally the host can request the image to be turned on or off using a PROJ_ON signal. Lastly, the has several general-purpose ADCs that can be used to implement system level monitoring functions.

Typical Application (continued)

The outputs of the are diagnostic information and error alerts to the DLPC230-Q1, and control signals to the LED or laser driver. The can output diagnostic information to the host and the DLPC230-Q1 over two SPI buses. In case of critical system errors, such as power loss, it outputs signals to the DLPC230-Q1 that trigger power down or reset sequences. It also has output signals that can be used to implement various LED or laser driver topologies.

The DMD is a micro-electro-mechanical system (MEMS) device that receives electrical signals as an input (video data), and produces a mechanical output (mirror position). The electrical interface to the DMD is a sub-LVDS interface with the DLPC230-Q1. The mechanical output is the state of more than 1.3 million mirrors in the DMD array that can be tilted $\pm 12^\circ$. In a projection system the mirrors are used as pixels in order to display an image.

8.2.2 Reference Design

For information about connecting together the DLP5530-Q1 DMD, DLPC230-Q1 controller, and TPS99000-Q1, please contact the TI Application Team for additional information about the DLP5530-Q1 evaluation module (EVM). TI has optical-mechanical reference designs available, see the TI Application team for more information.

8.2.3 Application Mission Profile Consideration

Each application is anticipated to have different mission profiles, or number of operating hours at different temperatures. To assist in evaluation the Application Report *Reliability Lifetime Estimates for DLP3030-Q1 and DLP553x-Q1 DMDs in Automotive Applications* may be provided. See the TI Application team for more information.

9 Power Supply Recommendations

The following power supplies are all required to operate the DMD: VDD, VDDI, VOFFSET, VBIAS, and VRESET. All VSS connections are also required. DMD power-up and power-down sequencing is strictly controlled by the TPS99000-Q1 devices.

CAUTION

For reliable operation of the DMD, the following power supply sequencing requirements must be followed. Failure to adhere to the prescribed power-up and power-down procedures may affect device reliability.

VDD, VDDI, VOFFSET, VBIAS, and VRESET power supplies have to be coordinated during power-up and power-down operations. Failure to meet any of the below requirements will result in a significant reduction in the DMD's reliability and lifetime. VSS must also be connected.

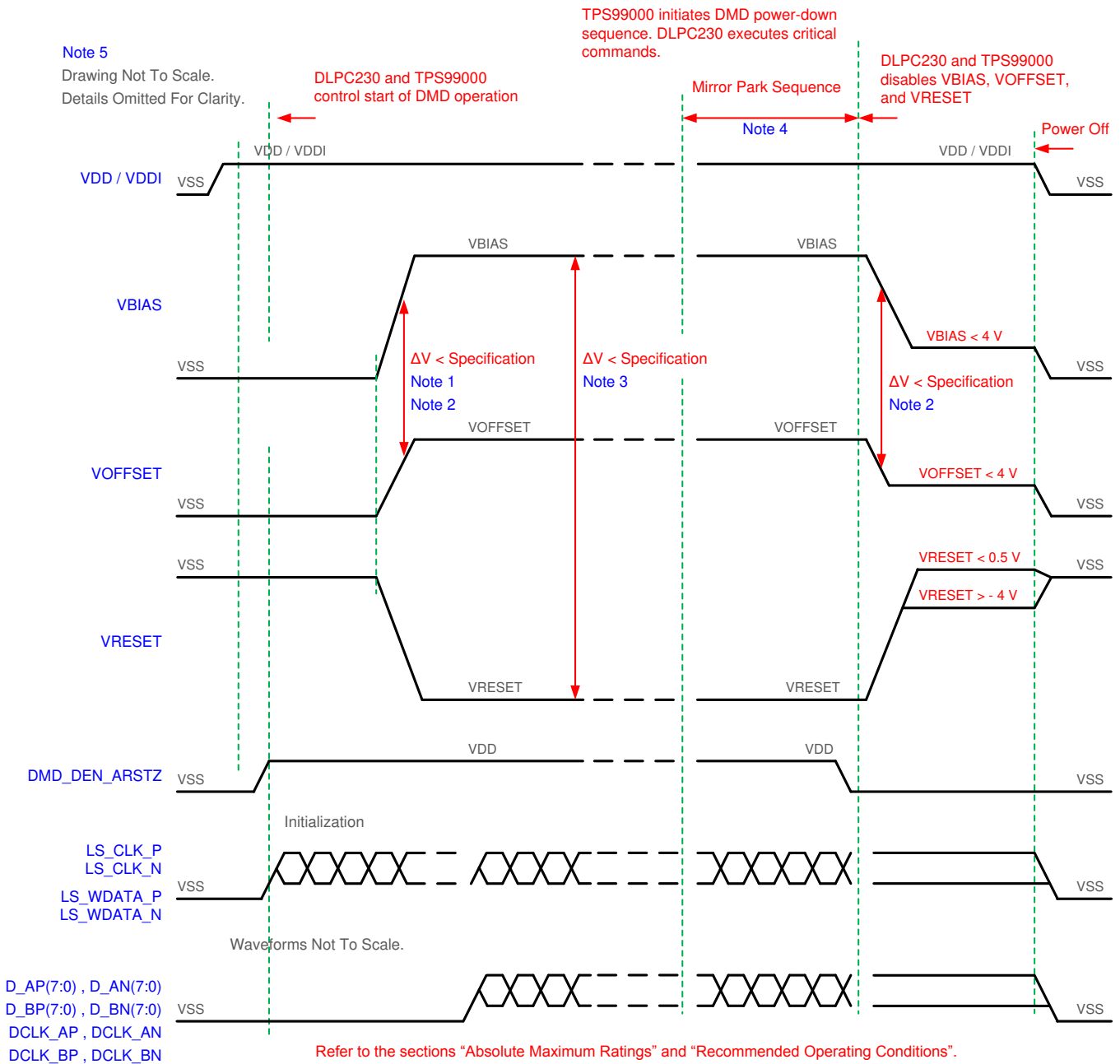
9.1 Power Supply Power-Up Procedure

- During power-up, VDD and VDDI must always start and settle before VOFFSET, VBIAS, and VRESET voltages are applied to the DMD.
- During power-up, it is a strict requirement that the delta between VBIAS and VOFFSET must be within the specified limit shown in the [Recommended Operating Conditions](#).
- During power-up, the DMD's LPSDR input pins shall not be driven high until after VDD and VDDI have settled at operating voltage.
- During power-up, there is no requirement for the relative timing of VRESET with respect to VOFFSET and VBIAS. Power supply slew rates during power-up are flexible, provided that the transient voltage levels follow the requirements listed previously and in [Figure 21](#).

9.2 Power Supply Power-Down Procedure

- The power-down sequence is the reverse order of the previous power-up sequence. VDD and VDDI must be supplied until after VBIAS, VRESET, and VOFFSET are discharged to within 4 V of ground.
- During power-down, it is not mandatory to stop driving VBIAS prior to VOFFSET, but it is a strict requirement that the delta between VBIAS and VOFFSET must be within the specified limit shown in the [Recommended Operating Conditions](#) (Refer to Note 2 in [Figure 21](#)).
- During power-down, the DMD's LPSDR input pins must be less than VDDI, the specified limit shown in the [Recommended Operating Conditions](#).
- During power-down, there is no requirement for the relative timing of VRESET with respect to VOFFSET and VBIAS.
- Power supply slew rates during power-down are flexible, provided that the transient voltage levels follow the requirements listed previously and in [Figure 21](#).

9.3 Power Supply Sequencing Requirements



- (1) To prevent excess current, the supply voltage delta $|VBIAS - VOFFSET|$ must be less than specified in the *Recommended Operating Conditions*. OEMs may find that the most reliable way to ensure this is to power VOFFSET prior to VBIAS during power-up and to remove VBIAS prior to VOFFSET during power-down. Also, is capable of managing the timing between VBIAS and VOFFSET.
- (2) To prevent excess current, the supply voltage delta $|VBIAS - VRESET|$ must be less than specified than the limit shown in the *Recommended Operating Conditions*.
- (3) When system power is interrupted, the TPS9000 initiates hardware power-down that disables VBIAS, VRESET and VOFFSET after the Micromirror Park Sequence.
- (4) Drawing is not to scale and details are omitted for clarity.

Figure 21. Power Supply Sequencing Requirements (Power Up and Power Down)

10 Layout

10.1 Layout Guidelines

Please refer to the DLPC230-Q1 and data sheets for specific PCB layout and routing guidelines. For specific DMD PCB guidelines, use the following:

- Match lengths for the LS_WDATA and LS_CLK signals.
- Minimize vias, layer changes, and turns for the HS bus signals.
- Minimum of two 220-nF decoupling capacitors close to VBIAS.
- Minimum of two 220-nF decoupling capacitors close to VRESET.
- Minimum of two 220-nF decoupling capacitors close to VOFFSET.
- Minimum of four 100-nF decoupling capacitors close to VDDI and VDD.
- Temperature diode pins

The DMD has an internal diode (PN junction) that is intended to be used with an external TI TMP411 temperature sensing IC. PCB traces from the DMD's temperature diode pins to the TMP411 are sensitive to noise. Please see the [TMP411 data sheet](#) for specific routing recommendations.

11 器件和文档支持

11.1 器件支持

11.1.1 器件命名规则

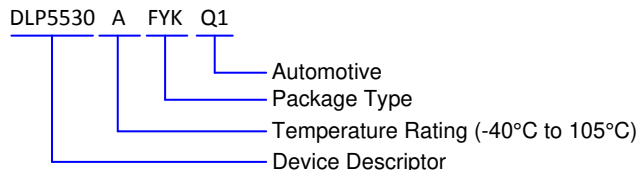


图 22. 器件型号 说明

11.1.2 器件标记

器件标记包括清晰可辨的字符串 GHJJJK DLP5530AFYKQ1。GHJJJK 是批次跟踪代码。DLP5530AFYKQ1 是器件型号。

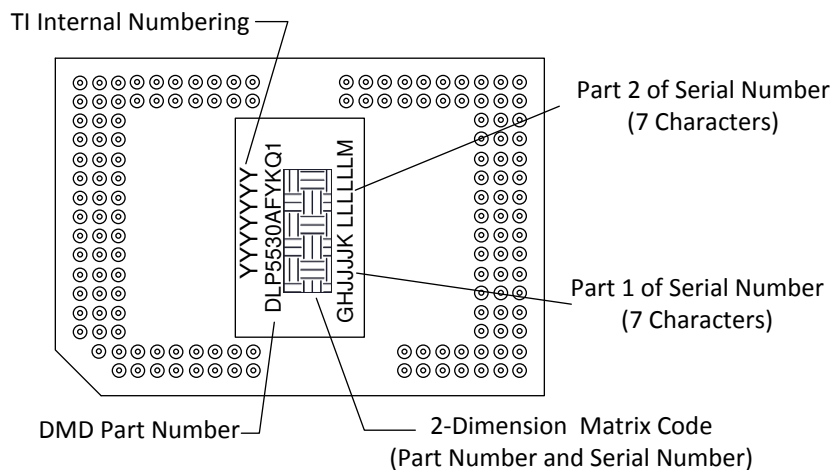


图 23. DMD 标记

11.2 相关链接

下表列出了快速访问链接。类别包括技术文档、支持与社区资源、工具和软件，以及申请样片或购买产品的快速链接。

表 2. 相关链接

器件	产品文件夹	样片与购买	技术文档	工具与软件	支持和社区
DLP5530-Q1	链接	链接	链接	链接	链接
DLPC230-Q1	链接	链接	链接	链接	链接
TPS99000-Q1	链接	链接	链接	链接	链接

11.3 社区资源

The following links connect to TI community resources. Linked contents are provided "AS IS" by the respective contributors. They do not constitute TI specifications and do not necessarily reflect TI's views; see TI's [Terms of Use](#).

TI E2E™ Online Community *TI's Engineer-to-Engineer (E2E) Community*. Created to foster collaboration among engineers. At e2e.ti.com, you can ask questions, share knowledge, explore ideas and help solve problems with fellow engineers.

Design Support *TI's Design Support* Quickly find helpful E2E forums along with design support tools and contact information for technical support.

11.4 商标

E2E is a trademark of Texas Instruments.

DLP is a registered trademark of Texas Instruments.

All other trademarks are the property of their respective owners.

11.5 静电放电警告



这些装置包含有限的内置 ESD 保护。存储或装卸时，应将导线一起截短或将装置放置于导电泡棉中，以防止 MOS 门极遭受静电损伤。

11.6 DMD 处理

DMD 是光学器件，故应注意避免损坏玻璃窗口。有关正确处理 DMD 的说明，请参阅《[DLPA019 DMD 处理](#)》应用手册。

11.7 Glossary

[SLYZ022](#) — *TI Glossary*.

This glossary lists and explains terms, acronyms, and definitions.

12 机械、封装和可订购信息

以下页面包含机械、封装和可订购信息。这些信息是指定器件的最新可用数据。数据如有变更，恕不另行通知，且不会对此文档进行修订。如需获取此数据表的浏览器版本，请查阅左侧的导航栏。

PACKAGING INFORMATION

Orderable Device	Status (1)	Package Type	Package Drawing	Pins	Package Qty	Eco Plan (2)	Lead finish/ Ball material (6)	MSL Peak Temp (3)	Op Temp (°C)	Device Marking (4/5)	Samples
DLP5530AFYKQ1	ACTIVE	CPGA	FYK	149	33	RoHS & Green	Call TI	N / A for Pkg Type	-40 to 105		Samples

(1) The marketing status values are defined as follows:

ACTIVE: Product device recommended for new designs.

LIFEBUY: TI has announced that the device will be discontinued, and a lifetime-buy period is in effect.

NRND: Not recommended for new designs. Device is in production to support existing customers, but TI does not recommend using this part in a new design.

PREVIEW: Device has been announced but is not in production. Samples may or may not be available.

OBSOLETE: TI has discontinued the production of the device.

(2) **RoHS:** TI defines "RoHS" to mean semiconductor products that are compliant with the current EU RoHS requirements for all 10 RoHS substances, including the requirement that RoHS substance do not exceed 0.1% by weight in homogeneous materials. Where designed to be soldered at high temperatures, "RoHS" products are suitable for use in specified lead-free processes. TI may reference these types of products as "Pb-Free".

RoHS Exempt: TI defines "RoHS Exempt" to mean products that contain lead but are compliant with EU RoHS pursuant to a specific EU RoHS exemption.

Green: TI defines "Green" to mean the content of Chlorine (Cl) and Bromine (Br) based flame retardants meet JS709B low halogen requirements of <=1000ppm threshold. Antimony trioxide based flame retardants must also meet the <=1000ppm threshold requirement.

(3) MSL, Peak Temp. - The Moisture Sensitivity Level rating according to the JEDEC industry standard classifications, and peak solder temperature.

(4) There may be additional marking, which relates to the logo, the lot trace code information, or the environmental category on the device.

(5) Multiple Device Markings will be inside parentheses. Only one Device Marking contained in parentheses and separated by a "-" will appear on a device. If a line is indented then it is a continuation of the previous line and the two combined represent the entire Device Marking for that device.

(6) Lead finish/Ball material - Orderable Devices may have multiple material finish options. Finish options are separated by a vertical ruled line. Lead finish/Ball material values may wrap to two lines if the finish value exceeds the maximum column width.

Important Information and Disclaimer:The information provided on this page represents TI's knowledge and belief as of the date that it is provided. TI bases its knowledge and belief on information provided by third parties, and makes no representation or warranty as to the accuracy of such information. Efforts are underway to better integrate information from third parties. TI has taken and continues to take reasonable steps to provide representative and accurate information but may not have conducted destructive testing or chemical analysis on incoming materials and chemicals. TI and TI suppliers consider certain information to be proprietary, and thus CAS numbers and other limited information may not be available for release.

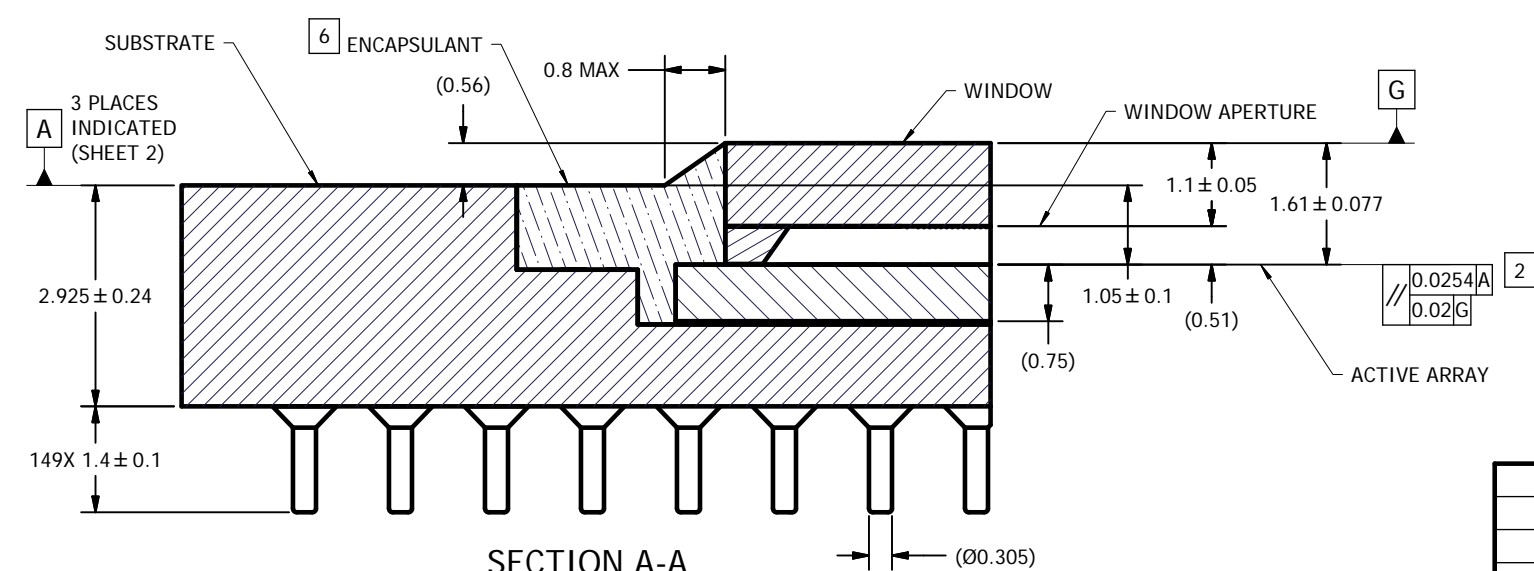
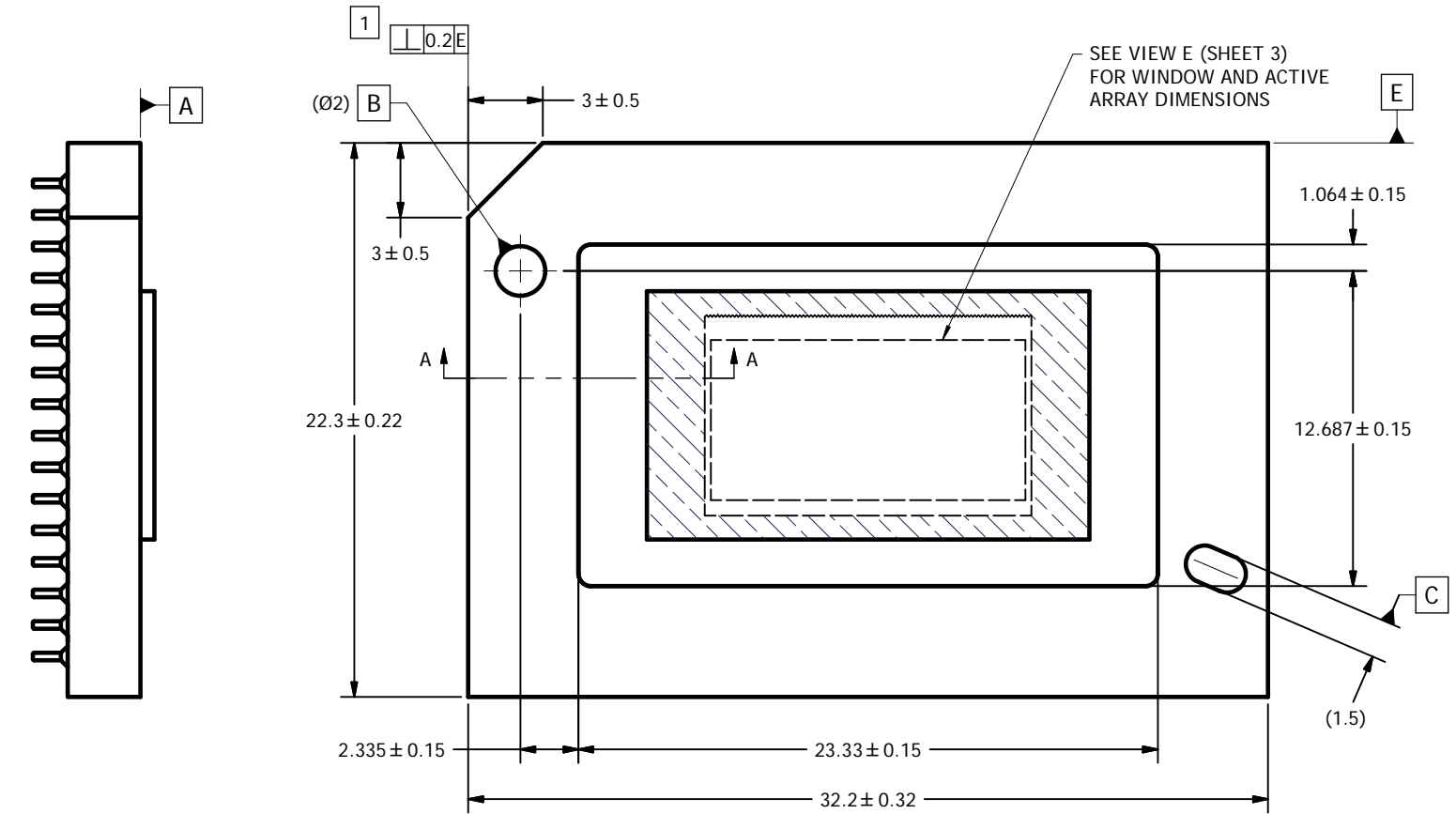
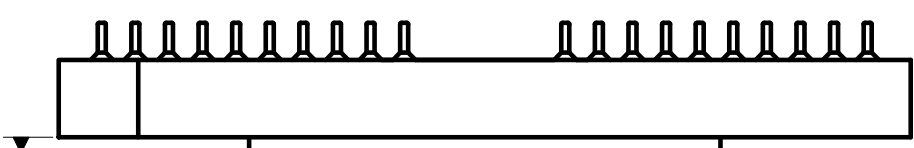
In no event shall TI's liability arising out of such information exceed the total purchase price of the TI part(s) at issue in this document sold by TI to Customer on an annual basis.

© COPYRIGHT 2015 TEXAS INSTRUMENTS
UN-PUBLISHED. ALL RIGHTS RESERVED.

REVISIONS			
REV	DESCRIPTION	DATE	BY
A	ECO 2155049: INITIAL RELEASE	12/7/2015	BMH
B	ECO 2165903: UPDATE SUBSTRATE BACK MARKING, SH. 4	4/25/2017	BMH
C	ECO 2170159: RELAX DIE HEIGHT TOL., WAS +/-0.08	11/9/2017	BMH

NOTES UNLESS OTHERWISE SPECIFIED:

- 1 SUBSTRATE EDGE PERPENDICULARITY TOLERANCE APPLIES TO ENTIRE SURFACE.
- 2 DIE PARALLELISM TOLERANCE APPLIES TO DMD ACTIVE ARRAY ONLY.
- 3 ROTATION ANGLE OF DMD ACTIVE ARRAY IS A REFINEMENT OF THE LOCATION TOLERANCE AND HAS A MAXIMUM VALUE OF 0.8 DEGREES.
- 4 SUBSTRATE SYMBOLIZATION PAD AND PLATING AT BOTTOM OF DATUMS B AND C HOLES TO BE ELECTRICALLY CONNECTED TO VSS PLANE WITHIN THE SUBSTRATE.
- 5 BOUNDARY MIRRORS SURROUNDING THE ACTIVE ARRAY.
- 6 MAXIMUM ENCAPSULANT PROFILE SHOWN.
- 7 ENCAPSULANT ALLOWED ON THE SURFACE OF THE CERAMIC IN THE AREA SHOWN IN VIEW B (SHEET 2). ENCAPSULATION SHALL NOT EXCEED 0.2 THICKNESS MAXIMUM.
- 8 INDICATED CERAMIC SUBSTRATE FEATURES TO BE PLATED WITH 0.3 MICROMETERS MINIMUM ELECTROLYTIC GOLD OVER 0.1 MICROMETER MINIMUM PALLADIUM OVER 1.27-8.89 MICROMETERS ELECTROLYTIC NICKEL PER ASTM B488-01, ASTM B679-95(2009), AND AMS-QQ-N-290, RESPECTIVELY.
- 9 NOTE THAT THE ACTIVE ARRAY CENTER IS IN A DIFFERENT LOCATION FROM ALL PRIOR SERIES 450 DMD'S.



SECTION A-A
SCALE 20 : 1

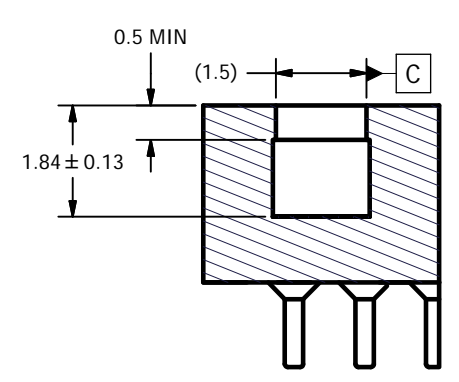
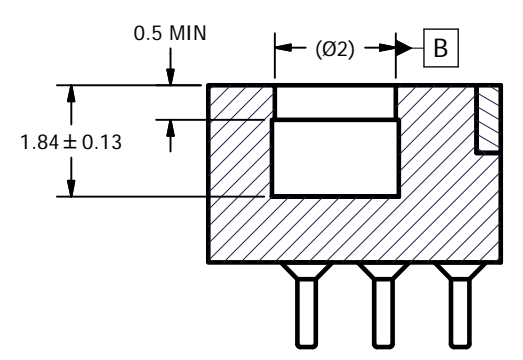
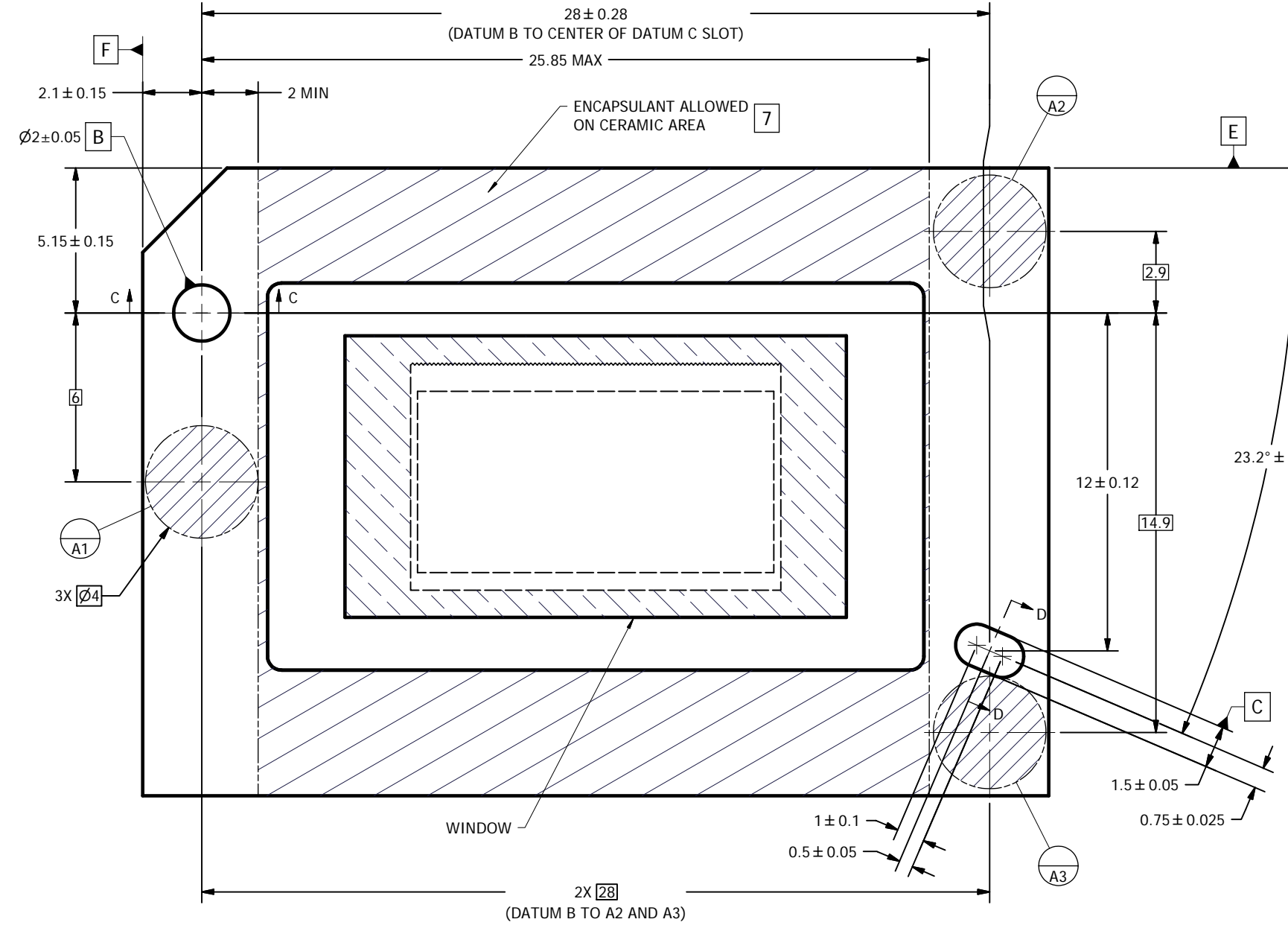
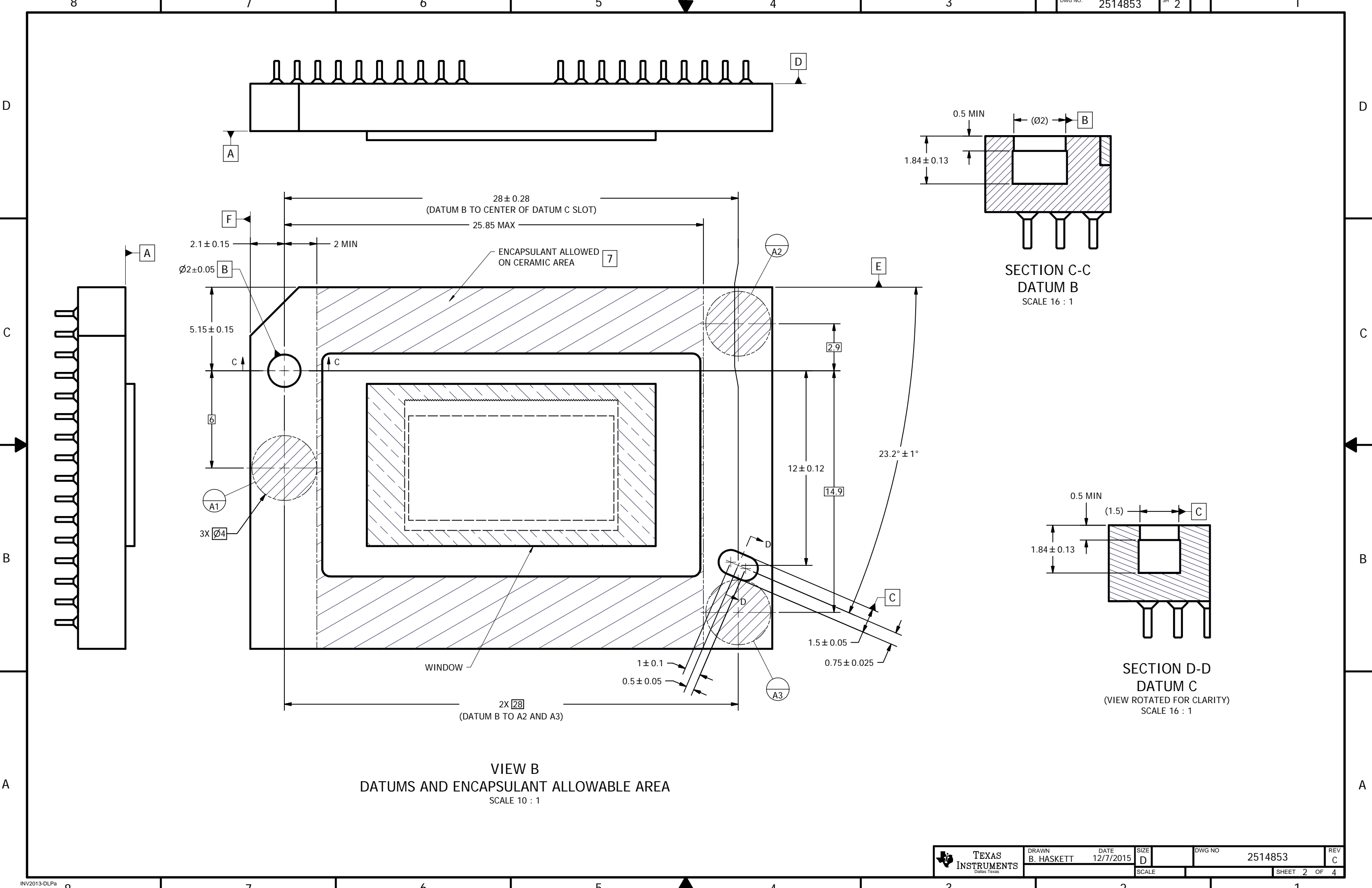
↑ INCIDENT LIGHT

THIRD ANGLE PROJECTION	NONE	0314DA
APPLICATION	NEXT ASSY	USED ON

UNLESS OTHERWISE SPECIFIED
 ● DIMENSIONS ARE IN MILLIMETERS
 ● TOLERANCES:
 ANGLES ± 1'
 2 PLACE DECIMALS ± 0.25
 1 PLACE DECIMALS ± 0.50
~~● DIMENSIONAL LIMITS APPLY BEFORE PROCEEDING~~
 ● INTERPRET DIMENSIONS IN ACCORDANCE WITH ASME Y14.5M-1994
~~● REMOVE ALL BURRS AND SHARP EDGES~~
 ● PARENTHETICAL INFORMATION FOR REFERENCE ONLY

DRAWN	DATE
B. HASKETT	12/7/2015
ENGINEER	
B. HASKETT	12/7/2015
QA/CE	
P. KONRAD	12/8/2015
CM	
S. SUSI	12/8/2015
APPROVED	
M. DORAK	12/8/2015
B. RAY	12/8/2015

 TEXAS INSTRUMENTS <small>Dallas, Texas</small>	
TITLE ICD, MECHANICAL, DMD .55 2:1 1.3MP SERIES 450 -A1 (FYK PACKAGE)	
SIZE	D
DWG NO	2514853
REV	C
SCALE	4:1
SHEET 1 OF 4	



D

D

C

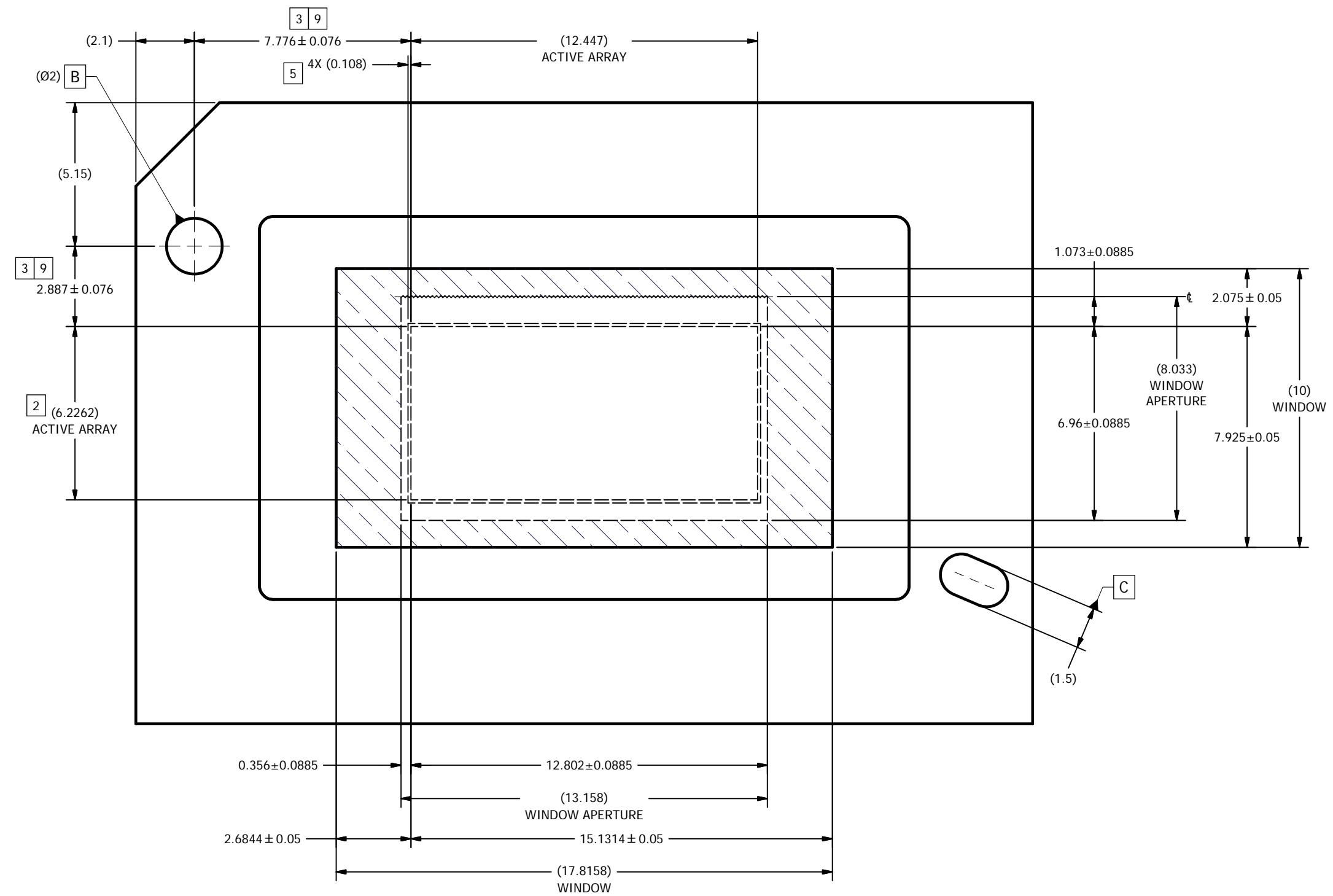
C

B

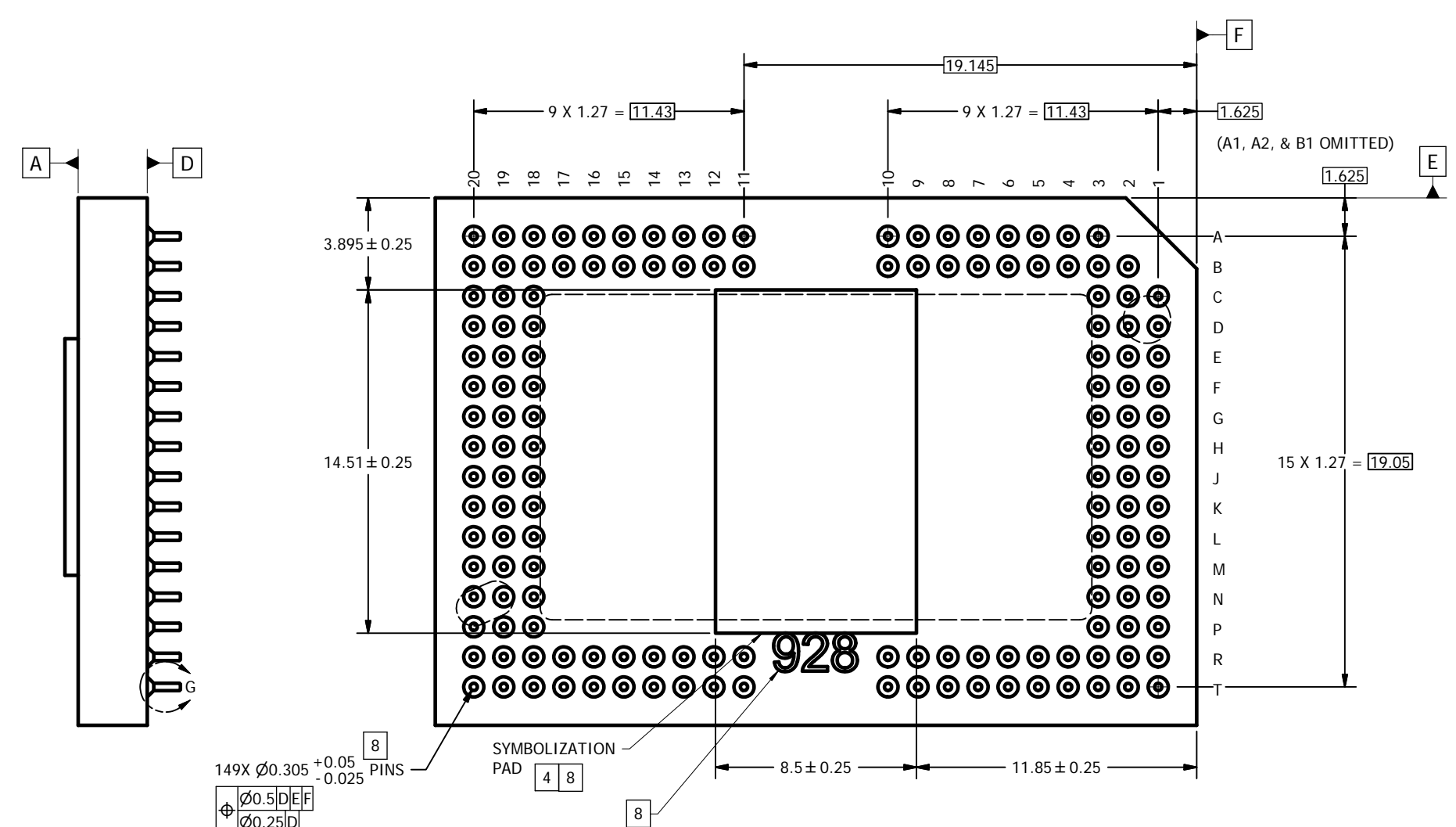
B

A

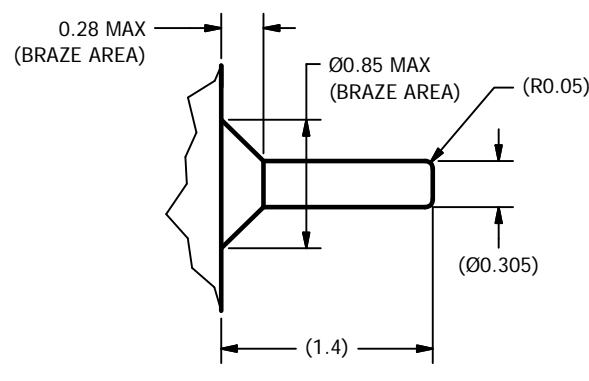
A



VIEW E
ACTIVE ARRAY AND WINDOW
SCALE 12 : 1



VIEW F
PINS AND SYMBOLIZATION PAD
SCALE 8 : 1



DETAIL G
PIN AND BRAZE DIMENSIONS
149 PLACES
SCALE 40 : 1

重要声明和免责声明

TI“按原样”提供技术和可靠性数据（包括数据表）、设计资源（包括参考设计）、应用或其他设计建议、网络工具、安全信息和其他资源，不保证没有瑕疵且不做任何明示或暗示的担保，包括但不限于对适销性、某特定用途方面的适用性或不侵犯任何第三方知识产权的暗示担保。

这些资源可供使用 TI 产品进行设计的熟练开发人员使用。您将自行承担以下全部责任：(1) 针对您的应用选择合适的 TI 产品，(2) 设计、验证并测试您的应用，(3) 确保您的应用满足相应标准以及任何其他功能安全、信息安全、监管或其他要求。

这些资源如有变更，恕不另行通知。TI 授权您仅可将这些资源用于研发本资源所述的 TI 产品的应用。严禁对这些资源进行其他复制或展示。您无权使用任何其他 TI 知识产权或任何第三方知识产权。您应全额赔偿因在这些资源的使用中对 TI 及其代表造成的任何索赔、损害、成本、损失和债务，TI 对此概不负责。

TI 提供的产品受 [TI 的销售条款](#) 或 [ti.com](#) 上其他适用条款/TI 产品随附的其他适用条款的约束。TI 提供这些资源并不会扩展或以其他方式更改 TI 针对 TI 产品发布的适用的担保或担保免责声明。

TI 反对并拒绝您可能提出的任何其他或不同的条款。

邮寄地址：Texas Instruments, Post Office Box 655303, Dallas, Texas 75265
Copyright © 2021，德州仪器 (TI) 公司