

Bq501210 输出功率为 15W 的 WPC v1.2 无线电源发射器管理器

1 特性

- 通过 Qi 认证的无线充电联盟 (WPC) v1.2 解决方案实现 15W 运行
 - 缩短充电时间
 - 向后兼容现有的 5W WPC 接收器
- 12V 至 19V 输入, 固定频率, 电源轨电压控制架构
 - 15V 至 19V 电压下可实现 15W 功率
 - 高压专用充电端口 (HVDCP) 支持 9V 和 12V 电压
 - 动态功率限制 (DPL), 允许器件由弱电源供电运行
- 符合 WPC MP-A5 发射器类型技术规范
- 通过 FOD Ping 实现增强型外来物体检测 (FOD), 可在电源传输前检测金属物体
- 空闲和“充电完成”期间低待机功耗
- 双向通信
- 数字解调减少了组件数量并简化了电路
- 支持对兼容的接收器进行快速充电
- 10 种可配置 LED 模式, 可指示充电状态和故障状态

2 应用

- WPC v1.2 无线充电器:
 - Qi 认证智能手机、平板电脑和其它手持设备
 - 销售点设备
 - 定制无线电源应用

3 说明

bq501210 是一款符合无线充电联盟 (WPC) v1.2 标准的无线电源数字控制器。该器件集成了符合 WPC 的接收器无线传输功率所需的逻辑功能, 最高能够传输 15W 功率。bq501210 也是一款智能器件, 定期向周围环境发出 ping 以搜索需要供电的设备、检测充电板上是否存在外来金属物体、为正在进行无线供电的设备监视所有通信以及根据从被供电设备收到的反馈调整施加到发射器线圈的功率。bq501210 还可以处理与功率输出相关的故障条件并控制运行模式状态指示灯。bq501210 使用电源电压控制机制代替传统的频率控制调节传送到接收器的功率。

通过与高压专用充电端口 (HVDCP) 适配器进行协商, bq501210 可选择提供 5W WPC 低功率或 15W 中等功率。

此外, 还可以凭借快速充电支持为兼容的接收器提供更高功率。

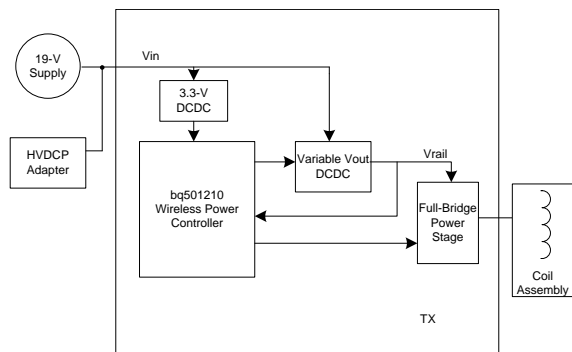
有关 TI 无线充电解决方案的更多信息, 请访问 www.ti.com.cn/wirelesspower

器件信息⁽¹⁾

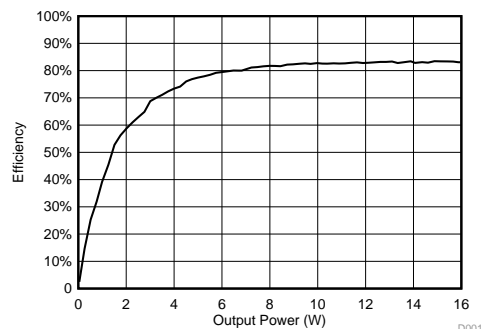
| 器件型号 | 封装 | 封装尺寸 (标称值) |
|----------|-----------|-----------------|
| bq501210 | VQFN (64) | 9.00mm x 9.00mm |

(1) 要了解所有可用封装, 请见数据表末尾的可订购产品附录。

发射器解决方案简化框图



系统效率与 WPC 15W 典型接收器的关系



目录

| | | | | | |
|----------|--|-----------|-----------|---|-----------|
| 1 | 特性 | 1 | 8.4 | Device Functional Modes | 16 |
| 2 | 应用 | 1 | 9 | Application and Implementation | 19 |
| 3 | 说明 | 1 | 9.1 | Application Information | 19 |
| 4 | 修订历史记录 | 2 | 9.2 | Typical Application | 19 |
| 5 | Device Comparison | 3 | 10 | Power Supply Recommendations | 22 |
| 6 | Pin Configuration and Functions | 4 | 11 | Layout | 22 |
| 7 | Specifications | 7 | 11.1 | Layout Guidelines | 22 |
| 7.1 | Absolute Maximum Ratings | 7 | 11.2 | Layout Example | 22 |
| 7.2 | ESD Ratings | 7 | 12 | 器件和文档支持 | 28 |
| 7.3 | Recommended Operating Conditions | 7 | 12.1 | 器件支持 | 28 |
| 7.4 | Thermal Information | 7 | 12.2 | 接收文档更新通知 | 28 |
| 7.5 | Electrical Characteristics | 8 | 12.3 | 社区资源 | 28 |
| 7.6 | Typical Characteristics | 9 | 12.4 | 商标 | 28 |
| 8 | Detailed Description | 10 | 12.5 | 静电放电警告 | 28 |
| 8.1 | Overview | 10 | 12.6 | Glossary | 28 |
| 8.2 | Functional Block Diagram | 10 | 13 | 机械、封装和可订购信息 | 28 |
| 8.3 | Feature Description | 11 | | | |

4 修订历史记录

Changes from Original (April 2016) to Revision A

Page

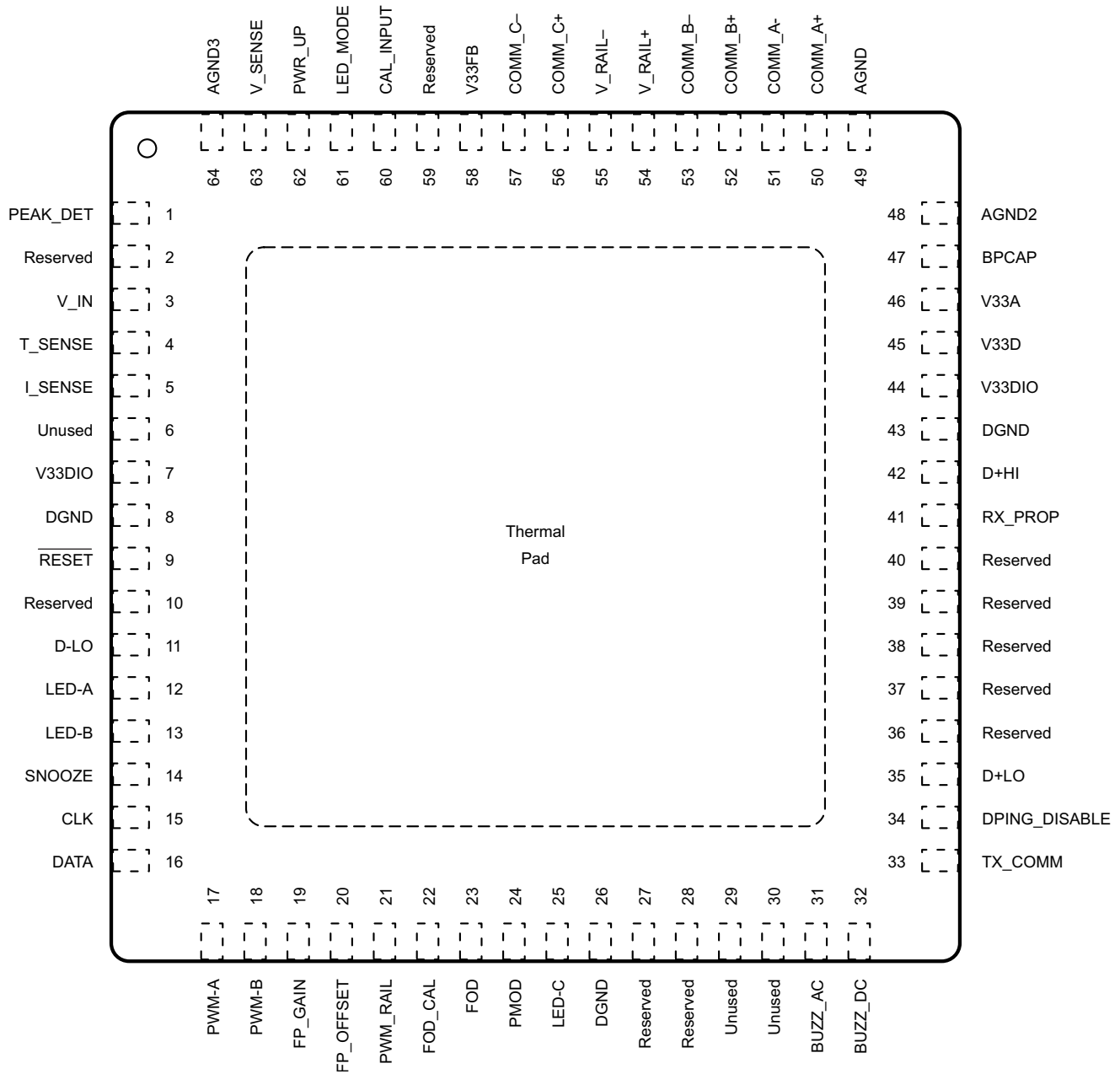
| | | |
|---|-------------------------|----------|
| • | 已从“产品预览”更改为“量产数据” | 1 |
|---|-------------------------|----------|

5 Device Comparison

| DEVICE | FUNCTION | SYSTEM VIN | PROTOCOL | MAXIMUM DELIVERED POWER | NOTE |
|---|--|-------------|----------|-------------------------|-------------------------------|
| bq500212A | Wireless Power Transmitter Manager | 5 V | WPC v1.1 | 5 W | 1 Coil |
| bq500215 | Wireless Power Transmitter Manager | 12 V | WPC v1.1 | 10 W | 1 Coil, 5 W or 10 W operation |
| bq500412 | Wireless Power Transmitter Manager | 5 V, 12 V | WPC v1.1 | 5 W | 1, 2 or 3 Coils |
| bq500414Q | Wireless Power Transmitter Manager | 12 V | WPC v1.1 | 5 W | 1, 2 or 3 Coils, Automotive |
| bq500511 bq50002 | Wireless Power Transmitter Controller Wireless Power Transmitter Analog Front End | 5 V | WPC v1.1 | 5 W | 1 Coil |
| bq501210 | Wireless Power Transmitter Manager | 12 V – 19 V | WPC v1.2 | 15 W | 1 Coil |

6 Pin Configuration and Functions

**RGC Package
64-Pin VQFN
Top View**



Pin Functions

| PIN | | I/O | DESCRIPTION |
|---------------|----------------|-----|---|
| NAME | NO. | | |
| PEAK_DET | 1 | I | Input from peak detect circuit |
| Reserved | 2 | — | This pin must be connected to GND. |
| V_IN | 3 | I | Transmitter Input Voltage Sense |
| T_SENSE | 4 | I | Sensor input. Device shuts down when below 1 V. If not used, keep above 1 V by simply connecting to 3.3-V supply |
| I_SENSE | 5 | I | Full bridge input current sense |
| Unused | 6, 29, 30 | — | This pin can be either connected to GND or left open. Connecting to GND can improve layout grounding. |
| V33DIO | 7, 44 | — | 3.3-V IO power supply |
| DGND | 8, 26, 43 | — | GND |
| RESET | 9 | I | Device reset. Use 10- to 100-k Ω pullup resistor to 3.3-V supply |
| Reserved | 10 | — | This pin must be left open. |
| D-LO | 11 | O | HVDCP interface |
| LED-A | 12 | O | Connect to an LED with a 470- Ω resistor for status indication. |
| LED-B | 13 | O | Connect to an LED with a 470- Ω resistor for status indication. |
| SNOOZE | 14 | O | Force SNOOZE (500 ms low power) |
| CLK | 15 | I | I ² C interface, Clock |
| DATA | 16 | I/O | I ² C interface, Data |
| PWM-A | 17 | O | PWM output A, controls one half of the full bridge in a phase-shifted full bridge. Switching dead times must be externally generated. |
| PWM-B | 18 | O | PWM output B, controls other half of the full bridge in a phase-shifted full bridge. Switching dead times must be externally generated. |
| FP_GAIN | 19 | O | Output to select the FOD ping calibration gain |
| FP_OFFSET | 20 | O | Output to select the FOD ping calibration offset |
| PWM_RAIL | 21 | O | PWM control signal for full bridge rail voltage |
| FOD_CAL | 22 | O | Output to select the FOD calibration |
| FOD | 23 | O | Output to select the foreign object detection (FOD) threshold |
| PMOD | 24 | O | Output to select the PMOD threshold |
| LED-C | 25 | O | Connect to an LED with a 470- Ω resistor for status indication. |
| Reserved | 27, 28 | — | This pin can be either connected to GND or left open. Connecting to GND can improve layout grounding. |
| BUZZ_AC | 31 | O | AC buzzer output. A 400-ms, 4-kHz AC pulse train when charging begins |
| BUZZ_DC | 32 | O | DC buzzer output. A 400-ms DC pulse when charging begins. This could also be connected to an LED with a 470- Ω resistor. |
| TX_COMM | 33 | O | Debug only. This pin echoes all TX_COMM |
| DPING_DISABLE | 34 | I | Disable periodic ping backup |
| D+LO | 35 | O | HVDCP interface |
| Reserved | 36, 37, 38, 39 | — | These pins must be left open. |
| Reserved | 40 | — | Reserved, connect to 10-k Ω resistor to GND |
| RX_PROP | 41 | O | Indicates RX proprietary packet received |
| D+HI | 42 | O | HVDCP interface |
| V33D | 45 | — | Digital core 3.3-V supply. Be sure to decouple with bypass capacitors as close to the part as possible. |
| V33A | 46 | — | Analog 3.3-V supply. This pin can be derived from V33D supply, decouple with 22- Ω resistor and additional bypass capacitors. |
| BPCAP | 47 | — | Connect to 1uF bypass capacitors to 3.3-V supply and GND |
| AGND2 | 48 | — | GND |
| AGND | 49 | — | GND |

Pin Functions (continued)

| PIN | | I/O | DESCRIPTION |
|-----------|-----|-----|--|
| NAME | NO. | | |
| COMM_A+ | 50 | I | Digital demodulation non-inverting input A. Connect parallel to input B+ |
| COMM_A- | 51 | I | Digital demodulation inverting input A. Connect parallel to input B- |
| COMM_B+ | 52 | I | Digital demodulation non-inverting input B. Connect parallel to input A+ |
| COMM_B- | 53 | I | Digital demodulation inverting input B. Connect parallel to input A- |
| V_RAIL+ | 54 | I | Feedback for full bridge rail voltage control + |
| V_RAIL- | 55 | I | Feedback for full bridge rail voltage control - |
| COMM_C+ | 56 | I | Digital demodulation non-inverting input C. Connect parallel to input A+ |
| COMM_C- | 57 | I | Digital demodulation inverting input C. Connect parallel to input A- |
| V33FB | 58 | I | Reserved, leave this pin open |
| Reserved | 59 | — | This pin must be connected to GND. |
| CAL_INPUT | 60 | I | Input for FOD configuration |
| LED_MODE | 61 | I | LED mode select |
| PWR_UP | 62 | I | First power-up indicator (pull high if unused) |
| V_SENSE | 63 | I | Transmitter rail voltage sense |
| AGND3 | 64 | — | GND |
| PAD | -- | — | Flood with copper GND plane and stitch vias to PCB internal GND plane |

7 Specifications

7.1 Absolute Maximum Ratings⁽¹⁾

over operating free-air temperature (unless otherwise noted)

| | MIN | MAX | UNIT |
|---|------|-----|------|
| Voltage applied at V33D to DGND | -0.3 | 3.8 | V |
| Voltage applied at V33A to AGND | -0.3 | 3.8 | |
| Voltage applied to any pin ⁽²⁾ | -0.3 | 3.8 | |
| Storage temperature, T _{stg} | -40 | 150 | °C |

- (1) Stresses beyond those listed under *Absolute Maximum Ratings* may cause permanent damage to the device. These are stress ratings only and functional operation of the device at these or any other conditions beyond those indicated under *Recommended Operating Conditions* is not implied. Exposure to absolute-maximum-rated conditions for extended periods may affect device reliability.
- (2) All voltages referenced to GND.

7.2 ESD Ratings

| | | | MAX | UNIT |
|--------------------|-------------------------|--|-------|------|
| V _(ESD) | Electrostatic discharge | Human body model (HBM), per ANSI/ESDA/JEDEC JS-001, all pins ⁽¹⁾ | ±2000 | V |
| | | Charged device model (CDM), per JEDEC specification JESD22-C101, all pins ⁽²⁾ | ±750 | |

- (1) JEDEC document JEP155 states that 500-V HBM allows safe manufacturing with a standard ESD control process.
- (2) JEDEC document JEP157 states that 250-V CDM allows safe manufacturing with a standard ESD control process.

7.3 Recommended Operating Conditions

over operating free-air temperature range (unless otherwise noted)

| | | MIN | NOM | MAX | UNIT |
|----------------|---|-----|-----|-----|------|
| V | Supply voltage during operation, V33D, V33A | 3.0 | 3.3 | 3.6 | V |
| T _A | Operating free-air temperature range | -40 | | 85 | °C |
| T _J | Junction temperature | | | 125 | |

7.4 Thermal Information

| THERMAL METRIC ⁽¹⁾ | | bq501210 | UNIT |
|-------------------------------|--|------------|------|
| | | RGC (VQFN) | |
| | | 64 Pins | |
| R _{θJA} | Junction-to-ambient thermal resistance | 29.5 | °C/W |
| R _{θJC(top)} | Junction-to-case (top) thermal resistance | 15.1 | °C/W |
| R _{θJB} | Junction-to-board thermal resistance | 8.4 | °C/W |
| ψ _{JT} | Junction-to-top characterization parameter | 0.2 | °C/W |
| ψ _{JB} | Junction-to-board characterization parameter | 8.3 | °C/W |
| R _{θJC(bot)} | Junction-to-case (bottom) thermal resistance | 1.2 | °C/W |

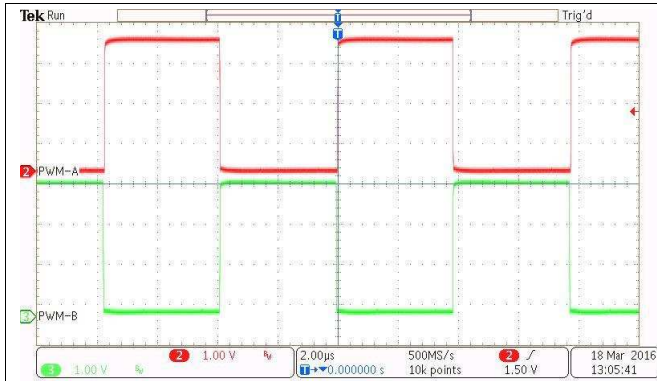
- (1) For more information about traditional and new thermal metrics, see the [Semiconductor and IC Package Thermal Metrics](#) application report.

7.5 Electrical Characteristics

over operating free-air temperature range (unless otherwise noted)

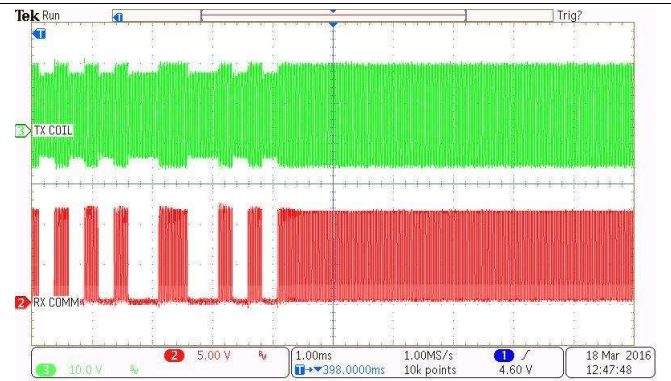
| PARAMETER | | TEST CONDITIONS | MIN | TYP | MAX | UNIT |
|--|--|--|----------------------------|--------------|--------------|---------------|
| SUPPLY CURRENT | | | | | | |
| I_{V33A} | Supply current | V33A = 3.3 V | | 8 | 15 | mA |
| I_{V33D} | | V33D = 3.3 V | | 44 | 55 | |
| I_{Total} | | V33D = V33A = 3.3 V | | 52 | 70 | |
| EXTERNALLY SUPPLIED 3.3 V POWER | | | | | | |
| V33D | Digital 3.3-V power | $T_A = 25^\circ\text{C}$ | 3 | | 3.6 | V |
| V33A | Analog 3.3-V power | $T_A = 25^\circ\text{C}$ | 3 | | 3.6 | |
| V33Slew | 3.3-V slew rate | 3.3-V slew rate between 2.3 and 2.9 V, V33A = V33D | 0.25 | | | V/ms |
| DIGITAL DEMODULATION INPUTS: COMM_A+, COMM_A-, COMM_B+, COMM_B-, COMM_C+, COMM_C- | | | | | | |
| V_{CM} | Common mode voltage each pin | | -0.15 | | 1.631 | V |
| COMM+, COMM- | Modulation voltage digital resolution | | | 1 | | mV |
| R_{EA} | Input Impedance | Ground reference | 0.5 | 1.5 | 3 | M Ω |
| I_{OFFSET} | Input offset current | 1-k Ω source impedance | -5 | | 5 | μA |
| ANALOG INPUTS: V_SENSE, I_SENSE, T_SENSE, LED_MODE, CAL_INPUT, V_IN | | | | | | |
| V_{ADC_OPEN} | Voltage indicating open pin | LED_MODE, CAL_INPUT open | 2.37 | | | V |
| V_{ADC_SHORT} | Voltage indicating pin shorted to GND | LED_MODE, CAL_INPUT shorted to ground | | | 0.36 | |
| V_{ADC_RANGE} | Measurement range for voltage monitoring | All analog inputs | 0 | | 2.5 | |
| INL | ADC integral nonlinearity | | -2.5 | | 2.5 | mV |
| I_{ikg} | Input leakage current | 3 V applied to pin | | | 100 | nA |
| R_{IN} | Input impedance | Ground reference | 8 | | | M Ω |
| C_{IN} | Input capacitance | | | | 10 | pF |
| DIGITAL INPUTS/OUTPUTS | | | | | | |
| V_{OL} | Low-level output voltage | $I_{OL} = 6 \text{ mA}$, V33D = 3 V | | | DGND1 + 0.25 | V |
| V_{OH} | High-level output voltage | $I_{OH} = -6 \text{ mA}$, V33D = 3 V | V33D - 0.6 | | V | |
| V_{IH} | High-level input voltage | V33D = 3 V | 2.1 | | 3.6 | |
| V_{IL} | Low-level input voltage | V33D = 3.5 V | | | 1.4 | |
| $I_{OH(MAX)}$ | Output high-source current | | | | 4 | mA |
| $I_{OL(MAX)}$ | Output low-sink current | | | | 4 | |
| SYSTEM PERFORMANCE | | | | | | |
| V_{RESET} | Voltage where device comes out of reset | V33D pin | | | 2.4 | V |
| t_{RESET} | Pulse duration needed for reset | $\overline{\text{RESET}}$ pin | 2 | | | μs |
| f_{SW} | Switching frequency (wireless power transfer) | System input power at startup | > 6 V | 130 | | kHz |
| | | | < 6 V | 110 | | |
| | | | < 6 V, HVDCCP to 9 or 12 V | 130 | | |
| t_{detect} | Time to detect presence of device requesting power | | | | 0.5 | s |
| Write_Cycles | Number of nonvolatile erase/write cycles | $T_J = 25^\circ\text{C}$ | 20 | | | k cycles |
| PWM RAIL | | | | | | |
| f_{SW_RAIL} | Switching frequency | | | $4 * f_{SW}$ | | kHz |

7.6 Typical Characteristics



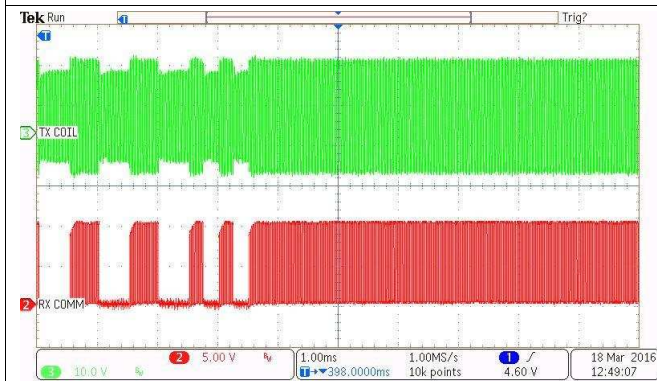
CH2 = PWM-A (1 V / Division)
CH3 = PWM-B (1 V / Division)

Figure 1. Typical PWM-A and PWM-B Signals



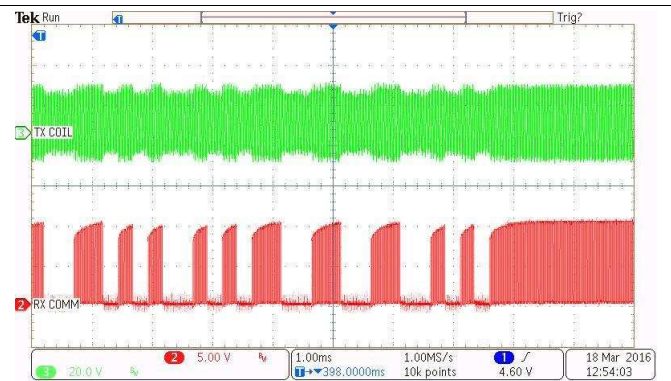
CH2 = RX communication signal (5 V / Division)
CH3 = TX coil voltage (10 V / Division)

Figure 2. TX Coil and RX Communication Signals With RX No Load



CH2 = RX communication signal (5 V / Division)
CH3 = TX coil voltage (10 V / Division)

Figure 3. TX Coil and RX Communication Signals With RX 5-W Load



CH2 = RX communication signal (5 V / Division)
CH3 = TX coil voltage (20 V / Division)

Figure 4. TX Coil and RX Communication Signals With RX 15-W Load

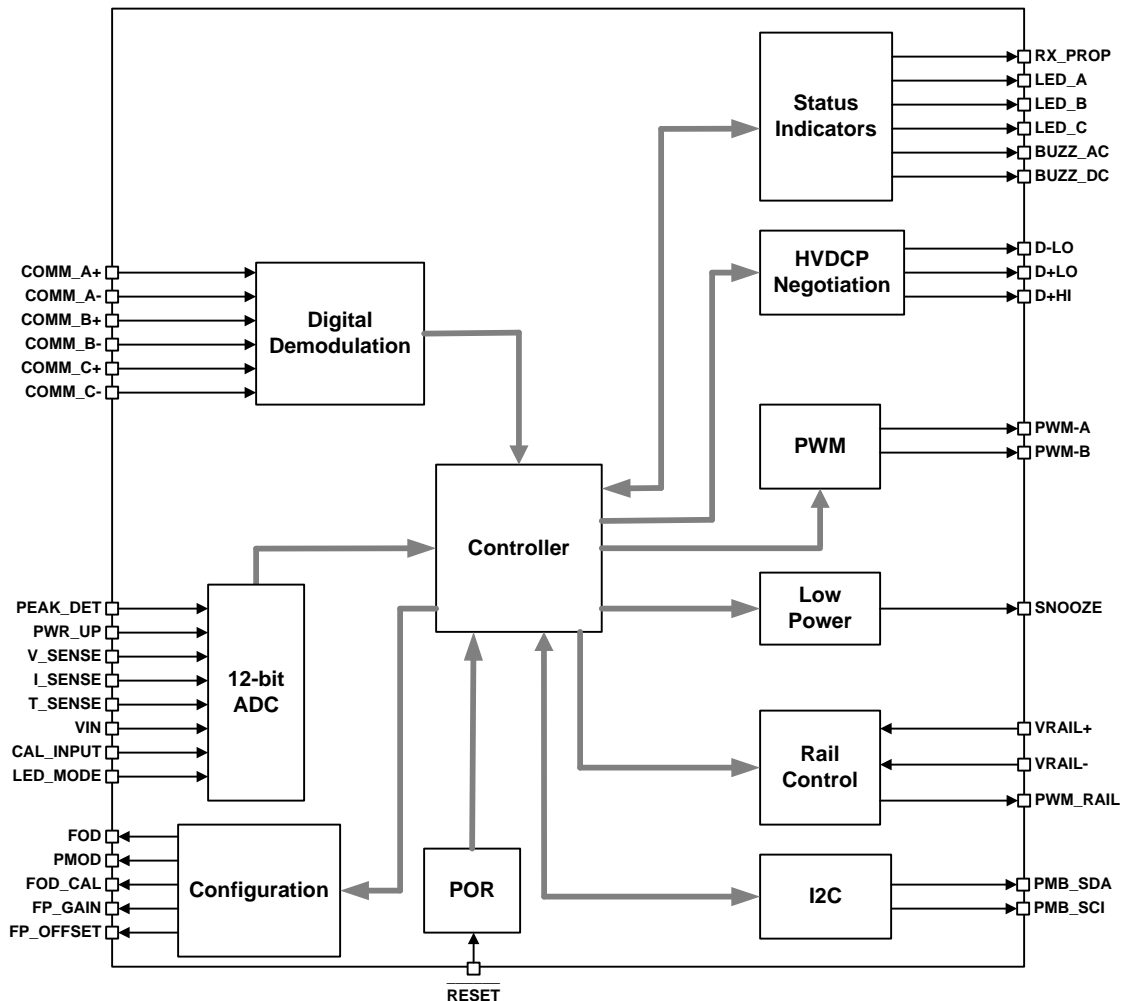
8 Detailed Description

8.1 Overview

The principle of wireless power transfer is simply an open-cored transformer consisting of transmitter and receiver coils. The transmitter coil and electronics are typically built into a charger pad and the receiver coil and electronics are typically built into a portable device, such as a cell phone. When the receiver coil is positioned on the transmitter coil, magnetic coupling occurs when the transmitter coil is driven. The flux is coupled into the secondary coil, which induces a voltage and current flows. The secondary voltage is rectified, and power can be transferred effectively to a load, wirelessly. Power transfer can be managed through any of the various closed-loop control schemes.

After power is applied and the device comes out of reset, it can automatically begin the process of detecting and powering a receiver. The bq501210 sends a ping to detect the presence of a receiver on the pad. After a receiver is detected, the bq501210 attempts to establish communication and begin power transfer. If the transmitter detects a v1.2 medium power WPC compliant receiver, it negotiates a maximum power with the receiver and provides the requested power (up to 15 W). If the transmitter detects the bq51025 receiver through its proprietary authentication protocol, the transmitter allows 10-W operation. If a standard 5-W WPC compliant receiver is detected, the transmitter allows 5-W of delivered power as per WPC specification. The bq501210 controls a full-bridge power stage to drive the primary coil. It regulates the power being delivered to the receiver by modulating the supply voltage of the power stage while operating at a constant frequency. The full bridge power stage allows for higher power delivery for a given supply voltage.

8.2 Functional Block Diagram



Copyright © 2016, Texas Instruments Incorporated

8.3 Feature Description

8.3.1 MP-A5 Coil Specification

The bq501210 controller supports MP-A5 TX coil type. The coil and matching capacitor specification for MP-A5 transmitter has been established by the WPC Standard. This is fixed and cannot be changed on the transmitter side.

For a current list of coil vendors, see *bqTESLA Transmitter Coil Vendors*, [SLUA649](#).

8.3.2 High Voltage Dedicated Charging Port (HVDCP) Negotiation

If the system input voltage is detected to be < 6 V at startup, the bq501210 attempts to negotiate for higher input voltage.

8.3.3 Fast Charge Support

The bq501210 attempts to negotiate with receiver devices supporting Fast Charge operation to provide additional power for rapid charging.

8.3.4 Option Select Pins

There are two option select pins (pin 60, CAL_INPUT, and pin 61, LED_MODE) on the bq501210 and five selector outputs (pins 19, 20, 22, 23, and 24) used to read multiple voltage thresholds. All the pin voltages will be read by bq501210 at power-up.

- Pin 60 (CAL_INPUT) is used to program the FOD algorithms.
- Pin 61 (LED_MODE) is used to select the LED mode of the device.
- Pins 19, 20, 22, 23, and 24 are used to sequentially bias the five programming resistors shown in [Figure 5](#).

At power-up, a bias current is applied to pins LED_MODE and CAL_INPUT, and the resulting voltage is measured to identify the value of the attached programming resistor. For LED_MODE, the selected bin determines the LED behavior based on [Table 3](#). For the CAL_INPUT, the FP_GAIN, FP_OFFSET, FOD_CAL, FOD and PMOD pins are biased sequentially to measure each pins resistance. The selected bin sets various calibration parameters based on [Table 1](#). See [FOD and Parasitic Metal Object Detect \(PMOD\) Calibration](#) for more information.

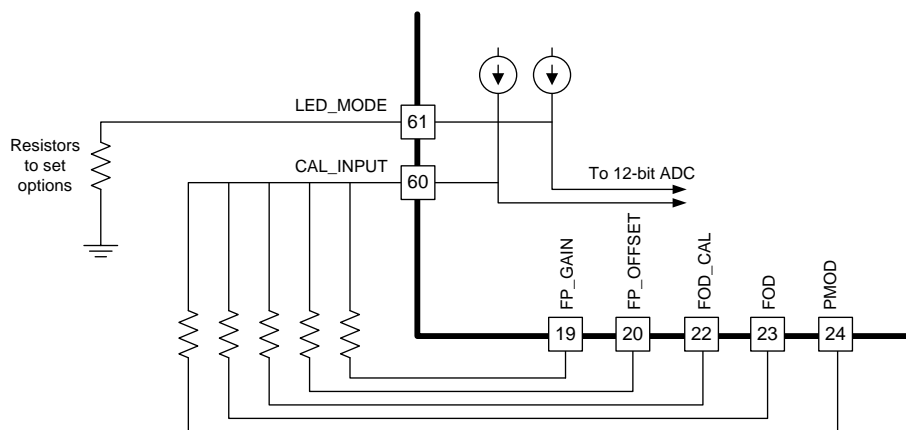


Figure 5. Pin Connections for CAL_INPUT and LED_MODE

8.3.5 FOD and Parasitic Metal Object Detect (PMOD) Calibration

The bq501210 supports multiple levels of protection against heating metal objects placed in the magnetic field. An initial analysis of the impulse response to a short ping (FOD ping) detects most metal objects before any power transfer is initiated. If a foreign metallic object is detected by the FOD ping, an FOD warning is issued (see [Table 3](#)) for up to 6 seconds after the object is removed. If a potential foreign object is detected, the bq501210 transmitter will postpone the FOD determination until the receiver sends the WPC standard "FOD Status Packet" during WPC v1.2 negotiations. After power transfer has started, improved FOD (WPC v1.2) and enhanced

Feature Description (continued)

PMOD (WPC v1.0) features continuously monitor input power, known losses, and the value of power reported by the RX device being charged. Using these inputs, the bq501210 can estimate how much power is unaccounted for and presumed lost due to metal objects placed in the wireless power transfer path. If this unexpected loss exceeds the threshold set by the FOD or PMOD resistors, a fault is indicated and power transfer is halted. The ID packet of the receiver being charged determines whether the FOD or PMOD algorithm is used. The ultimate goal of the FOD feature is safety, to protect misplaced metal objects from becoming hot. Reducing the loss threshold and making the system too sensitive leads to false trips and a bad user experience. Find the balance which best suits the application. If the application requires disabling one function or the other (or both), it is possible by leaving the respective FOD/PMOD terminal open. For example, to selectively disable the PMOD function, PMOD should be left open. A final level of protection is provided with an optional temperature sensor to detect any large increase in temperature in the system (see [Shut Down Through External Thermal Sensor or Trigger](#)).

NOTE

Disabling FOD results in a TX solution that is not WPC v1.1 or WPC v1.2 compliant.

Resistors of 1% tolerance should be used for a reliable selection of the desired threshold. Resistors on the FOD and PMOD pins program the permitted power loss for the FOD and PMOD algorithms respectively. The FOD_CAL resistor can be used to compensate for any load-dependent effect on the power loss. Using a calibrated FOD reference receiver with no foreign objects present, the FOD_CAL resistor should be selected such that the calculated loss across the load range is substantially constant (within approximately 100 mW). After correcting for the load dependence, the FOD and PMOD thresholds should be re-set above the resulting average by approximately 400 mW for the transmitter to satisfy the WPC requirements on tolerated heating.

Contact TI for the TX tuning tool to set appropriate FOD, PMOD, and FOD_CAL resistor values for your design.

Table 1. Option Select Bins

| Bin Number | Resistance (k Ω) | Loss Threshold (mW) |
|------------|--------------------------|---------------------|
| 0 | <36.5 | 250 |
| 1 | 42.2 | 300 |
| 2 | 48.7 | 350 |
| 3 | 56.2 | 400 |
| 4 | 64.9 | 450 |
| 5 | 75.0 | 500 |
| 6 | 86.6 | 550 |
| 7 | 100 | 600 |
| 8 | 115 | 650 |
| 9 | 133 | 700 |
| 10 | 154 | 750 |
| 11 | 178 | 800 |
| 12 | 205 | 850 |
| 13 | >237 | Feature disabled |

8.3.6 FOD Ping Calibration

The bq501210 is able to detect most metal objects in the charging pad by analyzing the impulse response to a short ping (FOD ping) sent before any power transfer is initiated. The bq501210 does this analysis by measuring the change in resonant frequency and decay of the pulse response and comparing it to given threshold values that are set by resistor in FP_GAIN and FP_OFFSET pins.

Resistors of 1% tolerance should be used for a reliable selection of the desired threshold. The FP_GAIN and FP_OFFSET resistors program the boundary conditions to determine if a receiver or a metal object is detected. The recommended resistor value for both FP_GAIN and FP_OFFSET pins is 86.6 kΩ.

Contact TI for inquiries regarding FOD ping calibration.

NOTE

Removing resistors from FP_OFFSET and FP_GAIN pins disables FOD ping and hence foreign object detection prior to power transfer. The Received Power calibration relies on this detection, and thus, the FOD ping is required for WPC v1.2 Medium Power transmitter designs.

8.3.7 Shut Down Through External Thermal Sensor or Trigger

Typical applications of the bq501210 do not require additional thermal protection. This shutdown feature is provided for enhanced applications and is not limited to thermal shutdown. The key parameter is the 1-V threshold on the T_SENSE pin. A voltage below 1 V on T_SENSE causes the device to shut down.

The application of thermal monitoring through a negative temperature coefficient (NTC) sensor, for example, is straightforward. The NTC forms the lower leg of a temperature-dependant voltage divider. The NTC leads are connected to the bq501210 device between T_SENSE and GND. The threshold on T_SENSE is set to 1 V, below which the system shuts down and a fault is indicated (depending on LED mode chosen).

To implement this feature follow these steps:

1. Consult the NTC data sheet and find the resistance versus temperature curve.
2. Determine the actual temperature where the NTC will be placed by using a thermal probe.
3. Read the NTC resistance at that temperature in the NTC data sheet, that is R_NTC.
4. Use the following formula to determine the upper leg resistor (R_Setpoint):

$$R_Setpoint = 2.3 \times R_NTC \tag{1}$$

The system restores normal operation after approximately five minutes or if the receiver is removed. If the feature is not used, this pin must be pulled high (typically to V33A).

NOTE

T_SENSE must always be terminated; otherwise, erratic behavior may occur.

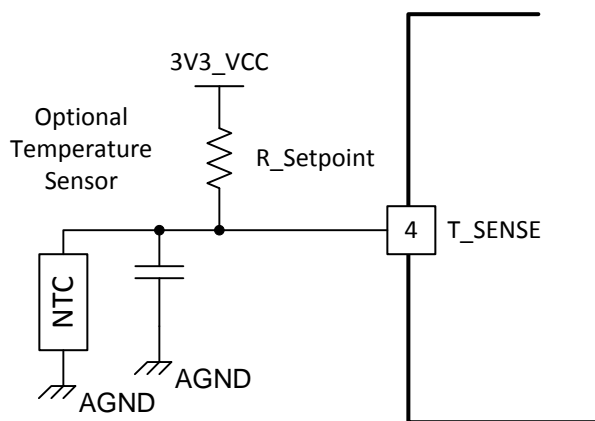


Figure 6. NTC Application

8.3.8 Fault Handling and Indication

Table 2 shows end power transfer (EPT) packet responses, fault conditions, and the duration of how long the condition lasts until a retry is attempted. The LED mode selected determines how the LED indicates the condition or fault.

Table 2. Fault Handling and Indication

| CONDITION | TYPICAL DURATION ⁽¹⁾ (BEFORE RETRY) | HANDLING |
|-----------------------|---|--|
| EPT-00 | Immediate ⁽²⁾ | Unknown |
| EPT-01 | up to 5 seconds ⁽³⁾ | Charge complete |
| EPT-02 | Infinite | Internal fault |
| EPT-03 | 5 minutes | Over temperature |
| EPT-04 | Immediate ⁽²⁾ | Over voltage |
| EPT-05 | Immediate ⁽²⁾ | Over current |
| EPT-06 | Infinite | Battery failure |
| EPT-07 | Not applicable | Reserved |
| EPT-08 | Immediate ⁽²⁾ | No response |
| EPT-09 | Not applicable | Reserved |
| EPT-0A | Immediate | Negotiation Failure |
| EPT-0B | Immediate | Restart Power Transfer |
| OVP (over voltage) | Immediate ⁽²⁾ | |
| OC (over current) | 1 minute | |
| NTC (external sensor) | 5 minutes | |
| PMOD/FOD warning | 6 seconds | 0 to 4 seconds LED only, 4 to 6 seconds LED + AC and DC buzzers |
| PMOD/FOD | 5 minutes | |

- (1) After a FAULT, the magnetic field is recharacterized to improve the ability to detect the removal of the at-fault receiver. If the receiver is removed in the first second immediately following the detection of this fault (before the re-characterization is complete), the field corresponding to an empty pad may be associated with the faulty receiver and the LED indication may continue to indicate a fault state even though no receiver is present. This indication persists until either the HOLDOFF time expires or a new receiver disturbs the field, at which time normal operation, with proper LED indication, is resumed.
- (2) Immediate is <1 s.
- (3) The TX may retry immediately (<1 s) to start power after first EPT-01 is received. If the receiver is continuously sending EPT-01, the TX holdoff time will be 5 seconds

8.3.9 Power Transfer Start Signal

The bq501210 features two signal outputs to indicate that power transfer has begun. BUZZ_AC outputs a 400-ms duration, 4-kHz square wave for driving low cost AC type ceramic buzzers. BUZZ_DC outputs logic high, also for 400-ms, which is suitable for DC type buzzers with built-in tone generators, or as a trigger for any type of customized indication scheme. Do not exceed 4-mA loading from either of these pins which is more than adequate for small signaling and actuation. If not used, these pins should be left open.

8.3.10 Power-On Reset

The bq501210 has an integrated power-on reset (POR) circuit which monitors the supply voltage and handles the correct device startup sequence. Additional supply voltage supervisor or reset circuits are not needed.

8.3.11 External Reset, $\overline{\text{RESET}}$ Pin

The bq501210 can be forced into a reset state by an external circuit connected to the $\overline{\text{RESET}}$ pin. A logic low voltage on this pin holds the device in reset. For normal operation, this pin is pulled up to 3.3-V supply (V33A) with a 10-k Ω pullup resistor.

8.3.12 Trickle Charge and CS100

The WPC specification provides an EPT message (EPT-01) to indicate charge complete. Upon receipt of the charge complete message, the bq501210 disables the output and changes the LED indication. The exact indication depends on the LED_MODE chosen.

In some battery charging applications, there is a benefit to continue the charging process in trickle-charge mode to top off the battery. The WPC specification provides for an informational 'Charge Status' packet that conveys the level of battery charger. The bq501210 uses this command to enable top-off charging. The bq501210 changes the LED indication to reflect charge complete when a Charge Status message is 100% received, but unlike the response to an EPT, it will not halt power transfer while the LED indicates charge complete. The mobile device can use a CS100 packet to enable trickle charge mode.

If the reported charge status drops below 90%, normal charging indication is resumed.

8.4 Device Functional Modes

8.4.1 LED Modes

The bq501210 can directly drive three LED outputs (LED-A, LED-B, and LED-C, refer to the table in [Pin Configuration and Functions](#)) through a simple current limit resistor (typically 475 Ω), based on the mode selected. The three current limit resistors can be individually adjusted to tune or match the brightness of the LEDs. Do not exceed the maximum output current rating of the device.

The selection resistor, connected between pin 61 and GND, selects one of the desired LED indication schemes presented in [Table 3](#). Note that some options require fewer LEDs to implement than others.

Table 3. LED Modes

| LED CONTROL OPTION | LED SELECTION RESISTOR | LED | OPERATIONAL STATES | | | | | |
|--------------------|------------------------|-------|---|---------------------------|-----------------|---------------------------|---------------------------|------------------------------------|
| | | | STANDBY | POWER TRANSFER | CHARGE COMPLETE | FAULT | FOD Warning | High Power Transfer ⁽¹⁾ |
| 0 | <36.5 kΩ | LED_A | LED CONTROL OPTION 0 disables SNOOZE - Used in system debug only. | | | | | |
| | | LED_B | | | | | | |
| | | LED_C | | | | | | |
| 1 | 42.2 kΩ | LED_A | Off | Blink slow ⁽²⁾ | On | Off | Off | Blink fast ⁽³⁾ |
| | | LED_B | Off | Off | Off | On | Blink fast ⁽³⁾ | Off ⁽³⁾ |
| | | LED_C | — | — | — | — | — | — |
| 2 | 48.7 kΩ | LED_A | On | Blink slow ⁽²⁾ | On | Off | Off | Blink fast ⁽³⁾ |
| | | LED_B | On | Off | Off | On | Blink fast ⁽³⁾ | Off ⁽³⁾ |
| | | LED_C | — | — | — | — | — | — |
| 3 ⁽⁴⁾ | 56.2 kΩ | LED_A | Off | On | Off | Blink fast ⁽³⁾ | On | On |
| | | LED_B | — | — | — | — | — | — |
| | | LED_C | — | — | — | — | — | — |
| 4 | 64.9 kΩ | LED_A | Off | On | Off | Off | Off | On |
| | | LED_B | Off | Off | Off | On | Blink fast ⁽³⁾ | Off |
| | | LED_C | — | — | — | — | — | — |
| 5 | 75 kΩ | LED_A | Off | Off | On | Off | Off | Off |
| | | LED_B | Off | On | Off | Off | On | On |
| | | LED_C | Off | Off | Off | Blink slow ⁽²⁾ | Off | Off |
| 6 | 86.6 kΩ | LED_A | Off | Blink slow ⁽²⁾ | On | Off | Off | Blink fast ⁽³⁾ |
| | | LED_B | Off | Off | Off | On | Blink fast ⁽³⁾ | Off |
| | | LED_C | Off | Off | Off | Off | Off | Off |
| 7 | 100 kΩ | LED_A | Off | Blink slow ⁽²⁾ | Off | Off | Off | Blink fast ⁽³⁾ |
| | | LED_B | Off | Off | On | Off | Off | Off |
| | | LED_C | Off | Off | Off | On | Blink fast ⁽³⁾ | Off |
| 8 | 115 kΩ | LED_A | Off | Off | On | Blink slow ⁽²⁾ | Off | Off |
| | | LED_B | Off | On | Off | Blink slow ⁽²⁾ | On | On |
| | | LED_C | — | — | — | — | — | — |
| 9 | 133 kΩ | LED_A | Off | Blink slow ⁽²⁾ | On | Off | Off | Blink fast ⁽³⁾ |
| | | LED_B | Off | OFF | Off | On | Blink fast ⁽³⁾ | Off |
| | | LED_C | — | — | — | — | — | — |
| 10 | 154 kΩ | LED_A | Off | On | Off | Blink fast ⁽³⁾ | On | On |
| | | LED_B | Off | Off | On | Off | Off | Off |
| | | LED_C | — | — | — | — | — | — |

- (1) Power transfer when operating with bq51025 wireless power receiver in 10-W mode.
- (2) Blink slow = 0.625 Hz
- (3) Blink fast = 2.5 Hz
- (4) The indication of the shutdown after an negative temperature coefficient (NTC) event may experience a delay in the rapid LED blinking even though the power transfer has been disabled. The indication delay may persist up to as long as the entire NTC FAULT holdoff time.

8.4.2 Power Transfer

Power transfer depends on coil coupling. Coupling depends on the distance between coils, alignment, coil dimensions, coil materials, number of turns, magnetic shielding, impedance matching, frequency, and duty cycle.

Most importantly, the receiver and transmitter coils must be aligned for best coupling and efficient power transfer. The smaller the space between the coils, the better the coupling.

Shielding is added as a backing to both the transmitter and receiver coils to direct the magnetic field to the coupled zone. Magnetic fields outside the coupled zone do not transfer power. Thus, shielding also serves to contain the fields to avoid coupling to other adjacent system components.

Regulation can be achieved by controlling any one of the coil coupling parameters. However, for WPC v1.2 compatibility, the transmitter-side coils and capacitance are specified and the resonant frequency point is fixed. Power transfer is regulated by changing the supply voltage to the full-bridge power stage; higher voltage delivers more power. Duty cycle remains constant at 50% throughout the power band and frequency also remains constant at 130 kHz.

The WPC standard describes the dimensions, materials of the coils, and information regarding the tuning of the coils to resonance. The value of the inductor and resonant capacitor are critical to proper operation and system efficiency.

8.4.3 Communication

Most communication within the WPC is from the receiver to the transmitter, where the receiver tells the transmitter to send power and how much. To regulate, the receiver must communicate with the transmitter whether to increase or decrease the power level. The receiver monitors the rectifier output and using amplitude modulation (AM), sends packets of information to the transmitter. A packet is comprised of a preamble, a header, the actual message, and a checksum, as defined by the WPC standard.

The receiver sends a packet by modulating an impedance network. This AM signal reflects back as a change in the voltage amplitude on the transmitter coil. The signal is demodulated and decoded by the transmitter-side electronics and the voltage on the inverter is adjusted to close the regulation loop. The bq501210 features internal digital demodulation circuitry.

The modulated impedance network on the receiver can either be resistive or capacitive. Figure 7 shows the resistive modulation approach, where a resistor is periodically added to the load, and the resulting amplitude change in the transmitter voltage. Figure 8 shows the capacitive modulation approach, where a capacitor is periodically added to the load and the resulting amplitude change in the transmitter voltage.

In the WPC v1.2 specification, transmitter to receiver communication is introduced to allow a medium power receiver to negotiate for higher power while maintaining backward compatibility with low power (v1.1) devices.

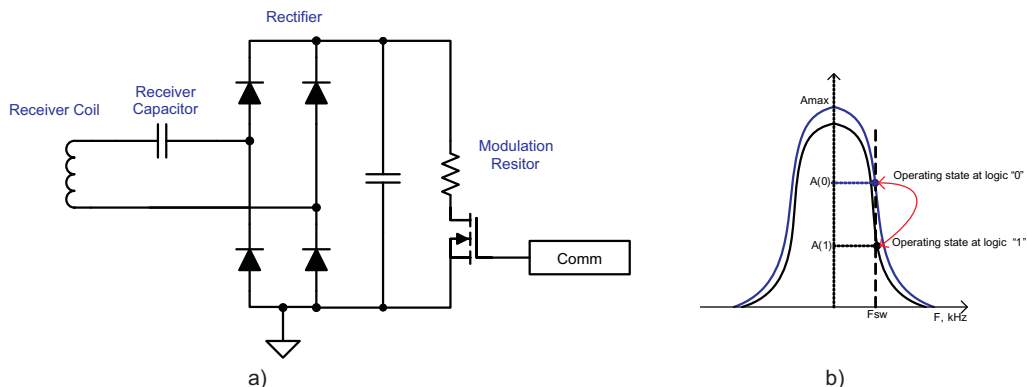


Figure 7. Receiver Resistive Modulation Circuit

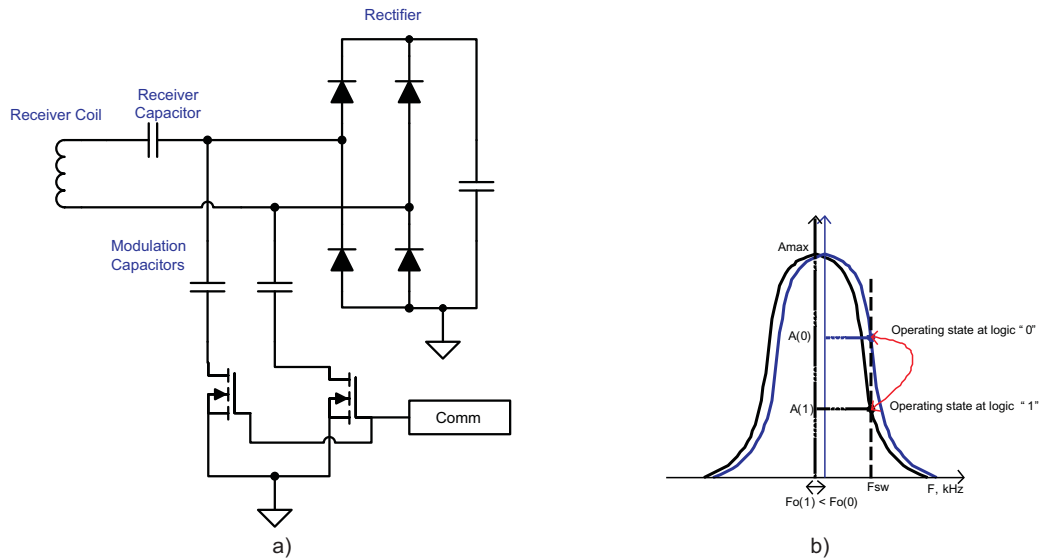


Figure 8. Receiver Capacitive Modulation Circuit

The bq501210 also supports a proprietary handshake with the bq51025 in which minimal communication from the TX to the RX is used. This proprietary handshake enables the bq501210 to deliver power to the bq51025 receiver at levels higher than 5 W. The transmitter-to-receiver communication is achieved through frequency modulation of the power signal.

8.4.4 Power Trains

The bq501210 drives a full-bridge power stage, which drives the coil assembly. TI recommends the bq500101 (SLPS585) as the driver-plus-MOSFET device for this application. The supply voltage (V_{rail}) is controlled by the bq501210 device.

8.4.5 Power Train Voltage Control

The bq501210 controls power delivery by modulating the supply voltage (V_{rail}) of the power stage driving the coil assembly. The bq501210 device generates a PWM control signal in the PWM_RAIL terminal that controls an external power stage circuit (TI recommends bq500101). The switching frequency for this DC-DC controller signal is 520 kHz.

8.4.6 Signal Processing Components

The COMM signal used to control power transfer is derived from the coil voltage. The AC coupled coil voltage is scaled down to a manageable level and biased to a 1-V offset. Series connected diodes are provided for protection from any possible transients.

9 Application and Implementation

NOTE

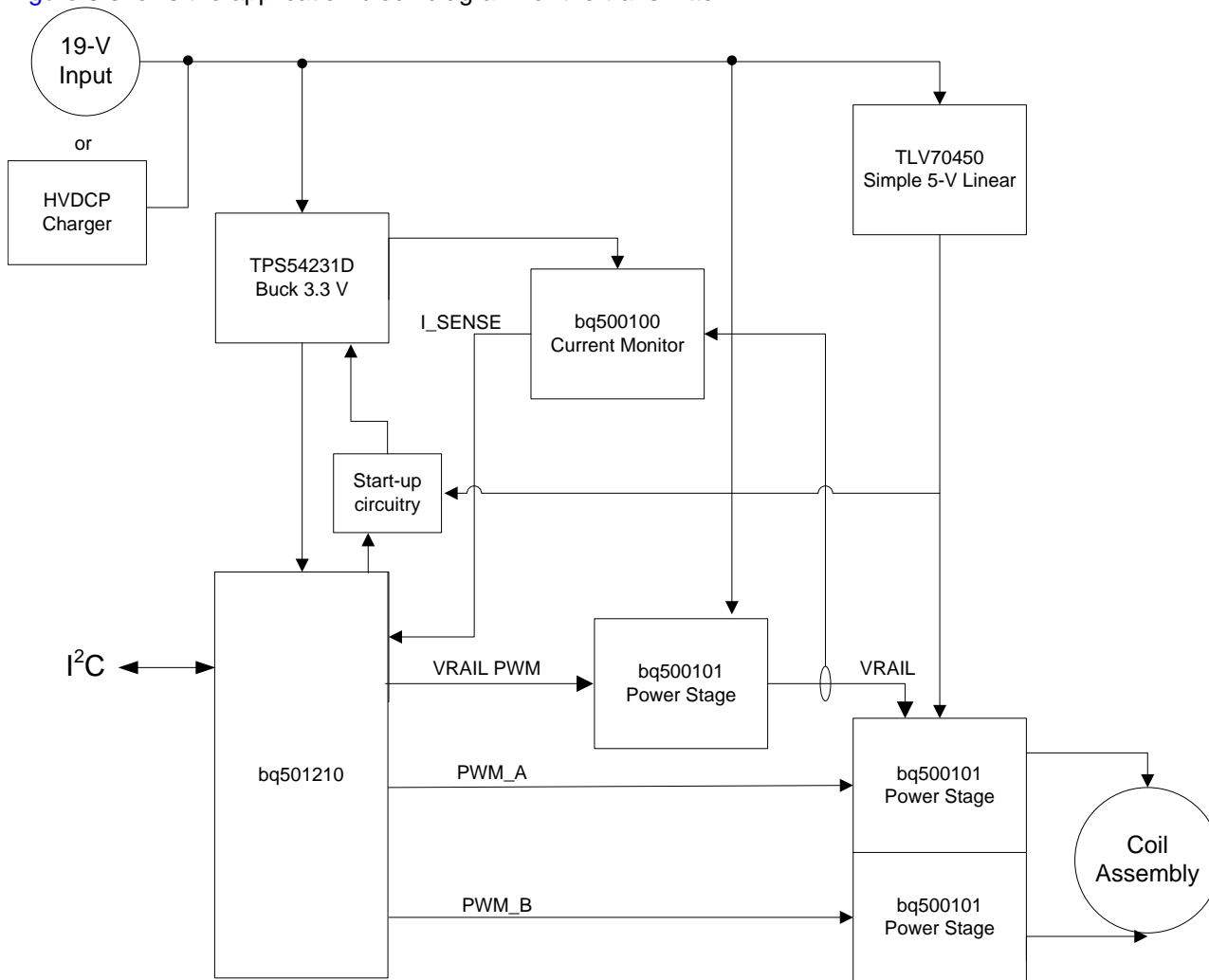
Information in the following applications sections is not part of the TI component specification, and TI does not warrant its accuracy or completeness. TI's customers are responsible for determining suitability of components for their purposes. Customers should validate and test their design implementation to confirm system functionality.

9.1 Application Information

The bq501210 device is a wireless power transmitter controller designed for 15-W WPC compliant applications and 5-W applications with WPC v1.1 low power receivers. It integrates all functions required to control wireless power transfer to a WPC v1.2 compliant receiver. Several tools are available for the design of the system. See the product folder (www.ti.com/product/bq501210) for more details. The following sections highlight some of the system design considerations.

9.2 Typical Application

Figure 9 shows the application block diagram for the transmitter.



Copyright © 2016, Texas Instruments Incorporated

Figure 9. bq501210 System Diagram

Typical Application (continued)

9.2.1 Design Requirements

Table 4. Design Parameters

| DESIGN PARAMETER | VALUE |
|------------------|--|
| WPC coil type | MP-A5 |
| Input voltage | 15 V to 19 V provides full 15-W operation. HVDCP negotiated 9 V or 12 V provides < 15 W 5 V provides up to 4.5 W |

9.2.2 Detailed Design Procedure

9.2.2.1 Capacitor Selection

Capacitor selection is critical to proper system operation. The total capacitance value of $2 \times 100 \text{ nF} + 47 \text{ nF}$ is required in the resonant tank. This is the WPC system compatibility requirement, not a guideline.

NOTE

A total capacitance value of $2 \times 100 \text{ nF} + 47 \text{ nF}$ (C0G dielectric type, 100-V rating) is required in the resonant tank to achieve the correct resonance frequency.

The capacitors chosen must be rated for at least 100 V and must be of a high-quality C0G dielectric (sometimes also called NP0). These are typically available in a 5% tolerance, which is adequate. TI does not recommend the use of X7R types or below if WPC compliance is required because critical WPC Certification Testing, such as the minimum modulation or guaranteed power test, might fail.

The designer can combine capacitors to achieve the desired capacitance value. Various combinations can work depending on market availability. All capacitors must be of C0G types (not mixed with any other dielectric types).

9.2.2.2 Current Monitoring Requirements

The bq501210 is WPC v1.2 ready. To enable the PMOD or FOD features, provide current monitoring in the design.

For proper scaling of the current monitor signal, the current sense resistor should be $20 \text{ m}\Omega$ and the current shunt amplifier should have a gain of 50, such as the bq500100 ([SBOS765](#)). For FOD accuracy, the current sense resistor must be a quality component with 0.5% tolerance, at least 1/4-W rating, and a temperature stability of $\pm 200 \text{ PPM}$. Proper current sensing techniques in the application hardware should also be observed.

9.2.2.3 All Unused Pins

All unused pins can be left open unless otherwise indicated. Refer to the table in [Pin Configuration and Functions](#). To improve PCB layout, ground unused pins, if it is an option.

9.2.2.4 Input Regulators

The bq501210 requires $3.3 \text{ V}_{\text{DC}}$ to operate. A buck converter is used to step down from the supply voltage, such as the TPS54231D used in this design.

9.2.2.5 Input Power Requirements

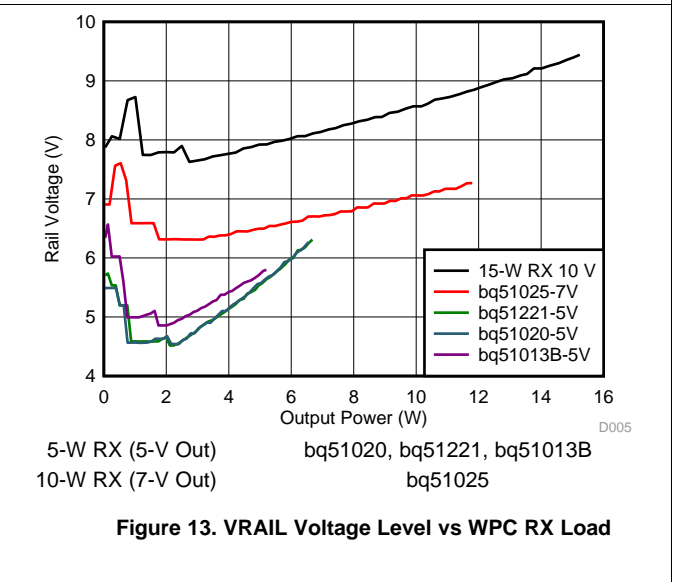
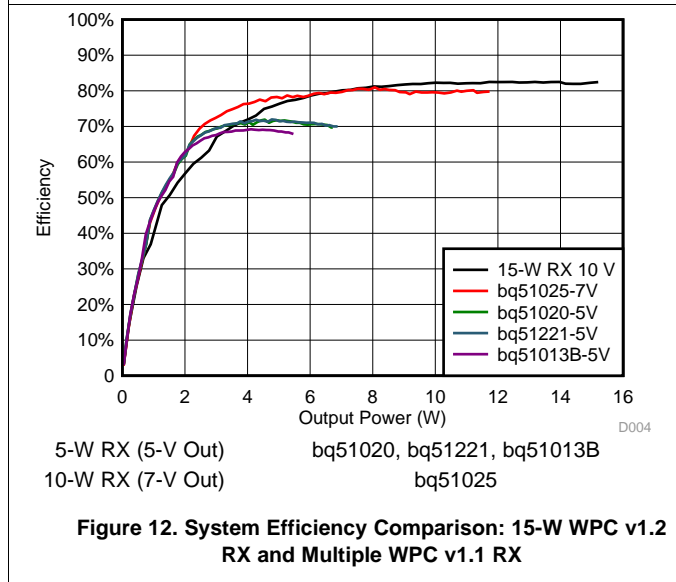
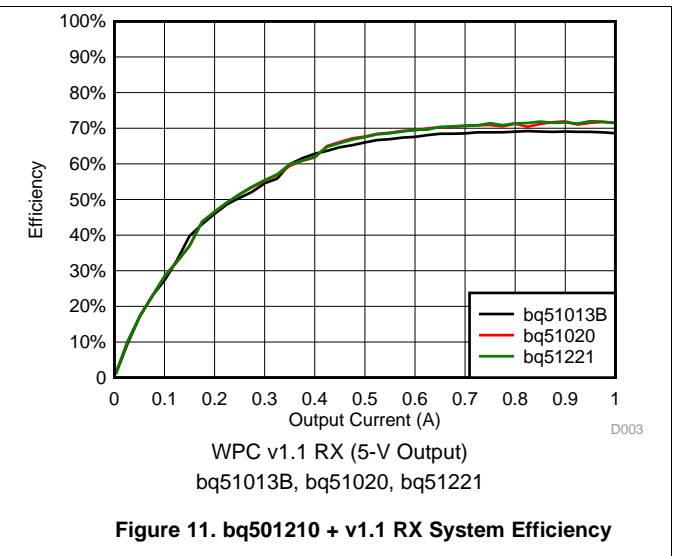
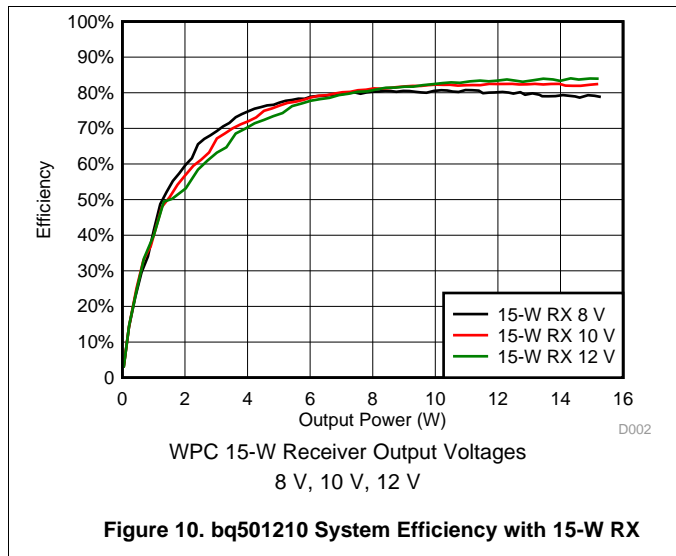
The bq501210 system works with 5-V to 19-V input voltage. Levels between 15 V and 19 V will deliver 15 W, which is required for a WPC Extended Power Profile (EPP) transmitter.

5-V input supplies are aimed to negotiate to HVDCP voltages of 9 V or 12 V which enables Fast Charging of capable receivers. The system may also deliver power as a normal 5-V transmitter, however, the power level will be reduced and providing power to higher voltage receivers may not be successful. A typical 5-V receiver has shown to produce 4.5 W consistently. Coupling and other factors will greatly influence the results of each system.

9.2.2.6 LED Mode

The bq501210 can directly drive three LED outputs (LED-A, LED-B, and LED-C). Select one of the desired LED indication schemes by choosing the selection resistor connected between LED_MODE and GND.

9.2.3 Application Curves



10 Power Supply Recommendations

This device is designed to operate from an input voltage supply range between 3- to 3.6-V, nominal 3.3-V. The design works with 12-V to 19-V input voltage. Levels between 15 V and 19 V will deliver 15 W.

11 Layout

11.1 Layout Guidelines

Careful PCB layout practice is critical to proper system operation. Many references are available on proper PCB layout techniques. A few good tips are as follows:

The TX layout requires a 4-layer PCB layout for best ground plane technique. A 2-layer PCB layout can be achieved though not as easily. Ideally, the approach to the layer stack-up is:

- Layer 1 component placement and as much ground plane as possible
- Layer 2 clean ground
- Layer 3 finish routing
- Layer 4 clean ground

Thus, the circuitry is virtually sandwiched between grounds. This minimizes EMI noise emissions and also provides a noise-free voltage reference plane for device operation.

Keep as much copper as possible. Make sure the bq501210 GND pins and the EPAD GND power pad have a continuous flood connection to the ground plane. The power pad should also be stitched to the ground plane, which also acts as a heat sink for the bq501210. A good GND reference is necessary for proper bq501210 operation, such as analog-digital conversion, clock stability, and best overall EMI performance.

Separate the analog ground plane from the power ground plane and use only **one** tie point to connect grounds. Having several tie points defeats the purpose of separating the grounds.

The COMM return signal from the resonant tank should be routed as a differential pair. This is intended to reduce stray noise induction. The frequencies of concern warrant low-noise analog signaling techniques, such as differential routing and shielding, but the COMM signal lines do not need to be impedance matched.

The DC-DC buck regulator used from the 19-V input supplies the bq501210 with 3.3-V. Typically, the designer uses a single-chip controller solution with integrated power FET and synchronous rectifier or outboard diode. Pull in the buck inductor and power loop as close as possible to create a tight loop. Likewise, the power-train, full-bridge components should be pulled together as tight as possible. See the bq501210EVM-756 for an example of a good layout technique.

11.2 Layout Example

A DC-DC buck regulator is used to step down the system voltage to the 3.3-V supply to the bq501210. The system voltage is 19-V; with such a step-down ratio, switching duty-cycle is low and the regulator is mostly freewheeling. Therefore, place the freewheeling diode current loop as close to the switching regulator as possible and use wide traces. Place the buck inductor and power loop as close to that as possible to minimize current path.

Place 3.3-V buck regulator input bypass capacitors as close as possible to the buck IC.

Layout Example (continued)

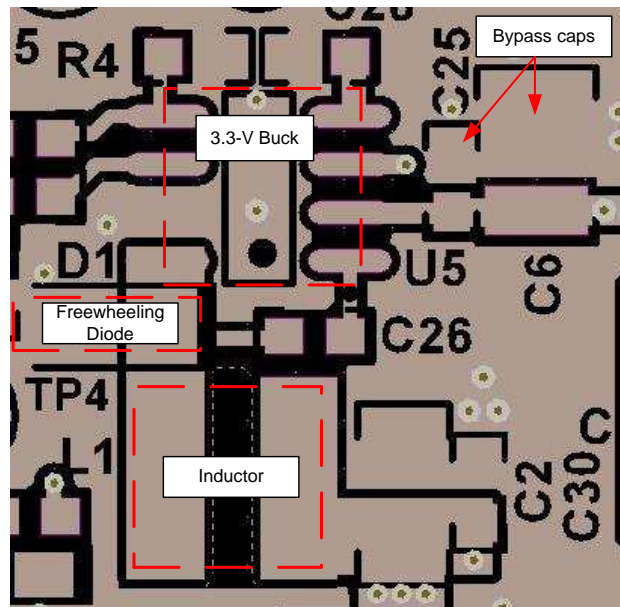


Figure 14. 3.3-V DC-DC Buck Regulator Layout

Make sure the bypass capacitors intended for the bq501210 3.3-V supply are actually bypassing these supply pins (pin 44, V33DIO, pin 45, V33D, and pin 46, V33A) to solid ground plane. This means they need to be placed as close to the device as possible and the traces must be as wide as possible.

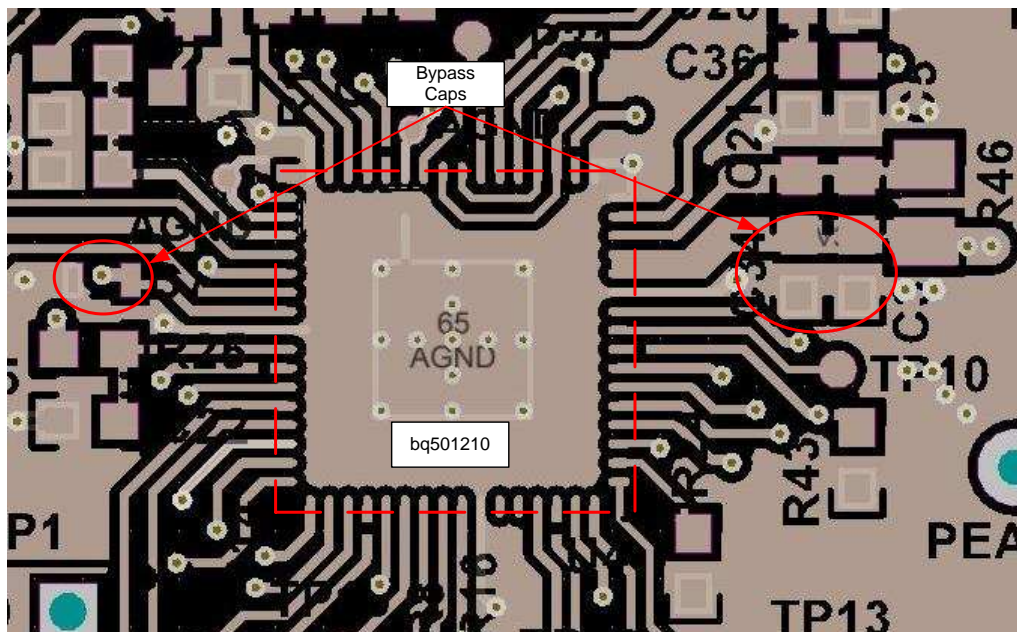


Figure 15. Bypass Capacitors Layout

Layout Example (continued)

Make sure the bq501210 has a continuous flood connection to the ground plane.

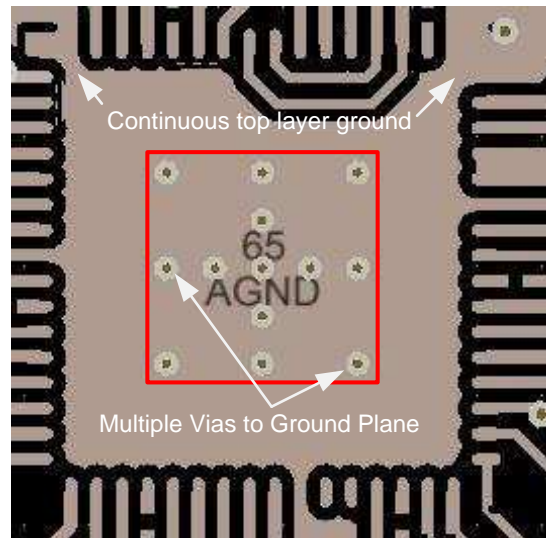


Figure 16. Continuous GND Layout

A buck regulator is used to regulate the supply voltage to the full bridge. The buck power stage IC is controlled by a PWM signal generated by the bq501210 IC, and it is directly powered from the input supply. Because the buck output voltage can operate at a wide voltage range, significant current flow is expected in both the buck power stage input and ground connections. Make sure wide traces and continuous pours are used for input and ground. Place input bypass capacitors, output capacitor and inductor as close as possible to the buck power stage to make the current loop as small as possible.

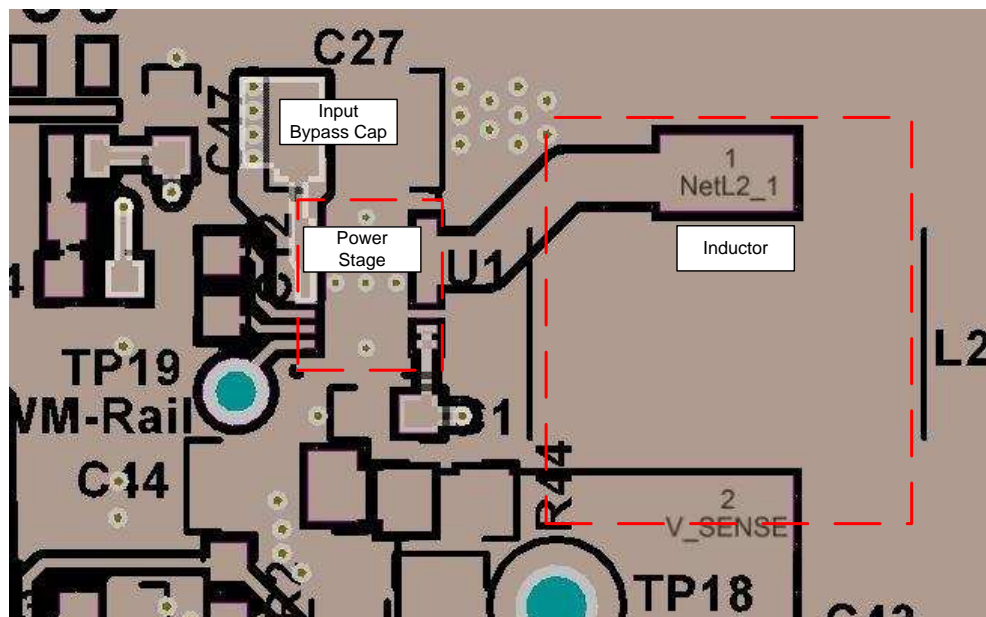


Figure 17. V_RAIL Power Stage Layout

The full-bridge power stage that drives the TX coil is composed of two half-bridge power stages and resonant capacitors. Inputs bypass capacitors should be placed as close as possible to the power stage ICs. The input and ground pours and traces should be made as wide as possible for better current flow. The trace to the coil and resonant capacitors should also be made as wide as possible.

Layout Example (continued)

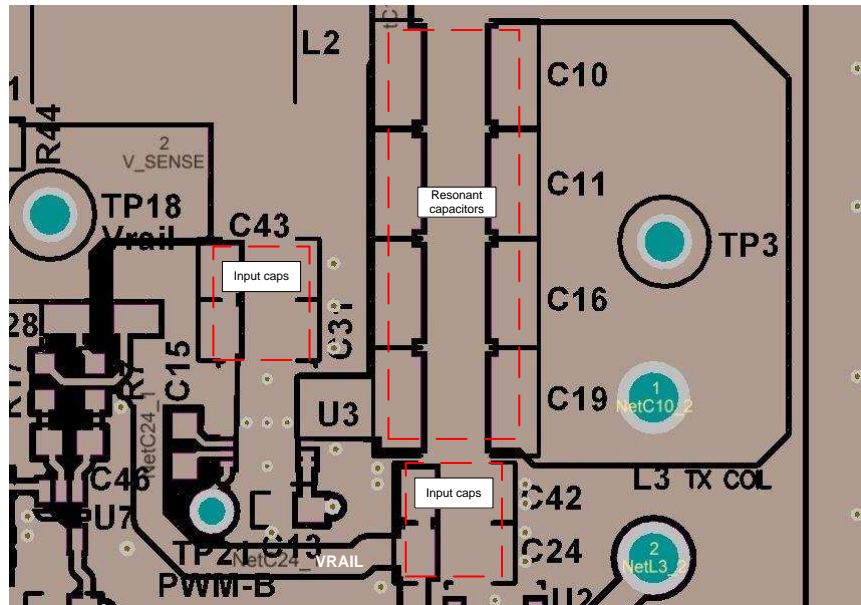


Figure 18. Ground Layout

To ensure proper operation, grounds conducting a large amount of current and switching noise must be isolated from low current, quiet grounds. Separate the ground pours for the power stages and the bq501210 IC. Connect all grounds to a single point at the main ground terminal.

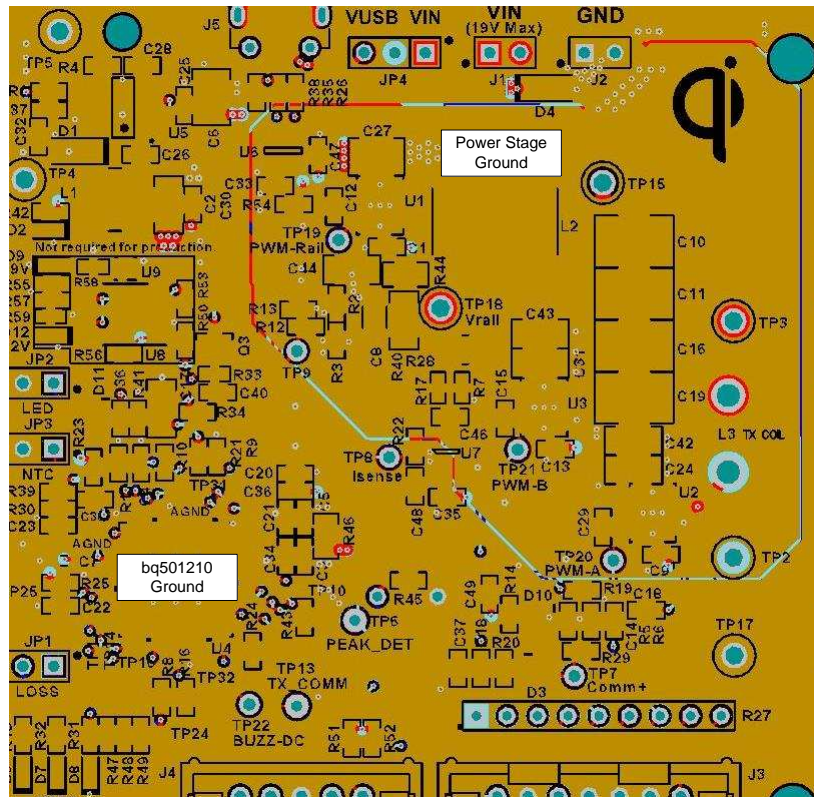


Figure 19. Ground Layout

Layout Example (continued)

Proper current sensing layout technique is very important, as it directly affects the FOD and PMOD performance. When sampling the very-low voltages generated across a current sense resistor, be sure to use the so called 4-wire or Kelvin-connection technique. This is important to avoid introducing false voltage drops from adjacent pads and copper power routes. It is a common power-supply layout technique. Some high-accuracy sense resistors have dedicated sense pins.

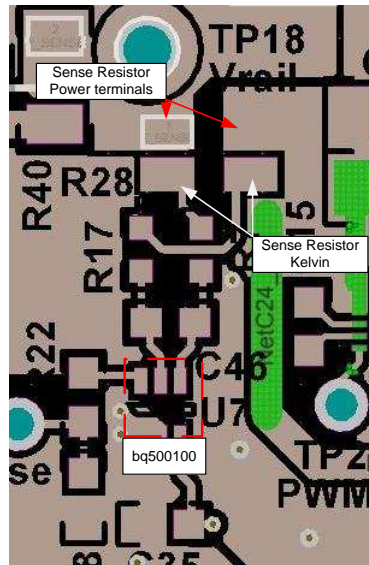


Figure 20. Current Sensing Layout

The COMM+/COMM– sense lines should be run as a balanced or differential pair. For communication, the WPC packet information runs at 2 kHz, which is essentially audio frequency content, and this balancing reduces noise pickup from the surrounding switching power electronics. The designer does not need to tune or impedance-match these lines as would be the case in RF signaling. It is important to keep these lines isolated from any fast switching signal such as PWM, to prevent noise from being injected into the line.

The V_RAIL+/VRAIL– sense lines should also run as differential pair. [Figure 21](#) shows a layout example for a differential pair layout.

Layout Example (continued)

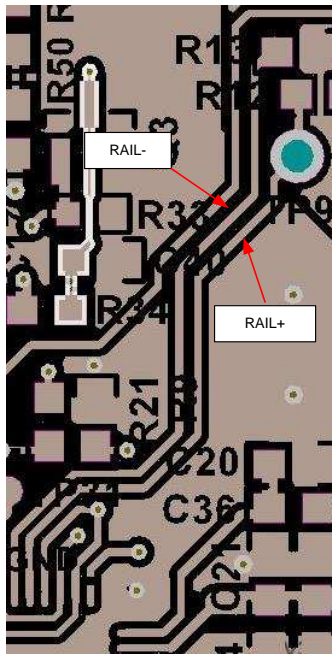


Figure 21. Balanced Differential Signal Layout

A bypass capacitor needs to be connected between the point where the 3.3-V bias supply is connected to the COMM+ resistor divider and the divider/COMM- ground connection.

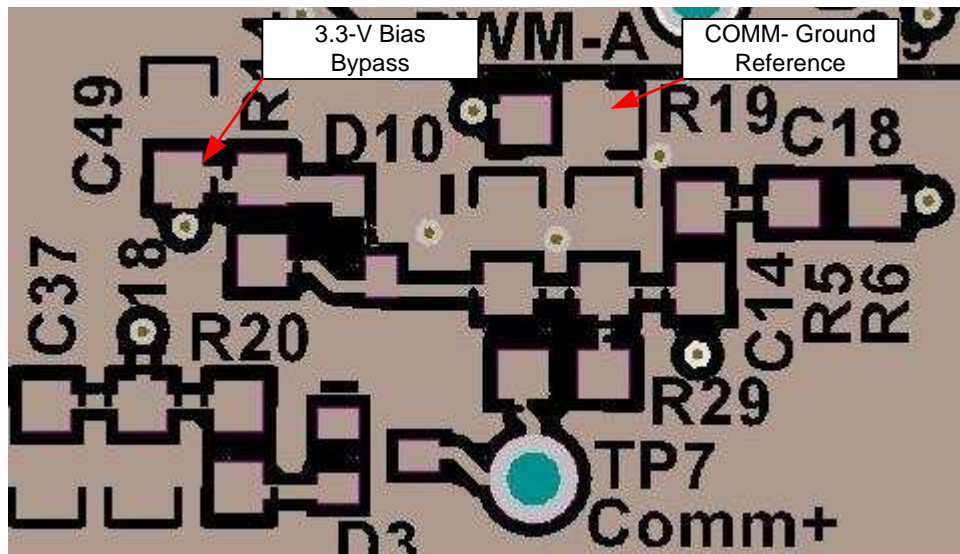


Figure 22. Bypass Capacitors Layout for COMM+ Resistor Divider 3.3-V Bias

12 器件和文档支持

12.1 器件支持

1. 技术, 无线电源联盟, www.wirelesspowerconsortium.com/
2. 数据表, 《[bq51025 兼容 WPC v1.1 并专有 10W 功率输出的单芯片无线电源接收器](#)》, [SLUSBX7](#)
3. 数据表, 《[bq500100 无线充电电流监测计](#)》, [SBOS765](#)
4. 数据表, 《[bq500101 NexFET 功率级](#)》, [SLPS585](#)
5. 数据表, 《[TLV70450 24V 输入电压、150mA、超低 \$I_Q\$ 低压降稳压器](#)》, [SBVS148](#)
6. 数据表, 《[TPS54231 具有 Eco-mode 的 2A、28V 输入、降压 DC-DC 转换器](#)》, [SLUS851](#)
7. 应用手册, 《[构建一个无线电源发射器](#)》, [SLUA635](#)
8. 应用手册, 《[bqTESLA 发送器线圈供应商](#)》, [SLUA649](#)

12.2 接收文档更新通知

要接收文档更新通知, 请访问 www.ti.com.cn 您器件对应的产品文件夹。点击右上角的提醒我 (*Alert me*) 注册后, 即可每周定期收到已更改的产品信息。有关更改的详细信息, 请查阅已修订文档的修订历史记录。

12.3 社区资源

The following links connect to TI community resources. Linked contents are provided "AS IS" by the respective contributors. They do not constitute TI specifications and do not necessarily reflect TI's views; see TI's [Terms of Use](#).

TI E2E™ Online Community *TI's Engineer-to-Engineer (E2E) Community*. Created to foster collaboration among engineers. At e2e.ti.com, you can ask questions, share knowledge, explore ideas and help solve problems with fellow engineers.

Design Support *TI's Design Support* Quickly find helpful E2E forums along with design support tools and contact information for technical support.

12.4 商标

E2E is a trademark of Texas Instruments.

12.5 静电放电警告



这些装置包含有限的内置 ESD 保护。存储或装卸时, 应将导线一起截短或将装置放置于导电泡棉中, 以防止 MOS 门极遭受静电损伤。

12.6 Glossary

[SLYZ022](#) — *TI Glossary*.

This glossary lists and explains terms, acronyms, and definitions.

13 机械、封装和可订购信息

以下页中包括机械、封装和可订购信息。这些信息是针对指定器件可提供的最新数据。这些数据会在无通知且不对本文档进行修订的情况下发生改变。欲获得该数据表的浏览器版本, 请查阅左侧的导航栏。

重要声明

德州仪器(TI)及其下属子公司有权根据 JESD46 最新标准,对所提供的产品和服务进行更正、修改、增强、改进或其它更改,并有权根据 JESD48 最新标准中止提供任何产品和服务。客户在下订单前应获取最新的相关信息,并验证这些信息是否完整且是最新的。所有产品的销售都遵循在订单确认时所提供的TI 销售条款与条件。

TI 保证其所销售的组件的性能符合产品销售时 TI 半导体产品销售条件与条款的适用规范。仅在 TI 保证的范围内,且 TI 认为有必要时才会使用测试或其它质量控制技术。除非适用法律做出了硬性规定,否则没有必要对每种组件的所有参数进行测试。

TI 对应用帮助或客户产品设计不承担任何义务。客户应对其使用 TI 组件的产品和应用自行负责。为尽量减小与客户产品和应用相关的风险,客户应提供充分的设计与操作安全措施。

TI 不对任何 TI 专利权、版权、屏蔽作品权或其它与使用了 TI 组件或服务的组合设备、机器或流程相关的 TI 知识产权中授予的直接或隐含权限作出任何保证或解释。TI 所发布的与第三方产品或服务有关的信息,不能构成从 TI 获得使用这些产品或服务的许可、授权、或认可。使用此类信息可能需要获得第三方的专利权或其它知识产权方面的许可,或是 TI 的专利权或其它知识产权方面的许可。

对于 TI 的产品手册或数据表中 TI 信息的重要部分,仅在没有对内容进行任何篡改且带有相关授权、条件、限制和声明的情况下才允许进行复制。TI 对此类篡改过的文件不承担任何责任或义务。复制第三方的信息可能需要服从额外的限制条件。

在转售 TI 组件或服务时,如果对该组件或服务参数的陈述与 TI 标明的参数相比存在差异或虚假成分,则会失去相关 TI 组件或服务的所有明示或暗示授权,且这是不正当的、欺诈性商业行为。TI 对任何此类虚假陈述均不承担任何责任或义务。

客户认可并同意,尽管任何应用相关信息或支持仍可能由 TI 提供,但他们将独立负责满足与其产品及其在应用中使用的 TI 产品相关的所有法律、法规和安全相关要求。客户声明并同意,他们具备制定与实施安全措施所需的全部专业技术和知识,可预见故障的危险后果、监测故障及其后果、降低有可能造成人身伤害的故障的发生机率并采取适当的补救措施。客户将全额赔偿因在此类安全关键应用中使用任何 TI 组件而对 TI 及其代理造成的任何损失。

在某些场合中,为了推进安全相关应用有可能对 TI 组件进行特别的促销。TI 的目标是利用此类组件帮助客户设计和创立其特有的可满足适用的功能安全性标准和要求的终端产品解决方案。尽管如此,此类组件仍然服从这些条款。

TI 组件未获得用于 FDA Class III (或类似的生命攸关医疗设备)的授权许可,除非各方授权官员已经达成了专门管控此类使用的特别协议。

只有那些 TI 特别注明属于军用等级或“增强型塑料”的 TI 组件才是设计或专门用于军事/航空应用或环境的。购买者认可并同意,对并非指定面向军事或航空航天用途的 TI 组件进行军事或航空航天方面的应用,其风险由客户单独承担,并且由客户独立负责满足与此类使用相关的所有法律和法规要求。

TI 已明确指定符合 ISO/TS16949 要求的产品,这些产品主要用于汽车。在任何情况下,因使用非指定产品而无法达到 ISO/TS16949 要求, TI 不承担任何责任。

| | 产品 | | 应用 |
|---------------|--|--------------|--|
| 数字音频 | www.ti.com.cn/audio | 通信与电信 | www.ti.com.cn/telecom |
| 放大器和线性器件 | www.ti.com.cn/amplifiers | 计算机及周边 | www.ti.com.cn/computer |
| 数据转换器 | www.ti.com.cn/dataconverters | 消费电子 | www.ti.com.cn/consumer-apps |
| DLP® 产品 | www.dlp.com | 能源 | www.ti.com.cn/energy |
| DSP - 数字信号处理器 | www.ti.com.cn/dsp | 工业应用 | www.ti.com.cn/industrial |
| 时钟和计时器 | www.ti.com.cn/clockandtimers | 医疗电子 | www.ti.com.cn/medical |
| 接口 | www.ti.com.cn/interface | 安防应用 | www.ti.com.cn/security |
| 逻辑 | www.ti.com.cn/logic | 汽车电子 | www.ti.com.cn/automotive |
| 电源管理 | www.ti.com.cn/power | 视频和影像 | www.ti.com.cn/video |
| 微控制器 (MCU) | www.ti.com.cn/microcontrollers | | |
| RFID 系统 | www.ti.com.cn/rfidsys | | |
| OMAP应用处理器 | www.ti.com/omap | | |
| 无线连通性 | www.ti.com.cn/wirelessconnectivity | 德州仪器在线技术支持社区 | www.deyisupport.com |

邮寄地址: 上海市浦东新区世纪大道1568号, 中建大厦32楼邮政编码: 200122
Copyright © 2016, 德州仪器半导体技术(上海)有限公司

PACKAGING INFORMATION

| Orderable Device | Status (1) | Package Type | Package Drawing | Pins | Package Qty | Eco Plan (2) | Lead finish/ Ball material (6) | MSL Peak Temp (3) | Op Temp (°C) | Device Marking (4/5) | Samples |
|------------------|---------------|--------------|-----------------|------|-------------|-----------------|--------------------------------------|----------------------|--------------|-------------------------|---------|
| BQ501210RGCR | NRND | VQFN | RGC | 64 | 3000 | RoHS & Green | NIPDAU | Level-3-260C-168 HR | -40 to 85 | BQ501210 | |
| BQ501210RGCT | NRND | VQFN | RGC | 64 | 250 | RoHS & Green | NIPDAU | Level-3-260C-168 HR | -40 to 85 | BQ501210 | |

(1) The marketing status values are defined as follows:

ACTIVE: Product device recommended for new designs.

LIFEBUY: TI has announced that the device will be discontinued, and a lifetime-buy period is in effect.

NRND: Not recommended for new designs. Device is in production to support existing customers, but TI does not recommend using this part in a new design.

PREVIEW: Device has been announced but is not in production. Samples may or may not be available.

OBSOLETE: TI has discontinued the production of the device.

(2) **RoHS:** TI defines "RoHS" to mean semiconductor products that are compliant with the current EU RoHS requirements for all 10 RoHS substances, including the requirement that RoHS substance do not exceed 0.1% by weight in homogeneous materials. Where designed to be soldered at high temperatures, "RoHS" products are suitable for use in specified lead-free processes. TI may reference these types of products as "Pb-Free".

RoHS Exempt: TI defines "RoHS Exempt" to mean products that contain lead but are compliant with EU RoHS pursuant to a specific EU RoHS exemption.

Green: TI defines "Green" to mean the content of Chlorine (Cl) and Bromine (Br) based flame retardants meet JS709B low halogen requirements of <=1000ppm threshold. Antimony trioxide based flame retardants must also meet the <=1000ppm threshold requirement.

(3) MSL, Peak Temp. - The Moisture Sensitivity Level rating according to the JEDEC industry standard classifications, and peak solder temperature.

(4) There may be additional marking, which relates to the logo, the lot trace code information, or the environmental category on the device.

(5) Multiple Device Markings will be inside parentheses. Only one Device Marking contained in parentheses and separated by a "~" will appear on a device. If a line is indented then it is a continuation of the previous line and the two combined represent the entire Device Marking for that device.

(6) Lead finish/Ball material - Orderable Devices may have multiple material finish options. Finish options are separated by a vertical ruled line. Lead finish/Ball material values may wrap to two lines if the finish value exceeds the maximum column width.

Important Information and Disclaimer:The information provided on this page represents TI's knowledge and belief as of the date that it is provided. TI bases its knowledge and belief on information provided by third parties, and makes no representation or warranty as to the accuracy of such information. Efforts are underway to better integrate information from third parties. TI has taken and continues to take reasonable steps to provide representative and accurate information but may not have conducted destructive testing or chemical analysis on incoming materials and chemicals. TI and TI suppliers consider certain information to be proprietary, and thus CAS numbers and other limited information may not be available for release.

In no event shall TI's liability arising out of such information exceed the total purchase price of the TI part(s) at issue in this document sold by TI to Customer on an annual basis.

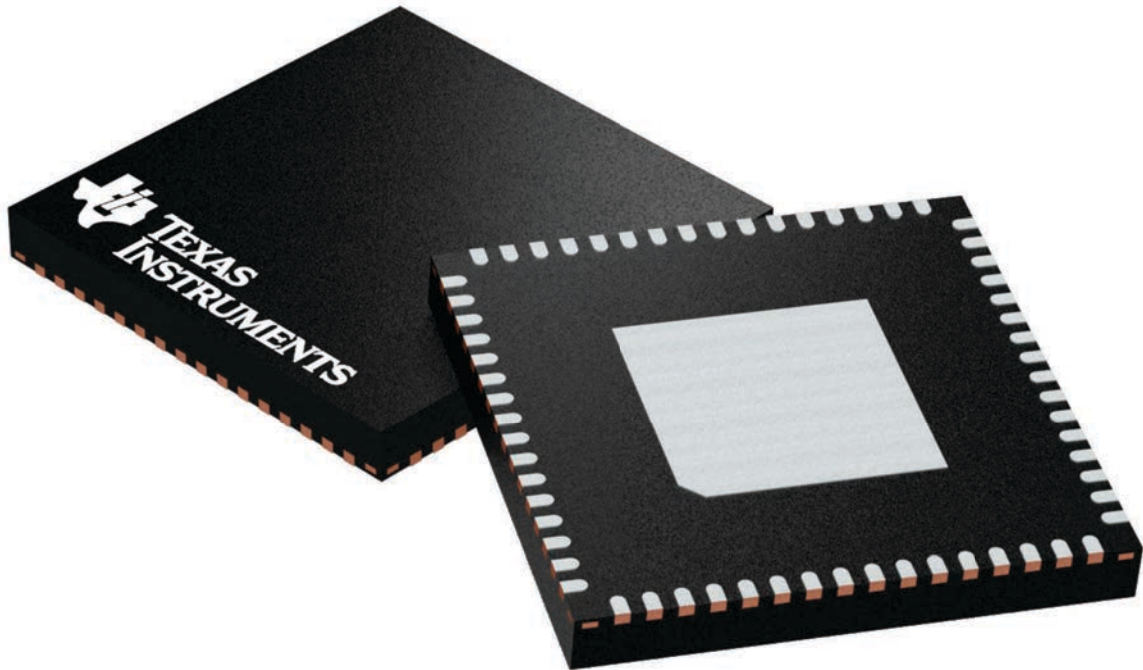
GENERIC PACKAGE VIEW

RGC 64

VQFN - 1 mm max height

9 x 9, 0.5 mm pitch

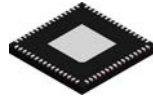
PLASTIC QUAD FLATPACK - NO LEAD



Images above are just a representation of the package family, actual package may vary.
Refer to the product data sheet for package details.

4224597/A

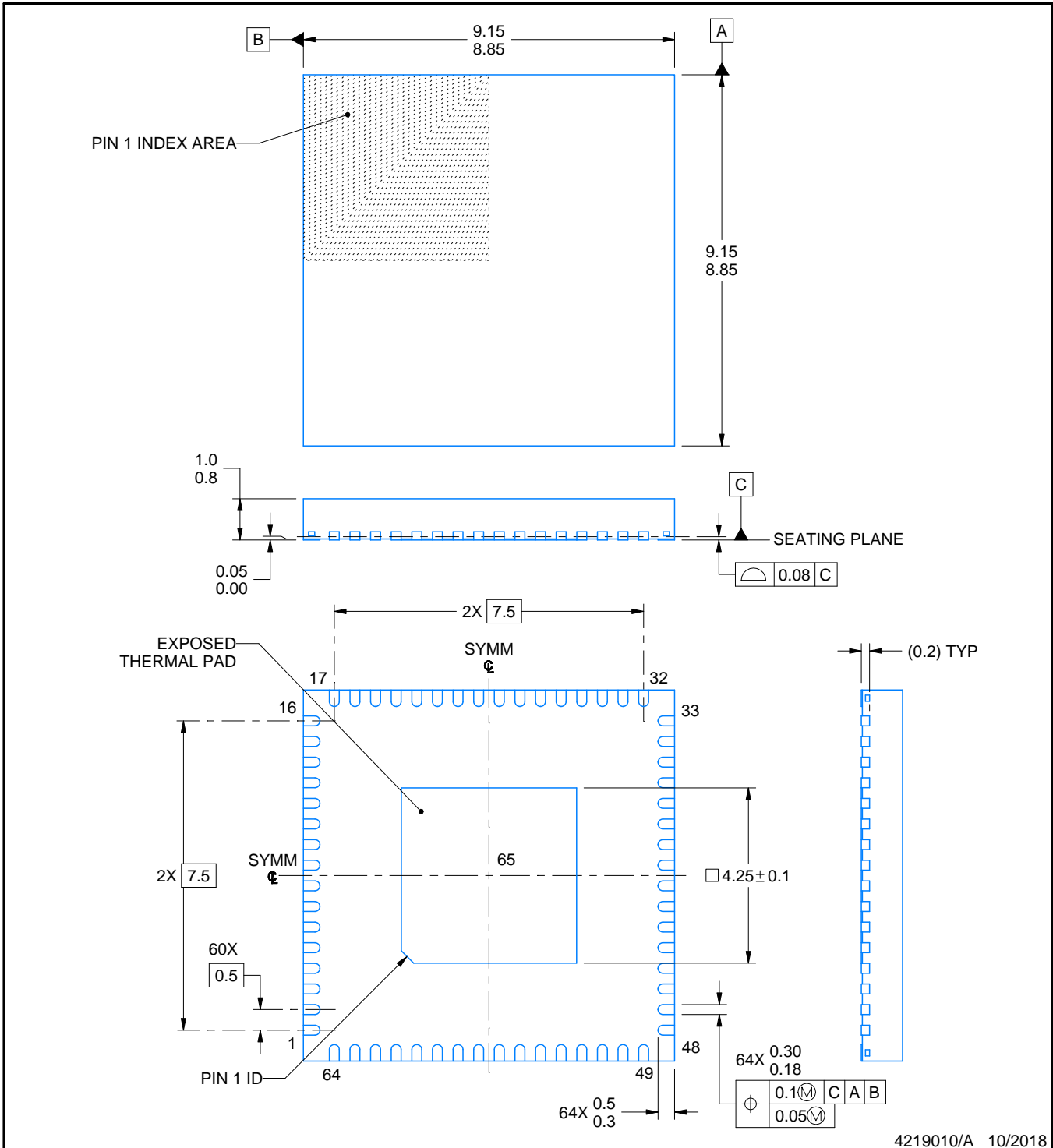
RGC0064B



PACKAGE OUTLINE

VQFN - 1 mm max height

PLASTIC QUAD FLATPACK - NO LEAD



4219010/A 10/2018

NOTES:

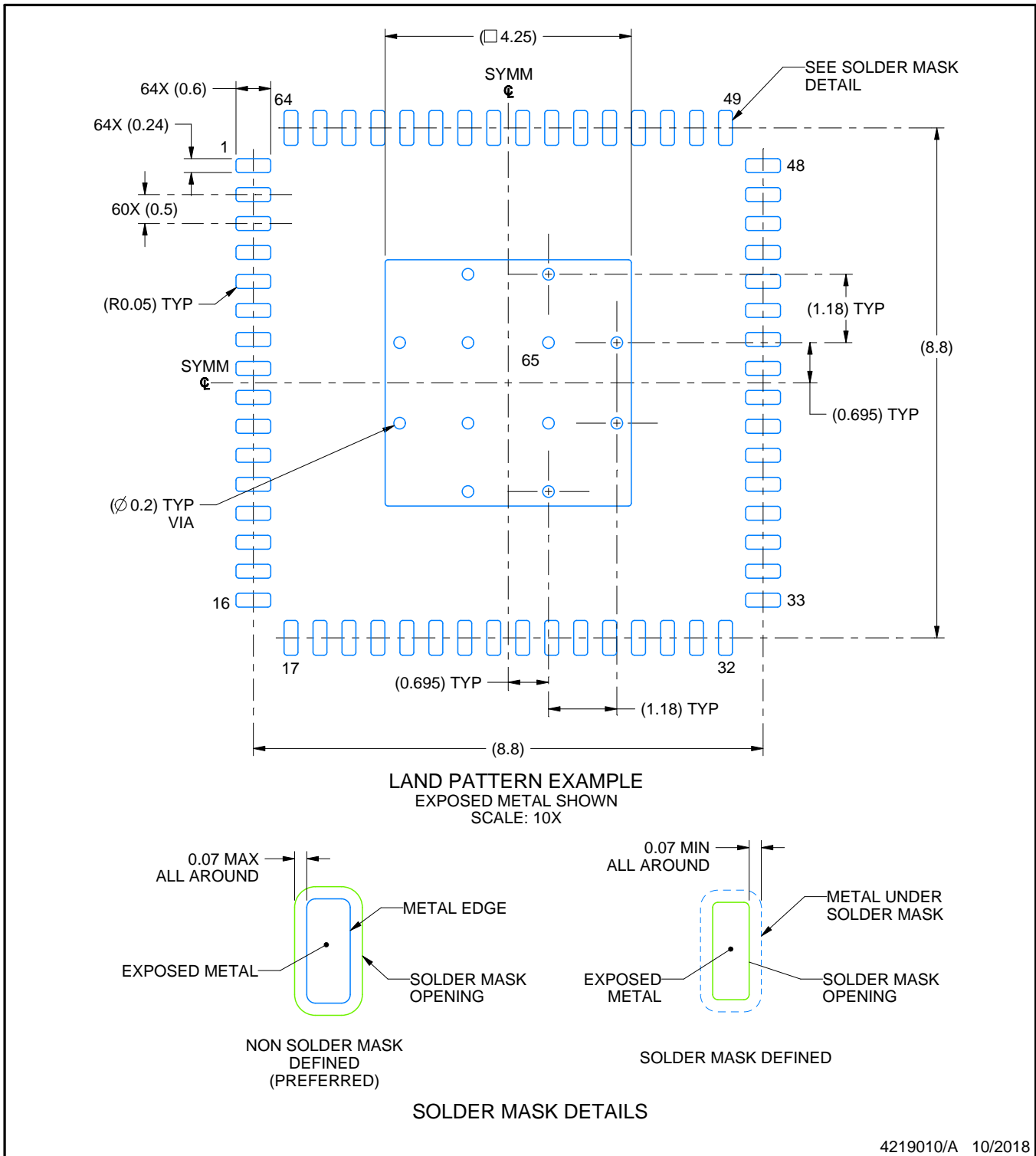
1. All linear dimensions are in millimeters. Any dimensions in parenthesis are for reference only. Dimensioning and tolerancing per ASME Y14.5M.
2. This drawing is subject to change without notice.
3. The package thermal pad must be soldered to the printed circuit board for thermal and mechanical performance.

EXAMPLE BOARD LAYOUT

RGC0064B

VQFN - 1 mm max height

PLASTIC QUAD FLATPACK - NO LEAD



4219010/A 10/2018

NOTES: (continued)

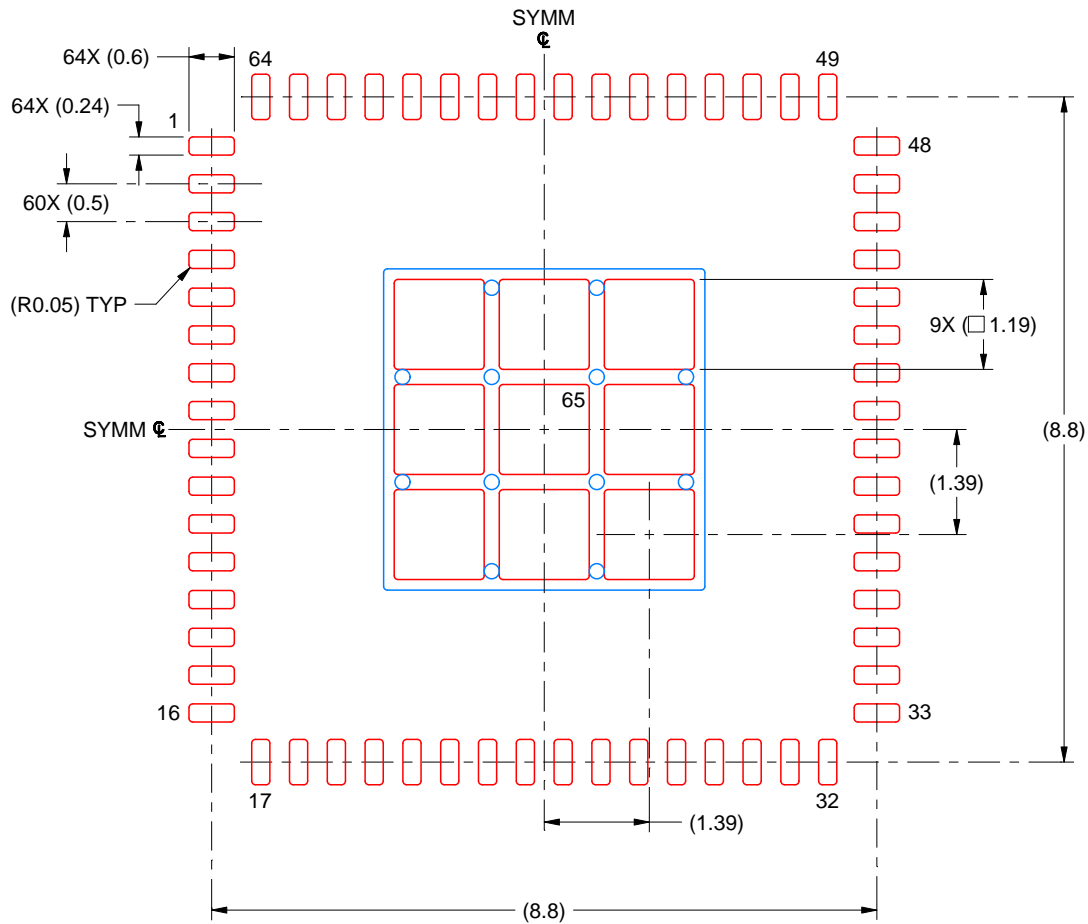
4. This package is designed to be soldered to a thermal pad on the board. For more information, see Texas Instruments literature number SLUA271 (www.ti.com/lit/slue271).
5. Vias are optional depending on application, refer to device data sheet. If any vias are implemented, refer to their locations shown on this view. It is recommended that vias under paste be filled, plugged or tented.

EXAMPLE STENCIL DESIGN

RGC0064B

VQFN - 1 mm max height

PLASTIC QUAD FLATPACK - NO LEAD



SOLDER PASTE EXAMPLE
BASED ON 0.125 MM THICK STENCIL
SCALE: 10X

EXPOSED PAD 65
71% PRINTED SOLDER COVERAGE BY AREA UNDER PACKAGE

4219010/A 10/2018

NOTES: (continued)

6. Laser cutting apertures with trapezoidal walls and rounded corners may offer better paste release. IPC-7525 may have alternate design recommendations.

重要声明和免责声明

TI 均以“原样”提供技术性及其可靠性数据（包括数据表）、设计资源（包括参考设计）、应用或其他设计建议、网络工具、安全信息和其他资源，不保证其中不含任何瑕疵，且不做任何明示或暗示的担保，包括但不限于对适销性、适合某特定用途或不侵犯任何第三方知识产权的暗示担保。

所述资源可供专业开发人员应用TI 产品进行设计使用。您将对以下行为独自承担全部责任：(1) 针对您的应用选择合适的TI 产品；(2) 设计、验证并测试您的应用；(3) 确保您的应用满足相应标准以及任何其他安全、安保或其他要求。所述资源如有变更，恕不另行通知。TI 对您使用所述资源的授权仅限于开发资源所涉及TI 产品的相关应用。除此之外不得复制或展示所述资源，也不提供其它TI 或任何第三方的知识产权授权许可。如因使用所述资源而产生任何索赔、赔偿、成本、损失及债务等，TI 对此概不负责，并且您须赔偿由此对TI 及其代表造成的损害。

TI 所提供产品均受TI 的销售条款 (<http://www.ti.com.cn/zh-cn/legal/termsofsale.html>) 以及ti.com.cn上或随附TI产品提供的其他可适用条款的约束。TI提供所述资源并不扩展或以其他方式更改TI 针对TI 产品所发布的可适用的担保范围或担保免责声明。

邮寄地址：上海市浦东新区世纪大道 1568 号中建大厦 32 楼，邮政编码：200122

Copyright © 2020 德州仪器半导体技术（上海）有限公司