

TI Designs: TIDA-01559

具有接近传感和 LED 动画效果的电容式触控用户界面参考设计



说明

TIDA-01559 是一个人机界面 (HMI) 参考设计, 它采用了 MSP430FR2522 MCU 和 LP5569 LED 驱动器, 可通过 LED 引擎控制实现极低的待机功耗并减少 MCU 的负载资源。该解决方案可应用于需要具有出色 EMI 性能和抗湿性能的低功耗 HMI 的任何应用中, 例如排油烟机、灶具面和冰箱等。

资源

[TIDA-01559](#)

设计文件夹

[LP5569](#)

产品文件夹

[MSP430FR2522](#)

产品文件夹

[TLV733P](#)

产品文件夹

特性

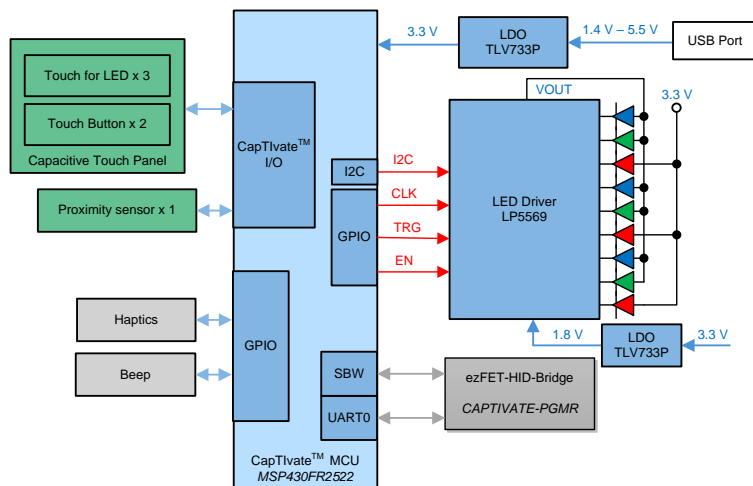
- 运行预设照明图案时具有最低的 MCU 负载
- 可通过 LP5569 引擎控制实现更低的系统电流消耗
- 待机模式期间具有超低静态电流
- 全面诊断和保护
- 出色的抗湿性

应用

- 厨房排风罩
- 厨具系列
- 冰箱和冷冻柜
- 扫地机器人
- 电梯



咨询我们的 E2E™ 专家



该 TI 参考设计末尾的重要声明表述了授权使用、知识产权问题和其他重要的免责声明和信息。

1 System Description

In an industrial system, especially in home appliance applications, end equipment makers care more and more about reliability and how to make their products more attractive. Using TI's single MSP430™ microcontroller (MCU) with CapTIvate™ and advanced LED driver technology, it is easier to make products unique and impressive. Based on this TI design you will know how the system design with TI components enable full protection and certification, which give a competitive advantage by helping you to qualify the end equipment for requirements as per the standards.

The general advantages of this design are as follows:

- Minimum MCU loading when running preset lighting pattern
- Lower system current consumption through the LP5569 engine control
- Extra low quiescent current during standby mode
- Full diagnostic and protection
- Good moisture immunity

1.1 Key System Specifications

表 1. Key System Specifications

PARAMETER	MIN	NOM	MAX	UNIT
DC input voltage	1.4	3.3	5.5	V
Standby current (MCU)			15	μA
Standby current (LED driver)			50	μA
High-accuracy current sinks	8-bit individual current control (25.5 mA maximum)			
LED engines	Independent illumination control without active microcontroller control			
Dimming control	1) PWM, 2) Engines, 3) Register			
Audible noise	12-bit 20-kHz internal individual PWM control			
Protection	Input UVLO, TSD (OTP)			

2 System Overview

2.1 Block Diagram

图 1 illustrates the TIDA-01559 block diagram.

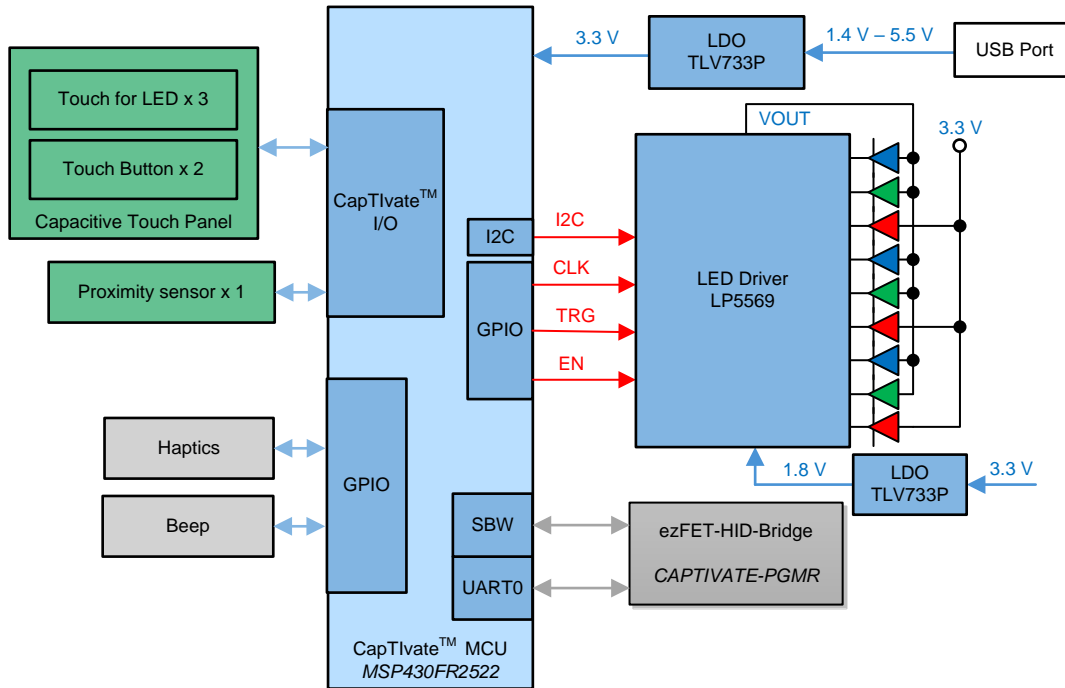


图 1. TIDA-01559 Block Diagram

2.2 Highlighted Products

The following subsections detail the highlighted products used in this reference design, including the key features for their selection. See their respective product data sheets for complete details on any highlighted device. Link to a ti.com document

2.2.1 MSP430FR2522

The MSP430FR25x2 is a family of ultra-low-power MSP430™ micro controllers (MCUs) for capacitive touch sensing that feature CapTivate touch technology for cost-sensitive applications featuring 1 to 16 capacitive buttons or proximity sensing. The MSP430FR25x2 MCUs offer value and performance for industrial applications exposed to electromagnetic disturbances, oil, water, and grease. The devices offer IEC-certified solutions with 5x lower power consumption than the competition and support proximity sensing as well as touch through glass, plastic, and metal overlays. TI capacitive touch sensing MSP430 MCUs are supported by an extensive hardware and software ecosystem with reference designs and code examples to get your design started quickly. The BOOSTXLCAPKEYPAD BoosterPack™ plug-in module can be used with the CAPTIVATE-PGMR programmer board (standalone or as part of the MSP-CAPT-FR2633 CapTivate development kit) or with the LaunchPad™ development kit ecosystem. TI also

provides free software including the [CapTivate Design Center](#), where engineers can quickly develop applications with an easy-to-use GUI and MSP430Ware™ software, and comprehensive documentation with the [CapTivate™ Technology Guide](#). MSP430 MCUs with CapTivate technology provide the most integrated and autonomous capacitive-touch solutions in the market with high reliability and noise immunity at the lowest power. For more information visit www.ti.com/captivate.

图 2 shows the MSP430FR2522 functional block diagram.

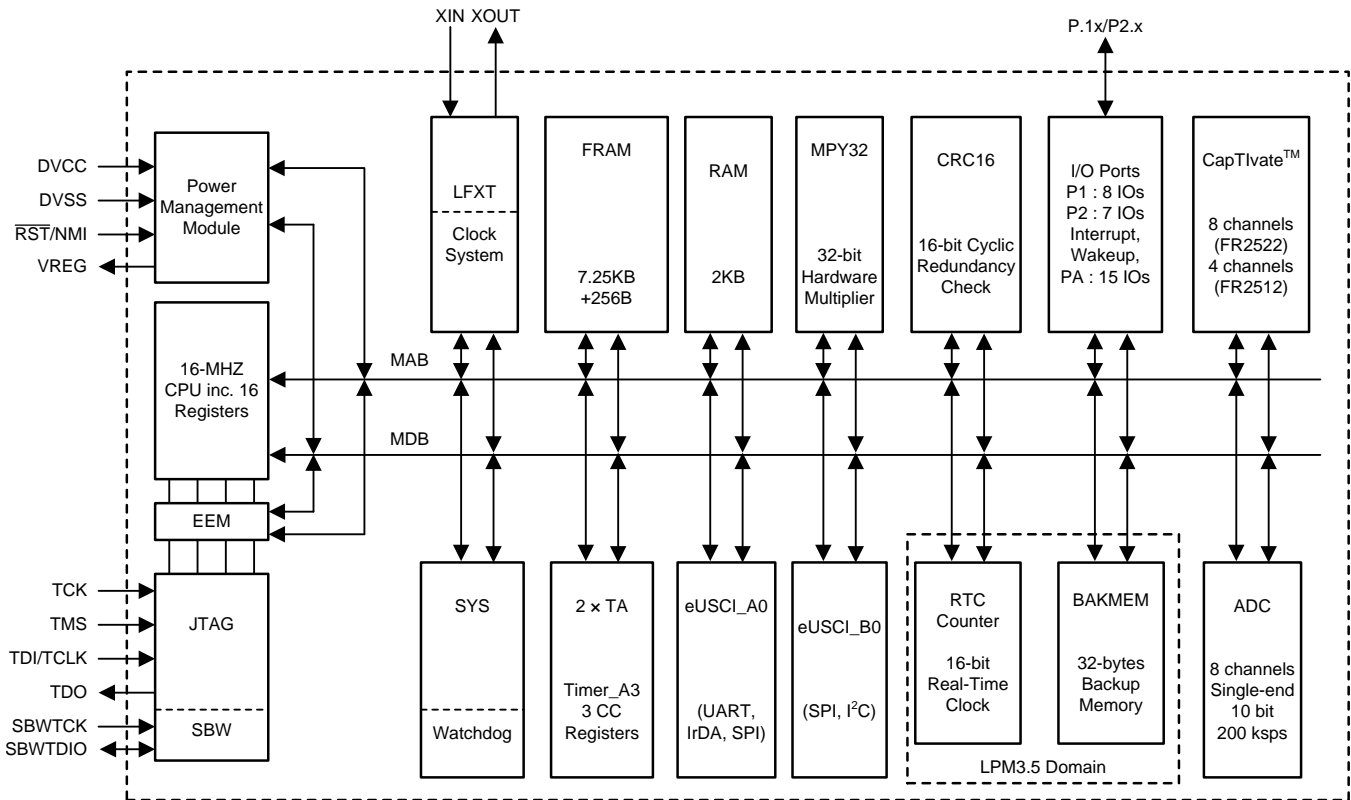


图 2. MSP430FR2522 Functional Block Diagram

2.2.2 LP5569

The LP5569 device is a programmable, easy-to-use 9-channel I²C LED driver designed to produce lighting effects for various applications. The LED driver is equipped with an internal SRAM memory for user programmed sequences and three programmable LED engines, which allow operation without processor control. Autonomous operation reduces system power consumption when the processor is put in sleep mode.

A high-efficiency charge pump enables the driving of LEDs with high V_F, even with 2.5-V input voltage. The LP5569 LED driver maintains good efficiency over a wide operational voltage range by autonomously selecting the best charge-pump gain based on LED forward voltage requirements.

The LP5569 device enters power-save mode when LEDs are not active, lowering idle-current consumption considerably. A flexible digital interface allows the connection of up to eight LP5569 devices with a unique I²C slave address for each device in the same system, which supports synchronization of the lighting effects among all devices.

2.2.3 TLV733P

The TLV733 series of low-dropout linear regulators (LDOs) are ultra-small, low quiescent current LDOs that can source 300 mA with good line and load transient performance. These devices provide a typical accuracy of 1%.

The TLV733 series is designed with a modern capacitor-free architecture to ensure stability without an input or output capacitor. The removal of the output capacitor allows for a very small solution size, and can eliminate inrush current at startup. However, the TLV733 series is also stable with ceramic output capacitors if an output capacitor is necessary. The TLV733 also provides foldback current control during device power-up and enabling if an output capacitor is used. This functionality is especially important in battery-operated devices.

The TLV733 provides an active pull-down circuit to quickly discharge output loads when disabled.

The TLV733 series is available in standard DBV (SOT-23) and DQN (X2SON) packages.

2.3 System Design Theory

The LP5569 device is a fully-integrated lighting management unit for producing lighting effects for various LED applications. The LP5569 device includes all necessary power management, low-side current sinks, two-wire serial I²C-compatible interface, and programmable LED engines. The overall maximum current for each of the nine drivers is set with 8-bit resolution. The LP5569 device controls LED luminance with a pulse-width modulation (PWM) scheme with a resolution of 12 bits at 20 kHz, which is achieved by using 3-bit dithering.

2.3.1 LED Driver Session

2.3.1.1 Programming

The LP5569 device provides flexibility and programmability for dimming and sequencing control. Each LED can be controlled directly and independently through the serial interface, or LED drivers can be grouped together for preprogrammed flashing patterns. The device has three independent program execution engines. Each engine can control 1 to 9 LED driver outputs, but more than one engine cannot simultaneously control the same LED driver output. Any engine can be used as the master fader for all three engines.

2.3.1.2 Energy Efficiency

An integrated 1x or 1.5x charge pump with adaptive control provides the supply voltage for LEDs when operating with low input voltage. Because the LED drivers are low-side sinks, some or all LEDs can be powered from an external source, if available. The LP5569 device has very low standby current and an automatic power-save mode when the LEDs are inactive.

2.3.1.3 Protection

Protection features include power-on reset, charge-pump input-current limiter, thermal shutdown (TSD), and undervoltage lockout (UVLO).

2.3.1.3.1 Thermal Shutdown (TSD)

The LP5569 device implements a thermal shutdown mechanism to protect the device from damage due to overheating. When the junction temperature rises to 150°C (typical), the device switches into shutdown mode. The LP5569 device releases thermal shutdown when the junction temperature of the device decreases to 130°C (typical).

Thermal shutdown is most often triggered by self-heating, which occurs when there is excessive power dissipation in the device, or insufficient thermal dissipation, or both. The LP5569 power dissipation increases with increased output current and input voltage. When self-heating brings on thermal shutdown, thermal cycling is the typical result. Thermal cycling is the repeating process where the part self-heats, enters thermal shutdown (where internal power dissipation is practically zero), cools, turns on, and then heats up again to the thermal shutdown threshold. Thermal cycling is recognized by a pulsing output voltage and can be stopped by reducing the internal power dissipation (reduce input voltage, or output current, or both) or the ambient temperature. If thermal cycling occurs under the desired operating conditions, thermal dissipation performance must be improved to accommodate the power dissipation of the LP5569 device. The QFN package is designed to have excellent thermal properties that, when soldered to a PCB designed to aid thermal dissipation, allows the LP5569 device to operate under very demanding power-dissipation conditions.

2.3.1.3.2 Undervoltage Lockout (UVLO)

The LP5569 device has an internal comparator that monitors the voltage at VIN. If the input voltage drops to 2.2 V (nominal), undervoltage is detected, the LED outputs and the charge pump shut down, and the corresponding fault bit is set in the fault register. Hysteresis is implemented for the threshold level to avoid continuous triggering of a fault when the threshold is reached. If the input voltage rises above 2.3 V (nominal), the LP5569 device resumes normal operation.

2.3.1.3.3 Power-On Reset (POR)

The LP5569 device has internal comparators that monitor the voltages at VIN and V1P8. When VIN is below 2.2 V or V1P8 is below 1.3 V, reset is active and the LP5569 device is in the DISABLED state.

2.3.1.3.4 LED Fault Detection

The LP5569 device contains both open-LED and shorted-LED fault detection. These fault detections are designed to be used in production-level testing and not normal operation. For the fault flags to operate, they must be enabled via the MISC2 register (address 33h) LED_OPEN_TEST, and LED_SHORT_TEST bits. The fault flags are shared by both open-LED and shorted-LED tests so only one can be enabled at a time. The default LED-fault status is ready in the LED_FAULT1 and LED_FAULT2 registers (addresses 81h and 82h). The following sections detail the proper procedure for reading back open and short faults in the LED strings.

2.3.2 CapTivate™ Touch Session

Capacitive touch sensing MSP430 MCUs are supported by an extensive hardware and software ecosystem with reference designs and code examples to get a design started quickly. Development kits include the MSP-CAPT-FR2633 CapTivate technology development kit. TI also provides free software including the [CapTivate Design Center](#), where engineers can quickly develop applications with an easy-to-use GUI and MSP430Ware™ software, and comprehensive documentation with the [CapTivate™ Technology Guide](#). The TI MSP family of low-power microcontrollers consists of several devices that

feature different sets of peripherals targeted for various applications. The architecture, combined with extensive low-power modes, is optimized to achieve extended battery life in portable measurement applications. The MCU features a powerful 16-bit RISC CPU, 16-bit registers, and constant generators that contribute to maximum code efficiency. The digitally-controlled oscillator (DCO) allows the MCU to wake up from low-power modes to active mode typically in less than 10 μ s.

图 2 shows the functional block diagram.

- The MCU has one main power pair of DVCC and DVSS that supplies digital and analog modules. Recommended bypass and decoupling capacitors are 4.7 μ F to 10 μ F and 0.1 μ F, respectively, with \pm 5% accuracy.
- VREG is the decoupling capacitor of the CapTIvate regulator. The recommended value for the required decoupling capacitor is 1 μ F, with a maximum ESR of \leq 200 m Ω .
- P1 and P2 feature the pin interrupt function and can wake the MCU from all LPMs, including LPM3.5 and LPM4.
- Each Timer_A3 has three capture, compare registers. Only CCR1 and CCR2 are externally connected. The CCR0 registers can be used only for internal period timing and interrupt generation.
- In LPM3 or LPM4 mode, the CapTIvate module can be functional while the rest of the peripherals are off.

The CapTIvate module detects the capacitance changed with a charge-transfer method and is functional in AM, LPM0, LPM3, and LPM4. The CapTIvate module can periodically wake the CPU from LPM0, LPM3, or LPM4 based on a CapTIvate timer source such as ACLK or VLO clock. The CapTIvate module can also work on wake-on-touch state machine mode for better power saving without periodically waking up the CPU. The CapTIvate module supports the following touch-sensing capability:

- Up to 16 CapTIvate buttons composed of 2 CapTIvate blocks. Each block consists of 4 I/Os, and these blocks scan in parallel of 2 electrodes.
- Each block can be individually configured in self or mutual mode. Each CapTIvate I/O can be used for either self or mutual electrodes.
- Supports a wake-on-touch state machine.
- Supports synchronized conversion on a zero-crossing event trigger.
- Processing logic to perform filter calculation and threshold detection.

3 Hardware, Software, Testing Requirements, and Test Results

3.1 Required Hardware and Software

3.1.1 Hardware Overview

图 3 shows the system overview of the TIDA-01559 design.



图 3. TIDA-01559 System Overview

3.1.2 Work Mode Introduction

The TIDA-01559 has three work modes:

- **Proximity mode:** Under this mode, when the hand or anything comes closer than 100 mm, the board uses the breathing effect, and when the hand is removed, the breathing effect disappears.
- **Autonomous Pattern Mode (HMI mode):** Under this mode, the TIDA-01559 works on a different autonomous pattern, breathing (mono-color and mixing-color), chasing (mono-color and mixing-color), two colors chasing in another color base and so on. The *Select* button changes the pattern.
- **Wheel mode (Control mode):** Under this mode, control the LED using clockwise or anticlockwise rotation (put your finger along the dotted line, not on the LED), use the *Select* button to change the color. When demonstrating the “Wheel mode”, do not put anything under the board, because it will influence the sensor.

3.1.3 Firmware

3.1.3.1 Application Firmware Description

The firmware of this reference design runs on the MSP430FR2522IPW16R device, in which a capacitor sensor touch frond-end is implemented. The firmware also configures the LP5569 device over I²C to drive the LED pattern. 表 2 lists the system components for the firmware of this reference design.

表 2. TIDA-01559 Firmware System Components

ITEMS	DESCRIPTION
Integrated development environment (IDE)	Code Composer Studio™ v8.0
Target MCU	MSP430FR2522IPW16R
Development kit	MSP CapTivate LaunchPad, MSP430 programmer
MCU to LP5569 connector	P2.1 - EN_PWM
	P1.2 - SDA
	P1.3 - SCL
MCU to LaunchPad connector	TEST – DEBUG
	RESET- DEBUG
	TXD – Tuning for captivate
	RXD – Tuning for captivate

3.1.3.2 Firmware Structure

The TIDA-01559 reference design firmware is based on the TI *CapTivate Software Library*. The *CapTivate Software Library* is a collection of target software components designed to help shorten the development process when working with CapTivate MCUs. The library is provided and supported by Texas Instruments and is delivered with the [CapTivate Design Center](#). The TIDA-01559 adds the touch key user functions and LED driver functions.

图 4 shows the TIDA-01559 firmware structure.

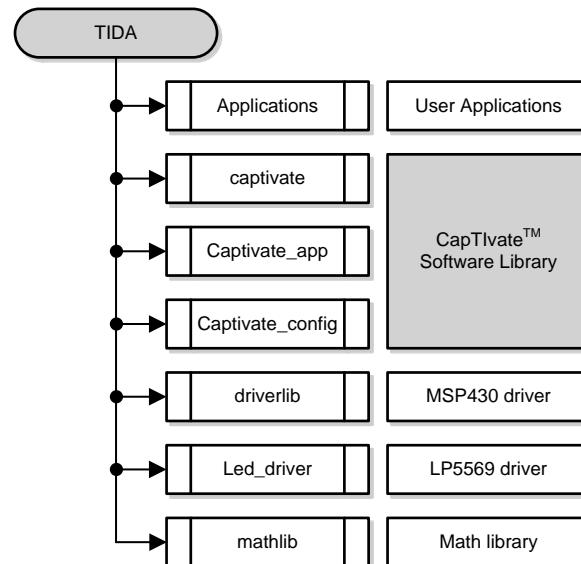


图 4. TIDA-01559 Firmware Structure

In the user application, three different user modes are defined:

1. **Demo mode:** Shows the different LED patterns including breathing, ring chasing, door open, color chasing, and so forth.
2. **Proxy mode:** The proxy sensor wakes up the LED when it detects a human approaching. After awakening, the LED continues breathing until there is no human detection.
3. **Wheel mode:** The user touches the wheel sensor, then the LED turns on following the touch.

3.1.3.3 User Application Flowcharts

Button Event: This event is generated by the CapTIvate software (see 图 5). The event handle is to change the running mode by touching a different button.

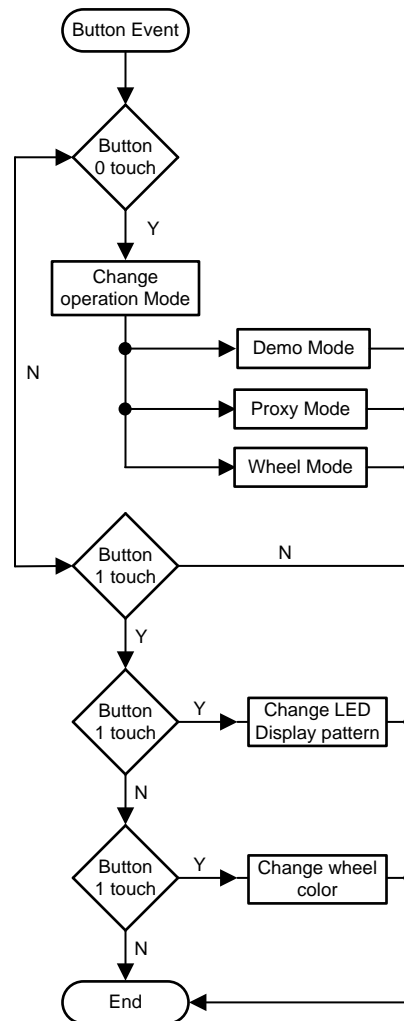


图 5. Button Event Flowchart

Proxy Event: This event is generated by the CapTIvate software library (see 图 6). When the sensor is on, the LED begins breathing. When sensor detection is off, the LED is closed after 150 ms.

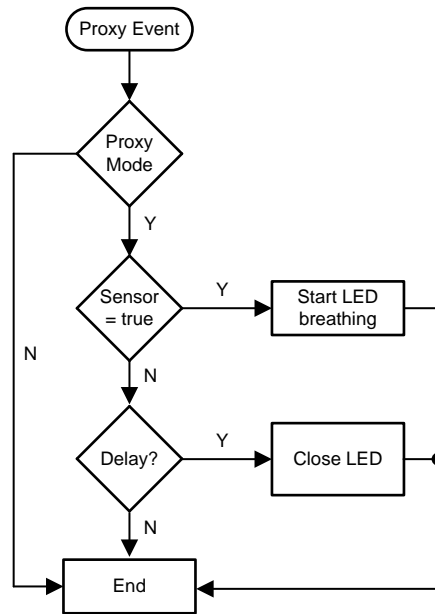


图 6. Proxy Event Flowchart

Wheel Event: This event is generated by the CapTIvate software (see 图 7). When the user touches the wheel sensor, the handler reads the wheel position from the CapTIvate software and turns on the corresponding LED.

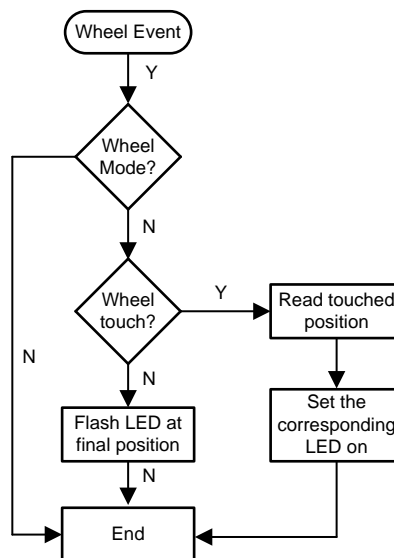


图 7. Wheel Event Flowchart

3.1.3.3.1 Service Functions for the LP5569 Device

图 8 shows the close LED flowchart. This flow shows the *Stop all engines* function in the LP5569 device and turns off the LEDs.

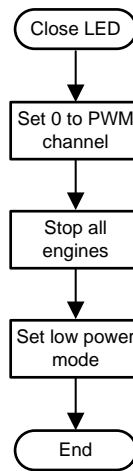


图 8. Close LED Flowchart

图 9 shows the load SRAM flowchart and where the LED engines are changed.

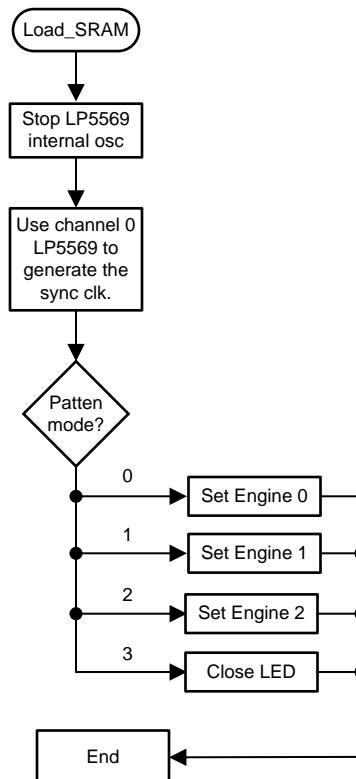


图 9. Load SRAM Flowchart

图 10 illustrates the overall state machine.

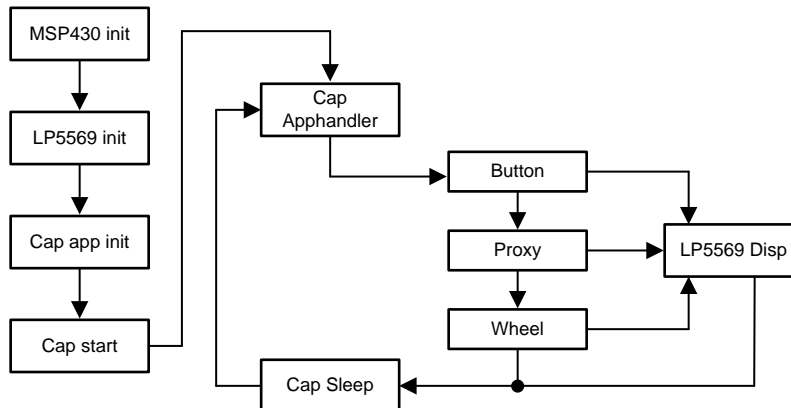


图 10. TIDA-01559 Overall State Machine

3.1.3.4 How to Integrate the TI CapTlvate™ IP Into a Design

The *CapTlvate Software Library* is a collection of target software components designed to help shorten the development process when working with CapTlvate MCUs. The library is provided and supported by Texas Instruments and is delivered with the CapTlvate Design Center.

The library provides the following features:

- Hardware abstraction of the CapTlvate peripheral features
- Processing of button, slider, wheel, and proximity sensors with simple callback reporting when measurement and processing are complete
- User interface management to enable a simple top level API that is easy to use
- Electromagnetic compatibility features for improving noise immunity
- Communications infrastructure for connecting a CapTlvate MCU to the *CapTlvate Design Center* during tuning or to a host processor in an application

These features provide the following main benefits:

- Simplification of sensor configuration, measurement, processing, and data communication
- Faster application development cycles
- Seamless integration with the *CapTlvate Design Center* development GUI
- Reduced code footprint on devices with CapTlvate software in ROM

The library was designed and organized for capacitive user interface applications. However, it may also be used for other applications that require the ability to measure relative changes in capacitance.

3.1.3.4.1 How-To in the CapTlvate Software Library

The how-to section of the CapTlvate Software Library chapter contains basic code snippets that demonstrate how to perform simple tasks, such as measuring a sensor, checking the status of a sensor, or accessing raw data.

3.1.3.4.1.1 Use the Top-Level API

The top level API of the CapTlvate Software Library provides a simple, highly-abstract programming interface to the library. To get an application up and running, it is only necessary to have knowledge of three basic functions: CAPT_initUI(), CAPT_calibrateUI(), and CAPT_updateUI().

3.1.3.4.1.2 Scope

As introduced in the programming model section, the top-level API functions operate solely on the top level application object, or tCaptivateApplication. This object contains all of the information that is needed to run the user interface. It contains the links to all of the sensors that are in the UI. It is important to understand that when a top-level API function is used, all of the sensors that are associated with the application are affected. For example, calling CAPT_calibrateUI() causes each sensor in the UI to be calibrated.

3.1.3.4.1.3 Open Source

The top-level API functions are delivered as open source functions in the library, so that the software designer can understand how the functions work. The functions exist in the CAPT_Manager.c and CAPT_Manager.h files, which are a part of the ADVANCED module of the library.

3.1.3.4.1.4 Setting up an Application

When setting up an application, it is important to note that there are two types of functions in the top-level API:

1. Initialization functions (run one time at start-up)
2. Periodic functions (called periodically to do something while the application is running)

The initialization functions are CAPT_initUI() and CAPT_calibrateUI(). CAPT_updateUI() is a periodic function. The initialization functions must be called at the beginning of the application.

For additional details, see [Getting Started With MSP MCUs With CapTlvate™ Technology](#).

3.1.3.5 How to Define the LP5569 Pattern

The LP5569 device is a programmable, easy-to-use 9-channel I2C LED driver designed to produce lighting effects for various applications. The LED driver is equipped with an internal SRAM memory for user-programmed sequences and three programmable LED engines, which allow operation without processor control. Autonomous operation reduces system power consumption when the processor is put in sleep mode.

As an example for a breathing pattern, all LEDs fade in and out as the same color at the same rate, therefore all devices should run the same engine code (see [图 11](#)).

```

.segment          program1      ;Program for engine 1.
loop1_0:
  map_start      row1          ;Map the first LED.
  load_end       row7          ;End address of the mapping data table.
loop1:
  ramp           2, 200        ;Increase PWM 0->78% in 2 second.
  ramp           2, -255       ;Decrease PWM ->0% in 2 seconds.
  wait          0.4           ;Wait for 0.4 seconds.
  ramp           2, 200        ;Increase PWM 0->78% in 2 second.
  ramp           2, -255       ;Decrease PWM ->0% in 2 seconds.
  wait          0.4           ;Wait for 0.4 seconds.
  map_next      ;Set the next row active in the mapping table.
  branch        6,loop1       ;Loop 6 time
  map_addr      row8
  ramp          1.5, 200       ;Increase PWM 0->78% in 1.5 second.
  wait          0.4           ;Wait for 0.4 seconds.
  wait          0.4           ;Wait for 0.4 seconds.
  map_addr      row9
  ramp          3, 200         ;Increase PWM 0->78% in 3 second.
  ramp          3, -255        ;Decrease PWM ->0% in 3 seconds.
  ramp          3, 200         ;Increase PWM 0->78% in 3 second.
  ramp          3, -255        ;Decrease PWM ->0% in 3 seconds.
  map_addr      row8
  ramp          1.5, -255      ;Decrease PWM ->0% in 1.5 seconds.

```

图 11. Breathing Pattern Code

For more information, see [LP5569 Lighting Pattern Design](#)

3.2 Testing and Results

3.2.1 How to Run This Demonstration

- I. For a TIDA-01559 demonstration, only one TIDA-01559 board and one USB cable is needed. Before demonstrating, power the board using a USB port.
- II. When powered by USB port, the board will work on HMI mode default, the pattern can be changed by pressing the *Select* button, and there are three different patterns preset.
- III. Press the *Mode* button once, the work mode changes to Wheel mode, you can use your finger to control the LED along with the dot line. Press the *Select* button to change the color.
- IV. Press the *Mode* button again, the work mode changes to Proximity mode. In this mode, when your hand or anything comes within 100 mm of the board, the LED works in breathing effect, remove your hand and the breathing effect stops.
- V. Press the *Mode* button, and the work mode goes back to HMI mode.

3.2.2 Test Results

The test includes the standby power, MCU work loading.

3.2.2.1 MCU Work Loading With LP5569

One key feature of the LP5569 device is LED engine control. An LED driver without engine control requires the MCU to be active for each register data transfer. With the engine control, pre-set patterns are stored in program memory, so the LED driver can run a blinking or color pattern autonomously, allowing the MCU to sleep, thus saving the standby power and off-loads from the MCU.

The LP5569 device has four LED engine variables which are divided into local and global variables. Variables A and B are engine-specific local variables and each of the three engines has separate A and B variables, so there is a total of six A and B variables. Variable A can be read and written via I²C registers 42h–44h. Local variable B is not available via I²C and can only be accessed by the LED engine. Variables C and D are global variables which are shared by all three LED engines. Global variable C is not available via I²C and can only be accessed by the LED engines. The D variable can be read and written via I²C register 3Eh. Variables are referenced to instructions with 2 bits.

图 12 is the MCU work loading without LP5569. This picture shows that without the LED engine, the MCU work loading is near to 20%. It will be decided by complex pattern, but if the LP5569 with LED engine control is used, the MCU work loading is near to 0% after uploading the code to Engine control from the MCU.

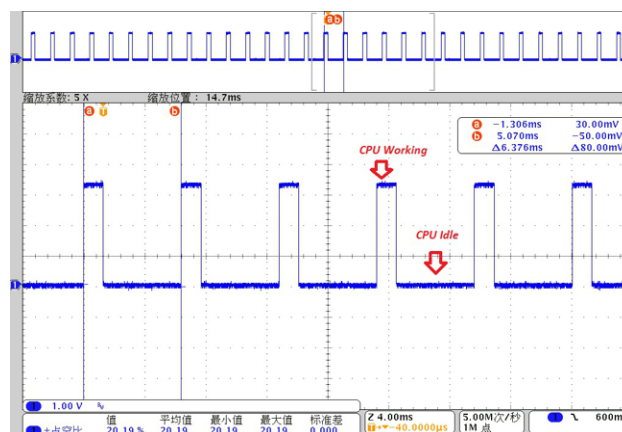


图 12. MCU Work Loading Without LP5569

3.2.2.2 Standby Power

The MSP430FR2522 MCU was used in this design. The MSP430FR2522 is an ultra-low-power MSP430™ microcontroller for capacitive touch sensing that features CapTIvate touch technology for buttons and proximity applications. MSP430 MCUs with CapTIvate technology provide the most integrated and autonomous capacitive-touch solution in the market with high reliability and noise immunity at the lowest power. TI's capacitive touch technology supports concurrent self-capacitance and mutual-capacitance electrodes on the same design for maximum flexibility. MSP430 MCUs with CapTIvate technology operate through thick glass, plastic enclosures, metal, and wood with operation in harsh environments including wet, greasy, and dirty environments.

With the MSP430FR2522 very low standby power consumption is achieved., [表 3](#) lists the power consumption of the MSP430FR2522, LP5569, and LDO. This table shows that under LPM0 mode (CPU idle), the standby current of the MSP430FR2522 is 430 μA , and under LPM4 mode (Deep sleep), the standby current of the MSP430FR2522 is only 2.5 μA .

表 3. TIDA-01559 Standby Power Consumption

	Work Mode		Unit
MCU	LPM0 (CPU idle)	430	μA
	LPM4 (Deep sleep)	2.5	μA
LDO (3.3 V)	TLV743333PDBVR	47	μA
LDO (1.8 V)	TLV743318PDBVR	180	μA
LED	LP5569 \times 4	70	μA

4 Design Files

4.1 Schematics

To download the schematics, see the design files at [TIDA-01559](#).

4.2 Bill of Materials

To download the bill of materials (BOM), see the design files at [TIDA-01559](#).

4.3 PCB Layout Recommendations

Follow this list for proper PCB layout:

1. Use proper grounding and short traces for the external crystal to reduce parasitic capacitance.
2. Incorporate proper bypass capacitors on DVCC and reference pins, if used.
3. Avoid routing any high-frequency signal close to an analog signal line. For example, keep digital switching signals such as PWM or JTAG signals away from the oscillator circuit.
4. Use proper ESD level protection to protect the device from unintended high-voltage electrostatic discharge.

4.3.1 Layout Prints

To download the layer plots, see the design files at [TIDA-01559](#).

4.4 Altium Project

To download the Altium project files, see the design files at [TIDA-01559](#).

4.5 Gerber Files

To download the Gerber files, see the design files at [TIDA-01559](#).

4.6 Assembly Drawings

To download the assembly drawings, see the design files at [TIDA-01559](#).

5 Software Files

To download the software files, see the design files at [TIDA-01559](#).

6 Related Documentation

1. [LP5569 Nine-Channel I2C RGB LED Driver With Engine Control and Charge Pump Data Sheet](#)
2. [MSP430FR25x2 Capacitive Touch Sensing Mixed-Signal Microcontrollers Data Sheet](#)

6.1 商标

E2E, CapTIvate, MSP430, BoosterPack, LaunchPad, MSP430Ware, Code Composer Studio are trademarks of Texas Instruments.

7 About the Authors

YUAN (JASON) TAO is a systems engineer at Texas Instruments, where he is responsible for developing reference design solutions for the industrial segment. Yuan brings to this role his extensive experience in power electronics, high-frequency DC/DC, AC/DC converters, and analog circuit design. Yuan earned his master of IC design and manufacture from Shanghai Jiao Tong University in 2007.

Fan (Hawken) Li is a systems engineer at Texas Instruments, where he is responsible for developing reference design solutions for the industrial segment. Hawken brings to this role his extensive experience in home appliances, including motor driver, EP, analog circuit design, and so forth.

有关 TI 设计信息和资源的重要通知

德州仪器 (TI) 公司提供的技术、应用或其他设计建议、服务或信息，包括但不限于与评估模块有关的参考设计和材料（总称“TI 资源”），旨在帮助设计人员开发整合了 TI 产品的应用；如果您（个人，或如果是代表贵公司，则为贵公司）以任何方式下载、访问或使用了任何特定的 TI 资源，即表示贵方同意仅为该等目标，按照本通知的条款进行使用。

TI 所提供的 TI 资源，并未扩大或以其他方式修改 TI 对 TI 产品的公开适用的质保及质保免责声明；也未导致 TI 承担任何额外的义务或责任。TI 有权对其 TI 资源进行纠正、增强、改进和其他修改。

您理解并同意，在设计应用时应自行实施独立的分析、评价和判断，且应全权负责并确保应用的安全性，以及您的应用（包括应用中使用的 TI 产品）应符合所有适用的法律法规及其他相关要求。就您的应用声明，您具备制订和实施下列保障措施所需的一切必要专业知识，能够 (1) 预见故障的危险后果，(2) 监视故障及其后果，以及 (3) 降低可能导致危险的故障几率并采取适当措施。您同意，在使用或分发包含 TI 产品的任何应用前，您将彻底测试该等应用和该等应用所用 TI 产品的功能而设计。除特定 TI 资源的公开文档中明确列出的测试外，TI 未进行任何其他测试。

您只有在为开发包含该等 TI 资源所列 TI 产品的应用时，才被授权使用、复制和修改任何相关单项 TI 资源。但并未依据禁止反言原则或其他法律授予您任何 TI 知识产权的任何其他明示或默示的许可，也未授予您 TI 或第三方的任何技术或知识产权的许可，该等许可包括但不限于任何专利权、版权、屏蔽作品权或与使用 TI 产品或服务的任何整合、机器制作、流程相关的其他知识产权。涉及或参考了第三方产品或服务的信息不构成使用此类产品或服务的许可或与其相关的保证或认可。使用 TI 资源可能需要您向第三方获得对该等第三方专利或其他知识产权的许可。

TI 资源系“按原样”提供。TI 兹免除对 TI 资源及其使用作出所有其他明确或默示的保证或陈述，包括但不限于对准确性或完整性、产权保证、无屡发故障保证，以及适销性、适合特定用途和不侵犯任何第三方知识产权的任何默认保证。

TI 不负责任何申索，包括但不限于因组合产品所致或与之有关的申索，也不为您辩护或赔偿，即使该等产品组合已列于 TI 资源或其他地方。对因 TI 资源或其使用引起或与之有关的任何实际的、直接的、特殊的、附带的、间接的、惩罚性的、偶发的、从属或惩戒性损害赔偿，不管 TI 是否获悉可能会产生上述损害赔偿，TI 概不负责。

您同意向 TI 及其代表全额赔偿因您不遵守本通知条款和条件而引起的任何损害、费用、损失和/或责任。

本通知适用于 TI 资源。另有其他条款适用于某些类型的材料、TI 产品和服务的使用和采购。这些条款包括但不限于适用于 TI 的半导体产品 (<http://www.ti.com/sc/docs/stdterms.htm>)、[评估模块](http://www.ti.com/sc/docs/sampters.htm)和样品 (<http://www.ti.com/sc/docs/sampters.htm>) 的标准条款。

邮寄地址：上海市浦东新区世纪大道 1568 号中建大厦 32 楼，邮政编码：200122
Copyright © 2018 德州仪器半导体技术（上海）有限公司