

TPA2013D1 Boost Converter Component Specification

Stephen Crump

Audio and Imaging Products

ABSTRACT

Loss of output power is a common problem in battery-powered systems as the battery discharges. This problem can be overcome with a boost converter to power the audio power output amplifiers, like the converter and amplifier in the Texas Instruments TPA2013D, a single-chip solution. Passive components used with the converter dramatically affect its operation, so it is necessary to choose these components carefully. This application report provides a set of rules to enable the user to make appropriate choices.

1 Introduction

A common problem in battery-powered systems is loss of audio output as the battery discharges. Audio power must be reduced or limited to the level available at minimum battery voltage or distortion becomes unacceptable. It is possible to overcome this problem by using a boost converter, a switching device that boosts battery output to a fixed higher voltage, to power the audio amplifiers. TI's TPA2013D1 combines a high-efficiency boost converter with a class-D amplifier to provide an efficient single-chip solution to the problem.

Basics of boost circuit operation are conceptually fairly simple, but the selection of passive components to support the boost circuit can be complicated. However, it is possible to recommend components that work effectively at several different output power levels. These components can be specified in table form to eliminate the problem of component selection for users. That is the intent of this application report.

2 TPA2013D1 Configuration

The full circuit for the TPA2013D1 is shown in the following reference schematic, which includes its boost converter and class-D amplifier and the required supporting passive components. The passive components are input and output capacitors C_i and C_o and the switching inductor L_i plus feedback resistors R_f and R_g .

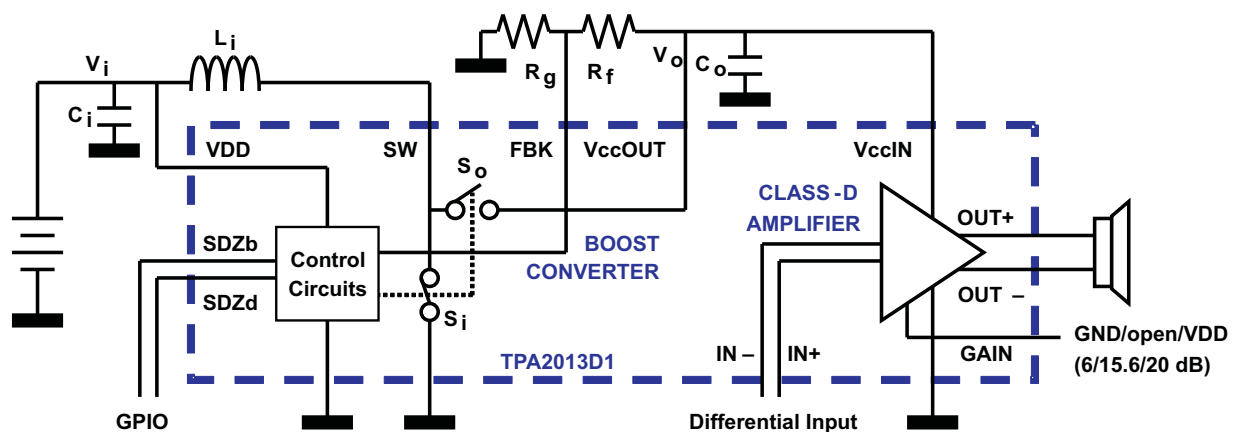


Figure 1. TPA2013D1 Circuit Configuration

The passive components must have the following characteristics.

- The inductor must maintain nearly its full-rated value at the input current required at peak output power.
 - It is important to realize that peak inductor current is typically nearly twice output current, because output power equals input power divided by circuit efficiency. So, peak input current is approximately peak output current multiplied by output voltage V_{CC} and divided by input voltage V_{DD} , plus 10% for the efficiency, typically 90% or more for the boost circuit. Because V_{CC} is greater than V_{DD} , peak inductor current is typically nearly twice peak output current. Inductor L_1 must be rated for this peak current.
- Input and output capacitors must maintain nearly their full nominal values at the voltages applied to them.
 - The value of output capacitor C_o determines peak-to-peak output ripple voltage ΔV . High values of ΔV can cause difficulty with EMC, so C_o must be chosen to limit ΔV to a low value like 30 mV.
- The feedback resistor must have a value of 500 k Ω to provide optimal stability.

For the reasons supporting these rules, see TI application report *Passive Component Selection for TPA2013D1 Boost Converter* ([SLOA127](#)), which provides full descriptions and equations regarding passive components.

These rules lead to the recommended sources and part numbers for the capacitors and inductor shown in the following table. A pair of equations that specify how to select the feedback resistors follows the table.

3 Input Capacitor

Input capacitor C_1 is a 10- μ F, 10-V component. The value of input capacitor C_1 generally does not vary with application. The following part numbers are recommended.

Kemet – C1206C106K8PACTU
 TDK – C3216X5R1A106KT
 Murata – GRM32ER61A106KA01B
 Taiyo Yuden – LMK316BJ106KL-TR

4 Switching Inductor and Output Capacitor

Class-D Output Power (W) ⁽¹⁾	Class-D Load (Ω)	Minimum V_{DD} (V)	Required V_{CC} (V)	Max I_L (A)	L (μ H)	Inductor Vendor Part Numbers	Max ΔV (mVpp)	C ⁽²⁾ (μ F)	Capacitor Vendor Part Numbers
1	8	3	4.3	0.70	3.3	Toko DE2812C Coilcraft DO3314 Murata LQH3NPN3R3NG0	30	10	Kemet C1206C106K8PACTU Murata GRM32ER61A106KA01B Taiyo Yuden LMK316BJ106ML-T
					4.7			22	
1.6	8	3	5.5	1.13	4.7	Murata LQH32PN4R7NN0 Toko DE4514C Coilcraft LPS4018-472	30	22	Murata GRM32ER71A226KE20L Taiyo Yuden LMK316BJ226ML-T
					3.3			33	
2	4	3	4.6	1.53	3.3	Murata LQH55PN3R3NR0 Toko DE4514C	30	33	TDK C4532X5R1A336M
					6.2			47	
2.3	4	1.8	5.5	2	6.2	Sumida CDRH5D28NP-6R2NC	30	47	Murata GRM32ER61A476KE20L Taiyo Yuden LMK325BJ476MM-T
					3.3			33	

⁽¹⁾ All power levels are calculated at 1% THD unless otherwise noted.

⁽²⁾ All values listed are for ceramic capacitors.

Other components might work effectively at the power levels shown in the preceding table, but they must maintain the important characteristics of the recommended components to do so.

- If different inductors are used, they must have saturation current and DCR ratings at least as good as those of the recommended inductors.
- If different capacitors are used, they must have dc voltage ratings of at least 10 V and be made of X5R, X7R, or better material.
- Their effectiveness must be verified in comparison to the recommended components before committing to their use.

5 Feedback Resistors

The following equations are used to determine values for the feedback resistors.

- $R_f = 499 \text{ k}\Omega$. This value helps maintain stability with the LC filter selections in the preceding table.
- $R_g = R_f \times 0.5 / (V_{CC} - 0.5)$, where the value 0.5 is an internal feedback reference.

6 Results With Recommended Components

The second set of recommended components, producing 1.6 W into 8 Ω at 10% THD+N from 5.5 Vdc, includes a 4.7- μH inductor and a 10- μF capacitor. The result with these components is shown in the following graph. Clipping is flat, indicating that the boost circuit output voltage, the power supply to the amplifier, is essentially constant. The boost circuit operates as expected with these components.

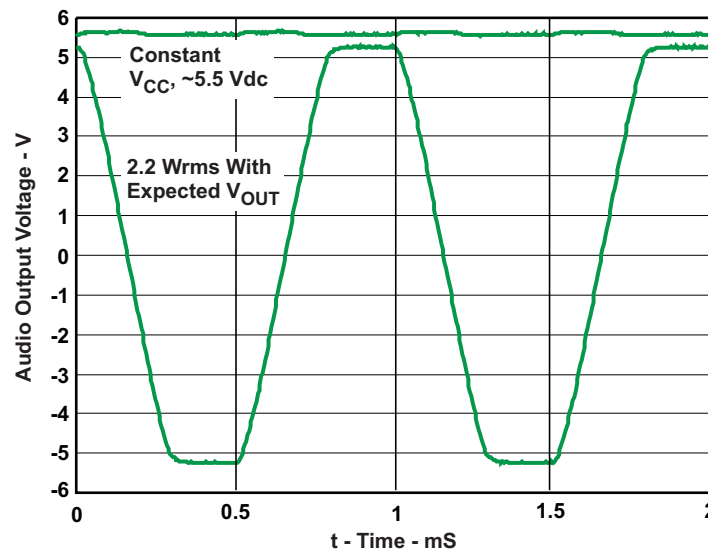


Figure 2. Output Power With Recommended Inductor

Output power is 2.2 W, approximately what is expected. (Output power at 10% THD+N is about 26% more than output power at 1% THD+N with flat clipping like that shown in the following graph.)

7 Results With Components That Are Not Recommended

The result with nonrecommended components can fail to meet expectations. An example is shown in the following graph, where it is compared to the result in the preceding graph. Output power at 10% THD+N is reduced to 1.7 W. In addition, clipping is not flat, indicating that the boost circuit cannot maintain a constant output voltage but instead produces high output ripple. With nonrecommended components, the boost circuit does not perform as expected and causes early clipping.

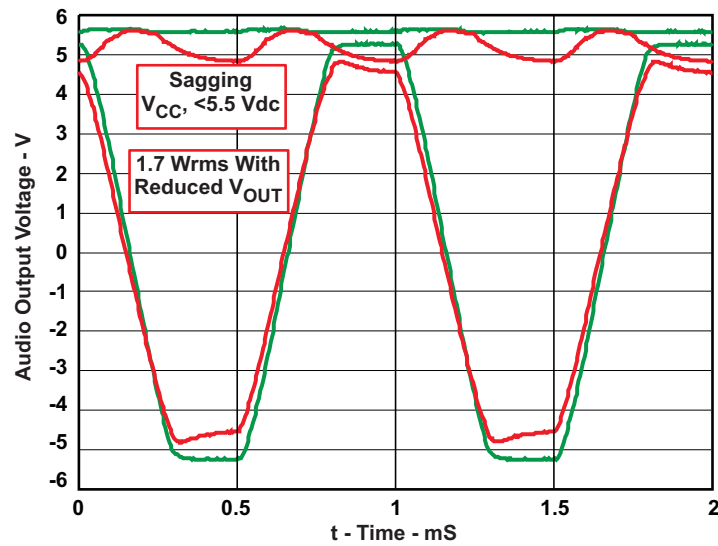


Figure 3. Output Power With Saturating Inductor – Not Recommended

The difference between the two results is simply the inductor. In both cases, the nominal inductor value is $4.7 \mu\text{H}$, but in the second case the inductor saturates at low output currents. So, it does not permit the boost converter to transfer the energy for the TPA2013D1 to reach its rated output. This demonstrates the importance of selecting appropriate passive components for TPA2013D1. Applying the guidelines of this document makes that selection an easier process.

IMPORTANT NOTICE

Texas Instruments Incorporated and its subsidiaries (TI) reserve the right to make corrections, modifications, enhancements, improvements, and other changes to its products and services at any time and to discontinue any product or service without notice. Customers should obtain the latest relevant information before placing orders and should verify that such information is current and complete. All products are sold subject to TI's terms and conditions of sale supplied at the time of order acknowledgment.

TI warrants performance of its hardware products to the specifications applicable at the time of sale in accordance with TI's standard warranty. Testing and other quality control techniques are used to the extent TI deems necessary to support this warranty. Except where mandated by government requirements, testing of all parameters of each product is not necessarily performed.

TI assumes no liability for applications assistance or customer product design. Customers are responsible for their products and applications using TI components. To minimize the risks associated with customer products and applications, customers should provide adequate design and operating safeguards.

TI does not warrant or represent that any license, either express or implied, is granted under any TI patent right, copyright, mask work right, or other TI intellectual property right relating to any combination, machine, or process in which TI products or services are used. Information published by TI regarding third-party products or services does not constitute a license from TI to use such products or services or a warranty or endorsement thereof. Use of such information may require a license from a third party under the patents or other intellectual property of the third party, or a license from TI under the patents or other intellectual property of TI.

Reproduction of TI information in TI data books or data sheets is permissible only if reproduction is without alteration and is accompanied by all associated warranties, conditions, limitations, and notices. Reproduction of this information with alteration is an unfair and deceptive business practice. TI is not responsible or liable for such altered documentation. Information of third parties may be subject to additional restrictions.

Resale of TI products or services with statements different from or beyond the parameters stated by TI for that product or service voids all express and any implied warranties for the associated TI product or service and is an unfair and deceptive business practice. TI is not responsible or liable for any such statements.

TI products are not authorized for use in safety-critical applications (such as life support) where a failure of the TI product would reasonably be expected to cause severe personal injury or death, unless officers of the parties have executed an agreement specifically governing such use. Buyers represent that they have all necessary expertise in the safety and regulatory ramifications of their applications, and acknowledge and agree that they are solely responsible for all legal, regulatory and safety-related requirements concerning their products and any use of TI products in such safety-critical applications, notwithstanding any applications-related information or support that may be provided by TI. Further, Buyers must fully indemnify TI and its representatives against any damages arising out of the use of TI products in such safety-critical applications.

TI products are neither designed nor intended for use in military/aerospace applications or environments unless the TI products are specifically designated by TI as military-grade or "enhanced plastic." Only products designated by TI as military-grade meet military specifications. Buyers acknowledge and agree that any such use of TI products which TI has not designated as military-grade is solely at the Buyer's risk, and that they are solely responsible for compliance with all legal and regulatory requirements in connection with such use.

TI products are neither designed nor intended for use in automotive applications or environments unless the specific TI products are designated by TI as compliant with ISO/TS 16949 requirements. Buyers acknowledge and agree that, if they use any non-designated products in automotive applications, TI will not be responsible for any failure to meet such requirements.

Following are URLs where you can obtain information on other Texas Instruments products and application solutions:

Products

Amplifiers	amplifier.ti.com
Data Converters	dataconverter.ti.com
DSP	dsp.ti.com
Clocks and Timers	www.ti.com/clocks
Interface	interface.ti.com
Logic	logic.ti.com
Power Mgmt	power.ti.com
Microcontrollers	microcontroller.ti.com
RFID	www.ti-rfid.com
RF/IF and ZigBee® Solutions	www.ti.com/lprf

Applications

Audio	www.ti.com/audio
Automotive	www.ti.com/automotive
Broadband	www.ti.com/broadband
Digital Control	www.ti.com/digitalcontrol
Medical	www.ti.com/medical
Military	www.ti.com/military
Optical Networking	www.ti.com/opticalnetwork
Security	www.ti.com/security
Telephony	www.ti.com/telephony
Video & Imaging	www.ti.com/video
Wireless	www.ti.com/wireless

Mailing Address: Texas Instruments, Post Office Box 655303, Dallas, Texas 75265
Copyright © 2008, Texas Instruments Incorporated