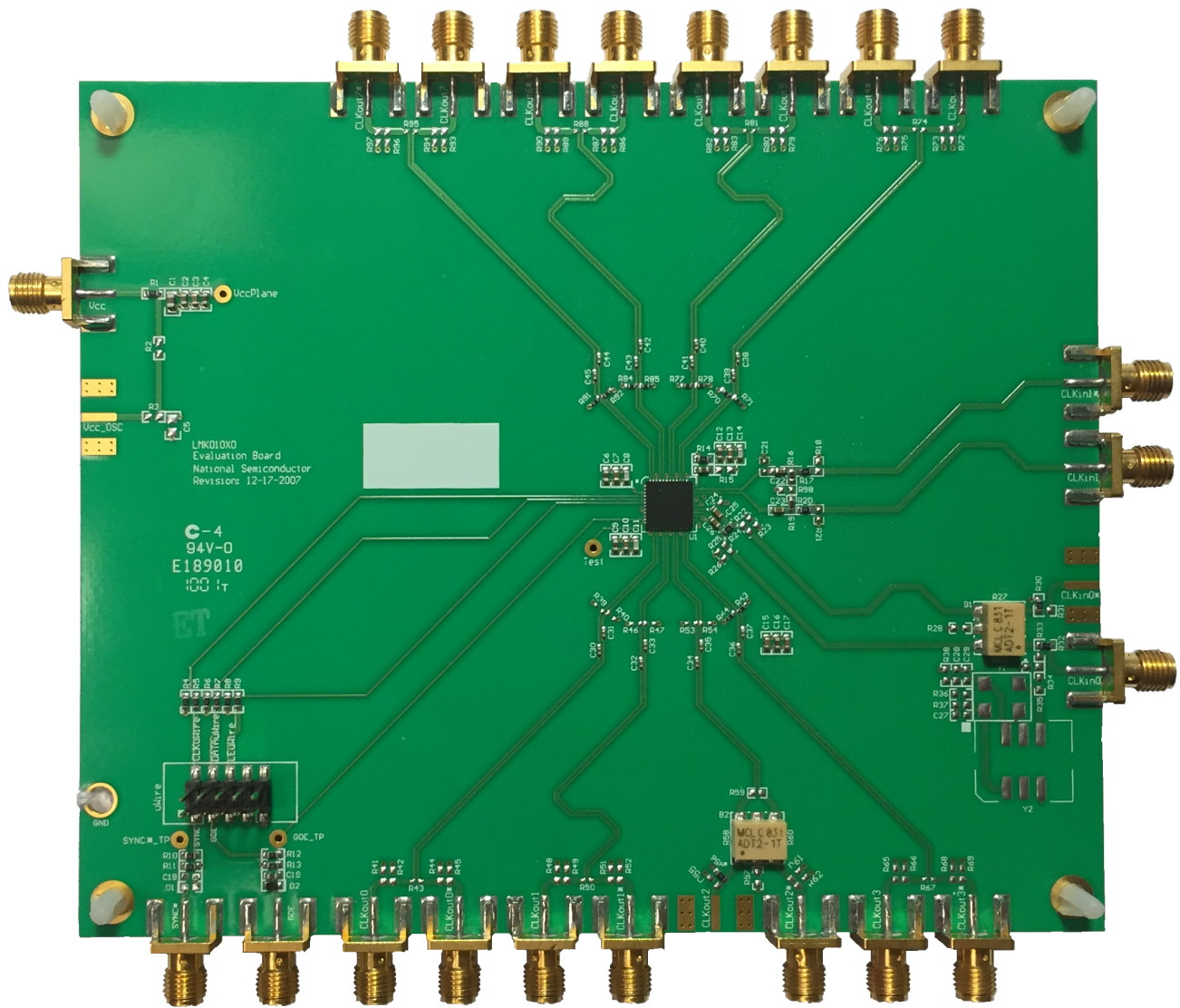


# LMK01000

The LMK01000EVM is for the LMK01000 1.6 GHz High Performance Clock Buffer, Divider, and Distributer. The EVM can be used for device evaluation, compliance testing, and system prototyping.



**Figure 1. LMK01000EVM**

### Contents

1	Overview .....	3
2	Necessary Equipment .....	3
3	Basic Operation .....	3
4	Schematics .....	6
5	Quick Start for EVM communications .....	9

### List of Figures

1	LMK01000EVM .....	1
2	LMK01000 EVM Set Up .....	4
3	GUI 1 .....	4
4	GUI 2 .....	5
5	Schematic 1 .....	6
6	Schematic 2 .....	7
7	Schematic 3 .....	8
8	USB2ANY-uWIRE Set up .....	9
9	USB2ANY-uWIRE Board Set Up .....	9
10	10 Pin Adapter Configuration .....	10
11	USB2ANY to LMK01000 Jumper Configuration.....	10

### Trademarks

All trademarks are the property of their respective owners.

## **LMK01000 EVM Operating Instructions**

---

---

---

### **1 Overview**

The LMK01000EVM is for the LMK01000 1.6 GHz High Performance Clock Buffer, Divider, and Distributer. The EVM can be used for device evaluation, compliance testing, and system prototyping.

### **2 Necessary Equipment**

- **Power Supply:**
  - The Power Supply should be a low noise power supply. An Agilent 6623A Triple power supply with LC filters on the output to reduce noise was used in creating these evaluation board instructions.
- **Phase Noise / Spectrum Analyzer:**
  - For measuring phase noise an Agilent E5052A is recommended. An Agilent E4445A PSA Spectrum Analyzer with the Phase Noise option is also usable although the architecture of the E5052A is superior for phase noise measurements. At frequencies less than 100 MHz the local oscillator noise of the PSA is too high and measurements will be of the local oscillator, not the device under test
- **Oscilloscope:**
  - The oscilloscope and probes should be capable of measuring the output frequencies of interest when evaluating this board. The Agilent Infiniium DSO81204A was used in creating these evaluation board instructions.
- **Reference Oscillator:**
  - The on board crystal oscillator will provide a low noise reference signal to the device at offsets greater than 1 kHz. Note: The default loop filter has a loop bandwidth of ~60 kHz. Inside the loop bandwidth of a PLL the noise is greatly affected by any noise on the reference oscillator (OSCin). Therefore any noise on the oscillator less than 60 kHz will be passed through and seen on the outputs. For this reason the main output of a Signal Generator is not recommended for driving OSCin in this setup.

### **3 Basic Operation**

- 1) Connect a low noise 3.3 V power supply to the Vcc connector located at the top left of the board.
- 2) Connect 122.88 MHz signal from signal generator output to CLKin0 of board.
- 3) Connect PC to the uWire header. For quick start on interfacing the board please see [Section 5](#).

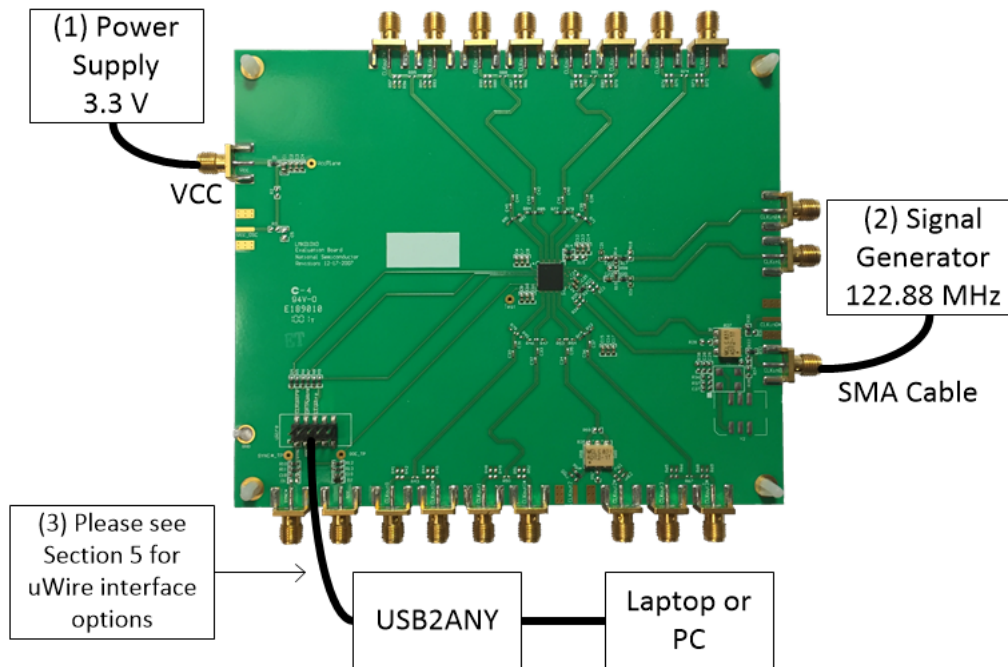


Figure 2. LMK01000 EVM Set Up

- 4) Start TICS Pro software.
- 5) Select the device by "Select Device" → "Clock Distribution with Divider" → "LMK10x0" → "LMK1000".

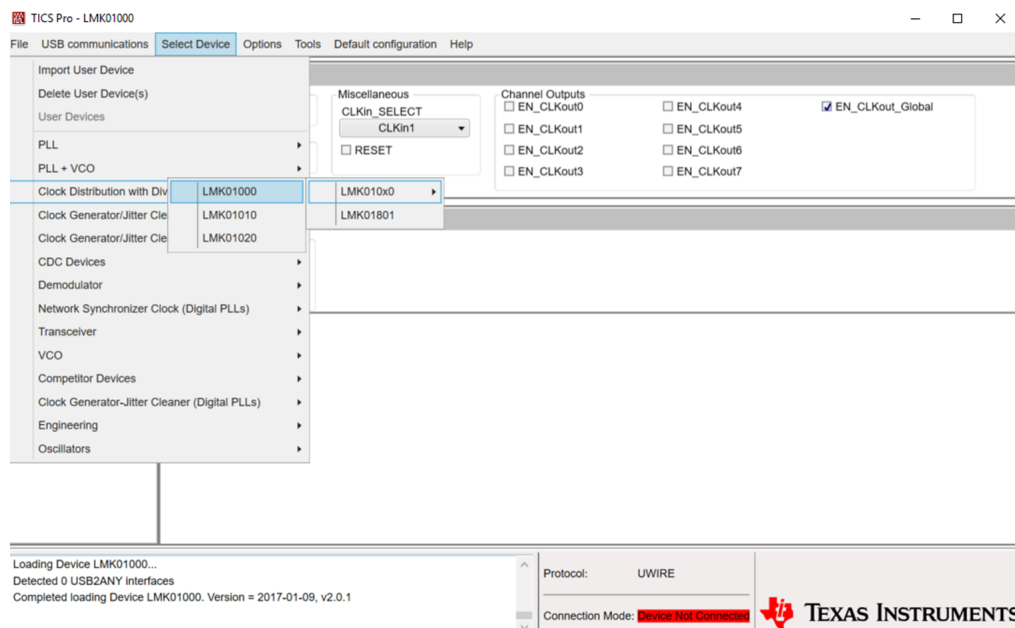


Figure 3. GUI 1

- 6) Enable the output to measure (example CLKout0 is enabled see Figure 4).

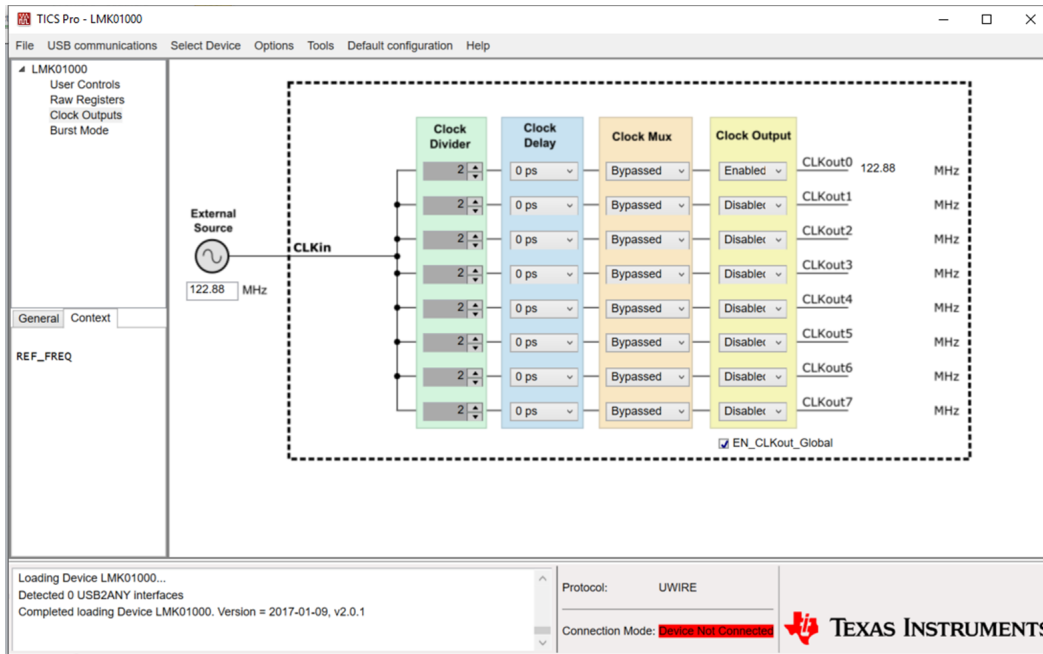


Figure 4. GUI 2

- 7) Program the part by clicking "USB communications"→"Write All Registers" or by pressing Ctrl+L.

4 Schematics

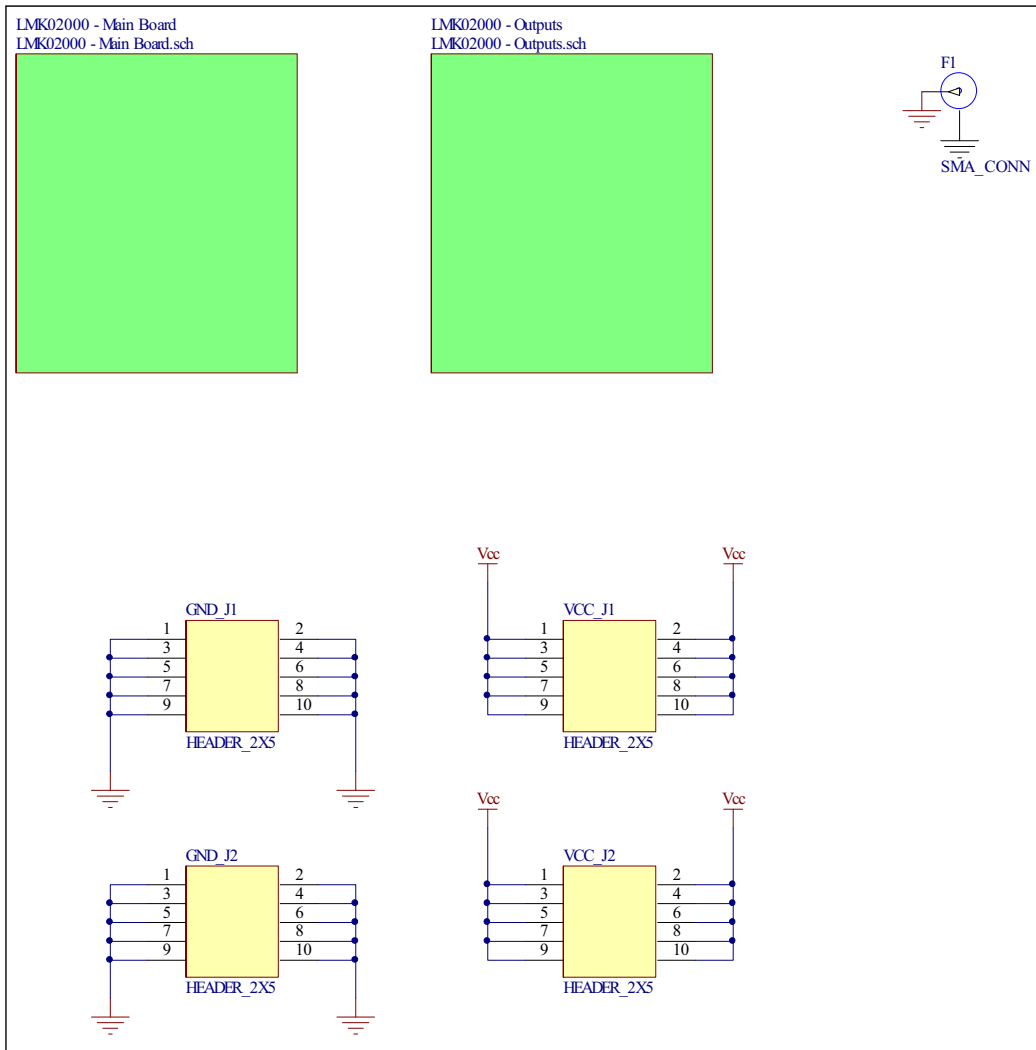


Figure 5. Schematic 1

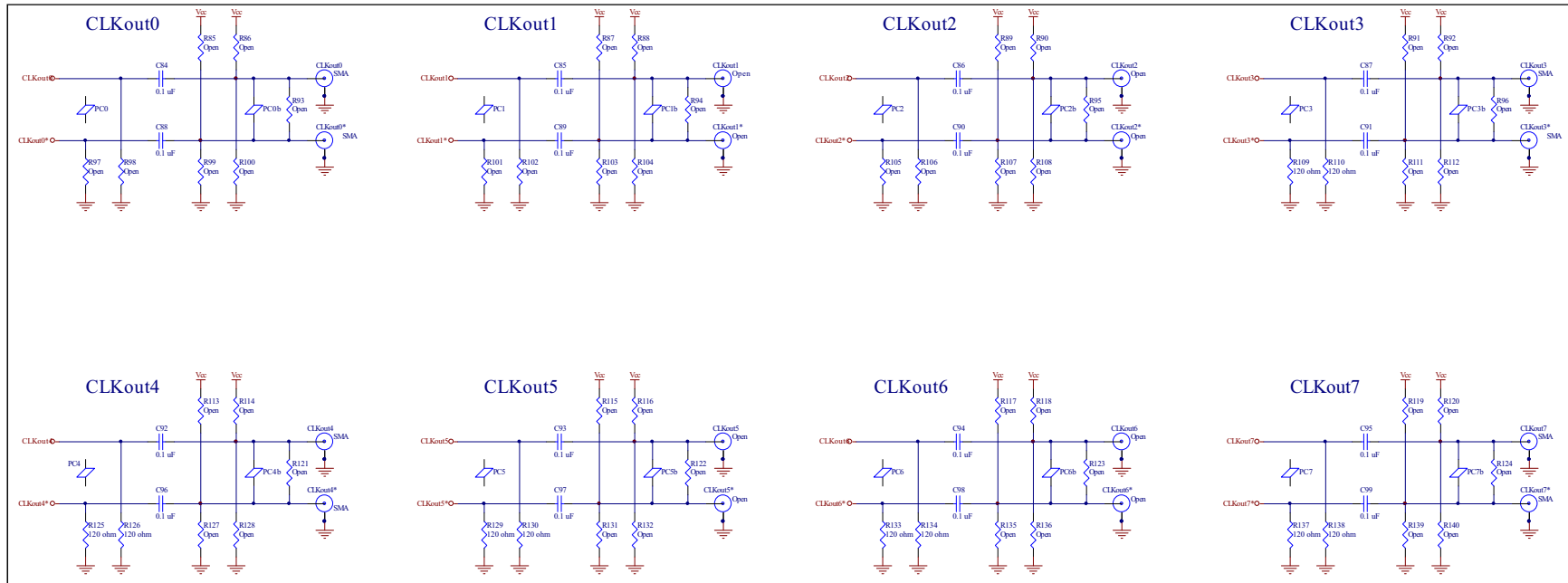


Figure 6. Schematic 2

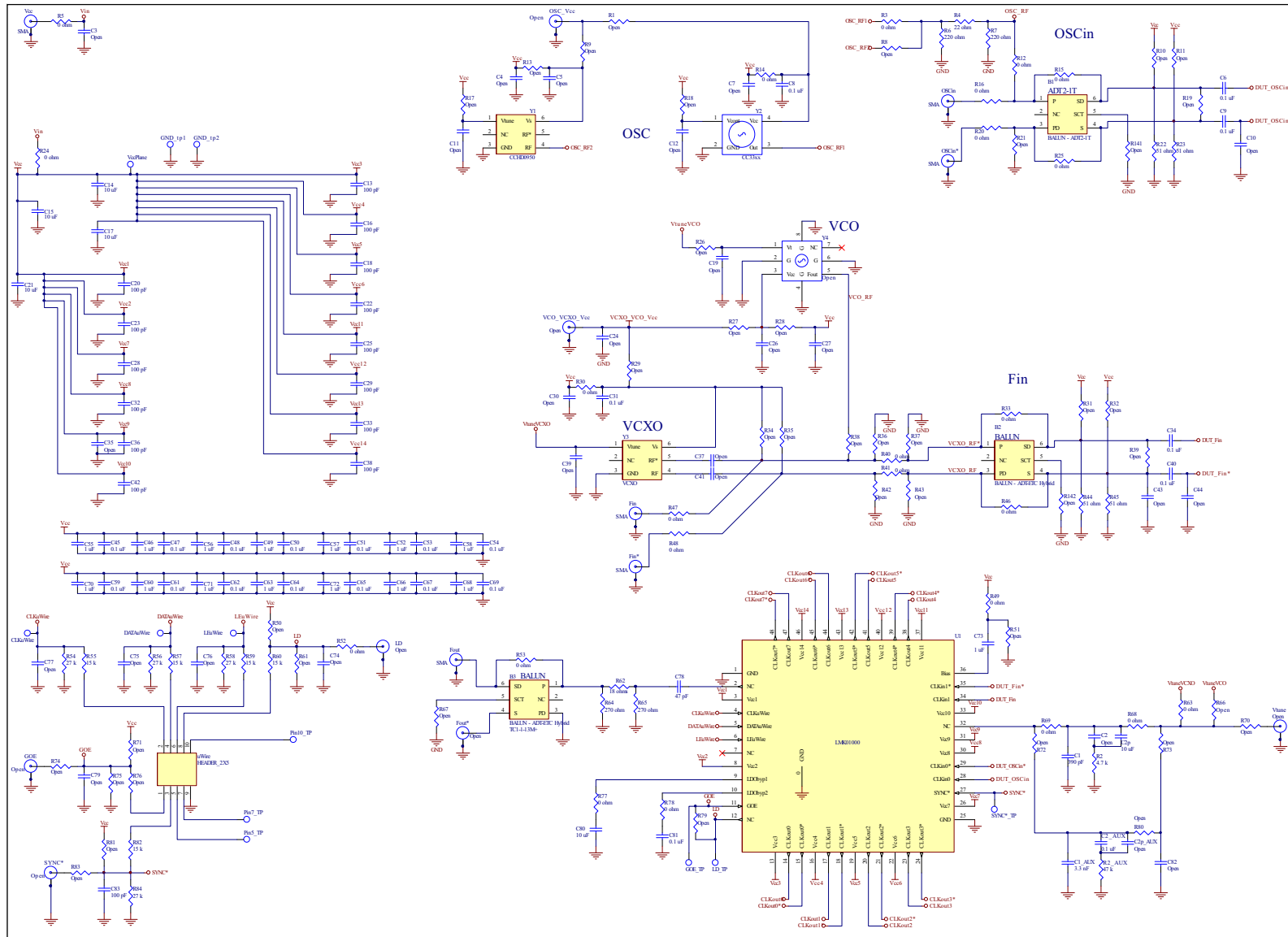


Figure 7. Schematic 3



## 5 Quick Start for EVM communications

TICS Pro is the software used to communicate with the EVM (Please download the latest version from TI.com - <http://www.ti.com/tool/TICSPRO-SW>). This EVM can be controlled through the uWire interface on the board using USB2ANY and an adapter board. Under "USB communications" → "interface" select USB2ANY.

### USB2ANY-uWire

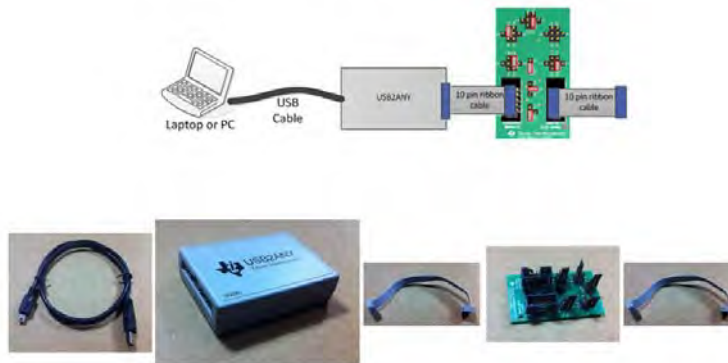


Figure 8. USB2ANY-uWIRE Set up

Connect LMK010x0 EVM to USB2ANY using USB2ANY-uWIRE board as shown:

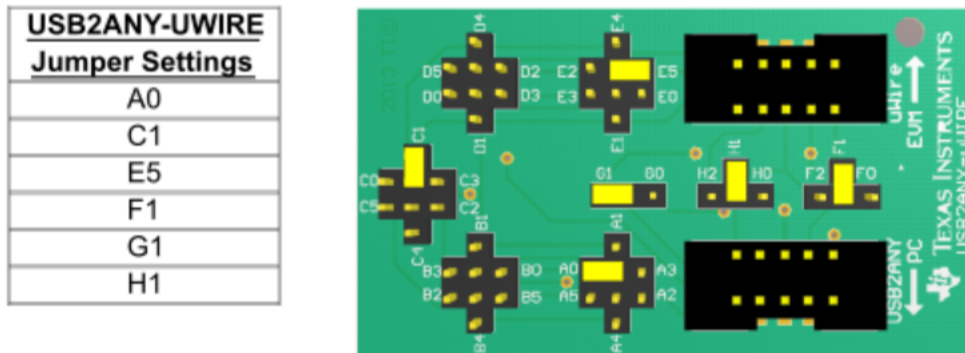


Figure 9. USB2ANY-uWIRE Board Set Up

Alternatively if a USB2ANY-uWIRE board is not available the 10 pin connector can be spliced and connected as shown in [Figure 10](#), or jumpers can be used to connect USB2ANY directly to the EVM. Necessary connections include: GND, DATA, CLK, LE, GOE, and SYNC.

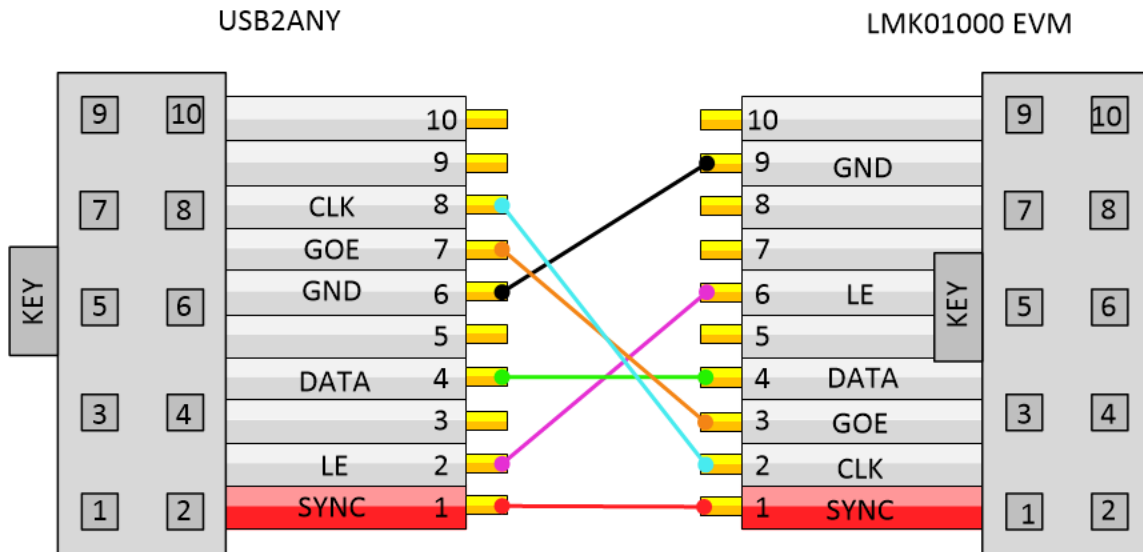


Figure 10. 10 Pin Adapter Configuration

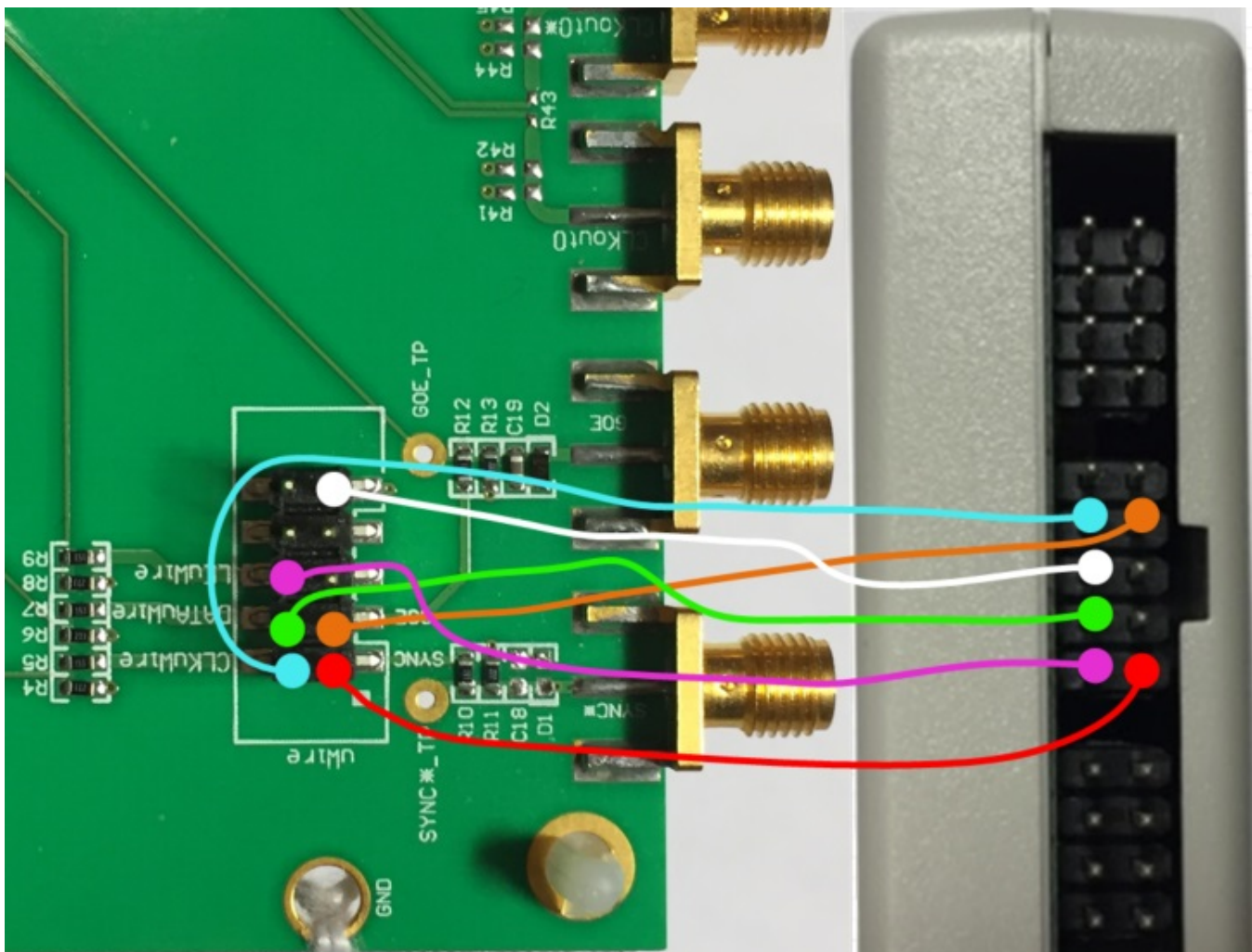


Figure 11. USB2ANY to LMK01000 Jumper Configuration

## Revision History

NOTE: Page numbers for previous revisions may differ from page numbers in the current version.

<b>Changes from A Revision (November 2013) to B Revision</b>	<b>Page</b>
• Changed throughout document.....	<b>3</b>

---

## IMPORTANT NOTICE AND DISCLAIMER

TI PROVIDES TECHNICAL AND RELIABILITY DATA (INCLUDING DATA SHEETS), DESIGN RESOURCES (INCLUDING REFERENCE DESIGNS), APPLICATION OR OTHER DESIGN ADVICE, WEB TOOLS, SAFETY INFORMATION, AND OTHER RESOURCES "AS IS" AND WITH ALL FAULTS, AND DISCLAIMS ALL WARRANTIES, EXPRESS AND IMPLIED, INCLUDING WITHOUT LIMITATION ANY IMPLIED WARRANTIES OF MERCHANTABILITY, FITNESS FOR A PARTICULAR PURPOSE OR NON-INFRINGEMENT OF THIRD PARTY INTELLECTUAL PROPERTY RIGHTS.

These resources are intended for skilled developers designing with TI products. You are solely responsible for (1) selecting the appropriate TI products for your application, (2) designing, validating and testing your application, and (3) ensuring your application meets applicable standards, and any other safety, security, regulatory or other requirements.

These resources are subject to change without notice. TI grants you permission to use these resources only for development of an application that uses the TI products described in the resource. Other reproduction and display of these resources is prohibited. No license is granted to any other TI intellectual property right or to any third party intellectual property right. TI disclaims responsibility for, and you will fully indemnify TI and its representatives against, any claims, damages, costs, losses, and liabilities arising out of your use of these resources.

TI's products are provided subject to [TI's Terms of Sale](#) or other applicable terms available either on [ti.com](http://ti.com) or provided in conjunction with such TI products. TI's provision of these resources does not expand or otherwise alter TI's applicable warranties or warranty disclaimers for TI products.

TI objects to and rejects any additional or different terms you may have proposed.

Mailing Address: Texas Instruments, Post Office Box 655303, Dallas, Texas 75265  
Copyright © 2022, Texas Instruments Incorporated