

# DP83TC811R-Q1 低消費電力車載用PHY

## 100BASE-T1車載用イーサネット物理層トランシーバ

### 1 特長

- 100BASE-T1 - IEEE 802.3bw準拠
  - OPEN Alliance認定済み
  - BroadR-Reachおよび100BASE-T1 PHYと相互運用可能
- 車載アプリケーション用にAEC-Q100認定済み
  - デバイス温度グレード 1: 動作時周囲温度  $-40^{\circ}\text{C} \sim +125^{\circ}\text{C}$
  - デバイスHBM ESD分類レベル3A
  - デバイスCDM ESD分類レベルC5: ピン5を除くすべてのピン
  - デバイスCDM ESD分類レベルC3: ピン5
  - デバイスIEC61000-4-2 ESD分類レベル4: ピン12および13: 接触放電 $\pm 8\text{kV}$
- MACインターフェイス: MII, RMII, RGMII
- VQFN、ウェットプル・フランク・パッケージ
- IEEE 1588 SFDのサポート
- AVB/TSNの短い送信および受信レイテンシ
- 低いアクティブ動作電力: 230mW未満
- I/O電圧を変更可能: 3.3V、2.5V、1.8V
- パワー・セービング機能
  - スリープ、スタンバイ、ディセーブル
  - Wake-on-LAN (WoL)
- 診断ツールキット
  - 信号品質表示(SQI)
  - 時間領域反射計測(TDR)
  - 静電放電センサ
  - 電圧センサ
  - 温度センサ
  - PRBS内蔵セルフ・テスト

### 2 アプリケーション

- バックボーン・ネットワーク
- ゲートウェイおよび車体制御
- テレマティクス

### 3 概要

DP83TC811R-Q1デバイスは、IEEE 802.3bw準拠の車載用 PHYTER™イーサネット物理層トランシーバです。シールドされていない単一のツイストペア・ケーブル上でデータを送受信するために必要な、すべての物理層機能が搭載されています。このデバイスはxMIIの柔軟性があり、標準のMII、RMII、RGMII MACインターフェイスをサポートします。

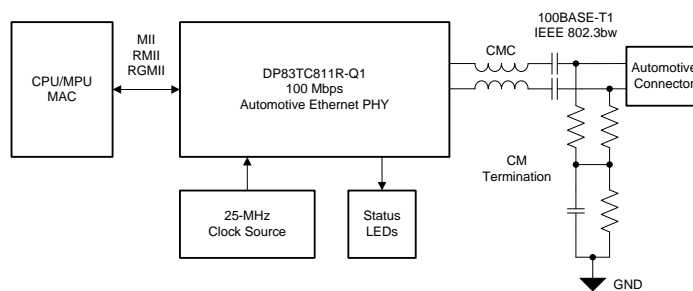
このデバイスには診断ツールキットが含まれており、広範囲リアルタイム監視ツール、デバッグ・ツール、テスト・モードが用意されています。ツールキットには、初めての統合型静電放電(ESD)監視ツールが含まれています。このツールはxMIIとMDIの両方でESDイベントをカウントでき、プログラム可能な割り込みを使用してリアルタイム監視も行えます。さらに、DP83TC811R-Q1には疑似ランダム・バイナリ・シーケンス(PRBS)フレーム生成ツールが含まれており、内部ループバックと完全に互換で、MACを使用せずデータを送受信します。DP83TC811R-Q1は、6.00mm×6.00mm、36ピンのVQFNウェットプル・フランク・パッケージに格納されます。

#### 製品情報<sup>(1)</sup>

| 型番            | パッケージ     | 本体サイズ(公称)     |
|---------------|-----------|---------------|
| DP83TC811R-Q1 | VQFN (36) | 6.00mm×6.00mm |

(1) 利用可能なすべてのパッケージについては、このデータシートの末尾にある注文情報を参照してください。

#### 概略回路図



Copyright © 2017, Texas Instruments Incorporated



## 目次

|          |  |           |           |   |            |
|----------|--|-----------|-----------|---|------------|
| <b>1</b> | <b>特長</b> .....                              | <b>1</b>  | 8.3       | Feature Description .....                   | <b>23</b>  |
| <b>2</b> | <b>アプリケーション</b> .....                        | <b>1</b>  | 8.4       | Device Functional Modes .....               | <b>30</b>  |
| <b>3</b> | <b>概要</b> .....                              | <b>1</b>  | 8.5       | Programming .....                           | <b>42</b>  |
| <b>4</b> | <b>改訂履歴</b> .....                            | <b>2</b>  | 8.6       | Register Maps .....                         | <b>46</b>  |
| <b>5</b> | <b>Device Comparison Table</b> .....         | <b>3</b>  | <b>9</b>  | <b>Application and Implementation</b> ..... | <b>111</b> |
| <b>6</b> | <b>Pin Configuration and Functions</b> ..... | <b>3</b>  | 9.1       | Application Information .....               | <b>111</b> |
| 6.1      | Pin Multiplexing .....                       | <b>8</b>  | 9.2       | Typical Applications .....                  | <b>111</b> |
| <b>7</b> | <b>Specifications</b> .....                  | <b>9</b>  | <b>10</b> | <b>Power Supply Recommendations</b> .....   | <b>117</b> |
| 7.1      | Absolute Maximum Ratings .....               | <b>9</b>  | <b>11</b> | <b>Layout</b> .....                         | <b>117</b> |
| 7.2      | ESD Ratings .....                            | <b>9</b>  | 11.1      | Layout Guidelines .....                     | <b>117</b> |
| 7.3      | Recommended Operating Conditions .....       | <b>9</b>  | 11.2      | Layout Example .....                        | <b>120</b> |
| 7.4      | Thermal Information .....                    | <b>9</b>  | <b>12</b> | <b>デバイスおよびドキュメントのサポート</b> .....             | <b>122</b> |
| 7.5      | Electrical Characteristics .....             | <b>10</b> | 12.1      | ドキュメントの更新通知を受け取る方法 .....                    | <b>122</b> |
| 7.6      | Timing Requirements .....                    | <b>11</b> | 12.2      | コミュニティ・リソース .....                           | <b>122</b> |
| 7.7      | Timing Diagrams .....                        | <b>14</b> | 12.3      | 商標 .....                                    | <b>122</b> |
| 7.8      | Typical Characteristics .....                | <b>20</b> | 12.4      | 静電気放電に関する注意事項 .....                         | <b>122</b> |
| <b>8</b> | <b>Detailed Description</b> .....            | <b>21</b> | 12.5      | Glossary .....                              | <b>122</b> |
| 8.1      | Overview .....                               | <b>21</b> | <b>13</b> | <b>メカニカル、パッケージ、および注文情報</b> .....            | <b>122</b> |
| 8.2      | Functional Block Diagram .....               | <b>22</b> |           |   |            |

## 4 改訂履歴

資料番号末尾の英字は改訂を表しています。その改訂履歴は英語版に準じています。

### 2017年11月発行のものから更新

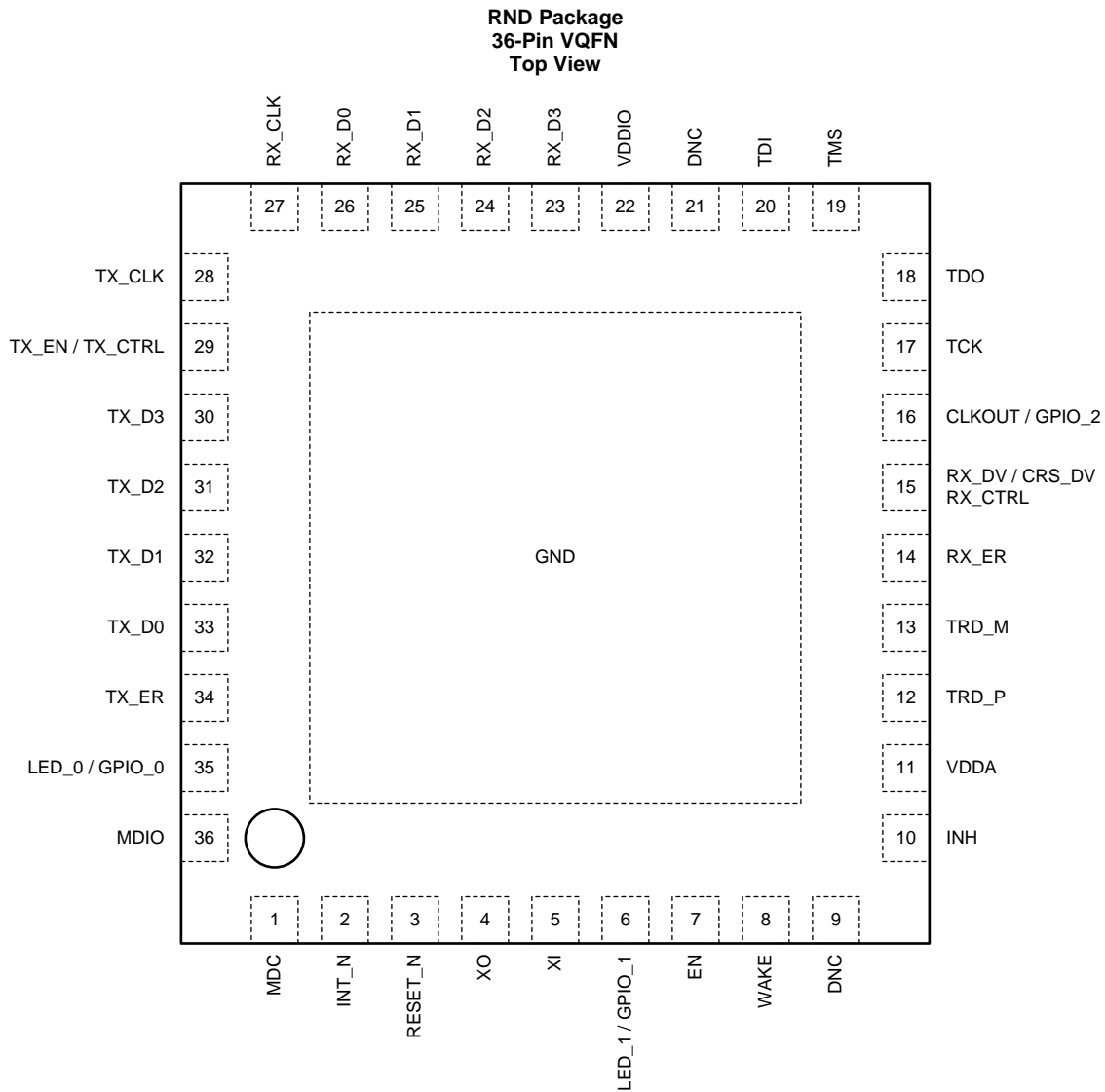
**Page**

- デバイスのステータスを「事前情報」から「量産データ」に変更 ..... **1**

## 5 Device Comparison Table

| PART NUMBER   | SGMII SUPPORT | OPERATING TEMPERATURE |
|---------------|---------------|-----------------------|
| DP83TC811R-Q1 | No            | –40°C to 125°C        |
| DP83TC811S-Q1 | Yes           | –40°C to 125°C        |

## 6 Pin Configuration and Functions



**Pin Functions<sup>(1)</sup>**

| PIN                        |     | STATE <sup>(2)</sup> | DESCRIPTION  |
|----------------------------|-----|----------------------|--|
| NAME                       | NO. |                      |  |
| <b>MAC INTERFACE</b>       |     |                      |  |
| RX_D3                      | 23  | S, PD, O             | <b>Receive Data:</b> Symbols received on the cable are decoded and transmitted out of these pins synchronous to the rising edge of RX_CLK. They contain valid data when RX_DV is asserted. A data nibble, RX_D[3:0], is transmitted in MII and RGMII modes. 2 bits; RX_D[1:0], are transmitted in RMII mode. RX_D[3:2] are not used when in RMII mode.<br><br>If the PHY is bootstrapped to RMII Master mode, a 50-MHz clock reference is automatically outputted on RX_D3. This clock should be fed to the MAC.   |
| RX_D2                      | 24  |                      |  |
| RX_D1                      | 25  |                      |  |
| RX_D0                      | 26  |                      |  |
| RX_CLK                     | 27  | O                    | <b>Receive Clock:</b> In MII and RGMII modes, the receive clock provides a 25-MHz reference clock.<br><br><b>Unused in RMII mode</b>   |
| RX_ER                      | 14  | S, PD, O             | <b>Receive Error:</b> In MII and RMII modes, this pin indicates a receive error symbol has been detected within a received packet. In MII mode, RX_ER is asserted high synchronously to the rising edge of RX_CLK. In RMII mode, RX_ER is asserted high synchronously to the rising edge of the reference clock. This pin is not required to be used by the MAC in MII or RMII because the PHY will automatically corrupt data on a receive error.<br><br><b>Unused in RGMII mode</b>  |
| RX_DV<br>CRS_DV<br>RX_CTRL | 15  | S, PD, O             | <b>Receive Data Valid:</b> This pin indicates when valid data is presented on RX_D[3:0] for MII mode.<br><b>Carrier Sense Data Valid:</b> This pin combines carrier sense and data valid into an asynchronous signal. When CRS_DV is asserted, data is presented on RX_D[1:0] in RMII mode.<br><b>RGMII Receive Control:</b> Receive control combines receive data valid indication and receive error indication into a single signal. RX_DV is presented on the rising edge of RX_CLK and RX_ER is presented on the falling edge of RX_CLK.   |
| TX_CLK                     | 28  | PD, I, O             | <b>Transmit Clock:</b> In MII mode, the transmit clock is a 25-MHz output and has constant phase referenced to the reference clock. In RGMII mode, this clock is sourced from the MAC layer to the PHY. A 25-MHz clock should be provided (not required to have constant phase to the reference clock unless synchronous RGMII is enabled in ).<br><br><b>Unused in RMII mode</b>  |
| TX_EN<br>TX_CTRL           | 29  | PD, I                | <b>Transmit Enable:</b> In MII mode, transmit enable is presented prior to the rising edge of the transmit clock. TX_EN indicates the presence of valid data inputs on TX_D[3:0]. In RMII mode, transmit enable is presented prior to the rising edge of the reference clock. TX_EN indicates the presence of valid data inputs on TX_D[1:0].<br><b>RGMII Transmit Control:</b> Transmit control combines transmit enable and transmit error indication into a single signal. TX_EN is presented prior to the rising edge of TX_CLK; TX_ER is presented prior to the falling edge of TX_CLK. |
| TX_D3                      | 30  | PD, I                | <b>Transmit Data:</b> In MII and RGMII modes, the transmit data nibble, TX_D[3:0], is received from the MAC prior to the rising edge of TX_CLK. In RMII mode, TX_D[1:0] is received from the MAC prior to the rising edge of the reference clock. TX_D[3:2] are not used in RMII mode.   |
| TX_D2                      | 31  |                      |  |
| TX_D1                      | 32  |                      |  |
| TX_D0                      | 33  |                      |  |
| TX_ER                      | 34  | PD, I                | <b>Transmit Error:</b> In MII mode, this pin indicates a transmit error symbol has been detected within a transmitted packet. TX_ER is received prior to the rising edge of TX_CLK.<br><br><b>Unused in RMII and RGMII modes</b>   |

(1) When pins are unused, follow the recommended connection requirements provided in the table above. If pins do not have required termination, they may be left floating.

(2) Pin Type:

I = Input

O = Output

IO = Input/Output

OD = Open Drain

PD = Internal pulldown

PU = Internal pullup

S = Bootstrap configuration pin (all configuration pins have weak internal pullups or pulldowns)

**Pin Functions<sup>(1)</sup> (continued)**

| PIN                                |     | STATE <sup>(2)</sup> | DESCRIPTION  |
|------------------------------------|-----|----------------------|--|
| NAME                               | NO. |                      |  |
| <b>SERIAL MANAGEMENT INTERFACE</b> |     |                      |  |
| MDC                                | 1   | I                    | <b>Management Data Clock:</b> Synchronous clock to the MDIO serial management input and output data. This clock may be asynchronous to the MAC transmit and receive clocks. The maximum clock rate is 25 MHz. There is no minimum clock rate.  |
| MDIO                               | 36  | IO                   | <b>Management Data Input/Output:</b> Bidirectional management data signal that may be sourced by the management station or the PHY. This pin requires a pullup resistor.<br>Recommended to use a resistor between 2.2 kΩ and 9 kΩ.   |
| <b>CONTROL INTERFACE</b>           |     |                      |  |
| $\overline{\text{INT}}$            | 2   | PU, OD, O            | <b>Interrupt:</b> Active-LOW output, which will be asserted LOW when an interrupt condition occurs. This pin has a weak internal pullup. Register access is necessary to enable various interrupt triggers. Once an interrupt event flag is set, register access is required to clear the interrupt event.<br><b>Note:</b> Power-on-RESET (POR) Done interrupt is enabled by default. POR Done interrupt can be cleared by reading register <a href="#">INT_STAT3 Register 0x0018 – Interrupt Status Register #3</a> .<br>This pin can be configured as an Active-HIGH output using register <a href="#">INT_TEST Register 0x0011 – Interrupt Test Register</a> .                            |
| $\overline{\text{RESET}}$          | 3   | PU, I                | <b>Reset:</b> Active-LOW input, which initializes or reinitializes the DP83TC811R-Q1. Asserting this pin LOW for at least 1 μs will force a reset process to occur. All internal registers will reinitialize to their default states as specified for each bit in the <a href="#">Register Maps</a> section. All bootstrap pins are resampled upon deassertion of reset.   |
| EN                                 | 7   | PD, I                | <b>Enable:</b> Active-HIGH input, which will disable the DP83TC811R-Q1 when pulled LOW and power down all internal blocks. Disable state is equivalent to a power-down state.<br>This pin can be directly tied to VDDIO; enabling the device.  |
| WAKE                               | 8   | PD, I                | <b>WAKE:</b> Active-HIGH input, which wakes the PHY from SLEEP. Asserting this pin HIGH at power-up will prevent the PHY from going to SLEEP.<br>This pin can be directly tied to VDDIO to wake the device.  |
| INH                                | 10  | O                    | <b>INH:</b> Active-HIGH output, which will be asserted HIGH when the PHY is in SLEEP or DISABLED. This pin is LOW for all other PHY states.  |
| <b>CLOCK INTERFACE</b>             |     |                      |  |
| XI                                 | 5   | I                    | <b>Reference Clock Input (MII and RGMII):</b> Reference clock 25-MHz ±100 ppm-tolerance crystal or oscillator input. The device supports either an external crystal resonator connected across pins XI and XO, or an external CMOS-level oscillator connected to pin XI only and XO left floating.<br><b>Reference Clock Input (RMII):</b> Reference clock 50-MHz ±100 ppm-tolerance CMOS-level oscillator in RMII Slave mode. Reference clock 25-MHz ±100 ppm-tolerance crystal or oscillator in RMII Master mode.<br>This is a fail-safe pin. When the PHY is not powered, an external oscillator is allowed to be powered and driving into this pin. Fail-safe prevents pin back-driving. |
| XO                                 | 4   | O                    | <b>Reference Clock Output:</b> XO pin is used for crystal only. This pin should be left floating when a CMOS-level oscillator is connected to XI.  |
| <b>LED/GPIO INTERFACE</b>          |     |                      |  |
| LED_0 / GPIO_0                     | 35  | S, PD, IO            | <b>LED_0:</b> Link Status  |
| LED_1 / GPIO_1                     | 6   | S, PD, IO            | <b>LED_1:</b> Link Status and BLINK for TX/RX Activity   |
| CLKOUT / GPIO_2                    | 16  | IO                   | <b>Clock Output:</b> 25-MHz reference clock  |
| <b>MEDIUM DEPENDENT INTERFACE</b>  |     |                      |  |
| TRD_M                              | 13  | IO                   | <b>Differential Transmit and Receive:</b> Bidirectional differential signaling configured for 100BASE-T1 operation, IEEE 802.3bw compliant.  |
| TRD_P                              | 12  |                      |  |
| <b>JTAG (IEEE 1149.1)</b>          |     |                      |  |
| TCK                                | 17  | PU, I                | <b>Test Clock:</b> Primary clock source for all test logic input and output. This pin is controlled by the testing entity.<br>This pin can be left unconnected if not used.  |

**Pin Functions<sup>(1)</sup> (continued)**

| PIN                      |     | STATE <sup>(2)</sup> | DESCRIPTION  |
|--------------------------|-----|----------------------|--|
| NAME                     | NO. |                      |  |
| TDO                      | 18  | O                    | <b>Test Data Output:</b> Test results are scanned out.<br>This pin can be left unconnected if not used.  |
| TMS                      | 19  | PU, I                | <b>Test Mode Select:</b> Sequences the Tap Controller (16-state FSM) to select the desired test instruction. TI recommends applying three clock cycles with TMS HIGH to reset JTAG.<br>This pin can be left unconnected if not used. |
| TDI                      | 20  | PU, I                | <b>Test Data Input:</b> Test data is scanned into the device.<br>This pin can be left unconnected if not used.   |
| <b>POWER CONNECTIONS</b> |     |                      |  |
| VDDA                     | 11  | SUPPLY               | <b>Core Supply:</b> 3.3 V<br>Recommend using 10-nF, 100-nF, 1-μF, and 10-μF ceramic decoupling capacitors; optional ferrite bead.  |
| VDDIO                    | 22  | SUPPLY               | <b>IO Supply:</b> 1.8 V, 2.5 V, or 3.3 V<br>Recommend using 10-nF, 100-nF, 1-μF, and 10-μF ceramic decoupling capacitors; optional ferrite bead.   |
| GROUND                   | DAP | GROUND               | <b>Ground</b>  |
| <b>DO NOT CONNECT</b>    |     |                      |  |
| DNC                      | 9   |                      | <b>DNC:</b> Do not connect (leave floating)  |
| DNC                      | 21  |                      | <b>DNC:</b> Do not connect (leave floating)  |

**Table 1. Pin States<sup>(1)</sup>**

| PIN NAME                  | POWER-UP / RESET |           |                 | NORMAL OPERATION: MII / RMII / RGMII |                        |                       |
|---------------------------|------------------|-----------|-----------------|--------------------------------------|------------------------|-----------------------|
|                           | PIN STATE        | PULL TYPE | PULL VALUE (kΩ) | PIN STATE                            | PULL TYPE              | PULL VALUE (kΩ)       |
| MDC                       | I                | none      | none            | I                                    | none                   | none                  |
| $\overline{\text{INT}}$   | I                | PU        | 9               | OD, O                                | PU                     | 9                     |
| $\overline{\text{RESET}}$ | I                | PU        | 9               | I                                    | PU                     | 9                     |
| XO                        | O                | none      | none            | O                                    | none                   | none                  |
| XI                        | I                | none      | none            | I                                    | none                   | none                  |
| LED_1                     | HI-Z             | PD        | 9               | O                                    | none                   | none                  |
| EN                        | I                | PD        | 500             | I                                    | PD                     | 500                   |
| WAKE                      | I                | PD        | 500             | I                                    | PD                     | 500                   |
| DNC                       | FLOAT            | none      | none            | FLOAT                                | none                   | none                  |
| INH                       | O                | none      | none            | O                                    | none                   | none                  |
| VDDA                      | SUPPLY           | none      | none            | SUPPLY                               | none                   | none                  |
| TRD_P                     | IO               | none      | none            | IO                                   | none                   | none                  |
| TRD_M                     | IO               | none      | none            | IO                                   | none                   | none                  |
| RX_ER                     | HI-Z             | PD        | 9               | O                                    | none                   | none                  |
| RX_DV                     | HI-Z             | PD        | 9               | O                                    | none                   | none                  |
| CLKOUT                    | O                | none      | none            | O                                    | none                   | none                  |
| TCK                       | I                | PU        | 9               | I                                    | PU                     | 9                     |
| TDO                       | O                | none      | none            | O                                    | none                   | none                  |
| TMS                       | I                | PU        | 9               | I                                    | PU                     | 9                     |
| TDI                       | I                | PU        | 9               | I                                    | PU                     | 9                     |
| DNC                       | FLOAT            | none      | none            | FLOAT                                | none                   | none                  |
| VDDIO                     | SUPPLY           | none      | none            | SUPPLY                               | none                   | none                  |
| RX_D3                     | HI-Z             | PD        | 9               | O                                    | none                   | none                  |
| RX_D2                     | HI-Z             | PD        | 9               | O                                    | none                   | none                  |
| RX_D1                     | HI-Z             | PD        | 9               | O                                    | none                   | none                  |
| RX_D0                     | HI-Z             | PD        | 9               | O                                    | none                   | none                  |
| RX_CLK                    | O                | none      | none            | O                                    | none                   | none                  |
| TX_CLK                    | I                | PD        | 9               | O <sub>I</sub> <sup>(2)</sup>        | none PD <sup>(2)</sup> | none g <sup>(2)</sup> |
| TX_EN                     | I                | PD        | 9               | I                                    | PD                     | 9                     |
| TX_D3                     | I                | PD        | 9               | I                                    | PD                     | 9                     |
| TX_D2                     | I                | PD        | 9               | I                                    | PD                     | 9                     |
| TX_D1                     | I                | PD        | 9               | I                                    | PD                     | 9                     |
| TX_D0                     | I                | PD        | 9               | I                                    | PD                     | 9                     |
| TX_ER                     | I                | PD        | 9               | I                                    | PD                     | 9                     |
| LED_0                     | HI-Z             | PD        | 9               | O                                    | none                   | none                  |
| MDIO                      | I                | none      | none            | I                                    | none                   | none                  |

- (1) Type: I = Input  
O = Output  
IO = Input/Output  
OD = Open Drain  
PD = Internal pulldown  
PU = Internal pullup

- (2) Pin operation only for RGMII operation.

## 6.1 Pin Multiplexing

GPIOs are controlled using *IO\_CTRL1 Register 0x0462 – GPIO Control Register #1* and *IO\_CTRL2 Register 0x0463 – GPIO Control Register #2*.

**LED:** Pin configured as LED indication. *LED\_CFG1 Register 0x0460 – LED Configuration Register #1* determines LED function.

**CLKOUT:** Pin configured as a clock output signal

**WoL:** Pin configured to output WoL interrupt

**UV:** Pin configured to output undervoltage interrupt

**1588\_TX:** Pin configured to output transmit 1588 SFD indication

**1588\_RX:** Pin configured to output receive 1588 SFD indication

**0s:** Pin configured LOW (ground)

**1s:** Pin configured HIGH (VDDIO)

**RMII\_REF:** Pin configured to output RMII 50-MHz reference clock

**Table 2. Pin Multiplexing**

| FIELD              | PIN | 0b000 | 0b001    | 0b010 | 0b011 | 0b100    | 0b101    | 0b110 | 0b111 | STRAP    |
|--------------------|-----|-------|----------|-------|-------|----------|----------|-------|-------|----------|
| LED_0 /<br>GPIO_0  | 35  | LED_0 | CLKOUT_0 | WoL   | UV    | Reserved | Reserved | 0s    | 1s    |          |
| LED_1 /<br>GPIO_1  | 6   | LED_1 | CLKOUT_1 |       |       |          |          |       |       |          |
| CLKOUT /<br>GPIO_2 | 16  | LED_2 | CLKOUT_2 |       |       |          |          |       |       |          |
| RX_D3              | 23  | RX_D3 |          |       |       |          |          |       |       | RMII_REF |



## 7 Specifications

### 7.1 Absolute Maximum Ratings

over operating free-air temperature range (unless otherwise noted)<sup>(1)</sup>

|                   |                      | MIN  | MAX | UNIT |
|-------------------|----------------------|------|-----|------|
| Input voltage     | VDDA                 | -0.3 | 4.0 | V    |
|                   | VDDIO                | -0.3 | 4.0 |      |
|                   | Other pins           | -0.3 | 4.0 |      |
| DC output voltage | All Pins             | -0.3 | 4.0 | V    |
| T <sub>J</sub>    | Junction temperature |      | 150 | °C   |
| T <sub>stg</sub>  | Storage temperature  | -65  | 150 | °C   |

(1) Stresses beyond those listed under *Absolute Maximum Rating* may cause permanent damage to the device. These are stress ratings only, which do not imply functional operation of the device at these or any other conditions beyond those indicated under *Recommended Operating Condition*. Exposure to absolute-maximum-rated conditions for extended periods may affect device reliability.

### 7.2 ESD Ratings

|                    |                         |   |                        | VALUE | UNIT |
|--------------------|-------------------------|---|------------------------|-------|------|
| V <sub>(ESD)</sub> | Electrostatic discharge | Human body model (HBM), per AEC Q100-002 <sup>(1)</sup> | All pins               | ±4000 | V    |
|                    |                         | Charged device model (CDM), per AEC Q100-011            | All pins except XI pin | ±750  |      |
|                    |                         |   | XI pin <sup>(2)</sup>  | ±250  |      |
|                    |                         | IEC 61000-4-2 contact discharge                         | TRD_N, TRD_P pins      | ±8000 |      |

(1) AEC Q100-002 indicates that HBM stressing shall be in accordance with the ANSI/ESDA/JEDEC JS-001 specification.

(2) XI pin is a fail-safe input.

### 7.3 Recommended Operating Conditions

over operating free-air temperature range (unless otherwise noted)

|                   |                                   | MIN  | NOM | MAX  | UNIT |
|-------------------|-----------------------------------|------|-----|------|------|
| V <sub>DDIO</sub> | IO Supply Voltage, 1.8V operation | 1.62 | 1.8 | 1.98 | V    |
|                   | IO Supply Voltage, 2.5V operation | 2.25 | 2.5 | 2.75 |      |
|                   | IO Supply Voltage, 3.3V operation | 2.97 | 3.3 | 3.63 |      |
| V <sub>DDA</sub>  | Core Supply Voltage               | 2.97 | 3.3 | 3.63 | V    |
| T <sub>A</sub>    | Operating Free Air Temperature    | -40  |     | 125  | °C   |

### 7.4 Thermal Information

| THERMAL METRIC <sup>(1)</sup> |  | DP83TC811R-Q1 |  | UNIT |
|-------------------------------|--|---------------|--|------|
|                               |  | VQFN          |  |      |
|                               |  | 36 PINS       |  |      |
| R <sub>θJA</sub>              | Junction-to-ambient thermal resistance       | 31.5          |  | °C/W |
| R <sub>θJC(top)</sub>         | Junction-to-case (top) thermal resistance    | 19.3          |  | °C/W |
| R <sub>θJB</sub>              | Junction-to-board thermal resistance         | 12.5          |  | °C/W |
| Ψ <sub>JT</sub>               | Junction-to-top characterization parameter   | 0.3           |  | °C/W |
| Y <sub>JB</sub>               | Junction-to-board characterization parameter | 12.5          |  | °C/W |
| R <sub>θJC(bot)</sub>         | Junction-to-case (bottom) thermal resistance | 1.5           |  | °C/W |

(1) For more information about traditional and new thermal metrics, see the [Semiconductor and IC Package Thermal Metrics](#) application report.

## 7.5 Electrical Characteristics

over operating free-air temperature range (unless otherwise noted)

| PARAMETER                          |   | TEST CONDITIONS   | MIN             | TYP | MAX             | UNIT |
|------------------------------------|---|---|-----------------|-----|-----------------|------|
| <b>XI pin, WAKE pin and EN pin</b> |   |   |                 |     |                 |      |
| V <sub>IH</sub>                    | High Level Input Voltage                              |   | 1.3             |     |                 | V    |
| V <sub>IL</sub>                    | High Level Input Voltage                              |   |                 |     | 0.5             | V    |
| <b>3.3V VDDIO<sup>(1)</sup></b>    |   |   |                 |     |                 |      |
| V <sub>OH</sub>                    | High Level Output Voltage                             | IOH = -2mA VDDIO = 3.3 V +/- 10%                                  | 2.4             |     |                 | V    |
| V <sub>OL</sub>                    | Low Level Output Voltage                              | IOL = 2mA VDDIO = 3.3 V +/- 10%                                   |                 |     | 0.4             | V    |
| V <sub>IH</sub>                    | High Level Input Voltage                              | VDDIO = 3.3 V +/- 10%   | 2               |     |                 | V    |
| V <sub>IL</sub>                    | Low Level Input Voltage                               | VDDIO = 3.3 V +/- 10%   |                 |     | 0.8             | V    |
| <b>2.5V VDDIO<sup>(1)</sup></b>    |   |   |                 |     |                 |      |
| V <sub>OH</sub>                    | High Level Output Voltage                             | IOH = -2mA VDDIO = 2.5 V +/- 10%                                  | 2               |     |                 | V    |
| V <sub>OL</sub>                    | Low Level Output Voltage                              | IOL = 2mA VDDIO = 2.5 V +/- 10%                                   |                 |     | 0.4             | V    |
| V <sub>IH</sub>                    | High Level Input Voltage                              | VDDIO = 2.5 V +/- 10%   | 1.7             |     |                 | V    |
| V <sub>IL</sub>                    | Low Level Input Voltage                               | VDDIO = 2.5 V +/- 10%   |                 |     | 0.7             | V    |
| <b>1.8V VDDIO<sup>(1)</sup></b>    |   |   |                 |     |                 |      |
| V <sub>OH</sub>                    | High Level Output Voltage                             | IOH = -2mA VDDIO = 1.8 V +/- 10%                                  | VDDIO<br>-0.45  |     |                 | V    |
| V <sub>OL</sub>                    | Low Level Output Voltage                              | IOL = 2mA VDDIO = 1.8 V +/- 10%                                   |                 |     | 0.45            | V    |
| V <sub>IH</sub>                    | High Level Input Voltage                              | VDDIO = 1.8 V +/- 10%   | 0.65 *<br>VDDIO |     |                 | V    |
| V <sub>IL</sub>                    | Low Level Input Voltage                               | VDDIO = 1.8 V +/- 10%   |                 |     | 0.35 *<br>VDDIO | V    |
| <b>DC CHARACTERISTICS</b>          |   |   |                 |     |                 |      |
| I <sub>IH</sub>                    | Input High Current                                    | VIN = VDDIO   | -30             |     | 30              | μA   |
| I <sub>IL</sub>                    | Input Low Current                                     | VIN = GND   | -30             |     | 30              | μA   |
| I <sub>OZ</sub>                    | TRI-STATE Output Current <sup>(2)</sup>               | VOUT = VDDIO, VOUT = GND  | -75             |     | 75              | μA   |
| C <sub>IN</sub>                    | Input Capacitance                                     | Input pins  |                 | 5   |                 | pF   |
|                                    |   | XI  |                 | 1   |                 | pF   |
| C <sub>OUT</sub>                   | Output Capacitance                                    | Output pins   |                 | 5   |                 | pF   |
|                                    |   | XO  |                 | 1   |                 | pF   |
| R <sub>pull-up</sub>               | Integrated Pull-Up Resistance                         | RESET, INT, TCK, TMS and TDI                                      | 6.5             | 9   | 12.5            | kΩ   |
| R <sub>pull-down</sub>             | Integrated Pull-Down Resistance                       | RX_D[3:0], RX_ER, RX_DV, TX_EN, TX_D[3:0], TX_ER, LED_0 and LED_1 | 6.75            | 9   | 11.25           | kΩ   |
|                                    |   | WAKE and EN   |                 | 500 |                 | kΩ   |
| R <sub>series</sub>                | Integrated MAC Series Termination Resistor            | RX_D[3:0], RX_ER, RX_DV and RX_CLK                                |                 | 50  |                 | Ω    |
| <b>CURRENT CONSUMPTION</b>         |   |   |                 |     |                 |      |
| I <sub>DDIO-1V8-ACT</sub>          | IO Supply Current, 1.8V operation, Active/Normal Mode | MII   |                 | 18  | 22              | mA   |
|                                    |   | RMII  |                 | 6   | 12              |      |
|                                    |   | RGMII   |                 | 10  | 13              |      |
| I <sub>DDIO-1V8-STBY</sub>         | IO Supply Current, 1.8V operation, Standby            | MII   |                 | 13  | 17              | mA   |
|                                    |   | RMII  |                 | 3   | 10              |      |
|                                    |   | RGMII   |                 | 8   | 10              |      |
| I <sub>DDIO-1V8-RST</sub>          | IO Supply Current, 1.8V operation, Reset              | All Interfaces  |                 | 6   | 10              | mA   |
| I <sub>DDIO-1V8-SLP</sub>          | IO Supply Current, 1.8V operation, Sleep              | All Interfaces  |                 | 8   | 90              | μA   |

(1) For pins: MDC, INT\_N, RESET\_N, XO, LED\_1, RX\_ER, RX\_DV, CLKOUT, TCK, TDO, TMS, TDI, RX\_D[3:0], RX\_CLK, TX\_CLK, TX\_EN, TX\_D[3:0], TX\_ER, LED\_0, and MDIO

(2) For pins: RX\_D[3:0], RX\_CLK, RX\_ER, RX\_DV, TX\_CLK, MDIO, INT\_N, XO, and TDO

## Electrical Characteristics (continued)

over operating free-air temperature range (unless otherwise noted)

| PARAMETER                  |   | TEST CONDITIONS    | MIN | TYP | MAX | UNIT |
|----------------------------|---|--------------------|-----|-----|-----|------|
| I <sub>DDIO-1V8-DIS</sub>  | IO Supply Current, 1.8V operation, Disable            | All Interfaces     |     | 8   | 85  | μA   |
|                            |   | MII                |     | 24  | 28  | mA   |
| I <sub>DDIO-2V5-ACT</sub>  | IO Supply Current, 2.5V operation, Active/Normal Mode | RMII               |     | 14  | 24  |      |
|                            |   | RGMII              |     | 12  | 17  |      |
|                            |   | MII                |     | 18  | 22  | mA   |
| I <sub>DDIO-2V5-STBY</sub> | IO Supply Current, 2.5V operation, Standby            | RMII               |     | 11  | 21  |      |
|                            |   | RGMII              |     | 10  | 13  |      |
|                            |   | All Interfaces     |     | 8   | 18  | mA   |
| I <sub>DDIO-2V5-RST</sub>  | IO Supply Current, 2.5V operation, Reset              | All Interfaces     |     | 11  | 95  | μA   |
| I <sub>DDIO-2V5-SLP</sub>  | IO Supply Current, 2.5V operation, Sleep              | All Interfaces     |     | 11  | 93  | μA   |
| I <sub>DDIO-3V3-ACT</sub>  | IO Supply Current, 3.3V operation, Active/Normal Mode | All Interfaces     |     | 31  | 37  | mA   |
|                            |   | RMII               |     | 22  | 36  |      |
|                            |   | RGMII              |     | 16  | 21  |      |
| I <sub>DDIO-3V3-STBY</sub> | IO Supply Current, 3.3V operation, Standby            | MII                |     | 24  | 29  | mA   |
|                            |   | RMII               |     | 19  | 33  |      |
|                            |   | RGMII              |     | 13  | 17  |      |
| I <sub>DDIO-3V3-RST</sub>  | IO Supply Current, 3.3V operation, Reset              | All Interfaces     |     | 15  | 30  | mA   |
| I <sub>DDIO-3V3-SLP</sub>  | IO Supply Current, 3.3V operation, Sleep              | All Interfaces     |     | 14  | 100 | μA   |
| I <sub>DDIO-3V3-DIS</sub>  | IO Supply Current, 3.3V operation, Disable            | All Interfaces     |     | 14  | 100 | μA   |
| I <sub>DDA-ACT</sub>       | Core Supply Current; MII, RMII, RGMII                 | Active/Normal Mode |     | 65  | 110 | mA   |
| I <sub>DDA-STBY</sub>      |   | Standby            |     | 20  | 55  | mA   |
| I <sub>DDA-RST</sub>       | Core Supply Current; All Interfaces                   | Reset              |     | 13  | 44  | mA   |
| I <sub>DDA-SLP</sub>       |   | Sleep              |     | 51  | 186 | μA   |
| I <sub>DDA-DIS</sub>       |   | Disable            |     | 51  | 185 | μA   |

### MDI CHARACTERISTICS

|                       |   |                 |  |     |     |   |
|-----------------------|---|-----------------|--|-----|-----|---|
| V <sub>OD-MDI</sub>   | Output Differential Voltage             |                 |  |     | 2.2 | V |
| R <sub>mdi_diff</sub> | Integrated Differential MDI Termination | TRD_P and TRD_M |  | 100 |     | Ω |

### BOOTSTRAP DC CHARACTERISTICS

|                   |                     |        |               |               |               |   |
|-------------------|---------------------|--------|---------------|---------------|---------------|---|
| V <sub>bs_1</sub> | Bootstrap Threshold | Mode 1 | 0             | 0             | 0.08 x VDDIO  | V |
| V <sub>bs_2</sub> |                     | Mode 2 | 0.148 x VDDIO | 0.165 x VDDIO | 0.181 x VDDIO | V |
| V <sub>bs_3</sub> |                     | Mode 3 | 0.235 x VDDIO | 0.252 x VDDIO | 0.277 x VDDIO | V |
| V <sub>bs_4</sub> |                     | Mode 4 | 0.694 x VDDIO | VDDIO         | VDDIO         | V |

## 7.6 Timing Requirements

|                   |   | MIN | NOM | MAX | UNIT |
|-------------------|---|-----|-----|-----|------|
| <b>MII TIMING</b> |   |     |     |     |      |
| T1.1              | TX_CLK High / Low Time                  | 16  | 20  | 24  | ns   |
| T1.2              | TX_D[3:0], TX_ER, TX_EN Setup to TX_CLK | 10  |     |     | ns   |

**Timing Requirements (continued)**

|   |  | MIN   | NOM | MAX  | UNIT |
|---|--|-------|-----|------|------|
| T1.3                                    | TX_D[3:0], TX_ER, TX_EN Hold from TX_CLK   | 0     |     |      | ns   |
| T2.1                                    | RX_CLK High / Low Time   | 16    | 20  | 24   | ns   |
| T2.2                                    | RX_D[3:0], RX_ER, RX_DV Delay from RX_CLK rising                                   | 14    | 20  | 26   | ns   |
| <b>RMII SLAVE TIMING</b>                |  |       |     |      |      |
| T3.1                                    | Reference Clock Period   |       | 20  |      | ns   |
|   | Reference Clock Duty Cycle   | 35    | 50  | 65   | %    |
| T3.2                                    | TX_D[1:0], TX_ER, TX_EN Setup to XI Clock  | 4     |     |      | ns   |
| T3.3                                    | TX_D[1:0], TX_ER, TX_EN Hold from XI Clock   | 2     |     |      | ns   |
| T3.4                                    | RX_D[1:0], RX_ER Delay from XI Clock rising <sup>(1)</sup>                         | 3     | 6   | 12   | ns   |
| <b>RMII MASTER TIMING<sup>(2)</sup></b> |  |       |     |      |      |
| T3.1                                    | RMII Master Clock Period   |       | 20  |      | ns   |
|   | RMII Master Clock Duty Cycle   | 35    | 50  | 65   | %    |
| T3.2                                    | TX_D[1:0], TX_ER, TX_EN Setup to RMII Master Clock                                 | 4     |     |      | ns   |
| T3.3                                    | TX_D[1:0], TX_ER, TX_EN Hold from RMII Master Clock                                | 2     |     |      | ns   |
| T3.4                                    | RX_D[1:0], RX_ER Delay from RMII Master Clock rising <sup>(1)</sup>                | 4     | 6   | 12   | ns   |
| <b>RGMII TIMING</b>                     |  |       |     |      |      |
| T <sub>skew (Align)</sub>               | RX_D[3:0], RX_CTRL Delay from RX_CLK (Align Mode Enabled)                          | -600  | 0   | 600  | ps   |
| T <sub>skew (Shift)</sub>               | RX_D[3:0], RX_CTRL Delay from RX_CLK (Shift Mode Enabled)                          | 1.2   | 2   |      | ns   |
| T <sub>setup (Align)</sub>              | TX_D[3:0], TX_CTRL Setup to TX_CLK (Align Mode Enabled)                            | 1     |     |      | ns   |
| T <sub>setup (Shift)</sub>              | TX_D[3:0], TX_CTRL Setup to TX_CLK (Shift Mode Enabled)                            | -1    |     |      | ns   |
| T <sub>hold (Align)</sub>               | TX_D[3:0], TX_CTRL Hold from TX_CLK (Align Mode Enabled)                           | 1     |     |      | ns   |
| T <sub>hold (Shift)</sub>               | TX_D[3:0], TX_CTRL Hold from TX_CLK (Shift Mode Enabled)                           | 3     |     |      | ns   |
| T <sub>cyc</sub>                        | Clock Cycle Duration   | 36    | 40  | 44   | ns   |
|   | Duty Cycle   | 40    | 50  | 60   | %    |
| Tr/Tf                                   | Rise / Fall Time (20% - 80%) <sup>(3)</sup>  |       | 750 | 1200 | ps   |
| <b>SMI TIMING</b>                       |  |       |     |      |      |
| T4.1                                    | MDC to MDIO (Output) Delay Time  | 0     | 6   | 12.5 | ns   |
| T4.2                                    | MDIO (Input) to MDC Setup Time   | 10    |     |      | ns   |
| T4.3                                    | MDIO (Input) to MDC Hold Time  | 10    |     |      | ns   |
|   | MDC Frequency  |       | 2.5 | 25   | MHz  |
| <b>POWER-UP TIMING</b>                  |  |       |     |      |      |
| T5.1                                    | VDDA ramp rate   | 0.165 |     | 33   | V/ms |
| T5.1                                    | VDDIO ramp rate  | 0.165 |     | 33   | V/ms |
| T5.2                                    | VDDA and VDDIO ramp delay offset   | -50   |     | 50   | ms   |
| T5.3                                    | Crystal stabilization time post power-up   |       | 350 |      | μs   |
| T5.4                                    | Oscillator stabilization time post power-up  |       |     | 40   | ms   |
| T5.5                                    | Post power-up stabilization-time prior to MDC preamble for register access         |       |     | 60   | ms   |
| T5.6                                    | Hardware configuration latch-in time from power-up                                 |       |     | 60   | ms   |
| T5.7                                    | Hardware configuration pins transition to functional mode from latch-in completion |       |     | 200  | ns   |
| T5.8                                    | PAM3 IDLE Stream from power-up (Master Mode)                                       |       |     | 60   | ms   |
| <b>RESET TIMING (RESET_N)</b>           |  |       |     |      |      |
| T6.1                                    | RESET pulse width  | 1     |     |      | μs   |
| T6.2                                    | Post reset stabilization-time prior to MDC preamble for register access            |       |     | 2.5  | μs   |

(1) CRS\_DV is an asynchronous signal as defined by the RMII version 1.2 specification.

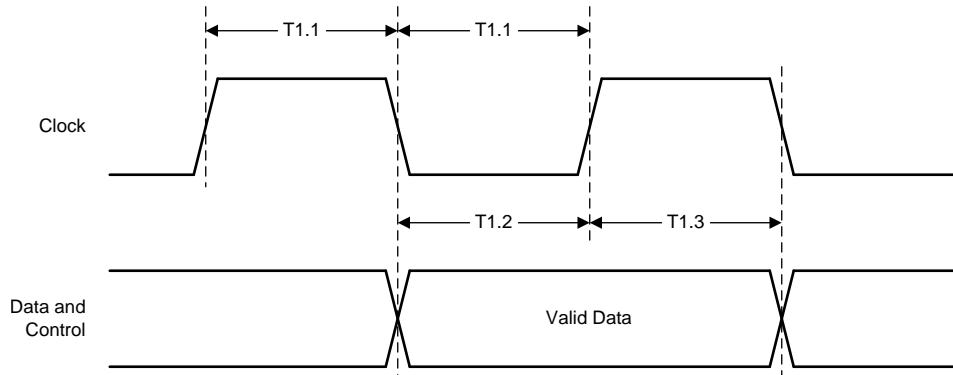
(2) RMII Master Clock is in reference to the 50-MHz clock output on RX\_D3 when the device is configured for RMII Master mode through hardware bootstrap.

(3) RGMII rise/fall time control register configurable

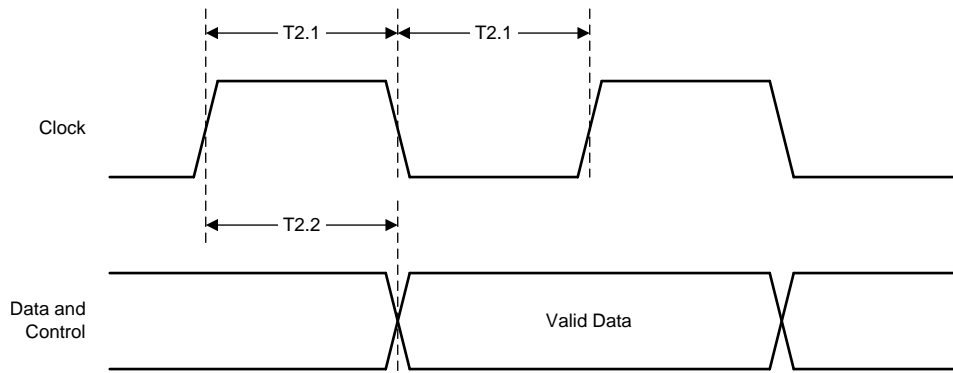
**Timing Requirements (continued)**

|                                       |   | MIN  | NOM | MAX | UNIT |
|---------------------------------------|---|------|-----|-----|------|
| T6.3                                  | Hardware configuration latch-in time from reset                                       |      |     | 700 | ns   |
| T6.4                                  | Hardware configuration pins transition to functional mode from latch-in completion    |      |     | 200 | ns   |
| T6.5                                  | PAM3 IDLE Stream from reset (Master Mode)   |      |     | 300 | µs   |
| <b>TRANSMIT LATENCY TIMING</b>        |   |      |     |     |      |
| T7.1                                  | MII Rising edge TX_CLK with assertion TX_EN to SSD symbol on MDI                      | 140  |     | 172 | ns   |
|                                       | Slave RMII Rising edge XI clock with assertion TX_EN to SSD symbol on MDI             | 304  |     | 372 | ns   |
|                                       | Master RMII Rising edge clock with assertion TX_EN to SSD symbol on MDI               | 322  |     | 382 | ns   |
|                                       | RGMII Rising edge TX_CLK with assertion TX_CTRL to SSD symbol on MDI                  | 134  |     |     | ns   |
|                                       | Bit sequence 0b1101101000 to SSD symbol on MDI  | 401  |     | 440 | ns   |
| <b>RECEIVE LATENCY TIMING</b>         |   |      |     |     |      |
| T8.1                                  | SSD symbol on MDI to MII Rising edge of RX_CLK with assertion of RX_DV                | 366  |     | 406 | ns   |
|                                       | SSD symbol on MDI to Slave RMII Rising edge of XI clock with assertion of CRS_DV      | 434  |     | 513 | ns   |
|                                       | SSD symbol on MDI to Master RMII Rising edge of Master clock with assertion of CRS_DV | 438  |     | 525 | ns   |
|                                       | SSD symbol on MDI to Rising edge of RGMII RX_CLK with assertion of RX_CTRL            | 385  |     | 417 | ns   |
|                                       | SSD symbol on MDI to SFD (/S/) comprising bit sequence 0b1101101000                   | 582  |     | 643 | ns   |
| <b>25 MHz OSCILLATOR REQUIREMENTS</b> |   |      |     |     |      |
|                                       | Frequency   |      | 25  |     | MHz  |
|                                       | Frequency Tolerance and Stability Over temperature and aging                          | -100 |     | 100 | ppm  |
|                                       | Rise / Fall Time (10% - 90%)  |      |     | 8   | ns   |
|                                       | Jitter (Short-term, Cycle-to-Cycle)   |      |     | 150 | ps   |
|                                       | Jitter (Long-term, Accumulative over 10 ms)   |      |     | 2   | ns   |
|                                       | Duty Cycle  | 40   |     | 60  | %    |
| <b>50 MHz OSCILLATOR REQUIREMENTS</b> |   |      |     |     |      |
|                                       | Frequency   |      | 50  |     | MHz  |
|                                       | Frequency Tolerance and Stability Over temperature and aging                          | -100 |     | 100 | ppm  |
|                                       | Rise / Fall Time (10% - 90%)  |      |     | 4   | ns   |
|                                       | Jitter (Short-term, Cycle-to-Cycle)   |      |     | 155 | ps   |
|                                       | Jitter (Long-term, Accumulative over 10 ms)   |      |     | 2.5 | ns   |
|                                       | Duty Cycle  | 40   |     | 60  | %    |
| <b>25 MHz CRYSTAL REQUIREMENTS</b>    |   |      |     |     |      |
|                                       | Frequency   |      | 25  |     | MHz  |
|                                       | Frequency Tolerance and Stability Over temperature and aging                          | -100 |     | 100 | ppm  |
|                                       | Equivalent Series Resistance  |      |     | 50  | Ω    |
| <b>OUTPUT CLOCK TIMING (CLKOUT)</b>   |   |      |     |     |      |
|                                       | Frequency   |      | 25  |     | MHz  |
|                                       | Duty Cycle  | 45   |     | 55  | %    |
|                                       | Rise / Fall Time (20% - 80%)  |      |     | 1   | ns   |
|                                       | Jitter (Short-term, Cycle-to-Cycle)   |      |     | 200 | ps   |
|                                       | Jitter (Long-term, Accumulative over 10 ms)   |      |     | 125 | ps   |

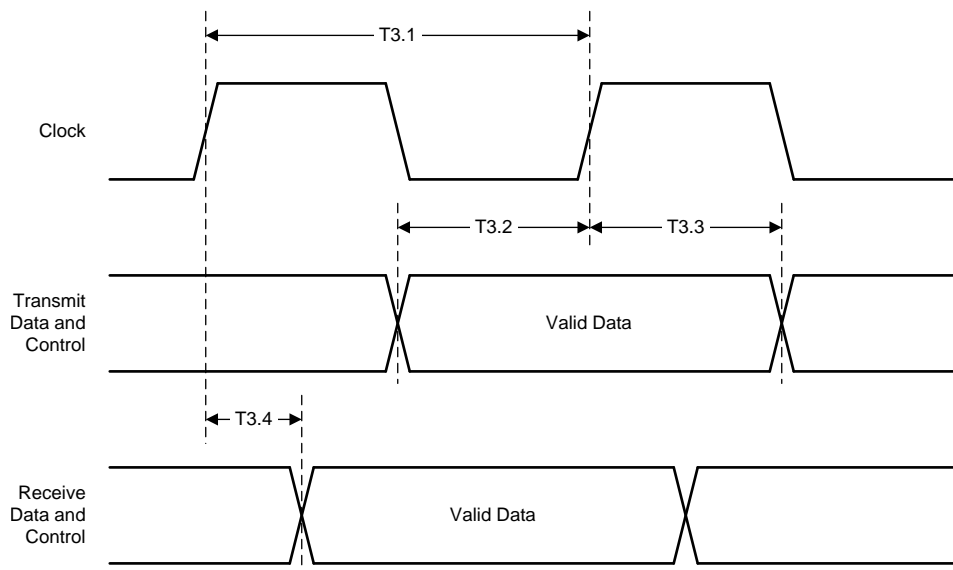
## 7.7 Timing Diagrams



**图 1. MII Transmit Timing**



**图 2. MII Receive Timing**



**图 3. RMII Transmit and Receive Timing**

Timing Diagrams (continued)

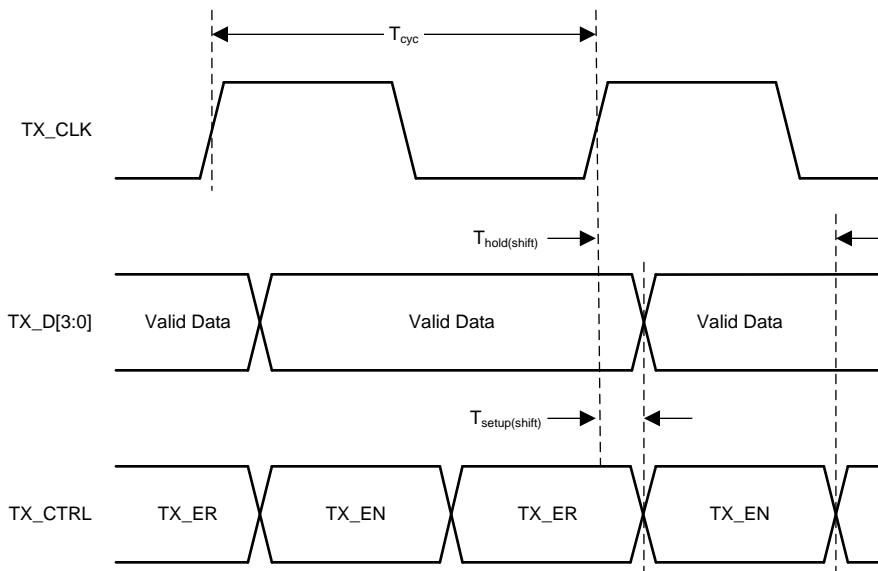


图 4. RGMII Transmit Timing (Internal Delay Enabled)

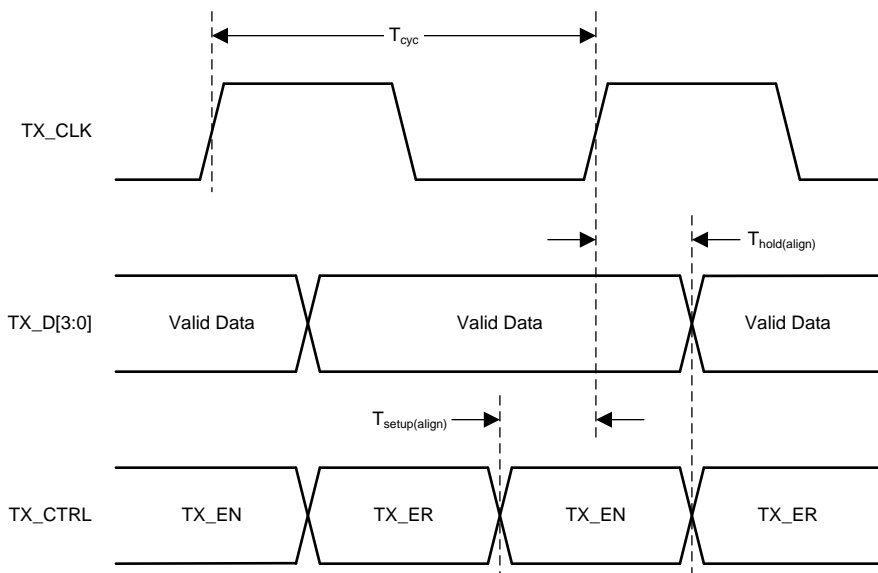
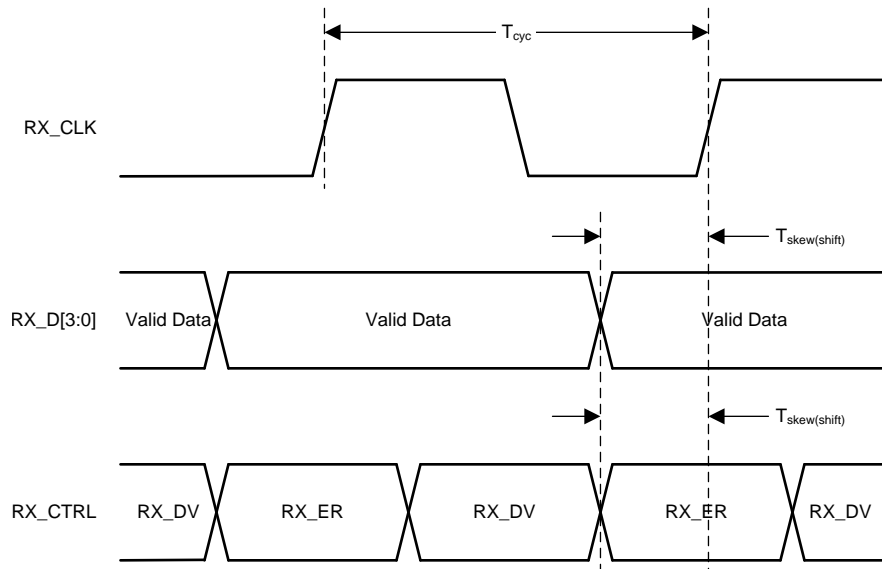
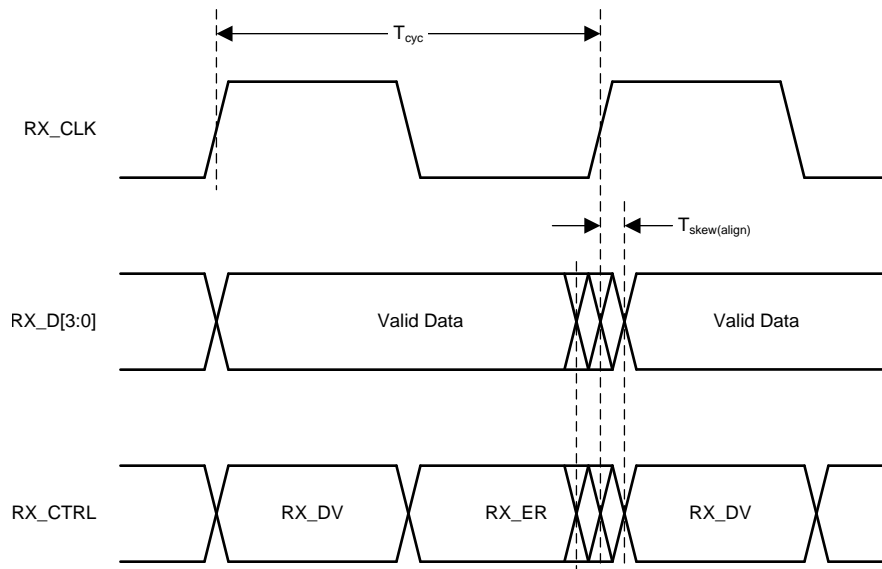


图 5. RGMII Transmit Timing (Internal Delay Disabled)

**Timing Diagrams (continued)**



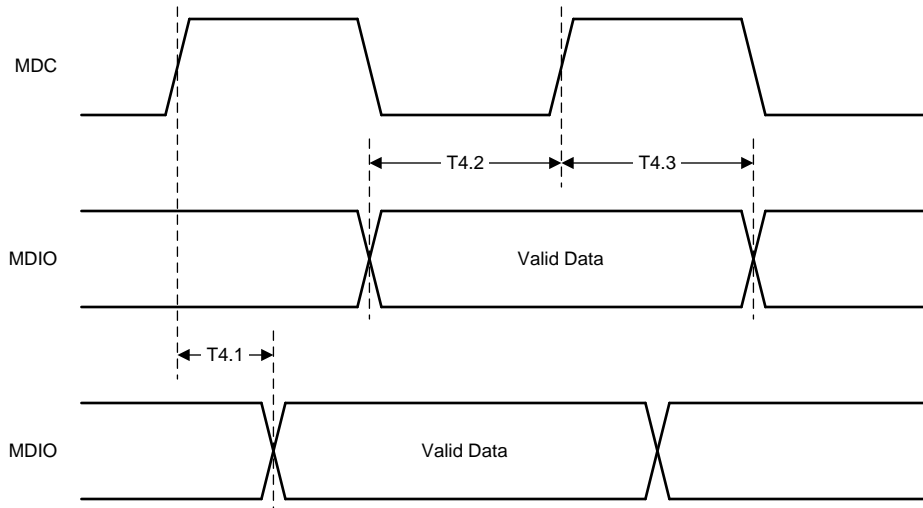
**Figure 6. RGMII Receive Timing (Internal Delay Enabled)**



**Figure 7. RGMII Receive Timing (Internal Delay Disabled)**

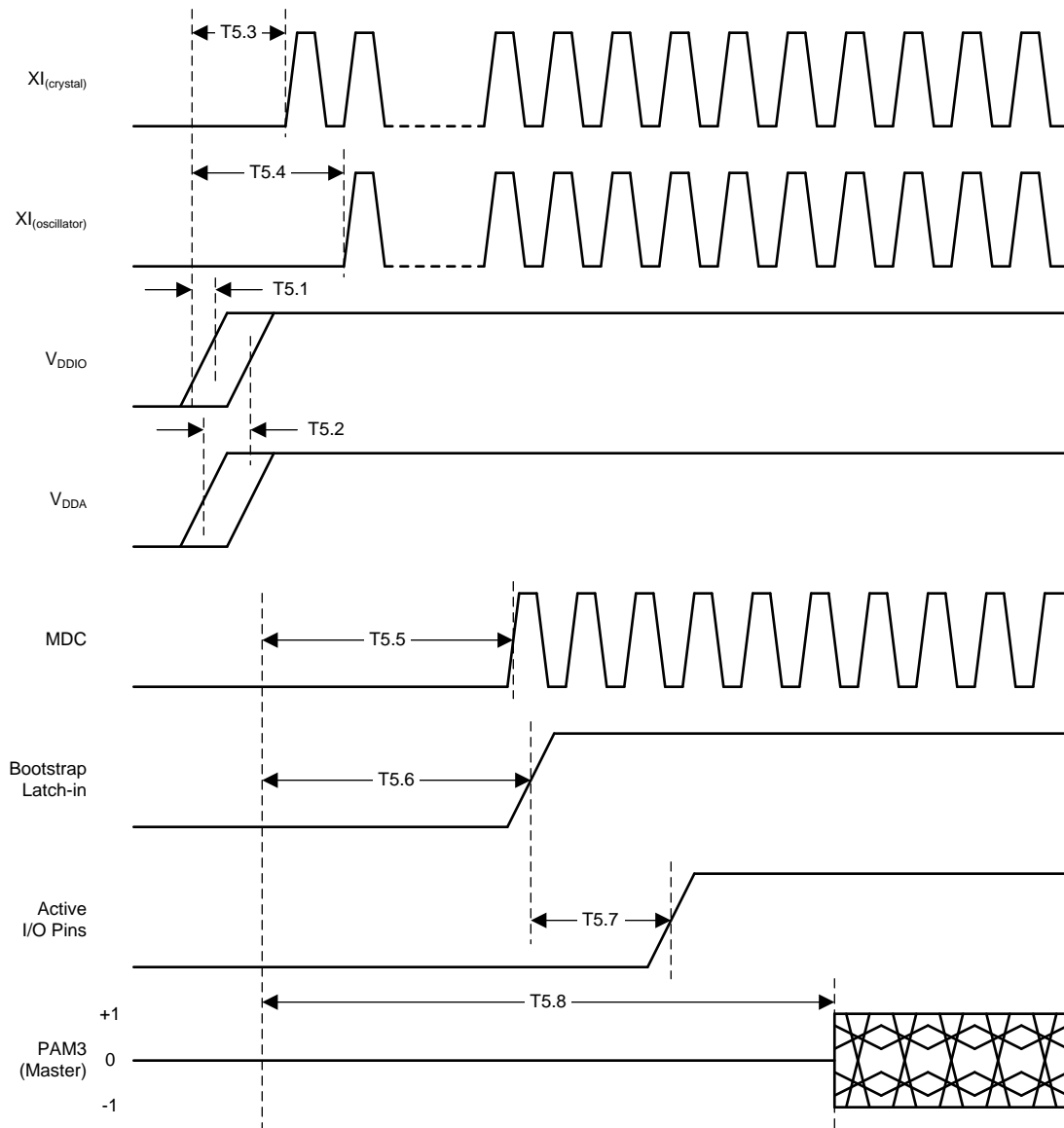


**Timing Diagrams (continued)**



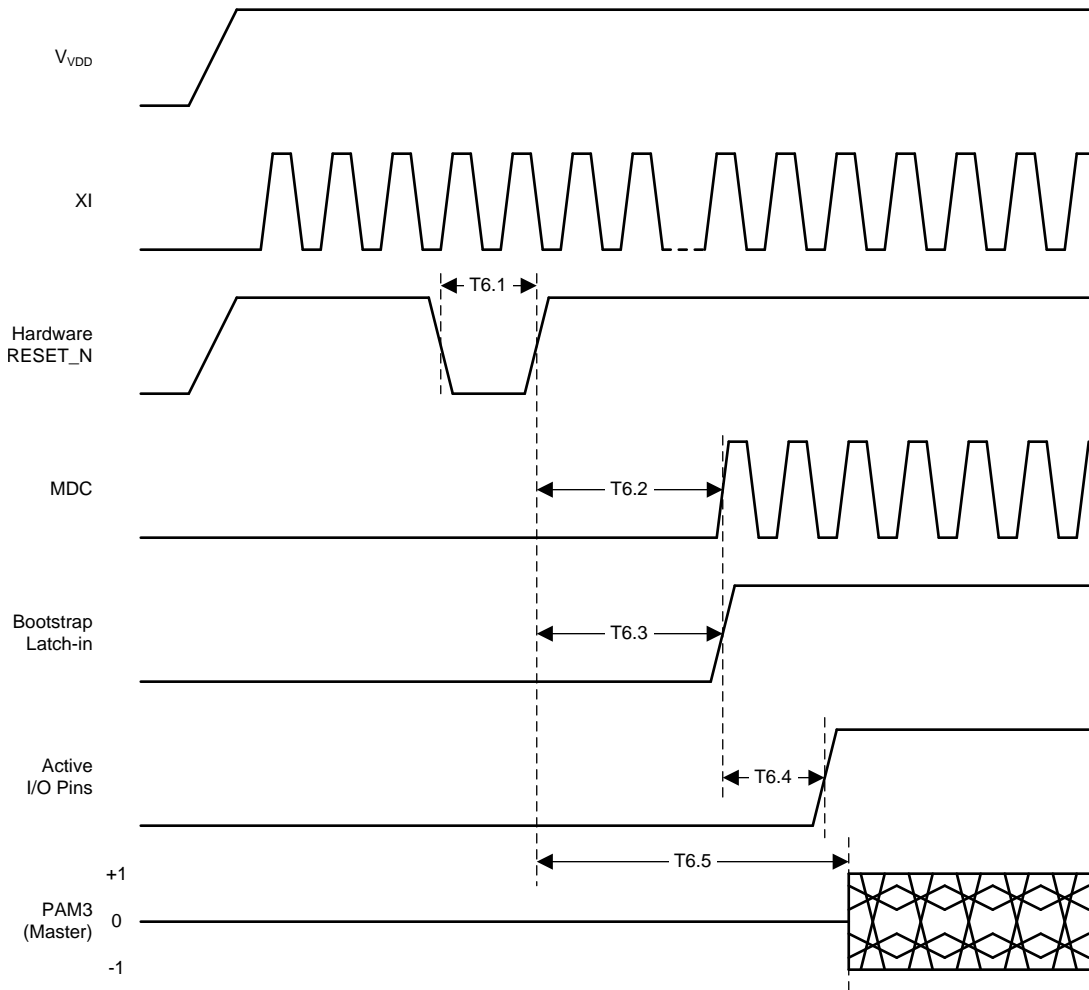
**8. Serial Management Timing**

**Timing Diagrams (continued)**



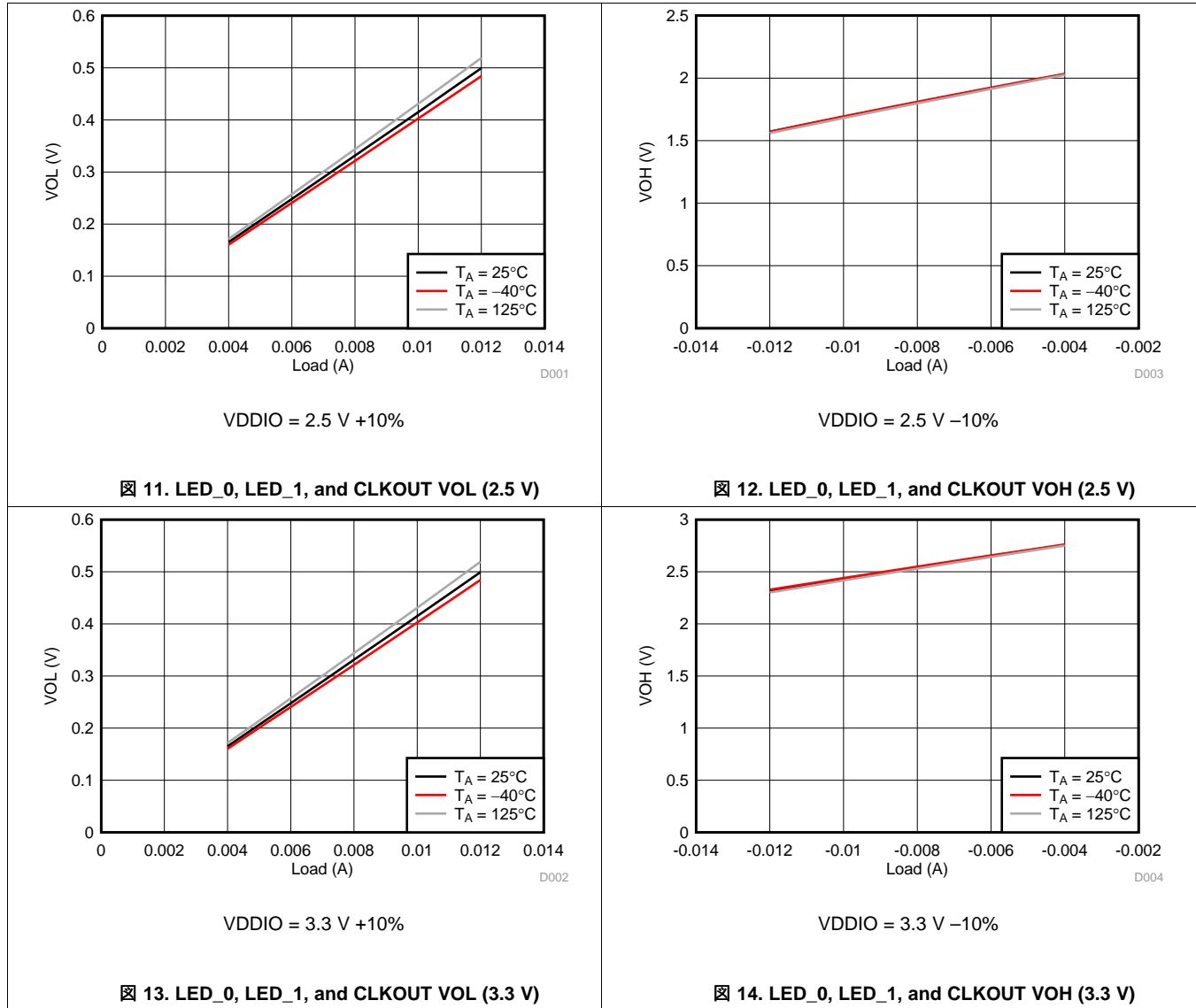
**图 9. Power-Up Timing**

**Timing Diagrams (continued)**



**10. Reset Timing**

### 7.8 Typical Characteristics



## 8 Detailed Description

### 8.1 Overview

The DP83TC811R-Q1 is a 100BASE-T1 automotive Ethernet Physical Layer transceiver. It is IEEE 802.3bw compliant and AEC-Q100 qualified for automotive applications. The DP83TC811R-Q1 is interoperable with both BroadR-Reach PHYs and 100BASE-T1 PHYs.

This device is specifically designed to operate at 100-Mbps speed while meeting CISPR-25 Level 5 limits. The DP83TC811R-Q1 transmits PAM3 ternary symbols at 66.667 MHz over unshielded single twisted-pair cable. It is application flexible; supporting MII, RMII and RGMII in a single 36-pin VQFN wettable flank package.

There is an extensive Diagnostic Tool Kit within the DP83TC811R-Q1 for both in-system use as well as debug, compliance and system prototyping for bring-up. Not only is the DP83TC811R-Q1 designed for IEC61000-4-2 Level 4 electrostatic discharge limits, but also includes an on-chip ESD sensor for detecting ESD events in real-time.

The DP83TC811R-Q1 is built for minimal thermal footprint with low active power as well multiple low-power modes. It supports Wake-on-LAN Magic Packets and Custom Pattern detection, allowing upstream devices an option for entering into their own low-power state. Additionally, the device can enter into Sleep state and remain until energy is detected on the MDI or locally woken through the WAKE pin.

## 8.2 Functional Block Diagram

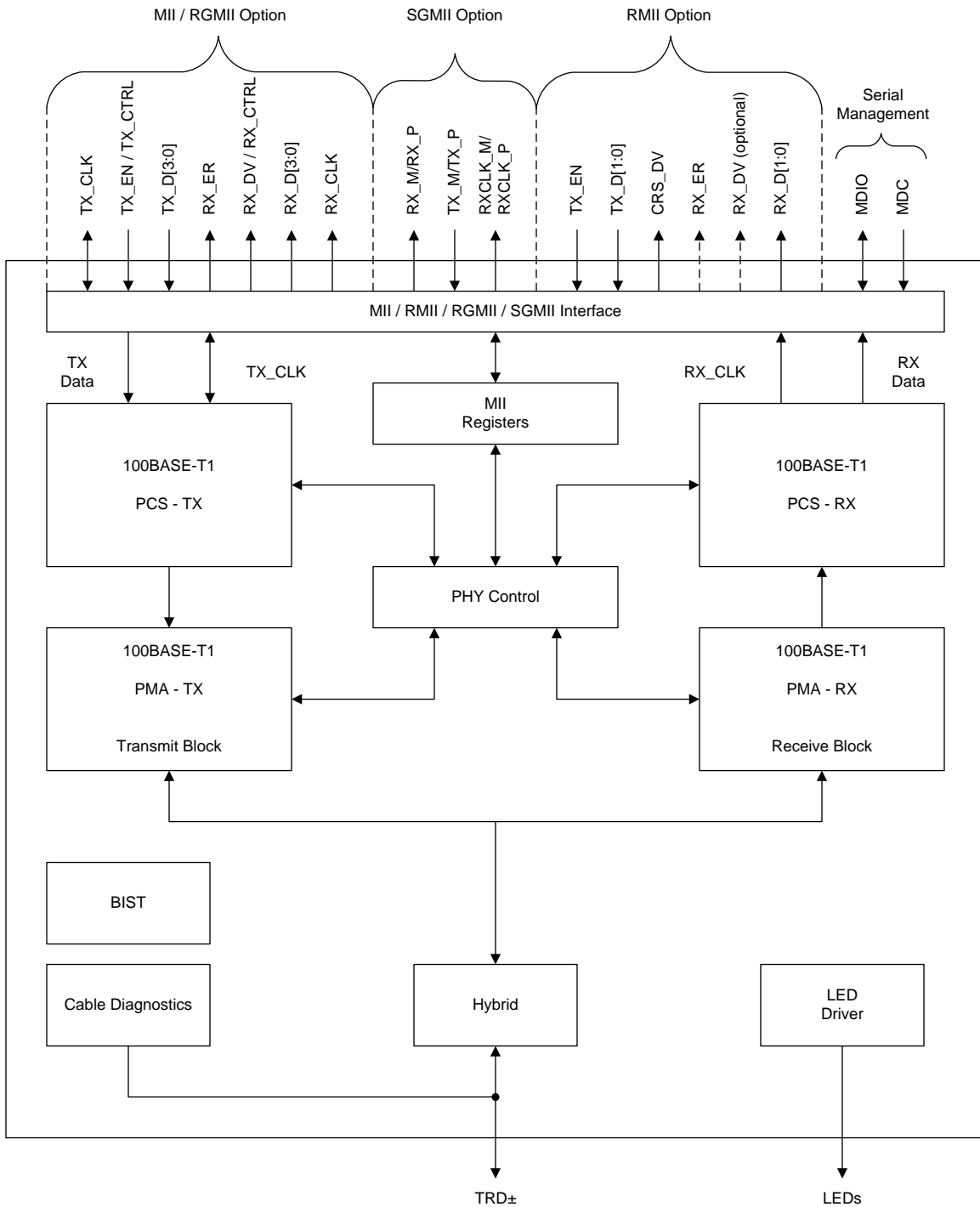


图 15. DP83TC811R-Q1 Functional Block Diagram

### 8.3 Feature Description

#### 8.3.1 Wake-on-LAN (WoL) Packet Detection

Wake-on-LAN provides a mechanism to detect specific frames and notify the connected controller through either register status change, GPIO indication or an interrupt flag. WoL within the DP83TC811R-Q1 allows for connected devices residing above the Physical Layer to remain in a low-power state until frames with the qualifying credentials are detected. Supported WoL frame types include: Magic Packet, Magic Packet with Secure-ON, and Custom Pattern Match. When a qualifying WoL frame is received, the DP83TC811R-Q1 WoL logic circuit is able to generate a user defined event (either pulses or level change) through any of the GPIO pins or a status interrupt flag to inform a connected controller that a wake event has occurred. Additionally, the DP83TC811R-Q1 includes a CRC Gate to prevent invalid packets from triggering a wake-up event.

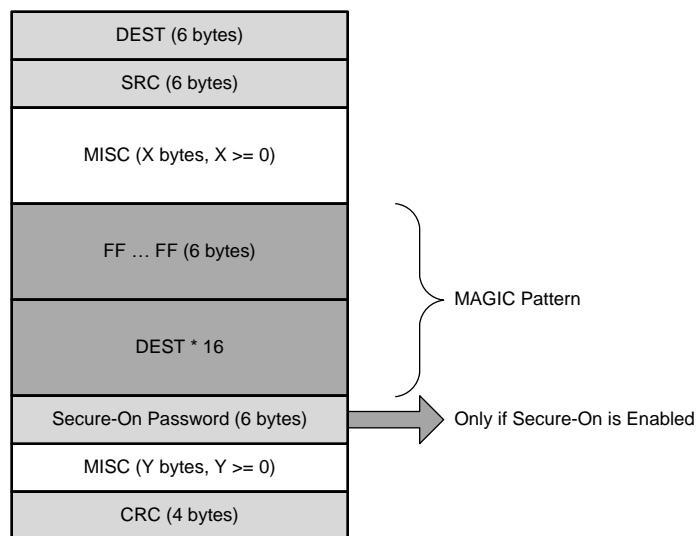
The WoL feature set includes:

- Wake-up interrupt generation upon receiving a valid Magic Packet or Pattern
- CRC checking of Magic Packets to prevent interrupt generation for invalid packets
- Magic Packets with Secure-ON password and 64-byte Custom Pattern Match

##### 8.3.1.1 Magic Packet Structure

When configured for Magic Packet mode, the DP83TC811R-Q1 scans all incoming frames addressed to the node for a specific sequence. This sequence identifies the frame as a Magic Packet frame.

A Magic Packet frame must also meet the basic requirements for the LAN technology chosen, such as SOURCE ADDRESS, DESTINATION ADDRESS (which may be the receiving station's IEEE address or a BROADCAST ADDRESS), and CRC. The specific Magic Packet sequence consists of 16 duplications of the IEEE address of this node, with no breaks or interruptions, followed by Secure-ON password if security is enabled. This sequence can be located anywhere within the packet, but must be preceded by a synchronization stream. The synchronization stream is defined as 6-bytes of FFh.



**16. Magic Packet Structure**

## Feature Description (continued)

### 8.3.1.2 Magic Packet Example

The following is an example Magic Packet for a Destination Address of 11h 22h 33h 44h 55h 66h and a Secure-ON password 2Ah 2Bh 2Ch 2Dh 2Eh 2Fh:

```

DESTINATION SOURCE MISC FF FF FF FF FF FF
11 22 33 44 55 66 11 22 33 44 55 66 11 22 33 44 55 66
11 22 33 44 55 66 11 22 33 44 55 66 11 22 33 44 55 66
11 22 33 44 55 66 11 22 33 44 55 66 11 22 33 44 55 66
11 22 33 44 55 66 11 22 33 44 55 66 11 22 33 44 55 66
11 22 33 44 55 66 11 22 33 44 55 66 11 22 33 44 55 66
11 22 33 44 55 66 2A 2B 2C 2D 2E 2F MISC CRC
    
```

### 8.3.1.3 Wake-on-LAN Configuration and Status

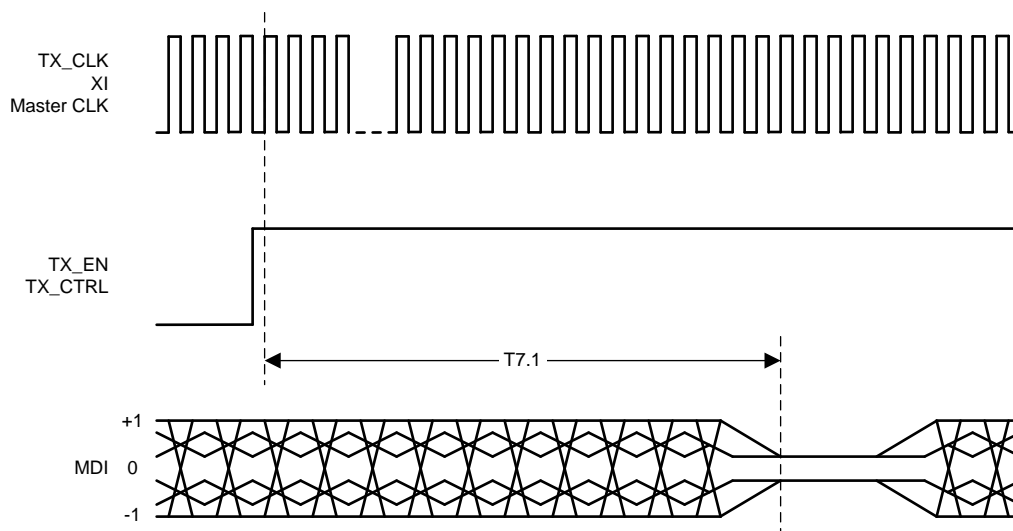
Wake-on-LAN functionality is configured through the [WOL\\_CFG Register 0x04A0 – WoL Configuration Register](#). Wake-on-LAN status is reported in the [WOL\\_STAT Register 0x04A1 – WoL Status Register](#). Wake-on-LAN interrupt flag configuration and status is located in the [INT\\_STAT1 Register 0x0012 – Interrupt Status Register #1](#).

### 8.3.2 Start of Frame Detect for IEEE 1588 Time Stamp

IEEE 802.3bw uses 4B3B encoding (3B4B decoding), reducing a 4-bit data path operating at 25 MHz down to a 3-bit data path operating at 33.334 MHz. For frames and inter-packet gaps that are not divisible by three, one to two stuff bits are added at the end of a transmitted frame. These stuff bits are removed by the link partner before the data is routed to the MAC, making it completely transparent to layers above the Physical layer. These stuff bits cause frame jitter.

The DP83TC811R-Q1 supports an IEEE 1588 indication pulse at the SFD (start of frame delimiter) for receive and transmit paths. The 1588 SFD pulse indicates the actual time the symbol is presented on the lines (for transmit), or the first symbol received (for receive), which provides a deterministic reference point. The pulse can be transmitted out of any of the following pins: LED\_0 (GPIO\_0), LED\_1 (GPIO\_1), or CLKOUT (GPIO\_2).

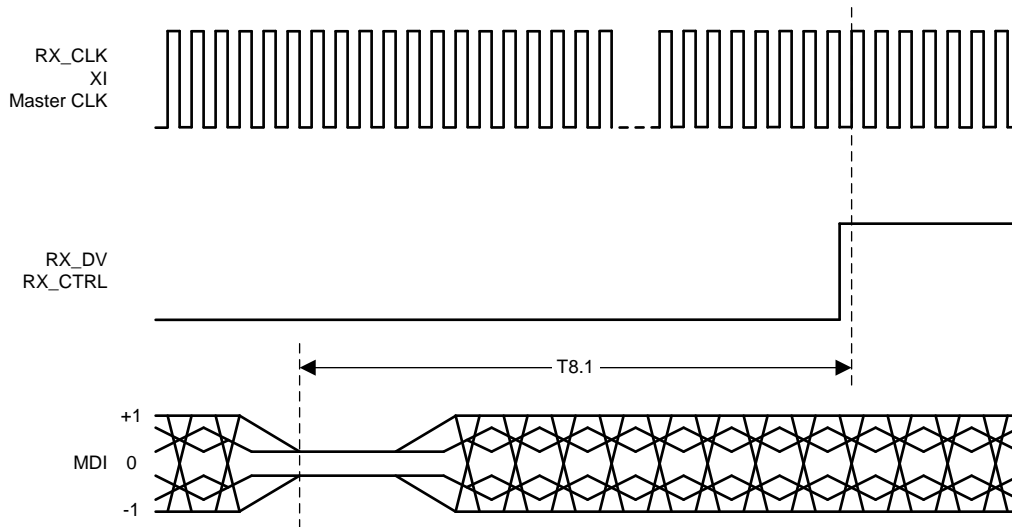
There are two registers that are able to control the routing of the IEEE 1588 transmit and receive indications. The [IO\\_CTRL1 Register 0x0462 – GPIO Control Register #1](#) is able to route both transmit and receive indications to LED\_0 (GPIO\_0) and LED\_1 (GPIO\_1). CLKOUT transmit and receive 1588 SFD indication is found in the [IO\\_CTRL2 Register 0x0463 – GPIO Control Register #2](#).



✎ 17. Transmit Latency



**Feature Description (continued)**



**图 18. Receive Latency**

**8.3.3 Diagnostic Tool Kit**

The DP83TC811R-Q1 diagnostic tool kit provides mechanisms for monitoring normal operation, device-level debugging, system-level debugging, fault detection, and compliance testing. This tool kit includes a built-in self-test with PRBS data, various loopback modes, Signal Quality Indicator (SQI), Time Domain Reflectometry (TDR), undervoltage monitor, overtemperature monitor, electrostatic discharge monitor, and IEEE 802.3bw test modes.

**8.3.3.1 Signal Quality Indicator**

When the DP83TC811R-Q1 is active, the Signal Quality Indicator may be used to determine the quality of link based on SNR readings made by the device. SQI is presented as both a four-level indication and a percentage based on the calculated SNR value. Signal quality indication is accessible through the [SQI Register 0x0198 – Signal Quality Indication Register](#). SQI is continuously monitored by the DP83TC811R-Q1 to allow for real-time link signal quality status.

Bits[9:8] in register 0x198 provide signal quality status. For SQI value, convert bits[7:0] to decimal form.

**表 3. Signal Quality Indicator**

| BIT[9] | BIT[8] | SIGNAL QUALITY STATUS  | SIGNAL QUALITY INDICATION |
|--------|--------|------------------------|---------------------------|
| 0      | 0      | No Link                | SQI ≤ 40                  |
| 0      | 1      | Intermittent/Poor Link |                           |
| 1      | 0      | Good Link              | 40 < SQI ≤ 70             |
| 1      | 1      | Excellent Link         | SQI > 70                  |

Signal-to-noise ratio is accessible through the [SNR Register 0x0197 – Signal-to-Noise Ratio Result Register](#). To convert this binary register field to dB, follow these steps:

1. Convert bits[7:0] in register 0x197 to decimal form
2. Divide decimal value by 10
3. Result is SNR (dB) reading

**8.3.3.2 Electrostatic Discharge Sensing**

Electrostatic discharge is a serious issue for electronic circuits and if not properly mitigated can create short-term issues (signal integrity, link drops, packet loss) as well as long-term reliability faults. The DP83TC811R-Q1 has robust integrated ESD circuitry and offers an ESD sensing architecture. ESD events can be detected on both the xMII and MDI pins independently for further analysis and debug.

Additionally, the DP83TC811R-Q1 provides an interrupt status flag; bit[11] in the [INT\\_STAT1 Register 0x0012 – Interrupt Status Register #1](#) when an ESD event is logged in the [ESDS Register 0x0448 – Electrostatic Discharge Status Register](#). Hardware and software resets are ignored by the ESDS register to prevent unwarranted clearing.

### 8.3.3.3 Time Domain Reflectometry

Time domain reflectometry helps determine the quality of the cable, connectors and terminations in addition to estimating OPEN and SHORT faults along a cable. The DP83TC811R-Q1 transmits a test pulse down the attached twisted-pair cable. Transmitted pulses continue down the cable and reflect from each imperfection and fault, allowing the device to measure the time to return and strength (amplitude) of all reflections. This technique enables the DP83TC811R-Q1 to identify cable OPENS and SHORTs.

TDR is activated by setting bit[15] in the [TDR Register 0x001E – Time Domain Reflectometry Register](#). Cable diagnostic status is obtained by reading bits[1:0] in the TDR register. TDR runs are stored in the [TDRR Register 0x016B – TDR Results Register](#). When more than one fault is present, additional locations are identified by the [TDRLR1 Register 0x0180 – TDR Location Result Register #1](#) and the [TDRPT Register 0x018A – TDR Peak Type Register](#).

### 8.3.3.4 Temperature and Voltage Sensing

Overtemperature and undervoltage monitoring are always active in the DP83TC811R-Q1 by default. If an overtemperature condition, an undervoltage condition, or both conditions are detected, interrupt status flags are set in the [INT\\_STAT2 Register 0x0013 – Interrupt Status Register #2](#). Additionally, temperature and voltage monitoring cycle period can be adjusted using the [MON\\_CFG1 Register 0x0480 – Monitor Configuration Register #1](#) bits[2:0]. By default, sample time is set to 31 ms, but also has a configurable range of 16 ms to 240 ms. Single-run temperature and voltage monitoring is also supported when bit[1] is set to 0b0 in the [MON\\_CFG2 Register 0x0481 – Monitor Configuration Register #2](#), disabling period monitoring. To activate a single run, bit[0] in MON\_CFG2 register must be set after disabling period monitoring. Temperature monitor results are available in the [MON\\_STAT1 Register 0x0483 – Monitor Status Register #1](#). VDDA and VDDIO supply monitor results are available in the [MON\\_STAT2 Register 0x0484 – Monitor Status Register #2](#).

### 8.3.3.5 Built-In Self-Test

The DP83TC811R-Q1 incorporates an internal PRBS Built-in Self-Test (BIST) circuit to accommodate in-circuit testing and diagnostics. The BIST circuit can be used to test the integrity of transmit and receive data paths. BIST can be enabled while using internal loopbacks (MII, PCS or analog) or external loopback when using a Link Partner configured for Reverse Loopback. BIST simulates pseudo-random data transfer scenarios in format of real packets and Inter-Packet Gap (IPG) on the lines. It allows full control over packet lengths and IPG.

BIST Packet Length is controlled using bits[10:0] in the [BICTSR2 Register 0x001C – BIST Control and Status Register #2](#). BIST IPG Length is controlled using bits[7:0] in the [BICTSR1 Register 0x001B – BIST Control and Status Register #1](#).

BIST is implemented with independent transmit and receive paths, with the transmit clock generating a continuous stream of a pseudo-random sequence. The device generates a 15-bit pseudo-random sequence for BIST. Received data is compared to the generated pseudo-random data to determine pass or fail status. The number of error bytes that the PRBS checker received is stored in bits[15:8] of the BICSR1 register. PRBS lock status and sync can be read from the [BISTCR Register 0x0016 – BIST Control Register](#).

PRBS test can be put in continuous mode using bit[14] in the BICSR register. In continuous mode, when the BIST error counter reaches its maximum value, the counter starts counting from zero again. To read the BIST error count, bit[15] in the BICSR1 register must be set to 0b1. This will lock the current number of BIST errors for read-back. Note that setting bit[15] also clears the BIST error counter.

### 8.3.3.6 Loopback Modes

There are several loopback options within the DP83TC811R-Q1 that test and verify various functional blocks within the PHY. Loopback modes also provide on-board and system level verification testing and debug.

#### 8.3.3.6.1 xMII Loopback

xMII Loopback is the shallowest loop through the PHY. It is a useful test mode to validate communications between the MAC and the PHY. When in xMII Loopback, data transmitted from a connected MAC on the TX path is internally looped back in the DP83TC811R-Q1 to the RX pins where it can be checked by the MAC. There is no link indication when in xMII loopback.

xMII Loopback is enabled by setting bit[14] in the *BMCR Register 0x0000 – Basic Mode Control Register*.

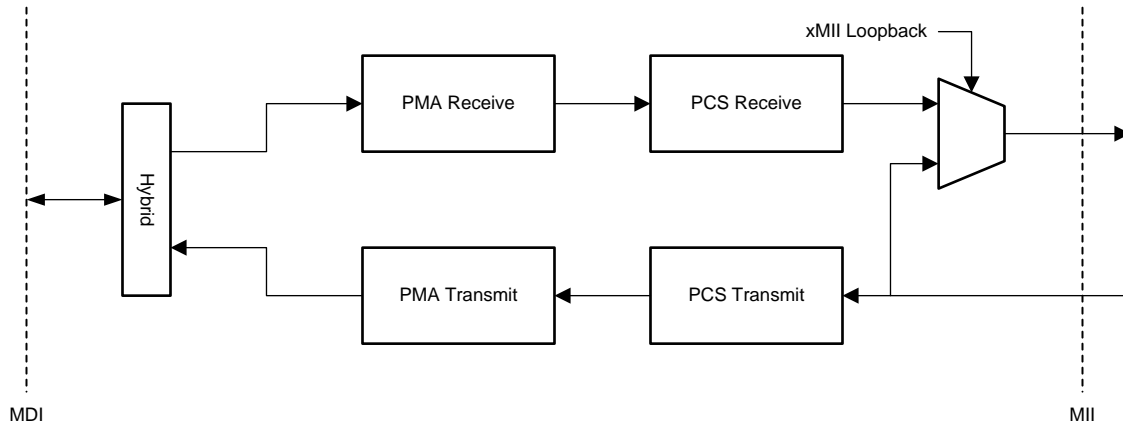


图 19. xMII Loopback

#### 8.3.3.6.2 PCS Loopback

PCS Loopback will loop back data prior to it exiting the PCS and entering the PMA. Data received from the MAC on the transmit path is brought through the digital block within the PHY where it is then routed back to the MAC through the receive path. The DP83TC811R-Q1 receive PMA circuitry is configured for isolation to prevent contention.

PCS Loopback is enabled by setting bits[6:2] = 0b0001 in the *BISTCR Register 0x0016 – BIST Control Register*.

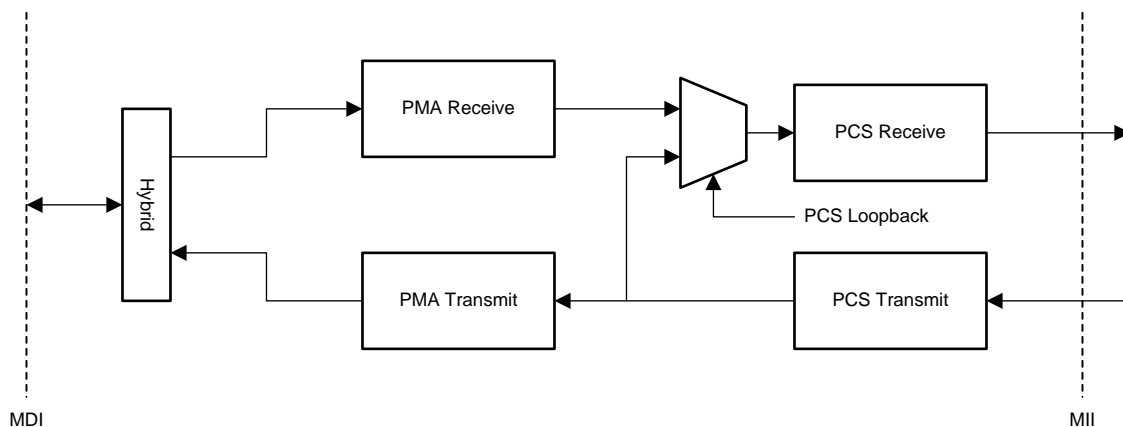
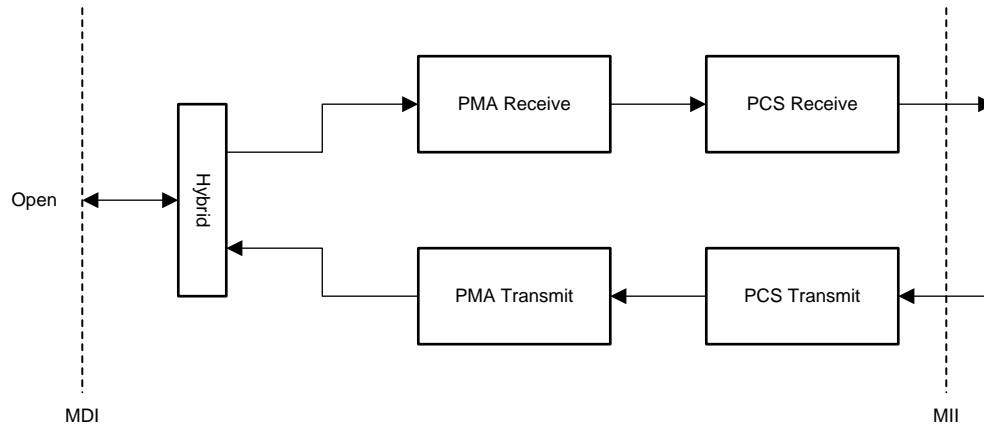


图 20. PCS Loopback

### 8.3.3.6.3 Analog Loopback

Analog Loopback uses the echoed signals from the unterminated MDI and decodes these signals in the Hybrid to return the data to the MAC.

Analog Loopback is enabled by setting bits[6:2] = 0b0010 in the BISTCR register.

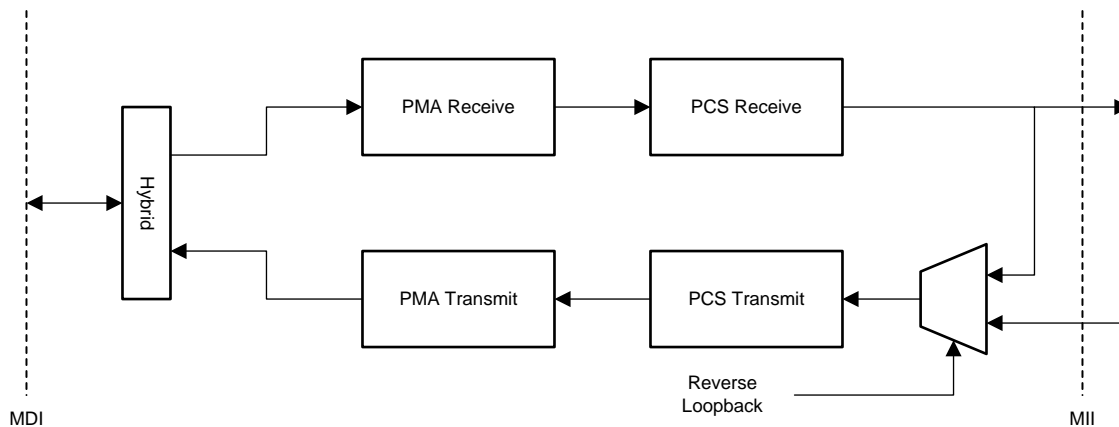


⊠ 21. Analog Loopback

### 8.3.3.6.4 Reverse Loopback

Reverse Loopback receives data on the MDI and passes it through the entire receive block where it is then looped back within the PCS layer to the transmit block. The data is transmitted back out on the MDI to the attached Link Partner. To avoid contention, MAC transmit path is isolated.

Reverse Loopback is enable by setting bits[6:2] = 0b0100 in the BISTCR register.



⊠ 22. Reverse Loopback

### 8.3.4 Compliance Test Modes

There are four PMA compliance test modes required in IEEE 802.3bw, sub-clause 96.5.2, which are all supported by the DP83TC811R-Q1. These compliance test modes include: transmitter waveform Power Spectral Density (PSD) mask, amplitude, distortion, 100BASE-T1 Master jitter, 100BASE-T1 Slave jitter, droop, transmitter frequency, frequency tolerance, return loss, and mode conversion. Any of the three GPIOs can be used to output TX\_TCLK for the 100BASE-T1 Slave jitter measurement.

#### 8.3.4.1 Test Mode 1

Test mode 1 evaluates transmitter droop. In test mode 1, the DP83TC811R-Q1 transmits '+1' symbols for a minimum of 600 ns followed by '-1' symbols for a minimum of 600 ns. This pattern is repeated continuously until the test mode is disabled.

Test mode 1 is enabled by setting bits[15:13] = 0b001 in the [TEST\\_CTRL Register 0x0836 – MMD1 100BASE-T1 PMA Test Control Register](#).

Additionally, transmit symbol width can be controlled using bits[9:4] in the [TEST\\_MODE\\_CTRL Register 0x0497 – Test Mode Control Register](#).

#### 8.3.4.2 Test Mode 2

Test mode 2 evaluates the transmitter 100BASE-T1 Master mode jitter. In test mode 2, the DP83TC811R-Q1 transmits a {+1,-1} data symbol sequence. The transmitter synchronizes the transmitted symbols from the local reference clock.

Test mode 2 is enabled by setting bits[15:13] = 0b010 in TEST\_CTRL register.

#### 8.3.4.3 Test Mode 4

Test mode 4 evaluates the transmitter distortion. In test mode 4, the DP83TC811R-Q1 transmits the sequence of symbols generated by 式 1:

$$g(x) = 1 + x^9 + x^{11} \quad (1)$$

The bit sequences,  $x0_n$  and  $x1_n$ , are generated from combinations of the scrambler in accordance to and :

$$x0_n = \text{Scr}_n[0] \quad (2)$$

$$x1_n = \text{Scr}_n[1] \wedge \text{Scr}_n[4] \quad (3)$$

Example streams of the 3-bit nibbles are shown in 表 4.

**表 4. Transmitter Test Mode 4 Symbol Mapping**

| x1n | x0n | PAM3 SYMBOL |
|-----|-----|-------------|
| 0   | 0   | 0           |
| 0   | 1   | +1          |
| 1   | 0   | 0           |
| 1   | 1   | -1          |

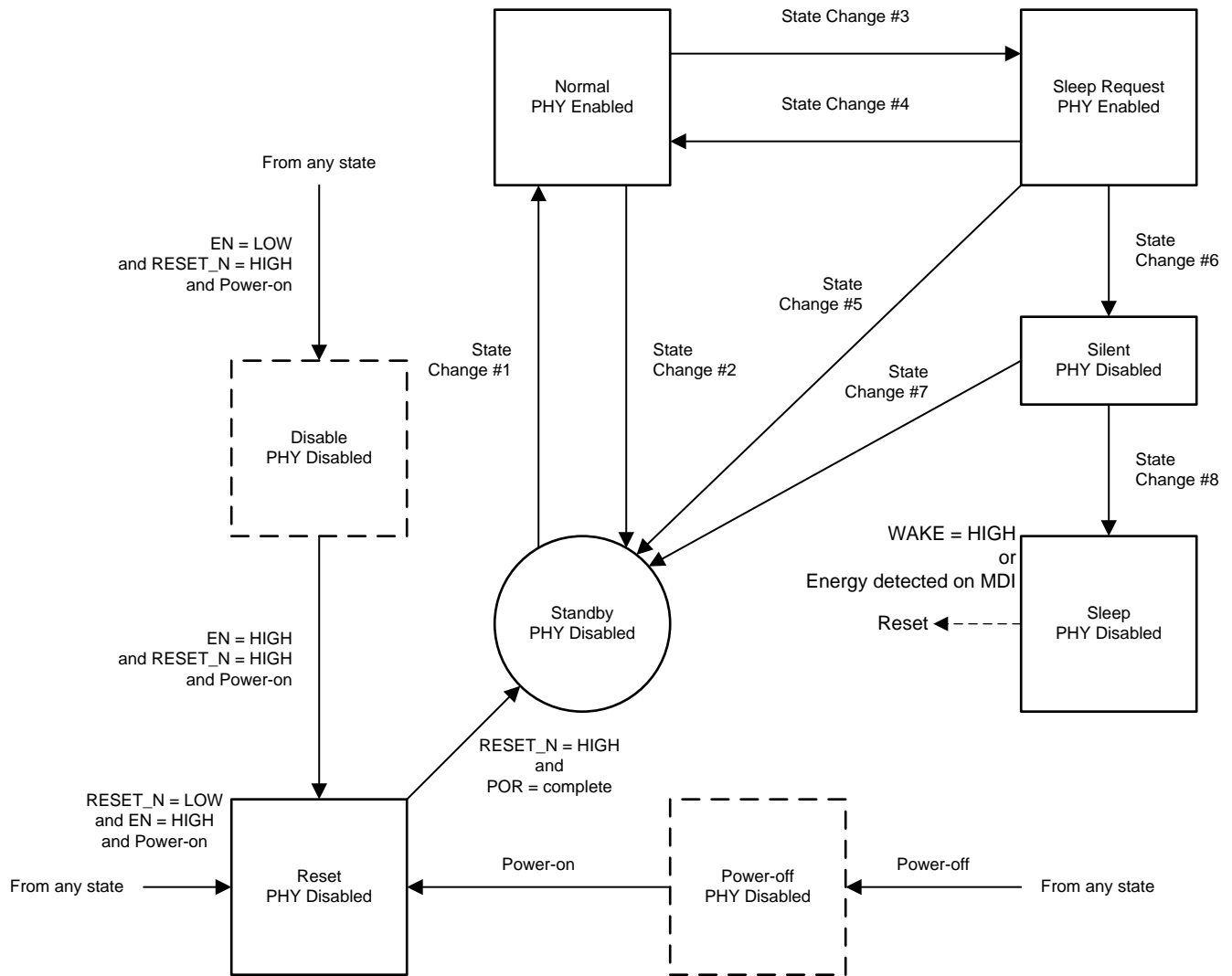
Test mode 4 is enabled by setting bits[15:13] = 0b100 in TEST\_CTRL register.

#### 8.3.4.4 Test Mode 5

Test mode 5 evaluates the transmitter PSD mask. In test mode 5, the DP83TC811R-Q1 transmits a pseudo-random sequence of PAM3 symbols.

Test mode 5 is enabled by setting bits[15:13] = 0b101 in TEST\_CTRL register.

### 8.4 Device Functional Modes



23. PHY Operation State Diagram

## Device Functional Modes (continued)

### 8.4.1 Power Down

When VDDA is below the POR threshold (1V), the DP83TC811R-Q1 is in a power-down state. All digital IOs will remain in high impedance states and analog blocks are disabled. PMA termination is not present when powered down.

### 8.4.2 Reset

Reset is activated upon power-up, when  $\overline{\text{RESET}}$  is pulled LOW (for the minimum reset pulse time) or if hardware reset is initiated by setting bit[15] in the [PHYRCR Register 0x001F – PHY Reset Control Register](#). All digital circuitry is cleared along with register settings during reset. Once reset completes, device bootstraps are re-sampled and associated bootstrap registers are set accordingly. PMA termination is not present in reset.

### 8.4.3 Disable

To disable the PHY, EN pin must be held LOW. When disabled, the PHY behaves the same as it does in power-down. PMA termination is not present when the PHY is disabled.

### 8.4.4 Standby

The device (100BASE-T1 Master mode only) automatically enters into standby post power-up and reset so long that EN is held HIGH and the device is bootstrapped for managed operation.

In standby, all PHY functions are operational except for PCS and PMA blocks. Link establishment is not possible in standby and data cannot be transmitted or received. SMI functions are operational and register configurations are maintained.

If the device is configured for autonomous operation through bootstrap setting, the PHY automatically switches to normal operation once POR is complete.

### 8.4.5 Normal

Normal mode can be entered from either autonomous or managed operation. When in autonomous operation, the PHY will automatically try to establish a link with a valid Link Partner once POR is complete.

In managed operation, SMI access is required to allow the device to exit standby (100BASE-T1 Master mode only); commands issued through the SMI allow the device to exit standby and enables both the PCS and PMA blocks. All device features are operational in normal mode.

Autonomous operation can be enabled through SMI access by setting bit[6] in the [AUTO\\_PHY Register 0x018B – Autonomous PHY Control Register](#).

### 8.4.6 Sleep Request

Sleep request is entered when switching from normal mode to sleep mode. This is an intermediate state and is used to for a smooth transition into sleep mode. In sleep request mode, the PHY transmits LPS code-groups, informing the Link Partner that sleep is requested.

PHY sleep\_rqst\_timer (default = 1ms) begins once the PHY enters into sleep request mode. LPS decoding at the Link Partner will trigger the LPS RECEIVED interrupt. Once sleep\_rqst\_timer expires, the device transitions to silent mode prior to entering sleep mode. During sleep request, any frame received on the MDI or xMII enables the DP83TC811R-Q1; the PHY exits sleep request and enters normal mode.

### 8.4.7 Silent

The DP83TC811R-Q1 enters silent mode once the sleep\_rqst\_timer expires or the PHY no longer detects activity on the MDI, indicating that the Link Partner has already moved to silent mode.

Silent mode is only an intermediate state prior to sleep. The PHY sets tx\_mode = SEND\_Z and (0,0) are transmitted on the MDI. If sleep enable, bit[1] in the [AUTO\\_PHY Register 0x018B – Autonomous PHY Control Register](#), is set and no energy is detected on the MDI for the duration of silent\_timer (default = 8 ms), the DP83TC811R-Q1 will enter sleep mode. However, if energy is detected on the MDI prior to silent\_timer expiration, the PHY enters standby mode.

## Device Functional Modes (continued)

### 8.4.8 Sleep

If sleep enable is set, the PHY transitions to sleep mode after silent\_timer expires; however, if sleep enable is not set, the device transitions to standby once silent\_timer expires. By default, sleep enable is set. Once in sleep mode, all PHY blocks are disabled except for energy detection on the MDI. All register configurations are lost in sleep mode. No link can be established, data cannot be transmitted or received and SMI access is not available when in sleep mode.

### 8.4.9 Low-Power Sleep

Low-Power Sleep code-groups are used to inform the Link Partner that sleep mode is requested. The DP83TC811R-Q1 uses the *Sdn[1]* scrambler stream for LPS.

*Sdn[1]* scrambler stream must be set prior to LPS use, found in [LPS\\_CFG Register 0x04E5 – LPS Configuration Register](#).

### 8.4.10 Wake-Up

The user can wake up the DP83TC811R-Q1 remotely through energy detection on the MDI or locally using the WAKE pin. For local wake, the WAKE pin must be pulled HIGH. If the WAKE pin is tied LOW, the PHY will only exit sleep if energy is detected on the MDI.

### 8.4.11 State Transitions

#### 8.4.11.1 State Transition #1 - Standby to Normal

*Autonomous Operation:* The PHY will automatically transition to Normal state upon POR completion.

*Managed Operation:* The PHY will transition to Normal state out of Standby if any of the following occurs:

1. Energy detection, when energy is detected on the MDI
2. Register access, enabling Autonomous operation by setting bit[6] in the [AUTO\\_PHY Register 0x018B – Autonomous PHY Control Register](#)
3. Register access, forcing Normal state by setting bit[0] in the [PWRM Register 0x018C – Power Mode Register](#)

#### 8.4.11.2 State Transition #2 - Normal to Standby

This state transition is not supported.

#### 8.4.11.3 State Transition #3 - Normal to Sleep Request

Sleep Request state can be entered when valid LPS code-groups are received on the MDI from a Link Partner.

---

注

The PHY will not be permitted to transmit LPS code-groups unless the registers below are set.

---

To enable LPS code-group transmission, the LPS transmission enable bit[0] must be set in [AUTO\\_PHY Register 0x018B – Autonomous PHY Control Register](#).

The *Sdn[1]* scrambler stream must be enabled by setting bits[9:8] = 0b11 in [LPS\\_CFG Register 0x04E5 – LPS Configuration Register](#).

LPS code-group identification within the PCS layer must be enabled by setting bit[0] in [LPS\\_CTRL2 Register 0x0487 – LPS Control Register #2](#).

LPS code-groups are sent once Sleep Request is enabled by setting bit[1] in [PWRM Register 0x018C – Power Mode Register](#).

#### 8.4.11.4 State Transition #4 - Sleep Request to Normal

Sleep Request can be terminated and the device re-enter Normal state by any of the following methods:

1. Register access, forcing Normal state by setting bit[0] in the [PWRM Register 0x018C – Power Mode Register](#)



## Device Functional Modes (continued)

2. Frame detection, when a valid frame is transmitted or received before `sleep_rqst_timer` expires

### 8.4.11.5 State Transition #5 - Sleep Request to Standby

This state transition is not supported.

### 8.4.11.6 State Transition #6 - Sleep Request to Silent

Silent state can be entered by any of the following methods:

1. Valid LPS code-groups are received on the MDI *and* `sleep_rqst_timer` expired
2. Quiet MDI, SEND\_Z [ternary symbol vectors of (0,0)] detected on the MDI

### 8.4.11.7 State Transition #7 - Silent to Standby

Standby state can be entered by any of the following methods:

1. Standby enable, sleep is disabled by setting `bit[1] = 0b0` in the [AUTO\\_PHY Register 0x018B – Autonomous PHY Control Register](#) and `silent_timer` expired
2. MDI Detection, Non-SEND\_Z code-groups detected on the MDI prior to `silent_timer` expiration

### 8.4.11.8 State Transition #8 - Silent to Sleep

The PHY will exit Silent state and enter into Sleep state once the `silent_timer` expires or no activity is detected on the transmitter or receiver.

## 8.4.12 Media Dependent Interface

### 8.4.12.1 100BASE-T1 Master and 100BASE-T1 Slave Configuration

100BASE-T1 Master and 100BASE-T1 Slave are configured using either hardware bootstraps or through register access.

LED\_0 controls the 100BASE-T1 Master and 100BASE-T1 Slave bootstrap configuration. By default, 100BASE-T1 Slave mode is configured because there is an internal pulldown resistor on LED\_0 pin. If 100BASE-T1 Master mode configuration through hardware bootstrap is preferred, an external pullup resistor is required.

Additionally, `bit[14]` in the [PMA\\_CTRL2 Register 0x0834 – MMD1 PMA Control Register #2](#) controls the 100BASE-T1 Master and 100BASE-T1 Slave configuration. When this bit is set, 100BASE-T1 Master mode is enabled.

### 8.4.12.2 Auto-Polarity Detection and Correction

During the link training process, the DP83TC811R-Q1 100BASE-T1 Slave device is able to detect polarity reversal and automatically corrects the error. If polarity reversal is detected, the 100BASE-T1 Slave will invert its own transmitted signals to account for the error and ensure compatibility with the 100BASE-T1 Master. Polarity at the 100BASE-T1 Master is always observed as correct because polarity detection and correction is handled entirely by the 100BASE-T1 Slave.

### 8.4.12.3 Jabber Detection

The jabber function prevents the PCS Receive state machine from locking up into a DATA state if the End-of-Stream Delimiters, ESD1 and ESD2, are never detected or received within the `rcv_max_timer`. When the maximum receive DATA state timer expires, the PCS Receive state machine is reset and transitions into IDLE state. IEEE 802.3bw specifies that jabber timeout be set to 1.08 ms  $\pm$  54  $\mu$ s. By default, jabber timeout in the DP83TC811R-Q1 is set to 1.1 ms. This timer is configurable in [JAB\\_CFG Register 0x0496 – Jabber Configuration Register](#).

### 8.4.12.4 Interleave Detection

The interleave function allows for the DP83TC811R-Q1 to detect and de-interleave the serial stream from a connected link partner. The two possible interleave sequences of ternary symbols include: (TA<sub>n</sub>, TB<sub>n</sub>) or (TB<sub>n</sub>, TA<sub>n</sub>).

## Device Functional Modes (continued)

### 8.4.13 MAC Interfaces

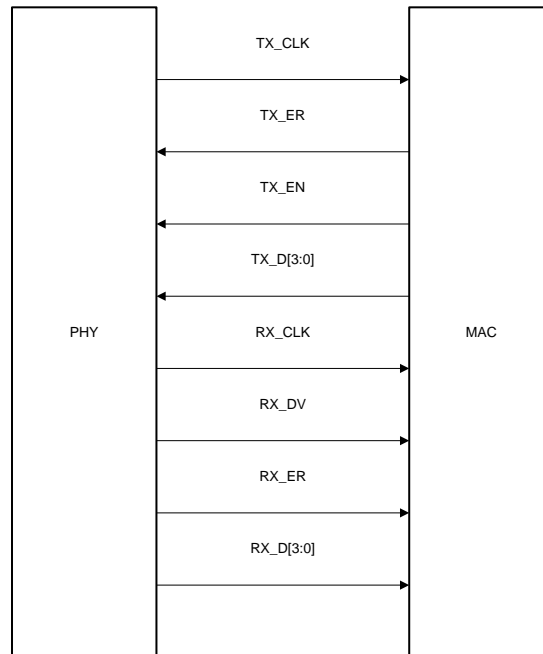
#### 8.4.13.1 Media Independent Interface

The Media Independent Interface (MII) is a synchronous 4-bit wide nibble data interface that connects the PHY to the MAC. The MII is fully compliant with IEEE 802.3-2015 clause 22.

The MII signals are summarized in [表 5](#):

**表 5. MII Signals**

| FUNCTION        | PINS         |
|-----------------|--------------|
| Data Signals    | TX_D[3:0]    |
|                 | RX_D[3:0]    |
| Control Signals | TX_EN, TX_ER |
|                 | RX_DV, RX_ER |
| Clock Signals   | TX_CLK       |
|                 | RX_CLK       |



**图 24. MII Signaling**

**表 6. MII Transmit Encoding**

| TX_EN | TX_ER | TX_D[3:0]         | DESCRIPTION                |
|-------|-------|-------------------|----------------------------|
| 0     | 0     | 0000 through 1111 | Normal Inter-Frame         |
| 0     | 1     | 0000 through 1111 | Reserved                   |
| 1     | 0     | 0000 through 1111 | Normal Data Transmission   |
| 1     | 1     | 0000 through 1111 | Transmit Error Propagation |

**表 7. MII Receive Encoding**

| RX_DV | RX_ER | RX_D[3:0]         | DESCRIPTION                |
|-------|-------|-------------------|----------------------------|
| 0     | 0     | 0000 through 1111 | Normal Inter-Frame         |
| 0     | 1     | 0000              | Normal Inter-Frame         |
| 0     | 1     | 0001 through 1101 | Reserved                   |
| 0     | 1     | 1110              | False Carrier Indication   |
| 0     | 1     | 1111              | Reserved                   |
| 1     | 0     | 0000 through 1111 | Normal Data Reception      |
| 1     | 1     | 0000 through 1111 | Data Reception with Errors |

#### 8.4.13.2 Reduced Media Independent Interface

The DP83TC811R-Q1 incorporates the Reduced Media Independent Interface (RMII) as defined in the RMII Revision 1.2 and 1.0 from the RMII consortium. The purpose of this interface is to provide a reduced pin count alternative to the IEEE 802.3u MII as specified in Clause 22. Architecturally, the RMII specification provides an additional reconciliation layer on either side of the MII, but can be implemented in the absence of an MII.

The DP83TC811R-Q1 offers two types of RMII operations: RMII Slave and RMII Master. In RMII Slave Mode, the DP83TC811R-Q1 operates off a 50-MHz CMOS-level oscillator, which is either provided by the MAC or synchronous to the MAC's reference clock. In RMII Master operation, the DP83TC811R-Q1 operates off of either a 25-MHz CMOS-level oscillator connected to XI pin or a 25-MHz crystal connected across XI and XO pins. When bootstrapping to RMII Master Mode, a 50-MHz output clock will automatically be enabled on RX\_D3. This 50-MHz output clock should be routed to the MAC.

The RMII specification has the following characteristics:

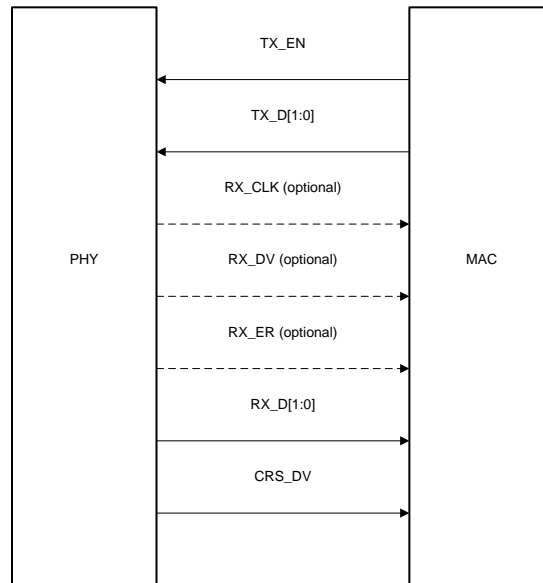
- Single clock reference shared between MAC and PHY
- Provides independent 2-bit wide transmit and receive data paths

In this mode, data transfers are two bits for every clock cycle using the 50-MHz reference clock for both transmit and receive paths.

The RMII signals are summarized in [表 8](#):

**表 8. RMII Signals**

| FUNCTION        | PINS      |
|-----------------|-----------|
| Data Signals    | TX_D[1:0] |
|                 | RX_D[1:0] |
| Control Signals | TX_EN     |
|                 | CRS_DV    |


**图 25. RMII Signaling**
**表 9. RMII Transmit Encoding**

| TX_EN | TX_D[1:0]     | DESCRIPTION              |
|-------|---------------|--------------------------|
| 0     | 00 through 11 | Normal Inter-Frame       |
| 1     | 00 through 11 | Normal Data Transmission |

**表 10. RMII Receive Encoding**

| CRS_DV | RX_ER | RX_D[1:0]     | DESCRIPTION                |
|--------|-------|---------------|----------------------------|
| 0      | 0     | 00 through 11 | Normal Inter-Frame         |
| 0      | 1     | 00            | Normal Inter-Frame         |
| 0      | 1     | 01 through 11 | Reserved                   |
| 1      | 0     | 00 through 11 | Normal Data Reception      |
| 1      | 1     | 00 through 11 | Data Reception with Errors |

**RMII Slave:** Data on TX\_D[1:0] are latched at the PHY with reference to the rising edge of the reference clock at the XI pin. Data is presented on RX\_D[1:0] with reference to the same rising clock edges at the XI pin.

**RMII Master:** Data on TX\_D[1:0] are latched at the PHY with reference to the rising edge of the reference clock at the RX\_D3 pin. Data is presented on RX\_D[1:0] with reference to the same rising clock edges at the RX\_D3 pin.

The DP83TC811R-Q1 RMII supplies an RX\_DV signal, which provides a simpler method to recover receive data without the need to separate RX\_DV from the CRS\_DV indication. RX\_ER is also supported even though it is not required by the RMII specification.

RMII includes a programmable FIFO to adjust for the frequency differences between the reference clock and the recovered clock. The programmable FIFO, located in the , minimizes internal propagation delay based on expected maximum packet size and clock accuracy.

表 11 indicates how to program the FIFO based on the expected maximum packet size and clock accuracy. This table is based on the assumption that the local reference clock and link partner reference clock have the same accuracy.

表 11. Recommended RMII Packet Sizes

| START THRESHOLD | RECOMMENDED PACKET SIZE AT ±100ppm |
|-----------------|------------------------------------|
| 2-bits          | 1250 bytes                         |
| 3-bits          | 3750 bytes                         |
| 4-bits          | 6250 bytes                         |
| 5-bits          | 8750 bytes                         |

8.4.13.3 Reduced Gigabit Media Independent Interface

The DP83TC811R-Q1 also supports Reduced Gigabit Media Independent Interface (RGMII) as specified by RGMII version 2.0 with LVCMOS. RGMII is designed to reduce the number of pins required to connect MAC and PHY. To accomplish this goal, the control signals are multiplexed. Both rising and falling edges of the clock are used to sample the control signal pin on transmit and receive paths. Data is samples on just the rising edge of the clock. For 100-Mbps operation, RX\_CLK and TX\_CLK operate at 25 MHz.

The RGMII signals are summarized in 表 12:

表 12. RGMII Signals

| FUNCTION        | PINS      |
|-----------------|-----------|
| Data Signals    | TX_D[3:0] |
|                 | RX_D[3:0] |
| Control Signals | TX_CTRL   |
|                 | RX_CTRL   |
| Clock Signals   | TX_CLK    |
|                 | RX_CLK    |

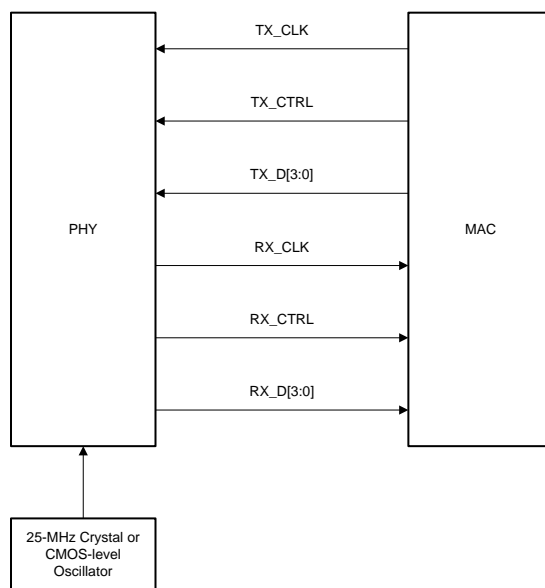


图 26. RGMII Connections

表 13. RGMII Transmit Encoding

| TX_CTRL (POSITIVE EDGE) | TX_CTRL (NEGATIVE EDGE) | TX_D[3:0]         | DESCRIPTION                |
|-------------------------|-------------------------|-------------------|----------------------------|
| 0                       | 0                       | 0000 through 1111 | Normal Inter-Frame         |
| 0                       | 1                       | 0000 through 1111 | Reserved                   |
| 1                       | 0                       | 0000 through 1111 | Normal Data Transmission   |
| 1                       | 1                       | 0000 through 1111 | Transmit Error Propagation |

**表 14. RGMII Receive Encoding**

| RX_CTRL<br>(POSITIVE EDGE) | RX_CTRL<br>(NEGATIVE EDGE) | RX_D[3:0]         | DESCRIPTION                |
|----------------------------|----------------------------|-------------------|----------------------------|
| 0                          | 0                          | 0000 through 1111 | Normal Inter-Frame         |
| 0                          | 1                          | 0000 through 1101 | Reserved                   |
| 0                          | 1                          | 1110              | False Carrier Indication   |
| 0                          | 1                          | 1111              | Reserved                   |
| 1                          | 0                          | 0000 through 1111 | Normal Data Reception      |
| 1                          | 1                          | 0000 through 1111 | Data Reception with Errors |

During packet reception, RX\_CLK may be stretched on either the positive or negative pulse to accommodate the transition from the internal free running clock to a recovered clock (data synchronous). Data may be duplicated on the falling edge of the clock because double data rate (DDR) is only required for 1-Gbps operation, which is not supported by the DP83TC811R-Q1.

The DP83TC811R-Q1 supports in-band status indication to help simplify link status detection. Inter-frame signals on RX\_D[3:0] pins as specified in 表 15.

**表 15. RGMII In-Band Status**

| RX_CTRL  | RX_D3   | RX_D[2:1]  | RX_D0   |
|--|---|--|---|
| 00<br><b>Note:</b><br>In-band status is only valid when RX_CTRL is low | <b>Duplex Status:</b><br>0 = Half-Duplex<br>1 = Full-Duplex | <b>RX_CLK Clock Speed:</b><br>00 = 2.5 MHz<br>01 = 25 MHz<br>10 = 125 MHz<br>11 = Reserved | <b>Link Status:</b><br>0 = Link not established<br>1 = Valid link established |

#### 8.4.14 Serial Management Interface

The Serial Management Interface (SMI) provides access to the DP83TC811R-Q1 internal register space for status information and configuration. The SMI frames and base registers are compatible with IEEE 802.3 clause 22. The implemented register set consists of the registers required by the IEEE 802.3 plus several others to provide additional visibility and controllability of the DP83TC811R-Q1. Additionally, the DP83TC811R-Q1 includes control and status registers added to clause 45 as defined by IEEE 802.3bw. Access to clause 45 register field is achieved using clause 22 access.

The SMI includes the management clock (MDC) and the management input and output data pin (MDIO). MDC is sourced by the external management entity, also called Station (STA), and can run at a maximum clock rate of 25 MHz. MDC is not expected to be continuous, and can be turned off by the external management entity when the bus is idle.

MDIO is sourced by the external management entity and by the PHY. The data on the MDIO pin is latched on the rising edge of the MDC. MDIO pin requires a pullup resistor (2.2 KΩ), which pulls MDIO high during IDLE and turnaround.

Up to 16 DP83TC811R-Q1 PHYs can share a common SMI bus. To distinguish between the PHYs, a 4-bit address is used. During power-up-reset, the DP83TC811R-Q1 latches the PHYAD[3:0] configuration pins to determine its address.

The management entity must not start an SMI transaction in the first cycle after power-up-reset. To maintain valid operation, the SMI bus must remain inactive at least one MDC cycle after hard reset is deasserted. In normal MDIO transactions, the register address is taken directly from the management-frame reg\_addr field, thus allowing direct access to 32 16-bit registers (including those defined in IEEE 802.3 and vendor specific). The data field is used for both reading and writing. The Start code is indicated by a <01> pattern. This pattern makes sure that the MDIO line transitions from the default idle line state. Turnaround is defined as an idle bit time inserted between the Register Address field and the Data field. To avoid contention during a read transaction, no device may actively drive the MDIO signal during the first bit of turnaround. The addressed DP83TC811R-Q1 drives the MDIO with a zero for the second bit of turnaround and follows this with the required data.

For write transactions, the station-management entity writes data to the addressed DP83TC811R-Q1, thus eliminating the requirement for MDIO Turnaround. The turnaround time is filled by the management entity by inserting <10>.

**表 16. SMI Protocol Structure**

| SMI PROTOCOL    | <idle> <start> <op code> <device address> <reg address> <turnaround> <data> <idle> |
|-----------------|--|
| Read Operation  | <idle><01><10><AAAA><RRRR><Z0><XXXX XXXX XXXX XXXX><idle>                          |
| Write Operation | <idle><01><01><AAAA><RRRR><10><XXXX XXXX XXXX XXXX><idle>                          |

#### 8.4.15 Direct Register Access

Direct register access can be used for the first 31 registers (0x0 through 0x1F).

#### 8.4.16 Extended Register Space Access

The DP83TC811R-Q1 SMI function supports read and write access to the extended register set using registers REGCR (0xD) and ADDAR (0xE) and the MDIO Manageable Device (MMD) indirect method defined in IEEE 802.3ah Draft for Clause 22 for accessing the Clause 45 extended register set.

REGCR (0xD) is the MDIO Manageable MMD access control. In general, register REGCR[4:0] is the device address DEVAD that directs any accesses of ADDAR (0xE) register to the appropriate MMD.

The DP83TC811R-Q1 supports two MMD device addresses:

1. The vendor-specific device address DEVAD[4:0] = 11111 is used for general MMD register accesses.
2. DEVAD[4:0] = 00001 is used for 100BASE-T1 PMA MMD register accesses. Register names for registers accessible at this device address are preceded by MMD1.

All accesses through register REGCR and ADDAR must use the correct DEVAD. Transactions with other DEVADs are ignored. REGCR[15:14] holds the access function: address (00), data with no post increment (01), data with post increment on read and writes (10) and data with post increment on writes only (11).

- ADDAR is the address and data MMD register. ADDAR is used in conjunction with REGCR to provide the access to the extended register set. If register REGCR[15:14] is (00), then ADDAR holds the address of the extended address space register. Otherwise, ADDAR holds the data as indicated by the contents of its address register. When REGCR[15:14] is set to (00), accesses to register ADDAR modify the extended register set address register. This address register must always be initialized in order to access any of the registers within the extended register set.
- When REGCR[15:14] is set to (01), accesses to register ADDAR access the register within the extended register set selected by the value in the address register.
- When REGCR[15:14] is set to (10), access to register ADDAR access the register within the extended register set selected by the value in the address register. After that access is complete, for both reads and writes, the value in the address register is incremented.
- When REGCR[15:14] is set to (11), access to register ADDAR access the register within the extended register set selected by the value in the address register. After that access is complete, for write access only, the value in the address register is incremented. For read accesses, the value of the address register remains unchanged.

The following sections describe how to perform operations on the extended register set using register REGCR and ADDAR.

#### 8.4.17 Write Address Operation

To set the address register:

1. Write the value 0x1F (address function field = 00, DEVAD = '11111') to register REGCR.
2. Write the register address to register ADDAR.

Subsequent writes to register ADDAR (step 2) continue to write the address register.

##### 8.4.17.1 MMD1 - Write Address Operation

For writing register addresses within MMD1 field:

1. Write the value 0x1 (address function field = 00, DEVAD = '00001') to register REGCR.
2. Write the register address to register ADDAR.

### 8.4.18 Read Address Operation

To read the address register:

1. Write the value 0x1F (address function field = 00, DEVAD = '11111') to register REGCR.
2. Read the register address from register ADDAR.

Subsequent reads to register ADDAR (step 2) continue to read the address register.

#### 8.4.18.1 MMD1 - Read Address Operation

For reading register addresses within MMD1 field:

1. Write the value 0x1 (address function field = 00, DEVAD = '00001') to register REGCR.
2. Read the register address from register ADDAR.

### 8.4.19 Write Operation (No Post Increment)

To write a register in the extended register set:

1. Write the value 0x1F (address function field = 00, DEVAD = '11111') to register REGCR.
2. Write the desired register address to register ADDAR.
3. Write the value 0x401F (data, no post increment function field = 01, DEVAD = '11111') to register REGCR.
4. Write the content of the desired extended register set to register ADDAR.

Subsequent writes to register ADDAR (step 4) continue to rewrite the register selected by the value in the address register.

---

注

Steps (1) and (2) can be skipped if the address register was previously configured.

---

#### 8.4.19.1 MMD1 - Write Operation (No Post Increment)

To write a register in the MMD1 extended register set:

1. Write the value 0x1 (address function field = 00, DEVAD = '00001') to register REGCR.
2. Write the desired register address to register ADDAR.
3. Write the value 0x4001 (data, no post increment function field = 01, DEVAD = '00001') to register REGCR.
4. Write the content of the desired extended register set to register ADDAR.

### 8.4.20 Read Operation (No Post Increment)

To read a register in the extended register set:

1. Write the value 0x1F (address function field = 00, DEVAD = '11111') to register REGCR.
2. Write the desired register address to register ADDAR.
3. Write the value 0x401F (data, no post increment function field = 01, DEVAD = '11111') to register REGCR.
4. Read the content of the desired extended register set in register ADDAR.

Subsequent reads to register ADDAR (step 4) continue to reading the register selected by the value in the address register.

---

注

Steps (1) and (2) can be skipped if the address register was previously configured.

---

#### 8.4.20.1 MMD1 - Read Operation (No Post Increment)

To read a register in the MMD1 extended register set:

1. Write the value 0x1 (address function field = 00, DEVAD = '00001') to register REGCR.
2. Write the desired register address to register ADDAR.
3. Write the value 0x4001 (data, no post increment function field = 01, DEVAD = '00001') to register REGCR.



4. Read the content of the desired extended register set in register ADDAR.

#### **8.4.21 Write Operation (Post Increment)**

To write a register in the extended register set with post increment:

1. Write the value 0x1F (address function field = 00, DEVAD = '11111') to register REGCR.
2. Write the desired register address to register ADDAR.
3. Write the value 0x801F (data, post increment function field = 10, DEVAD = '11111') or the value 0xC01F (data, post increment on writes function field = 11, DEVAD = '11111') to register REGCR.
4. Write the content of the desired extended register set to register ADDAR.

Subsequent writes to register ADDAR (step 4) write the next higher addressed data register selected by the value of the address register; the address register is incremented after each access.

##### **8.4.21.1 MMD1 - Write Operation (Post Increment)**

To write a register in the MMD1 extended register set with post increment:

1. Write the value 0x1 (address function field = 00, DEVAD = '00001') to register REGCR.
2. Write the desired register address to register ADDAR.
3. Write the value 0x8001 (data, post increment function field = 10, DEVAD = '00001') or the value 0xC001 (data, post increment on writes function field = 11, DEVAD = '00001') to register REGCR.
4. Write the content of the desired extended register set to register ADDAR.

#### **8.4.22 Read Operation (Post Increment)**

To read a register in the extended register set and automatically increment the address register to the next higher value following the write operation:

1. Write the value 0x1F (address function field = 00, DEVAD = '11111') to register REGCR.
2. Write the desired register address to register ADDAR.
3. Write the value 0x801F (data, post increment function field = 10, DEVAD = '11111') to register REGCR.
4. Read the content of the desired extended register set in register ADDAR.

Subsequent reads to register ADDAR (step 4) read the next higher addressed data register selected by the value of the address register; the address register is incremented after each access.

##### **8.4.22.1 MMD1 - Read Operation (Post Increment)**

To read a register in the MMD1 extended register set and automatically increment the address register to the next higher value following the write operation:

1. Write the value 0x1 (address function field = 00, DEVAD = '00001') to register REGCR.
2. Write the desired register address to register ADDAR.
3. Write the value 0x8001 (data, post increment function field = 10, DEVAD = '00001') to register REGCR.
4. Read the content of the desired extended register set in register ADDAR.

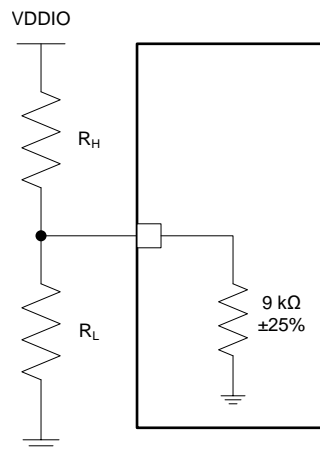
## 8.5 Programming

### 8.5.1 Strap Configuration

The DP83TC811R-Q1 uses functional pins as strap options to place the device into specific modes of operation. The values of these pins are sampled at power up and hardware reset (through either the RESET pin or register access). The strap pins support 4 levels, which are described in greater detail below. Configuration of the device may be done through 4-level strapping or through serial management interface.

**注**

Because strap pins are functional pins after reset is deasserted, they should not be connected directly to VDDIO or GND. Either pullup resistors, pulldown resistors, or both are required for proper operation.



**图 27. Strap Circuit**

**表 17. Recommended 4-Level Strap Resistor Ratios<sup>(1)(2)</sup>**

| MODE | IDEAL RH (kΩ) | IDEAL RL (kΩ) |
|------|---------------|---------------|
| 1    | OPEN          | OPEN          |
| 2    | 10            | 2.49          |
| 3    | 5.76          | 2.49          |
| 4    | 2.49          | OPEN          |

(1) Strap resistors with 1% tolerance are recommended.

(2) Resistor ratios are only a recommendation. Use the bootstrap threshold values contained within the [Electrical Characteristics](#) table for more precise mode selections.

The following table describes the DP83TC811R-Q1 configuration bootstraps:

**表 18. 4-Level Bootstraps**

| PIN NAME | PIN NO. | DEFAULT MODE | STRAP FUNCTION |                          |           | DESCRIPTION   |
|----------|---------|--------------|----------------|--------------------------|-----------|---|
|          |         |              | MODE           | PHY_AD[0]                | PHY_AD[2] |   |
| RX_DV    | 15      | 1            | MODE           | PHY_AD[0]                | PHY_AD[2] | PHY_AD: PHY Address ID  |
|          |         |              | 1              | 0                        | 0         |   |
|          |         |              | 2              | 0                        | 1         |   |
|          |         |              | 3              | 1                        | 1         |   |
| RX_ER    | 14      | 1            | MODE           | PHY_AD[1]                | PHY_AD[3] | PHY_AD: PHY Address ID  |
|          |         |              | 1              | 0                        | 0         |   |
|          |         |              | 2              | 0                        | 1         |   |
|          |         |              | 3              | 1                        | 1         |   |
| RX_D0    | 26      | 1            | MODE           | MAC[0]                   | TEST[0]   | MAC: MAC Interface Selection<br>TEST: Test Mode Selection   |
|          |         |              | 1              | 0                        | 0         |   |
|          |         |              | 2              | 0                        | 1         |   |
|          |         |              | 3              | 1                        | 1         |   |
| RX_D1    | 25      | 1            | MODE           | MAC[1]                   | TEST[1]   | MAC: MAC Interface Selection<br>TEST: Test Mode Selection   |
|          |         |              | 1              | 0                        | 0         |   |
|          |         |              | 2              | 0                        | 1         |   |
|          |         |              | 3              | 1                        | 1         |   |
| RX_D2    | 24      | 1            | MODE           | MAC[2]                   | TEST[2]   | MAC: MAC Interface Selection<br>TEST: Test Mode Selection   |
|          |         |              | 1              | 0                        | 0         |   |
|          |         |              | 2              | 0                        | 1         |   |
|          |         |              | 3              | 1                        | 1         |   |
| RX_D3    | 23      | 1            | MODE           | RESERVED                 | RESERVED  | <b>RX_D3 must be strapped to MODE 1</b>   |
|          |         |              | 1              | 0                        | 0         |   |
|          |         |              | Reserved       |                          |           |   |
|          |         |              | Reserved       |                          |           |   |
| LED_0    | 35      | 1            | MODE           | MS                       | RESERVED  | MS: 100BASE-T1 Master & 100BASE-T1 Slave Selection<br><b>Note:</b> LED_0 must only be set for bootstrap MODE 1 or MODE 4.   |
|          |         |              | 1              | 0                        |           |   |
|          |         |              | Reserved       |                          |           |   |
|          |         |              | Reserved       |                          |           |   |
| LED_1    | 6       | 1            | MODE           | $\overline{\text{AUTO}}$ | RESERVED  | $\overline{\text{AUTO}}$ : Autonomous Disable<br><b>Note 1:</b> LED_1 must only be set for bootstrap MODE 1 or MODE 4.<br><b>Note 2:</b> Autonomous bootstrap is only active for 100BASE-T1 Master mode PHYs. This bootstrap is ignored when the PHY is bootstrapped for 100BASE-T1 Slave mode operation. |
|          |         |              | 1              | 0                        |           |   |
|          |         |              | Reserved       |                          |           |   |
|          |         |              | Reserved       |                          |           |   |
|          |         |              | 4              | 1                        |           |   |

**表 19. 100BASE-T1 Master and 100BASE-T1 Slave Selection Bootstrap**

| MS | DESCRIPTION                     |
|----|---------------------------------|
| 0  | 100BASE-T1 Slave Configuration  |
| 1  | 100BASE-T1 Master Configuration |

**表 20. MAC Interface Selection Bootstraps**

| MAC[2] | MAC[1] | MAC[0] | DESCRIPTION                           |
|--------|--------|--------|---------------------------------------|
| 0      | 0      | 0      | RESERVED                              |
| 0      | 0      | 1      | MII                                   |
| 0      | 1      | 0      | RMII Slave                            |
| 0      | 1      | 1      | RMII Master                           |
| 1      | 0      | 0      | RGMII (Align Mode)                    |
| 1      | 0      | 1      | RGMII (TX Internal Delay Mode)        |
| 1      | 1      | 0      | RGMII (TX and RX Internal Delay Mode) |
| 1      | 1      | 1      | RGMII (RX Internal Delay Mode)        |

**表 21. Test Mode Bootstraps**

| TEST[2] | TEST[1] | TEST[0] | Description      |
|---------|---------|---------|------------------|
| 0       | 0       | 0       | Normal Operation |
| 0       | 0       | 1       | Test Mode 1      |
| 0       | 1       | 0       | Test Mode 2      |
| 0       | 1       | 1       | RESERVED         |
| 1       | 0       | 0       | Test Mode 4      |
| 1       | 0       | 1       | Test Mode 5      |
| 1       | 1       | 0       | RESERVED         |
| 1       | 1       | 1       | RESERVED         |

**表 22. PHY Address Bootstraps**

| PHY_AD[3] | PHY_AD[2] | PHY_AD[1] | PHY_AD[0] | DESCRIPTION               |
|-----------|-----------|-----------|-----------|---------------------------|
| 0         | 0         | 0         | 0         | PHY Address: 0b00000 (0)  |
| 0         | 0         | 0         | 1         | PHY Address: 0b00001 (1)  |
| 0         | 0         | 1         | 0         | PHY Address: 0b00010 (2)  |
| 0         | 0         | 1         | 1         | PHY Address: 0b00011 (3)  |
| 0         | 1         | 0         | 0         | PHY Address: 0b00100 (4)  |
| 0         | 1         | 0         | 1         | PHY Address: 0b00101 (5)  |
| 0         | 1         | 1         | 0         | PHY Address: 0b00110 (6)  |
| 0         | 1         | 1         | 1         | PHY Address: 0b00111 (7)  |
| 1         | 0         | 0         | 0         | PHY Address: 0b01000 (8)  |
| 1         | 0         | 0         | 1         | PHY Address: 0b01001 (9)  |
| 1         | 0         | 1         | 0         | PHY Address: 0b01010 (10) |
| 1         | 0         | 1         | 1         | PHY Address: 0b01011 (11) |
| 1         | 1         | 0         | 0         | PHY Address: 0b01100 (12) |
| 1         | 1         | 0         | 1         | PHY Address: 0b01101 (13) |
| 1         | 1         | 1         | 0         | PHY Address: 0b01110 (14) |
| 1         | 1         | 1         | 1         | PHY Address: 0b01111 (15) |

表 23. Autonomous Mode Bootstrap

| AUTO | DESCRIPTION  |
|------|--|
| 0    | Autonomous Mode, PHY able to establish link after power-up                                 |
| 1    | Managed Mode, PHY must be allowed to establish link after power-up based on register write |

### 8.5.2 LED Configuration

The DP83TC811R-Q1 supports up to three configurable Light Emitting Diode (LED) pins: LED\_0, LED\_1, and LED\_2 (CLKOUT). Several functions can be multiplexed onto the LEDs for different modes of operation. LED operations are selected using the [LED\\_CFG1 Register 0x0460 – LED Configuration Register #1](#).

Because the LED output pins are also used as strap pins, external components required for strapping and the user must consider the LED usage to avoid contention. Specifically, when the LED outputs are used to drive LEDs directly, the active state of each output driver is dependent on the logic level sampled by the corresponding input upon power up or hardware reset.

图 28 shows the two proper ways of connecting LEDs directly to the DP83TC811R-Q1.

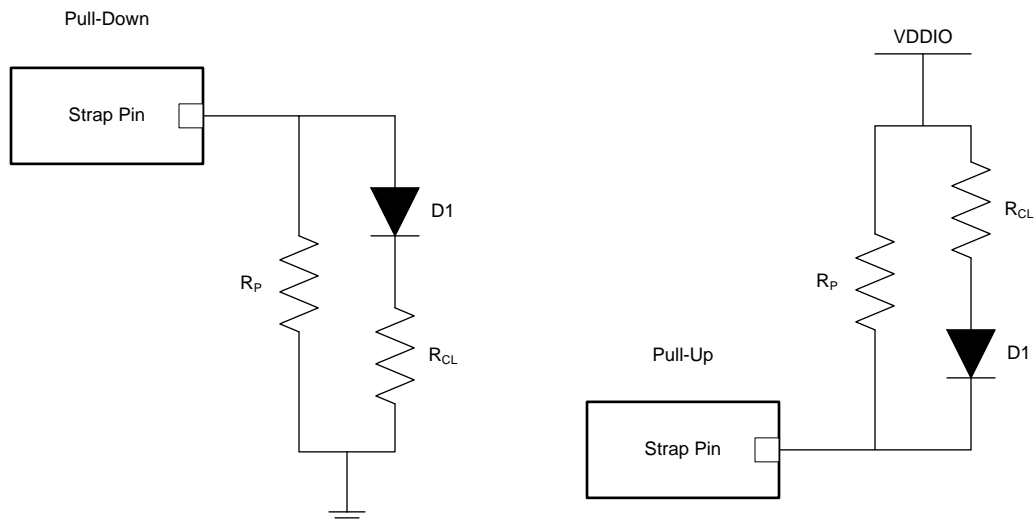


图 28. Example Strap Connections

### 8.5.3 PHY Address Configuration

The DP83TC811R-Q1 can be set to respond to any of 16 possible PHY addresses through bootstrap pins. The PHY address is latched into the device upon power-up or hardware reset. Each DP83TC811R-Q1 or port sharing PHY on the serial management bus in the system must have a unique PHY address. The DP83TC811R-Q1 supports PHY address strapping values 0 (<0b00000>) through 15 (<0b01111>).

By default, the DP83TC811R-Q1 will latch to a PHY address of 0 (<0b00000>). This address can be changed by adding pullup resistors to bootstrap pins found in [表 18](#).

## 8.6 Register Maps

In the register definitions under the 'TYPE' heading, the following definitions apply:

|              |   |
|--------------|---|
| <b>COR</b>   | Clear on read   |
| <b>Strap</b> | Default value loaded from bootstrap pin after reset               |
| <b>LH</b>    | Latched high and held until read                                  |
| <b>LL</b>    | Latched low and held until read                                   |
| <b>RO</b>    | Read only access  |
| <b>RW</b>    | Read write access   |
| <b>SC</b>    | Register sets on event occurrence and self-clears when event ends |

### 8.6.1 Register Access Summary

There are two different methods for accessing registers within the field. Direct register access method is only allowed for the first 31 registers (0x0 through 0x1F). Registers beyond 0x1F must be accessed by use of the Indirect Method (Extended Register Space) described in [Extended Register Space Access](#).

**表 24. Register Access Summary**

| REGISTER FIELD              | REGISTER ACCESS METHODS  |
|-----------------------------|--|
| 0x0 through 0x1F            | Direct Access  |
|                             | Indirect Access, MMD1F = '11111'<br><b>Example:</b> to read register 0x17 in MMD1F field with no post increment<br>Step 1) write 0x1F to register 0xD<br>Step 2) write 0x17 to register 0xE<br>Step 3) write 0x401F to register 0xD<br>Step 4) read register 0xE   |
| MMD1F Field<br>0x20 - 0xFFF | Indirect Access, MMD1F = '11111'<br><b>Example:</b> to read register 0x462 in MMD1F field with no post increment<br>Step 1) write 0x1F to register 0xD<br>Step 2) write 0x462 to register 0xE<br>Step 3) write 0x401F to register 0xD<br>Step 4) read register 0xE |
| MMD1 Field<br>0x0 - 0xFFF   | Indirect Access, MMD1 = '00001'<br><b>Example:</b> to read register 0x7 in MMD1 field with no post increment<br>Step 1) write 0x1 to register 0xD<br>Step 2) write 0x7 to register 0xE<br>Step 3) write 0x4001 to register 0xD<br>Step 4) read register 0xE        |

**8.6.2 BMCR Register 0x0000 – Basic Mode Control Register**
**☒ 29. Basic Mode Control Register (BMCR)**

|          |               |                 |                         |                 |         |          |   |
|----------|---------------|-----------------|-------------------------|-----------------|---------|----------|---|
| 15       | 14            | 13              | 12                      | 11              | 10      | 9        | 8 |
| Reset    | xMII Loopback | Speed Selection | Auto-Negotiation Enable | IEEE Power Down | Isolate | Reserved |   |
| RW/SC-0  | RW-0          | RO-1            | RO-0                    | RW-0            | RW-0    | RO-01    |   |
| 7        | 6             | 5               | 4                       | 3               | 2       | 1        | 0 |
| Reserved |               |                 |                         |                 |         |          |   |
| RO-0     |               |                 |                         |                 |         |          |   |

**表 25. BMCR Field Descriptions**

| BIT | FIELD                   | TYPE   | DEFAULT         | DESCRIPTION   |
|-----|-------------------------|--------|-----------------|---|
| 15  | Reset                   | RW, SC | 0               | <b>PHY Software Reset:</b><br>1 = Initiate software Reset / Reset in Progress<br>0 = Normal Operation<br>Writing a 1 to this bit resets the PHY PCS registers. When the reset operation is done, this bit is cleared to 0 automatically. PHY Vendor Specific registers will not be cleared.   |
| 14  | xMII Loopback           | RW     | 0               | <b>xMII Loopback:</b><br>1 = xMII Loopback enabled<br>0 = Normal Operation<br>When xMII loopback mode is activated, the transmitted data presented on xMII TXD is looped back to xMII RXD internally. There is no LINK indication generated when xMII loopback is enabled.  |
| 13  | Speed Selection         | RO     | 1               | <b>Speed Selection:</b> Always 100-Mbps Speed   |
| 12  | Auto-Negotiation Enable | RO     | 0               | <b>Auto-Negotiation:</b> Not supported  |
| 11  | IEEE Power Down         | RW     | 0               | <b>Power Down:</b><br>1 = IEEE Power Down<br>0 = Normal Operation<br>The PHY is powered down after this bit is set. Only register access is enabled during this power down condition. To control the power down mechanism, this bit is OR'ed with the input from the INT/PWDN_N pin. When the active low INT/PWDN_N is asserted, this bit is set. |
| 10  | Isolate                 | RW     | 0               | <b>Isolate:</b><br>1 = Isolates the port from the xMII with the exception of the serial management interface<br>0 = Normal Operation  |
| 9:0 | Reserved                | RO     | 01 0000<br>0000 | Reserved  |

**8.6.3 BMSR Register 0x0001 – Basic Mode Status Register**
**☒ 30. Basic Mode Status Register (BMSR)**

| 15         |  | 14                       |  | 13                        |  | 12                   |  | 11                       |  | 10          |  | 9             |  | 8                   |  |
|------------|--|--------------------------|--|---------------------------|--|----------------------|--|--------------------------|--|-------------|--|---------------|--|---------------------|--|
| 100Base-T4 |  | 100Base-TX Full-Duplex   |  | 100Base-TX Half-Duplex    |  | 10Base-T Full-Duplex |  | 10Base-T Half-Duplex     |  | Reserved    |  |               |  |                     |  |
| RO-0       |  | RO-0                     |  | RO-0                      |  | RO-0                 |  | RO-0                     |  | RO-0        |  |               |  |                     |  |
| 7          |  | 6                        |  | 5                         |  | 4                    |  | 3                        |  | 2           |  | 1             |  | 0                   |  |
|            |  | SMI Preamble Suppression |  | Auto-Negotiation Complete |  | Remote Fault         |  | Auto-Negotiation Ability |  | Link Status |  | Jabber Detect |  | Extended Capability |  |
| RO-1       |  | RO-1                     |  | RO/LH-0                   |  | RO-0                 |  | RO/LL-1                  |  | RO/LH-1     |  | RO-1          |  |                     |  |

**表 26. BMSR Field Descriptions**

| BIT  | FIELD                     | TYPE   | DEFAULT | DESCRIPTION   |
|------|---------------------------|--------|---------|---|
| 15   | 100Base-T4                | RO     | 0       | <b>100Base-T4 Capable:</b><br>This protocol is not available. Always reads as 0.  |
| 14   | 100Base-TX Full-Duplex    | RO     | 0       | <b>100Base-TX Full-Duplex Capable:</b><br>1 = Device able to perform Full-Duplex 100Base-TX<br>0 = Device not able to perform Full-Duplex 100Base-TX  |
| 13   | 100Base-TX Half-Duplex    | RO     | 0       | <b>100Base-TX Half-Duplex Capable:</b><br>1 = Device able to perform Half-Duplex 100Base-TX<br>0 = Device not able to perform Half-Duplex 100Base-TX  |
| 12   | 10Base-T Full-Duplex      | RO     | 0       | <b>10Base-T Full-Duplex Capable:</b><br>1 = Device able to perform Full-Duplex 10Base-T<br>0 = Device not able to perform Full-Duplex 10Base-T  |
| 11   | 10Base-T Half-Duplex      | RO     | 0       | <b>10Base-T Half-Duplex Capable:</b><br>1 = Device able to perform Half-Duplex 10Base-T<br>0 = Device not able to perform Half-Duplex 10Base-T  |
| 10:7 | Reserved                  | RO     | 0       | Reserved  |
| 6    | SMI Preamble Suppression  | RO     | 1       | <b>Preamble Suppression Capable:</b><br>1 = Device able to perform management transaction with preamble suppressed<br>0 = Device not able to perform management transaction with preambles suppressed<br>If this bit is set to 1, 32-bits of preamble needed only once after reset, invalid opcode or invalid turnaround. |
| 5    | Auto-Negotiation Complete | RO     | 1       | <b>Auto-Negotiation Complete:</b><br>1 = Auto-Negotiation process completed<br>0 = Auto Negotiation process not completed (either still in process, disabled or reset)  |
| 4    | Remote Fault              | RO, LH | 0       | <b>Remote Fault:</b><br>1 = Remote fault condition detected<br>0 = No remote fault condition detected<br>Far End Fault indication or notification from Link Partner of Remote Fault. This bit is cleared on read or reset.  |
| 3    | Auto-Negotiation Ability  | RO     | 0       | <b>Auto-Negotiation Ability:</b><br>1 = Device is able to perform Auto-Negotiation<br>0 = Device is not able to perform Auto-Negotiation  |
| 2    | Link Status               | RO, LL | 0       | <b>Link Status:</b><br>1 = Valid link established (for either 10-Mbps or 100-Mbps operation)<br>0 = Link not established  |
| 1    | Jabber Detect             | RO, LH | 0       | <b>Jabber Detect:</b><br>1 = Jabber condition detected<br>0 = No jabber condition detected  |
| 0    | Extended Capability       | RO     | 1       | <b>Extended Capability:</b><br>1 = Extended register capabilities<br>0 = Basic register set capabilities only   |



**8.6.4 PHYID1 Register 0x0002 – PHY Identifier Register #1**
**☒ 31. PHY Identifier Register #1 (PHYID1)**

|  |    |    |    |    |    |   |   |
|--|----|----|----|----|----|---|---|
| 15   | 14 | 13 | 12 | 11 | 10 | 9 | 8 |
| Organizationally Unique Identifier Bits 21:6 |    |    |    |    |    |   |   |
| RO-0010 0000                                 |    |    |    |    |    |   |   |
| 7  | 6  | 5  | 4  | 3  | 2  | 1 | 0 |
| Organizationally Unique Identifier Bits 21:6 |    |    |    |    |    |   |   |
| RO-0010 0000                                 |    |    |    |    |    |   |   |

**表 27. PHYID1 Field Descriptions**

| BIT  | FIELD  | TYPE | DEFAULT                      | DESCRIPTION |
|------|--|------|------------------------------|-------------|
| 15:0 | Organizationally Unique Identifier Bits 21:6 | RO   | 0010<br>0000<br>0000<br>0000 |             |

**8.6.5 PHYID2 Register 0x0003 – PHY Identifier Register #2**
**☒ 32. PHY Identifier Register #2 (PHYID2)**

|   |    |    |    |                 |    |              |   |
|---|----|----|----|-----------------|----|--------------|---|
| 15  | 14 | 13 | 12 | 11              | 10 | 9            | 8 |
| Organizationally Unique Identifier Bits 5:0 |    |    |    |                 |    | Model Number |   |
| RO-1010 00                                  |    |    |    |                 |    | RO-10 0101   |   |
| 7   | 6  | 5  | 4  | 3               | 2  | 1            | 0 |
|   |    |    |    | Revision Number |    |              |   |
| RO-0011                                     |    |    |    |                 |    |              |   |

**表 28. PHYID2 Field Descriptions**

| BIT   | FIELD                                       | TYPE | DEFAULT | DESCRIPTION   |
|-------|---|------|---------|---|
| 15:10 | Organizationally Unique Identifier Bits 5:0 | RO   | 1010 00 |   |
| 9:4   | Model Number                                | RO   | 10 0101 | <b>Vendor Model Number:</b><br>The six bits of vendor model number are mapped from bits 9 to 4  |
| 3:0   | Revision Number                             | RO   | 0011    | <b>Model Revision Number:</b><br>Four bits of the vendor model revision number are mapped from bits 3 to 0. This field is incremented for all major device changes. |

**8.6.6 TDR\_AUTO Register 0x0009 – TDR Auto-Run Register**
**☒ 33. TDR Auto-Run Register (TDR\_AUTO)**

|             |    |    |    |    |    |   |              |
|-------------|----|----|----|----|----|---|--------------|
| 15          | 14 | 13 | 12 | 11 | 10 | 9 | 8            |
| Reserved    |    |    |    |    |    |   | TDR Auto-Run |
| RW-0010 000 |    |    |    |    |    |   | RW-0         |
| 7           | 6  | 5  | 4  | 3  | 2  | 1 | 0            |
| Reserved    |    |    |    |    |    |   |              |
| RW-0        |    |    |    |    |    |   |              |

**表 29. TDR\_AUTO Field Descriptions**

| BIT  | FIELD        | TYPE | DEFAULT  | DESCRIPTION   |
|------|--------------|------|----------|---|
| 15:9 | Reserved     | RW   | 0010 000 | Reserved  |
| 8    | TDR Auto-Run | RW   | 0        | <b>TDR Auto-Run:</b><br>1 = TDR will automatically run when link is lost<br>0 = TDR auto-run disabled |
| 7:0  | Reserved     | RW   | 0        | Reserved  |

**8.6.7 REGCR Register 0x000D – Register Control Register**
**图 34. Register Control Register (REGCR)**

|                           |    |    |    |          |    |   |   |
|---------------------------|----|----|----|----------|----|---|---|
| 15                        | 14 | 13 | 12 | 11       | 10 | 9 | 8 |
| Extended Register Command |    |    |    | Reserved |    |   |   |
| RW-0                      |    |    |    | RO-0     |    |   |   |
| 7                         | 6  | 5  | 4  | 3        | 2  | 1 | 0 |
|                           |    |    |    | DEVAD    |    |   |   |
|                           |    |    |    | RW-0     |    |   |   |

**表 30. REGCR Field Descriptions**

| BIT   | FIELD                     | TYPE | DEFAULT | DESCRIPTION   |
|-------|---------------------------|------|---------|---|
| 15:14 | Extended Register Command | RW   | 0       | <b>Extended Register Command:</b><br>00 = Address<br>01 = Data, no post increment<br>10 = Data, post increment on read and write<br>11 = Data, post increment on write only   |
| 13:5  | Reserved                  | RO   | 0       | Reserved  |
| 4:0   | DEVAD                     | RW   | 0       | <b>Device Address:</b> Bits[4:0] are the device address, DEVAD, that directs any accesses of <a href="#">ADDAR Register 0x000E – Address/Data Register</a> to the appropriate MMD. Specifically, the DP83TC811R-Q1 uses the vendor specific DEVAD [4:0] = "11111" for accesses to registers 0x04D1 and lower. For MMD1 access, the DEVAD[4:0] = '00001'. All accesses through registers REGCR and ADDAR should use the DEVAD for either MMD or MMD1. Transactions with other DEVAD are ignored. |

**8.6.8 ADDAR Register 0x000E – Address/Data Register**
**图 35. Address/Data Register (ADDAR)**

|              |    |    |    |    |    |   |   |
|--------------|----|----|----|----|----|---|---|
| 15           | 14 | 13 | 12 | 11 | 10 | 9 | 8 |
| Address/Data |    |    |    |    |    |   |   |
| RW-0         |    |    |    |    |    |   |   |
| 7            | 6  | 5  | 4  | 3  | 2  | 1 | 0 |
| Address/Data |    |    |    |    |    |   |   |
| RW-0         |    |    |    |    |    |   |   |

**表 31. ADDAR Field Descriptions**

| BIT  | FIELD        | TYPE | DEFAULT | DESCRIPTION   |
|------|--------------|------|---------|---|
| 15:0 | Address/Data | RW   | 0       | If REGCR register 15:14 = '00', holds the MMD DEVAD's address register, otherwise holds the MMD DEVAD's data. |

**8.6.9 INT\_TEST Register 0x0011 – Interrupt Test Register**
**☒ 36. Interrupt Test Register (INT\_TEST)**

|                   |    |    |    |                    |                |          |   |
|-------------------|----|----|----|--------------------|----------------|----------|---|
| 15                | 14 | 13 | 12 | 11                 | 10             | 9        | 8 |
| Reserved          |    |    |    |                    |                |          |   |
| RW-0000 0001 0000 |    |    |    |                    |                |          |   |
| 7                 | 6  | 5  | 4  | 3                  | 2              | 1        | 0 |
|                   |    |    |    | Interrupt Polarity | Test Interrupt | Reserved |   |
|                   |    |    |    | RW-1               | RW-0           | RW-11    |   |

**表 32. INT\_TEST Field Descriptions**

| BIT  | FIELD              | TYPE | DEFAULT        | DESCRIPTION  |
|------|--------------------|------|----------------|--|
| 15:4 | Reserved           | RW   | 0000 0001 0000 | Reserved   |
| 3    | Interrupt Polarity | RW   | 1              | <b>Interrupt Polarity:</b><br>1 = Steady state (normal operation) without an interrupt is logical 1; during interrupt, pin is logical 0<br>0 = Steady state (normal operation) without an interrupt is logical 0; during interrupt, pin is logical 1 |
| 2    | Test Interrupt     | RW   | 0              | <b>Test Interrupt:</b><br>1 = Generate an interrupt<br>0 = Do not generate interrupt<br>Forces the PHY to generate an interrupt to facilitate interrupt testing. Interrupts will continue to be generated as long as this bit remains set.           |
| 1:0  | Reserved           | RW   | 11             | Reserved   |

**8.6.10 INT\_STAT1 Register 0x0012 – Interrupt Status Register #1**
**☒ 37. Interrupt Status Register #1 (INT\_STAT1)**

| 15                            | 14                             | 13                            | 12                   | 11                  | 10   | 9   | 8   |
|-------------------------------|--------------------------------|-------------------------------|----------------------|---------------------|--|---|---|
| Link Quality Interrupt        | Energy Detect Interrupt        | Link Status Changed Interrupt | WoL Interrupt        | ESD Event Interrupt | 100BASE-T1 Master / 100BASE-T1 Slave Training Complete Interrupt | False Carrier Counter Half-Full Interrupt | Receive Error Counter Half-Full Interrupt |
| RO/LH-0                       | RO/LH-0                        | RO/LH-0                       | RO/LH-0              | RO/LH-0             | RO/LH-0  | RO/LH-0                                   | RO/LH-0                                   |
| 7                             | 6                              | 5                             | 4                    | 3                   | 2  | 1   | 0   |
| Link Quality Interrupt Enable | Energy Detect Interrupt Enable | Link Status Changed Enable    | WoL Interrupt Enable | ESD Event Interrupt | MS Training Complete Interrupt                                   | False Carrier HF Enable                   | Receive Error HF Enable                   |
| RW-0                          | RW-0                           | RW-0                          | RW-0                 | RW-0                | RW-0   | RW-0                                      | RW-0                                      |

**表 33. INT\_STAT1 Field Descriptions**

| BIT | FIELD  | TYPE   | DEFAULT | DESCRIPTION  |
|-----|--|--------|---------|--|
| 15  | Link Quality Interrupt   | RO, LH | 0       | <b>Change of Link Quality Status Interrupt:</b><br>1 = Change of link quality when link is ON<br>0 = Link quality is Good  |
| 14  | Energy Detect Interrupt  | RO, LH | 0       | <b>Change of Energy Detection Status Interrupt:</b><br>1 = Change of energy detected<br>0 = No change of energy detected   |
| 13  | Link Status Changed Interrupt                                    | RO, LH | 0       | <b>Change of Link Status Interrupt:</b><br>1 = Change of link status interrupt is pending<br>0 = No change of link status  |
| 12  | WoL Interrupt  | RO, LH | 0       | <b>Detection of WoL Frame Interrupt:</b><br>1 = WoL interrupt is pending<br>0 = No WoL frame detected  |
| 11  | ESD Event Interrupt  | RO, LH | 0       | <b>ESD Interrupt:</b><br>1 = ESD event detected<br>0 = No ESD events detected  |
| 10  | 100BASE-T1 Master / 100BASE-T1 Slave Training Complete Interrupt | RO, LH | 0       | <b>100BASE-T1 Master and 100BASE-T1 Slave Training Complete Interrupt:</b><br>1 = 100BASE-T1 Master and 100BASE-T1 Slave Training complete interrupt is pending<br>0 = MS Training is not pending  |
| 9   | False Carrier Counter Half-Full Interrupt                        | RO, LH | 0       | <b>False Carrier Counter Half-Full Interrupt:</b><br>1 = False Carrier counter ( <a href="#">FCSCR Register 0x0014 – False Carrier Sense Counter Register</a> ) exceeds half-full interrupt is pending<br>0 = False Carrier half-full event is not pending |
| 8   | Receive Error Counter Half-Full Interrupt                        | RO, LH | 0       | <b>Receiver Error Counter Half-Full Interrupt:</b><br>1 = Receive Error counter ( <a href="#">RECR Register 0x0015 – Receive Error Count Register</a> ) exceeds half-full interrupt is pending<br>0 = Receive Error half-full event is not pending         |
| 7   | Link Quality Interrupt Enable                                    | RW     | 0       | <b>Enable</b> interrupt on change of link quality  |
| 6   | Energy Detect Interrupt Enable                                   | RW     | 0       | <b>Enable</b> interrupt on change of energy detection  |
| 5   | Link Status Changed Enable                                       | RW     | 0       | <b>Enable</b> interrupt on change of link status   |
| 4   | WoL Interrupt Enable   | RW     | 0       | <b>Enable</b> Interrupt on WoL frame detection   |
| 3   | ESD Event Interrupt  | RW     | 0       | <b>Enable</b> Interrupt on ESD event detection   |
| 2   | MS Training Complete Interrupt                                   | RW     | 0       | <b>Enable</b> Interrupt on 100BASE-T1 Master and 100BASE-T1 Slave Training Completion  |
| 1   | False Carrier HF Enable  | RW     | 0       | <b>Enable</b> Interrupt on False Carrier Counter Register half-full event  |
| 0   | Receive Error HF Enable  | RW     | 0       | <b>Enable</b> Interrupt on Receive Error Counter Register half-full event  |

**8.6.11 INT\_STAT2 Register 0x0013 – Interrupt Status Register #2**
**☒ 38. Interrupt Status Register #2 (INT\_STAT2)**

| 15                            |                              | 14       |  | 13 |  | 12                               |                         | 11                               |                                | 10 |  | 9 |  | 8 |  |
|-------------------------------|------------------------------|----------|--|----|--|----------------------------------|-------------------------|----------------------------------|--------------------------------|----|--|---|--|---|--|
| Undervoltage Interrupt        | Overvoltage Interrupt        | Reserved |  |    |  | Overtemperature Interrupt        | Sleep Mode Interrupt    | Polarity Change Interrupt        | Jabber Detect Interrupt        |    |  |   |  |   |  |
| RO/LH-0                       | RO/LH-0                      | RO/LH-0  |  |    |  | RO/LH-0                          | RO/LH-0                 | RO/LH-0                          | RO/LH-0                        |    |  |   |  |   |  |
| 7                             |                              | 6        |  | 5  |  | 4                                |                         | 3                                |                                | 2  |  | 1 |  | 0 |  |
| Undervoltage Interrupt Enable | Overvoltage Interrupt Enable | Reserved |  |    |  | Overtemperature Interrupt Enable | Sleep Mode Event Enable | Polarity Change Interrupt Enable | Jabber Detect Interrupt Enable |    |  |   |  |   |  |
| RW-0                          | RW-0                         | RO-0     |  |    |  | RW-0                             | RW-0                    | RW-0                             | RW-0                           |    |  |   |  |   |  |

**表 34. INT\_STAT2 Field Descriptions**

| BIT   | FIELD                            | TYPE   | DEFAULT | DESCRIPTION  |
|-------|----------------------------------|--------|---------|--|
| 15    | Undervoltage Interrupt           | RO, LH | 0       | <b>Undervoltage Interrupt:</b><br>1 = Undervoltage event interrupt pending<br>0 = No undervoltage event pending          |
| 14    | Overvoltage Interrupt            | RO, LH | 0       | <b>Overvoltage Interrupt:</b><br>1 = Overvoltage event interrupt pending<br>0 = No overvoltage event pending             |
| 13:12 | Reserved                         | RO, LH | 0       | Reserved   |
| 11    | Overtemperature Interrupt        | RO, LH | 0       | <b>Overtemperature Interrupt:</b><br>1 = Overtemperature event interrupt pending<br>0 = No overtemperature event pending |
| 10    | Sleep Mode Interrupt             | RO, LH | 0       | <b>Sleep Mode Interrupt:</b><br>1 = Sleep mode event interrupt is pending<br>0 = No Sleep mode event pending             |
| 9     | Polarity Change Interrupt        | RO, LH | 0       | <b>Polarity Change Interrupt:</b><br>1 = Data polarity change interrupt pending<br>0 = No Data polarity even pending     |
| 8     | Jabber Detect Interrupt          | RO, LH | 0       | <b>Jabber Detect Interrupt:</b><br>1 = Jabber detect event interrupt pending<br>0 = No Jabber detect event pending       |
| 7     | Undervoltage Interrupt Enable    | RW     | 0       | <b>Enable</b> interrupt on undervoltage event  |
| 6     | Overvoltage Interrupt Enable     | RW     | 0       | <b>Enable</b> interrupt on overvoltage event   |
| 5 :4  | Reserved                         | RO     | 0       | Reserved   |
| 3     | Overtemperature Interrupt Enable | RW     | 0       | <b>Enable</b> interrupt on overtemperature event   |
| 2     | Sleep Mode Event Enable          | RW     | 0       | <b>Enable</b> Interrupt on sleep mode event  |
| 1     | Polarity Change Interrupt Enable | RW     | 0       | <b>Enable</b> Interrupt on change of polarity status   |
| 0     | Jabber Detect Interrupt Enable   | RW     | 0       | <b>Enable</b> Interrupt on Jabber detection event  |

**8.6.12 FCSCR Register 0x0014 – False Carrier Sense Counter Register**
**☒ 39. False Carrier Sense Counter Register (FCSCR)**

|                             |    |    |    |    |    |   |   |
|-----------------------------|----|----|----|----|----|---|---|
| 15                          | 14 | 13 | 12 | 11 | 10 | 9 | 8 |
| Reserved                    |    |    |    |    |    |   |   |
| RO-0                        |    |    |    |    |    |   |   |
| 7                           | 6  | 5  | 4  | 3  | 2  | 1 | 0 |
| False Carrier Event Counter |    |    |    |    |    |   |   |
| RO/COR-0                    |    |    |    |    |    |   |   |

**表 35. FCSCR Field Descriptions**

| BIT  | FIELD                       | TYPE       | DEFAULT | DESCRIPTION   |
|------|-----------------------------|------------|---------|---|
| 15:8 | Reserved                    | RO         | 0       | Reserved  |
| 7:0  | False Carrier Event Counter | RO,<br>COR | 0       | <b>False Carrier Event Counter:</b><br>This 8-bit counter increments on every false carrier event. This counter stops when it reaches its maximum count (0xFF). When the counter exceeds half-full (0x7F), an interrupt event is generated. This register is cleared on read. |

**8.6.13 RECR Register 0x0015 – Receive Error Count Register**
**☒ 40. Receive Error Count Register (RECR)**

|                       |    |    |    |    |    |   |   |
|-----------------------|----|----|----|----|----|---|---|
| 15                    | 14 | 13 | 12 | 11 | 10 | 9 | 8 |
| Receive Error Counter |    |    |    |    |    |   |   |
| RO/COR-0              |    |    |    |    |    |   |   |
| 7                     | 6  | 5  | 4  | 3  | 2  | 1 | 0 |
| Receive Error Counter |    |    |    |    |    |   |   |
| RO/COR-0              |    |    |    |    |    |   |   |

**表 36. RECR Field Descriptions**

| BIT  | FIELD                 | TYPE       | DEFAULT | DESCRIPTION   |
|------|-----------------------|------------|---------|---|
| 15:0 | Receive Error Counter | RO,<br>COR | 0       | <b>RX_ER Counter:</b><br>When a valid carrier is presented (only while RX_DV is set), and there is at least one occurrence of an invalid data symbol, this 16-bit counter increments for each receive error detected. The RX_ER counter does not count in xMII loopback mode. The counter stops when it reaches its maximum count (0xFFFF). When the counter exceeds half-full (0x7FFF), an interrupt is generated. This register is cleared on read. |

8.6.14 BISTCR Register 0x0016 – BIST Control Register

☒ 41. BIST Control Register (BISTCR)

|                 |  |                         |  |                  |  |                          |  |                        |  |                        |  |                         |  |          |  |
|-----------------|--|-------------------------|--|------------------|--|--------------------------|--|------------------------|--|------------------------|--|-------------------------|--|----------|--|
| 15              |  | 14                      |  | 13               |  | 12                       |  | 11                     |  | 10                     |  | 9                       |  | 8        |  |
| Reserved        |  | BIST Error Counter Mode |  | PRBS Packet Type |  | Packet Generation Enable |  | PRBS Checker Lock/Sync |  | PRBS Checker Sync Loss |  | Packet Generator Status |  | Reserved |  |
| RO-0            |  | RW-0                    |  | RW-0             |  | RW-0                     |  | RO-0                   |  | RO/LH-0                |  | RO-0                    |  | RO-10    |  |
| 7               |  | 6                       |  | 5                |  | 4                        |  | 3                      |  | 2                      |  | 1                       |  | 0        |  |
| Loopback Select |  |                         |  |                  |  |                          |  |                        |  |                        |  | Reserved                |  |          |  |
| RW-0            |  |                         |  |                  |  |                          |  |                        |  |                        |  | RW-0                    |  |          |  |

表 37. BISTCR Field Descriptions

| BIT | FIELD                    | TYPE   | DEFAULT | DESCRIPTION   |
|-----|--------------------------|--------|---------|---|
| 15  | Reserved                 | RO     | 0       | Reserved  |
| 14  | BIST Error Counter Mode  | RW     | 0       | <b>BIST Error Counter Mode:</b><br>1 = Continuous mode, when the BIST Error counter reaches its max value, a pulse is generated and the counter starts counting from zero again.<br>0 = Single mode, when BIST Error Counter reaches its max value, PRBS checker stops counting.  |
| 13  | PRBS Packet Type         | RW     | 0       | <b>PRBS Packet Type:</b><br>1 = When packet generator is enabled (Bit[12] = '1'), generate continuous packets with PRBS data. When packet generator is disabled, PRBS checker is still enabled.<br>0 = When packet generator is enabled, generate single packet with constant data. PRBS gen/check is disabled.                                   |
| 12  | Packet Generation Enable | RW     | 0       | <b>Packet Generation Enable:</b><br>1 = Enable packet generator with PRBS data<br>0 = Disable packet generator  |
| 11  | PRBS Checker Lock/Sync   | RO     | 0       | <b>PRBS Checker Lock/Sync Indication:</b><br>1 = PRBS checker is locked and synced on received bit stream<br>0 = PRBS checker is not locked   |
| 10  | PRBS Checker Sync Loss   | RO, LH | 0       | <b>PRBS Checker Sync Loss Indication:</b><br>1 = PRBS checker has lost sync<br>0 = PRBS checker has not lost sync   |
| 9   | Packet Generator Status  | RO     | 0       | <b>Packet Generation Status Indication:</b><br>1 = Packet Generator is active and generating packets<br>0 = Packet Generator is off   |
| 8:7 | Reserved                 | RO     | 10      | Reserved  |
| 6:2 | Loopback Select          | RW     | 0       | <b>Loopback Select:</b><br><b>Bits[5:2]</b><br>0000 = Normal operation<br>0001 = PCS Loopback<br>0010 = Analog Loopback<br>0100 = Reverse Loopback<br>1000 = Reserved<br><b>Bit[6]:</b><br>1 = Transmit data to the MDI in xMII Loopback<br>0 = Suppress data to the MDI in xMII Loopback<br><b>Note:</b> Bit[6] can only be set in xMII Loopback |
| 1:0 | Reserved                 | RW     | 0       | Reserved  |



**8.6.15 xMII\_CTRL Register 0x0017 – xMII Control Register**
**☒ 42. xMII Control Register (xMII\_CTRL)**

|              |  |          |  |                                     |  |                                     |  |                         |  |                          |  |  |  |   |  |
|--------------|--|----------|--|-------------------------------------|--|-------------------------------------|--|-------------------------|--|--------------------------|--|--|--|---|--|
| 15           |  | 14       |  | 13                                  |  | 12                                  |  | 11                      |  | 10                       |  | 9                                      |  | 8 |  |
| Reserved     |  |          |  | RGMII RX<br>Clock Internal<br>Delay |  | RGMII TX<br>Clock Internal<br>Delay |  | Reserved                |  | RGMII Mode               |  | Reserved                               |  |   |  |
| RW-010       |  |          |  | RW/Strap                            |  | RW/Strap                            |  | RW-0                    |  | RW/Strap                 |  | RW-0                                   |  |   |  |
| 7            |  | 6        |  | 5                                   |  | 4                                   |  | 3                       |  | 2                        |  | 1                                      |  | 0 |  |
| Clock Select |  | Reserved |  | RMII Mode                           |  | RMII Revision<br>Select             |  | RMII Overflow<br>Status |  | RMII Underflow<br>Status |  | RMII Receive Elasticity Buffer<br>Size |  |   |  |
| RW/Strap     |  | RW-1     |  | RW/Strap                            |  | RW-0                                |  | RO/COR-0                |  | RO/COR-0                 |  | RW-01                                  |  |   |  |

**表 38. xMII\_CTRL Field Descriptions**

| BIT   | FIELD                         | TYPE       | DEFAULT | DESCRIPTION  |
|-------|-------------------------------|------------|---------|--|
| 15:13 | Reserved                      | RW         | 010     | Reserved   |
| 12    | RGMII RX Clock Internal Delay | RW         | Strap   | <b>RGMII RX Clock Internal Delay:</b><br>1 = Receive path internal clock delay is enabled<br>0 = Receive path internal clock delay is disabled<br><b>Note:</b> When enabled, receive path internal clock (RX_CLK) is delayed by 2ns relative to receive data. When disabled, data and clock are in align mode.     |
| 11    | RGMII TX Clock Internal Delay | RW         | Strap   | <b>RGMII TX Clock Internal Delay:</b><br>1 = Transmit path internal clock delay is enabled<br>0 = Transmit path internal clock delay is disabled<br><b>Note:</b> When enabled, transmit path internal clock (TX_CLK) is delayed by 2ns relative to transmit data. When disabled, data and clock are in align mode. |
| 10    | Reserved                      | RW         | 0       | Reserved   |
| 9     | RGMII Mode                    | RW         | Strap   | <b>RGMII Mode Enable:</b><br>1 = Enable RGMII mode of operation<br>0 = Mode determined by Bit[5]   |
| 8     | Reserved                      | RW         | 0       | Reserved   |
| 7     | Clock Select                  | RW         | Strap   | <b>Reference Clock Select:</b><br>Strap determines the clock reference requirement.<br>1 = 50-MHz clock reference, CMOS-level oscillator<br>0 = 25-MHz clock reference, crystal or CMOS-level oscillator   |
| 6     | Reserved                      | RW         | 1       | Reserved   |
| 5     | RMII Mode                     | RW         | Strap   | <b>RMII Mode Enable:</b><br>1 = Enable RMII mode of operation<br>0 = Enable MII mode of operation  |
| 4     | RMII Revision Select          | RW         | 0       | <b>RMII Revision Select:</b><br>1 = RMII Revision 1.0<br>0 = RMII Revision 1.2<br>RMII revision 1.0, CRS_DV will remain asserted until final data is transferred. CRS_DV will not toggle at the end of a packet.<br>RMII revision 1.2, CRS_DV will toggle at the end of a packet to indicate de-assertion of CRS.  |
| 3     | RMII Overflow Status          | RO,<br>COR | 0       | <b>RX FIFO Overflow Status:</b><br>1 = Normal<br>0 = Overflow detected   |
| 2     | RMII Underflow Status         | RO,<br>COR | 0       | <b>RX FIFO Underflow Status:</b><br>1 = Normal<br>0 = Underflow detected   |

**表 38. xMII\_CTRL Field Descriptions (continued)**

| BIT | FIELD                               | TYPE | DEFAULT | DESCRIPTION   |
|-----|-------------------------------------|------|---------|---|
| 1:0 | RMII Receive Elasticity Buffer Size | RW   | 01      | <b>Receive Elasticity Buffer Size:</b><br>This field controls the Receive Elasticity Buffer which allows for frequency variation tolerance between the 50-MHz RMII clock and the recovered data. The following values indicate the tolerance in bits for a single packet. The minimum setting allows for standard Ethernet frame sizes at $\pm 100$ ppm accuracy.<br>00 = 5-bit tolerance (up to 8750 byte packets)<br>01 = 2-bit tolerance (up to 1250 byte packets)<br>10 = 3-bit tolerance (up to 3750 byte packets)<br>11 = 4-bit tolerance (up to 6250 byte packets) |

**8.6.16 INT\_STAT3 Register 0x0018 – Interrupt Status Register #3**
**☒ 43. Interrupt Status Register #3 (INT\_STAT3)**

| 15       | 14 | 13 | 12                        | 11                                 | 10       | 9 | 8                    |
|----------|----|----|---------------------------|------------------------------------|----------|---|----------------------|
| Reserved |    |    | POR Done Interrupt        | No Frame Detected Interrupt        | Reserved |   | LPS Interrupt        |
| RO-0     |    |    | RO/LH-0                   | RO/LH-0                            | RO/LH-0  |   | RO/LH-0              |
| 7        | 6  | 5  | 4                         | 3                                  | 2        | 1 | 0                    |
| Reserved |    |    | POR Done Interrupt Enable | No Frame Detected Interrupt Enable | Reserved |   | LPS Interrupt Enable |
| RO-0     |    |    | RW-1                      | RW-0                               | RW-0     |   | RW-0                 |

**表 39. INT\_STAT3 Field Descriptions**

| BIT   | FIELD                              | TYPE   | DEFAULT | DESCRIPTION  |
|-------|------------------------------------|--------|---------|--|
| 15:13 | Reserved                           | RO     | 0       | Reserved   |
| 12    | POR Done Interrupt                 | RO, LH | 0       | <b>POR Done Interrupt:</b><br>1 = POR done event pending<br>0 = No POR done event pending                      |
| 11    | No Frame Detected Interrupt        | RO, LH | 0       | <b>No Frame Detection Interrupt:</b><br>1 = No Frame Detection event interrupt pending<br>0 = No event pending |
| 10:9  | Reserved                           | RO, LH | 0       | Reserved   |
| 8     | LPS Interrupt                      | RO, LH | 0       | <b>LPS Interrupt:</b><br>1 = LPS event interrupt is pending<br>0 = No LPS event pending                        |
| 7:5   | Reserved                           | RO     | 0       | Reserved   |
| 4     | POR Done Interrupt Enable          | RW     | 1       | <b>Enable</b> interrupt on POR Done event.   |
| 3     | No Frame Detected Interrupt Enable | RW     | 0       | <b>Enable</b> interrupt on No Frame Detection event  |
| 2:1   | Reserved                           | RW     | 0       | Reserved   |
| 0     | LPS Interrupt Enable               | RW     | 0       | <b>Enable</b> interrupt on LPS event   |

**8.6.17 BICTSR1 Register 0x001B – BIST Control and Status Register #1**
**☒ 44. BIST Control and Status Register #1 (BICTSR1)**

|                  |    |    |    |    |    |   |   |
|------------------|----|----|----|----|----|---|---|
| 15               | 14 | 13 | 12 | 11 | 10 | 9 | 8 |
| BIST Error Count |    |    |    |    |    |   |   |
| RW-0             |    |    |    |    |    |   |   |
| 7                | 6  | 5  | 4  | 3  | 2  | 1 | 0 |
| BIST IPG Length  |    |    |    |    |    |   |   |
| RW-0111 1101     |    |    |    |    |    |   |   |

**表 40. BICTSR1 Field Descriptions**

| BIT  | FIELD            | TYPE | DEFAULT   | DESCRIPTION   |
|------|------------------|------|-----------|---|
| 15:8 | BIST Error Count | RO   | 0         | <b>BIST Error Count:</b><br>Holds number of errored bytes received by the PRBS checker. Value in this register is locked and cleared when write is done to Bit[15]. When BIST Error Counter Mode is set to '0', count stops on 0xFF (see register 0x16)<br>Note: Writing '1' to Bit[15] will lock the counter's value for successive read operation and clear the BIST Error Counter. |
| 7:0  | BIST IPG Length  | RW   | 0111 1101 | <b>BIST IPG Length:</b><br>Inter Packet Gap (IPG) Length defines the size of the gap (in 4 byte increments) between any 2 successive packets generated by the BIST.<br>Default value is 0x7D:<br>0x7D to decimal conversion = 125<br>125 * 4 bytes = 500 bytes (default)  |

**8.6.18 BICTSR2 Register 0x001C – BIST Control and Status Register #2**
**☒ 45. BIST Control and Status Register #2 (BICTSR2)**

|                    |    |    |    |    |                    |   |   |
|--------------------|----|----|----|----|--------------------|---|---|
| 15                 | 14 | 13 | 12 | 11 | 10                 | 9 | 8 |
| Reserved           |    |    |    |    | BIST Packet Length |   |   |
| RO-0               |    |    |    |    | RW-101 1110 1110   |   |   |
| 7                  | 6  | 5  | 4  | 3  | 2                  | 1 | 0 |
| BIST Packet Length |    |    |    |    |                    |   |   |
| RW-101 1110 1110   |    |    |    |    |                    |   |   |

**表 41. BICTSR2 Field Description**

| BIT   | FIELD              | TYPE | DEFAULT       | DESCRIPTION   |
|-------|--------------------|------|---------------|---|
| 15:11 | Reserved           | RO   | 0             | Reserved  |
| 10:0  | BIST Packet Length | RW   | 101 1110 1110 | <b>BIST Packet Length:</b><br>Length of the generated BIST packets. The value of this register defines the size (in bytes) of every packet that is generated by the BIST. Default value is 0x5EE, which is equal to 1514 bytes. |

8.6.19 TDR Register 0x001E – Time Domain Reflectometry Register

☒ 46. Time Domain Reflectometry Register (TDR)

|           |    |          |    |      |    |            |               |
|-----------|----|----------|----|------|----|------------|---------------|
| 15        | 14 | 13       | 12 | 11   | 10 | 9          | 8             |
| TDR Start |    | Reserved |    |      |    |            |               |
| RW/SC-0   |    |          |    | RO-0 |    |            |               |
| 7         | 6  | 5        | 4  | 3    | 2  | 1          | 0             |
|           |    |          |    |      |    | TDR Status | TDR Test Fail |
|           |    |          |    |      |    | RO-0       | RO-0          |

表 42. TDR Field Descriptions

| BIT  | FIELD         | TYPE   | DEFAULT | DESCRIPTION   |
|------|---------------|--------|---------|---|
| 15   | TDR Start     | RW, SC | 0       | <b>TDR Start:</b><br>1 = Start cable measurement<br>0 = Cable Diagnostic is disabled                                    |
| 14:2 | Reserved      | RO     | 0       | Reserved  |
| 1    | TDR Status    | RO     | 0       | <b>TDR Done:</b><br>1 = Indication that cable measurement process is complete<br>0 = Cable Diagnostic had not completed |
| 0    | TDR Test Fail | RO     | 0       | <b>TDR Process Fail:</b><br>1 = Indication that cable measurement process failed<br>0 = Cable Diagnostic has not failed |

8.6.20 PHYRCR Register 0x001F – PHY Reset Control Register

☒ 47. PHY Reset Control Register (PHYRCR)

|                |                |          |    |      |    |   |   |
|----------------|----------------|----------|----|------|----|---|---|
| 15             | 14             | 13       | 12 | 11   | 10 | 9 | 8 |
| Hardware Reset | Software reset | Reserved |    |      |    |   |   |
| RW/SC-0        |                | RW/SC-0  |    | RW-0 |    |   |   |
| 7              | 6              | 5        | 4  | 3    | 2  | 1 | 0 |
| Standby Mode   | Reserved       |          |    |      |    |   |   |
| RW-0           |                |          |    | RW-0 |    |   |   |

表 43. PHYRCR Field Descriptions

| BIT  | FIELD          | TYPE   | DEFAULT | DESCRIPTION  |
|------|----------------|--------|---------|--|
| 15   | Hardware Reset | RW, SC | 0       | <b>Hardware Reset:</b><br>1 = Reset PHY. This bit is self cleared and has the same effect as the RESET pin.<br>0 = Normal Operation          |
| 14   | Software reset | RW, SC | 0       | <b>Software Restart:</b><br>1 = Restart PHY. This bit is self cleared and resets all PHY circuitry except registers.<br>0 = Normal Operation |
| 13:8 | Reserved       | RW     | 0       | Reserved   |
| 7    | Standby Mode   | RW     | 0       | <b>Standby Mode:</b><br>1 = Standby mode enabled<br>0 = Normal operation   |
| 6:0  | Reserved       | RW     | 0       | Reserved   |

**8.6.21 LSR Register 0x0133 – Link Status Results Register**
**☒ 48. Link Status Results Register (LSR)**

|          |    |    |             |                |                |                       |                        |
|----------|----|----|-------------|----------------|----------------|-----------------------|------------------------|
| 15       | 14 | 13 | 12          | 11             | 10             | 9                     | 8                      |
| Reserved |    |    | Link Status | Reserved       |                |                       |                        |
| RO-0     |    |    | RO-0        | RO-0101 1110 0 |                |                       |                        |
| 7        | 6  | 5  | 4           | 3              | 2              | 1                     | 0                      |
|          |    |    |             |                | Scrambler Lock | Local Receiver Status | Remote Receiver Status |
|          |    |    |             |                | RO-0           | RO-0                  | RO-0                   |

**表 44. LSR Field Descriptions**

| BIT   | FIELD                  | TYPE | DEFAULT     | DESCRIPTION  |
|-------|------------------------|------|-------------|--|
| 15:13 | Reserved               | RO   | 0           | Reserved   |
| 12    | Link Status            | RO   | 0           | <b>Unlatched Link Status:</b><br>1 = Valid Link Established<br>0 = No Link                                   |
| 11:3  | Reserved               | RO   | 0101 1110 0 | Reserved   |
| 2     | Scrambler Lock         | RO   | 0           | <b>Scrambler Lock:</b><br>1 = Scrambler Locked<br>0 = Scrambler Not Locked                                   |
| 1     | Local Receiver Status  | RO   | 0           | <b>Local Receiver Status:</b><br>1 = Local PHY received link valid<br>0 = Local PHY received link invalid    |
| 0     | Remote Receiver Status | RO   | 0           | <b>Remote Receiver Status:</b><br>1 = Remote PHY received link valid<br>0 = Remote PHY received link invalid |

**8.6.22 TDRR Register 0x016B – TDR Results Register**
**☒ 49. TDR Results Register (TCRR)**

|                |    |    |    |    |    |              |            |
|----------------|----|----|----|----|----|--------------|------------|
| 15             | 14 | 13 | 12 | 11 | 10 | 9            | 8          |
| Reserved       |    |    |    |    |    | Fault Status | Fault Type |
| RO-0           |    |    |    |    |    | RO-0         | RO-0       |
| 7              | 6  | 5  | 4  | 3  | 2  | 1            | 0          |
| Fault Location |    |    |    |    |    |              |            |
| RO-0           |    |    |    |    |    |              |            |

**表 45. TDRR Field Descriptions**

| BIT   | FIELD          | TYPE | DEFAULT | DESCRIPTION  |
|-------|----------------|------|---------|--|
| 15:10 | Reserved       | RO   | 0       | Reserved   |
| 9     | Fault Status   | RO   | 0       | <b>Fault Status:</b><br>1 = Fault Detected<br>0 = No Fault Detected  |
| 8     | Fault Type     | RO   | 0       | <b>Fault Type:</b><br>1 = SHORT Fault<br>0 = OPEN Fault<br><b>Note:</b> Only valid when bit[9] = 1.  |
| 7:0   | Fault Location | RO   | 0       | <b>Fault Location:</b><br>To calculate fault location in meters, convert binary field to decimal form and multiply by 1.5.<br><b>Note:</b> Only valid when bit[9] = 1. |

**8.6.23 TDRLR1 Register 0x0180 – TDR Location Result Register #1**
**☒ 50. TDR Location Result Register #1 (TDRLR1)**

|            |    |    |    |    |    |   |   |
|------------|----|----|----|----|----|---|---|
| 15         | 14 | 13 | 12 | 11 | 10 | 9 | 8 |
| Location 2 |    |    |    |    |    |   |   |
| RO-0       |    |    |    |    |    |   |   |
| 7          | 6  | 5  | 4  | 3  | 2  | 1 | 0 |
| Location 1 |    |    |    |    |    |   |   |
| RO-0       |    |    |    |    |    |   |   |

**表 46. TDRLR1 Field Descriptions**

| BIT  | FIELD      | TYPE | DEFAULT | DESCRIPTION   |
|------|------------|------|---------|---|
| 15:8 | Location 2 | RO   | 0       | Location of the Second peak discovered by the TDR mechanism.<br>Distance in meters = 1.5 * (convert bit field to decimal - 4) |
| 7:0  | Location 1 | RO   | 0       | Location of the First peak discovered by the TDR mechanism.<br>Distance in meters = 1.5 * (convert bit field to decimal - 4)  |

**8.6.24 TDRLR2 Register 0x0181 – TDR Location Result Register #2**
**☒ 51. TDR Location Result Register #2**

|            |    |    |    |    |    |   |   |
|------------|----|----|----|----|----|---|---|
| 15         | 14 | 13 | 12 | 11 | 10 | 9 | 8 |
| Location 4 |    |    |    |    |    |   |   |
| RO-0       |    |    |    |    |    |   |   |
| 7          | 6  | 5  | 4  | 3  | 2  | 1 | 0 |
| Location 3 |    |    |    |    |    |   |   |
| RO-0       |    |    |    |    |    |   |   |

**表 47. TDRLR2 Field Descriptions**

| BIT  | FIELD      | TYPE | DEFAULT | DESCRIPTION   |
|------|------------|------|---------|---|
| 15:8 | Location 4 | RO   | 0       | Location of the Fourth peak discovered by the TDR mechanism.<br>Distance in meters = 1.5 * (convert bit field to decimal - 4) |
| 7:0  | Location 3 | RO   | 0       | Location of the Third peak discovered by the TDR mechanism.<br>Distance in meters = 1.5 * (convert bit field to decimal - 4)  |

**8.6.25 TDRPT Register 0x018A – TDR Peak Type Register**
**☒ 52. TDR Peak Type Register (TDRPT)**

|          |             |             |             |             |          |   |   |
|----------|-------------|-------------|-------------|-------------|----------|---|---|
| 15       | 14          | 13          | 12          | 11          | 10       | 9 | 8 |
| Reserved | Peak 4 Type | Peak 3 Type | Peak 2 Type | Peak 1 Type | Reserved |   |   |
| RO-0     | RO-0        | RO-0        | RO-0        | RO-0        | RO-0     |   |   |
| 7        | 6           | 5           | 4           | 3           | 2        | 1 | 0 |
| Reserved |             |             |             |             |          |   |   |
| RO-0     |             |             |             |             |          |   |   |

**表 48. TDRPT Field Descriptions**

| BIT  | FIELD       | TYPE | DEFAULT | DESCRIPTION   |
|------|-------------|------|---------|---|
| 15   | Reserved    | RO   | 0       | Reserved  |
| 14   | Peak 4 Type | RO   | 0       | <b>Peak 4 Polarity Detection:</b><br>1 = Negative Polarity<br>0 = Positive Polarity<br>Negative polarity detection can be caused by a SHORT.<br>Positive polarity detection can be caused by an OPEN.<br><b>Note:</b> only valid when bits[15:8] in register 0x181 is not zero. |
| 13   | Peak 3 Type | RO   | 0       | <b>Peak 3 Polarity Detection:</b><br>1 = Negative Polarity<br>0 = Positive Polarity<br>Negative polarity detection can be caused by a SHORT.<br>Positive polarity detection can be caused by an OPEN.<br><b>Note:</b> only valid when bits[7:0] in register 0x181 is not zero.  |
| 12   | Peak 2 Type | RO   | 0       | <b>Peak 2 Polarity Detection:</b><br>1 = Negative Polarity<br>0 = Positive Polarity<br>Negative polarity detection can be caused by a SHORT.<br>Positive polarity detection can be caused by an OPEN.<br><b>Note:</b> only valid when bits[15:8] in register 0x180 is not zero. |
| 11   | Peak 1 Type | RO   | 0       | <b>Peak 1 Polarity Detection:</b><br>1 = Negative Polarity<br>0 = Positive Polarity<br>Negative polarity detection can be caused by a SHORT.<br>Positive polarity detection can be caused by an OPEN.<br><b>Note:</b> only valid when bits[7:0] in register 0x180 is not zero.  |
| 10:0 | Reserved    | RO   | 0       | Reserved  |

**8.6.26 AUTO\_PHY Register 0x018B – Autonomous PHY Control Register**
**☒ 53. Autonomous PHY Control Register (AUTO\_PHY)**

|              |                       |          |    |    |    |              |                               |
|--------------|-----------------------|----------|----|----|----|--------------|-------------------------------|
| 15           | 14                    | 13       | 12 | 11 | 10 | 9            | 8                             |
| Reserved     |                       |          |    |    |    |              |                               |
| RW-0         |                       |          |    |    |    |              |                               |
| 7            | 6                     | 5        | 4  | 3  | 2  | 1            | 0                             |
|              | Autonomous<br>Command | Reserved |    |    |    | Sleep Enable | LPS<br>Transmission<br>Enable |
| RW/COR/Strap |                       | RW-01 10 |    |    |    | RW-1         | RW-0                          |

**表 49. AUTO\_PHY Field Descriptions**

| BIT  | FIELD                   | TYPE       | DEFAULT | DESCRIPTION   |
|------|-------------------------|------------|---------|---|
| 15:7 | Reserved                | RW         | 0       | Reserved  |
| 6    | Autonomous Command      | RW,<br>COR | Strap   | <b>Autonomous Command:</b><br>1 = Device in Autonomous operation<br>0 = Device in Managed operation<br><b>Note:</b> This bit is a one-time event. Once written to or read, the bit will always read 0b0. Managed mode can only be entered at power-up or reset when the bootstrap is sampled. |
| 5:2  | Reserved                | RW         | 01 10   | Reserved  |
| 1    | Sleep Enable            | RW         | 1       | <b>Sleep Enable:</b><br>1 = Sleep enabled<br>0 = Standby enabled<br>The device will transition to Sleep state after negotiating with a Link Partner if this bit is set. Otherwise, once LPS negotiation is complete, the device will transition to Standby.                                   |
| 0    | LPS Transmission Enable | RW         | 0       | <b>LPS Transmission Enable:</b><br>1 = Device allowed to send LPS code-groups<br>0 = No LPS code-groups enabled<br>Device is only allowed to send LPS code-groups when this bit is set.   |



**8.6.27 PWRM Register 0x018C – Power Mode Register**
**☒ 54. Power Mode Register (PWRM)**

|          |    |    |    |    |    |                       |                |
|----------|----|----|----|----|----|-----------------------|----------------|
| 15       | 14 | 13 | 12 | 11 | 10 | 9                     | 8              |
| Reserved |    |    |    |    |    |                       |                |
| RW-0     |    |    |    |    |    |                       |                |
| 7        | 6  | 5  | 4  | 3  | 2  | 1                     | 0              |
| Reserved |    |    |    |    |    | Sleep Request Command | Normal Command |
| RW-0     |    |    |    |    |    | RW-0                  | RW/SC-0        |

**表 50. PWRM Register 0x018C – Power Mode Register**

| BIT  | FIELD                 | TYPE   | DEFAULT | DESCRIPTION   |
|------|-----------------------|--------|---------|---|
| 15:2 | Reserved              | RW     | 0       | Reserved  |
| 1    | Sleep Request Command | RW     | 0       | <b>Sleep Request Command:</b><br>1 = Device will transmit LPS code-groups<br>0 = Normal operation   |
| 0    | Normal Command        | RW, SC | 0       | <b>Normal Command:</b><br>1 = Device forced to Normal state<br>0 = Normal operation<br>Self-cleared only when PHY moves from Standby to Normal state. Bit is not cleared on any other transition. |

**8.6.28 SNR Register 0x0197 – Signal-to-Noise Ratio Result Register**
**☒ 55. Signal-to-Noise Ratio Result Register (SNR)**

|          |    |    |    |    |    |   |      |
|----------|----|----|----|----|----|---|------|
| 15       | 14 | 13 | 12 | 11 | 10 | 9 | 8    |
| Reserved |    |    |    |    |    |   | SNR  |
| RO-0     |    |    |    |    |    |   | RO-0 |
| 7        | 6  | 5  | 4  | 3  | 2  | 1 | 0    |
| SNR      |    |    |    |    |    |   |      |
| RO-0     |    |    |    |    |    |   |      |

**表 51. SNR Field Descriptions**

| BIT  | FIELD    | TYPE | DEFAULT | DESCRIPTION   |
|------|----------|------|---------|---|
| 15:9 | Reserved | RO   | 0       | Reserved  |
| 8:0  | SNR      | RO   | 0       | <b>Signal-to-Noise Ratio:</b> Value contained within bit field contains 10*SNR (dB). To obtain SNR (dB) convert binary value to decimal form and divide by 10.<br><b>Note:</b> Only valid when link is established. |

**8.6.29 SQI Register 0x0198 – Signal Quality Indication Register**
**☒ 56. Signal Quality Indication Register (SQI)**

|          |    |    |    |    |    |      |   |
|----------|----|----|----|----|----|------|---|
| 15       | 14 | 13 | 12 | 11 | 10 | 9    | 8 |
| Reserved |    |    |    |    |    | SQS  |   |
| RO-0     |    |    |    |    |    | RO-0 |   |
| 7        | 6  | 5  | 4  | 3  | 2  | 1    | 0 |
| SQI      |    |    |    |    |    |      |   |
| RO-0     |    |    |    |    |    |      |   |

**表 52. SQI Field Descriptions**

| BIT   | FIELD    | TYPE | DEFAULT | DESCRIPTION  |
|-------|----------|------|---------|--|
| 15:10 | Reserved | RO   | 0       | Reserved   |
| 9:8   | SQS      | RO   | 0       | <b>Signal Quality Status:</b><br>00 = No Link<br>01 = Poor Link, Intermittent Link<br>10 = Good Link quality<br>11 = Excellent Link quality  |
| 7:0   | SQI      | RO   | 0       | <b>Signal Quality Indication:</b> Value contained within bit field contains SQI and directly relates to the Signal Quality Status bit field. Convert binary value to decimal to obtain SQI.<br>SQI > 70 -- Excellent Link quality<br>40 < SQI < 70 -- Good Link quality<br>SQI < 40 -- Intermittent or No Link |

**8.6.30 LD\_CTRL Register 0x0400 – Line Driver Control Register**
**☒ 57. Line Driver Control Register (LD\_CTRL)**

|              |    |    |                                |    |    |   |   |
|--------------|----|----|--------------------------------|----|----|---|---|
| 15           | 14 | 13 | 12                             | 11 | 10 | 9 | 8 |
| Reserved     |    |    | Line Driver Series Termination |    |    |   |   |
| RW-000       |    |    | RW-1 0000                      |    |    |   |   |
| 7            | 6  | 5  | 4                              | 3  | 2  | 1 | 0 |
| Reserved     |    |    |                                |    |    |   |   |
| RW-0000 0000 |    |    |                                |    |    |   |   |

**表 53. LD\_CTRL Field Descriptions**

| BIT   | FIELD                          | TYPE | DEFAULT   | DESCRIPTION  |
|-------|--------------------------------|------|-----------|--|
| 15:13 | Reserved                       | RW   | 000       | Reserved   |
| 12:8  | Line Driver Series Termination | RW   | 1 0000    | <b>Line Driver Series Termination Control:</b><br>0 0000 = 70 Ω<br>0 0001 = 67.7 Ω<br>0 0010 = 65.6 Ω<br>0 0011 = 63.6 Ω<br>0 0100 = 61.7 Ω<br>0 0101 = 60 Ω<br>0 0110 = 58.3 Ω<br>0 0111 = 56.7 Ω<br>0 1000 = 55.2 Ω<br>0 1001 = 53.8 Ω<br>0 1010 = 52.5 Ω<br>0 1011 = 51.2 Ω<br>0 1100 = 50 Ω<br>0 1101 = 48.8 Ω<br>0 1110 = 47.7 Ω<br>0 1111 = 46.6 Ω<br>1 0000 = 45.6 Ω (default)<br>1 0001 = 44.7 Ω<br>1 0010 = 43.7 Ω<br>1 0011 = 42.8 Ω<br>1 0100 = 42 Ω<br>1 0101 = 41 Ω<br>1 0110 = 40.4 Ω<br>1 0111 = 39.6 Ω<br>1 1000 = 38.9 Ω<br>1 1001 = 38.2 Ω<br>1 1010 = 37.5 Ω<br>1 1011 = 36.8 Ω<br>1 1100 = 36.2 Ω<br>1 1101 = 35.6 Ω<br>1 1110 = 35 Ω<br>1 1111 = 34.4 Ω |
| 7:0   | Reserved                       | RW   | 0000 0000 | Reserved   |

8.6.31 LDG\_CTRL1 Register 0x0401 – Line Driver Gain Control Register #1

☒ 58. Line Driver Gain Control Register (LDG\_CTRL1)

|          |    |    |    |                         |    |   |   |
|----------|----|----|----|-------------------------|----|---|---|
| 15       | 14 | 13 | 12 | 11                      | 10 | 9 | 8 |
| Reserved |    |    |    |                         |    |   |   |
| RW-0     |    |    |    |                         |    |   |   |
| 7        | 6  | 5  | 4  | 3                       | 2  | 1 | 0 |
|          |    |    |    | Fine Gain Control - MDI |    |   |   |
| RW-1010  |    |    |    |                         |    |   |   |

表 54. LDG\_CTRL1 Field Descriptions

| BIT  | FIELD                   | TYPE | DEFAULT | DESCRIPTION   |
|------|-------------------------|------|---------|---|
| 15:4 | Reserved                | RW   | 0       | Reserved  |
| 3:0  | Fine Gain Control - MDI | RW   | 1010    | <b>Line Driver Differential Swing Control:</b><br>0000 = - 16% change in gain<br>0001 = - 14% change in gain<br>0010 = - 12% change in gain<br>0011 = - 10% change in gain<br>0100 = - 8% change in gain<br>0101 = - 6% change in gain<br>0110 = - 4% change in gain<br>0111 = - 2% change in gain<br>1000 = No change in gain<br>1001 = + 2% change in gain<br>1010 = + 4% change in gain<br>1011 = + 6% change in gain<br>1100 = + 8% change in gain<br>1101 = + 10% change in gain<br>1110 = + 12% change in gain<br>1111 = + 14% change in gain |

8.6.32 LDG\_CTRL2 Register 0x0402 – Line Driver Control Register #2

☒ 59. Line Driver Control Register #2 (LDG\_CTRL1)

|                     |    |    |    |                           |    |   |   |
|---------------------|----|----|----|---------------------------|----|---|---|
| 15                  | 14 | 13 | 12 | 11                        | 10 | 9 | 8 |
| Reserved            |    |    |    |                           |    |   |   |
| RW-0000 0011 1000 0 |    |    |    |                           |    |   |   |
| 7                   | 6  | 5  | 4  | 3                         | 2  | 1 | 0 |
|                     |    |    |    | Coarse Gain Control - MDI |    |   |   |
| RW-011              |    |    |    |                           |    |   |   |

表 55. LDG\_CTRL1 Field Descriptions

| BIT  | FIELD                     | TYPE | DEFAULT             | DESCRIPTION   |
|------|---------------------------|------|---------------------|---|
| 15:3 | Reserved                  | RW   | 0000 0011<br>1000 0 | Reserved  |
| 2:0  | Coarse Gain Control - MDI | RW   | 011                 | <b>Line Driver Differential Swing Control:</b><br>000 = - 60% change in gain<br>001 = - 40% change in gain<br>010 = - 20% change in gain<br>011 = No change in gain<br>100 = + 20% change in gain<br>101 = + 40% change in gain<br>110 = + 60% change in gain<br>111 = + 80% change in gain |

**8.6.33 DLL\_CTRL 0x0446 – RGMII DLL Control Register**
**☒ 60. RGMII DLL Control Register (DLL\_CTRL)**

|                               |    |    |    |                               |    |   |   |
|-------------------------------|----|----|----|-------------------------------|----|---|---|
| 15                            | 14 | 13 | 12 | 11                            | 10 | 9 | 8 |
| Reserved                      |    |    |    |                               |    |   |   |
| RO-0                          |    |    |    |                               |    |   |   |
| 7                             | 6  | 5  | 4  | 3                             | 2  | 1 | 0 |
| DLL TX Internal Delay Control |    |    |    | DLL RX Internal Delay Control |    |   |   |
| RW-0111                       |    |    |    | RW-0111                       |    |   |   |

**表 56. DLL\_CTRL Field Descriptions**

| BIT  | FIELD                         | TYPE | DEFAULT | DESCRIPTION  |
|------|-------------------------------|------|---------|--|
| 15:8 | Reserved                      | RO   | 0       | Reserved   |
| 7:4  | DLL TX Internal Delay Control | RW   | 0111    | <b>Transmit Internal Delay Control:</b><br>Controls the DLL value in 250-ps steps for the transmit path. Value below is the amount of internal delay on the TX_CLK path induced.<br>0000 = 0.25 ns<br>0001 = 0.50 ns<br>0010 = 0.75 ns<br>0011 = 1.00 ns<br>0100 = 1.25 ns<br>0101 = 1.50 ns<br>0110 = 1.75 ns<br>0111 = 2.00 ns<br>1000 = 2.25 ns<br>1001 = 2.50 ns<br>1010 = 2.75 ns<br>1011 = 3.00 ns<br>1100 = 3.25 ns<br>1101 = 3.50 ns<br>1110 = 3.75 ns<br>1111 = 4.00 ns |
| 3:0  | DLL RX Internal Delay Control | RW   | 0111    | <b>Receive Internal Delay Control:</b><br>Controls the DLL value in 250ps steps for the receive path. Value below is the amount of internal delay on the RX_CLK path induced.<br>0000 = 0.25 ns<br>0001 = 0.50 ns<br>0010 = 0.75 ns<br>0011 = 1.00 ns<br>0100 = 1.25 ns<br>0101 = 1.50 ns<br>0110 = 1.75 ns<br>0111 = 2.00 ns<br>1000 = 2.25 ns<br>1001 = 2.50 ns<br>1010 = 2.75 ns<br>1011 = 3.00 ns<br>1100 = 3.25 ns<br>1101 = 3.50 ns<br>1110 = 3.75 ns<br>1111 = 4.00 ns    |

**8.6.34 ESDS Register 0x0448 – Electrostatic Discharge Status Register**
**☒ 61. Electrostatic Discharge Status Register (ESDS)**

|          |    |                        |    |    |    |   |   |
|----------|----|------------------------|----|----|----|---|---|
| 15       | 14 | 13                     | 12 | 11 | 10 | 9 | 8 |
| Reserved |    | xMII ESD Event Counter |    |    |    |   |   |
| RO-0     |    | RO-0                   |    |    |    |   |   |
| 7        | 6  | 5                      | 4  | 3  | 2  | 1 | 0 |
| Reserved |    | MDI ESD Event Counter  |    |    |    |   |   |
| RO-0     |    | RO-0                   |    |    |    |   |   |

**表 57. ESDS Field Descriptions**

| BIT   | FIELD                  | TYPE | DEFAULT | DESCRIPTION  |
|-------|------------------------|------|---------|--|
| 15:14 | Reserved               | RO   | 0       | Reserved   |
| 13:8  | xMII ESD Event Counter | RO   | 0       | <b>xMII ESD Counter:</b><br>When the integrated ESD structure is activated on the xMII interface, the xMII ESD counter will increment. There is no ESD dead-time built into the counter, which means that even with a single pulse event more than one ESD event could be logged. Counter cleared on power cycle. It cannot be cleared by hardware reset.  |
| 7:6   | Reserved               | RO   | 0       | Reserved   |
| 5:0   | MDI ESD Event Counter  | RO   | 0       | <b>MDI ESD Counter:</b><br>When the integrated ESD structure is activated on the xMII interface, the MDI ESD counter will increment. There is no ESD dead-time built into the counter, which means that even with a single pulse event more than one ESD event could be logged. MDI is in reference to the TRD+ and TRD- pins. Counter cleared on power cycle. It cannot be cleared by hardware reset. |

**8.6.35 LED\_CFG1 Register 0x0460 – LED Configuration Register #1**
**☒ 62. LED Configuration Register #1 (LED\_CFG1)**

|               |    |                        |    |               |               |   |   |
|---------------|----|------------------------|----|---------------|---------------|---|---|
| 15            | 14 | 13                     | 12 | 11            | 10            | 9 | 8 |
| Reserved      |    | LED Blink Rate Control |    |               | LED_2 Control |   |   |
| RW-0          |    | RW-10                  |    |               | RW-0110       |   |   |
| 7             | 6  | 5                      | 4  | 3             | 2             | 1 | 0 |
| LED_1 Control |    |                        |    | LED_0 Control |               |   |   |
| RW-0001       |    |                        |    | RW-0000       |               |   |   |

**表 58. LED\_CFG1 Field Descriptions**

| BIT   | FIELD                  | TYPE | DEFAULT | DESCRIPTION   |
|-------|------------------------|------|---------|---|
| 15:14 | Reserved               | RW   | 0       | Reserved  |
| 13:12 | LED Blink Rate Control | RW   | 10      | <b>Blink Rate Control:</b><br>00 = 20-Hz (50ms)<br>01 = 10-Hz (100ms)<br>10 = 5-Hz (200ms)<br>11 = 2-Hz (500ms)   |
| 11:8  | LED_2 Control          | RW   | 0110    | <b>LED_2 Control:</b><br>Selects the source for LED_2.<br>Use same reference as defined by bits [3:0] in this register.   |
| 7:4   | LED_1 Control          | RW   | 0001    | <b>LED_1 Control:</b><br>Selects the source for LED_1.<br>Use same reference as defined by bits [3:0] in this register.   |
| 3:0   | LED_0 Control          | RW   | 0000    | <b>LED_0 Control:</b><br>Selects the source for LED_0.<br>0000 = LINK OK<br>0001 = LINK OK + RX/TX Activity<br>0010 = LINK OK + TX Activity<br>0011 = LINK OK + RX Activity<br>0100 = LINK OK + 100BASE-T1 100BASE-T1 Master<br>0101 = LINK OK + 100BASE-T1 100BASE-T1 Slave<br>0110 = TX/RX Activity<br>0111 = Reserved<br>1000 = Reserved<br>1001 = Link Lost (remains on until register 0x1 is read)<br>1010 = Blink for PRBS error (remains ON for single error, remains until counter is cleared)<br>1011 = Reserved<br>1100 = Reserved<br>1101 = Reserved<br>1110 = Reserved<br>1111 = Reserved |

**8.6.36 xMII\_IMP\_CTRL Register 0x0461 – xMII Impedance Control Register**
**☒ 63. xMII Impedance Control Register (xMII\_IMP\_CTRL)**

|                  |    |    |    |                        |    |   |          |
|------------------|----|----|----|------------------------|----|---|----------|
| 15               | 14 | 13 | 12 | 11                     | 10 | 9 | 8        |
| Reserved         |    |    |    |                        |    |   |          |
| RW-0000 0100 000 |    |    |    |                        |    |   |          |
| 7                | 6  | 5  | 4  | 3                      | 2  | 1 | 0        |
|                  |    |    |    | xMII Impedance Control |    |   | Reserved |
|                  |    |    |    | RW-1 000               |    |   | RW-0     |

**表 59. xMII\_IMP\_CTRL Field Descriptions**

| BIT  | FIELD                  | TYPE | DEFAULT       | DESCRIPTION   |
|------|------------------------|------|---------------|---|
| 15:5 | Reserved               | RW   | 0000 0100 000 | Reserved  |
| 4:1  | xMII Impedance Control | RW   | 1 000         | <b>MAC Impedance Control:</b><br>MAC Impedance Control sets the series termination value within the DP83TC811R-Q1. This field controls the following pins: RX_D[3:0], RX_CLK, RX_ER, and RX_DV.<br>0 000 = 99 Ω<br>0 001 = 91 Ω<br>0 010 = 84 Ω<br>0 011 = 78 Ω<br>0 100 = 73 Ω<br>0 101 = 69 Ω<br>0 110 = 65 Ω<br>0 111 = 61 Ω<br>1 000 = 58 Ω (default)<br>1 001 = 55 Ω<br>1 010 = 53 Ω<br>1 011 = 50 Ω<br>1 100 = 48 Ω<br>1 101 = 46 Ω<br>1 110 = 44 Ω<br>1 111 = 42 Ω<br>Note: Individual pin control is not supported. |
| 0    | Reserved               | RW   | 0             | Reserved  |



**8.6.37 IO\_CTRL1 Register 0x0462 – GPIO Control Register #1**
**☒ 64. GPIO Control Register #1 (IO\_CTRL1)**

|          |                    |    |    |          |                   |   |   |
|----------|--------------------|----|----|----------|-------------------|---|---|
| 15       | 14                 | 13 | 12 | 11       | 10                | 9 | 8 |
| Reserved | LED_1 Clock Select |    |    | Reserved | LED_1 GPIO Select |   |   |
| RO-0     | RW-000             |    |    | RO-0     | RW-000            |   |   |
| 7        | 6                  | 5  | 4  | 3        | 2                 | 1 | 0 |
| Reserved | LED_0 Clock Select |    |    | Reserved | LED_0 GPIO Select |   |   |
| RO-0     | RW-000             |    |    | RO-0     | RW-000            |   |   |

**表 60. IO\_CTRL1 Field Descriptions**

| BIT   | FIELD              | TYPE | DEFAULT | DESCRIPTION  |
|-------|--------------------|------|---------|--|
| 15    | Reserved           | RO   | 0       | Reserved   |
| 14:12 | LED_1 Clock Select | RW   | 000     | <b>LED_1 Clock Select:</b><br>000 = XI Clock<br>001 = TX_TCLK Clock  |
| 11    | Reserved           | RO   | 0       | Reserved   |
| 10:8  | LED_1 GPIO Select  | RW   | 000     | <b>LED_1 GPIO Select:</b><br>000 = LED_1<br>001 = Clock<br>010 = WoL<br>011 = Undervoltage Indication<br>100 = 1588 Transmit<br>101 = 1588 Receive<br>110 = Constant '0'<br>111 = Constant '1' |
| 7     | Reserved           | RO   | 0       | Reserved   |
| 6:4   | LED_0 Clock Select | RW   | 000     | <b>LED_0 Clock Select:</b><br>000 = XI Clock<br>001 = TX_TCLK Clock  |
| 3     | Reserved           | RO   | 0       | Reserved   |
| 2:0   | LED_0 GPIO Select  | RW   | 000     | <b>LED_0 GPIO Select:</b><br>000 = LED_0<br>001 = Clock<br>010 = WoL<br>011 = Undervoltage Indication<br>100 = 1588 Transmit<br>101 = 1588 Receive<br>110 = Constant '0'<br>111 = Constant '1' |

**8.6.38 IO\_CTRL2 Register 0x0463 – GPIO Control Register #2**
**☒ 65. GPIO Control Register #2 (IO\_CTRL2)**

|                     |    |    |    |          |                    |   |   |
|---------------------|----|----|----|----------|--------------------|---|---|
| 15                  | 14 | 13 | 12 | 11       | 10                 | 9 | 8 |
| Reserved            |    |    |    |          |                    |   |   |
| RO-0                |    |    |    |          |                    |   |   |
| 7                   | 6  | 5  | 4  | 3        | 2                  | 1 | 0 |
| CLKOUT Clock Select |    |    |    | Reserved | CLKOUT GPIO Select |   |   |
| RW-0000             |    |    |    | RO-0     | RW-001             |   |   |

**表 61. IO\_CTRL2 Field Descriptions**

| BIT  | FIELD               | TYPE | DEFAULT | DESCRIPTION   |
|------|---------------------|------|---------|---|
| 15:8 | Reserved            | RO   | 0       | Reserved  |
| 7:4  | CLKOUT Clock Select | RW   | 0000    | <b>CLKOUT Clock Select:</b><br>0000 = XI Clock<br>0001 = TX_TCLK Clock  |
| 3    | Reserved            | RO   | 0       | Reserved  |
| 2:0  | CLKOUT GPIO Select  | RW   | 001     | <b>CLKOUT GPIO Select:</b><br>000 = LED_2<br>001 = Clock<br>010 = WoL<br>011 = Undervoltage Indication<br>100 = 1588 Transmit<br>101 = 1588 Receive<br>110 = Constant '0'<br>111 = Constant '1' |

**8.6.39 STRAP Register 0x0467 – Strap Configuration Register**
**☒ 66. Strap Configuration Register (STRAP)**

|                 |    |                 |    |                 |    |                 |   |
|-----------------|----|-----------------|----|-----------------|----|-----------------|---|
| 15              | 14 | 13              | 12 | 11              | 10 | 9               | 8 |
| LED_1 Bootstrap |    | RX_DV Bootstrap |    | RX_ER Bootstrap |    | LED_0 Bootstrap |   |
| RO/Strap        |    | RO/Strap        |    | RO/Strap        |    | RO/Strap        |   |
| 7               | 6  | 5               | 4  | 3               | 2  | 1               | 0 |
| RX_D0 Bootstrap |    | RX_D1 Bootstrap |    | RX_D2 Bootstrap |    | RX_D3 Bootstrap |   |
| RO/Strap        |    | RO/Strap        |    | RO/Strap        |    | RO/Strap        |   |

**表 62. STRAP Field Descriptions**

| BIT   | FIELD           | TYPE | DEFAULT | DESCRIPTION   |
|-------|-----------------|------|---------|---|
| 15:14 | LED_1 Bootstrap | RO   | Strap   | <b>LED_1 Bootstrap Mode:</b><br>00 = Mode 1; Autonomous Enabled<br>01 = Mode 2; RESERVED<br>10 = Mode 3; RESERVED<br>11 = Mode 4; Autonomous Disabled<br>Refer to the strap section in the data sheet for information regarding PHY configuration.<br><b>Note:</b> Bit values ('00', '01', '10', '11') are just used to indicate the Strap Mode and do not reflect the same bit sequence that is defined in the strap section of the data sheet.  |
| 13:12 | RX_DV Bootstrap | RO   | Strap   | <b>RX_DV Bootstrap Mode:</b><br>00 = Mode 1; PHY_AD[0] = 0, PHY_AD[2] = 0<br>01 = Mode 2; PHY_AD[0] = 0, PHY_AD[2] = 1<br>10 = Mode 3; PHY_AD[0] = 1, PHY_AD[2] = 1<br>11 = Mode 4; PHY_AD[0] = 1, PHY_AD[2] = 0<br>Refer to the strap section in the data sheet for information regarding PHY configuration.<br><b>Note:</b> Bit values ('00', '01', '10', '11') are just used to indicate the Strap Mode and do not reflect the same bit sequence that is defined in the strap section of the data sheet. |
| 11:10 | RX_ER Bootstrap | RO   | Strap   | <b>RX_ER Bootstrap Mode:</b><br>00 = Mode 1; PHY_AD[1] = 0, PHY_AD[3] = 0<br>01 = Mode 2; PHY_AD[1] = 0, PHY_AD[3] = 1<br>10 = Mode 3; PHY_AD[1] = 1, PHY_AD[3] = 1<br>11 = Mode 4; PHY_AD[1] = 1, PHY_AD[3] = 0<br>Refer to the strap section in the data sheet for information regarding PHY configuration.<br><b>Note:</b> Bit values ('00', '01', '10', '11') are just used to indicate the Strap Mode and do not reflect the same bit sequence that is defined in the strap section of the data sheet. |
| 9:8   | LED_0 Bootstrap | RO   | Strap   | <b>LED_0 Bootstrap Mode:</b><br>00 = Mode 1; 100BASE-T1 Slave Mode<br>01 = Mode 2; RESERVED<br>10 = Mode 3; RESERVED<br>11 = Mode 4; 100BASE-T1 Master Mode<br>Refer to the strap section in the data sheet for information regarding PHY configuration.<br><b>Note:</b> Bit values ('00', '01', '10', '11') are just used to indicate the Strap Mode and do not reflect the same bit sequence that is defined in the strap section of the data sheet.  |
| 7:6   | RX_D0 Bootstrap | RO   | Strap   | <b>RX_D0 Bootstrap Mode:</b><br>00 = Mode 1; MAC[0] = 0, TEST[0] = 0<br>01 = Mode 2; MAC[0] = 0, TEST[0] = 1<br>10 = Mode 3; MAC[0] = 1, TEST[0] = 1<br>11 = Mode 4; MAC[0] = 1, TEST[0] = 0<br>Refer to the strap section in the data sheet for information regarding PHY configuration.<br><b>Note:</b> Bit values ('00', '01', '10', '11') are just used to indicate the Strap Mode and do not reflect the same bit sequence that is defined in the strap section of the data sheet.                     |

**表 62. STRAP Field Descriptions (continued)**

| BIT | FIELD           | TYPE | DEFAULT | DESCRIPTION   |
|-----|-----------------|------|---------|---|
| 5:4 | RX_D1 Bootstrap | RO   | Strap   | <b>RX_D1 Bootstrap Mode:</b><br>00 = Mode 1; MAC[1] = 0, TEST[1] = 0<br>01 = Mode 2; MAC[1] = 0, TEST[1] = 1<br>10 = Mode 3; MAC[1] = 1, TEST[1] = 1<br>11 = Mode 4; MAC[1] = 1, TEST[1] = 0<br>Refer to the strap section in the data sheet for information regarding PHY configuration.<br><b>Note:</b> Bit values ('00', '01', '10', '11') are just used to indicate the Strap Mode and do not reflect the same bit sequence that is defined in the strap section of the data sheet. |
| 3:2 | RX_D2 Bootstrap | RO   | Strap   | <b>RX_D2 Bootstrap Mode:</b><br>00 = Mode 1; MAC[2] = 0, TEST[2] = 0<br>01 = Mode 2; MAC[2] = 0, TEST[2] = 1<br>10 = Mode 3; MAC[2] = 1, TEST[2] = 1<br>11 = Mode 4; MAC[2] = 1, TEST[2] = 0<br>Refer to the strap section in the data sheet for information regarding PHY configuration.<br><b>Note:</b> Bit values ('00', '01', '10', '11') are just used to indicate the Strap Mode and do not reflect the same bit sequence that is defined in the strap section of the data sheet. |
| 1:0 | RX_D3 Bootstrap | RO   | Strap   | <b>RX_D3 Bootstrap Mode:</b><br>00 = Mode 1; Required Strap Mode<br>01 = Mode 2; RESERVED<br>10 = Mode 3; RESERVED<br>11 = Mode 4; RESERVED<br>Refer to the strap section in the data sheet for information regarding PHY configuration.<br><b>Note:</b> Bit values ('00', '01', '10', '11') are just used to indicate the Strap Mode and do not reflect the same bit sequence that is defined in the strap section of the data sheet.  |

**8.6.40 LED\_CFG2 Register 0x0469 – LED Configuration Register #2**
**☒ 67. LED Configuration Register #2 (LED\_CFG2)**

|          |  |                |                      |      |                       |      |          |      |                |                      |                      |                       |  |   |  |
|----------|--|----------------|----------------------|------|-----------------------|------|----------|------|----------------|----------------------|----------------------|-----------------------|--|---|--|
| 15       |  | 14             |                      | 13   |                       | 12   |          | 11   |                | 10                   |                      | 9                     |  | 8 |  |
| Reserved |  |                |                      |      |                       |      |          |      |                | LED_2 Polarity       | LED_2 Override Value | LED_2 Override Enable |  |   |  |
| RO-0     |  |                |                      | RO-0 |                       |      |          | RO-0 |                | RO-0                 |                      |                       |  |   |  |
| 7        |  | 6              |                      | 5    |                       | 4    |          | 3    |                | 2                    |                      | 1                     |  | 0 |  |
| Reserved |  | LED_1 Polarity | LED_1 Override Value |      | LED_1 Override Enable |      | Reserved |      | LED_0 Polarity | LED_0 Override Value |                      | LED_0 Override Enable |  |   |  |
| RO-0     |  | RW/Strap       |                      | RO-0 |                       | RO-0 |          | RO-0 |                | RW/Strap             |                      | RO-0                  |  |   |  |

**表 63. LED\_CFG2 Field Descriptions**

| BIT   | FIELD                 | TYPE | DEFAULT | DESCRIPTION  |
|-------|-----------------------|------|---------|--|
| 15:11 | Reserved              | RO   | 0       | Reserved   |
| 10    | LED_2 Polarity        | RW   | 0       | <b>LED_2 Polarity:</b><br>1 = Active HIGH<br>0 = Active LOW                        |
| 9     | LED_2 Override Value  | RW   | 0       | <b>LED_2 Override Value:</b><br>1 = Force HIGH<br>0 = Force LOW                    |
| 8     | LED_2 Override Enable | RW   | 0       | <b>LED_2 Override Enable:</b><br>1 = Enable force override<br>0 = Normal operation |
| 7     | Reserved              | RO   | 0       | Reserved   |
| 6     | LED_1 Polarity        | RW   | Strap   | <b>LED_1 Polarity:</b><br>1 = Active HIGH<br>0 = Active LOW                        |
| 5     | LED_1 Override Value  | RW   | 0       | <b>LED_1 Override Value:</b><br>1 = Force HIGH<br>0 = Force LOW                    |
| 4     | LED_1 Override Enable | RW   | 0       | <b>LED_1 Override Enable:</b><br>1 = Enable force override<br>0 = Normal operation |
| 3     | Reserved              | RO   | 0       | Reserved   |
| 2     | LED_0 Polarity        | RW   | Strap   | <b>LED_0 Polarity:</b><br>1 = Active HIGH<br>0 = Active LOW                        |
| 1     | LED_0 Override Value  | RW   | 0       | <b>LED_0 Override Value:</b><br>1 = Force HIGH<br>0 = Force LOW                    |
| 0     | LED_0 Override Enable | RW   | 0       | <b>LED_0 Override Enable:</b><br>1 = Enable force override<br>0 = Normal operation |

8.6.41 MON\_CFG1 Register 0x0480 – Monitor Configuration Register #1

☒ 68. Monitor Configuration Register #1 (MON\_CFG1)

|          |    |    |    |                                     |    |   |   |
|----------|----|----|----|-------------------------------------|----|---|---|
| 15       | 14 | 13 | 12 | 11                                  | 10 | 9 | 8 |
| Reserved |    |    |    |                                     |    |   |   |
| RO-0     |    |    |    |                                     |    |   |   |
| 7        | 6  | 5  | 4  | 3                                   | 2  | 1 | 0 |
|          |    |    |    | Monitors Configuration Cycle Period |    |   |   |
| RW-0010  |    |    |    |                                     |    |   |   |

表 64. MON\_CFG1 Field Descriptions

| BIT  | FIELD                               | TYPE | DEFAULT | DESCRIPTION   |
|------|-------------------------------------|------|---------|---|
| 15:4 | Reserved                            | RO   | 0       | Reserved  |
| 3:0  | Monitors Configuration Cycle Period | RW   | 0010    | <p><b>Monitors Configuration Cycle Period:</b><br/>If monitors are set to periodic mode, bits[3:0] determine the sampling cycle time.<br/>Cycle time has a range of 16ms - 240ms.<br/><b>Example:</b><br/>If value of bits[3:0] = 0b0001, sample time is 16ms.<br/><b>Note:</b> 0b0000 is invalid</p> |

8.6.42 MON\_CFG2 Register 0x0481 – Monitor Configuration Register #2

☒ 69. Monitor Configuration Register #2 (MON\_CFG2)

|                      |    |    |    |    |    |  |                                    |
|----------------------|----|----|----|----|----|--|------------------------------------|
| 15                   | 14 | 13 | 12 | 11 | 10 | 9  | 8                                  |
| Reserved             |    |    |    |    |    |  |                                    |
| RO-0000 0000 1010 00 |    |    |    |    |    |  |                                    |
| 7                    | 6  | 5  | 4  | 3  | 2  | 1  | 0                                  |
|                      |    |    |    |    |    | Temperature / Supply Monitor Periodic Mode | Temperature / Supply Monitor Start |
|                      |    |    |    |    |    | RW-1                                       | RW/SC-0                            |

表 65. MON\_CFG2 Field Descriptions

| BIT  | FIELD                                      | TYPE   | DEFAULT           | DESCRIPTION  |
|------|--|--------|-------------------|--|
| 15:2 | Reserved                                   | RW     | 0000 0000 1010 00 | Reserved   |
| 1    | Temperature / Supply Monitor Periodic Mode | RW     | 1                 | <p><b>Temperature and Supply Monitor Periodic Mode:</b><br/>1 = Temperature and supply monitor are activated periodically<br/>0 = Temperature and supply monitor is a single run<br/><b>Note:</b> When temperature and supply monitor are activated periodically, cycle time is determined by bits[3:0] in register 0x480.</p> |
| 0    | Temperature / Supply Monitor Start         | RW, SC | 0                 | <p><b>Temperature and Supply Monitor Start:</b><br/>1 = Start temperature and supply monitor function (this bit self-clears)<br/>0 = Normal operation</p>  |

**8.6.43 MON\_CFG3 Register 0x0482 – Monitor Configuration Register #3**
**☒ 70. Monitor Configuration Register #3 (MON\_CFG3)**

|          |                                      |    |    |          |   |   |   |
|----------|--------------------------------------|----|----|----------|---|---|---|
| 15       | 14                                   | 13 | 12 | 11       | 10                                      | 9 | 8 |
| Reserved | Undervoltage Threshold Configuration |    |    | Reserved | Overvoltage Threshold Configuration     |   |   |
| RW-0     | RW-111                               |    |    | RW-0     | RW-000                                  |   |   |
| 7        | 6                                    | 5  | 4  | 3        | 2                                       | 1 | 0 |
| Reserved |                                      |    |    |          | Overtemperature Threshold Configuration |   |   |
| RW-0     |                                      |    |    |          | RW-111                                  |   |   |

**表 66. MON\_CFG3 Field Descriptions**

| BIT   | FIELD                                   | TYPE | DEFAULT | DESCRIPTION  |
|-------|---|------|---------|--|
| 15    | Reserved                                | RW   | 0       | Reserved   |
| 14:12 | Undervoltage Threshold Configuration    | RW   | 111     | <b>Undervoltage Threshold Configuration:</b><br>000 = Voltage > VDD + 9%<br>001 = VDD + 1.5% < Voltage < VDD + 9%<br>010 = VDD - 4.5% < Voltage < VDD + 1.5%<br>011 = VDD - 7.5% < Voltage < VDD - 4.5%<br>100 = VDD - 10.5% < Voltage < VDD - 7.5%<br>101 = VDD - 13.5% < Voltage < VDD - 10.5%<br>110 = VDD - 16.5% < Voltage < VDD - 13.5%<br>111 = Voltage < VDD - 16.5%<br><b>Note 1:</b> VDD = 1.8 V, 2.5 V or 3.3 V<br><b>Note 2:</b> VDD +/- X% represents VDD +/- VDD*(X)/100 |
| 11    | Reserved                                | RW   | 0       | Reserved   |
| 10:8  | Overvoltage Threshold Configuration     | RW   | 000     | <b>Overvoltage Threshold Configuration:</b><br>000 = Voltage > VDD + 9%<br>001 = VDD + 1.5% < Voltage < VDD + 9%<br>010 = VDD - 4.5% < Voltage < VDD + 1.5%<br>011 = VDD - 7.5% < Voltage < VDD - 4.5%<br>100 = VDD - 10.5% < Voltage < VDD - 7.5%<br>101 = VDD - 13.5% < Voltage < VDD - 10.5%<br>110 = VDD - 16.5% < Voltage < VDD - 13.5%<br>111 = Voltage < VDD - 16.5%<br><b>Note 1:</b> VDD = 1.8 V, 2.5 V or 3.3 V<br><b>Note 2:</b> VDD +/- X% represents VDD +/- VDD*(X)/100  |
| 7:3   | Reserved                                | RW   | 0       | Reserved   |
| 2:0   | Overtemperature Threshold Configuration | RW   | 111     | <b>Overtemperature Threshold Configuration:</b><br>000 = Temperature < -40°C<br>001 = -40°C < Temperature < 0°C<br>010 = 0°C < Temperature < 30°C<br>011 = 30°C < Temperature < 70°C<br>100 = 70°C < Temperature < 100°C<br>101 = 100°C < Temperature < 135°C<br>110 = 135°C < Temperature < 165°C<br>111 = Temperature > 165°C  |

**8.6.44 MON\_STAT1 Register 0x0483 – Monitor Status Register #1**

**☒ 71. Monitor Status Register #1 (MON\_STAT1)**

|          |    |    |    |    |    |                           |   |
|----------|----|----|----|----|----|---------------------------|---|
| 15       | 14 | 13 | 12 | 11 | 10 | 9                         | 8 |
| Reserved |    |    |    |    |    |                           |   |
| RO-0     |    |    |    |    |    |                           |   |
| 7        | 6  | 5  | 4  | 3  | 2  | 1                         | 0 |
|          |    |    |    |    |    | Temperature Monitor Value |   |
| RO-000   |    |    |    |    |    |                           |   |

**表 67. MON\_STAT1 Field Descriptions**

| BIT  | FIELD                     | TYPE | DEFAULT | DESCRIPTION   |
|------|---------------------------|------|---------|---|
| 15:3 | Reserved                  | RO   | 0       | Reserved  |
| 2:0  | Temperature Monitor Value | RO   | 000     | <b>Temperature Monitor Value:</b><br>000 = Temperature < -40°C<br>001 = -40°C < Temperature < 0°C<br>010 = 0°C < Temperature < 30°C<br>011 = 30°C < Temperature < 70°C<br>100 = 70°C < Temperature < 100°C<br>101 = 100°C < Temperature < 135°C<br>110 = 135°C < Temperature < 165°C<br>111 = Temperature > 165°C |

**8.6.45 MON\_STAT2 Register 0x0484 – Monitor Status Register #2**

**☒ 72. Monitor Status Register #2 (MON\_STAT2)**

|          |                            |    |    |    |          |                           |   |
|----------|----------------------------|----|----|----|----------|---------------------------|---|
| 15       | 14                         | 13 | 12 | 11 | 10       | 9                         | 8 |
| Reserved | VDDIO Supply Monitor Value |    |    |    | Reserved | VDDA Supply Monitor Value |   |
| RO-0     | RO-000                     |    |    |    | RO-0     | RO-000                    |   |
| 7        | 6                          | 5  | 4  | 3  | 2        | 1                         | 0 |
| Reserved |                            |    |    |    |          |                           |   |
| RO-0     |                            |    |    |    |          |                           |   |

**表 68. MON\_STAT2 Field Descriptions**

| BIT   | FIELD                      | TYPE | DEFAULT | DESCRIPTION  |
|-------|----------------------------|------|---------|--|
| 15    | Reserved                   | RO   | 0       | Reserved   |
| 14:12 | VDDIO Supply Monitor Value | RO   | 000     | <b>VDDIO Supply Monitor Value:</b><br>000 = Voltage > VDDIO + 9%<br>001 = VDDIO + 1.5% < Voltage < VDDIO + 9%<br>010 = VDDIO - 4.5% < Voltage < VDDIO + 1.5%<br>011 = VDDIO - 7.5% < Voltage < VDDIO - 4.5%<br>100 = VDDIO - 10.5% < Voltage < VDDIO - 7.5%<br>101 = VDDIO - 13.5% < Voltage < VDDIO - 10.5%<br>110 = VDDIO - 16.5% < Voltage < VDDIO - 13.5%<br>111 = Voltage < VDDIO - 16.5%<br><b>Note 1:</b> VDDIO = 1.8 V, 2.5 V or 3.3 V<br><b>Note 2:</b> VDDIO +/- X% represents VDDIO +/- VDDIO*(X)/100 |
| 11    | Reserved                   | RO   | 0       | Reserved   |
| 10:8  | VDDA Supply Monitor Value  | RO   | 000     | <b>VDDA Supply Monitor Value:</b><br>000 = Voltage > VDDA + 9%<br>001 = VDDA + 1.5% < Voltage < VDDA + 9%<br>010 = VDDA - 4.5% < Voltage < VDDA + 1.5%<br>011 = VDDA - 7.5% < Voltage < VDDA - 4.5%<br>100 = VDDA - 10.5% < Voltage < VDDA - 7.5%<br>101 = VDDA - 13.5% < Voltage < VDDA - 10.5%<br>110 = VDDA - 16.5% < Voltage < VDDA - 13.5%<br>111 = Voltage < VDDA - 16.5%<br><b>Note 1:</b> VDDA = 3.3 V<br><b>Note 2:</b> VDDA +/- X% represents VDDA +/- VDDA*(X)/100                                    |
| 7:0   | Reserved                   | RO   | 0       | Reserved   |



**8.6.46 PCS\_CTRL1 Register 0x0485 – PCS Control Register #1**
**图 73. PCS Control Register #1 (PCS\_CTRL1)**

|  |    |  |              |          |    |   |   |
|--|----|--|--------------|----------|----|---|---|
| 15                                     | 14 | 13                                     | 12           | 11       | 10 | 9 | 8   |
| Reserved                               |    | IPG Scrambler<br>Lock Check<br>Disable | Link Control | Reserved |    |   | Link-Up<br>Descrambler<br>Lock<br>Configuration |
| RW-0                                   |    | RW-0                                   | RW-1         | RW-0     |    |   | RW-0111 1000                                    |
| 7                                      | 6  | 5                                      | 4            | 3        | 2  | 1 | 0   |
| Link-Up Descrambler Lock Configuration |    |  |              |          |    |   |   |
| RW-0111 1000                           |    |  |              |          |    |   |   |

**表 69. PCS\_CTRL1 Field Descriptions**

| BIT   | FIELD                                  | TYPE | DEFAULT   | DESCRIPTION  |
|-------|--|------|-----------|--|
| 15:14 | Reserved                               | RW   | 0         | Reserved   |
| 13    | IPG Scrambler Lock Check Disable       | RW   | 0         | <b>IPG Scrambler Lock Check Disable:</b><br>1 = Scrambler lock check is disabled during IPG<br>0 = Scrambler lock check is enabled during IPG                    |
| 12    | Link Control                           | RW   | 1         | <b>Link Control:</b><br>1 = Enable training and link-up to start<br>0 = Disable training and link-up   |
| 11:9  | Reserved                               | RO   | 0         | Reserved   |
| 8:0   | Link-Up Descrambler Lock Configuration | RW   | 0111 1000 | <b>Link-Up Descrambler Lock Configuration:</b><br>Determines the number of initial idle symbols to determine descrambler lock (LINK)<br>Default set to 120 IDLES |

**8.6.47 PCS\_CTRL2 Register – 0x0486 PCS Control Register #2**
**图 74. PCS Control Register #2 (PCS\_CTRL2)**

|          |    |                                       |                               |    |    |   |   |
|----------|----|---------------------------------------|-------------------------------|----|----|---|---|
| 15       | 14 | 13                                    | 12                            | 11 | 10 | 9 | 8 |
| Reserved |    | Descrambler Error Count Configuration |                               |    |    |   |   |
| RW-00    |    | RW-00 1010                            |                               |    |    |   |   |
| 7        | 6  | 5                                     | 4                             | 3  | 2  | 1 | 0 |
| Reserved |    |                                       | Remote Receiver Configuration |    |    |   |   |
| RW-000   |    |                                       | RW-0 0101                     |    |    |   |   |

**表 70. PCS\_CTRL2 Field Descriptions**

| BIT   | FIELD                                 | TYPE | DEFAULT | DESCRIPTION   |
|-------|---------------------------------------|------|---------|---|
| 15:14 | Reserved                              | RW   | 00      | Reserved  |
| 13:9  | Descrambler Error Count Configuration | RW   | 00 101  | <b>Descrambler Error Count Configuration:</b><br>Determines the number of error (non-idle) symbols to determine descrambler loss of lock (no LINK)<br>Default set to 10 symbols |
| 8:5   | Reserved                              | RW   | 0 000   | Reserved  |
| 4:0   | Remote Receiver Configuration         | RW   | 0 0101  | <b>Remote Receiver Configuration:</b><br>Determines the number of error symbols for remote receiver status to go LOW.<br>Default set to 5 symbols                               |

**8.6.48 LPS\_CTRL2 Register 0x0487 – LPS Control Register #2**
**☒ 75. LPS Control Register #2 (LPS\_CTRL2)**

|                       |    |    |    |    |    |   |                   |
|-----------------------|----|----|----|----|----|---|-------------------|
| 15                    | 14 | 13 | 12 | 11 | 10 | 9 | 8                 |
| Reserved              |    |    |    |    |    |   |                   |
| RW-0000 1010 0000 000 |    |    |    |    |    |   |                   |
| 7                     | 6  | 5  | 4  | 3  | 2  | 1 | 0                 |
|                       |    |    |    |    |    |   | PCS LPS<br>Enable |
| RW--0                 |    |    |    |    |    |   |                   |

**表 71. LPS\_CTRL2 Register 0x0487 – LPS Control Register #2**

| BIT  | FIELD          | TYPE | DEFAULT               | DESCRIPTION   |
|------|----------------|------|-----------------------|---|
| 15:1 | Reserved       | RW   | 0000 1010<br>0000 000 | Reserved  |
| 0    | PCS LPS Enable | RW   | 0                     | <b>PCS LPS Enable:</b><br>1 = LPS enabled in PCS<br>0 = LPS disabled in PCS<br>Device must have this bit enabled to transmit and receive LPS code-groups. |

**8.6.49 INTER\_CFG Register 0x0489 – Interleave Configuration**
**☒ 76. Interleave Configuration (INTER\_CFG)**

|          |    |    |    |    |                  |                   |                             |
|----------|----|----|----|----|------------------|-------------------|-----------------------------|
| 15       | 14 | 13 | 12 | 11 | 10               | 9                 | 8                           |
| Reserved |    |    |    |    |                  |                   |                             |
| RO-0     |    |    |    |    |                  |                   |                             |
| 7        | 6  | 5  | 4  | 3  | 2                | 1                 | 0                           |
|          |    |    |    |    | Force Interleave | Interleave Enable | Interleave Detection Enable |
|          |    |    |    |    | RW-0             | RW-0              | RW-1                        |

**表 72. INTER\_CFG Field Descriptions**

| BIT  | FIELD                       | TYPE | DEFAULT | DESCRIPTION   |
|------|-----------------------------|------|---------|---|
| 15:3 | Reserved                    | RO   | 0       | Reserved  |
| 2    | Force Interleave            | RW   | 0       | <b>Force Interleave:</b><br>1 = Force interleave on TX<br>0 = Normal operation                                |
| 1    | Interleave Enable           | RW   | 0       | <b>Interleave Enable:</b><br>1 = Enable interleave on TX if interleave detected on RX<br>0 = Normal operation |
| 0    | Interleave Detection Enable | RW   | 1       | <b>Interleave Detection Enable:</b><br>1 = Enable interleave detection<br>0 = Disable interleave detection    |

**8.6.50 LPS\_CTRL3 Register 0x0493 – LPS Control Register #3**
**☒ 77. LPS Control Register #3 (LPS\_CTRL3)**

|          |    |    |                          |    |          |   |   |
|----------|----|----|--------------------------|----|----------|---|---|
| 15       | 14 | 13 | 12                       | 11 | 10       | 9 | 8 |
| Reserved |    |    |                          |    |          |   |   |
| RW-0     |    |    |                          |    |          |   |   |
| 7        | 6  | 5  | 4                        | 3  | 2        | 1 | 0 |
|          |    |    | sleep_rqst_timer Setting |    | Reserved |   |   |
|          |    |    | RW-01                    |    | RW-0100  |   |   |

**表 73. LPS\_CTRL3 Register 0x0493 – LPS Control Register #3**

| BIT  | FIELD            | TYPE | DEFAULT | DESCRIPTION  |
|------|------------------|------|---------|--|
| 15:6 | Reserved         | RW   | 0       | Reserved   |
| 5:4  | sleep_rqst_timer | RW   | 01      | <b>sleep_rqst_timer Setting:</b><br>00 = 0.4 ms<br>01 = 1 ms<br>10 = 4 ms<br>11 = 8 ms |
| 3:0  | Reserved         | RW   | 0100    | Reserved   |

8.6.51 JAB\_CFG Register 0x0496 – Jabber Configuration Register

☒ 78. Jabber Configuration Register (JAB\_CFG)

|                              |    |    |    |    |                              |   |   |
|------------------------------|----|----|----|----|------------------------------|---|---|
| 15                           | 14 | 13 | 12 | 11 | 10                           | 9 | 8 |
| Reserved                     |    |    |    |    | Jabber Timeout Configuration |   |   |
| RO-0                         |    |    |    |    | RW-100 0100 1100             |   |   |
| 7                            | 6  | 5  | 4  | 3  | 2                            | 1 | 0 |
| Jabber Timeout Configuration |    |    |    |    |                              |   |   |
| RW-100 0100 1100             |    |    |    |    |                              |   |   |

表 74. JAB\_CFG Field Descriptions

| BIT   | FIELD                        | TYPE | DEFAULT          | DESCRIPTION  |
|-------|------------------------------|------|------------------|--|
| 15:11 | Reserved                     | RO   | 0                | Reserved   |
| 10:0  | Jabber Timeout Configuration | RW   | 100 0100<br>1100 | <b>Jabber Timeout Configuration:</b><br>Sets time to determine a jabber condition.<br>Default set to 1100us.<br><b>Note:</b> Convert value read in this register to decimal format to find the time in micro seconds |

8.6.52 TEST\_MODE\_CTRL Register 0x0497 – Test Mode Control Register

☒ 79. Test Mode Control Register (TEST\_MODE\_CTRL)

|            |    |    |    |    |                            |   |   |
|------------|----|----|----|----|----------------------------|---|---|
| 15         | 14 | 13 | 12 | 11 | 10                         | 9 | 8 |
| Reserved   |    |    |    |    | Test Mode 1 Symbol Control |   |   |
| RO-0000 00 |    |    |    |    | RW-01 1100                 |   |   |
| 7          | 6  | 5  | 4  | 3  | 2                          | 1 | 0 |
| Reserved   |    |    |    |    |                            |   |   |
| RO-0000    |    |    |    |    |                            |   |   |

表 75. TEST\_MODE\_CTRL Field Descriptions

| BIT   | FIELD                      | TYPE | DEFAULT | DESCRIPTION   |
|-------|----------------------------|------|---------|---|
| 15:10 | Reserved                   | RO   | 0000 00 | Reserved  |
| 9:4   | Test Mode 1 Symbol Control | RW   | 01 1100 | <b>Test Mode 1 Symbol Control:</b><br>Sets the number of +1/-1 symbols to send in Test Mode 1<br>Number of Symbols = (2*FIELD_VALUE + 2)<br>Example:<br>FIELD_VALUE = 28<br>Number of Symbols = (2*28 + 2) = 58<br>Time = 58*15ns = 870ns |
| 3:0   | Reserved                   | RW   | 0000    | Reserved  |

**8.6.53 WOL\_CFG Register 0x04A0 – WoL Configuration Register**
**☒ 80. WoL Configuration Register (WOL\_CFG)**

|                 |  |               |  |                  |  |                                   |  |                             |  |                       |  |                         |  |      |  |
|-----------------|--|---------------|--|------------------|--|-----------------------------------|--|-----------------------------|--|-----------------------|--|-------------------------|--|------|--|
| 15              |  | 14            |  | 13               |  | 12                                |  | 11                          |  | 10                    |  | 9                       |  | 8    |  |
| Bit Nibble Swap |  | SFD Byte      |  | CRC Gate         |  | WoL Level Change Indication Clear |  | WoL Pulse Indication Select |  | WoL Indication Select |  |                         |  |      |  |
| RW-00           |  | RW-0          |  | RW-1             |  | W/SC-0                            |  | RW-00                       |  | RW-0                  |  |                         |  |      |  |
| 7               |  | 6             |  | 5                |  | 4                                 |  | 3                           |  | 2                     |  | 1                       |  | 0    |  |
| WoL Enable      |  | Bit Mask Flag |  | Secure-ON Enable |  | Reserved                          |  | Reserved                    |  | WoL Pattern Enable    |  | WoL Magic Packet Enable |  |      |  |
| RW-0            |  | RW-0          |  | RW-0             |  | RW-0                              |  | RW-0                        |  | RW-0                  |  | RW-0                    |  | RW-0 |  |

**表 76. WOL\_CFG Field Descriptions**

| BIT   | FIELD                             | TYPE  | DEFAULT | DESCRIPTION   |
|-------|-----------------------------------|-------|---------|---|
| 15:14 | Bit Nibble Swap                   | RW    | 00      | <b>Bit Nibble Swap:</b><br>00 = normal order, no swap (RXD [3:0])<br>01 = swap bits order (RXD [0:3])<br>10 = swap nibbles order (RXD [3:0] , RXD [7:4])<br>11 = swap bits order in each nibble (RXD [4:7] , RXD [0:3])                     |
| 13    | SFD Byte                          | RW    | 0       | <b>SFD Byte Search:</b><br>1 = SFD is 0x5D (i.e. Receive module searches for 0x5D)<br>0 = SFD is 0xD5 (i.e. Receive module searches for 0xD5)   |
| 12    | CRC Gate                          | RW    | 1       | <b>CRC Gate:</b><br>1 = Bad CRC gates Magic Packet and Pattern Indications<br>0 = Disable bad CRC gate<br><b>Note:</b> If Bad CRC gate is disabled, there will be no indication (status, interrupt, GPIO) if the device receives a bad CRC. |
| 11    | WoL Level Change Indication Clear | W, SC | 0       | <b>WoL Level Change Indication Clear:</b><br>If WoL Indication is set for Level change mode, this bit clears the level upon a write.  |
| 10:9  | WoL Pulse Indication Select       | RW    | 00      | <b>WoL Pulse Indication Select:</b><br>Only valid when WoL Indication is set for Pulse mode.<br>00 = 8 clock cycles (of 100-MHz clock)<br>01 = 16 clock cycles<br>10 = 32 clock cycles<br>11 = 64 clock cycles                              |
| 8     | WoL Indication Select             | RW    | 0       | <b>WoL Indication Select:</b><br>1 = Level change mode<br>0 = Pulse mode  |
| 7     | WoL Enable                        | RW    | 0       | <b>WoL Enable:</b><br>1 = Enable Wake-on-LAN (WoL)<br>0 = normal operation  |
| 6     | Bit Mask Flag                     | RW    | 0       | <b>Bit Mask Flag</b>  |
| 5     | Secure-ON Enable                  | RW    | 0       | <b>Enable</b> Secure-ON password for Magic Packets  |
| 4:2   | Reserved                          | RW    | 0       | Reserved  |
| 1     | WoL Pattern Enable                | RW    | 0       | <b>Enable</b> Interrupt upon reception of packet with configured pattern  |
| 0     | WoL Magic Packet Enable           | RW    | 0       | <b>Enable</b> Interrupt upon reception of Magic Packet  |

**8.6.54 WOL\_STAT Register 0x04A1 – WoL Status Register**
**☒ 81. WoL Status Register (WOL\_STAT)**

|            |  |            |  |                      |  |            |  |    |  |                    |  |                         |  |   |  |
|------------|--|------------|--|----------------------|--|------------|--|----|--|--------------------|--|-------------------------|--|---|--|
| 15         |  | 14         |  | 13                   |  | 12         |  | 11 |  | 10                 |  | 9                       |  | 8 |  |
| Reserved   |  |            |  | WoL Interrupt Source |  | Reserved   |  |    |  |                    |  |                         |  |   |  |
| RO-0       |  |            |  | RW-0                 |  | RO-0       |  |    |  |                    |  |                         |  |   |  |
| 7          |  | 6          |  | 5                    |  | 4          |  | 3  |  | 2                  |  | 1                       |  | 0 |  |
| SFD Error  |  | Bad CRC    |  | Secure-On Hack Flag  |  | Reserved   |  |    |  | WoL Pattern Status |  | WoL Magic Packet Status |  |   |  |
| RO/LH/SC-0 |  | RO/LH/SC-0 |  | RO/LH/SC-0           |  | RO/LH/SC-0 |  |    |  | RO/LH/SC-0         |  | RO/LH/SC-0              |  |   |  |

**表 77. WOL\_STAT Field Descriptions**

| BIT   | FIELD                   | TYPE       | DEFAULT | DESCRIPTION   |
|-------|-------------------------|------------|---------|---|
| 15:13 | Reserved                | RO         | 0       | Reserved  |
| 12    | WoL Interrupt Source    | RW         | 0       | <b>WoL Interrupt Source:</b><br>Source of Interrupt for bit [1] of register 0x13.<br>1 = WoL Interrupt<br>0 = Data Polarity Interrupt<br>When enabling WoL, this bit is automatically set to WoL Interrupt. |
| 11:8  | Reserved                | RO         | 0       | Reserved  |
| 7     | SFD Error               | RO, LH, SC | 0       | <b>SFD Error:</b><br>1 = Packet with SFD error (without the SFD byte indicated in bit [13] register 0x4A0)<br>0 = No SFD error  |
| 6     | Bad CRC                 | RO, LH, SC | 0       | <b>Bad CRC:</b><br>1 = Bad CRC was received<br>0 = No bad CRC received  |
| 5     | Secure-On Hack Flag     | RO, LH, SC | 0       | <b>Secure-ON Hack Flag:</b><br>1 = Invalid Password detected in Magic Packet<br>0 = Valid Secure-ON Password  |
| 4:2   | Reserved                | RO, LH, SC | 0       | Reserved  |
| 1     | WoL Pattern Status      | RO, LH, SC | 0       | <b>WoL Pattern Status:</b><br>1 = Valid packet with configured pattern received<br>0 = No valid packet with configured pattern received   |
| 0     | WoL Magic Packet Status | RO, LH, SC | 0       | <b>WoL Magic Packet Status:</b><br>1 = Valid Magic Packet received<br>0 = No valid Magic Packet received  |

**8.6.55 WOL\_DA1 Register 0x04A2 – WoL Destination Address Configuration Register #1**
**☒ 82. WoL Destination Address Configuration Register #1 (WOL\_DA1)**

|                                |    |    |    |    |    |   |   |
|--------------------------------|----|----|----|----|----|---|---|
| 15                             | 14 | 13 | 12 | 11 | 10 | 9 | 8 |
| MAC Destination Address Byte 4 |    |    |    |    |    |   |   |
| RW-0                           |    |    |    |    |    |   |   |
| 7                              | 6  | 5  | 4  | 3  | 2  | 1 | 0 |
| MAC Destination Address Byte 5 |    |    |    |    |    |   |   |
| RW-0                           |    |    |    |    |    |   |   |

**表 78. WOL\_DA1 Field Descriptions**

| BIT  | FIELD                          | TYPE | DEFAULT | DESCRIPTION  |
|------|--------------------------------|------|---------|--|
| 15:8 | MAC Destination Address Byte 4 | RW   | 0       | <b>Perfect Match Data:</b><br>Configured for MAC Destination Address |
| 7:0  | MAC Destination Address Byte 5 | RW   | 0       | <b>Perfect Match Data:</b><br>Configured for MAC Destination Address |

**8.6.56 WOL\_DA2 Register 0x04A3 – WoL Destination Address Configuration Register #2**
**☒ 83. WoL Destination Address Configuration Register #2 (WOL\_DA2)**

|                                |    |    |    |    |    |   |   |
|--------------------------------|----|----|----|----|----|---|---|
| 15                             | 14 | 13 | 12 | 11 | 10 | 9 | 8 |
| MAC Destination Address Byte 2 |    |    |    |    |    |   |   |
| RW-0                           |    |    |    |    |    |   |   |
| 7                              | 6  | 5  | 4  | 3  | 2  | 1 | 0 |
| MAC Destination Address Byte 3 |    |    |    |    |    |   |   |
| RW-0                           |    |    |    |    |    |   |   |

**表 79. WOL\_DA2 Field Descriptions**

| BIT  | FIELD                          | TYPE | DEFAULT | DESCRIPTION  |
|------|--------------------------------|------|---------|--|
| 15:8 | MAC Destination Address Byte 2 | RW   | 0       | <b>Perfect Match Data:</b><br>Configured for MAC Destination Address |
| 7:0  | MAC Destination Address Byte 3 | RW   | 0       | <b>Perfect Match Data:</b><br>Configured for MAC Destination Address |

**8.6.57 WOL\_DA3 Register 0x04A4 – WoL Destination Address Configuration Register #3**
**☒ 84. WoL Destination Address Configuration Register #3 (WOL\_DA3)**

|                                |    |    |    |    |    |   |   |
|--------------------------------|----|----|----|----|----|---|---|
| 15                             | 14 | 13 | 12 | 11 | 10 | 9 | 8 |
| MAC Destination Address Byte 0 |    |    |    |    |    |   |   |
| RW-0                           |    |    |    |    |    |   |   |
| 7                              | 6  | 5  | 4  | 3  | 2  | 1 | 0 |
| MAC Destination Address Byte 1 |    |    |    |    |    |   |   |
| RW-0                           |    |    |    |    |    |   |   |

**表 80. WOL\_DA3 Field Descriptions**

| BIT  | FIELD                          | TYPE | DEFAULT | DESCRIPTION  |
|------|--------------------------------|------|---------|--|
| 15:8 | MAC Destination Address Byte 0 | RW   | 0       | <b>Perfect Match Data:</b><br>Configured for MAC Destination Address |
| 7:0  | MAC Destination Address Byte 1 | RW   | 0       | <b>Perfect Match Data:</b><br>Configured for MAC Destination Address |

**8.6.58 RXSOP1 Register 0x04A5 – Receive Secure-ON Password Register #1**
**☒ 85. Receive Secure-ON Password Register #1 (RXSOP1)**

|                           |    |    |    |    |    |   |   |
|---------------------------|----|----|----|----|----|---|---|
| 15                        | 14 | 13 | 12 | 11 | 10 | 9 | 8 |
| Secure-ON Password Byte 1 |    |    |    |    |    |   |   |
| RW-0                      |    |    |    |    |    |   |   |
| 7                         | 6  | 5  | 4  | 3  | 2  | 1 | 0 |
| Secure-ON Password Byte 0 |    |    |    |    |    |   |   |
| RW-0                      |    |    |    |    |    |   |   |

**表 81. RXSOP1 Field Descriptions**

| BIT  | FIELD                     | TYPE | DEFAULT | DESCRIPTION   |
|------|---------------------------|------|---------|---|
| 15:8 | Secure-ON Password Byte 1 | RW   | 0       | <b>Secure-ON Password Select:</b><br>Secure-ON password for Magic Packets |
| 7:0  | Secure-ON Password Byte 0 | RW   | 0       | <b>Secure-ON Password Select:</b><br>Secure-ON password for Magic Packets |

**8.6.59 RXSOP2 Register 0x04A6 – Receive Secure-ON Password Register #2**
**☒ 86. Receive Secure-ON Password Register #2 (RXSOP2)**

|                           |    |    |    |    |    |   |   |
|---------------------------|----|----|----|----|----|---|---|
| 15                        | 14 | 13 | 12 | 11 | 10 | 9 | 8 |
| Secure-ON Password Byte 3 |    |    |    |    |    |   |   |
| RW-0                      |    |    |    |    |    |   |   |
| 7                         | 6  | 5  | 4  | 3  | 2  | 1 | 0 |
| Secure-ON Password Byte 2 |    |    |    |    |    |   |   |
| RW-0                      |    |    |    |    |    |   |   |

**表 82. RXSOP2 Field Descriptions**

| BIT  | FIELD                     | TYPE | DEFAULT | DESCRIPTION   |
|------|---------------------------|------|---------|---|
| 15:8 | Secure-ON Password Byte 3 | RW   | 0       | <b>Secure-ON Password Select:</b><br>Secure-ON password for Magic Packets |
| 7:0  | Secure-ON Password Byte 2 | RW   | 0       | <b>Secure-ON Password Select:</b><br>Secure-ON password for Magic Packets |



**8.6.60 RXSOP3 Register 0x04A7 – Receive Secure-ON Password Register #3**
**☒ 87. Receive Secure-ON Password Register #3 (RXSOP3)**

|                           |    |    |    |    |    |   |   |
|---------------------------|----|----|----|----|----|---|---|
| 15                        | 14 | 13 | 12 | 11 | 10 | 9 | 8 |
| Secure-ON Password Byte 5 |    |    |    |    |    |   |   |
| RW-0                      |    |    |    |    |    |   |   |
| 7                         | 6  | 5  | 4  | 3  | 2  | 1 | 0 |
| Secure-ON Password Byte 4 |    |    |    |    |    |   |   |
| RW-0                      |    |    |    |    |    |   |   |

**表 83. RXSOP3 Field Descriptions**

| BIT  | FIELD                     | TYPE | DEFAULT | DESCRIPTION   |
|------|---------------------------|------|---------|---|
| 15:8 | Secure-ON Password Byte 5 | RW   | 0       | <b>Secure-ON Password Select:</b><br>Secure-ON password for Magic Packets |
| 7:0  | Secure-ON Password Byte 4 | RW   | 0       | <b>Secure-ON Password Select:</b><br>Secure-ON password for Magic Packets |

**8.6.61 RXPAT1 Register 0x04A8 – Receive Pattern Register #1**
**☒ 88. Receive Pattern Register #1 (RXPAT1)**

|                |    |    |    |    |    |   |   |
|----------------|----|----|----|----|----|---|---|
| 15             | 14 | 13 | 12 | 11 | 10 | 9 | 8 |
| Pattern Byte 1 |    |    |    |    |    |   |   |
| RW-0           |    |    |    |    |    |   |   |
| 7              | 6  | 5  | 4  | 3  | 2  | 1 | 0 |
| Pattern Byte 0 |    |    |    |    |    |   |   |
| RW-0           |    |    |    |    |    |   |   |

**表 84. RXPAT1 Field Descriptions**

| BIT  | FIELD          | TYPE | DEFAULT | DESCRIPTION   |
|------|----------------|------|---------|---|
| 15:8 | Pattern Byte 1 | RW   | 0       | <b>Pattern Configuration:</b><br>Configures byte 1 of the pattern |
| 7:0  | Pattern Byte 0 | RW   | 0       | <b>Pattern Configuration:</b><br>Configures byte 0 of the pattern |

**8.6.62 RXPAT2 Register 0x04A9 – Receive Pattern Register #2**
**☒ 89. Receive Pattern Register #2 (RXPAT2)**

|                |    |    |    |    |    |   |   |
|----------------|----|----|----|----|----|---|---|
| 15             | 14 | 13 | 12 | 11 | 10 | 9 | 8 |
| Pattern Byte 3 |    |    |    |    |    |   |   |
| RW-0           |    |    |    |    |    |   |   |
| 7              | 6  | 5  | 4  | 3  | 2  | 1 | 0 |
| Pattern Byte 2 |    |    |    |    |    |   |   |
| RW-0           |    |    |    |    |    |   |   |

**表 85. RXPAT2 Field Descriptions**

| BIT  | FIELD          | TYPE | DEFAULT | DESCRIPTION   |
|------|----------------|------|---------|---|
| 15:8 | Pattern Byte 3 | RW   | 0       | <b>Pattern Configuration:</b><br>Configures byte 3 of the pattern |
| 7:0  | Pattern Byte 2 | RW   | 0       | <b>Pattern Configuration:</b><br>Configures byte 2 of the pattern |

**8.6.63 RXPAT3 Register 0x04AA – Receive Pattern Register #3**
**☒ 90. Receive Pattern Register #3 (RXPAT3)**

|                |    |    |    |    |    |   |   |
|----------------|----|----|----|----|----|---|---|
| 15             | 14 | 13 | 12 | 11 | 10 | 9 | 8 |
| Pattern Byte 5 |    |    |    |    |    |   |   |
| RW-0           |    |    |    |    |    |   |   |
| 7              | 6  | 5  | 4  | 3  | 2  | 1 | 0 |
| Pattern Byte 4 |    |    |    |    |    |   |   |
| RW-0           |    |    |    |    |    |   |   |

**表 86. RXPAT3 Field Descriptions**

| BIT  | FIELD          | TYPE | DEFAULT | DESCRIPTION   |
|------|----------------|------|---------|---|
| 15:8 | Pattern Byte 5 | RW   | 0       | <b>Pattern Configuration:</b><br>Configures byte 5 of the pattern |
| 7:0  | Pattern Byte 4 | RW   | 0       | <b>Pattern Configuration:</b><br>Configures byte 4 of the pattern |

**8.6.64 RXPAT4 Register 0x04AB – Receive Pattern Register #4**
**☒ 91. Receive Pattern Register #4 (RXPAT4)**

|                |    |    |    |    |    |   |   |
|----------------|----|----|----|----|----|---|---|
| 15             | 14 | 13 | 12 | 11 | 10 | 9 | 8 |
| Pattern Byte 7 |    |    |    |    |    |   |   |
| RW-0           |    |    |    |    |    |   |   |
| 7              | 6  | 5  | 4  | 3  | 2  | 1 | 0 |
| Pattern Byte 6 |    |    |    |    |    |   |   |
| RW-0           |    |    |    |    |    |   |   |

**表 87. RXPAT4 Field Descriptions**

| BIT  | FIELD          | TYPE | DEFAULT | DESCRIPTION   |
|------|----------------|------|---------|---|
| 15:8 | Pattern Byte 7 | RW   | 0       | <b>Pattern Configuration:</b><br>Configures byte 7 of the pattern |
| 7:0  | Pattern Byte 6 | RW   | 0       | <b>Pattern Configuration:</b><br>Configures byte 6 of the pattern |

**8.6.65 RXPAT5 Register 0x04AC – Receive Pattern Register #5**
**☒ 92. Receive Pattern Register #5 (RXPAT5)**

|                |    |    |    |    |    |   |   |
|----------------|----|----|----|----|----|---|---|
| 15             | 14 | 13 | 12 | 11 | 10 | 9 | 8 |
| Pattern Byte 9 |    |    |    |    |    |   |   |
| RW-0           |    |    |    |    |    |   |   |
| 7              | 6  | 5  | 4  | 3  | 2  | 1 | 0 |
| Pattern Byte 8 |    |    |    |    |    |   |   |
| RW-0           |    |    |    |    |    |   |   |

**表 88. RXPAT5 Field Descriptions**

| BIT  | FIELD          | TYPE | DEFAULT | DESCRIPTION   |
|------|----------------|------|---------|---|
| 15:8 | Pattern Byte 9 | RW   | 0       | <b>Pattern Configuration:</b><br>Configures byte 9 of the pattern |
| 7:0  | Pattern Byte 8 | RW   | 0       | <b>Pattern Configuration:</b><br>Configures byte 8 of the pattern |

**8.6.66 RXPAT6 Register 0x04AD – Receive Pattern Register #6**
**☒ 93. Receive Pattern Register #6 (RXPAT6)**

|                 |    |    |    |    |    |   |   |
|-----------------|----|----|----|----|----|---|---|
| 15              | 14 | 13 | 12 | 11 | 10 | 9 | 8 |
| Pattern Byte 11 |    |    |    |    |    |   |   |
| RW-0            |    |    |    |    |    |   |   |
| 7               | 6  | 5  | 4  | 3  | 2  | 1 | 0 |
| Pattern Byte 10 |    |    |    |    |    |   |   |
| RW-0            |    |    |    |    |    |   |   |

**表 89. RXPAT6 Field Descriptions**

| BIT  | FIELD           | TYPE | DEFAULT | DESCRIPTION  |
|------|-----------------|------|---------|--|
| 15:8 | Pattern Byte 11 | RW   | 0       | <b>Pattern Configuration:</b><br>Configures byte 11 of the pattern |
| 7:0  | Pattern Byte 10 | RW   | 0       | <b>Pattern Configuration:</b><br>Configures byte 10 of the pattern |

**8.6.67 RXPAT7 Register 0x04AE – Receive Pattern Register #7**
**☒ 94. Receive Pattern Register #7 (RXPAT7)**

|                 |    |    |    |    |    |   |   |
|-----------------|----|----|----|----|----|---|---|
| 15              | 14 | 13 | 12 | 11 | 10 | 9 | 8 |
| Pattern Byte 13 |    |    |    |    |    |   |   |
| RW-0            |    |    |    |    |    |   |   |
| 7               | 6  | 5  | 4  | 3  | 2  | 1 | 0 |
| Pattern Byte 12 |    |    |    |    |    |   |   |
| RW-0            |    |    |    |    |    |   |   |

**表 90. RXPAT7 Field Descriptions**

| BIT  | FIELD           | TYPE | DEFAULT | DESCRIPTION  |
|------|-----------------|------|---------|--|
| 15:8 | Pattern Byte 13 | RW   | 0       | <b>Pattern Configuration:</b><br>Configures byte 13 of the pattern |
| 7:0  | Pattern Byte 12 | RW   | 0       | <b>Pattern Configuration:</b><br>Configures byte 12 of the pattern |

**8.6.68 RXPAT8 Register 0x04AF – Receive Pattern Register #8**
**☒ 95. Receive Pattern Register #8 (RXPAT8)**

|                 |    |    |    |    |    |   |   |
|-----------------|----|----|----|----|----|---|---|
| 15              | 14 | 13 | 12 | 11 | 10 | 9 | 8 |
| Pattern Byte 15 |    |    |    |    |    |   |   |
| RW-0            |    |    |    |    |    |   |   |
| 7               | 6  | 5  | 4  | 3  | 2  | 1 | 0 |
| Pattern Byte 14 |    |    |    |    |    |   |   |
| RW-0            |    |    |    |    |    |   |   |

**表 91. RXPAT8 Field Descriptions**

| BIT  | FIELD           | TYPE | DEFAULT | DESCRIPTION  |
|------|-----------------|------|---------|--|
| 15:8 | Pattern Byte 15 | RW   | 0       | <b>Pattern Configuration:</b><br>Configures byte 15 of the pattern |
| 7:0  | Pattern Byte 14 | RW   | 0       | <b>Pattern Configuration:</b><br>Configures byte 14 of the pattern |

**8.6.69 RXPAT9 Register 0x04B0 – Receive Pattern Register #9**
**☒ 96. Receive Pattern Register #9 (RXPAT9)**

|                 |    |    |    |    |    |   |   |
|-----------------|----|----|----|----|----|---|---|
| 15              | 14 | 13 | 12 | 11 | 10 | 9 | 8 |
| Pattern Byte 17 |    |    |    |    |    |   |   |
| RW-0            |    |    |    |    |    |   |   |
| 7               | 6  | 5  | 4  | 3  | 2  | 1 | 0 |
| Pattern Byte 16 |    |    |    |    |    |   |   |
| RW-0            |    |    |    |    |    |   |   |

**表 92. RXPAT9 Field Descriptions**

| BIT  | FIELD           | TYPE | DEFAULT | DESCRIPTION  |
|------|-----------------|------|---------|--|
| 15:8 | Pattern Byte 17 | RW   | 0       | <b>Pattern Configuration:</b><br>Configures byte 17 of the pattern |
| 7:0  | Pattern Byte 16 | RW   | 0       | <b>Pattern Configuration:</b><br>Configures byte 16 of the pattern |

**8.6.70 RXPAT10 Register 0x04B1 – Receive Pattern Register #10**
**☒ 97. Receive Pattern Register #10 (RXPAT10)**

|                 |    |    |    |    |    |   |   |
|-----------------|----|----|----|----|----|---|---|
| 15              | 14 | 13 | 12 | 11 | 10 | 9 | 8 |
| Pattern Byte 19 |    |    |    |    |    |   |   |
| RW-0            |    |    |    |    |    |   |   |
| 7               | 6  | 5  | 4  | 3  | 2  | 1 | 0 |
| Pattern Byte 18 |    |    |    |    |    |   |   |
| RW-0            |    |    |    |    |    |   |   |

**表 93. RXPAT10 Field Descriptions**

| BIT  | FIELD           | TYPE | DEFAULT | DESCRIPTION  |
|------|-----------------|------|---------|--|
| 15:8 | Pattern Byte 19 | RW   | 0       | <b>Pattern Configuration:</b><br>Configures byte 19 of the pattern |
| 7:0  | Pattern Byte 18 | RW   | 0       | <b>Pattern Configuration:</b><br>Configures byte 18 of the pattern |

**8.6.71 RXPAT11 Register 0x04B2 Receive Pattern Register #11**
**☒ 98. Receive Pattern Register #11 (RXPAT11)**

|                 |    |    |    |    |    |   |   |
|-----------------|----|----|----|----|----|---|---|
| 15              | 14 | 13 | 12 | 11 | 10 | 9 | 8 |
| Pattern Byte 21 |    |    |    |    |    |   |   |
| RW-0            |    |    |    |    |    |   |   |
| 7               | 6  | 5  | 4  | 3  | 2  | 1 | 0 |
| Pattern Byte 20 |    |    |    |    |    |   |   |
| RW-0            |    |    |    |    |    |   |   |

**表 94. RXPAT11 Field Descriptions**

| BIT  | FIELD           | TYPE | DEFAULT | DESCRIPTION  |
|------|-----------------|------|---------|--|
| 15:8 | Pattern Byte 21 | RW   | 0       | <b>Pattern Configuration:</b><br>Configures byte 21 of the pattern |
| 7:0  | Pattern Byte 20 | RW   | 0       | <b>Pattern Configuration:</b><br>Configures byte 20 of the pattern |

**8.6.72 RXPAT12 Register 0x04B3 – Receive Pattern Register #12**
**☒ 99. Receive Pattern Register #12 (RXPAT12)**

|                 |    |    |    |    |    |   |   |
|-----------------|----|----|----|----|----|---|---|
| 15              | 14 | 13 | 12 | 11 | 10 | 9 | 8 |
| Pattern Byte 23 |    |    |    |    |    |   |   |
| RW-0            |    |    |    |    |    |   |   |
| 7               | 6  | 5  | 4  | 3  | 2  | 1 | 0 |
| Pattern Byte 22 |    |    |    |    |    |   |   |
| RW-0            |    |    |    |    |    |   |   |

**表 95. RXPAT12 Field Descriptions**

| BIT  | FIELD           | TYPE | DEFAULT | DESCRIPTION  |
|------|-----------------|------|---------|--|
| 15:8 | Pattern Byte 23 | RW   | 0       | <b>Pattern Configuration:</b><br>Configures byte 23 of the pattern |
| 7:0  | Pattern Byte 22 | RW   | 0       | <b>Pattern Configuration:</b><br>Configures byte 22 of the pattern |

**8.6.73 RXPAT13 Register 0x04B4 – Receive Pattern Register #13**
**☒ 100. Receive Pattern Register #13 (RXPAT13)**

|                 |    |    |    |    |    |   |   |
|-----------------|----|----|----|----|----|---|---|
| 15              | 14 | 13 | 12 | 11 | 10 | 9 | 8 |
| Pattern Byte 25 |    |    |    |    |    |   |   |
| RW-0            |    |    |    |    |    |   |   |
| 7               | 6  | 5  | 4  | 3  | 2  | 1 | 0 |
| Pattern Byte 24 |    |    |    |    |    |   |   |
| RW-0            |    |    |    |    |    |   |   |

**表 96. RXPAT13 Field Descriptions**

| BIT  | FIELD           | TYPE | DEFAULT | DESCRIPTION  |
|------|-----------------|------|---------|--|
| 15:8 | Pattern Byte 25 | RW   | 0       | <b>Pattern Configuration:</b><br>Configures byte 25 of the pattern |
| 7:0  | Pattern Byte 24 | RW   | 0       | <b>Pattern Configuration:</b><br>Configures byte 24 of the pattern |

**8.6.74 RXPAT14 Register 0x04B5 – Receive Pattern Register #14**
**☒ 101. Receive Pattern Register #14 (RXPAT14)**

|                 |    |    |    |    |    |   |   |
|-----------------|----|----|----|----|----|---|---|
| 15              | 14 | 13 | 12 | 11 | 10 | 9 | 8 |
| Pattern Byte 27 |    |    |    |    |    |   |   |
| RW-0            |    |    |    |    |    |   |   |
| 7               | 6  | 5  | 4  | 3  | 2  | 1 | 0 |
| Pattern Byte 26 |    |    |    |    |    |   |   |
| RW-0            |    |    |    |    |    |   |   |

**表 97. RXPAT14 Field Descriptions**

| BIT  | FIELD           | TYPE | DEFAULT | DESCRIPTION  |
|------|-----------------|------|---------|--|
| 15:8 | Pattern Byte 27 | RW   | 0       | <b>Pattern Configuration:</b><br>Configures byte 27 of the pattern |
| 7:0  | Pattern Byte 26 | RW   | 0       | <b>Pattern Configuration:</b><br>Configures byte 26 of the pattern |

**8.6.75 RXPAT15 Register 0x04B6 – Receive Pattern Register #15**
**☒ 102. Receive Pattern Register #15 (RXPAT15)**

|                 |    |    |    |    |    |   |   |
|-----------------|----|----|----|----|----|---|---|
| 15              | 14 | 13 | 12 | 11 | 10 | 9 | 8 |
| Pattern Byte 29 |    |    |    |    |    |   |   |
| RW-0            |    |    |    |    |    |   |   |
| 7               | 6  | 5  | 4  | 3  | 2  | 1 | 0 |
| Pattern Byte 28 |    |    |    |    |    |   |   |
| RW-0            |    |    |    |    |    |   |   |

**表 98. RXPAT15 Field Descriptions**

| BIT  | FIELD           | TYPE | DEFAULT | DESCRIPTION  |
|------|-----------------|------|---------|--|
| 15:8 | Pattern Byte 29 | RW   | 0       | <b>Pattern Configuration:</b><br>Configures byte 29 of the pattern |
| 7:0  | Pattern Byte 28 | RW   | 0       | <b>Pattern Configuration:</b><br>Configures byte 28 of the pattern |



**8.6.76 RXPAT16 Register 0x04B7 – Receive Pattern Register #16**
**☒ 103. Receive Pattern Register #16 (RXPAT16)**

|                 |    |    |    |    |    |   |   |
|-----------------|----|----|----|----|----|---|---|
| 15              | 14 | 13 | 12 | 11 | 10 | 9 | 8 |
| Pattern Byte 31 |    |    |    |    |    |   |   |
| RW-0            |    |    |    |    |    |   |   |
| 7               | 6  | 5  | 4  | 3  | 2  | 1 | 0 |
| Pattern Byte 30 |    |    |    |    |    |   |   |
| RW-0            |    |    |    |    |    |   |   |

**表 99. RXPAT16 Field Descriptions**

| BIT  | FIELD           | TYPE | DEFAULT | DESCRIPTION  |
|------|-----------------|------|---------|--|
| 15:8 | Pattern Byte 31 | RW   | 0       | <b>Pattern Configuration:</b><br>Configures byte 31 of the pattern |
| 7:0  | Pattern Byte 30 | RW   | 0       | <b>Pattern Configuration:</b><br>Configures byte 30 of the pattern |

**8.6.77 RXPAT17 Register 0x04B8 – Receive Pattern Register #17**
**☒ 104. Receive Pattern Register #17 (RXPAT17)**

|                 |    |    |    |    |    |   |   |
|-----------------|----|----|----|----|----|---|---|
| 15              | 14 | 13 | 12 | 11 | 10 | 9 | 8 |
| Pattern Byte 33 |    |    |    |    |    |   |   |
| RW-0            |    |    |    |    |    |   |   |
| 7               | 6  | 5  | 4  | 3  | 2  | 1 | 0 |
| Pattern Byte 32 |    |    |    |    |    |   |   |
| RW-0            |    |    |    |    |    |   |   |

**表 100. RXPAT17 Field Descriptions**

| BIT  | FIELD           | TYPE | DEFAULT | DESCRIPTION  |
|------|-----------------|------|---------|--|
| 15:8 | Pattern Byte 33 | RW   | 0       | <b>Pattern Configuration:</b><br>Configures byte 33 of the pattern |
| 7:0  | Pattern Byte 32 | RW   | 0       | <b>Pattern Configuration:</b><br>Configures byte 32 of the pattern |

**8.6.78 RXPAT18 Register 0x04B9 – Receive Pattern Register #18**
**☒ 105. Receive Pattern Register #18 (RXPAT18)**

|                 |    |    |    |    |    |   |   |
|-----------------|----|----|----|----|----|---|---|
| 15              | 14 | 13 | 12 | 11 | 10 | 9 | 8 |
| Pattern Byte 35 |    |    |    |    |    |   |   |
| RW-0            |    |    |    |    |    |   |   |
| 7               | 6  | 5  | 4  | 3  | 2  | 1 | 0 |
| Pattern Byte 34 |    |    |    |    |    |   |   |
| RW-0            |    |    |    |    |    |   |   |

**表 101. RXPAT18 Field Descriptions**

| BIT  | FIELD           | TYPE | DEFAULT | DESCRIPTION  |
|------|-----------------|------|---------|--|
| 15:8 | Pattern Byte 35 | RW   | 0       | <b>Pattern Configuration:</b><br>Configures byte 35 of the pattern |
| 7:0  | Pattern Byte 34 | RW   | 0       | <b>Pattern Configuration:</b><br>Configures byte 34 of the pattern |

**8.6.79 RXPAT19 Register 0x04BA Receive Pattern Register #19**
**☒ 106. Receive Pattern Register #19 (RXPAT19)**

|                 |    |    |    |    |    |   |   |
|-----------------|----|----|----|----|----|---|---|
| 15              | 14 | 13 | 12 | 11 | 10 | 9 | 8 |
| Pattern Byte 37 |    |    |    |    |    |   |   |
| RW-0            |    |    |    |    |    |   |   |
| 7               | 6  | 5  | 4  | 3  | 2  | 1 | 0 |
| Pattern Byte 36 |    |    |    |    |    |   |   |
| RW-0            |    |    |    |    |    |   |   |

**表 102. RXPAT19 Field Descriptions**

| BIT  | FIELD           | TYPE | DEFAULT | DESCRIPTION  |
|------|-----------------|------|---------|--|
| 15:8 | Pattern Byte 37 | RW   | 0       | <b>Pattern Configuration:</b><br>Configures byte 37 of the pattern |
| 7:0  | Pattern Byte 36 | RW   | 0       | <b>Pattern Configuration:</b><br>Configures byte 36 of the pattern |

**8.6.80 RXPAT20 Register 0x04BB – Receive Pattern Register #20**
**☒ 107. Receive Pattern Register #20 (RXPAT20)**

|                 |    |    |    |    |    |   |   |
|-----------------|----|----|----|----|----|---|---|
| 15              | 14 | 13 | 12 | 11 | 10 | 9 | 8 |
| Pattern Byte 39 |    |    |    |    |    |   |   |
| RW-0            |    |    |    |    |    |   |   |
| 7               | 6  | 5  | 4  | 3  | 2  | 1 | 0 |
| Pattern Byte 38 |    |    |    |    |    |   |   |
| RW-0            |    |    |    |    |    |   |   |

**表 103. RXPAT20 Field Descriptions**

| BIT  | FIELD           | TYPE | DEFAULT | DESCRIPTION  |
|------|-----------------|------|---------|--|
| 15:8 | Pattern Byte 39 | RW   | 0       | <b>Pattern Configuration:</b><br>Configures byte 39 of the pattern |
| 7:0  | Pattern Byte 38 | RW   | 0       | <b>Pattern Configuration:</b><br>Configures byte 38 of the pattern |

**8.6.81 RXPAT21 Register 0x04BC – Receive Pattern Register #21**
**☒ 108. Receive Pattern Register #21 (RXPAT21)**

|                 |    |    |    |    |    |   |   |
|-----------------|----|----|----|----|----|---|---|
| 15              | 14 | 13 | 12 | 11 | 10 | 9 | 8 |
| Pattern Byte 41 |    |    |    |    |    |   |   |
| RW-0            |    |    |    |    |    |   |   |
| 7               | 6  | 5  | 4  | 3  | 2  | 1 | 0 |
| Pattern Byte 40 |    |    |    |    |    |   |   |
| RW-0            |    |    |    |    |    |   |   |

**表 104. RXPAT21 Field Descriptions**

| BIT  | FIELD           | TYPE | DEFAULT | DESCRIPTION  |
|------|-----------------|------|---------|--|
| 15:8 | Pattern Byte 41 | RW   | 0       | <b>Pattern Configuration:</b><br>Configures byte 41 of the pattern |
| 7:0  | Pattern Byte 40 | RW   | 0       | <b>Pattern Configuration:</b><br>Configures byte 40 of the pattern |

**8.6.82 RXPAT22 Register 0x04BD – Receive Pattern Register #22**
 **109. Receive Pattern Register #22 (RXPAT22)**

|                 |    |    |    |    |    |   |   |
|-----------------|----|----|----|----|----|---|---|
| 15              | 14 | 13 | 12 | 11 | 10 | 9 | 8 |
| Pattern Byte 43 |    |    |    |    |    |   |   |
| RW-0            |    |    |    |    |    |   |   |
| 7               | 6  | 5  | 4  | 3  | 2  | 1 | 0 |
| Pattern Byte 42 |    |    |    |    |    |   |   |
| RW-0            |    |    |    |    |    |   |   |

**表 105. RXPAT22 Field Descriptions**

| BIT  | FIELD           | TYPE | DEFAULT | DESCRIPTION  |
|------|-----------------|------|---------|--|
| 15:8 | Pattern Byte 43 | RW   | 0       | <b>Pattern Configuration:</b><br>Configures byte 43 of the pattern |
| 7:0  | Pattern Byte 42 | RW   | 0       | <b>Pattern Configuration:</b><br>Configures byte 42 of the pattern |

**8.6.83 RXPAT23 Register 0x04BE – Receive Pattern Register #23**
 **110. Receive Pattern Register #23 (RXPAT23)**

|                 |    |    |    |    |    |   |   |
|-----------------|----|----|----|----|----|---|---|
| 15              | 14 | 13 | 12 | 11 | 10 | 9 | 8 |
| Pattern Byte 45 |    |    |    |    |    |   |   |
| RW-0            |    |    |    |    |    |   |   |
| 7               | 6  | 5  | 4  | 3  | 2  | 1 | 0 |
| Pattern Byte 44 |    |    |    |    |    |   |   |
| RW-0            |    |    |    |    |    |   |   |

**表 106. RXPAT23 Field Descriptions**

| BIT  | FIELD           | TYPE | DEFAULT | DESCRIPTION  |
|------|-----------------|------|---------|--|
| 15:8 | Pattern Byte 45 | RW   | 0       | <b>Pattern Configuration:</b><br>Configures byte 45 of the pattern |
| 7:0  | Pattern Byte 44 | RW   | 0       | <b>Pattern Configuration:</b><br>Configures byte 44 of the pattern |

**8.6.84 RXPAT24 Register 0x04BF – Receive Pattern Register #24**
**☒ 111. Receive Pattern Register #24 (RXPAT24)**

|                 |    |    |    |    |    |   |   |
|-----------------|----|----|----|----|----|---|---|
| 15              | 14 | 13 | 12 | 11 | 10 | 9 | 8 |
| Pattern Byte 47 |    |    |    |    |    |   |   |
| RW-0            |    |    |    |    |    |   |   |
| 7               | 6  | 5  | 4  | 3  | 2  | 1 | 0 |
| Pattern Byte 46 |    |    |    |    |    |   |   |
| RW-0            |    |    |    |    |    |   |   |

**表 107. RXPAT24 Field Descriptions**

| BIT  | FIELD           | TYPE | DEFAULT | DESCRIPTION  |
|------|-----------------|------|---------|--|
| 15:8 | Pattern Byte 47 | RW   | 0       | <b>Pattern Configuration:</b><br>Configures byte 47 of the pattern |
| 7:0  | Pattern Byte 46 | RW   | 0       | <b>Pattern Configuration:</b><br>Configures byte 46 of the pattern |

**8.6.85 RXPAT25 Register 0x04C0 – Receive Pattern Register #25**
**☒ 112. Receive Pattern Register #25 (RXPAT25)**

|                 |    |    |    |    |    |   |   |
|-----------------|----|----|----|----|----|---|---|
| 15              | 14 | 13 | 12 | 11 | 10 | 9 | 8 |
| Pattern Byte 49 |    |    |    |    |    |   |   |
| RW-0            |    |    |    |    |    |   |   |
| 7               | 6  | 5  | 4  | 3  | 2  | 1 | 0 |
| Pattern Byte 48 |    |    |    |    |    |   |   |
| RW-0            |    |    |    |    |    |   |   |

**表 108. RXPAT25 Field Descriptions**

| BIT  | FIELD           | TYPE | DEFAULT | DESCRIPTION  |
|------|-----------------|------|---------|--|
| 15:8 | Pattern Byte 49 | RW   | 0       | <b>Pattern Configuration:</b><br>Configures byte 49 of the pattern |
| 7:0  | Pattern Byte 48 | RW   | 0       | <b>Pattern Configuration:</b><br>Configures byte 48 of the pattern |

**8.6.86 RXPAT26 Register 0x04C1 – Receive Pattern Register #26**
**☒ 113. Receive Pattern Register #26 (RXPAT26)**

|                 |    |    |    |    |    |   |   |
|-----------------|----|----|----|----|----|---|---|
| 15              | 14 | 13 | 12 | 11 | 10 | 9 | 8 |
| Pattern Byte 51 |    |    |    |    |    |   |   |
| RW-0            |    |    |    |    |    |   |   |
| 7               | 6  | 5  | 4  | 3  | 2  | 1 | 0 |
| Pattern Byte 50 |    |    |    |    |    |   |   |
| RW-0            |    |    |    |    |    |   |   |

**表 109. RXPAT26 Field Descriptions**

| BIT  | FIELD           | TYPE | DEFAULT | DESCRIPTION  |
|------|-----------------|------|---------|--|
| 15:8 | Pattern Byte 51 | RW   | 0       | <b>Pattern Configuration:</b><br>Configures byte 51 of the pattern |
| 7:0  | Pattern Byte 50 | RW   | 0       | <b>Pattern Configuration:</b><br>Configures byte 50 of the pattern |

**8.6.87 RXPAT27 Register 0x04C2 Receive Pattern Register #27**
**☒ 114. Receive Pattern Register #27 (RXPAT27)**

|                 |    |    |    |    |    |   |   |
|-----------------|----|----|----|----|----|---|---|
| 15              | 14 | 13 | 12 | 11 | 10 | 9 | 8 |
| Pattern Byte 53 |    |    |    |    |    |   |   |
| RW-0            |    |    |    |    |    |   |   |
| 7               | 6  | 5  | 4  | 3  | 2  | 1 | 0 |
| Pattern Byte 52 |    |    |    |    |    |   |   |
| RW-0            |    |    |    |    |    |   |   |

**表 110. RXPAT27 Field Descriptions**

| BIT  | FIELD           | TYPE | DEFAULT | DESCRIPTION  |
|------|-----------------|------|---------|--|
| 15:8 | Pattern Byte 53 | RW   | 0       | <b>Pattern Configuration:</b><br>Configures byte 53 of the pattern |
| 7:0  | Pattern Byte 52 | RW   | 0       | <b>Pattern Configuration:</b><br>Configures byte 52 of the pattern |

**8.6.88 RXPAT28 Register 0x04C3 – Receive Pattern Register #28**
**☒ 115. Receive Pattern Register #28 (RXPAT28)**

|                 |    |    |    |    |    |   |   |
|-----------------|----|----|----|----|----|---|---|
| 15              | 14 | 13 | 12 | 11 | 10 | 9 | 8 |
| Pattern Byte 55 |    |    |    |    |    |   |   |
| RW-0            |    |    |    |    |    |   |   |
| 7               | 6  | 5  | 4  | 3  | 2  | 1 | 0 |
| Pattern Byte 54 |    |    |    |    |    |   |   |
| RW-0            |    |    |    |    |    |   |   |

**表 111. RXPAT28 Field Descriptions**

| BIT  | FIELD           | TYPE | DEFAULT | DESCRIPTION  |
|------|-----------------|------|---------|--|
| 15:8 | Pattern Byte 55 | RW   | 0       | <b>Pattern Configuration:</b><br>Configures byte 55 of the pattern |
| 7:0  | Pattern Byte 54 | RW   | 0       | <b>Pattern Configuration:</b><br>Configures byte 54 of the pattern |

**8.6.89 RXPAT29 Register 0x04C4 – Receive Pattern Register #29**
**☒ 116. Receive Pattern Register #29 (RXPAT29)**

|                 |    |    |    |    |    |   |   |
|-----------------|----|----|----|----|----|---|---|
| 15              | 14 | 13 | 12 | 11 | 10 | 9 | 8 |
| Pattern Byte 57 |    |    |    |    |    |   |   |
| RW-0            |    |    |    |    |    |   |   |
| 7               | 6  | 5  | 4  | 3  | 2  | 1 | 0 |
| Pattern Byte 56 |    |    |    |    |    |   |   |
| RW-0            |    |    |    |    |    |   |   |

**表 112. RXPAT29 Field Descriptions**

| BIT  | FIELD           | TYPE | DEFAULT | DESCRIPTION  |
|------|-----------------|------|---------|--|
| 15:8 | Pattern Byte 57 | RW   | 0       | <b>Pattern Configuration:</b><br>Configures byte 57 of the pattern |
| 7:0  | Pattern Byte 56 | RW   | 0       | <b>Pattern Configuration:</b><br>Configures byte 56 of the pattern |

**8.6.90 RXPAT30 Register 0x04C5 – Receive Pattern Register #30**
**☒ 117. Receive Pattern Register #30 (RXPAT30)**

|                 |    |    |    |    |    |   |   |
|-----------------|----|----|----|----|----|---|---|
| 15              | 14 | 13 | 12 | 11 | 10 | 9 | 8 |
| Pattern Byte 59 |    |    |    |    |    |   |   |
| RW-0            |    |    |    |    |    |   |   |
| 7               | 6  | 5  | 4  | 3  | 2  | 1 | 0 |
| Pattern Byte 58 |    |    |    |    |    |   |   |
| RW-0            |    |    |    |    |    |   |   |

**表 113. RXPAT30 Field Descriptions**

| BIT  | FIELD           | TYPE | DEFAULT | DESCRIPTION  |
|------|-----------------|------|---------|--|
| 15:8 | Pattern Byte 59 | RW   | 0       | <b>Pattern Configuration:</b><br>Configures byte 59 of the pattern |
| 7:0  | Pattern Byte 58 | RW   | 0       | <b>Pattern Configuration:</b><br>Configures byte 58 of the pattern |

**8.6.91 RXPAT31 Register 0x04C6 – Receive Pattern Register #31**
**☒ 118. Receive Pattern Register #31 (RXPAT31)**

|                 |    |    |    |    |    |   |   |
|-----------------|----|----|----|----|----|---|---|
| 15              | 14 | 13 | 12 | 11 | 10 | 9 | 8 |
| Pattern Byte 61 |    |    |    |    |    |   |   |
| RW-0            |    |    |    |    |    |   |   |
| 7               | 6  | 5  | 4  | 3  | 2  | 1 | 0 |
| Pattern Byte 60 |    |    |    |    |    |   |   |
| RW-0            |    |    |    |    |    |   |   |

**表 114. RXPAT31 Field Descriptions**

| BIT  | FIELD           | TYPE | DEFAULT | DESCRIPTION  |
|------|-----------------|------|---------|--|
| 15:8 | Pattern Byte 61 | RW   | 0       | <b>Pattern Configuration:</b><br>Configures byte 61 of the pattern |
| 7:0  | Pattern Byte 60 | RW   | 0       | <b>Pattern Configuration:</b><br>Configures byte 60 of the pattern |



**8.6.92 RXPAT32 Register 0x04C7 – Receive Pattern Register #32**
**☒ 119. Receive Pattern Register #32 (RXPAT32)**

|                 |    |    |    |    |    |   |   |
|-----------------|----|----|----|----|----|---|---|
| 15              | 14 | 13 | 12 | 11 | 10 | 9 | 8 |
| Pattern Byte 63 |    |    |    |    |    |   |   |
| RW-0            |    |    |    |    |    |   |   |
| 7               | 6  | 5  | 4  | 3  | 2  | 1 | 0 |
| Pattern Byte 62 |    |    |    |    |    |   |   |
| RW-0            |    |    |    |    |    |   |   |

**表 115. RXPAT32 Field Descriptions**

| BIT  | FIELD           | TYPE | DEFAULT | DESCRIPTION  |
|------|-----------------|------|---------|--|
| 15:8 | Pattern Byte 63 | RW   | 0       | <b>Pattern Configuration:</b><br>Configures byte 63 of the pattern |
| 7:0  | Pattern Byte 62 | RW   | 0       | <b>Pattern Configuration:</b><br>Configures byte 62 of the pattern |

**8.6.93 RXPBM1 Register 0x04C8 – Receive Pattern Byte Mask Register #1**
**☒ 120. Receive Pattern Byte Mask Register #1 (RXPBM1)**

|                    |    |    |    |    |    |   |   |
|--------------------|----|----|----|----|----|---|---|
| 15                 | 14 | 13 | 12 | 11 | 10 | 9 | 8 |
| Mask Bytes 0 to 15 |    |    |    |    |    |   |   |
| RW-0               |    |    |    |    |    |   |   |
| 7                  | 6  | 5  | 4  | 3  | 2  | 1 | 0 |
| Mask Bytes 0 to 15 |    |    |    |    |    |   |   |
| RW-0               |    |    |    |    |    |   |   |

**表 116. RXPBM1 Field Descriptions**

| BIT  | FIELD              | TYPE | DEFAULT | DESCRIPTION  |
|------|--------------------|------|---------|--|
| 15:0 | Mask Bytes 0 to 15 | RW   | 0       | <b>Pattern Byte Mask Configuration:</b><br>Configures masks for bytes 0 to 15. For each byte '1' means it is masked. |

**8.6.94 RXPBM2 Register 0x04C9 – Receive Pattern Byte Mask Register #2**
**☒ 121. Receive Pattern Byte Mask Register #2 (RXPBM2)**

|                     |    |    |    |    |    |   |   |
|---------------------|----|----|----|----|----|---|---|
| 15                  | 14 | 13 | 12 | 11 | 10 | 9 | 8 |
| Mask Bytes 16 to 31 |    |    |    |    |    |   |   |
| RW-0                |    |    |    |    |    |   |   |
| 7                   | 6  | 5  | 4  | 3  | 2  | 1 | 0 |
| Mask Bytes 16 to 31 |    |    |    |    |    |   |   |
| RW-0                |    |    |    |    |    |   |   |

**表 117. RXPBM2 Field Descriptions**

| BIT  | FIELD               | TYPE | DEFAULT | DESCRIPTION   |
|------|---------------------|------|---------|---|
| 15:0 | Mask Bytes 16 to 31 | RW   | 0       | <b>Pattern Byte Mask Configuration:</b><br>Configures masks for bytes 16 to 31. For each byte '1' means it is masked. |

**8.6.95 RXPBM3 Register 0x04CA – Receive Pattern Byte Mask Register #3**
**☒ 122. Receive Pattern Byte Mask Register #3 (RXPBM3)**

|                     |    |    |    |    |    |   |   |
|---------------------|----|----|----|----|----|---|---|
| 15                  | 14 | 13 | 12 | 11 | 10 | 9 | 8 |
| Mask Bytes 32 to 47 |    |    |    |    |    |   |   |
| RW-0                |    |    |    |    |    |   |   |
| 7                   | 6  | 5  | 4  | 3  | 2  | 1 | 0 |
| Mask Bytes 32 to 47 |    |    |    |    |    |   |   |
| RW-0                |    |    |    |    |    |   |   |

**表 118. RXPBM3 Field Descriptions**

| BIT  | FIELD               | TYPE | DEFAULT | DESCRIPTION   |
|------|---------------------|------|---------|---|
| 15:0 | Mask Bytes 32 to 47 | RW   | 0       | <b>Pattern Byte Mask Configuration:</b><br>Configures masks for bytes 32 to 47. For each byte '1' means it is masked. |

**8.6.96 RXPBM4 Register 0x04CB – Receive Pattern Byte Mask Register #4**
**☒ 123. Receive Pattern Byte Mask Register #4 (RXPBM4)**

|                     |    |    |    |    |    |   |   |
|---------------------|----|----|----|----|----|---|---|
| 15                  | 14 | 13 | 12 | 11 | 10 | 9 | 8 |
| Mask Bytes 48 to 63 |    |    |    |    |    |   |   |
| RW-0                |    |    |    |    |    |   |   |
| 7                   | 6  | 5  | 4  | 3  | 2  | 1 | 0 |
| Mask Bytes 48 to 63 |    |    |    |    |    |   |   |
| RW-0                |    |    |    |    |    |   |   |

**表 119. RXPBM4 Field Descriptions**

| BIT  | FIELD               | TYPE | DEFAULT | DESCRIPTION   |
|------|---------------------|------|---------|---|
| 15:0 | Mask Bytes 48 to 63 | RW   | 0       | <b>Pattern Byte Mask Configuration:</b><br>Configures masks for bytes 48 to 63. For each byte '1' means it is masked. |

**8.6.97 RXPATC Register 0x04CC – Receive Pattern Control Register**
**☒ 124. Receive Pattern Control Register (RXPATC)**

|                     |    |    |    |    |    |   |   |
|---------------------|----|----|----|----|----|---|---|
| 15                  | 14 | 13 | 12 | 11 | 10 | 9 | 8 |
| Reserved            |    |    |    |    |    |   |   |
| RO-0                |    |    |    |    |    |   |   |
| 7                   | 6  | 5  | 4  | 3  | 2  | 1 | 0 |
| Pattern Start Point |    |    |    |    |    |   |   |
| RW-0                |    |    |    |    |    |   |   |

**表 120. RXPATC Field Descriptions**

| BIT  | FIELD               | TYPE | DEFAULT | DESCRIPTION   |
|------|---------------------|------|---------|---|
| 15:6 | Reserved            | RO   | 0       | Reserved  |
| 5:0  | Pattern Start Point | RW   | 0       | <b>Pattern Start Point:</b><br>Number of bytes after SFD where comparison begins on RX packets to the configured pattern.<br>00000 = Start compare on 1st byte after SFD<br>00001 = Start compare on 2nd byte after SFD<br>...<br>01100 = Start compare on 13th byte (Default)<br>Default setting is 0xC, which means the pattern comparison will begin after source and destination addresses since they are each 6 bytes. |

**8.6.98 RXD3CLK Register 0x04E0 – RX\_D3 Clock Control Register**
**☒ 125. RX\_D3 Clock Control Register (RXD3CLK)**

|          |    |    |    |    |    |                     |   |
|----------|----|----|----|----|----|---------------------|---|
| 15       | 14 | 13 | 12 | 11 | 10 | 9                   | 8 |
| Reserved |    |    |    |    |    |                     |   |
| RO-0     |    |    |    |    |    |                     |   |
| 7        | 6  | 5  | 4  | 3  | 2  | 1                   | 0 |
|          |    |    |    |    |    | RX_D3 Clock Control |   |
| RW-Strap |    |    |    |    |    |                     |   |

**表 121. RXD3CLK Field Descriptions**

| BIT  | FIELD               | TYPE | DEFAULT | DESCRIPTION  |
|------|---------------------|------|---------|--|
| 15:3 | Reserved            | RW   | 0       | Reserved   |
| 2:0  | RX_D3 Clock Control | RW   | Strap   | <b>RX_D3 Control:</b><br>000 = RX_D3 operation<br>011 = 50-MHz output clock (RMII Master mode) |

**8.6.99 LPS\_CFG Register 0x04E5 – LPS Configuration Register**
**☒ 126. LPS Configuration Register (LPS\_CFG)**

|              |    |    |    |    |    |                    |   |
|--------------|----|----|----|----|----|--------------------|---|
| 15           | 14 | 13 | 12 | 11 | 10 | 9                  | 8 |
| Reserved     |    |    |    |    |    | LPS Mode Selection |   |
| RW-0000 00   |    |    |    |    |    | RW-00              |   |
| 7            | 6  | 5  | 4  | 3  | 2  | 1                  | 0 |
| Reserved     |    |    |    |    |    |                    |   |
| RW-1100 0011 |    |    |    |    |    |                    |   |

**表 122. LPS\_CFG Register 0x04E5 – LPS Configuration Register**

| BIT   | FIELD              | TYPE | DEFAULT   | DESCRIPTION   |
|-------|--------------------|------|-----------|---|
| 15:10 | Reserved           | RW   | 0000 00   | Reserved  |
| 9:8   | LPS Mode Selection | RW   | 00        | <b>LPS Mode Selection:</b><br>00 = Reserved<br>01 = Reserved<br>10 = Reserved<br>11 = Sdh[1] scrambled stream |
| 7:0   | Reserved           | RW   | 1100 0011 | Reserved  |

注

The following registers reside in the MMD1 register field. To access these registers, the DEVID must be 0x1.

**8.6.100 PMA\_CTRL1 Register 0x0007 – MMD1 PMA Control Register #1**

图 127. MMD1 PMA Control Register #1 (PMA\_CTRL1)

|                |    |    |    |    |    |   |   |
|----------------|----|----|----|----|----|---|---|
| 15             | 14 | 13 | 12 | 11 | 10 | 9 | 8 |
| Reserved       |    |    |    |    |    |   |   |
| RO-0           |    |    |    |    |    |   |   |
| 7              | 6  | 5  | 4  | 3  | 2  | 1 | 0 |
| PMA / PMD Type |    |    |    |    |    |   |   |
| RO-111101      |    |    |    |    |    |   |   |

表 123. PMA\_CTRL1 Field Descriptions

| BIT  | FIELD          | TYPE | DEFAULT | DESCRIPTION       |
|------|----------------|------|---------|-------------------|
| 15:6 | Reserved       | RO   | 0       | Reserved          |
| 5:0  | PMA / PMD Type | RO   | 111101  | <b>100BASE-T1</b> |

**8.6.101 PMA\_EXT1 Register 0x000B – MMD1 PMA Extended Ability Register #1**

图 128. MMD1 PMA Extended Ability Register #1 (PMA\_EXT1)

|                |    |    |    |                                     |                |   |   |
|----------------|----|----|----|-------------------------------------|----------------|---|---|
| 15             | 14 | 13 | 12 | 11                                  | 10             | 9 | 8 |
| Reserved       |    |    |    | 100BASE-T1<br>Extended<br>Abilities | PMA / PMD Type |   |   |
| RO-0           |    |    |    | RO-1                                | RO-0           |   |   |
| 7              | 6  | 5  | 4  | 3                                   | 2              | 1 | 0 |
| PMA / PMD Type |    |    |    |                                     |                |   |   |
| RO-0           |    |    |    |                                     |                |   |   |

表 124. PMA\_EXT1 Field Descriptions

| BIT   | FIELD                         | TYPE | DEFAULT | DESCRIPTION  |
|-------|-------------------------------|------|---------|--|
| 15:12 | Reserved                      | RO   | 0       | Reserved   |
| 11    | 100BASE-T1 Extended Abilities | RO   | 1       | <b>Extended Abilities:</b><br>1 = PHY able to perform extended abilities listed in register 0x12 within MMD1<br>0 = PHY unable to perform extended abilities listed in register 0x12 within MMD1 |
| 10:0  | PMA / PMD Type                | RO   | 0       | Reserved   |

**8.6.102 PMA\_EXT2 Register 0x0012 – MMD1 PMA Extended Ability Register #2**
**☒ 129. MMD1 PMA Extended Ability Register #2 (PMA\_EXT2)**

|          |    |    |    |    |    |   |         |
|----------|----|----|----|----|----|---|---------|
| 15       | 14 | 13 | 12 | 11 | 10 | 9 | 8       |
| Reserved |    |    |    |    |    |   |         |
| RO-0     |    |    |    |    |    |   |         |
| 7        | 6  | 5  | 4  | 3  | 2  | 1 | 0       |
|          |    |    |    |    |    |   | Ability |
|          |    |    |    |    |    |   | RO-1    |

**表 125. PMA\_EXT2 Field Descriptions**

| BIT  | FIELD              | TYPE | DEFAULT | DESCRIPTION  |
|------|--------------------|------|---------|--|
| 15:1 | Reserved           | RO   | 0       | Reserved   |
| 0    | 100BASE-T1 Ability | RO   | 1       | <b>100BASE-T1 Ability:</b><br>1 = PHY supports 100BASE-T1<br>0 = PHY does not support 100BASE-T1 |

**8.6.103 PMA\_CTRL2 Register 0x0834 – MMD1 PMA Control Register #2**
**☒ 130. MMD1 PMA Control Register #2 (PMA\_CTRL2)**

|          |                |          |    |    |    |   |   |
|----------|----------------|----------|----|----|----|---|---|
| 15       | 14             | 13       | 12 | 11 | 10 | 9 | 8 |
| Reserved | Master / Slave | Reserved |    |    |    |   |   |
| RO-1     | RW/Strap       | RO-0     |    |    |    |   |   |
| 7        | 6              | 5        | 4  | 3  | 2  | 1 | 0 |
| Reserved |                |          |    |    |    |   |   |
| RO-0     |                |          |    |    |    |   |   |

**表 126. PMA\_CTRL2 Field Descriptions**

| BIT  | FIELD  | TYPE | DEFAULT | DESCRIPTION   |
|------|--|------|---------|---|
| 15   | Reserved   | RO   | 1       | Reserved  |
| 14   | 100BASE-T1 Master / 100BASE-T1 Slave Configuration | RW   | Strap   | <b>100BASE-T1 Master / 100BASE-T1 Slave Configuration:</b><br>1 = PHY configured as a 100BASE-T1 Master<br>0 = PHY configured as a 100BASE-T1 Slave |
| 13:0 | Reserved   | RO   | 0       | Reserved  |

**8.6.104 TEST\_CTRL Register 0x0836 – MMD1 100BASE-T1 PMA Test Control Register**
**☒ 131. MMD1 100BASE-T1 PMA Test Control Register (TEST\_CTRL)**

|                       |    |    |    |    |    |   |          |
|-----------------------|----|----|----|----|----|---|----------|
| 15                    | 14 | 13 | 12 | 11 | 10 | 9 | 8        |
| 100BASE-T1 Test Modes |    |    |    |    |    |   |          |
| RW/Strap-000          |    |    |    |    |    |   |          |
| 7                     | 6  | 5  | 4  | 3  | 2  | 1 | 0        |
|                       |    |    |    |    |    |   | Reserved |
|                       |    |    |    |    |    |   | RO-0     |

**表 127. TEST\_CTRL Field Descriptions**

| BIT  | FIELD                 | TYPE | DEFAULT | DESCRIPTION  |
|------|-----------------------|------|---------|--|
| 15:4 | 100BASE-T1 Test Modes | RW   | Strap   | <b>100BASE-T1 Test Mode Control:</b><br>000 = Normal operation<br>001 = Test Mode 1<br>010 = Test Mode 2<br>100 = Test Mode 4<br>101 = Test Mode 5 |
| 3:0  | Reserved              | RO   | 0       | Reserved   |

## 9 Application and Implementation

### 注

Information in the following applications sections is not part of the TI component specification, and TI does not warrant its accuracy or completeness. TI's customers are responsible for determining suitability of components for their purposes. Customers should validate and test their design implementation to confirm system functionality.

### 9.1 Application Information

The DP83TC811R-Q1 is a single-port 100-Mbps Automotive Ethernet PHY. It supports IEEE 802.3bw and allows for connections to an Ethernet MAC through MII, RMII, or RGMII. When using the device for Ethernet applications, it is necessary to meet certain requirements for normal operation. The following subsections are intended to assist in appropriate component selection and required connections.

### 9.2 Typical Applications

Figure 132 through Figure 135 show some of the typical applications for the DP83TC811R-Q1.

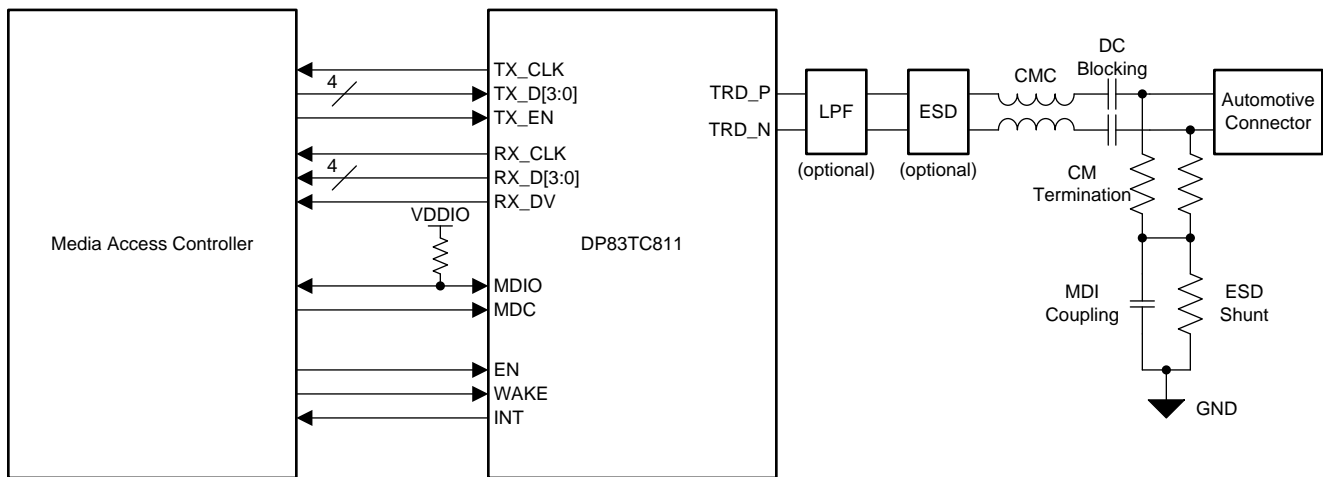
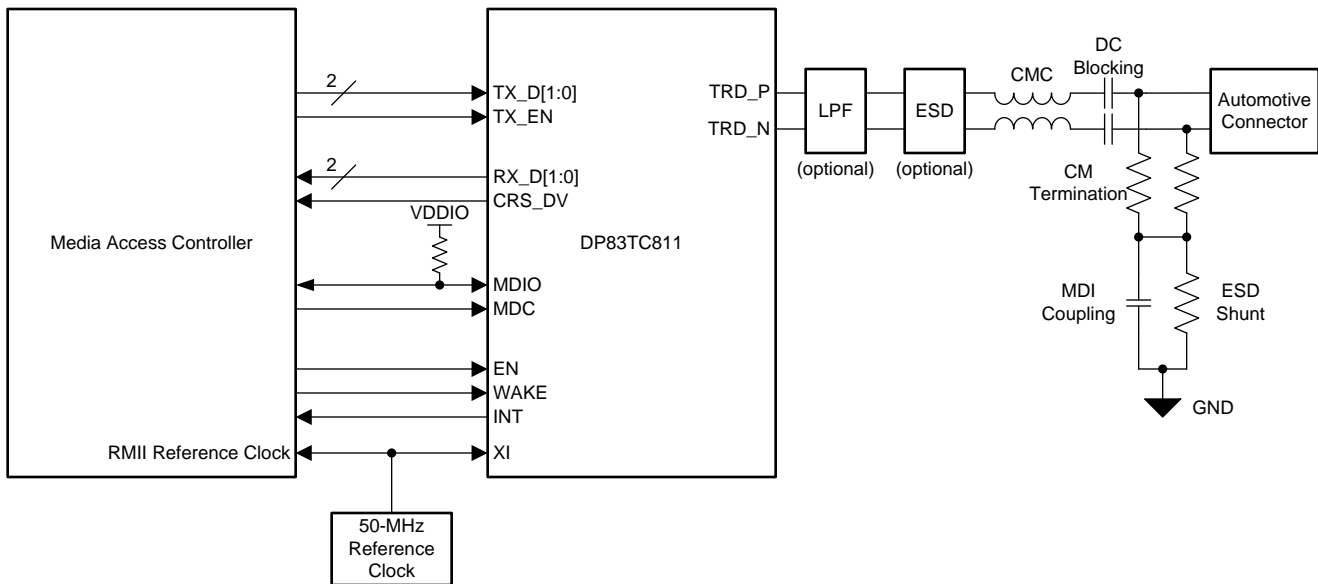
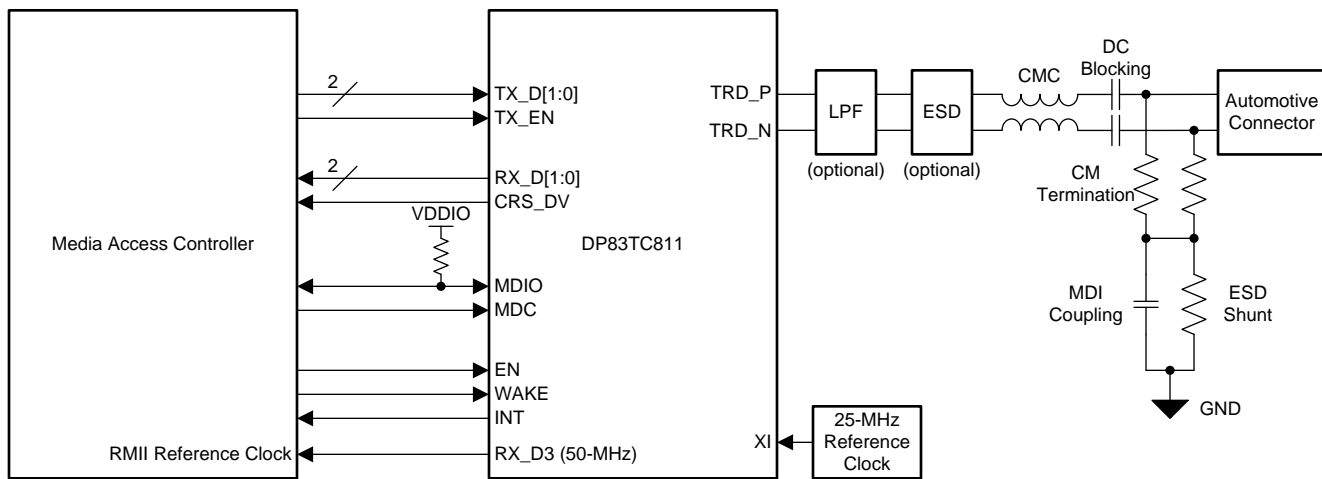


Figure 132. Typical Application (MII)

**Typical Applications (continued)**



**Figure 133. Typical Application (RMII Slave)**



**Figure 134. Typical Application (RMII Master)**



Typical Applications (continued)

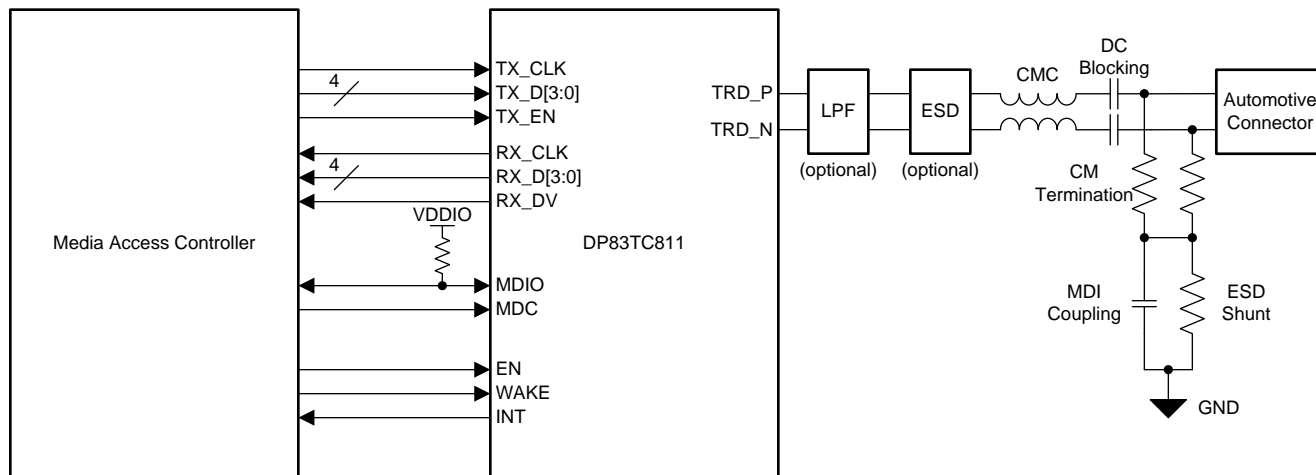


图 135. Typical Application (RGMII)

An optional external low-pass filter may be added to reduce radiated emissions and improve radiated immunity. Suggested values are located in 表 128.

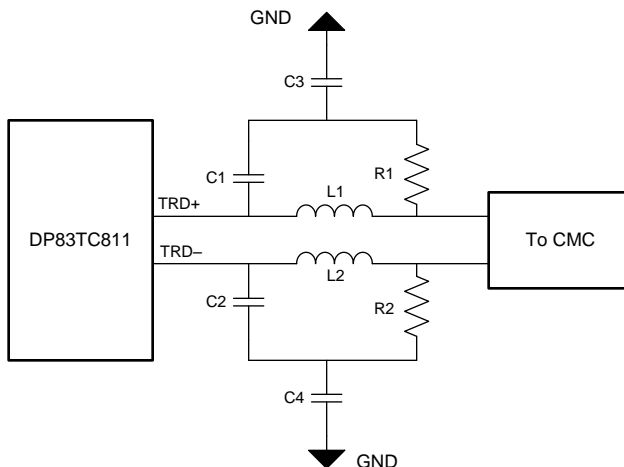


图 136. MDI Low-Pass Filter

9.2.1 Design Requirements

For these typical applications, use the following as design parameters:

表 128. Design Parameters

| DESIGN PARAMETER                                | EXAMPLE VALUE                          |
|---|--|
| $V_{DDIO}$                                      | 1.8 V, 2.5 V, or 3.3 V                 |
| $V_{DDA}$                                       | 3.3 V                                  |
| Decoupling capacitors $V_{DDIO}$ <sup>(1)</sup> | 10 nF, 100 nF, 1 $\mu$ F, 10 $\mu$ F   |
| (Optional) ferrite bead for $V_{DDIO}$          | 1 k $\Omega$ at 100 MHz (BLM18AG102SH) |
| Decoupling capacitors $V_{DDA}$ <sup>(1)</sup>  | 10 nF, 100 nF, 1 $\mu$ F, 10 $\mu$ F   |
| (Optional) ferrite bead for $V_{DDA}$           | 1 k $\Omega$ at 100 MHz (BLM18AG102SH) |
| DC Blocking Capacitors <sup>(2)</sup>           | 0.1 $\mu$ F                            |

(1) 10% tolerance components are recommended.

(2) 1% tolerance components are recommended.

**表 128. Design Parameters (continued)**

| DESIGN PARAMETER                                     | EXAMPLE VALUE   |
|--|---|
| Common-Mode Choke                                    | 200 $\mu$ H   |
| Common Mode Termination Resistors <sup>(2)</sup>     | 1 k $\Omega$  |
| MDI Coupling Capacitor <sup>(1)</sup>                | 4.7 nF  |
| ESD Shunt <sup>(1)</sup>                             | 100 k $\Omega$  |
| <b>(Optional)</b> MDI Low-Pass Filter <sup>(3)</sup> | 120 nH (L1 and L2), 47 pF (C3 and C4), 22 pF (C1 and C2), 27 $\Omega$ (R1 and R2) |
| Reference Clock                                      | 25 MHz  |

(3) 2% tolerance components are recommended.

### 9.2.1.1 Physical Medium Attachment

There must be no metal running beneath the common-mode choke. CMCs can inject noise into metal beneath them, which can affect the emissions and immunity performance of the system. Because the DP83TC811R-Q1 is a voltage mode line driver, no external termination resistors are required. The ESD shunt and MDI coupling capacitor should be connected to ground. Ensure that the common mode termination resistors are 1% tolerance or better to improve differential coupling.

#### 9.2.1.1.1 Common-Mode Choke Recommendations

The following CMCs have been tested with the DP83TC811R-Q1:

**表 129. Recommended CMCs**

| MANUFACTURER      | PART NUMBER    |
|-------------------|----------------|
| Pulse Electronics | AE2002         |
| Murata            | DLW43MH201XK2L |
| Murata            | DLW32MH201XK2  |
| TDK               | ACT45L-201     |
| TDK               | ACT1210L-201   |

**表 130. CMC Electrical Specifications**

| PARAMETER                          | TYP  | UNITS | CONDITIONS   |
|------------------------------------|------|-------|--------------|
| Insertion Loss                     | -0.5 | dB    | 1 – 30 MHz   |
|                                    | -1.0 | dB    | 30 – 60 MHz  |
| Return Loss                        | -26  | dB    | 1 – 30 MHz   |
|                                    | -20  | dB    | 30 – 60 MHz  |
| Common-Mode Rejection              | -24  | dB    | 1 MHz        |
|                                    | -42  | dB    | 10 – 100 MHz |
|                                    | -25  | dB    | 400 MHz      |
| Differential Common-Mode Rejection | -70  | dB    | 1 – 10 MHz   |
|                                    | -50  | dB    | 100 MHz      |
|                                    | -24  | dB    | 1000 MHz     |

## 9.2.2 Detailed Design Procedure

**When creating a new system design with an Ethernet PHY, follow this schematic capture procedure:**

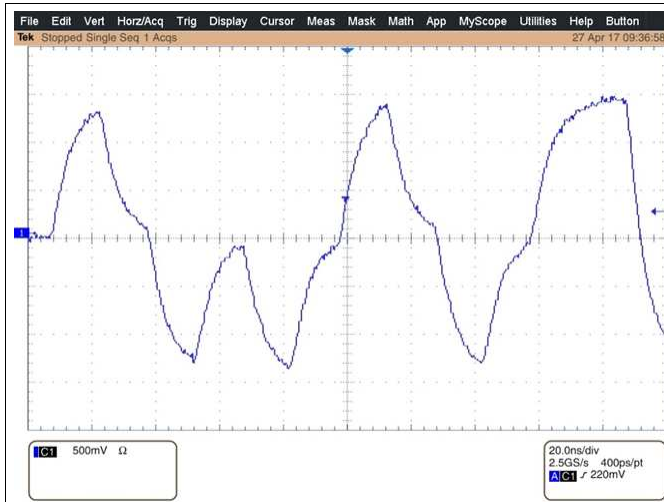
1. Select desired PHY hardware configurations in [表 18](#).
2. Use the [Electrical Characteristics](#) table and [表 17](#) to select the correct external bootstrap resistors.
3. If using LEDs, ensure the correct external circuit is applied as shown in [图 28](#).
4. Select an appropriate clock source that adheres to either the CMOS-level oscillator or crystal resonator requirements within the [Electrical Characteristics](#) table.
5. Select a CMC, a list of recommended CMCs are located in [表 129](#).
6. Add common-mode termination, DC-blocking capacitors, an MDI-coupling capacitor, and an ESD shunt found in [表 128](#).
7. Ensure that there is sufficient supply decoupling on VDDIO and VDDA supply pins.
8. Add an external pullup resistor (tie to VDDIO) on MDIO line.
9. If sleep modes are not desired, WAKE and EN pins should be tied to VDDIO directly or through an external pullup resistor.

**The following layout procedure should be followed:**

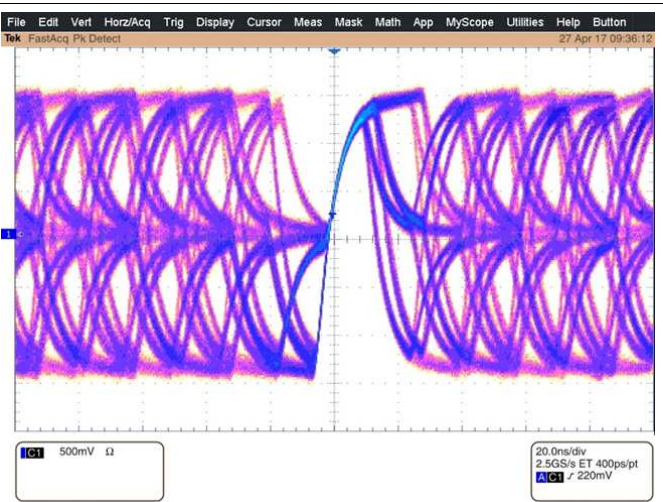
1. Locate the PHY near the edge of the board so that short MDI traces can be routed to the desired connector.
2. Place the MDI external components: CMC, DC-blocking capacitors, CM termination, MDI-coupling capacitor, and ESD shunt.
3. Create a top-layer metal pour keepout under the CMC.
4. Ensure that the MDI TRD\_M and TRD\_P traces are routed such that they are 100- $\Omega$  differential.
5. Place the clock source near the XI and XO pins.
6. Ensure that when configured for MII, RMII, or RGMII operation, the xMII pins are routed 50- $\Omega$  and are single-ended with reference to ground.
7. Ensure that transmit path xMII pins are routed such that setup and hold timing does not violate the PHY requirements.
8. Ensure that receive path xMII pins are routed such that setup and hold timing does not violate the MAC requirements.
9. Place the MDIO pullup close to the PHY.

### 9.2.3 Application Curves

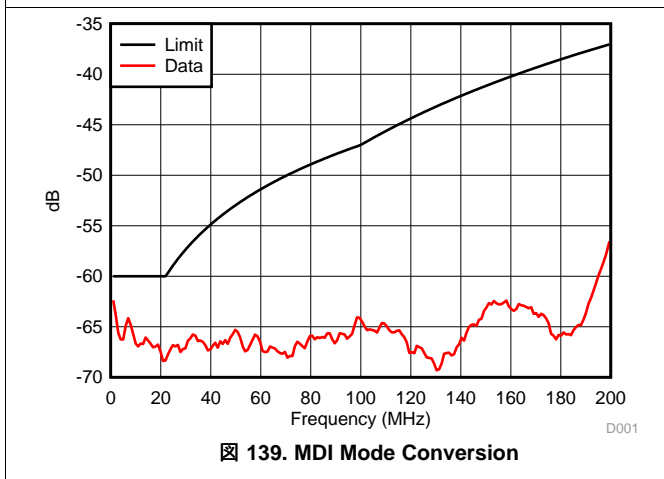
The following curves were obtained using the DP83TC811EVM under nominal conditions.



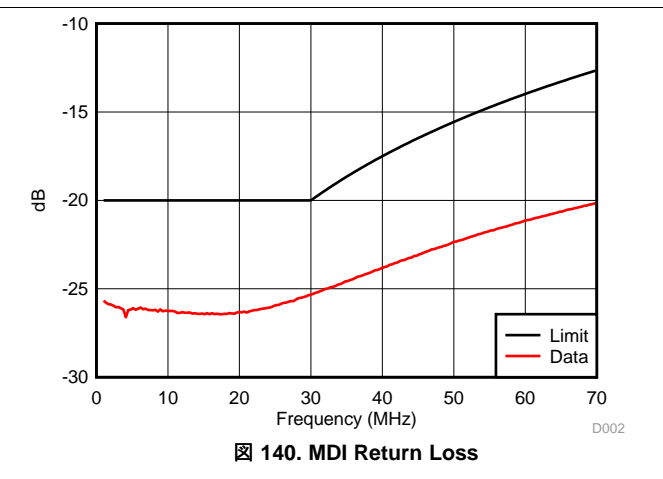
137. MDI IDLE Stream



138. MDI IDLE Stream (Variable Persistence)



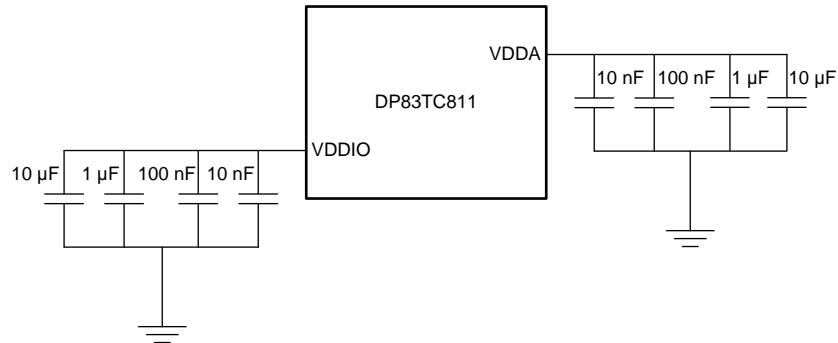
139. MDI Mode Conversion



140. MDI Return Loss

## 10 Power Supply Recommendations

The DP83TC811R-Q1 is capable of operating with a wide range of IO supply voltages (3.3 V, 2.5 V, or 1.8 V). No power supply sequencing is required. The recommended power supply de-coupling network is shown in [141](#). For improved conducted emissions, an optional ferrite bead may be placed between the supply and the PHY de-coupling network.



Copyright © 2018, Texas Instruments Incorporated

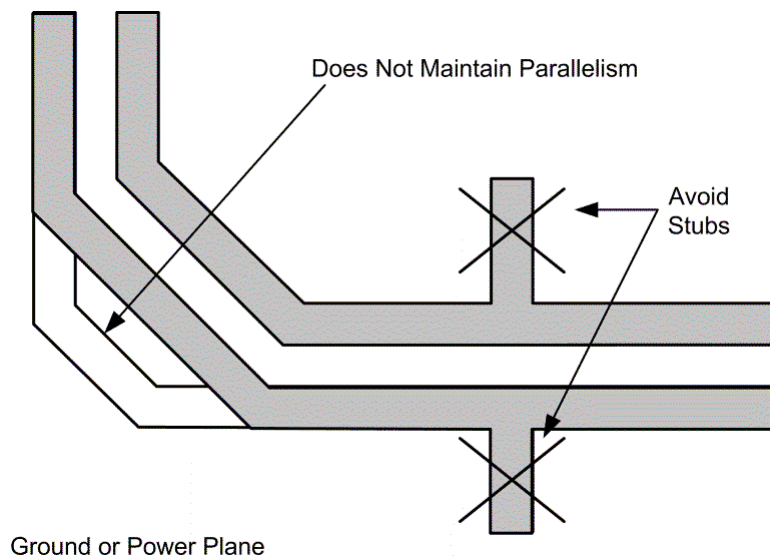
**141. Recommended Supply De-Coupling Network**

## 11 Layout

### 11.1 Layout Guidelines

#### 11.1.1 Signal Traces

PCB traces are lossy and long traces can degrade signal quality. Traces should be kept short as possible. Unless mentioned otherwise, all signal traces should be 50-Ω, single-ended impedance. Differential traces should be 50-Ω single-ended and 100-Ω differential. Take care to ensure impedance is controlled throughout. Impedance discontinuities will cause reflections leading to emissions and signal integrity issues. Stubs should be avoided on all signal traces, especially differential signal pairs.



**142. Differential Signal Trace Routing**

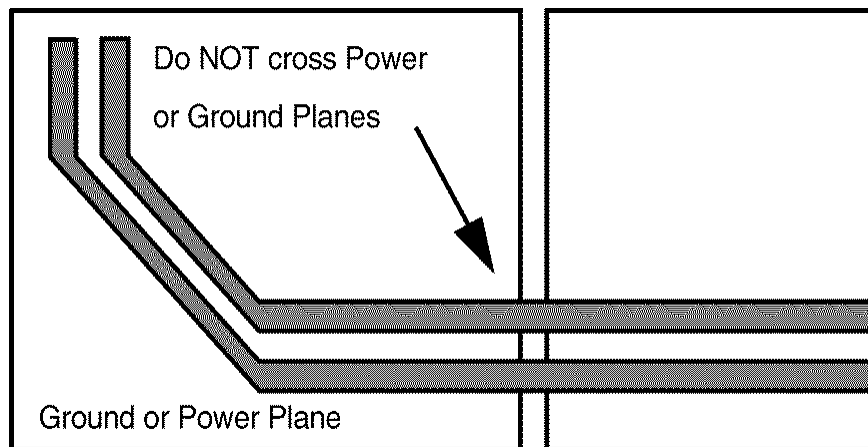
### Layout Guidelines (continued)

Within the differential pairs, trace lengths should be run parallel to each other and matched in length. Matched lengths minimize delay differences, avoiding an increase in common mode noise and emissions. Length matching is also important for MAC interface connections. All transmit signal traces should be length matched to each other and all receive signal traces should be length matched to each other.

Ideally, there should be no crossover or vias on signal path traces. Vias present impedance discontinuities and should be minimized when possible. Route trace pairs on the same layer. Signals on different layers should not cross each other without at least one return path plane between them. Differential pairs should always have a constant coupling distance between them. For convenience and efficiency, TI recommends routing critical signals first (that is, MDI differential pairs, reference clock, and MAC IF traces).

#### 11.1.2 Return Path

A general best practice is to have a solid return path beneath all signal traces. This return path can be a continuous ground or DC power plane. Reducing the width of the return path can potentially affect the impedance of the signal trace. This effect is more prominent when the width of the return path is comparable to the width of the signal trace. Breaks in return path between the signal traces should be avoided at all cost. A signal crossing a split plane may cause unpredictable return path currents and could impact signal quality and result in emissions issues.



⊠ 143. Power and Ground Plane Breaks

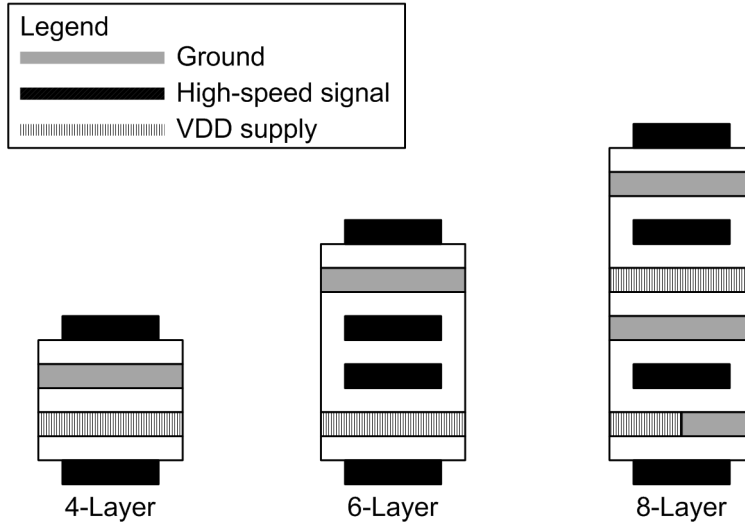
#### 11.1.3 Metal Pour

All metal pours that are not signals or power must be tied to ground. There must be no floating metal in the system, and there must be no metal between differential traces.

**Layout Guidelines (continued)**

**11.1.4 PCB Layer Stacking**

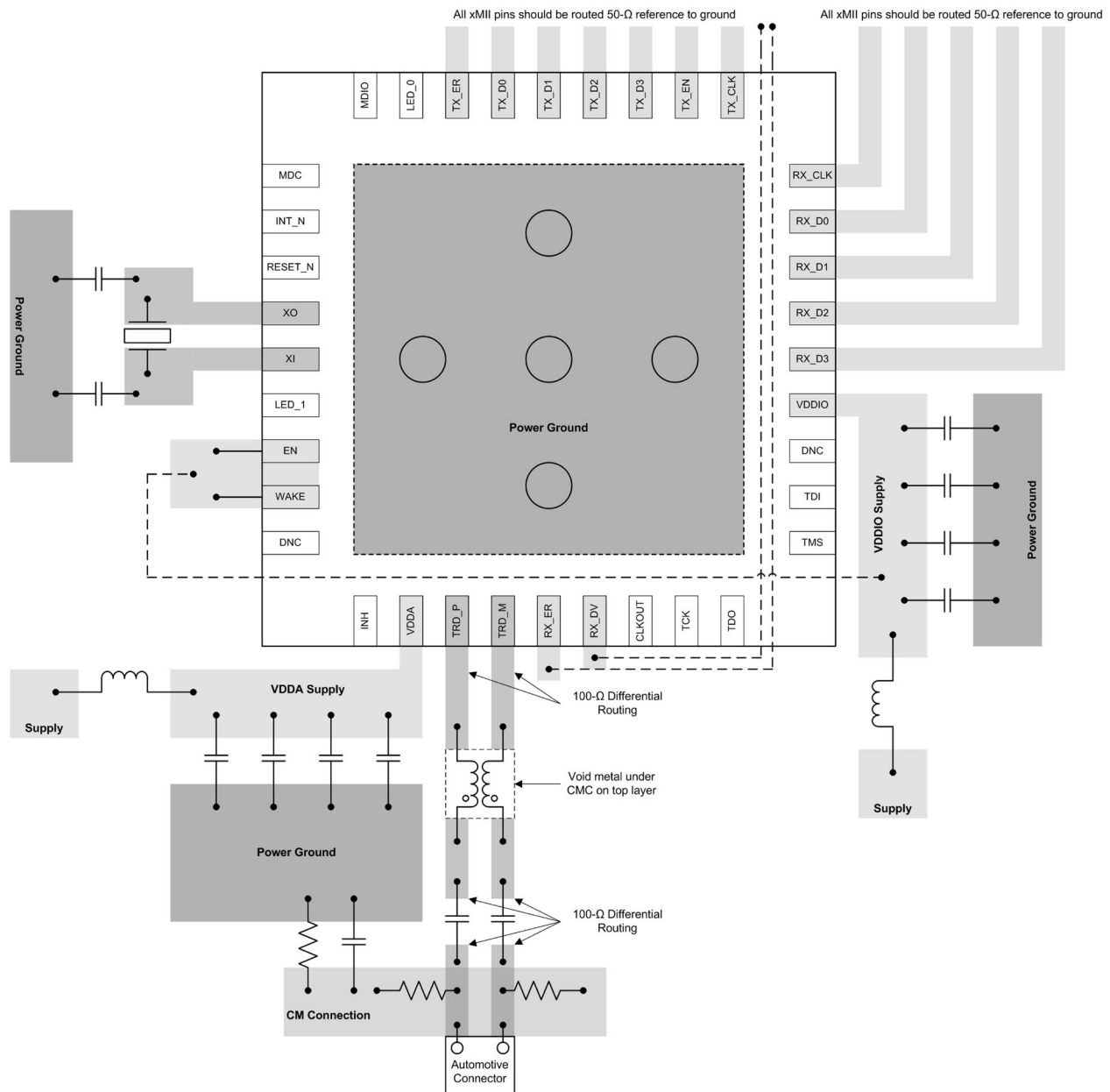
To meet signal integrity and performance requirements, minimum four-layer PCB is recommended. However, a six-layer PCB and above should be used when possible.



**144. Recommended PCB Layer Stack-Up**

## 11.2 Layout Example

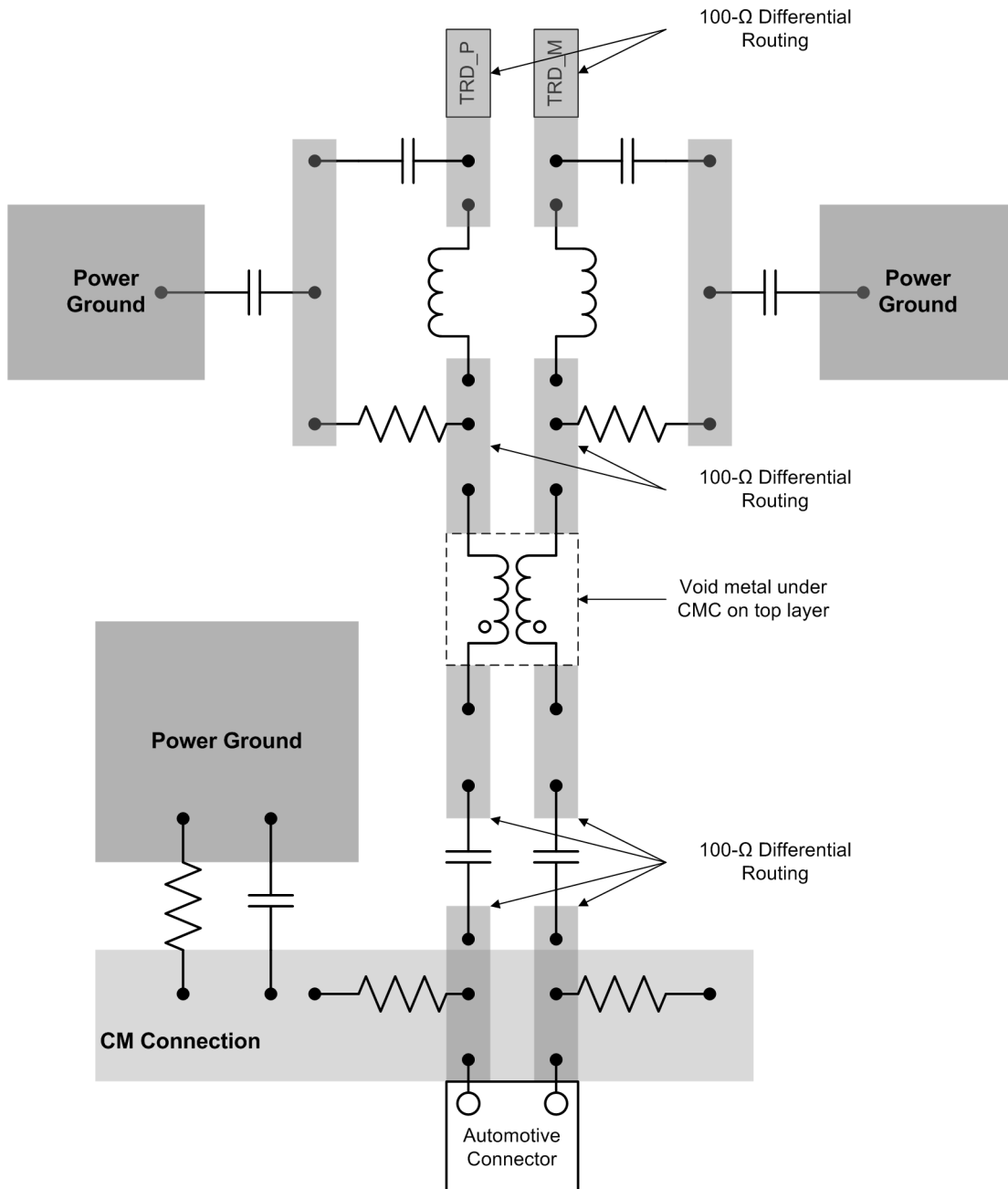
There are two evaluation board references for the DP83TC811R-Q1; the DP83TC811EVM is a media converter board specifically designed for interoperability and bit error rate testing while the DP83TC811SEVM is an xMII board for MAC interface support and compliance testing.



145. DP83TC811R-Q1 MII / RMII / RGMII Layout Recommendation



Layout Example (continued)



⊠ 146. MDI Low-Pass Filter Layout Recommendation

## 12 デバイスおよびドキュメントのサポート

### 12.1 ドキュメントの更新通知を受け取る方法

ドキュメントの更新についての通知を受け取るには、[ti.com](http://ti.com)のデバイス製品フォルダを開いてください。右上の隅にある「通知を受け取る」をクリックして登録すると、変更されたすべての製品情報に関するダイジェストを毎週受け取れます。変更の詳細については、修正されたドキュメントに含まれている改訂履歴をご覧ください。

### 12.2 コミュニティ・リソース

The following links connect to TI community resources. Linked contents are provided "AS IS" by the respective contributors. They do not constitute TI specifications and do not necessarily reflect TI's views; see TI's [Terms of Use](#).

**TI E2E™オンライン・コミュニティ** *TIのE2E (Engineer-to-Engineer) コミュニティ*。エンジニア間の共同作業を促進するために開設されたものです。e2e.ti.comでは、他のエンジニアに質問し、知識を共有し、アイデアを検討して、問題解決に役立てることができます。

**設計サポート** *TIの設計サポート* 役に立つE2Eフォーラムや、設計サポート・ツールをすばやく見つけることができます。技術サポート用の連絡先情報も参照できます。

### 12.3 商標

PHYTER, E2E are trademarks of Texas Instruments.  
All other trademarks are the property of their respective owners.

### 12.4 静電気放電に関する注意事項



すべての集積回路は、適切なESD保護方法を用いて、取扱いと保存を行うようにして下さい。

静電気放電はわずかな性能の低下から完全なデバイスの故障に至るまで、様々な損傷を与えます。高精度の集積回路は、損傷に対して敏感であり、極めてわずかなパラメータの変化により、デバイスに規定された仕様に適合しなくなる場合があります。

### 12.5 Glossary



**SLYZ022** — *TI Glossary*.

This glossary lists and explains terms, acronyms, and definitions.

## 13 メカニカル、パッケージ、および注文情報

以降のページには、メカニカル、パッケージ、および注文に関する情報が記載されています。この情報は、そのデバイスについて利用可能な最新のデータです。このデータは予告なく変更されることがあり、ドキュメントが改訂される場合もあります。本データシートのブラウザ版を使用されている場合は、画面左側の説明をご覧ください。

**PACKAGING INFORMATION**

| Orderable Device  | Status<br>(1) | Package Type | Package Drawing | Pins | Package Qty | Eco Plan<br>(2) | Lead finish/<br>Ball material<br>(6) | MSL Peak Temp<br>(3) | Op Temp (°C) | Device Marking<br>(4/5) | Samples   |
|-------------------|---------------|--------------|-----------------|------|-------------|-----------------|--------------------------------------|----------------------|--------------|-------------------------|---|
| DP83TC811RWRNDRQ1 | ACTIVE        | VQFNP        | RND             | 36   | 2000        | RoHS & Green    | NIPDAUAG                             | Level-3-260C-168 HR  | -40 to 125   | DP83TC811<br>A1R        |  |
| DP83TC811RWRNDTQ1 | ACTIVE        | VQFNP        | RND             | 36   | 250         | RoHS & Green    | NIPDAUAG                             | Level-3-260C-168 HR  | -40 to 125   | DP83TC811<br>A1R        |  |

(1) The marketing status values are defined as follows:

**ACTIVE:** Product device recommended for new designs.

**LIFEBUY:** TI has announced that the device will be discontinued, and a lifetime-buy period is in effect.

**NRND:** Not recommended for new designs. Device is in production to support existing customers, but TI does not recommend using this part in a new design.

**PREVIEW:** Device has been announced but is not in production. Samples may or may not be available.

**OBsolete:** TI has discontinued the production of the device.

(2) **RoHS:** TI defines "RoHS" to mean semiconductor products that are compliant with the current EU RoHS requirements for all 10 RoHS substances, including the requirement that RoHS substance do not exceed 0.1% by weight in homogeneous materials. Where designed to be soldered at high temperatures, "RoHS" products are suitable for use in specified lead-free processes. TI may reference these types of products as "Pb-Free".

**RoHS Exempt:** TI defines "RoHS Exempt" to mean products that contain lead but are compliant with EU RoHS pursuant to a specific EU RoHS exemption.

**Green:** TI defines "Green" to mean the content of Chlorine (Cl) and Bromine (Br) based flame retardants meet JS709B low halogen requirements of <=1000ppm threshold. Antimony trioxide based flame retardants must also meet the <=1000ppm threshold requirement.

(3) MSL, Peak Temp. - The Moisture Sensitivity Level rating according to the JEDEC industry standard classifications, and peak solder temperature.

(4) There may be additional marking, which relates to the logo, the lot trace code information, or the environmental category on the device.

(5) Multiple Device Markings will be inside parentheses. Only one Device Marking contained in parentheses and separated by a "~" will appear on a device. If a line is indented then it is a continuation of the previous line and the two combined represent the entire Device Marking for that device.

(6) Lead finish/Ball material - Orderable Devices may have multiple material finish options. Finish options are separated by a vertical ruled line. Lead finish/Ball material values may wrap to two lines if the finish value exceeds the maximum column width.

**Important Information and Disclaimer:**The information provided on this page represents TI's knowledge and belief as of the date that it is provided. TI bases its knowledge and belief on information provided by third parties, and makes no representation or warranty as to the accuracy of such information. Efforts are underway to better integrate information from third parties. TI has taken and continues to take reasonable steps to provide representative and accurate information but may not have conducted destructive testing or chemical analysis on incoming materials and chemicals. TI and TI suppliers consider certain information to be proprietary, and thus CAS numbers and other limited information may not be available for release.

In no event shall TI's liability arising out of such information exceed the total purchase price of the TI part(s) at issue in this document sold by TI to Customer on an annual basis.



**TAPE AND REEL INFORMATION**

**QUADRANT ASSIGNMENTS FOR PIN 1 ORIENTATION IN TAPE**


\*All dimensions are nominal

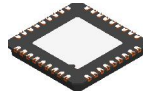
| Device            | Package Type | Package Drawing | Pins | SPQ  | Reel Diameter (mm) | Reel Width W1 (mm) | A0 (mm) | B0 (mm) | K0 (mm) | P1 (mm) | W (mm) | Pin1 Quadrant |
|-------------------|--------------|-----------------|------|------|--------------------|--------------------|---------|---------|---------|---------|--------|---------------|
| DP83TC811RWRNDRQ1 | VQFN         | RND             | 36   | 2000 | 330.0              | 16.4               | 6.3     | 6.3     | 1.1     | 12.0    | 16.0   | Q2            |
| DP83TC811RWRNDTQ1 | VQFN         | RND             | 36   | 250  | 180.0              | 16.4               | 6.3     | 6.3     | 1.1     | 12.0    | 16.0   | Q2            |

**TAPE AND REEL BOX DIMENSIONS**


\*All dimensions are nominal

| Device            | Package Type | Package Drawing | Pins | SPQ  | Length (mm) | Width (mm) | Height (mm) |
|-------------------|--------------|-----------------|------|------|-------------|------------|-------------|
| DP83TC811RWRNDRQ1 | VQFNP        | RND             | 36   | 2000 | 367.0       | 367.0      | 38.0        |
| DP83TC811RWRNDTQ1 | VQFNP        | RND             | 36   | 250  | 210.0       | 185.0      | 35.0        |

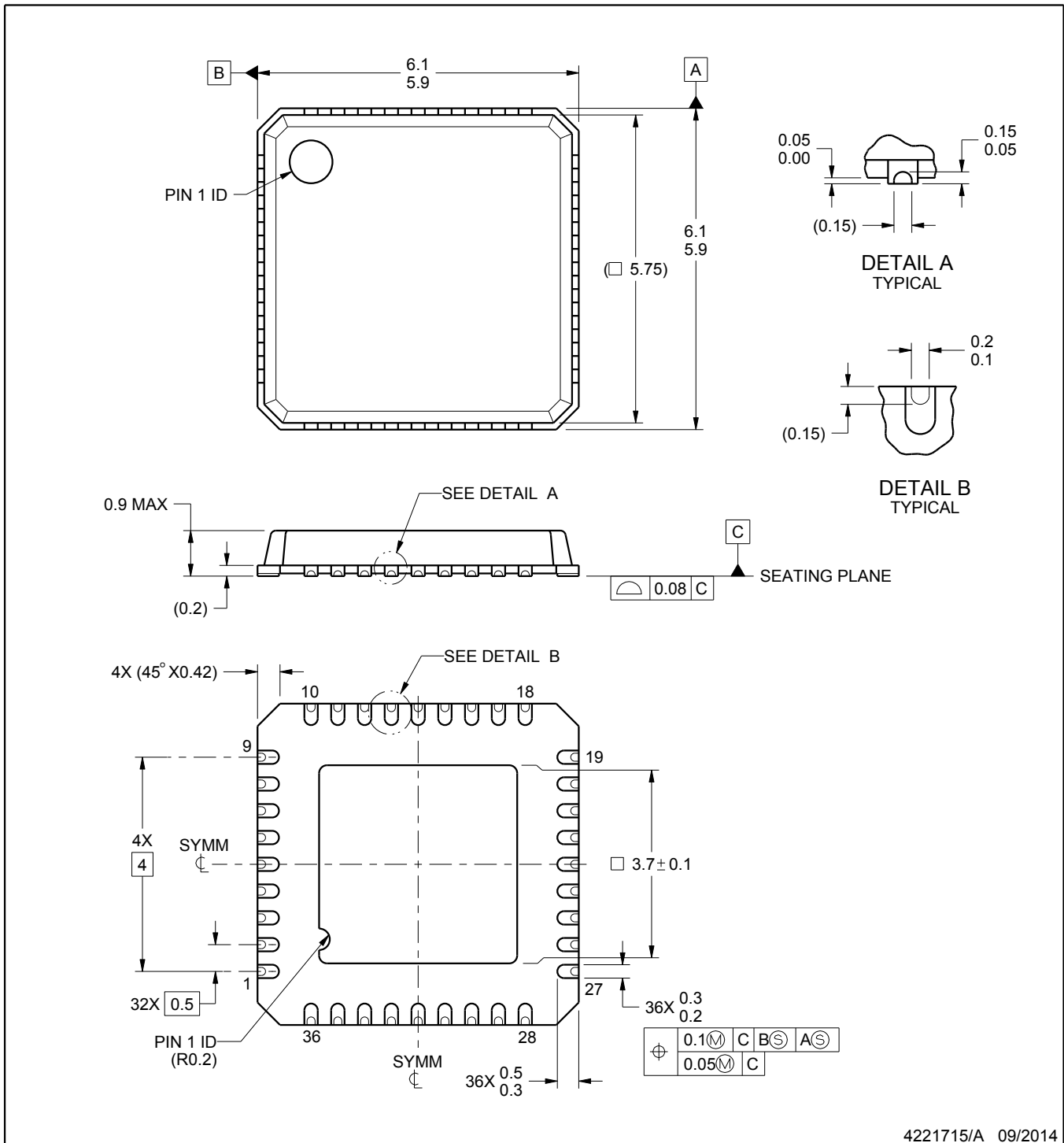
RND0036A



PACKAGE OUTLINE

VQFN - 0.9 mm max height

PLASTIC QUAD FLATPACK - NO LEAD



4221715/A 09/2014

NOTES:

1. All linear dimensions are in millimeters. Any dimensions in parenthesis are for reference only. Dimensioning and tolerancing per ASME Y14.5M.
2. This drawing is subject to change without notice.
3. The package thermal pad must be soldered to the printed circuit board for thermal and mechanical performance.



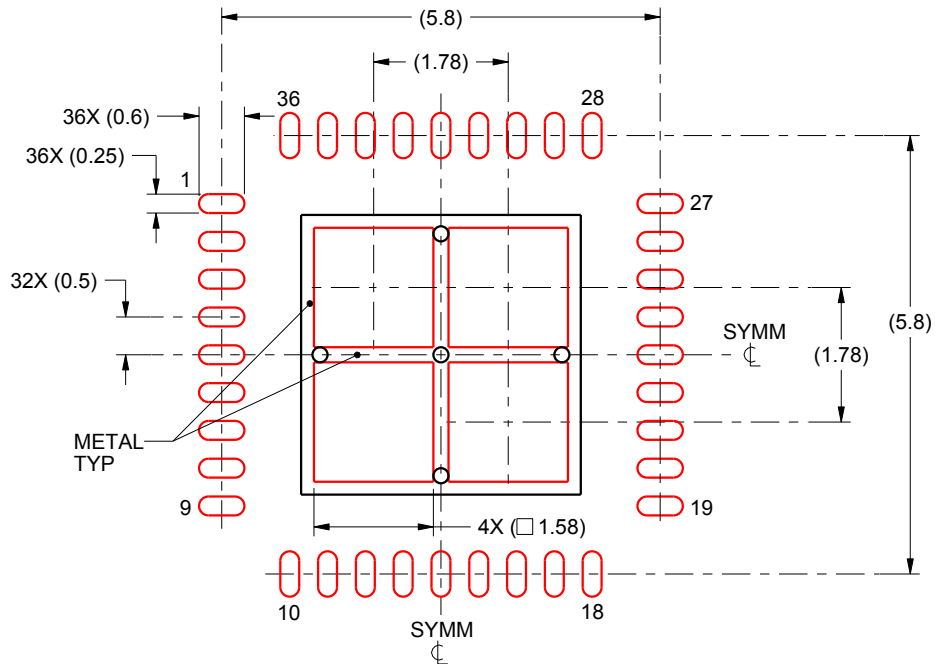


# EXAMPLE STENCIL DESIGN

RND0036A

VQFN - 0.9 mm max height

PLASTIC QUAD FLATPACK - NO LEAD



SOLDER PASTE EXAMPLE  
BASED ON 0.125 mm THICK STENCIL

EXPOSED PAD  
73% PRINTED SOLDER COVERAGE BY AREA  
SCALE:10X

4221715/A 09/2014

NOTES: (continued)

5. Laser cutting apertures with trapezoidal walls and rounded corners may offer better paste release. IPC-7525 may have alternate design recommendations.

## 重要なお知らせと免責事項

TI は、技術データと信頼性データ (データシートを含みます)、設計リソース (リファレンス・デザインを含みます)、アプリケーションや設計に関する各種アドバイス、Web ツール、安全性情報、その他のリソースを、欠陥が存在する可能性のある「現状のまま」提供しており、商品性および特定目的に対する適合性の黙示保証、第三者の知的財産権の非侵害保証を含むいかなる保証も、明示的または黙示的にかかわらず拒否します。

これらのリソースは、TI 製品を使用する設計の経験を積んだ開発者への提供を意図したものです。(1) お客様のアプリケーションに適した TI 製品の選定、(2) お客様のアプリケーションの設計、検証、試験、(3) お客様のアプリケーションに該当する各種規格や、その他のあらゆる安全性、セキュリティ、規制、または他の要件への確実な適合に関する責任を、お客様のみが単独で負うものとし、

上記の各種リソースは、予告なく変更される可能性があります。これらのリソースは、リソースで説明されている TI 製品を使用するアプリケーションの開発の目的でのみ、TI はその使用をお客様に許諾します。これらのリソースに関して、他の目的で複製することや掲載することは禁止されています。TI や第三者の知的財産権のライセンスが付与されている訳ではありません。お客様は、これらのリソースを自身で使用した結果発生するあらゆる申し立て、損害、費用、損失、責任について、TI およびその代理人を完全に補償するものとし、TI は一切の責任を拒否します。

TI の製品は、[TI の販売条件](#)、または [ti.com](#) やかかる TI 製品の関連資料などのいずれかを通じて提供する適用可能な条項の下で提供されています。TI がこれらのリソースを提供することは、適用される TI の保証または他の保証の放棄の拡大や変更を意味するものではありません。

お客様がいかなる追加条項または代替条項を提案した場合でも、TI はそれらに異議を唱え、拒否します。

郵送先住所 : Texas Instruments, Post Office Box 655303, Dallas, Texas 75265  
Copyright © 2024, Texas Instruments Incorporated