

WiLink™ 4.0 single-chip mobile WLAN solutions



Key features:

- Complete WLAN hardware and software solutions optimized for mobile IEEE 802.11b/g, IEEE 802.11a/b/g applications
- Single-chip 802.11 Media Access Controller/Baseband/RF transceiver WLAN solutions (WL1251 and WL1253) reduce BOM costs, save PCB space and extend standby and talk times
- Voice over WLAN (VoWLAN)-ready: Sophisticated power-saving sleep modes match the packet and traffic characteristics of VoWLAN applications
- First WLAN solutions using 90 nm manufacturing process and uses TI's DRP™ technology to enable market leading physical size (6 mm x 6 mm BGA) and low power consumption
- Industry's lowest power consumption with TI's ELP™ technology extends battery life of handsets, wireless PDAs and other mobile devices
- *Bluetooth*® coexistence technology ensures high quality of service during simultaneous voice and data WLAN and *Bluetooth* operations

P R O D U C T B U L L E T I N

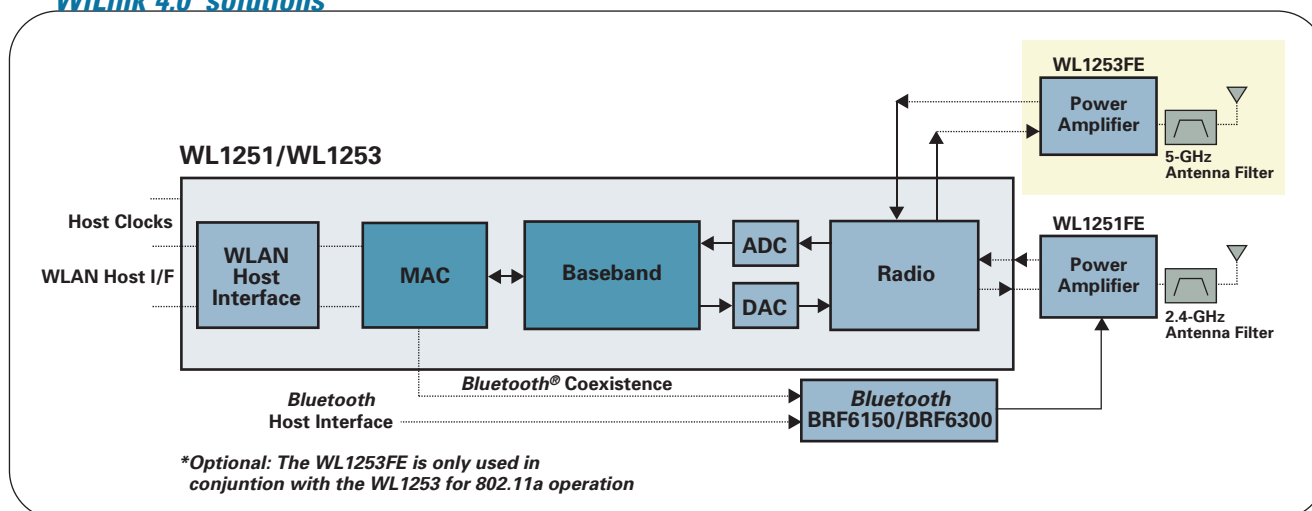
Overview

Texas Instruments' (TI's) WiLink™ 4.0 mobile WLAN platform is a complete hardware and software offering optimized for mobile phones. TI's WiLink 4.0 platform offers two different hardware single-chip implementations to provide flexibility for OEMs to offer IEEE 802.11b/g or IEEE 802.11a/b/g operation. The WL1251 WiLink 4.0 802.11b/g solution and the WL1253 WiLink 4.0 802.11a/b/g solution are single chips which integrate the media access controller (MAC), baseband processor and RF transceiver. Additionally, both single chips support IEEE 802.11e/i/d/k and the WL1253 WiLink 4.0 802.11a/b/g solution also supports IEEE 802.11h/j.

The WL1251 and WL1253 WiLink 4.0 single-chip solutions are manufactured in 90 nm process technology and make extend TI's leadership in single-chip integrated solutions using TI's DRP™ technology. Both single-chip solutions are pin-for-pin compatible to simplify manufacturers' product line strategies for 802.11b/g and 802.11a/b/g products. This compatibility enables just-in-time manufacturing options that are responsive to marketplace demand and design reuse to speed time-to-market of new products.

The WiLink Software Development Kit (SDK) 4.X included with the WiLink 4.0 platform is optimized for embedded applications. This includes support for Linux®, Windows® WinCE™, Symbian™ operating systems, as well as lab testing and manufacturing software. It is also partitioned to minimize host CPU loading and power consumption in mobile applications.

WiLink 4.0 solutions



The WiLink 4.0 platform also includes support for Voice over WLAN (VoWLAN) applications which are driving WLAN adoption in mobile devices. As single-chip solutions with low cost, power and small size, the WL1251 and WL1253 WiLink 4.0 solutions are driving VoWLAN access into consumer cell phones. WiLink 4.0 solutions are VoWLAN-ready with support of:

- UMA (Unlicensed Mobile Access) technology
- VoIP over WLAN
- Quality of service, WPA, WPA2, CCX2.0, 3.0 and 4.0 for application specific devices
- Advanced roaming support enabling rapid migration between access points and between WLAN and cellular subsystems

The WiLink 4.0 mobile WLAN solutions have been optimized for low-power, battery-driven mobile wireless communications. As such, they support extended talk time as well as longer standby times by using TI's ELP™ technology for low power standby modes and other advanced technology to deliver maximum battery life.

Designed for interoperability and coexistence, the WiLink 4.0 mobile WLAN single-chip solutions are capable of cost-efficient collaboration and effective coexistence with short-range *Bluetooth* personal area networking (PAN). For instance, WLAN and *Bluetooth* technologies are able to share the same antenna and antenna filter, reducing bill of materials (BOM) costs and circuit board space. In addition, TI's WLAN/*Bluetooth* coexistence technology ensures effective simultaneous operations of voice and data.

www.ti.com/wireless

Important Notice: The products and services of Texas Instruments Incorporated and its subsidiaries described herein are sold subject to TI's standard terms and conditions of sale. Customers are advised to obtain the most current and complete information about TI products and services before placing orders. TI assumes no liability for applications assistance, customer's applications or product designs, software performance, or infringement of patents. The publication of information regarding any other company's products or services does not constitute TI's approval, warranty or endorsement thereof.

Technology for Innovators, the black/red banner, WiLink, ELP and DRP are trademarks of Texas Instruments. The Bluetooth word mark and logos are owned by the Bluetooth SIG, Inc., and any use of such marks by Texas Instruments is under license. All other trademarks are the property of their respective owners.

B011905

IMPORTANT NOTICE

Texas Instruments Incorporated and its subsidiaries (TI) reserve the right to make corrections, modifications, enhancements, improvements, and other changes to its products and services at any time and to discontinue any product or service without notice. Customers should obtain the latest relevant information before placing orders and should verify that such information is current and complete. All products are sold subject to TI's terms and conditions of sale supplied at the time of order acknowledgment.

TI warrants performance of its hardware products to the specifications applicable at the time of sale in accordance with TI's standard warranty. Testing and other quality control techniques are used to the extent TI deems necessary to support this warranty. Except where mandated by government requirements, testing of all parameters of each product is not necessarily performed.

TI assumes no liability for applications assistance or customer product design. Customers are responsible for their products and applications using TI components. To minimize the risks associated with customer products and applications, customers should provide adequate design and operating safeguards.

TI does not warrant or represent that any license, either express or implied, is granted under any TI patent right, copyright, mask work right, or other TI intellectual property right relating to any combination, machine, or process in which TI products or services are used. Information published by TI regarding third-party products or services does not constitute a license from TI to use such products or services or a warranty or endorsement thereof. Use of such information may require a license from a third party under the patents or other intellectual property of the third party, or a license from TI under the patents or other intellectual property of TI.

Reproduction of TI information in TI data books or data sheets is permissible only if reproduction is without alteration and is accompanied by all associated warranties, conditions, limitations, and notices. Reproduction of this information with alteration is an unfair and deceptive business practice. TI is not responsible or liable for such altered documentation. Information of third parties may be subject to additional restrictions.

Resale of TI products or services with statements different from or beyond the parameters stated by TI for that product or service voids all express and any implied warranties for the associated TI product or service and is an unfair and deceptive business practice. TI is not responsible or liable for any such statements.

TI products are not authorized for use in safety-critical applications (such as life support) where a failure of the TI product would reasonably be expected to cause severe personal injury or death, unless officers of the parties have executed an agreement specifically governing such use. Buyers represent that they have all necessary expertise in the safety and regulatory ramifications of their applications, and acknowledge and agree that they are solely responsible for all legal, regulatory and safety-related requirements concerning their products and any use of TI products in such safety-critical applications, notwithstanding any applications-related information or support that may be provided by TI. Further, Buyers must fully indemnify TI and its representatives against any damages arising out of the use of TI products in such safety-critical applications.

TI products are neither designed nor intended for use in military/aerospace applications or environments unless the TI products are specifically designated by TI as military-grade or "enhanced plastic." Only products designated by TI as military-grade meet military specifications. Buyers acknowledge and agree that any such use of TI products which TI has not designated as military-grade is solely at the Buyer's risk, and that they are solely responsible for compliance with all legal and regulatory requirements in connection with such use.

TI products are neither designed nor intended for use in automotive applications or environments unless the specific TI products are designated by TI as compliant with ISO/TS 16949 requirements. Buyers acknowledge and agree that, if they use any non-designated products in automotive applications, TI will not be responsible for any failure to meet such requirements.

Following are URLs where you can obtain information on other Texas Instruments products and application solutions:

Products

Audio	www.ti.com/audio
Amplifiers	amplifier.ti.com
Data Converters	dataconverter.ti.com
DLP® Products	www.dlp.com
DSP	dsp.ti.com
Clocks and Timers	www.ti.com/clocks
Interface	interface.ti.com
Logic	logic.ti.com
Power Mgmt	power.ti.com
Microcontrollers	microcontroller.ti.com
RFID	www.ti-rfid.com
OMAP Mobile Processors	www.ti.com/omap
Wireless Connectivity	www.ti.com/wirelessconnectivity

Applications

Automotive and Transportation	www.ti.com/automotive
Communications and Telecom	www.ti.com/communications
Computers and Peripherals	www.ti.com/computers
Consumer Electronics	www.ti.com/consumer-apps
Energy and Lighting	www.ti.com/energy
Industrial	www.ti.com/industrial
Medical	www.ti.com/medical
Security	www.ti.com/security
Space, Avionics and Defense	www.ti.com/space-avionics-defense
Video and Imaging	www.ti.com/video

TI E2E Community Home Page

e2e.ti.com

Mailing Address: Texas Instruments, Post Office Box 655303, Dallas, Texas 75265
Copyright © 2012, Texas Instruments Incorporated