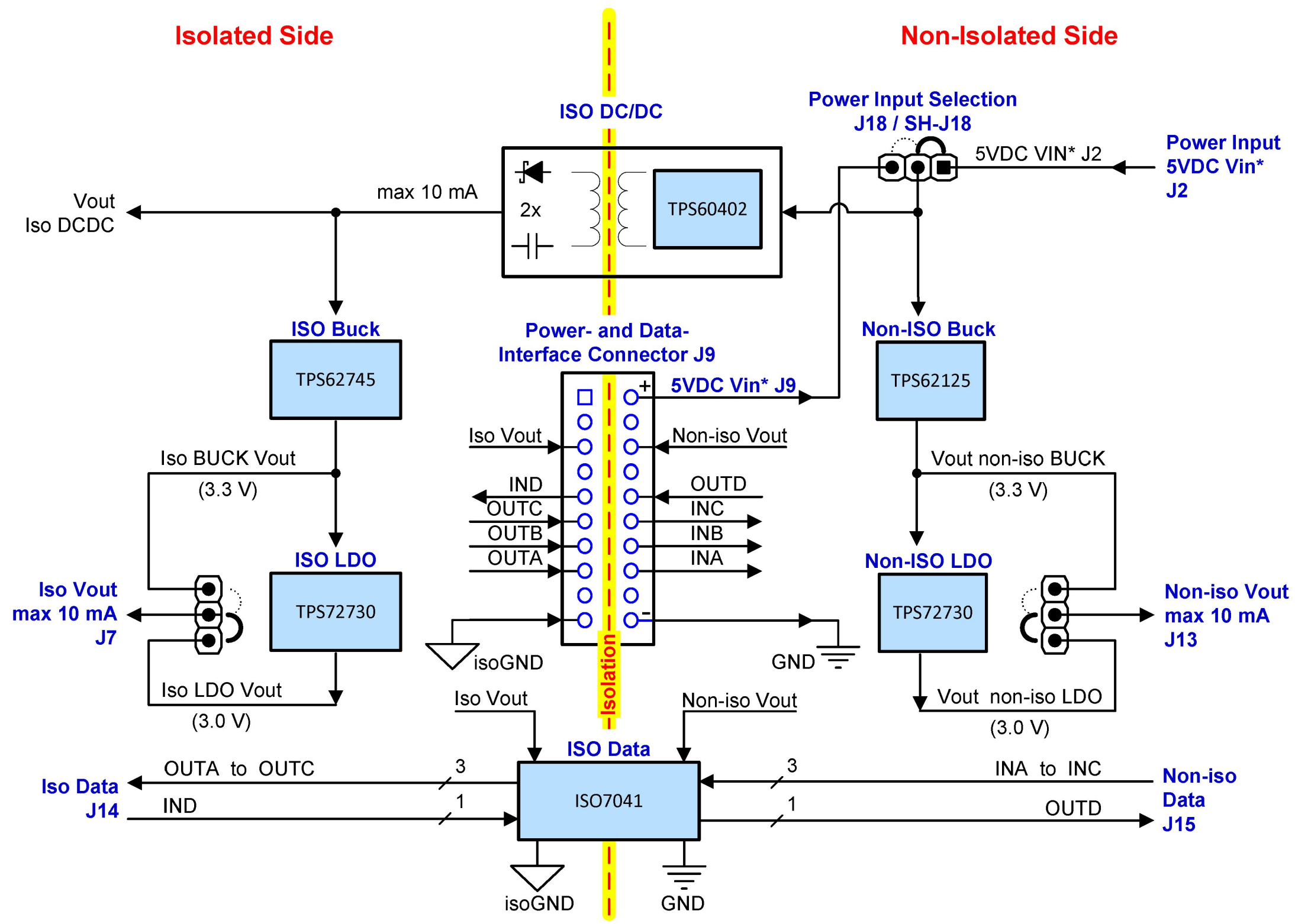


Revision History				
Rev	ECN #	Approved Date	Approved by	Notes
N/A	N/A	N/A	N/A	N/A



CAUTION:

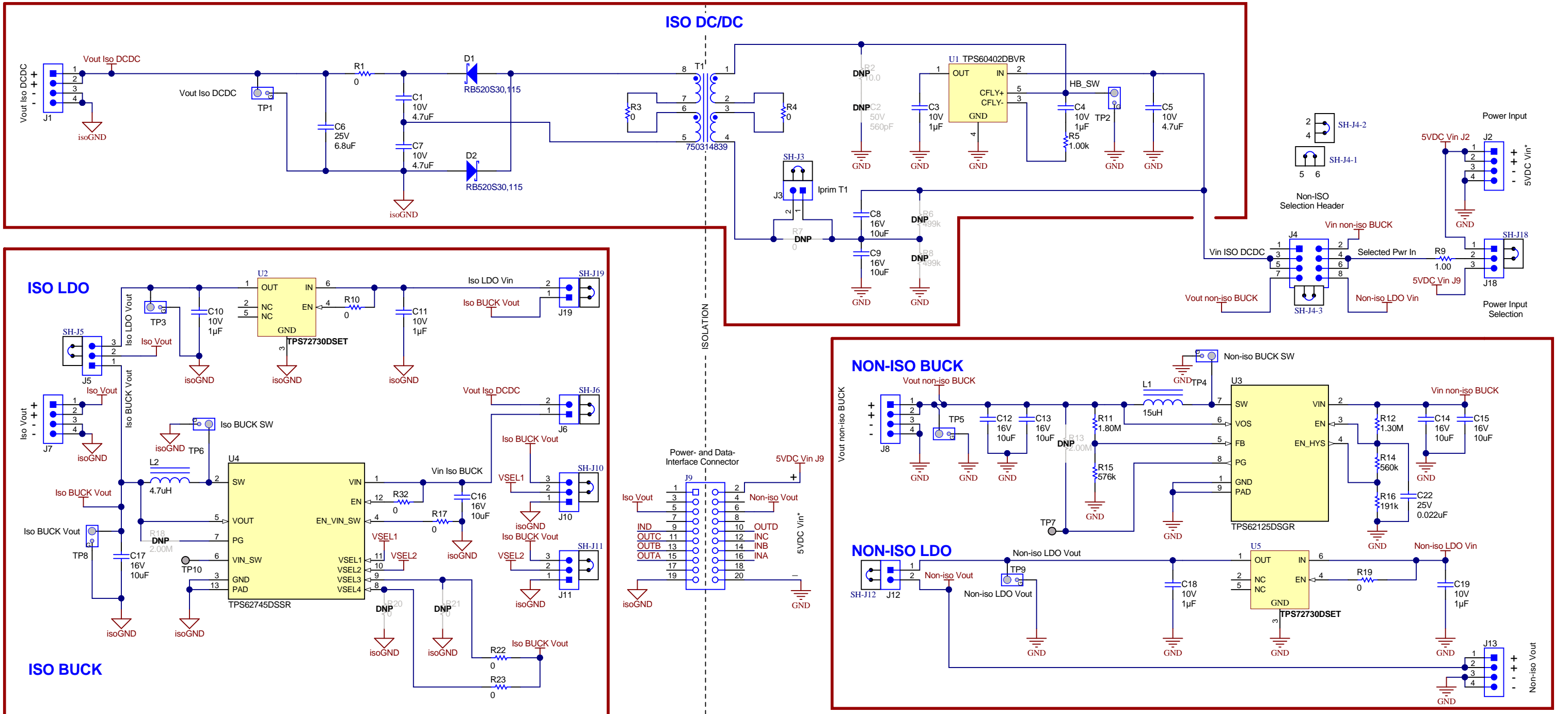
This reference design is made available for parameter performance evaluation only and is not intended for isolation voltage testing. To prevent damage to the reference design, any voltage applied as a supply or digital input/output must be maintained within the recommended operating range as given in the datasheet of the used devices.

*** WARNING:**

To minimize the risk of fire, the user's power source shall not exceed the maximum ratings of 5.25 VDC / 30 mA. Refer to user guide. Use only the top-side header J2 **OR** the bottom-side Power- and Data-Interface Connector (receptacle J9) as the reference design's power input. Use the Power Input Selection header (J18) and related jumper SHJ18 to select either J2 or J9 as the reference design's sole power input.

Texas Instruments and/or its licensors do not warrant the accuracy or completeness of this specification or any information contained therein. Texas Instruments and/or its licensors do not warrant that this design will meet the specifications, will be suitable for your application or fit for any particular purpose, or will operate in an implementation. Texas Instruments and/or its licensors do not warrant that the design is production worthy. You should completely validate and test your design implementation to confirm the system functionality for your application.

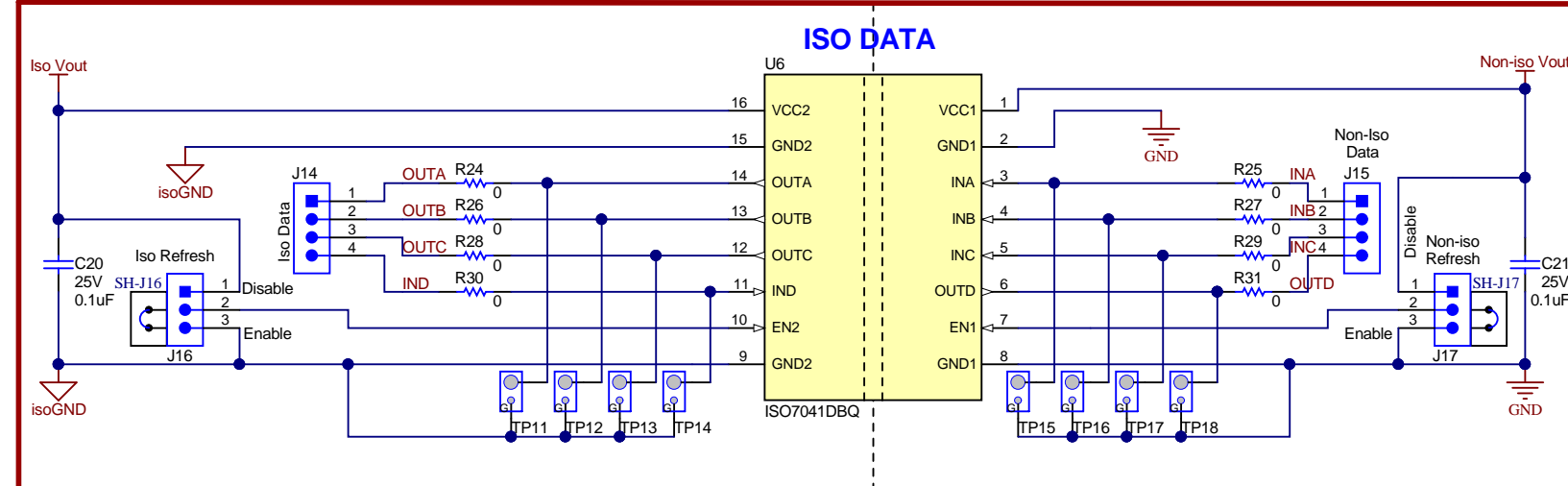
Orderable: ChangeMe in variant	Designed for: Public Release	Mod. Date: 1/14/2019	 http://www.ti.com © Texas Instruments 2018
TID #: TIDA-010018	Project Title: Iso Power and Datafor Low Power Applications	Sheet: 1 of 3	
Number: TIDA-010018 Rev: E2	Sheet Title: Block Diagram	Size: B	
SVN Rev: Not in version control	Assembly Variant: 002	Contact: http://www.ti.com/support	
Drawn By: Juergen Schneider	File: TIDA-010018_Block Diagram_SchDoc		



CAUTION

This reference design is made available for parameter performance evaluation only and is not intended for isolation voltage testing.

To prevent damage to the reference design, any voltage applied as a supply or digital input/output must be maintained within the recommended operating range as given in the datasheet of the used devices.



*** WARNING**

To minimize the risk of fire, the user's power source shall not exceed the maximum ratings of 5.25 VDC / 30 mA. Refer to user guide.

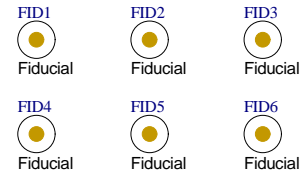
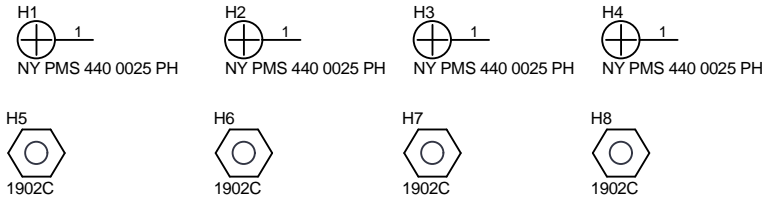
Use only the top-side header J2 OR the bottom-side Power- and Data-Interface Connector (receptacle J9) as the reference design's power input.

Use the Power Input Selection header (J18) and related jumper SHJ18 to select either J2 or J9 as the reference design's sole power input.

Texas Instruments and/or its licensors do not warrant the accuracy or completeness of this specification or any information contained therein. Texas Instruments and/or its licensors do not warrant that this design will meet the specifications, will be suitable for your application or fit for any particular purpose, or will operate in an implementation. Texas Instruments and/or its licensors do not warrant that the design is production worthy. You should completely validate and test your design implementation to confirm the system functionality for your application.

Orderable: ChangeMe in variant	Designed for: Public Release	Mod. Date: 1/25/2019
TID #: TIDA-010018	Project Title: Iso Power and Datafor Low Power Applications	
Number: TIDA-010018	Rev: E2	Sheet Title: Schematic
SVN Rev: Not in version control	Assembly Variant: 002	Sheet: 2 of 3
Drawn By: Duoduo Cheng	File: TIDA-010018_Schematic.SchDoc	Size: B
Engineer: Juergen Schneider	Contact: http://www.ti.com/support	





PCB Number: TIDA-010018
PCB Rev: E2

PCB
LOGO
FCC disclaimer

PCB
LOGO
WEEE logo

PCB
LOGO
Warning

PCB
LOGO
Read User Guide

PCB
LOGO
Warning

You should delete the nylon screws/standoffs and/or the bumpons as needed for your design (or substitute other parts from Hardware.IntLib). Bumpons are cheaper, but provide less clearance.

Deleting anything else from this page may result in your EVM submission being rejected (until you add them back).

Update the Label Text in the Label Table as needed for each Assembly Variant.

You should delete this note too.

Variant/Label Table	
Variant	Label Text
001	ChangeMe!
002	ChangeMe!

LBL1
PCB Label
THT-14-423-10
Size: 0.65" x 0.20 "

ZZ1
Label Assembly Note
This Assembly Note is for PCB labels only

ZZ2
Assembly Note
These assemblies are ESD sensitive, ESD precautions shall be observed.

ZZ3
Assembly Note
These assemblies must be clean and free from flux and all contaminants. Use of no clean flux is not acceptable.

ZZ4
Assembly Note
These assemblies must comply with workmanship standards IPC-A-610 Class 2, unless otherwise specified.

IMPORTANT NOTICE AND DISCLAIMER

TI PROVIDES TECHNICAL AND RELIABILITY DATA (INCLUDING DATASHEETS), DESIGN RESOURCES (INCLUDING REFERENCE DESIGNS), APPLICATION OR OTHER DESIGN ADVICE, WEB TOOLS, SAFETY INFORMATION, AND OTHER RESOURCES "AS IS" AND WITH ALL FAULTS, AND DISCLAIMS ALL WARRANTIES, EXPRESS AND IMPLIED, INCLUDING WITHOUT LIMITATION ANY IMPLIED WARRANTIES OF MERCHANTABILITY, FITNESS FOR A PARTICULAR PURPOSE OR NON-INFRINGEMENT OF THIRD PARTY INTELLECTUAL PROPERTY RIGHTS.

These resources are intended for skilled developers designing with TI products. You are solely responsible for (1) selecting the appropriate TI products for your application, (2) designing, validating and testing your application, and (3) ensuring your application meets applicable standards, and any other safety, security, or other requirements. These resources are subject to change without notice. TI grants you permission to use these resources only for development of an application that uses the TI products described in the resource. Other reproduction and display of these resources is prohibited. No license is granted to any other TI intellectual property right or to any third party intellectual property right. TI disclaims responsibility for, and you will fully indemnify TI and its representatives against, any claims, damages, costs, losses, and liabilities arising out of your use of these resources.

TI's products are provided subject to TI's Terms of Sale (www.ti.com/legal/termsofsale.html) or other applicable terms available either on ti.com or provided in conjunction with such TI products. TI's provision of these resources does not expand or otherwise alter TI's applicable warranties or warranty disclaimers for TI products.

Mailing Address: Texas Instruments, Post Office Box 655303, Dallas, Texas 75265
Copyright © 2019, Texas Instruments Incorporated