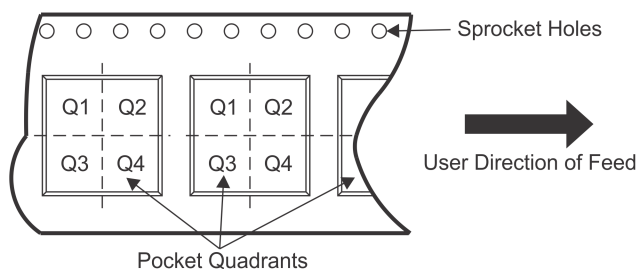
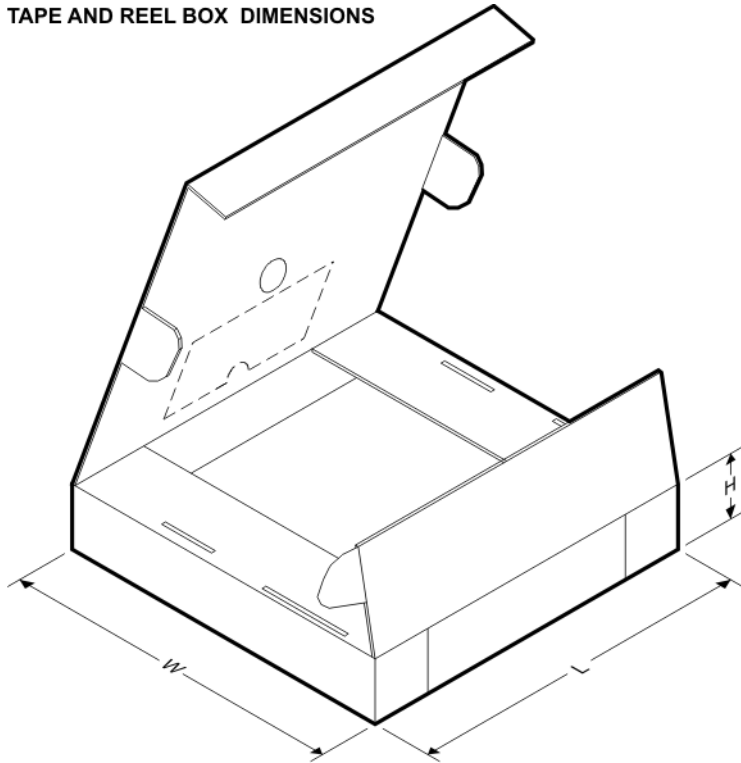


**TAPE AND REEL INFORMATION**

**QUADRANT ASSIGNMENTS FOR PIN 1 ORIENTATION IN TAPE**


\*All dimensions are nominal

| Device           | Package Type | Package Drawing | Pins | SPQ  | Reel Diameter (mm) | Reel Width W1 (mm) | A0 (mm) | B0 (mm) | K0 (mm) | P1 (mm) | W (mm) | Pin1 Quadrant |
|------------------|--------------|-----------------|------|------|--------------------|--------------------|---------|---------|---------|---------|--------|---------------|
| TPS622314TDRYRQ1 | SON          | DRY             | 6    | 5000 | 179.0              | 8.4                | 1.2     | 1.65    | 0.69    | 4.0     | 8.0    | Q1            |
| TPS62231TDRYRQ1  | SON          | DRY             | 6    | 5000 | 179.0              | 8.4                | 1.2     | 1.65    | 0.69    | 4.0     | 8.0    | Q1            |

**TAPE AND REEL BOX DIMENSIONS**


\*All dimensions are nominal

| Device           | Package Type | Package Drawing | Pins | SPQ  | Length (mm) | Width (mm) | Height (mm) |
|------------------|--------------|-----------------|------|------|-------------|------------|-------------|
| TPS622314TDRYRQ1 | SON          | DRY             | 6    | 5000 | 213.0       | 191.0      | 35.0        |
| TPS62231TDRYRQ1  | SON          | DRY             | 6    | 5000 | 213.0       | 191.0      | 35.0        |