

# AFE77xx Power Solution Design Recommendations

## 1 Trademarks

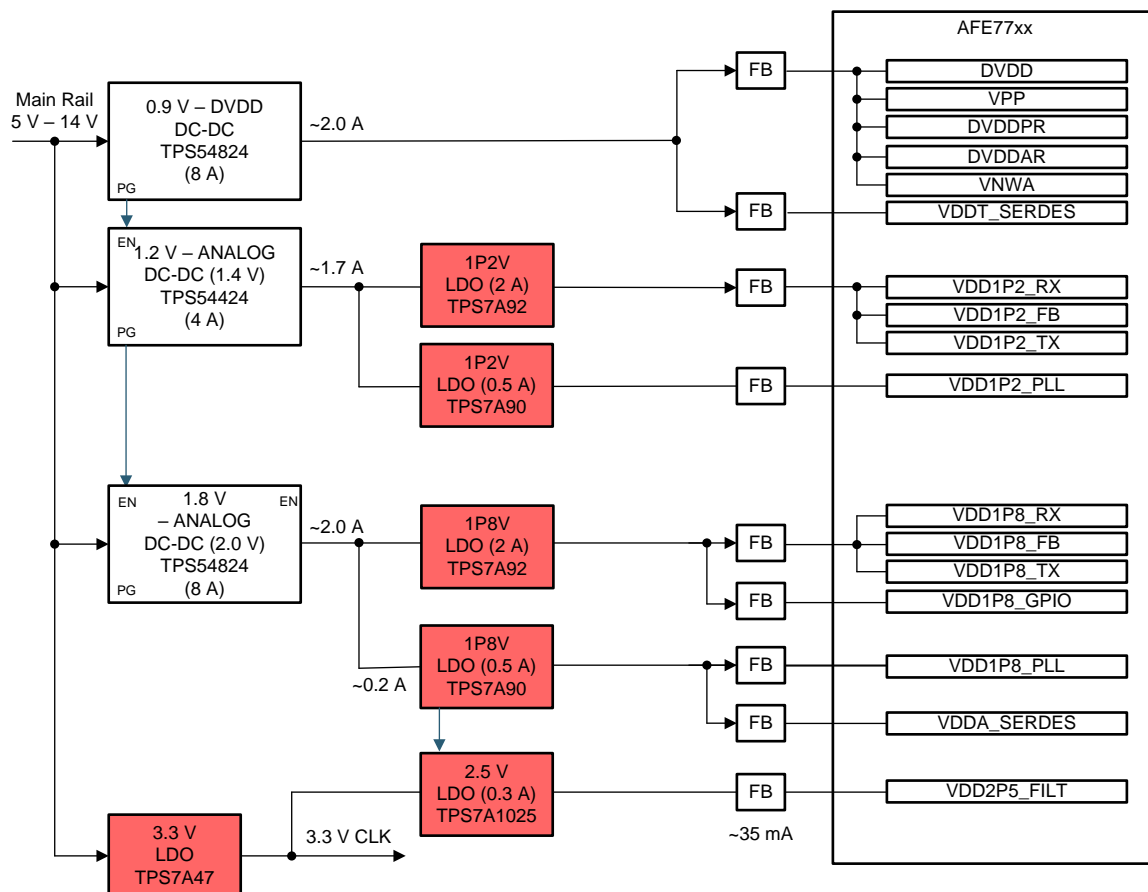
All trademarks are the property of their respective owners.

## 2 Introduction

This report provides a block diagram recommendation for an AFE77xx device power solution. The provided solutions support one, two, or four combined AFE77xx devices. The recommendations include options for a conservative approach using LDOs on all analog supplies, and a hybrid approach using LDOs only on the sensitive PLL supplies.

## 3 Conservative Power Solution

Figure 1 – Figure 3 illustrate recommendations for a conservative power supply solution using LDOs on all analog rails for a one, two, or four AFE configuration.



**Figure 1. Conservative Single AFE Power Solution**

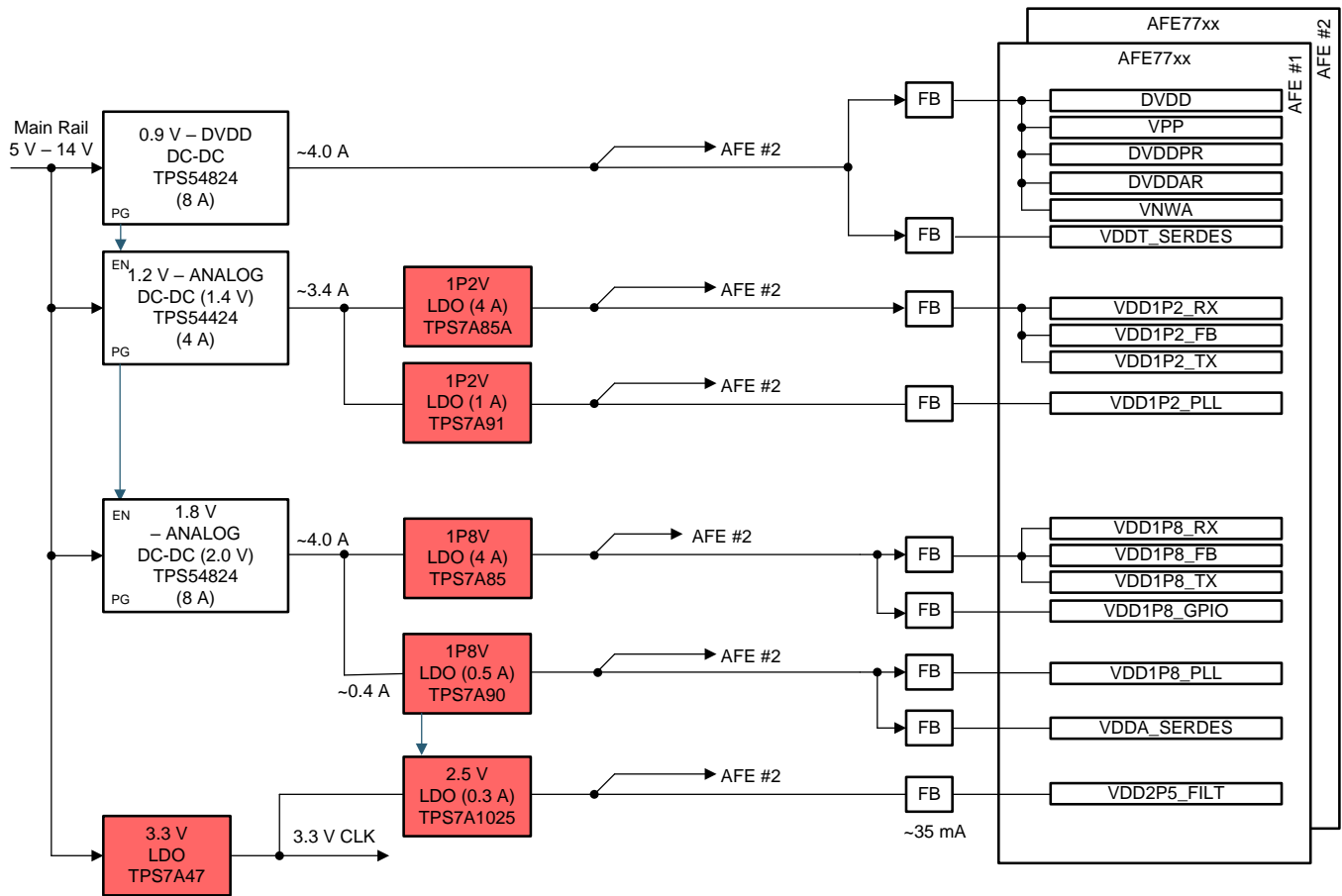


Figure 2. Conservative 2x AFE Power Solution

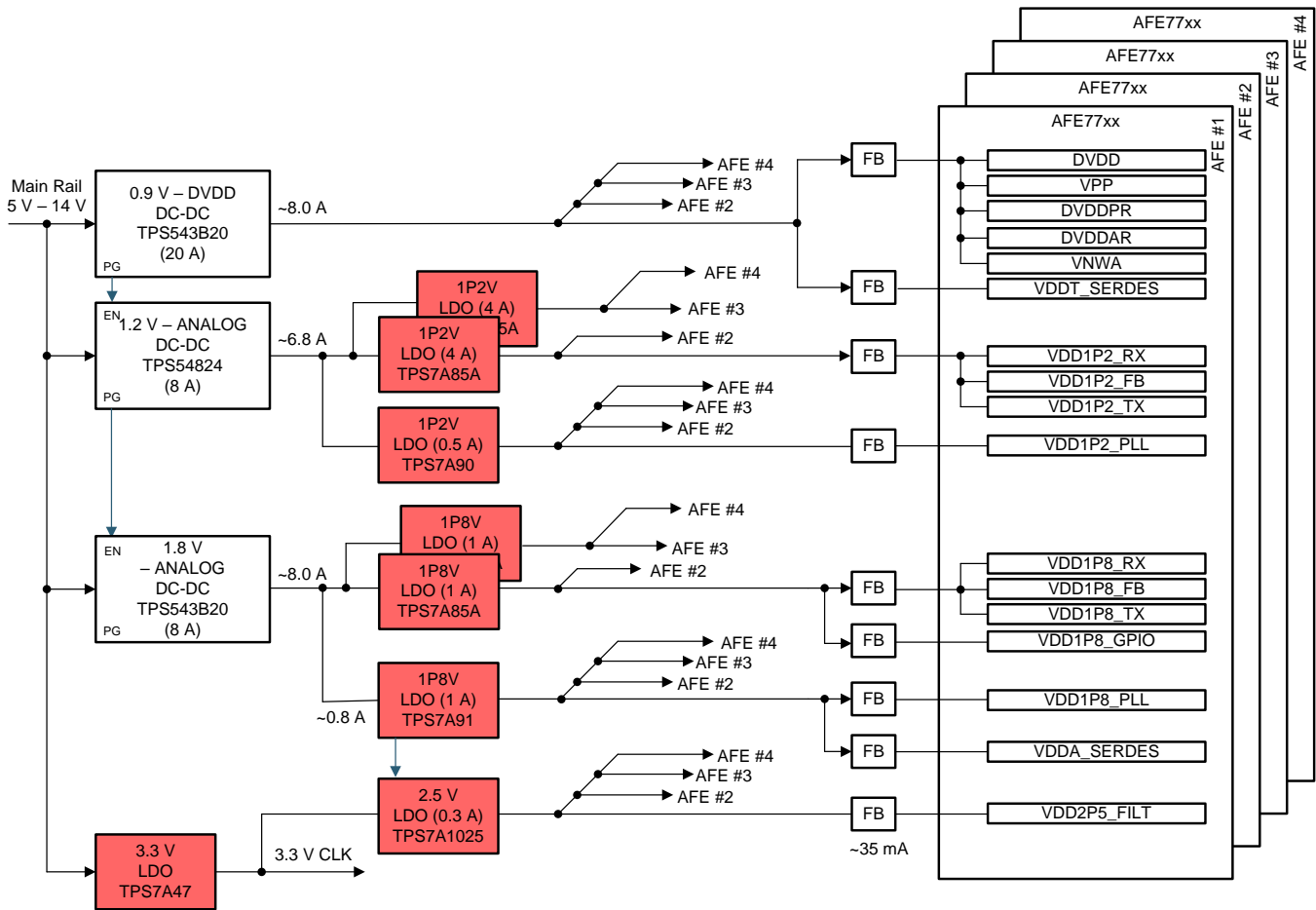


Figure 3. Conservative 4x AFE Power Solution

#### 4 Hybrid Power Solution

Figure 4 – Figure 6 illustrate a hybrid power solution where sensitive PLL rails are supplied from LDOs, but all other supplies are fed from DC/DC converters. This approach yields better overall efficiency while maintaining optimal performance. Additional care must be taken with the layout to ensure sensitive nets are isolated properly, and are not contaminated from DC/DC routing.

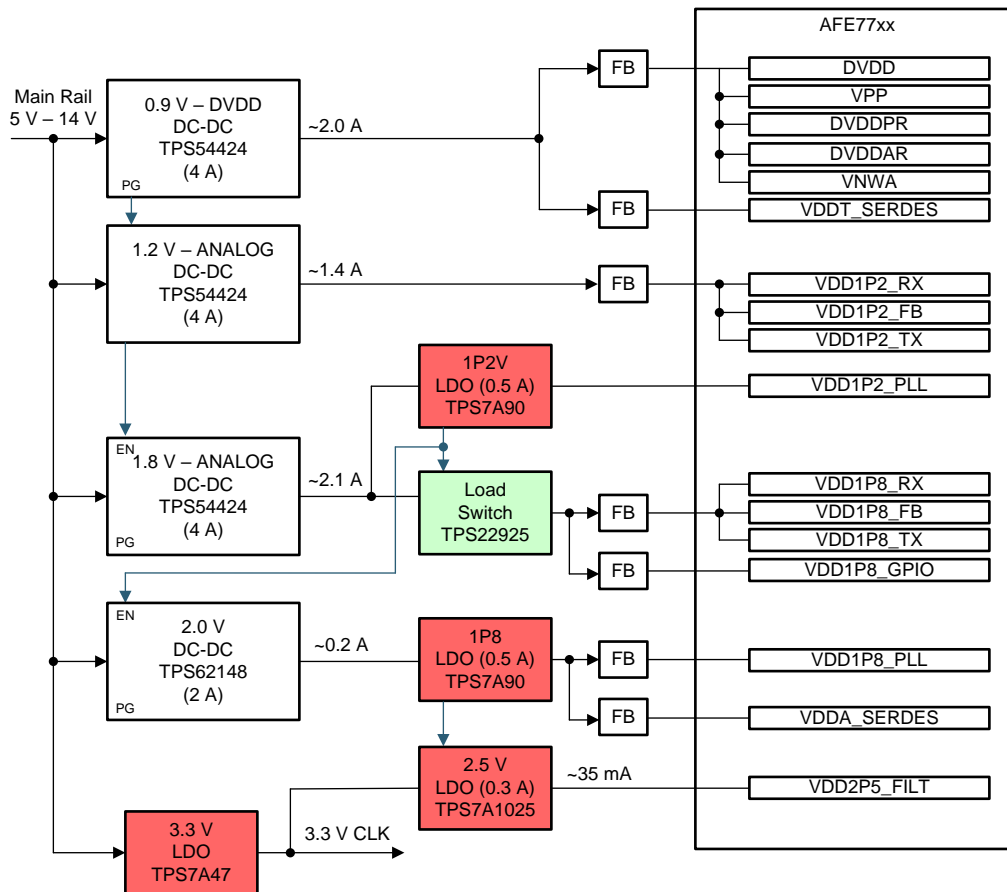


Figure 4. Hybrid Single AFE Power Solution

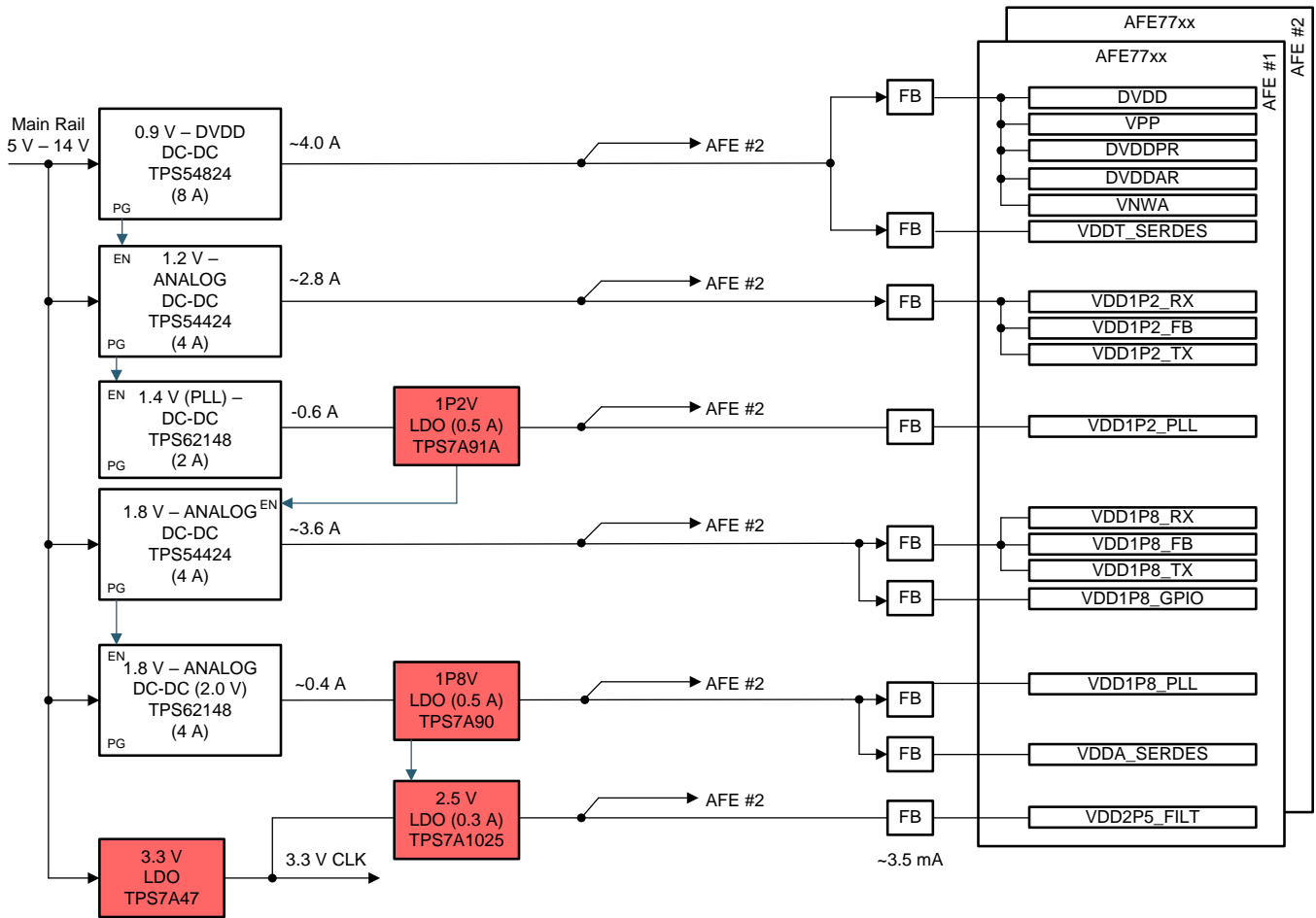


Figure 5. Hybrid 2x AFE Power Solution

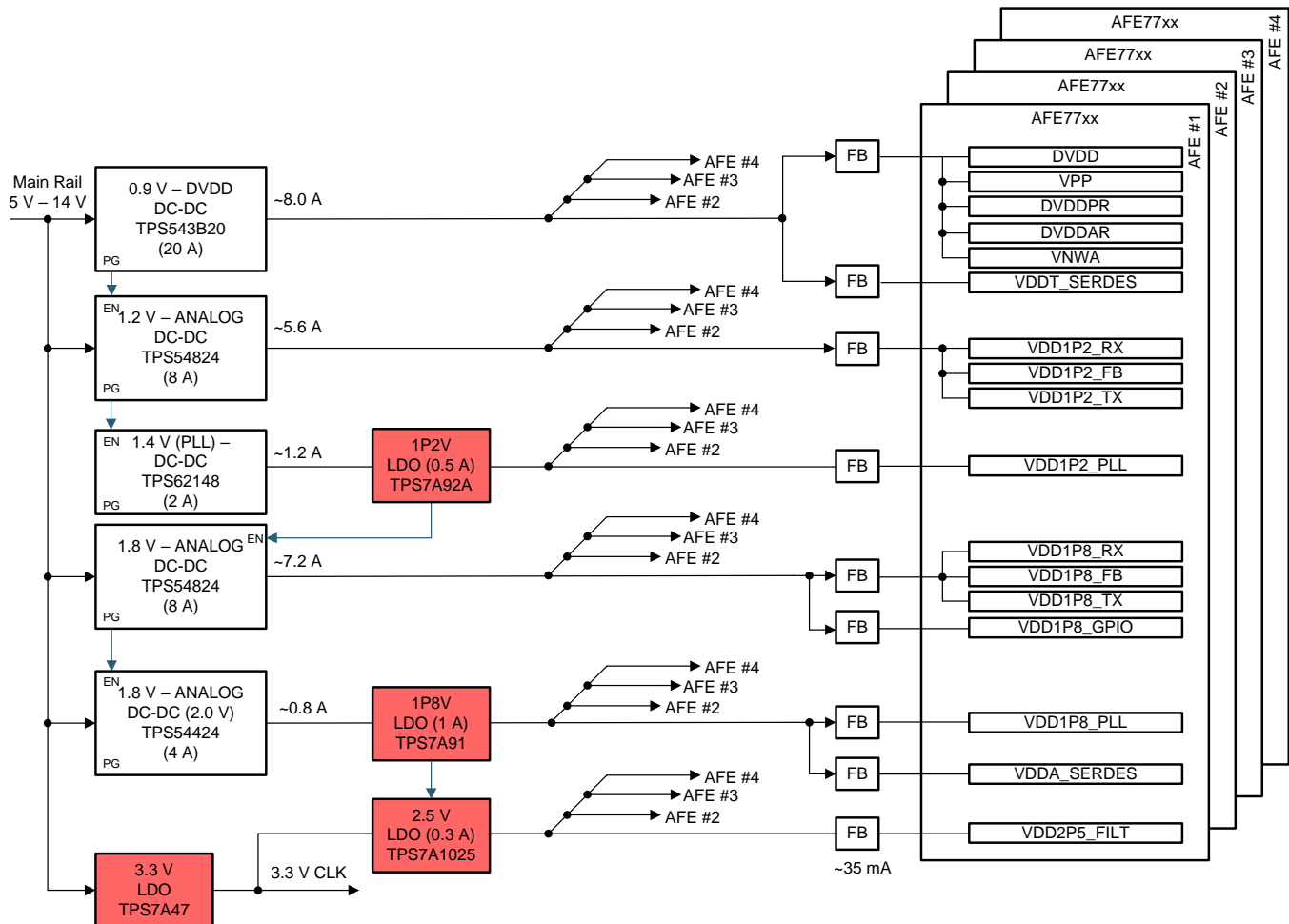


Figure 6. Hybrid 4x AFE Power Solution

## 5 Summary

This document provides recommendations for a power supply solution for the AFE77xx device. Granted, there are many alternative approaches, and these recommendations are not intended to infer this is the only option. Though not specifically drawn in the block diagram, wide frequency supply bypassing is recommended on all of the power nets.

## IMPORTANT NOTICE AND DISCLAIMER

TI PROVIDES TECHNICAL AND RELIABILITY DATA (INCLUDING DATASHEETS), DESIGN RESOURCES (INCLUDING REFERENCE DESIGNS), APPLICATION OR OTHER DESIGN ADVICE, WEB TOOLS, SAFETY INFORMATION, AND OTHER RESOURCES "AS IS" AND WITH ALL FAULTS, AND DISCLAIMS ALL WARRANTIES, EXPRESS AND IMPLIED, INCLUDING WITHOUT LIMITATION ANY IMPLIED WARRANTIES OF MERCHANTABILITY, FITNESS FOR A PARTICULAR PURPOSE OR NON-INFRINGEMENT OF THIRD PARTY INTELLECTUAL PROPERTY RIGHTS.

These resources are intended for skilled developers designing with TI products. You are solely responsible for (1) selecting the appropriate TI products for your application, (2) designing, validating and testing your application, and (3) ensuring your application meets applicable standards, and any other safety, security, or other requirements. These resources are subject to change without notice. TI grants you permission to use these resources only for development of an application that uses the TI products described in the resource. Other reproduction and display of these resources is prohibited. No license is granted to any other TI intellectual property right or to any third party intellectual property right. TI disclaims responsibility for, and you will fully indemnify TI and its representatives against, any claims, damages, costs, losses, and liabilities arising out of your use of these resources.

TI's products are provided subject to TI's Terms of Sale ([www.ti.com/legal/termsofsale.html](http://www.ti.com/legal/termsofsale.html)) or other applicable terms available either on [ti.com](http://ti.com) or provided in conjunction with such TI products. TI's provision of these resources does not expand or otherwise alter TI's applicable warranties or warranty disclaimers for TI products.

Mailing Address: Texas Instruments, Post Office Box 655303, Dallas, Texas 75265  
Copyright © 2019, Texas Instruments Incorporated