

Two op amp instrumentation amplifier circuit

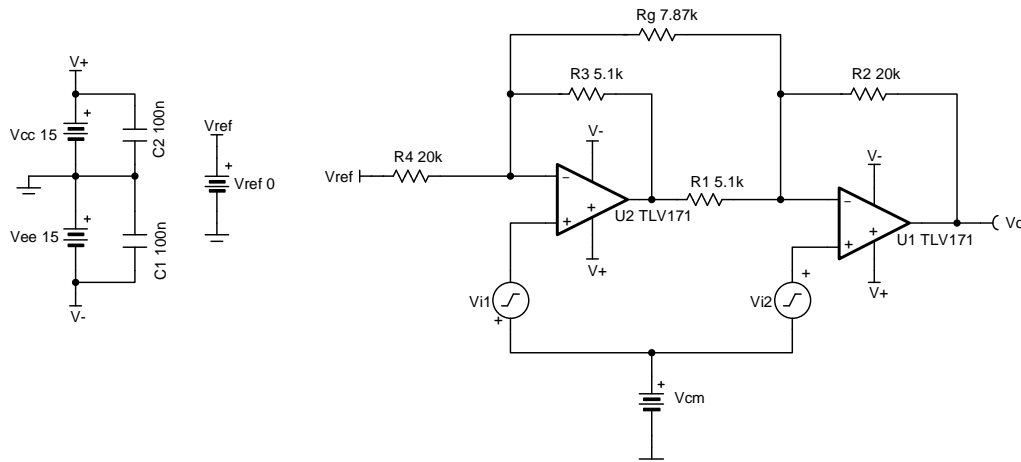
Design Goals

Input $V_{IDiff}(V_{i2} - V_{i1})$		Output		Supply		
V_{IDiff_Min}	V_{IDiff_Max}	V_{oMin}	V_{oMax}	V_{cc}	V_{ee}	V_{ref}
+/-1V	+/-2V	-10V	+10V	15V	-15V	0V

V_{cm}	Gain Range
+/-10V	5V/V to 10V/V

Design Description

This design amplifies the difference between V_{i1} and V_{i2} and outputs a single ended signal while rejecting the common-mode voltage. Linear operation of an instrumentation amplifier depends upon the linear operation of its primary building block: op amps. An op amp operates linearly when the input and output signals are within the device's input common-mode and output-swing ranges, respectively. The supply voltages used to power the op amps define these ranges.



Design Notes

1. R_g sets the gain of the circuit.
2. High-value resistors can degrade the phase margin of the circuit and introduce additional noise in the circuit.
3. The ratio of R_4 and R_3 set the minimum gain when R_g is removed.
4. Ratios of R_2/R_1 and R_4/R_3 must be matched to avoid degrading the instrumentation amplifier's DC CMRR and ensuring the V_{ref} gain is 1V/V.
5. Linear operation is contingent upon the input common-mode and the output swing ranges of the discrete op amps used. The linear output swing ranges are specified under the A_{o1} test conditions in the op amps datasheets.

Design Steps

1. Transfer function of this circuit.

$$V_o = V_{iDiff} \times G + V_{ref} = (V_{i2} - V_{i1}) \times G + V_{ref}$$

when $V_{ref} = 0$, the transfer function simplifies to the following equation:

$$V_o = (V_{i2} - V_{i1}) \times G$$

where G is the gain of the instrumentation amplifier and $G = 1 + \frac{R_4}{R_3} + \frac{2R_2}{R_g}$

2. Select R_4 and R_3 to set the minimum gain.

$$G_{min} = 1 + \frac{R_4}{R_3} = 5 \frac{V}{V}$$

Choose $R_4 = 20k\Omega$

$$G_{min} = 1 + \frac{20k\Omega}{R_3} = 5 \frac{V}{V}$$

$$R_3 = \frac{R_4}{5-1} = \frac{20k\Omega}{4} = 5k\Omega \rightarrow R_3 = 5.1k\Omega \text{ (Standard Value)}$$

3. Select R_1 and R_2 . Ensure that R_1/R_2 and R_3/R_4 ratios are matched to set the gain applied to the reference voltage at $1V/V$.

$$\frac{V_{o-ref}}{V_{ref}} = \left(-\frac{R_3}{R_4}\right) \times \left(-\frac{R_2}{R_1}\right) = \frac{R_3 \times R_2}{R_4 \times R_1} = 1 \frac{V}{V}$$

$$\frac{R_2}{R_1} = \frac{R_4}{R_3} \rightarrow R_1 = R_3 = 5.1k\Omega \text{ and } R_2 = R_4 = 20k\Omega \text{ (Standard Value)}$$

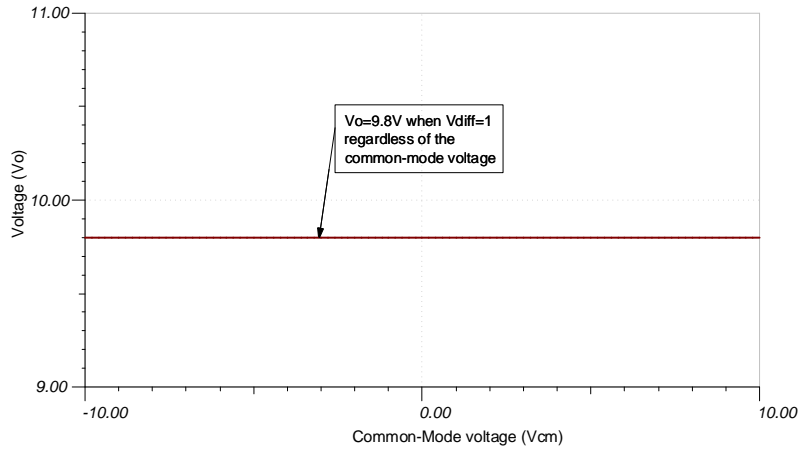
4. Select R_g to meet the desired maximum gain $G = 10V/V$.

$$G = 1 + \frac{R_4}{R_3} + \frac{2R_2}{R_g} = 1 + \frac{20k\Omega}{5.1k\Omega} + \frac{2 \times 20k\Omega}{R_g} = 10 \frac{V}{V}$$

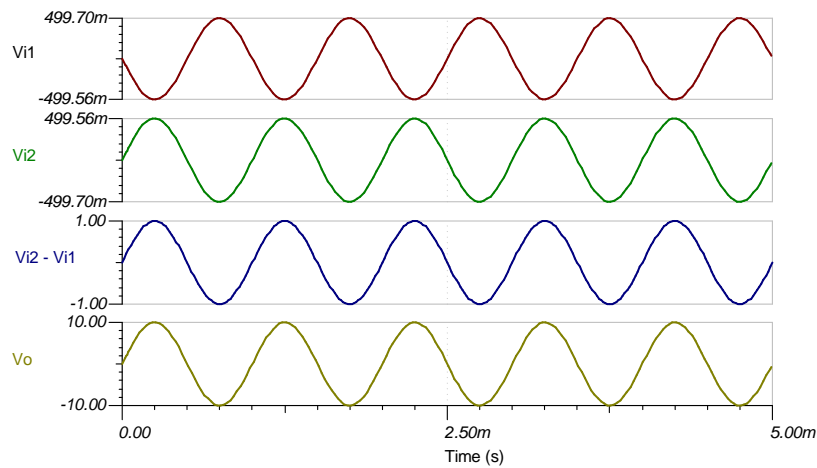
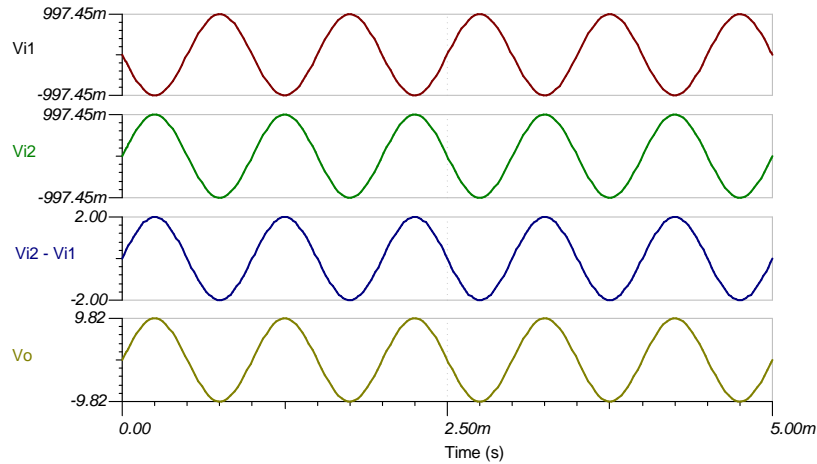
$$R_g = 8k\Omega \rightarrow R_g = 7.87k\Omega \text{ (Standard Value)}$$

Design Simulations

DC Simulation Results



Transient Simulation Results



References:

1. [Analog Engineer's Circuit Cookbooks](#)
2. SPICE Simulation File [SBOMAU7](#)
3. [TI Precision Labs](#)
4. *[V_{CM} vs. V_{OUT} plots for instrumentation amplifiers with two op amps](#)*
5. [Common-mode Range Calculator for Instrumentation Amplifiers](#)

Design Featured Op Amp

TLV171	
V_{ss}	4.5V to 36V
V_{inCM}	(V _{ee} -0.1V) to (V _{cc} -2V)
V_{out}	Rail-to-rail
V_{os}	0.25mV
I_q	475μA
I_b	8pA
UGBW	3MHz
SR	1.5V/μs
#Channels	1,2,4
www.ti.com/product/tlv171	

Design Alternate Op Amp

OPA172	
V_{ss}	4.5V to 36V
V_{inCM}	(V _{ee} -0.1V) to (V _{cc} -2V)
V_{out}	Rail-to-rail
V_{os}	0.2mV
I_q	1.6mA
I_b	8pA
UGBW	10MHz
SR	10V/μs
#Channels	1,2,4
www.ti.com/product/opa172	

IMPORTANT NOTICE AND DISCLAIMER

TI PROVIDES TECHNICAL AND RELIABILITY DATA (INCLUDING DATASHEETS), DESIGN RESOURCES (INCLUDING REFERENCE DESIGNS), APPLICATION OR OTHER DESIGN ADVICE, WEB TOOLS, SAFETY INFORMATION, AND OTHER RESOURCES "AS IS" AND WITH ALL FAULTS, AND DISCLAIMS ALL WARRANTIES, EXPRESS AND IMPLIED, INCLUDING WITHOUT LIMITATION ANY IMPLIED WARRANTIES OF MERCHANTABILITY, FITNESS FOR A PARTICULAR PURPOSE OR NON-INFRINGEMENT OF THIRD PARTY INTELLECTUAL PROPERTY RIGHTS.

These resources are intended for skilled developers designing with TI products. You are solely responsible for (1) selecting the appropriate TI products for your application, (2) designing, validating and testing your application, and (3) ensuring your application meets applicable standards, and any other safety, security, or other requirements. These resources are subject to change without notice. TI grants you permission to use these resources only for development of an application that uses the TI products described in the resource. Other reproduction and display of these resources is prohibited. No license is granted to any other TI intellectual property right or to any third party intellectual property right. TI disclaims responsibility for, and you will fully indemnify TI and its representatives against, any claims, damages, costs, losses, and liabilities arising out of your use of these resources.

TI's products are provided subject to TI's Terms of Sale (www.ti.com/legal/termsofsale.html) or other applicable terms available either on ti.com or provided in conjunction with such TI products. TI's provision of these resources does not expand or otherwise alter TI's applicable warranties or warranty disclaimers for TI products.

Mailing Address: Texas Instruments, Post Office Box 655303, Dallas, Texas 75265
Copyright © 2019, Texas Instruments Incorporated