

A Single-Chip Pulsoximeter Design Using the MSP430

Vincent Chan, Steve Underwood

MSP430 Products

ABSTRACT

This application report discusses the design of non-invasive optical plethysmography also called as pulsoximeter using the MSP430FG437 microcontroller (MCU). The pulsoximeter consists of a peripheral probe combined with the MCU displaying the oxygen saturation and pulse rate on a LCD glass. The same sensor is used for both heart-rate detection and pulsoximetry in this application. The probe is placed on a peripheral point of the body such as a finger tip, ear lobe or the nose. The probe includes two light emitting diodes (LEDs), one in the visible red spectrum (660 nm) and the other in the infrared spectrum (940 nm). The percentage of oxygen in the body is worked by measuring the intensity from each frequency of light after it transmits through the body and then calculating the ratio between these two intensities.

This application report uses the MOD-PULSE *Pulsoximeter and Heart-Rate Monitor Using the MSP430FG439* development board by OLIMEX Ltd (<http://www.olimex.com/dev/mod-pulse.html>).

A revised version of this application is described in the application report *Revised Pulsoximeter Design Using the MSP430* ([SLAA458](#)).

1 Introduction

The Pulsoximeter is a medical instrument for monitoring the blood oxygenation of a patient. By measuring the oxygen level and heart rate, the instrument can sound an alarm if these drop below a pre-determined level. This type of monitoring is especially useful for new born infants and during surgery.

This application report demonstrates the implementation of a single chip portable pulsoximeter using the ultra low power capability of the MSP430. Because of the high level of analog integration, the external components can be kept to a minimum. Furthermore, by keeping ON time to a minimum and power cycling the two light sources, power consumption is reduced.

2 Theory of Operation

In a pulsoximeter, the calculation of the level of oxygenation of blood (SaO_2) is based on measuring the intensity of light that has been attenuated by body tissue.

SaO_2 is defined as the ratio of the level oxygenated Hemoglobin over the total Hemoglobin level (oxygenated and depleted):

$$\text{SaO}_2 = \frac{\text{HbO}_2}{\text{Total Hemoglobin}} \quad (1)$$

Body tissue absorbs different amounts of light depending on the oxygenation level of blood that is passing through it. This characteristic is non-linear.

Two different wavelengths of light are used, each is turned on and measured alternately. By using two different wavelengths, the mathematical complexity of measurement can be reduced.

$$R' = \frac{\log(I_{ac})\lambda_1}{\log(I_{ac})\lambda_2} \quad \text{SaO}_2 \propto R' \quad (2)$$

Where λ_1 and λ_2 represents the two different wavelengths of light used.

There are a DC and an AC component in the measurements. It is assumed that the DC component is a result of the absorption by the body tissue and veins. The AC component is the result of the absorption by the arteries.

3.1 Generating the LED Pulses

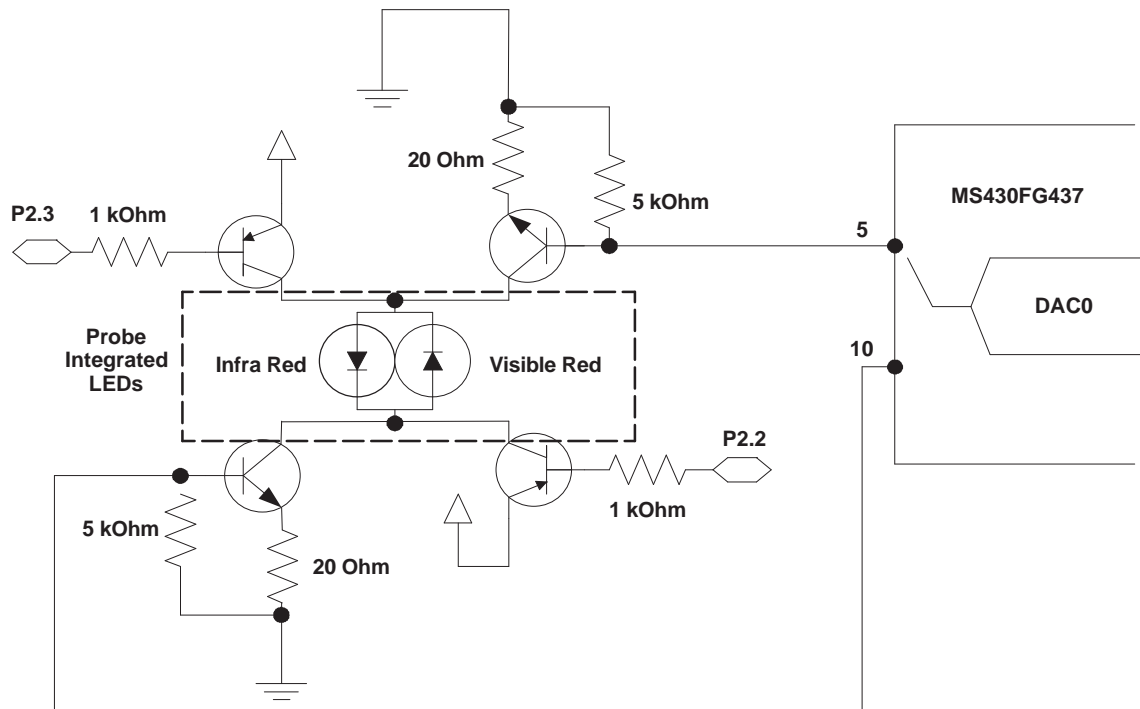


Figure 2. LED Drive Circuit

There are two LEDs, one for the visible red wavelength and another for the infrared wavelength.

In the Nellcor compatible probe, these two LEDs are connected back to back.

To turn them on, an H-Bridge arrangement is used. Figure 2 illustrate this circuit.

Port 2.3 and Port 2.2 drives the complementary circuit. A DAC0 controls the current through the LEDs and thereby its light output level.

The whole circuit is time multiplexed.

In the MSP430FG437 the internal 12-bit DAC0 can be connected to either pin 5 or pin 10 of the MCU through software control in the DAC control register. When a pin is not chosen to output the DAC0 signal, it is set to Hi-Z or low. The base of each transistor has a pulldown resistor to make sure the transistor is turned off when it is not selected.

3.2 Sampling and Conditioning the PIN Diode Signal

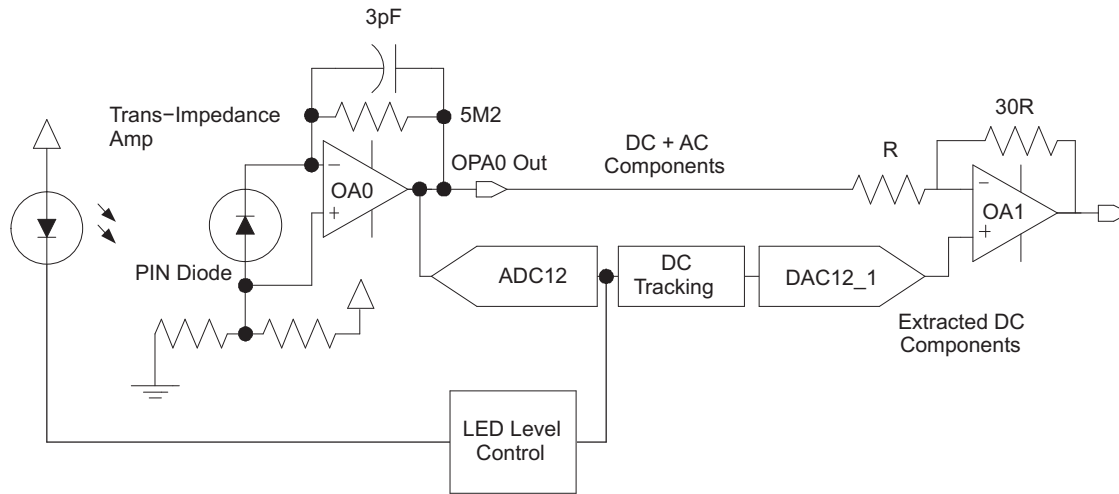


Figure 3. Input Front End Circuit and LED Control

The photo-diode generates a current from the received light. This current signal is amplified by a trans-impedance amplifier. OA0, one of the three built in op-amps, is used to amplify this signal. Since the current signal is very small, it is important for this amplifier to have a low drift current.

The signal coming out of OA0 consists of a large DC component (around 1 V) and a small AC component (around 10 mV pk-pk).

The large DC component is caused by the lesser oxygen bearing parts of the body tissue and scattered light. This part of the signal is proportional to the intensity of the light emitted by the LED.

The small AC component is made up of the light modulation by the oxygen bearing parts such as the arteries plus noise from ambient light at 50/60 Hz. It is this signal that needs to be extracted and amplified.

The LED level control tries to keep the output of OA0 within a preset range using the circuit illustrated in [Figure 2](#). The Normal Red and Infra Red LEDs are controlled separately to within this preset range. Effectively, the output from both LEDs matches with each other within a small tolerance.

The extraction and amplification of the AC component of the OA0 output is performed by the second stage OA1. The DC tracking filter extracts the DC component of the signal and is used as an offset input to OA1. As OA1 would only amplify the difference it sees between the two terminals, only the AC portion of the incoming signal is amplified. The DC portion is effectively filtered out.

The offset of OA1 is also amplified and added to the output signal. This needs to be filtered off later on.

3.2.1 Time Multiplexing the Hardware

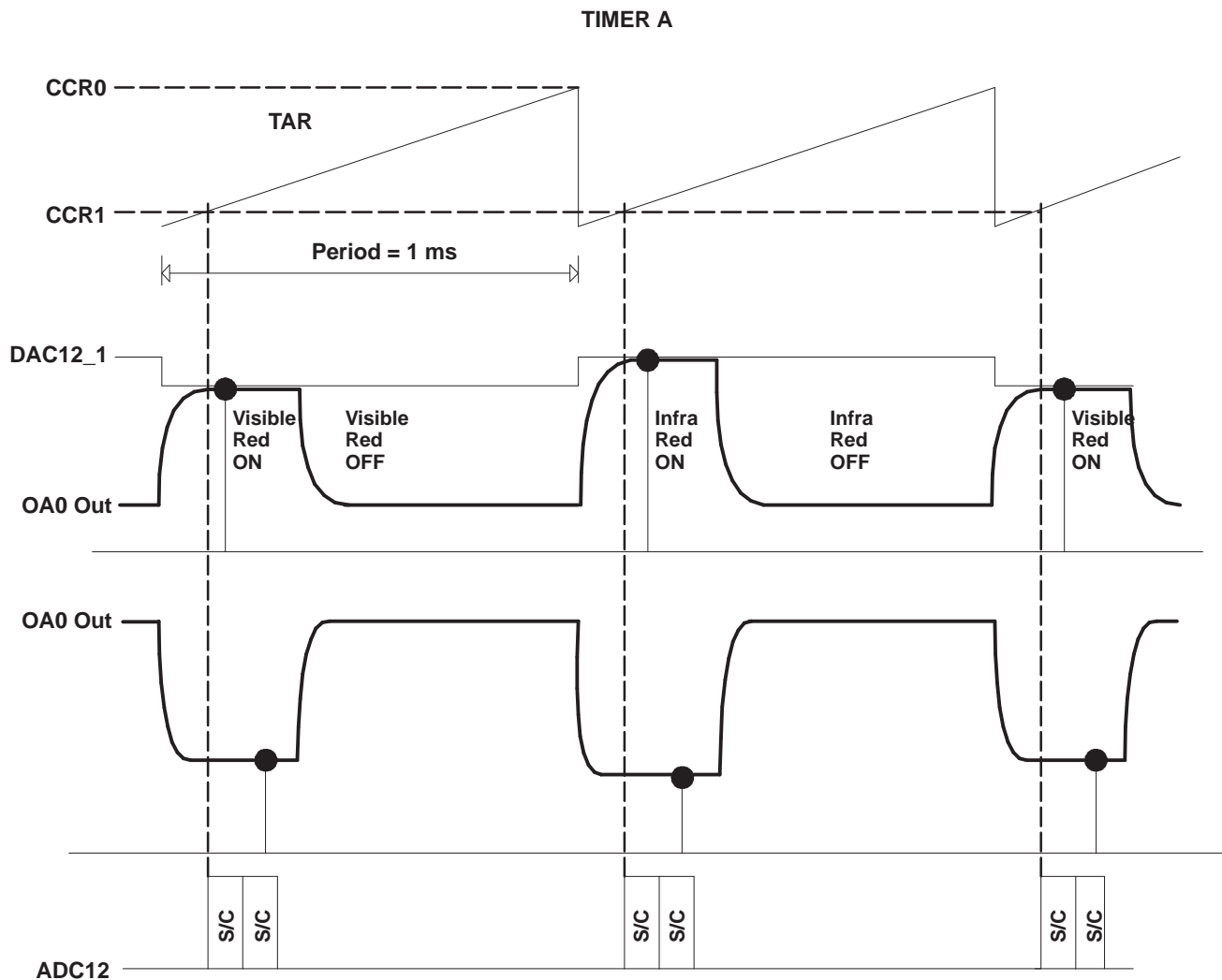


Figure 4. Time Multiplexing the Hardware

Timer A is used to control the multiplex sequence and automatically start the ADC conversion.

At the CCR0 interrupt, a new LED sequence is initiated with the following:

- The DAC12_0 control bit DAC12OPS is set or cleared depending on which LED is driven. Port 2 is set to turn on the corresponding LED.
- A new value for DAC12_0 is set to the corresponding light intensity level
- DAC12_1 is set to the DC tracking filter output for that particular LED.

Note that OA1 amplifies the difference between OA0 Out and DAC12_1.

As the intensity of the visible LED is adjusted, the DAC12_1 signal will become a straight line as the OA0 outputs for the two LEDs are equaled.

The ADC conversion is triggered automatically. It takes two samples, one of the OA0 output for DC tracking and one of the OA1 output, to calculate the heart beat and oxygen level. These two samples are taken one after the other using the internal sample timer by setting the MSC bit in the ADC control register.

To conserve power, at the completion of the ADC conversion an interrupt is generated to tell the MCU to switch off the LED by clearing DAC12_0.

3.3 Signal Conditioning of the AC Components

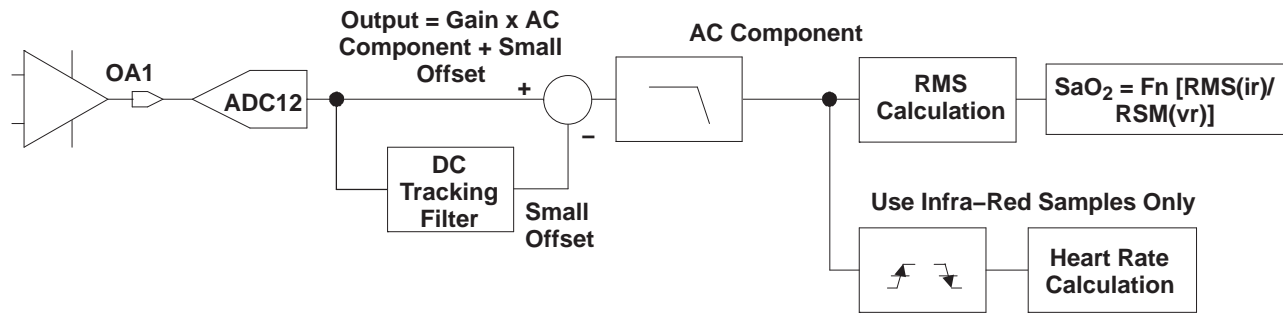


Figure 5. Signal conditioning of the AC Components

The output of OA1 is sampled by the ADC at 1000 sps. Alternating between the infra-red LED and the normal-red LED. Therefore each LED signal is sampled at 500 sps.

Samples of the OA1 output must be stripped of the residual dc. A high pass digital filter is impractical here, as the required cutoff frequency is rather low. Instead a IIR filter is used to track the dc level. The dc is then subtracted from the input signal to render a final true ac digital signal.

The sampled signal is digitally filtered to remove ambient noise at 50 Hz and above. A low pass FIR filter with a corner frequency of 6 Hz and -50 dB attenuation at 50 Hz and above is implemented.

At this stage the signal resembles the pulsing of the heart beat through the arteries.

3.3.1 The DC Tracking filters

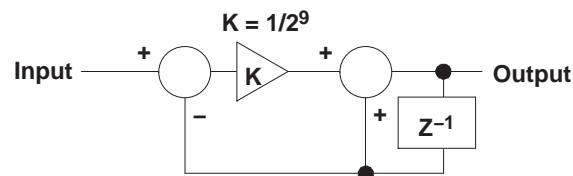


Figure 6. Tacking Filter Block Diagram

A DC tracking filter is illustrated in [Figure 6](#).

This is an IIR filter. The working of this filter is best understood intuitively. The filter will add a small portion of the difference between its input and its last output value to its last output value to form the a new output value. If there is a step change in the input, the output changes itself to be the same as the input over a period of time. The rate of change is controlled by the coefficient K. K is worked out by experiment.

So if the input contains an AC and DC component, The coefficient K is made sufficiently small to generate a time constant relative to the frequency of the AC component so that over a length of time the AC will cancel itself out in the accumulation process and the output would only track the DC component of the input.

To ensure there is sufficient dynamic range, the calculation is done in double precision, 32 bits. Only the most significant 16 bits are used.

3.4 Calculating the Oxygen Level and Heart Beat Rate

Because both LEDs are pulsed, traditional analog signal processing has to be abandoned in favor of digital signal processing.

The signal samples are low pass filtered to remove the 50/60 Hz noise.

For each wavelength of light, the DC value is removed from the signal leaving the AC part of the signal, which reflects the arterial oxygenation level. The RMS value is calculated by averaging the square of the signal over a number of heart beat cycles.

The DC measurement is continuously calculated by averaging the signals over a number of heart beat cycles.

The driving strength of each LED is controlled so that the DC level seen at the PIN diode meets a set target level with a small tolerance. By doing this for each LED, the final results is that the DC levels of these two LED match one another to within a small tolerance.

Once the DC levels match, then the SaO₂ is calculated by dividing the logs of the RMS values.

$$R' = \frac{\log(I_{ac})_{\lambda 1}}{\log(I_{ac})_{\lambda 2}} \quad SaO_2 \propto R' \tag{3}$$

The heart beat is measure by counting the number of samples in 3 beats, since the sampling rate is 500 sps. The heart beat per minute is calculated by:

$$\text{Heart beats per minute} = \frac{500 \times 60}{\left(\frac{\text{Samples Count}}{3}\right)} \tag{4}$$

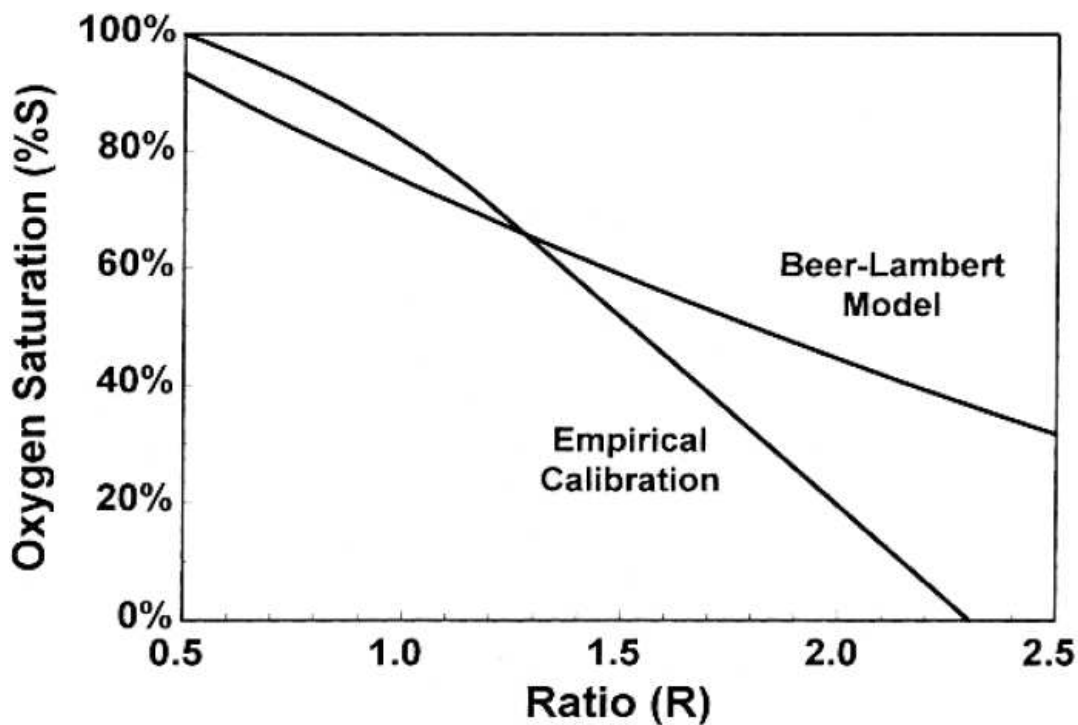


Figure 7. Empirical and Theoretical R to SaO₂

Figure 7 shows the difference between the empirical and theoretical R to SaO₂ curve.

As the Oxygen Saturation seldom drops below 80%, a linear relationship with a slight offset can safely be assumed.

4 Results

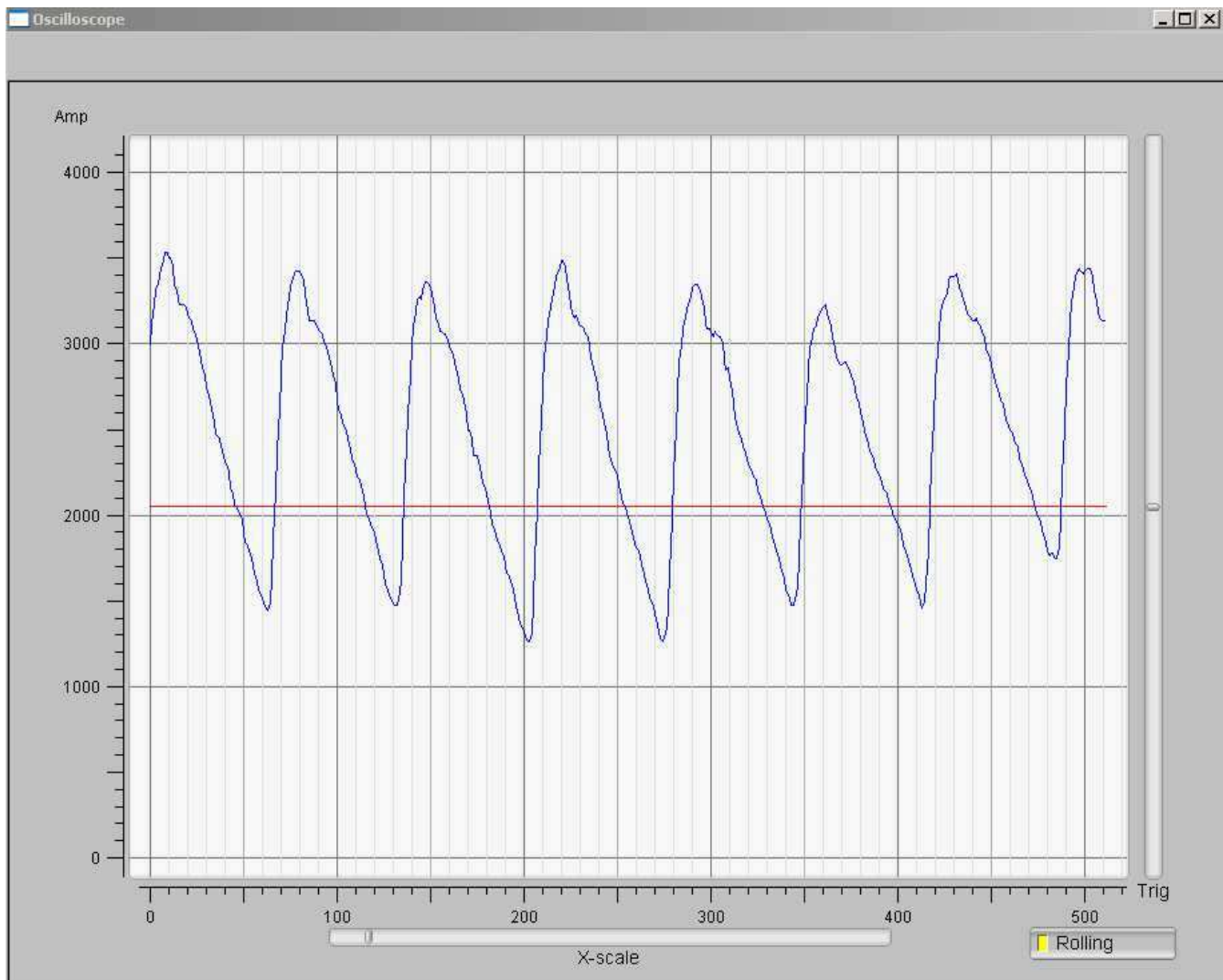


Figure 8. Heart Beat Signal Output

Figure 8 shows the captured Heart Beat signal from the board. This signal is output through the serial port to the PC at 115 Kbps. An open source application program scope.exe that runs on the PC is also available with this application notes.

The heart rate/minute is measured and displayed on the LCD.

The Oxygen Saturation percentage is also displayed.

5 Parts List

Table 1. Parts List

QTY	VALUE	PARTS
2	Tact switch	S1, S2
2	1n4148	D4, D5
1	DB9	X2
1	Jumper	JP1
1	LCD	LCD1
1	Red LED	LED3
3	4-pin header	SL1, SL2, SL5
1	MAX3221	U2
2	MMBT2222	T1, T2
1	MSP430FG437	U1
1	LED 660nm, Kodenshi BL-23G	D2
1	LED 940nm, Kodenshi EL-23G	D3
1	Pin-diode, Kodenshi HPI-23G	D1
10	0.1uF	C1, C5, C6, C7, C8, C12, C13, C14, C15, C19
6	1kΩ	R16, R17, R18, R19, R27, R28
3	1uF	C3, C9, C20
1	3V battery	G1
1	3pF	C2
2	4.7nF	C16, C17
1	5.1MΩ	R3
3	5kΩ	R22, R24, R26 ⁽¹⁾
2	10kΩ	R13, R14
3	10uF	C4, C10, C11
1	15kΩ	R9
2	20Ω	R1, R2
1	32.768k	X1
1	47pF	C18 ⁽¹⁾
4	100Ω	R4, R5
3	100kΩ	R8, R15, R20
1	150kΩ	R25 ⁽¹⁾
3	300kΩ	R10, R11, R12
1	Buzzer	SG2
1	Nellcor compatible probe 520-1011N	

⁽¹⁾ NOTE: If the internal feedback resistor ladder is used for OA1 (as implemented in the application source code), then these parts do not need to be populated: R25, R26 and C18.

6 References

- Medical Electronics, Dr. Neil Townsend, Michaelmas Term 2001
- *MSP430F4xx Family User's Guide* ([SLAU056](#))

IMPORTANT NOTICE

Texas Instruments Incorporated and its subsidiaries (TI) reserve the right to make corrections, modifications, enhancements, improvements, and other changes to its products and services at any time and to discontinue any product or service without notice. Customers should obtain the latest relevant information before placing orders and should verify that such information is current and complete. All products are sold subject to TI's terms and conditions of sale supplied at the time of order acknowledgment.

TI warrants performance of its hardware products to the specifications applicable at the time of sale in accordance with TI's standard warranty. Testing and other quality control techniques are used to the extent TI deems necessary to support this warranty. Except where mandated by government requirements, testing of all parameters of each product is not necessarily performed.

TI assumes no liability for applications assistance or customer product design. Customers are responsible for their products and applications using TI components. To minimize the risks associated with customer products and applications, customers should provide adequate design and operating safeguards.

TI does not warrant or represent that any license, either express or implied, is granted under any TI patent right, copyright, mask work right, or other TI intellectual property right relating to any combination, machine, or process in which TI products or services are used. Information published by TI regarding third-party products or services does not constitute a license from TI to use such products or services or a warranty or endorsement thereof. Use of such information may require a license from a third party under the patents or other intellectual property of the third party, or a license from TI under the patents or other intellectual property of TI.

Reproduction of TI information in TI data books or data sheets is permissible only if reproduction is without alteration and is accompanied by all associated warranties, conditions, limitations, and notices. Reproduction of this information with alteration is an unfair and deceptive business practice. TI is not responsible or liable for such altered documentation. Information of third parties may be subject to additional restrictions.

Resale of TI products or services with statements different from or beyond the parameters stated by TI for that product or service voids all express and any implied warranties for the associated TI product or service and is an unfair and deceptive business practice. TI is not responsible or liable for any such statements.

TI products are not authorized for use in safety-critical applications (such as life support) where a failure of the TI product would reasonably be expected to cause severe personal injury or death, unless officers of the parties have executed an agreement specifically governing such use. Buyers represent that they have all necessary expertise in the safety and regulatory ramifications of their applications, and acknowledge and agree that they are solely responsible for all legal, regulatory and safety-related requirements concerning their products and any use of TI products in such safety-critical applications, notwithstanding any applications-related information or support that may be provided by TI. Further, Buyers must fully indemnify TI and its representatives against any damages arising out of the use of TI products in such safety-critical applications.

TI products are neither designed nor intended for use in military/aerospace applications or environments unless the TI products are specifically designated by TI as military-grade or "enhanced plastic." Only products designated by TI as military-grade meet military specifications. Buyers acknowledge and agree that any such use of TI products which TI has not designated as military-grade is solely at the Buyer's risk, and that they are solely responsible for compliance with all legal and regulatory requirements in connection with such use.

TI products are neither designed nor intended for use in automotive applications or environments unless the specific TI products are designated by TI as compliant with ISO/TS 16949 requirements. Buyers acknowledge and agree that, if they use any non-designated products in automotive applications, TI will not be responsible for any failure to meet such requirements.

Following are URLs where you can obtain information on other Texas Instruments products and application solutions:

Products

Audio	www.ti.com/audio
Amplifiers	amplifier.ti.com
Data Converters	dataconverter.ti.com
DLP® Products	www.dlp.com
DSP	dsp.ti.com
Clocks and Timers	www.ti.com/clocks
Interface	interface.ti.com
Logic	logic.ti.com
Power Mgmt	power.ti.com
Microcontrollers	microcontroller.ti.com
RFID	www.ti-rfid.com
OMAP Mobile Processors	www.ti.com/omap
Wireless Connectivity	www.ti.com/wirelessconnectivity

Applications

Automotive and Transportation	www.ti.com/automotive
Communications and Telecom	www.ti.com/communications
Computers and Peripherals	www.ti.com/computers
Consumer Electronics	www.ti.com/consumer-apps
Energy and Lighting	www.ti.com/energy
Industrial	www.ti.com/industrial
Medical	www.ti.com/medical
Security	www.ti.com/security
Space, Avionics and Defense	www.ti.com/space-avionics-defense
Video and Imaging	www.ti.com/video

TI E2E Community Home Page

e2e.ti.com

Mailing Address: Texas Instruments, Post Office Box 655303, Dallas, Texas 75265
Copyright © 2012, Texas Instruments Incorporated