

# **LM12454,LM12458,LM12H458,LM12L458**

*AN-906 Interfacing the LM12454/8 Data Acquisition System Chips to  
Microprocessors and Microcontrollers*



Literature Number: SNAA010

# Interfacing the LM12454/8 Data Acquisition System Chips to Microprocessors and Microcontrollers

National Semiconductor  
Application Note 906  
Farid Saleh  
August 1993



Interfacing the LM12454/8 Data Acquisition System Chips to Microprocessors and Microcontrollers

## TABLE OF CONTENTS

### 1.0 INTRODUCTION

### 2.0 GENERAL OVERVIEW

- 2.1 The DAS Programming Model
- 2.2 Programming Procedure
- 2.3 A Typical Program Flowchart and Alternative Approaches
- 2.4 The DAS/Processor Interface

### 3.0 INTERFACING THE DAS TO HPC™ MICROCONTROLLERS

- 3.1 Complete Address Decoding
- 3.2 Minimal Address Decoding
- 3.3 Timing Analysis
  - 3.3.1 Complete Address Decoding Circuit
  - 3.3.2 Minimal Address Decoding Circuit

### 4.0 A SYSTEM EXAMPLE: A SEMICONDUCTOR FURNACE

- 4.1 System Requirements and Assumptions
- 4.2 DAS Setup and Register Programming
- 4.3 Microcontroller Programming
  - 4.3.1 HPC Assembly Routines for the Semiconductor Furnace Example

### 1.0 INTRODUCTION

The LM12454/8 family of data acquisition system (DAS) chips offers a fully differential self-calibrating 12-bit + sign A/D converter with differential reference, 4 or 8 input analog multiplexer and extensive flexible and programmable logic. The logic embodies different units to perform specific tasks, for instance:

- An instruction RAM for stand-alone execution (after being programmed by the host) with programmable acquisition time, input selection, 8-bit or 12-bit conversion mode, etc.
- Limit registers for comparison of the inputs against high and low limits in "watchdog" mode.

- A 32-word FIFO register for storage of conversion results.
- Interrupt control logic with interrupt generation for 8 different conditions.
- A 16-bit timer register.
- Circuitry for synchronizing signal acquisition with external events.
- A parallel microprocessor interface with selectable 8-bit or 16-bit data access.

Because of its functionality and flexibility, working with the LM12454/8 family may appear to be an overwhelming task at first glance. However, this is not the case when the user gains a basic understanding of the device's functional units and the philosophy of its operation. This note shows how easy it is to use the LM12454/8 family and walks the user through the straightforward steps of the interfacing and programming of the device.

The LM12454/8 family has 6 members. The members and their differences are shown in Table I. For simplicity, the DAS abbreviation will be used throughout this Application Note as a generic name for any member of the family. Similarly, the drawings illustrate only the 8 input versions of the family. Note that this Application Note should be used in conjunction with the device data sheet and assumes the reader has some degree of familiarity with the device. However, a brief overview of the DAS and information related to the subjects being discussed are given here.

### 2.0 GENERAL OVERVIEW

#### 2.1 The DAS Programming Model

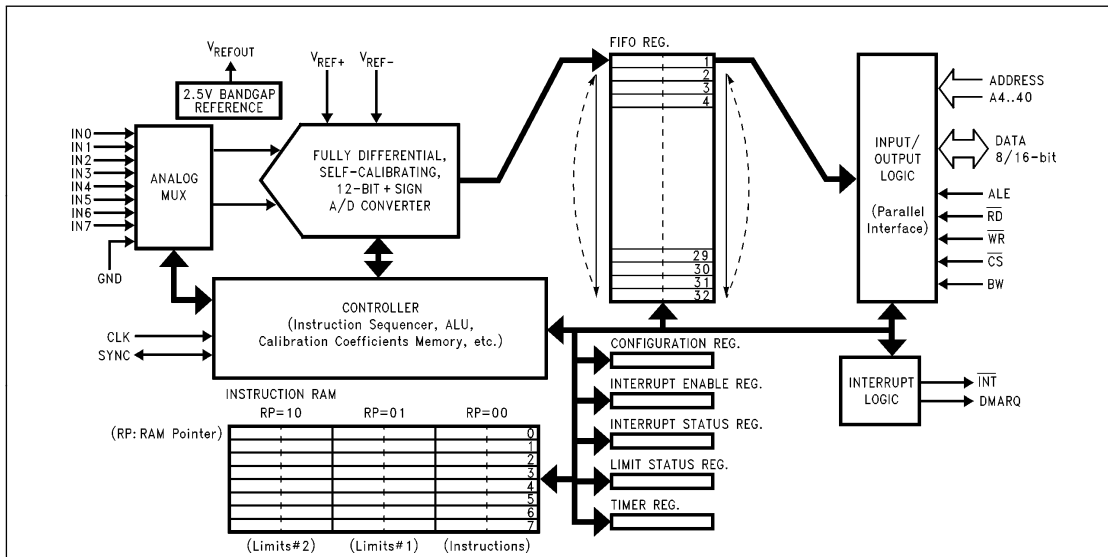
Figure 1 illustrates the functional block diagram or user programming model of the DAS. (This diagram is not meant to reflect the actual implementation of the DAS internal building blocks.) The DAS model consists of the following blocks:

- A flexible analog multiplexer with differential output at the front end of the device.

TABLE I: Members of the LM12454/8 Family

Device Number	Clock Frequency (Max, MHz)	Operating Supply Voltage (V)	Number of MUX Inputs	Internal Reference	Low Voltage Flag
LM12454	5	5.0 ± 10%	4	Yes	Yes
LM12458	5	5.0 ± 10%	8	Yes	Yes
LM12H454	8	5.0 ± 10%	4	Yes	Yes
LM12H458	8	5.0 ± 10%	8	Yes	Yes
LM12L454	6	3.3 ± 10%	4	No	No
LM12L458	6	3.3 ± 10%	8	No	No

HPC™ is a trademark of National Semiconductor Corporation.



TL/H/11908-1

**FIGURE 1. DAS Functional Block Diagram, Programming Model**

- A fully-differential, self-calibrating 12-bit+ sign A/D converter.
- A 32-word FIFO register as the output data buffer.
- An instruction RAM that can be programmed to repeatedly perform a series of conversions and comparisons on the selected input channels.
- A series of registers for overall control and configuration of the DAS operation and indication of internal operational status.
- Interrupt generation logic to request service from the processor under specified conditions.
- Parallel interface logic for input/output operations between the DAS and the processor. All the registers shown in the diagram can be read and most of them can also be written to by the user through the input/output block.
- A controller unit that controls the interactions of the different blocks inside the DAS and performs the conversion, comparison and calibration sequences.

The DAS has 3 different modes of operation: 12-bit+ sign conversion, 8-bit+ sign conversion and 8-bit+ sign comparison, (also called "watchdog" mode). In the watchdog mode no conversion is performed, but the DAS samples an input and compares it with the values of the two limits stored in the Instruction RAM. If the input voltage is above or below the limits (as defined by the user) an interrupt can be generated to indicate a fault condition.

The INSTRUCTION RAM is divided into 8 separate words, each with 48 (3x16) bit length. Each word is separated into three 16-bit sections. Each word has a unique address and different sections of the instruction are selected by the 2-bit RAM pointer (RP) in the configuration register. As shown in Figure 1, the Instruction RAM sections are labeled Instructions, Limits #1 and Limits #2. The Instruction section holds operational information such as; the input channels to be selected, the mode of operation for each instruction, and how long the acquisition time should be. The other two sec-

tions are used in the watchdog mode and the user defined limits are stored in them. Each watchdog instruction has 2 limits associated with it (usually the low and high limits, but two low or two high limits may be programmed instead). The DAS can start executing from Instruction 0 and continue executing the next instructions up to any user specified instruction and, then "loops back" to Instruction 0. This means that not all 8 instructions need to be executed in the loop. The cycle may be repeatedly executed until stopped by the user. The user should access the Instruction RAM only when the instruction sequencer is stopped.

The FIFO Register is used to store the results of the conversion. This register is "read only" and all the locations are accessed through a single address. Each time a conversion is performed the result is stored in the FIFO and the FIFO's internal write pointer points to the next location. The pointer rolls back to location 1 after a write to location 32. The same flow occurs when reading from the FIFO. The internal FIFO writes and the external FIFO reads do not affect each other's pointer locations.

The CONFIGURATION Register is the main "control panel" of the DAS. Writing 1s and 0s to the different bits of the Configuration Register commands the DAS to perform different actions such as start or stop the sequencer, reset the pointers and flags, enter standby mode for low power consumption, calibrate offset and linearity, and select sections of the RAM.

The INTERRUPT ENABLE Register lets the user activate up to 8 sources for interrupt generation. It also holds two user programmable values. One is the number of conversions to be stored in the FIFO register before the generation of the data ready interrupt. The other value is the instruction number that generates an interrupt when the sequencer reaches that instruction.

The INTERRUPT STATUS and LIMIT STATUS Registers are "read only" registers. They are used as vectors to indicate which conditions have generated the interrupt and what limit boundaries have been passed. Note that the bits

are set in the status registers upon occurrence of their corresponding interrupt conditions, regardless of whether the condition is enabled for external interrupt generation.

The TIMER Register can be programmed to insert a delay before execution of each instruction. A bit in the Instruction register enables or disables the insertion of the delay before the execution of an instruction.

Appendix A shows all the DAS accessible registers and a brief description of their bits assignments. These bit assignments are discussed in detail in the data sheet and are repeated here for reference. There are also empty register models available on the same pages that can be used as a programming tool. The designer can fill these register models with "1s" and "0s" during design based on system requirements. The user can also use these sheets for design documentation.

## 2.2 Programming Procedure

The DAS is designed for control by a processor. However, the functionality of the DAS off loads the processor to a great extent, resulting in reduction of the software overhead. At the start, the processor downloads a set of operational instructions to the DAS' RAM and registers and then gives a start command to the DAS. The DAS performs continuous conversions and/or comparisons as dictated by the instructions and loads the conversion results in the FIFO. From this point the processor has two basic options for interaction with the DAS. The DAS can generate an interrupt to the processor when the predetermined number of conversion results are stored in the FIFO or when any other interrupt conditions have occurred. The processor will then service the interrupt by reading the FIFO or taking corrective action, depending on the nature of the interrupt. Alternatively, rather than responding to an interrupt, the processor at any time can read the data or give a new command to the DAS.

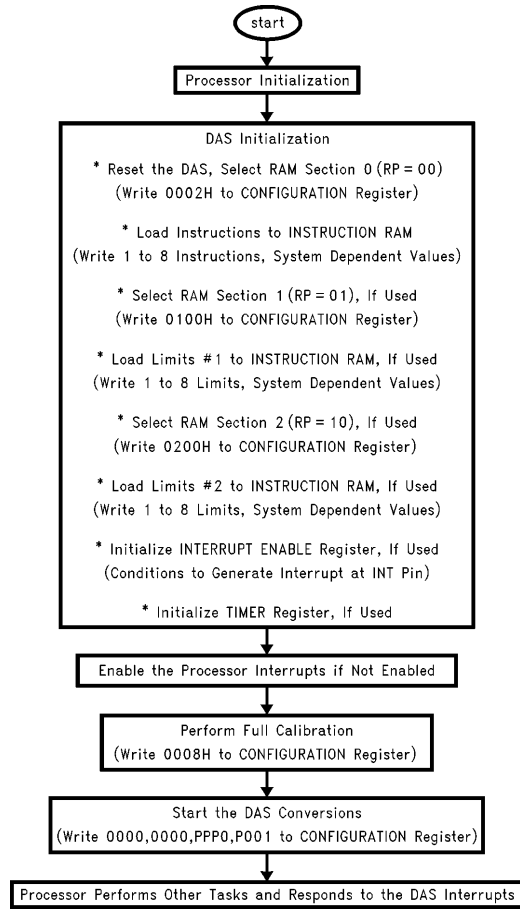
Defining a general programming procedure is not practical due to the extreme flexibility of the DAS and the variety of the applications. However, the following typical procedure demonstrates the basic concepts of the DAS start-up routine:

- Reset the DAS by setting the RESET bit and select RAM section "00" through the Configuration register.
- Load instructions to the Instruction RAM (1 to 8 instructions).
- Select RAM section "01" (if used) through the Configuration register.
- Load limits #1, 1 to 8 values (if used).
- Select the RAM section "10" (if used) through the Configuration register.
- Load limits #2, 1 to 8 values (if used).
- Initialize the Interrupt Enable register, by selecting the conditions to generate an interrupt at the  $\overline{\text{INT}}$  pin (if used).
- Program the Timer register for required delay (if used).
- Start the sequencer operation by setting the START bit in the Configuration register. Set the other bits in the Configuration register as required at the same time.

After the DAS starts operating, the processor may respond to interrupts from the DAS or it may interrogate the DAS at any time.

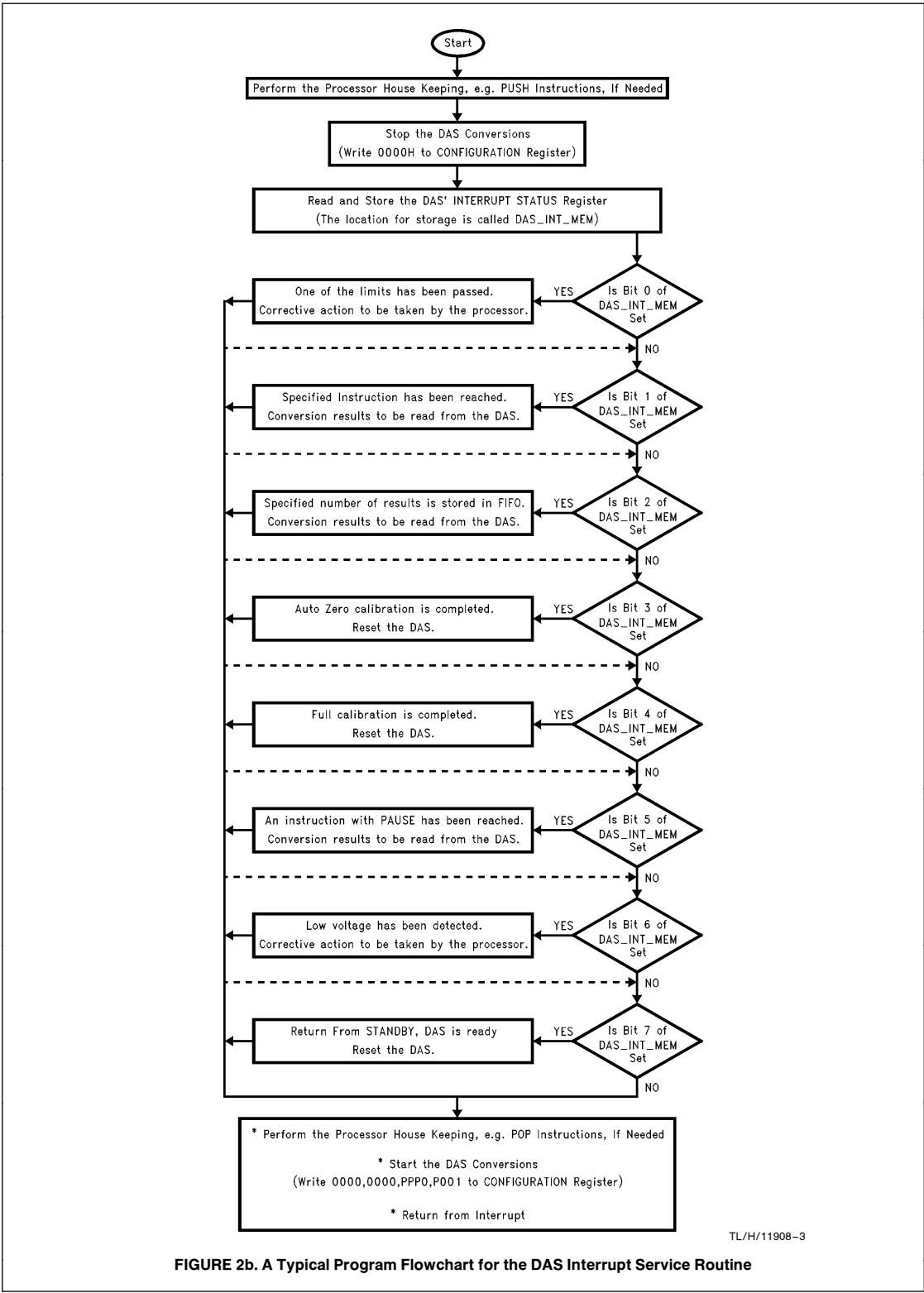
## 2.3 A Typical Program Flowchart and Alternative Approaches

A typical DAS program flowchart is shown in *Figure 2*. *Figure 2a* shows the initialization of the DAS and the start of the conversions. *Figure 2b* shows the general form of the DAS interrupt service routine. It is assumed that the DAS interacts with the processor through an interrupt line. This means the host processor generally is busy with other tasks and responds to the DAS through its interrupt service routine.



TL/H/11908-2

**FIGURE 2a. A Typical Program Flowchart for the DAS Initialization and Start of Conversions**



**FIGURE 2b. A Typical Program Flowchart for the DAS Interrupt Service Routine**

There is a processor initialization step at the start of the flowchart. It is included as a reminder that some specific processor initialization may be needed just for interaction with the DAS.

The DAS initialization steps are a series of write operations to the DAS registers. These steps are the same as mentioned in Section 2.2.

A full calibration cycle is usually performed after setting the DAS' registers. This is required for 12-bit accuracy. You may choose to perform one full calibration at power up, or periodic calibrations at specified time intervals, or condition-based calibrations, e.g., calibrations after a specified change in temperature. Calibration is done by writing the appropriate control code to the Configuration register. A full calibration cycle takes about 1 ms (989  $\mu$ s) with a 5 MHz clock and about 0.6 ms (618  $\mu$ s) with an 8 MHz clock. You can insert a delay after starting a calibration cycle, or can detect the end of calibration by an interrupt, or by reading the Interrupt Status register for the corresponding flag bit. In the flowchart, the end-of-calibration detection is handled in the interrupt service routine. The full calibration cycle affects some of the DAS' internal flags and pointers that will influence the execution of the first instruction after calibration. To avoid false instruction execution, the DAS should be reset after a calibration cycle. This is shown on the flowchart for the interrupt service routine.

After a calibration, the DAS is ready to start conversions. Conversion is initiated by writing to the configuration register and setting the START bit to "1". The data to be written to the configuration register is shown in binary format in the flowchart. The bits shown by "P" (program) are the control bits that determine different modes of operation during conversions. All the other bits should be programmed as shown. As mentioned before, the host processor can perform data manipulation and other control tasks after starting the DAS, and will respond to the DAS interrupts as required.

At the start of the interrupt service routine (Figure 2b), a zero is written to START bit in the Configuration register, to stop the conversion. Stopping the conversion is not necessarily needed unless it is required for accuracy or timing purposes. Generally the results of conversions will be noisier and less accurate if reads or writes to and from the DAS are performed while it is converting. However, the degree of this inaccuracy depends on many aspects of system design and is not easy to quantify. Power supply and ground routing, supply bypassing, speed of logic transitions on the bus,

the logic family being used, and the loading (resistive and capacitive) on the data bus being driven by the DAS, all can affect conversion noise. Nevertheless, reading during conversions has been shown not to cause serious accuracy problems in most systems.

There are two timing issues regarding the reading during conversion.

During any read or write from or to the DAS, the DAS internal clock will stop while the  $\overline{CS}$  is low. This is done for synchronization between external and internal bus activities, thus preventing internal conflicts. Note that reads and writes are asynchronous to internal bus activities. A pause of internal clock cycles will increase the total acquisition plus conversion time for each instruction. The amount of this time increase is variable and is not easily predictable, because the processor and the DAS work asynchronously. As a result, the user should not perform reads during conversions if the fixed time intervals between the signal acquisitions are critical in the system performance.

The second timing issue depends on the speed of the conversions and the speed of the read cycles from the FIFO. The rule is to read the FIFO fast enough that old data will not be overwritten with new data during continuous conversions.

Returning to the flowchart, the main task of the interrupt service routine is to read the DAS' Interrupt Status register and test its bits for the source of the interrupt. The interrupt service routine shows all the interrupt bits in the DAS being tested. However, real systems often use only a few number of the interrupts, so the extra bit tests should be eliminated from the routine. Also, the sequence in which the bits are tested depends on the priority level of the interrupts in the system. The tasks to be performed for each interrupt are mainly system related and are not elaborated upon in the flowchart. If conversions are stopped at the start of the interrupt service, one possibility is to restart conversion before returning from the interrupt service routine. Otherwise conversions will be restarted again at some other point in the system routines.

#### 2.4 The DAS/Processor Interface

The interface between the processor and the DAS is similar to a memory or I/O interface. Some possible DAS/ microcontroller interface schemes are shown in Figures 3, 4 and 5.

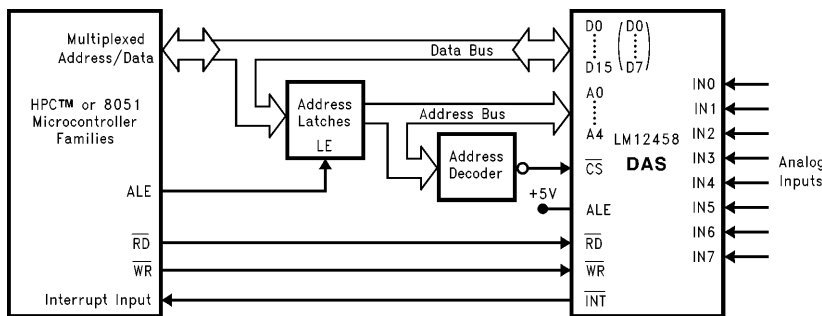


FIGURE 3. LM12458 to HPC or 8051 Microcontroller Interface

TL/H/11908-4

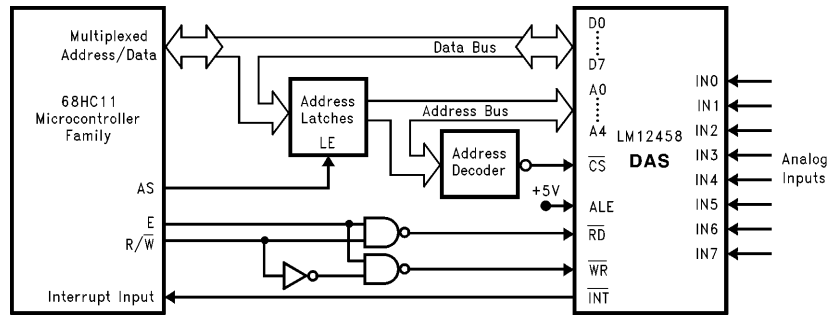


FIGURE 4. LM12458 to 68HC11 Microcontroller Interface

TL/H/11908-5

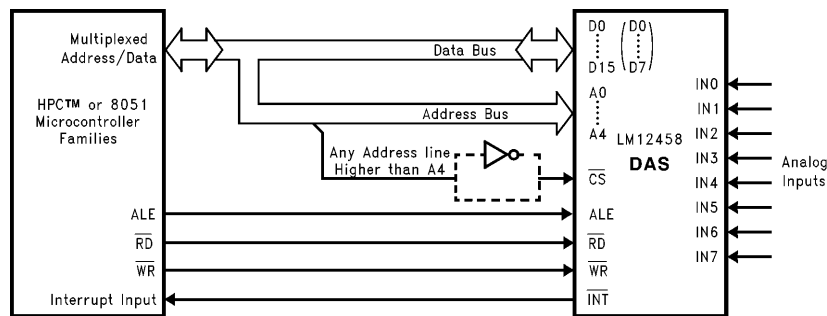


FIGURE 5. LM12458 to HPC or 8051 Microcontroller Interface (Minimum System)

TL/H/11908-6

From the processor's point of view, the DAS is a group of I/O registers with specific addresses. Figure 6 illustrates the DAS registers with their address assignments and the DAS interface buses and control signals. The DAS provides standard architecture for address, data and control buses for parallel interface to processors. The DAS can be interfaced to both multiplexed and non-multiplexed address/data bus architectures. An ALE input and internal latches allow the DAS to interface to a multiplexed address/data bus when

external address latches are not required by the system. The DAS can be accessed in either 8-bit or 16-bit data width. BW (Bus Width) input pin selects the 8-bit or 16-bit access. In 8-bit access mode, each 16-bit I/O register is accessed in 2 cycles. Address line A0 selects the lower or upper portions of a 16-bit register. In 16-bit access mode, address line A0 is a "don't care". As shown in the Figures 6a and 6b, the DAS appears to the processor as 14 separate 16-bit or 28 separate 8-bit I/O locations.



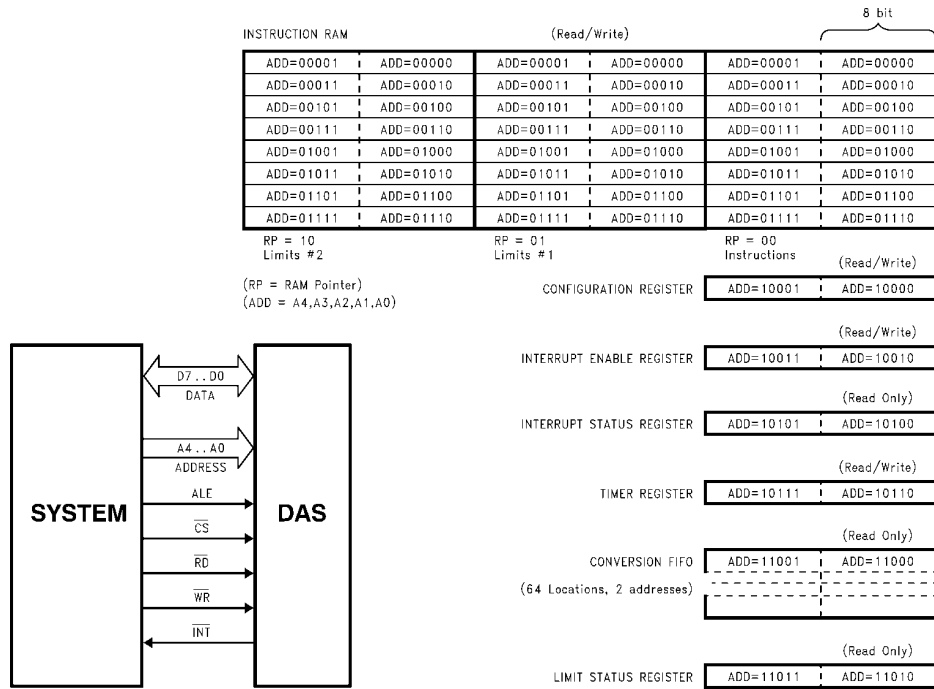


FIGURE 6a. DAS Registers, Address Assignments, Interface Buses and Control Signals for 8-Bit Bus Width

TL/H/11908-7

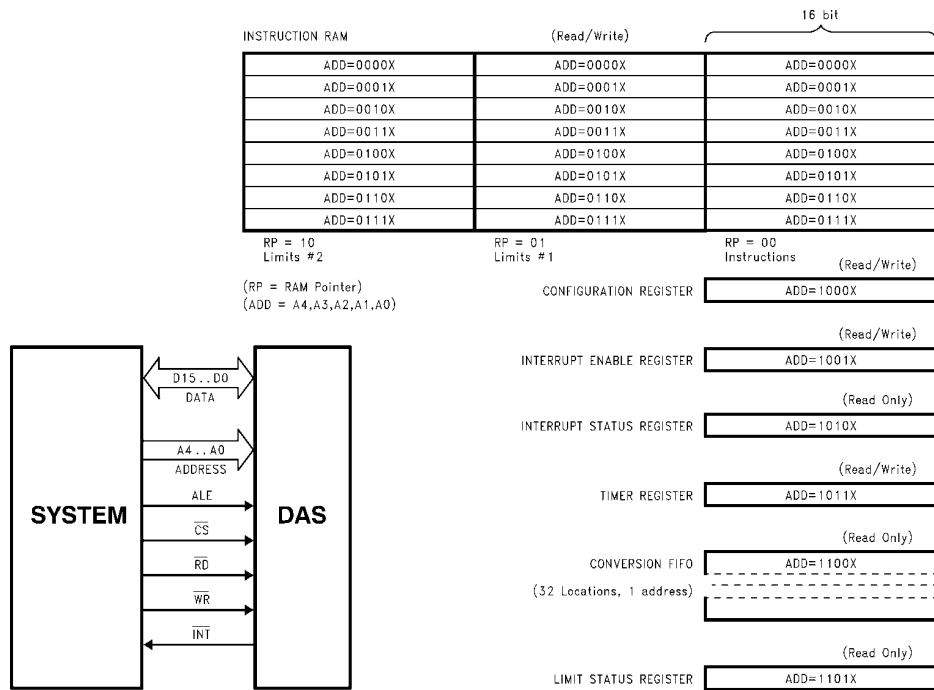


FIGURE 6b. DAS Registers, Address Assignments, Interface Buses and Control Signals for 16-Bit Bus Width

TL/H/11908-8

The interface should provide the address, data and control signals to the DAS with the following requirements:

- An address decoder is needed to generate a chip-select for the DAS within the required address range.
- The switching relationship between ALE,  $\overline{CS}$ ,  $\overline{RD}$ ,  $\overline{WR}$ , address bus and data bus should satisfy the DAS timing requirements. (Please refer to the data sheet for timing requirements.)
- When the DAS is working in an interrupt-driven I/O environment, a suitable service request link between the DAS and the system should be provided. This can be as simple as connecting the DAS' INT output to a processor's interrupt input or as sophisticated as using interrupt arbitration logic (interrupt controller) in systems that have many I/O devices.

*Figure 3* illustrates the generic interface for the National Semiconductor's HPC family of 16-bit microcontrollers and the 8051 family of 8-bit microcontrollers. *Figure 4* illustrates the interface for the 68HC11 family of microcontrollers or the processors with similar control bus architecture. The circuits in *Figures 3* and *4* are the maximum system schemes assuming the microcontroller is accessing other peripherals in addition to the DAS, therefore external address latches and an address decoder are required to select the DAS as well as the other peripherals. The size and complexity of the address decoder, however, depends on the system. In a minimum system scheme, the DAS can be interfaced to the microcontroller with minimal external logic for address latches and address decoder. This is shown in *Figure 5*. Note that the DAS'  $\overline{CS}$  signal is also latched with the ALE inside the DAS, so a higher order address bit can be used to drive  $\overline{CS}$  input. In this scheme a wide range of addresses (with many bits as "don't cares") are used to access the DAS. Care must be taken not to use this address range for any other memory or I/O locations. For example, lets assume bit A15 is used for  $\overline{CS}$ , and must be 1 (inverter in place) to select the DAS. As a result, all the 32k of the upper address range is used for the DAS. However, address bits A5 to A14 are "don't cares" and the DAS can be mapped anywhere within the upper 32k of the address range.

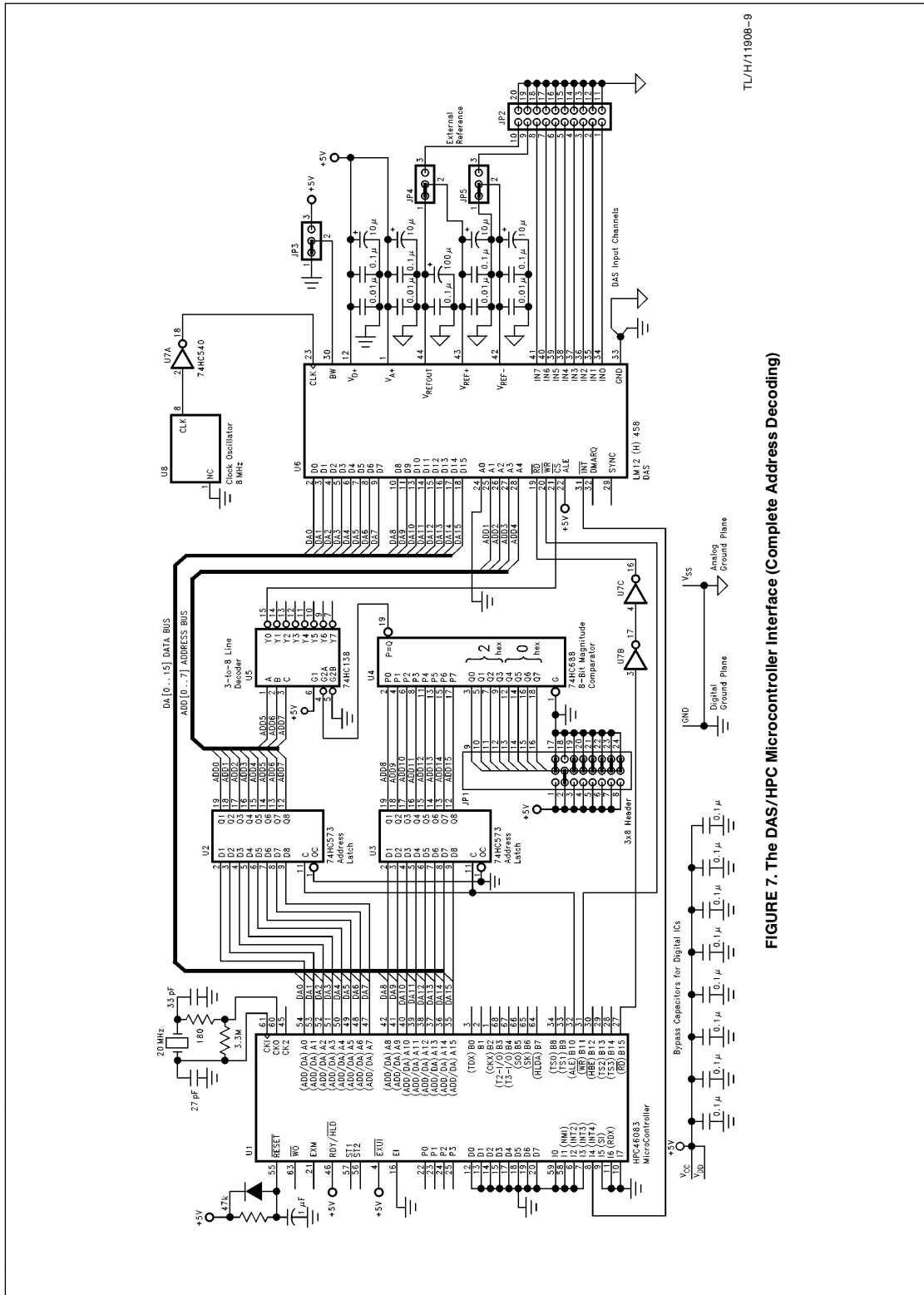
### 3.0 INTERFACING THE DAS TO HPC MICROCONTROLLERS

In this section we are going to develop a detailed interface circuit between the HPC46083 microcontroller and the DAS. The HPC46083 is a member of the HPC family of high per-

formance 16-bit microcontrollers. The HPC family is available in a variety of versions suitable for specific applications. The reader is encouraged to refer to HPC family data sheets for complete information, available versions, and their specifications. The HPC46083, a 16-bit microcontroller with 16-bit multiplexed data and address lines, is one of the simplest members of the family. It is a complete microcontroller containing all the necessary system timing, internal logic, ROM, RAM, and I/O, and is optimized for implementing dedicated control functions in a variety of applications. Its architecture recognizes a single 64k byte of address space containing all the memory, registers and I/O addresses (memory-mapped I/O). The addressing space of the first 512 bytes (0000H to 01 FFH) contains 256 bytes of on-chip user RAM and internal registers. (The address values are given in hexadecimal format with suffix "H" as an indicator.) The last 8 kbytes of the address space (E000H to FFFFH) are on-chip ROM used mainly for program storage. In the following applications, the HPC46083 is setup for the expanded mode (as opposed to the single-chip mode) of operation that allows the external address range (0200H to DFFFH) to be accessed. The external data bus in the HPC family is configurable as 8-bit or 16-bit, allowing it to efficiently interface with a variety of peripheral devices.

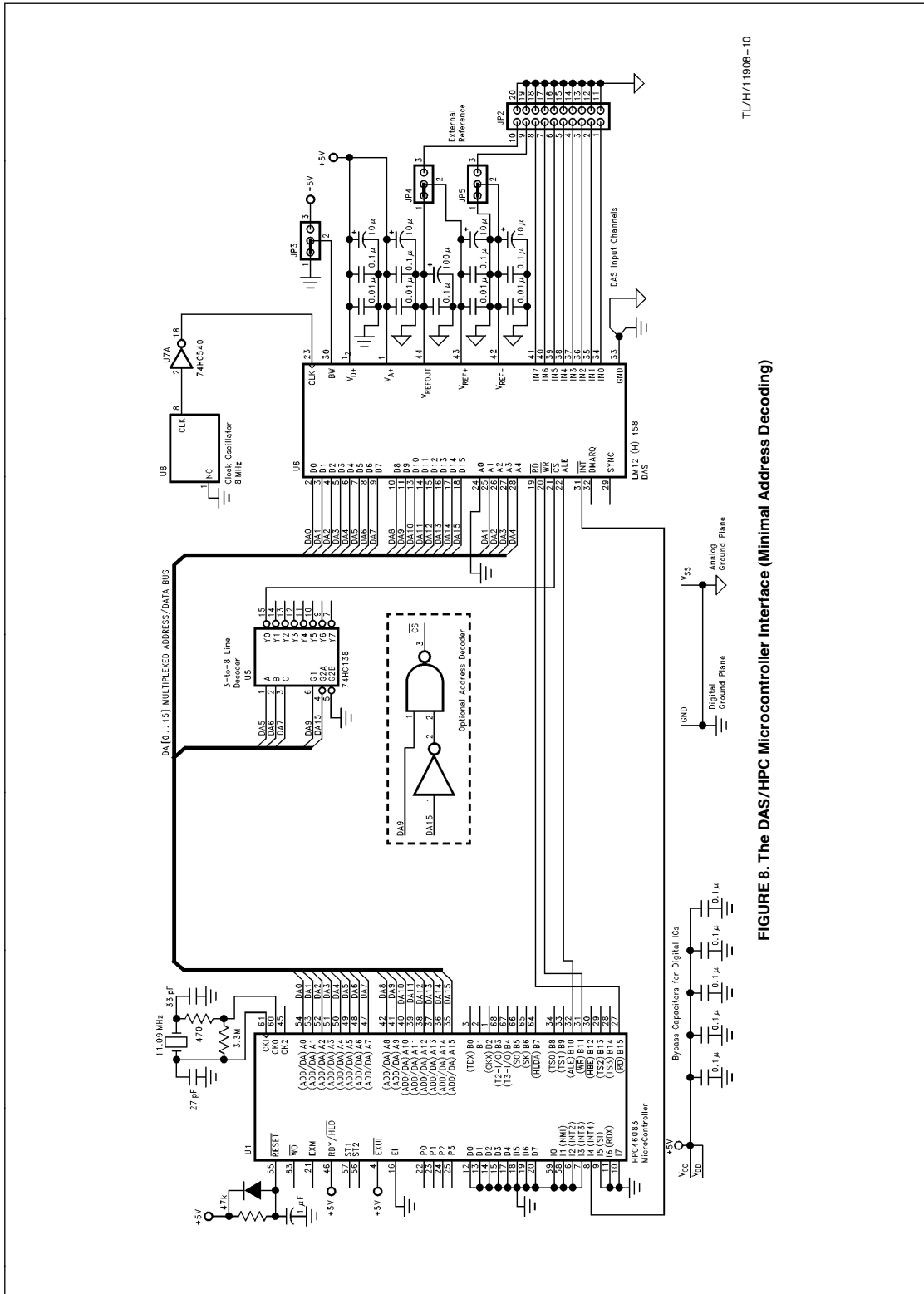
Interrupt handling is accomplished by the HPC46083's vector interrupt scheme. There are eight possible interrupt sources for the HPC46083. Four of these are maskable external interrupt inputs. These inputs can be programmed for different schemes, e.g., interrupt at low level, high level, rising edge or falling edge. One of these interrupts is used for interface with the DAS. The term "HPC" will be used throughout the remainder of this discussion to refer to the HPC46083.

Two different interface circuits are presented in *Figures 7* and *8*. The first circuit in *Figure 7* uses complete address decoding with the external address latches. This scheme assumes the HPC is accessing other devices using other address ranges. The circuit in *Figure 8* assumes the DAS is the only (or one of a few) peripherals interfaced to the HPC, so incomplete address decoding is used for minimum interface logic. Note that the address decoding schemes used in these circuits are only two of many different possibilities and are presented as generic forms of address decoding. These circuits are used as vehicles to illustrate the issues regarding the interface, and different schemes with other logic families or PAL devices can also be used for interface circuits.



TL/H/1808-9

FIGURE 7. The DAS/HPC Microcontroller Interface (Complete Address Decoding)



TL/H/11908-10

FIGURE 8. The DAS/HPC Microcontroller Interface (Minimal Address Decoding)

### 3.1 Complete Address Decoding

Figure 7 shows the circuit with complete address decoding to generate the DAS'  $\overline{CS}$  signal. The DAS is accessed as memory mapped I/O at the start of the external address range (0200H to 021BH), and 16-bit data access is selected for the DAS. External address latches, U2 and U3, (74HC573) are used for the HPC's multiplexed 16-bit data/address lines. As a result, the ALE input of the DAS is tied high. An 8-bit magnitude comparator, U4, (74HC688) decodes the high order address byte [A15...A8] by comparing it with the logic input from the address range selector jumpers on header JP1. The jumper setting shown in Figure 7 is 02H. The output of the magnitude comparator enables 3-to-8 line decoder chip, U5, (74HC138). The 3-to-8 line decoder inputs are address lines A5 to A7. The output Y0 of the 3-to-8 line decoder is activated for the 32 locations of address space from 0200H to 021FH. This output (Y0) is used for the DAS'  $\overline{CS}$  input. Address lines A1 to A4 are directly connected to the DAS address inputs. The A0 input of the DAS is tied to ground since 16-bit data access is used and A0 is a "don't care". The DAS uses 28 bytes of address locations with addresses from 0200H to 021BH.

The DAS signal timing requires that its  $\overline{CS}$  be active at least 20 ns before  $\overline{RD}$  or  $\overline{WR}$ . This requirement cannot be met with the HPC running at 20 MHz clock frequency. In order to compensate for the propagation delays in the address latches and decoder, 2 inverting buffers (U7), are placed in the  $\overline{RD}$  control line. The need for these inverters will be discussed further in the following Timing Analysis section. The  $\overline{WR}$  line does not require this delay compensation.

The DAS'  $\overline{INT}$  output drives the INT4 input of the HPC. This allows the DAS to request service when acquired data is ready or for any other condition for which processor attention is needed. The selection of INT4 is arbitrary, and any other external interrupt input could have been used. In a real system, selection of a processor interrupt input will be based on the number of interrupt driven I/O devices and the priority for each device.

The DAS' clock is driven with an 8 MHz crystal clock module. The output of the clock module is separately buffered for the DAS. This keeps the DAS' clock clean and minimizes interference that might be generated and induced by other devices using the same clock line.

### 3.2 Minimal Address Decoding

The circuit in Figure 8 does not use the external address latches (U2, U3), the 8-bit magnitude comparator (U4), and the address setting jumpers (JP1). The 3-to-8 line decoder (U5) is still used and is enabled by the address/data lines DA9 and DA15. DA9 should be "1" to enable U5. This is selected to prevent address conflict between the DAS and the HPC internal RAM and registers, which use the address range 0000H to 01FFFH with DA9 equal to "0". DA15 should be "0" to enable U5. This is selected to prevent conflict between the DAS and the HPC internal ROM, which uses the address range E000H to FFFFH with DA15 equal to "1". The Y0 output of U5 is still driving the DAS'  $\overline{CS}$  input. The ALE output of the HPC directly drives the DAS' ALE input. The ALE latches the address and  $\overline{CS}$  lines on the DAS' internal latches at the start of any data transfer cycle with the DAS.

The DAS can still be accessed with the same address range in the Figure 7 circuit, which is 0200H to 021BH. However, many address bits are "don't care" in this case. The binary form of the DAS register addresses for the circuit in Figure 8 is: 0XXX,XX1X,000P,PPP0. The P's indicate program bits, these will be programmed to select different registers. The X's are "don't care" bits. The rest of the bits should be programmed as shown.

The 3-to-8 line decoder (U5) outputs, Y1 to Y7, can still be used to access other peripherals, those peripherals should have internal latches for the address and chip-select as well. For example, up to eight DAS chips can be interfaced to an HPC using the circuit in Figure 8, for monitoring and data logging of 64 analog input channels. If the interface is for one DAS only, the DAS'  $\overline{CS}$  input can be generated with minimum of 2 gates, as shown within the dashed-lines on Figure 8, replacing the U5.

The critical DAS timing requirement for the circuit in Figure 8 is the address and chip-select setup time to ALE going low. The HPC running at 20 MHz clock frequency cannot satisfy this timing specification. As a result, the clock speed of the HPC is lowered to 11.09 MHz to meet the DAS requirement. This point is also discussed further in the Timing Analysis section.

### 3.3 Timing Analysis

The user should perform a timing analysis along with the interface hardware design to ensure proper transaction of information between the processor and the DAS. For example the buffers in the  $\overline{RD}$  input of the DAS in Figure 7 are necessary to ensure proper timing. Similarly, the clock frequency of the HPC in Figure 8 was reduced to ensure proper timing. For every new circuit design the DAS timing specifications for read and write cycles should be compared with the HPC (or the processor being used) timing specifications. Any mismatch between the timing characteristics must be compensated by hardware design changes or software techniques.

#### 3.3.1 Complete Address Decoding Circuit

Study of the switching characteristics of the DAS and the HPC (running at 20 MHz) shows that the read cycle timing is more stringent than that of the write cycle. The timing diagram (Figure 9) shows the timing relationship for the signals involved in a read cycle. The first three signals are generated by the HPC (ALE, ADD/DATA,  $\overline{RD}$ ), and are shown with their minimum timing relationships. The three other signals are  $\overline{CS}$  and  $\overline{RD}$  received by the DAS, and DATA(DAS) which is sent to the HPC. The  $\overline{CS}$ ' longest propagation delay through the address latch (U3), magnitude comparator (U4), and 3-to-8 line decoder (U5) starts from the moment an address becomes valid. This propagation delay is, typically, 54 ns up to worst case of 116 ns.

**Note:** Maximum propagation delays for 74HC series logic devices are for 4.5V supply, 50 pF load and -40°C to 85°C temperature range. Typical values are for the same conditions at 25°C.

This delay, referred to the falling edge of the  $\overline{RD}$ (HPC), is 16 ns to 78 ns. The DAS requires that its  $\overline{RD}$  becomes active 20 ns after its  $\overline{CS}$ . This requirement compels insertion of delay on the HPC's  $\overline{RD}$  line before it is received by the DAS. Referenced to the HPC's  $\overline{RD}$  signal falling edge the DAS' should receive a  $\overline{RD}$  signal that is delayed by 36 ns to 98 ns (16 + 20 ns to 78 + 20 ns). Inverting buffers U7B and U7C

(75HC540) provide  $\overline{RD}$  signal delay between the HPC and the DAS. The two buffers' propagation delay specification is typically 24 ns and the maximum is 50 ns. This is less than the 36 ns to 98 ns requirement drawn from the analysis. However, practical measurements have shown that this delay is sufficient within a temperature range of 0°C to 50°C. This discrepancy results from the fact that the operating conditions on the specification sheets (loading capacitance, supply voltage) for the logic devices are more severe than the ones in the practical circuit. However, if the circuit is to perform reliably in worst case conditions, extra delay may be inserted in the  $\overline{RD}$  line.

The second timing requirement is the data setup time referenced to the rising edge of the HPC's  $\overline{RD}$  line. The DAS data outputs will be valid from a typical 10 ns to a maximum of 80 ns after the falling edge of its  $\overline{RD}$  line. The HPC requires 45 ns of setup time and has a  $\overline{RD}$  pulse width of 140 ns (1 wait state), resulting in 95 ns of total delay in the  $\overline{RD}$  buffers and data latency of the DAS. Again, at the extreme limits of the operating conditions, the valid data might miss the 45 ns of required setup time, so the insertion of 1 extra wait state (100 ns) in the read cycle of the HPC is required. The design shown here is an example to demonstrate necessary design considerations and may not be the best possible solution for every application.

The circuit of Figure 7 was implemented and tested using the "HPC Designer's Kit" development system. The development system performs the HPC real time emulation and

all of the HPC's features are available for use in the application. The HPC Designer's Kit also closely resembles the real processor's switching characteristics.

Figure 10 shows scope photos of the  $\overline{CS}$ ,  $\overline{RD}$  and  $\overline{WR}$  signals from the Figure 7 circuit, using the HPC development system. Figure 10a shows a read and a write cycle when no inverter is added in the  $\overline{RD}$  line. There is plenty of setup time for  $\overline{CS}$  to  $\overline{WR}$  but not for  $\overline{CS}$  to  $\overline{RD}$ . Figure 10b shows a close look of the  $\overline{CS}$  to  $\overline{RD}$  setup time of Figure 10a. The setup time is 18 ns (at room temperature), very close to 20 ns, but not enough margin for circuit and temperature variations. Figure 10c shows a close look of the  $\overline{CS}$  and  $\overline{RD}$  signals after adding the inverters in the  $\overline{RD}$  line. The setup time has increased to 30 ns with 10 ns of margin to cover for circuit variations and temperature changes.

### 3.3.2 Minimal Address Decoding Circuit

Study of the switching characteristics for the circuit of Figure 8 shows that the DAS address and  $\overline{CS}$  setup times to ALE low are not satisfied when the HPC is running at 20 MHz. The HPC generates a valid address only 18 ns (min) before its ALE goes low at this speed (see Figure 9). The DAS needs 40 ns of setup time. The solution is reducing the HPC's clock frequency. The HPC running at 10 MHz will have a minimum setup time of 43 ns. There is some extra delay for the DAS'  $\overline{CS}$  through U5 that must also be considered. This is the input to output propagation delay of U5, from the moment that address lines become valid to the point that the DAS'  $\overline{CS}$  (Y0 output of U5) goes low.

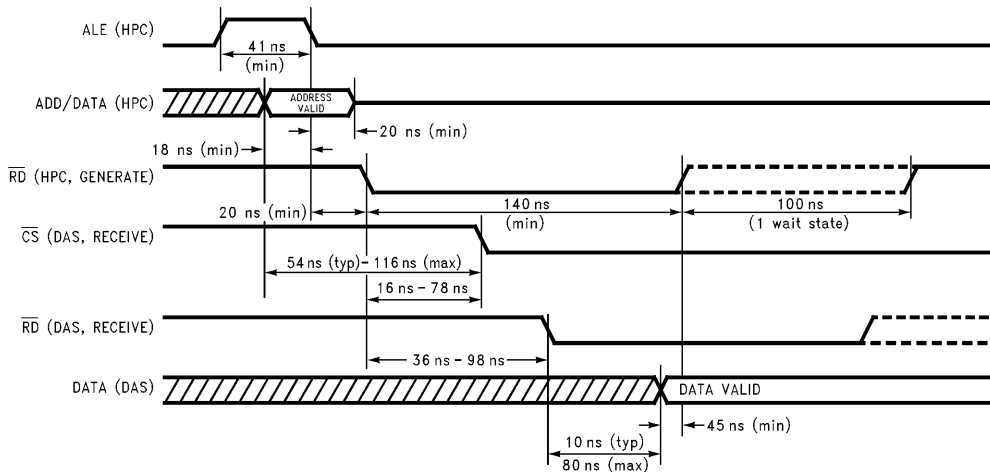
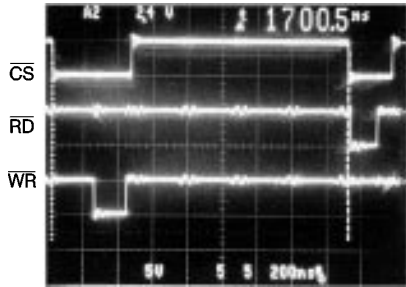


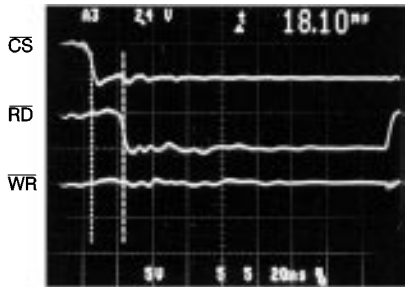
FIGURE 9. DAS/HPC Interface Timing Diagram (Complete Address Decoding)

TL/H/11908-11



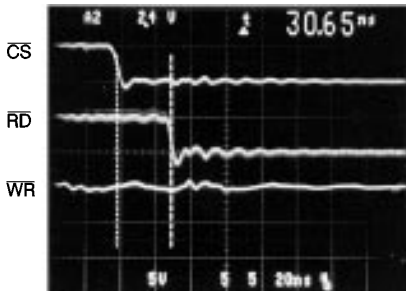
TL/H/11908-12

a) A Write and a Read Cycle, No Inverter in RD Line



TL/H/11908-13

b) A Close Look at the CS to RD Setup Time, No Inverter in RD Line



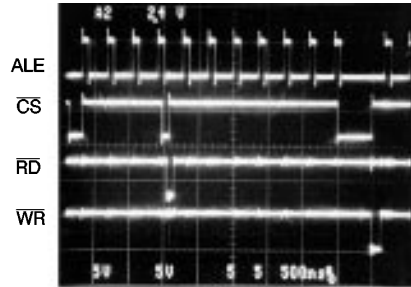
TL/H/11908-14

c) A Close Look at the CS to RD Setup Time, 2 Inverters in RD Line

**FIGURE 10. Scope Photos of CS, RD and WR Signals at the DAS, Figure 7 Circuit**

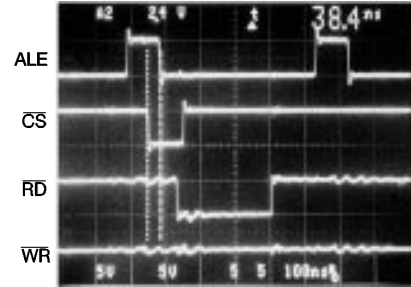
Practical measurements have shown reliable data transfer between the DAS and the HPC with the HPC running at 11.09 MHz clock at room temperature.

As a result of the HPC's lower clock frequency, the external data transfer can be performed with zero wait state, as opposed to the circuit of Figure 7 where 1 wait state is essential. This speeds up the external read and write cycles and is especially useful when multiple successive reads are performed from the FIFO.



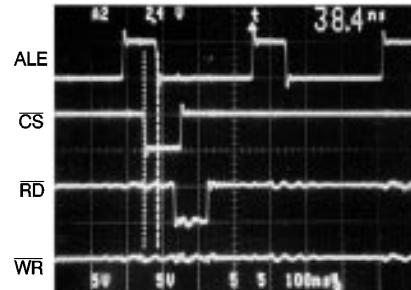
TL/H/11908-15

a) A Read and a Write Cycle with Zero Wait State



TL/H/11908-16

b) A Read Cycle with One Wait State



TL/H/11908-17

c) A Read Cycle with Zero Wait State

**FIGURE 11. Scope Photos of ALE, CS, RD and WR Signals at the DAS, Figure 8 Circuit**

The circuit of Figure 8 was also implemented and tested using the HPC development system. Figure 11 shows scope photos of the ALE, CS, RD and WR signals at the DAS inputs for the Figure 8 circuit. Figure 11a shows a read and a write cycle with zero wait states. Notice that the read and write pulse rising edges occur after the CS signal. This does not matter since CS is internally latched. Figures 11b and 11c give a more detailed view of the read cycles with 1 and 0 wait states, demonstrating about 180 ns shorter read cycle with no wait states. There is also about 38 ns of CS to

ALE low setup time. This is still about 2 ns less than the published DAS specifications. Although, practical tests resulted in reliable data transfer, to ensure dependable operation for the extremes of the circuit parameters and temperature variations, designers should use 10 MHz or less clock frequency for the HPC.

#### 4.0 A SYSTEM EXAMPLE: A SEMICONDUCTOR FURNACE

In this application example the DAS measures the inputs from five sensors in a semiconductor furnace. We assume one of the circuits in *Figures 7 or 8* is used as the furnace data acquisition and control system. The system requirements will be defined and based on these requirements the DAS programming values for the DAS registers will be specified. A typical assembly routine for the HPC will also be presented for the DAS initialization and data capture.

*Figure 12* shows a diagram of a typical measurement arrangement in a semiconductor furnace. A flow sensor measures the gas flow in the furnace chamber's duct. A pressure sensor measures the pressure in the chamber. Three temperature sensors measure the furnace temperature at the middle and each end of the furnace.

##### 4.1 System Requirements and Assumptions

To control the operation of the furnace the following five measurements must be made:

- Absolute temperature at T1, with 12-bit resolution.
- Relative temperature, T1 to T2, with 12-bit + sign resolution.
- Relative temperature, T1 to T3, with 12-bit + sign resolution.
- Gas flow, F, through the chamber, with 8-bit resolution.
- Pressure, P, in the chamber, with 8-bit resolution.

There are three alarm conditions that are also being monitored:

- Gas flow, F, exceeds a maximum limit.

- Gas flow, F, drops below a minimum limit.
- Pressure, P, exceeds a maximum limit.

The following assumptions are also made for the system:

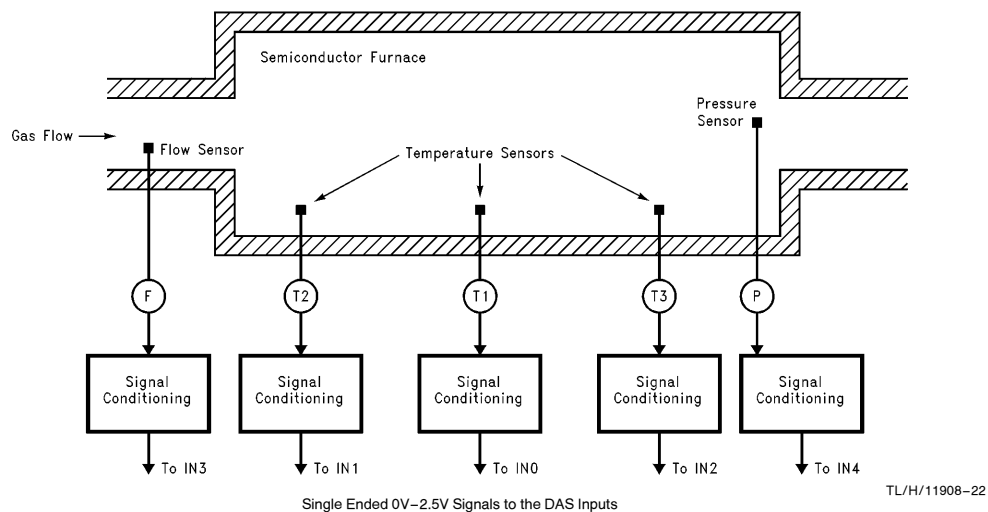
- All the signals from the sensors are conditioned (gain and offset adjusted) to provide voltage levels within 0V–2.5V for the DAS inputs.
- The output of all signal conditioning circuits are single ended with respect to analog ground.
- The signal at the output of the flow sensor signal conditioner has 600Ω source impedance.
- The DAS reference voltage is 2.5V, i.e.,  $V_{REF+} = 2.5V$  and  $V_{REF-} = AGND$ .
- The circuits in *Figure 7 or 8* (either one) is used for the furnace measurement and monitoring system. The following discussions and the program codes will be valid for both circuits.
- An approximate throughput rate of 50 Hz is desired for each set of measurement results (a set of results every 20 ms). However, due to the slow varying nature of the input signals, precisely controlled throughput rate is not essential for proper system performance.

##### 4.2 DAS Setup and Register Programming

Based on the system requirements, we can proceed with the DAS setup and register settings.

The five sensor outputs are assigned to the first five DAS inputs:

- IN0: T1
- IN1: T2
- IN2: T3
- IN3: F
- IN4: P
- IN5: Not used - Tied to GND
- IN6: Not used - Tied to GND
- IN7: Not used - Tied to GND



**FIGURE 12. Diagram of a Typical Measurement Arrangement in a Semiconductor Furnace**



Seven DAS instructions are needed for measurement and limit monitoring. Five perform the conversions and two perform the “watchdog” function for comparison of “F” and “P” against programmed limits. Note that the variable “F” needs only 1 instruction to monitor both high and low limits.

The following procedures are assumed for system operations:

- The seven instructions are executed in sequence from 0 to 6 with zero delay between them.
- After execution of instruction #6 the DAS loops back to instruction #0 and continues. Each loop is called an instruction loop.
- A delay is added, using the Timer register, before instruction #0 to provide 50 Hz throughput rate.
- Each instruction loop generates 5 conversion results. The FIFO is filled with 30 (6 sets of 5) results and is then read by the microcontroller. This is done by having an

interrupt (from the DAS to the HPC) when a specified number of results are contained in the FIFO.

- Conversion will not be stopped during FIFO reads. Reads are performed during last comparison instruction (#6) and during the delay before instruction #0. The reads add extra delay after each six instruction loop, but the amount of the delay is negligible compared to the 20 ms loop duration. (See Section 2.3 for a discussion on reading during conversion and the interruption of the internal clock during reads and writes.)

The input from the flow sensor has a 600Ω source impedance, so it requires additional acquisition time. Referring to the equation in the DAS data sheet, for the 8-bit and “watchdog” mode, the acquisition time value (D) programmed in bits D12 through D15 of the Instruction register should be equal to  $2 (D = 0.36 \times R_s(k\Omega) \times f_{clk}(MHz) = 0.36 \times 0.6 \times 8 = 1.73)$ .

Now the contents of the DAS registers can be specified.

#### INSTRUCTION REGISTER:

- Sync and Pause bits are not used.

Instruction Register definition:

D15	D14	D13	D12	D11	D10	D9	D8	D7	D6	D5	D4	D3	D2	D1	D0
Acquisition Time				W-dog	8/12	Timer	Sync	$V_{IN}^-$				$V_{IN}^+$		Paus.	Loop

Instruction #0: Measuring T1, Single Ended, 12-Bit, Timer enabled

$$V_{IN}^+ = IN0 (T1), \quad V_{IN}^- = AGND$$

D15	D14	D13	D12	D11	D10	D9	D8	D7	D6	D5	D4	D3	D2	D1	D0
0	0	0	0	0	0	1	0	0	0	0	0	0	0	0	0

Instruction #1: Measuring T1–T2, Differential mode, 12-Bit + sign

$$V_{IN}^+ = IN0 (T1), \quad V_{IN}^- = IN1 (T2)$$

D15	D14	D13	D12	D11	D10	D9	D8	D7	D6	D5	D4	D3	D2	D1	D0
0	0	0	0	0	0	0	0	0	0	1	0	0	0	0	0

Instruction #2: Measuring T1–T3, Differential mode, 12-Bit + sign

$$V_{IN}^+ = IN0 (T1), \quad V_{IN}^- = IN2 (T3)$$

D15	D14	D13	D12	D11	D10	D9	D8	D7	D6	D5	D4	D3	D2	D1	D0
0	0	0	0	0	0	0	0	0	1	0	0	0	0	0	0

Instruction #3: Measuring F, Single Ended, 8-Bit, D = 2

$$V_{IN}^+ = IN3 (F), \quad V_{IN}^- = AGND$$

D15	D14	D13	D12	D11	D10	D9	D8	D7	D6	D5	D4	D3	D2	D1	D0
0	0	1	0	0	1	0	0	0	0	0	0	1	1	0	0

Instruction #4: Watchdog mode, F, Single Ended, D = 2

$$V_{IN}^+ = IN3 (F), \quad V_{IN}^- = AGND$$

D15	D14	D13	D12	D11	D10	D9	D8	D7	D6	D5	D4	D3	D2	D1	D0
0	0	1	0	1	0	0	0	0	0	0	0	1	1	0	0

Instruction #5: Measuring P, Single Ended, 8-Bit

$$V_{IN}^+ = IN4 (P), \quad V_{IN}^- = AGND$$

D15	D14	D13	D12	D11	D10	D9	D8	D7	D6	D5	D4	D3	D2	D1	D0
0	0	0	0	0	1	0	0	0	0	0	1	0	0	0	0

Instruction #6: Watchdog mode, P, Single Ended, Loop bit enabled

$$V_{IN}^+ = IN4 (P), \quad V_{IN}^- = AGND$$

D15	D14	D13	D12	D11	D10	D9	D8	D7	D6	D5	D4	D3	D2	D1	D0
0	0	0	0	1	0	0	0	0	0	0	1	0	0	0	1

Instruction #7: Not Used

Instructions # 4 and #6 also have limit values. Instruction # 4 has two limit values and instruction #6 has only one limit value. These values are referred to as F\_MIN, F\_MAX, P\_MAX.

Instruction RAM, Limits definition:

D15	D14	D13	D12	D11	D10	D9	D8	D7	D6	D5	D4	D3	D2	D1	D0
Don't Care							>/<	Sign	Limit						

Instruction # 4, Limit # 1

D15	D14	D13	D12	D11	D10	D9	D8	D7	D6	D5	D4	D3	D2	D1	D0
0	0	0	0	0	0	1	0	F_MAX							

Instruction # 4, Limit # 2

D15	D14	D13	D12	D11	D10	D9	D8	D7	D6	D5	D4	D3	D2	D1	D0
0	0	0	0	0	0	0	0	F_MIN							

Instruction # 6, Limit # 1

D15	D14	D13	D12	D11	D10	D9	D8	D7	D6	D5	D4	D3	D2	D1	D0
0	0	0	0	0	0	1	0	P_MAX							

Instruction # 6, Limit # 2, Limit value equal negative full-scale to prevent false interrupts.

D15	D14	D13	D12	D11	D10	D9	D8	D7	D6	D5	D4	D3	D2	D1	D0
0	0	0	0	0	0	0	1	0	0	0	0	0	0	0	0

INTERRUPT ENABLE REGISTER:

- INT0: Comparison Limit: Enable
- INT1: Instruction Number: Disable
- INT2: FIFO Full: Enable
- INT3: Auto Zero Complete: Disable
- INT4: Calibration Complete: Enable
- INT5: Pause: Disable
- INT6: Low Supply: Disable
- INT7: Standby Return: Disable
- Programmed instruction number: 0, Not used
- Programmed number of results in FIFO: 30 (11110 binary)

Interrupt Enable Register

D15	D14	D13	D12	D11	D10	D9	D8	D7	D6	D5	D4	D3	D2	D1	D0
Number of results in FIFO				Instruction Number				INT7	INT6	INT5	INT4	INT3	INT2	INT1	INT0
1	1	1	1	0	0	0	0	0	0	0	1	0	1	0	1

**CONFIGURATION REGISTER:**

- No auto zero or calibration before each conversion.
- Instruction number on bits D13 to D15 of the conversion results.
- Sync bit is not used and can be programmed as either input or output.

**Configuration Register, Start Conversion Command**

D15	D14	D13	D12	D11	D10	D9	D8	D7	D6	D5	D4	D3	D2	D1	D0
Don't Care				Diag.	Test	RAM Pointer		Sync I/O	A/Z Each	Chan Mask	Stand-by	Full Cal	Auto Zero	Reset	Start
0	0	0	0	0	0	0	0	0	0	0	0	0	0	0	1

**Configuration Register, Reset Command**

D15	D14	D13	D12	D11	D10	D9	D8	D7	D6	D5	D4	D3	D2	D1	D0
0	0	0	0	0	0	0	0	0	0	0	0	0	0	1	0

**Configuration Register, Full Calibration Command**

D15	D14	D13	D12	D11	D10	D9	D8	D7	D6	D5	D4	D3	D2	D1	D0
0	0	0	0	0	0	0	0	0	0	0	0	1	0	0	0

**Configuration Register, RAM bank 1 Selection Command (Conversion is stopped)**

D15	D14	D13	D12	D11	D10	D9	D8	D7	D6	D5	D4	D3	D2	D1	D0
0	0	0	0	0	0	0	1	0	0	0	0	0	0	0	0

**Configuration Register, stopping the Conversion Command**

D15	D14	D13	D12	D11	D10	D9	D8	D7	D6	D5	D4	D3	D2	D1	D0
0	0	0	0	0	0	0	0	0	0	0	0	0	0	0	0

**TIMER REGISTER:**

To calculate the timer preset value, we must first calculate the total instruction execution time. The following table shows the number of clock cycles for each instruction. Please see datasheet, Section 4.0 (Sequencer), for the discussion of the states and their duration.

Instruction #	State 0	State 1	State 7	State 6	State 4	State 5	Number of Clock Cycles
0	1	1	9			44	55
1	1	1	9			44	55
2	1	1	9			44	55
3	1	1	2			21	25
4	1	1	2	5	1	5	15
5	1	1	6			21	29
6	1	1	6	5	1	5	19
Total:							253

There is a total of 253 clock cycles required for instruction execution. The Timer delay includes a fixed 2 clock cycles that must be added to 253, resulting in

$$253 + 2 = 255 \text{ clock cycles.}$$

The total time for 255 clock cycles would be:

$$255 \times \frac{1}{8} \text{ MHz} = 31.875 \mu\text{s.}$$

This time must be subtracted from 20 ms to get the Timer delay.

$$20 \text{ ms} - 31.875 \mu\text{s} = 19.968 \text{ ms.}$$

A Timer count is 32 clock cycles, with an 8 MHz clock (125 ns period), each Timer count is

$$32 \times 125 \text{ ns} = 4 \mu\text{s.}$$

The timer preset value is then

$$19.968 \text{ ms} \div 4 \mu\text{s} = 4992,$$

with a hex value of 1380H.

Once the required contents of the DAS registers have been determined, the next step is to program the processor to interact with the DAS.

#### 4.3 Microcontroller Programming

Interaction between a microcontroller and the DAS is basically accomplished by read and write operations, the microcontroller's external data transfer instructions are used for communications with the DAS.

A write operation to the DAS needs 2 variables: The DAS register address and the data to be written. A read operation from the DAS needs only the register address. The DAS register address and data will be referred to as DAS\_REG\_ADD and DAS\_DATA in the following examples.

Examples of assembly mnemonics for the DAS read and write operations are presented below for the HPC, 8051, and 68HC11 microcontroller families:

The HPC family can directly write 16-bit data to a memory-mapped I/O. Its main data transfer instruction is "LD" (load). Each read or write is only one instruction.

Write:

```
LD DAS_REG_ADD, #DAS_DATA
```

Read:

```
LD [destination], DAS_REG_ADD
```

The 8051 family accesses an external memory-mapped I/O indirectly through the DPTR (data pointer) register. The data should be preloaded to the accumulator for writes and the accumulator is the destination for reads. The transfer is 8-bit and two cycles are needed for 16 bits of data. The basic instruction are "MOV" (move), "MOVX" (move external) and "INC" (increment).

Write:

```
MOV DPTR, #DAS_REG_ADD
MOV A, DAS_DATA (low byte)
MOVX @DPTR, A
INC DPTR
MOV A, DAS_DATA (high byte)
MOVX @DPTR, A
```

Read:

```
MOV DPTR, #DAS_REG_ADD
MOVX A, @DPTR
MOV [destination], A
INC DPTR
MOVX A, @DPTR
```

The above examples assume 16-bit addressing, however registers R0 or R1 of the 8051 can be used in place of DPTR for 8-bit addressing.

The 68HC11 family can access external memory mapped I/O directly. The data should be preloaded to the accumulator for writes and the accumulator is the destination for reads. Although, the 68HC11 is an 8-bit processor, it has 16-bit data transfer instructions that uses a double accumulator (A + B, called D) and performs 2 transfer cycles using a single instruction. The basic instructions are "LDD" (load double accumulator) and "STD" (store double accumulator).

Write:

```
LDD #DAS_DATA
STD DAS_REG_ADD
```

Read:

```
LDD DAS_REG_ADD
```

##### 4.3.1 HPC Assembly Routines for the Semiconductor Furnace Example

The program listing in *Figure 13* is the HPC assembly routine for the semiconductor furnace application example. The program contains only the DAS initialization and the DAS interrupt service routine. A complete program for the application will have all the data manipulation and control functions, which are not discussed here.

The routines closely follow the procedure in the flowcharts of *Figure 2* and are extensively commented to be self-explanatory. The routines also separated according to the flowchart sections. The main difference between the routines and the flowchart is that the DAS is not stopped at the start of the interrupt service routine.

The interrupt service routine uses the IFBIT (if bit is true) instruction to test for the state of the interrupt status bits. This is very handy for control applications.

The READ\_FIFO routine reads the FIFO contents and stores them to a specified block of memory starting at the location called DAS\_RESULT. The size of the block and, consequently, the number of FIFO locations being read is programmable (30 locations on the listing). The routine is only 5 lines of assembly. It uses the multi-function "XS" (exchange and skip) instruction to perform the data transfer, address increment or decrement, and a compare for decision making. The first LD instruction in the READ\_FIFO routine loads the HPC's B and K registers with the starting address and the ending address of the memory block. The second instruction reads a word (16-bit) from the FIFO to "A" (accumulator). The XS instruction stores A in the memory location pointed to by B, increments B by 2 (for 2 bytes) and then compares B with K to test for the end of the memory block. If the end of the block has not been reached, the program jumps back to load the next word from the FIFO, otherwise the program skips the "JP" (jump) instruction and returns from the service routine.

```

1
2      #NOHEADING
3      #PWIDTH= 112
4
5      ;*****
6      ;*
7      ;* AN HPC ASSEMBLY ROUTINE FOR THE SEMICONDUCTOR APPLICATION EXAMPLE FOR THE *
8      ;* APPLICATION NOTE "INTERFACING THE LM12454/8 DATA ACQUISITION SYSTEM" *
9      ;* CHIPS TO MICROPROCESSORS AND MICROCONTROLLERS" *
10     ;*
11     ;* BY: FARID SALEH *
12     ;* DATE: 7/27/93 *
13     ;*****
14
15
16     ;***** HPC REGISTERS SYMBOLIC DEFINITIONS *****
17
18 00C0      PSW      = 0C0H      ;PROCESSOR STATUS REGISTER
19           ; SP      = 0C4H      ;STACK POINTER
20           ; PC      = 0C6H      ;PROGRAM COUNTER
21           ; A       = 0C8H      ;ACCUMULATOR
22           ; K       = 0CAH      ;K REGISTER
23           ; B       = 0CCH      ;B REGISTER
24           ; X       = 0CEH      ;X REGISTER
25 00E2      PORTB   = 0E2H      ;PORT B DATA REGISTER
26 00F2      DIRB   = 0F2H      ;PORT B DIRECTION REGISTER
27 00F4      BFUN   = 0F4H      ;PORT B ALTERNATE FUNCTION REGISTER
28 00D0      EMIR   = 0D0H      ;INTERRUPT ENABLE REGISTER
29 00D4      IRCD   = 0D4H      ;INTERRUPT / INPUT CAPTURE CONDITION REGISTER
30 00D2      IRPD   = 0D2H      ;INTRUPT PENDING REGISTER
31
32     ;***** DAS REGISTERS / VARIABLES / CONSTANTS SYMBOLIC DEFINITIONS *****
33
34 0200      INSTR0  = 0200H     ;DAS INSTRUCTION REGISTER ADDRESSES
35 0202      INSTR1  = 0202H     ;READ/WRITE REGISTERS
36 0204      INSTR2  = 0204H     ; "
37 0206      INSTR3  = 0206H     ; "
38 0208      INSTR4  = 0208H     ; "
39 020A      INSTR5  = 020AH     ; "
40 020C      INSTR6  = 020CH     ; "
41 020E      INSTR7  = 020EH     ; "
42
43 0210      CONFIG  = 0210H     ;DAS CONFIGURATION REGISTER ADDRESS, R/W
44 0212      INTEN   = 0212H     ;DAS INTERRUPT ENABLE REG. ADDRESS, R/W
45 0214      INTSTAT = 0214H     ;DAS INTERRUPT STATUS REG. ADD. READ ONLY
46 0216      TIMER   = 0216H     ;DAS TIMER REG. ADDRESS, R/W
47 0218      PIFO    = 0218H     ;DAS FIFO ADDRESS, READ ONLY
48 021A      LMTSTAT = 021AH     ;DAS LIMIT STATUS REG. ADD. READ ONLY
49
50 01C0      DAS_RESULT = 01C0H   ;START ADDRESS OF TOP 64 LOCATION OF HPC
51           ;ON-CHIP RAM TO STORE CONVERSION RESULTS
52 00BC      DAS_INT_MEM = 00BCH  ;HPC MEMORY LOCATION TO STORE INTERRUPT
53           ;STATUS REGISTER
54 00BE      DAS_LIM_MEM = 00BEH  ;HPC MEMORY LOCATION TO STORE LIMIT STATUS
55           ;REGISTER
56 001E      PIFO_CNT = 30        ;NUMBER OF RESULTS IN FIFO, A DECIMAL VALUE
57 1380      TIMER_SET = 01380H   ;TIMER PRESET VALUE
58
59 00FF      F_MAX   = 0FFH       ;HIGH LIMIT FOR GAS FLOW
60 0000      F_MIN   = 000H       ;LOW LIMIT FOR GAS FLOW
61 00FF      P_MAX   = 0FFH       ;HIGH LIMIT FOR PRESSURE
62
63 00BA      FLAGS   = 00BAH      ;GENERAL SOFTWARE FLAGS BYTE
64 0000      CAL_FLG = 0          ;BIT 0 OF FLAGS BYTE FOR CALLIBRATION
65
66 0000      .SECT PDASTST,ROM16
67

```

TL/H/11908-18

FIGURE 13. HPC Assembly Program Listing (Continued)

```

68          ;***** HPC INITIALIZATION *****
69
70 0000      START:
71 0000 9718C0      LD      PSW.B,#018H          ;PROCESSOR STATUS WORD,EXPANDED MODE
72                                     ;1 WAIT STATE, CAN BE ZERO WAIT STATE
73                                     ;FOR CIRCUIT IN FIGURE 8, #01CH
74 0003 9700D0      LD      ENIR.B,#00H         ;DISABLE ALL INTERRUPTS
75 0006 9700D2      LD      IRPD.B,#00H         ;CLEAR ANY INTERRUPT PENDING BIT
76 0009 9700D4      LD      IRCD.B,#00H         ;SET I4 FOR HIGH TO LOW EDGE DETECT
77 000C B7000E2     LD      PORTB.W,#00H        ;PORT B ALL ZERO
78 0010 B7FFFFF2     LD      DIRB.W,#0FFFFH       ;PORT B ALL OUTPUTS, B10,11,12 AND 15
79                                     ;ARE PREDEFINED DUE TO EXPANDED MODE
80                                     ;NOTE: PORT A IS ALSO PREDEFINED
81 0014 B70000F4     LD      BFUN.W,#00H        ;PORT B NO ALTERNATE FUNCTION
82
83          ;***** DAS REGISTERS INITIALIZATION *****
84
85 0018 83020210AB   LD      CONFIG.W,#0002H      ;RESET, SELECT RAM SECTION 0, RP=00
86
87 001D 8702000200AB LD      INSTR0.W,#0200H     ;INSTRUCTIONS INITIALIZATION, VALUES
88 0023 83200202AB   LD      INSTR1.W,#0020H     ;ARE AS SPECIFIED ON THE SYSTEM
89 0028 83400204AB   LD      INSTR2.W,#0040H     ;DESIGN
90 002D 87240C0206AB LD      INSTR3.W,#0240CH    ; "
91 0033 87280C0208AB LD      INSTR4.W,#0280CH    ; "
92 0039 870410020AAB LD      INSTR5.W,#0410H    ; "
93 003F 870811020CAB LD      INSTR6.W,#0811H    ; "
94
95 0045 8701000210AB LD      CONFIG.W,#0100H     ;SELECT RAM SECTION 1, RP=01
96
97 004B 8702FF0208AB LD      INSTR4.W,#(0200H+F_MAX) ;HIGH LIMIT FOR INSTRUCTION 4
98 0051 8702FF020CAB LD      INSTR6.W,#(0200H+P_MAX) ;HIGH LIMIT FOR INSTRUCTION 6
99
100 0057 8702000210AB LD      CONFIG.W,#0200H     ;SELECT RAM SECTION 2, RP=10
101
102 005D 83000208AB   LD      INSTR4.W,#(0000H+F_MIN) ;LOW LIMIT FOR INSTRUCTION 4
103 0062 870100020CAB LD      INSTR6.W,#0100H     ;LOW LIMIT FOR INSTRUCTION 6
104                                     ;NEGATIVE FULL-SCALE, NOT USED
105
106 0068 87F0150212AB LD      INTEN.W,#((FIFO_CNT*2048)+015H)
107                                     ;SHIFT FIFO_CNT TO MSBs OF HIGH
108                                     ;BYTE, THEN ADD LOW BYTE (015H),
109                                     ;DAS INT # 0, 2 AND 4 ARE ENABLED
110 006E 8713800216AB LD      TIMER.W,#TIMER_SET  ;TIMER INITIALIZED WITH PRESET VALUE
111
112          ;***** ENABLING HPC INTERRUPT #4 *****
113
114 0074 9711D0      LD      ENIR.B,#011H        ;ENABLE HPC GLOBAL AND INTERRUPT #4
115
116          ;***** DAS FULL CALIBRATION *****
117
118 0077 96BA08      SBIT    CAL_FLG,FLAGS.B     ;SET CALIBRATION FLAG FOR PROGRAM
119                                     ;CONTROL
120 007A 83080210AB   LD      CONFIG.W,#0008H     ;DAS CALIBRATION IS STARTED
121
122 007F 96BA10      WAIT1:  IFBIT  CAL_FLG,FLAGS.B ;CHECK FOR CAL_FLG, IF 1 WAIT,
123                                     ;IDEL LOOP UNTIL CALIBRATION IS DONE
124 0082 63          JP      WAIT1          ;AND INTERRUPT FROM DAS IS RECEIVED,
125                                     ;IN A COMPLETE PROGRAM, PROCESSOR
126                                     ;CAN DO OTHER TASKS
127
128          ;***** STARTING THE CONVERSIONS *****
129
130 0083 83010210AB   LD      CONFIG.W,#0001H     ;START BIT = 1, DAS STARTS
131
132 0088 60          WAIT2:  JP      WAIT2          ;IDEL LOOP FOR HPC TO WAIT FOR DAS
133                                     ;INTERRUPT
134                                     ;THIS IS MAINLY A TEST STATEMENT HERE
135                                     ;AND IN A COMPLETE PROGRAM PROCESSOR
136                                     ;IS DOING OTHER TASKS
137
138

```

TL/H/11908-19

FIGURE 13. HPC Assembly Program Listing (Continued)

```

139          ;***** THE DAS INTERRUPT SERVICE ROUTINE *****
140
141 PFF6 8900      R  .IPT 4, DAS_INTSERV          ;ASSEMBLER INTERRUPT ADDRESS DIRECTIVE
142
143 0089          DAS_INTSERV:
144
145 0089 AFC8      PUSH  A          ;PUSH INSTRUCTIONS TO SAVE REGISTER
146 008B AFCC      PUSH  B          ;CONTENTS ON STACK, A, B, K, X AND
147 008D AFCA      PUSH  K          ;PSW ARE SHOWN AS GENERAL PURPOSE
148 008F AFCE      PUSH  X          ;REGISTERS, IF REGISTERS ARE NOT USED
149 0091 AFC0      PUSH  PSW.W       ;IN INTERRUPT SERVICE ROUTINES, THEY
150                                     ;CAN BE DELETED FROM THE LIST
151
152 0093 A40214BCAB LD  DAS_INT_MEM.W,INTSTAT.W ;STORE CONTENTS OF DAS INTERRUPT REG.
153                                     ;IN HPC MEMORY FOR BIT TESTING
154
155          ;***** INDIVIDUAL BITS IN THE DAS_INT_MEM ARE TESTED AND DIFFERENT *****
156          ;***** ROUTINS WILL SERVE INDIVIDUAL CASES *****
157
158 0098 96BC12     IPBIT 2,DAS_INT_MEM.B      ;IF INTERRUPT IS FROM FIFO FULL
159 009B 4E         JP   READ_FIFO             ;JUMP TO ROUTINE READ_FIFO
160                                     ;OTHERWISE TEST THE NEXT BIT
161 009C 96BC10     IPBIT 0,DAS_INT_MEM.B      ;IF ANY LIMITS IS PASSED JUMP TO
162 009F 49         JP   DAS_LIMIT            ;ROUTINE DAS_LIMIT FOR ACTION
163                                     ;OTHERWISE MOVE ON
164 00A0 83020210AB LD  CONFIG.W,#0002H      ;IF NON OF THE ABOVE BITS MUST BE
165 00A5 96BA18     RBIT  CAL_FLG,FLAGS.B     ;CALIBRATION COMPLETE, RESET THE DAS
166 00A8 4C         JP   DONE                ;AND CAL_FLG, THEN RETURN
167
168          ;***** SERVICE ROUTINE DAS_LIMIT *****
169
170 00A9          DAS_LIMIT:
171
172          ;BODY OF THE SERVICE ROUTINE
173          ;THIS ROUTINE SHOULD READ THE DAS LIMIT STATUS REGISTER AND TEST THE
174          ;NECESSARY BITS, BASED ON WHAT BIT IS SET THE PROPER ACTION IS TAKEN
175          ;
176 00A9 4B         JP   DONE
177
178          ;***** SERVICE ROUTINE READ_FIFO *****
179
180 00AA          READ_FIFO:
181
182 00AA A701C001FA LD  BK.W,#DAS_RESULT,#(DAS_RESULT+2*FIFO_CNT-2)
183                                     ;LOAD B FOR STARTING ADDRESS OF THE
184                                     ;BLOCK TO BE FILLED WITH FIFO,
185                                     ;SET K FOR UPPER LIMIT OF THE BLOCK
186
187 00AF B60218A8   LPPFIFO: LD  A,FIFO.W          ;LOAD ACC WITH FIFO CONTENTS, FIFO
188                                     ;POINTER IS INCREMENTED ON EACH READ
189 00B3 E1         XS  A,[B+].W           ;STORE ACC TO THE HPC's RAM WITH B
190                                     ;AUTO-INCREMENT AND SKIP IF GREATER
191                                     ;THAN K
192 00B4 65         JP   LPPFIFO
193
194 00B5 3FC0       DONE: POP  PSW.W       ;RELOAD THE SAVED REGISTERS BACK
195 00B7 3FCE       POP  X          ;FROM STACK
196 00B9 3FCA       POP  K          ;
197 00BB 3FCC       POP  B          ;
198 00BD 3FC8       POP  A          ;
199
200 00BF 3E         RETI          ;RETURN FROM INTRRUPT ROUTINE
201
202 00C0          .END START

```

\*\*\*\* Errors: 0, Warnings: 0

TL/H/11908-20

FIGURE 13. HPC Assembly Program Listing

**APPENDIX A: Registers Bit Assignments and Programmer's Notes**

**CONFIGURATION REGISTER (Read/Write):**

D15	D14	D13	D12	D11	D10	D9	D8	D7	D6	D5	D4	D3	D2	D1	D0
Don't Care				Diag.	Test	RAM Pointer		Sync I/O	A/Z Each	Chan Mask	Stand-by	Full Cal	Auto Zero	Reset	Start

- D0: - Start: 0 = Stops the instruction execution. 1 = Starts the instruction execution
- D1: - Reset: When set to 1, resets the Start bit, also resets all the bits in status registers and resets the instruction pointer to zero, will automatically reset itself to zero after 2 clock pulses
- D2: - Auto-Zero: When set to 1 a long auto-zero calibration cycle is performed
- D3: - Full Calibration: When set to 1 a full calibration cycle is performed
- D4: - Standby: When set to 1 the chip goes to low-power standby mode, resetting the bit will return the chip to active mode after a power-up delay
- D5: - Channel Mask: 0 = Bits 13 to 15 of the conversion result hold the instruction number to which the result belongs, 1 = Bits 13 to 15 of the result hold the extended sign bit
- D6: - A/Z Each: When set to 1 a short auto-zero cycle is performed before each conversion
- D7: - Sync I/O: 0 = Sync pin is input, 1 = Sync pin is output
- D9–D8: - RAM Pointer: Selects the sections of the instruction RAM, 00 = Instructions, 01 = Limits #1, 10 = Limits #2
- D10: - This bit is used for production testing, must be kept zero for normal operation
- D11: - Diagnostic: When set to 1 perform diagnostic conversion along with a properly selected instruction
- D15–D12: - Don't care

**PROGRAMMER'S NOTES:**

**Configuration Registers:** Address:                      Symbol:  
Note:

D15	D14	D13	D12	D11	D10	D9	D8	D7	D6	D5	D4	D3	D2	D1	D0

Hexadecimal value:

**Configuration Register:** Address:                      Symbol:  
Note:

D15	D14	D13	D12	D11	D10	D9	D8	D7	D6	D5	D4	D3	D2	D1	D0

Hexadecimal value:

**Configuration Register:** Address:                      Symbol:  
Note:

D15	D14	D13	D12	D11	D10	D9	D8	D7	D6	D5	D4	D3	D2	D1	D0

Hexadecimal value:



**APPENDIX A: Registers Bit Assignments and Programmer's Notes**

**INSTRUCTION RAM (Read/Write): (Continued)**

Instruction:

D15	D14	D13	D12	D11	D10	D9	D8	D7	D6	D5	D4	D3	D2	D1	D0
Acquisition Time				W-dog	8/12	Timer	Sync	V <sub>IN-</sub>			V <sub>IN+</sub>		Paus.	Loop	

- D0: - Loop: 0 = Go to next instruction, 1 = Loop back to instruction #0
- D1: - Pause: 0 = No pause, 1 = Pause, don't do the instruction, Start bit in configuration register resets to 0 when a pause encountered, a 1 written to Start bit restarts the instruction execution
- D4–D2: - V<sub>IN+</sub>: Selects which input channel is connected to A/D's non-inverting input
- D7–D5: - V<sub>IN-</sub>: Selects which input channel is connected to A/D's inverting input
- D8: - Sync: 0 = Normal operation, internal timing, 1 = S/H and conversion (comparison) timing, is controlled by SYNC input pin
- D9: - Timer: 0 = No timer operation, 1 = Instruction execution halts until timer counts down to zero
- D10: - 8/12: 0 = 12-bit + sign resolution, 1 = 8-bit + sign resolution
- D11: - Watchdog: 0 = No watchdog comparison, 1 = Instruction performs watchdog comparisons
- D15–D12: - Acquisition Time: Determines S/H acquisition time  
 For 12-bit + sign: (9 + 2D) clock cycles, For 8-bit + sign: (2 + 2D) clock cycles  
 D = Content of D15–D12, R<sub>S</sub> = Input source resistance  
 For 12-bit + sign: D = 0.45 × R<sub>S</sub>[kΩ] × f<sub>CLK</sub>[MHz]  
 For 8-bit + sign: D = 0.36 × R<sub>S</sub>[kΩ] × f<sub>CLK</sub>[MHz]

**PROGRAMMER'S NOTES:**

**Instruction # 0:** Address:                      Symbol:

Note:

D15	D14	D13	D12	D11	D10	D9	D8	D7	D6	D5	D4	D3	D2	D1	D0

Hexadecimal value:

**Instruction # 1:** Address:                      Symbol:

Note:

D15	D14	D13	D12	D11	D10	D9	D8	D7	D6	D5	D4	D3	D2	D1	D0

Hexadecimal value:

**Instruction # 2:** Address:                      Symbol:

Note:

D15	D14	D13	D12	D11	D10	D9	D8	D7	D6	D5	D4	D3	D2	D1	D0

Hexadecimal value:

**Instruction # 3:** Address:                      Symbol:

Note:

D15	D14	D13	D12	D11	D10	D9	D8	D7	D6	D5	D4	D3	D2	D1	D0

Hexadecimal value:

**APPENDIX A: Registers Bit Assignments and Programmer's Notes**

**INSTRUCTION RAM (Read/Write): (Continued)**

**PROGRAMMER'S NOTES:**

**Instruction # 4:** Address: \_\_\_\_\_ Symbol: \_\_\_\_\_  
Note:

D15	D14	D13	D12	D11	D10	D9	D8	D7	D6	D5	D4	D3	D2	D1	D0

Hexadecimal value: \_\_\_\_\_

**Instruction # 5:** Address: \_\_\_\_\_ Symbol: \_\_\_\_\_  
Note:

D15	D14	D13	D12	D11	D10	D9	D8	D7	D6	D5	D4	D3	D2	D1	D0

Hexadecimal value: \_\_\_\_\_

**Instruction # 6:** Address: \_\_\_\_\_ Symbol: \_\_\_\_\_  
Note:

D15	D14	D13	D12	D11	D10	D9	D8	D7	D6	D5	D4	D3	D2	D1	D0

Hexadecimal value: \_\_\_\_\_

**Instruction # 7:** Address: \_\_\_\_\_ Symbol: \_\_\_\_\_  
Note:

D15	D14	D13	D12	D11	D10	D9	D8	D7	D6	D5	D4	D3	D2	D1	D0

Hexadecimal value: \_\_\_\_\_

**APPENDIX A: Registers Bit Assignments and Programmer's Notes**

**INSTRUCTION RAM (Read/Write): (Continued)**

Limits # 1

D15	D14	D13	D12	D11	D10	D9	D8	D7	D6	D5	D4	D3	D2	D1	D0
Don't Care						>/<	Sign	Limit							

D7–D0: - Limit: 8-bit limit value

D8: - Sign: Sign bit for limit value, 0 = Positive, 1 = Negative

D9: - >/<: High or low limit determination, 0 = Inputs lower than limit generate interrupt, 1 = Inputs higher than limit generate interrupt

D15–D10 - Don't Care

**PROGRAMMER'S NOTES:**

**Instruction # 0, Limit # 1:** Address:                      Symbol:

Note:

D15	D14	D13	D12	D11	D10	D9	D8	D7	D6	D5	D4	D3	D2	D1	D0

Hexadecimal value:

**Instruction # 1, Limit # 1:** Address:                      Symbol:

Note:

D15	D14	D13	D12	D11	D10	D9	D8	D7	D6	D5	D4	D3	D2	D1	D0

Hexadecimal value:

**Instruction # 2, Limit # 1:** Address:                      Symbol:

Note:

D15	D14	D13	D12	D11	D10	D9	D8	D7	D6	D5	D4	D3	D2	D1	D0

Hexadecimal value:

**Instruction # 3, Limit # 1:** Address:                      Symbol:

Note:

D15	D14	D13	D12	D11	D10	D9	D8	D7	D6	D5	D4	D3	D2	D1	D0

Hexadecimal value:

**Instruction # 4, Limit # 1:** Address:                      Symbol:

Note:

D15	D14	D13	D12	D11	D10	D9	D8	D7	D6	D5	D4	D3	D2	D1	D0

Hexadecimal value:

**Instruction # 5, Limit # 1:** Address:                      Symbol:

Note:

D15	D14	D13	D12	D11	D10	D9	D8	D7	D6	D5	D4	D3	D2	D1	D0

Hexadecimal value:

**Instruction # 6, Limit # 1:** Address:                      Symbol:

Note:

D15	D14	D13	D12	D11	D10	D9	D8	D7	D6	D5	D4	D3	D2	D1	D0

Hexadecimal value:

**Instruction # 7, Limit # 1:** Address:                      Symbol:

Note:

D15	D14	D13	D12	D11	D10	D9	D8	D7	D6	D5	D4	D3	D2	D1	D0

Hexadecimal value:

**APPENDIX A**

**INSTRUCTION RAM (Read/Write): (Continued)**

Limits # 2

D15	D14	D13	D12	D11	D10	D9	D8	D7	D6	D5	D4	D3	D2	D1	D0
Don't Care							>/<	Sign	Limit						

D7–D0: - Limit: 8-bit limit value

D8: - Sign: Sign bit for limit value, 0 = Positive, 1 = Negative

D9: - >/<: High or low limit determination, 0 = Inputs lower than limit generate interrupt, 1 = Inputs higher than limit generate interrupt

D15–D10 - Don't Care

**PROGRAMMER'S NOTES:**

**Instruction # 0, Limit # 2:** Address:                      Symbol:

Note:

D15	D14	D13	D12	D11	D10	D9	D8	D7	D6	D5	D4	D3	D2	D1	D0

Hexadecimal value:

**Instruction # 1, Limit # 2:** Address:                      Symbol:

Note:

D15	D14	D13	D12	D11	D10	D9	D8	D7	D6	D5	D4	D3	D2	D1	D0

Hexadecimal value:

**Instruction # 2, Limit # 2:** Address:                      Symbol:

Note:

D15	D14	D13	D12	D11	D10	D9	D8	D7	D6	D5	D4	D3	D2	D1	D0

Hexadecimal value:

**Instruction # 3, Limit # 2:** Address:                      Symbol:

Note:

D15	D14	D13	D12	D11	D10	D9	D8	D7	D6	D5	D4	D3	D2	D1	D0

Hexadecimal value:

**Instruction # 4, Limit # 2:** Address:                      Symbol:

Note:

D15	D14	D13	D12	D11	D10	D9	D8	D7	D6	D5	D4	D3	D2	D1	D0

Hexadecimal value:

**Instruction # 5, Limit # 2:** Address:                      Symbol:

Note:

D15	D14	D13	D12	D11	D10	D9	D8	D7	D6	D5	D4	D3	D2	D1	D0

Hexadecimal value:

**Instruction # 6, Limit # 2:** Address:                      Symbol:

Note:

D15	D14	D13	D12	D11	D10	D9	D8	D7	D6	D5	D4	D3	D2	D1	D0

Hexadecimal value:

**Instruction # 7, Limit # 2:** Address:                      Symbol:

Note:

D15	D14	D13	D12	D11	D10	D9	D8	D7	D6	D5	D4	D3	D2	D1	D0

Hexadecimal value:

**APPENDIX A: Registers Bit Assignments and Programmer's Notes**

**INTERRUPT ENABLE REGISTER (Read/Write):**

D15	D14	D13	D12	D11	D10	D9	D8	D7	D6	D5	D4	D3	D2	D1	D0
Number of results in FIFO to Generate Interrupt (INT2)				Instruction Number to Generate Interrupt (INT1)				INT7	INT6	INT5	INT4	INT3	INT2	INT1	INT0

Bits # 0 to 7 enable interrupt generator for the following conditions when the bit is set to 1.

- D0: - INT0: Generates interrupt when a limit is passed in watchdog mode
- D1: - INT1: Generates interrupt when the programmed instruction (D10–D8) is reached for execution
- D2: - INT2: Generates interrupt when number of conversion results in FIFO is equal to the programmed value (D15–D11)
- D3: - INT3: Generates interrupt when an auto-zero cycle is completed
- D4: - INT4: Generates interrupt when a full calibration cycle is completed
- D5: - INT5: Generates interrupt when a pause condition is encountered
- D6: - INT6: Generates interrupt when low power supply is detected
- D7: - INT7: Generates interrupt when the chip is returned from standby and is ready
- D10–D8: - Programmable instruction number to generate an interrupt when that instruction is reached for execution
- D15–D11: - Programmable number of conversion results in the FIFO to generate an interrupt

**PROGRAMMER'S NOTES:**

**Interrupt Enable Register:** Address:                      Symbol:

Note:

D15	D14	D13	D12	D11	D10	D9	D8	D7	D6	D5	D4	D3	D2	D1	D0

Hexadecimal value:

**Interrupt Enable Register:** Address:                      Symbol:

Note:

D15	D14	D13	D12	D11	D10	D9	D8	D7	D6	D5	D4	D3	D2	D1	D0

Hexadecimal value:

**TIMER REGISTER (Read/Write):**

D15	D14	D13	D12	D11	D10	D9	D8	D7	D6	D5	D4	D3	D2	D1	D0
N = Timer Preset Value															

Timer delays the execution of an instruction if Timer bit is set in the instruction.

The time delay in number of clock cycles is:

$$\text{Delay} = 32 \times N + 2 \text{ [Clock Cycles]}$$

**PROGRAMMER'S NOTES:**

**Timer Register:** Address:                      Symbol:

Note:

D15	D14	D13	D12	D11	D10	D9	D8	D7	D6	D5	D4	D3	D2	D1	D0

Hexadecimal value:

**Timer Register:** Address:                      Symbol:

Note:

D15	D14	D13	D12	D11	D10	D9	D8	D7	D6	D5	D4	D3	D2	D1	D0

Hexadecimal value:

**APPENDIX A: Registers Bit Assignments and Programmer's Notes**

**FIFO REGISTER** (Read only):

D15	D14	D13	D12	D11	D10	D9	D8	D7	D6	D5	D4	D3	D2	D1	D0
Instruction Number or Extended Sign			Sign	Conversion Result											

D11–D0: - Conversion Result:

- For 12-bit + sign: 12-bit result value
- For 8-bit + sign: D11–D4 = result value, D3–D0 = 1110

D12: - Sign: Conversion result sign bit, 0 = Positive, 1 = Negative

D15–D13: - Instruction number associated with the conversion result or the extended sign bit for 2's complement arithmetic, selected by bit D5 (Chan Mask) of Configuration Register

**PROGRAMMER'S NOTES:**

**FIFO Register:** Address: \_\_\_\_\_ Symbol: \_\_\_\_\_  
Note: \_\_\_\_\_

**INTERRUPT STATUS REGISTER** (Read only):

D15	D14	D13	D12	D11	D10	D9	D8	D7	D6	D5	D4	D3	D2	D1	D0	
Number of results in FIFO				Instruction Number Being executed		INST7	INST6	INST5	INST4	INST3	INST2	INST1	INST0			

BITS # 0 to 7 are interrupt flags (vectors) that will be set to 1 when the following conditions occur. The bits set to 1 whether the interrupt is enabled or disabled in the Interrupt Enable register. The bits reset to 0 when the register is read, or by a device reset through Configuration register.

- D0: - INST0: Is set to 1 when a limit is passed in watchdog mode
- D1: - INST1: Is set to 1 when the programmed instruction (D10–D8) is reached for execution
- D2: - INST2: Is set to 1 when number of conversion results in FIFO is equal to the programmed value (D15–D11)
- D3: - INST3: Is set to 1 when an auto-zero cycle is completed
- D4: - INST4: Is set to 1 when a full calibration cycle is completed
- D5: - INST5: Is set to 1 when a pause condition is encountered
- D6: - INST6: Is set to 1 when low power supply is detected
- D7: - INST7: Is set to 1 when the chip is returned from standby and is ready
- D10–D8: - Holds the instruction number being executed or will be executed during a Pause or Timer delay
- D15–D11: - Holds the present number of conversion results in the FIFO while the device is running

**PROGRAMMER'S NOTES:**

**Interrupt Status Register:** Address: \_\_\_\_\_ Symbol: \_\_\_\_\_  
Note: \_\_\_\_\_

**APPENDIX A: Registers Bit Assignments and Programmer's Notes**

**LIMIT STATUS REGISTER (Read only):**

D15	D14	D13	D12	D11	D10	D9	D8	D7	D6	D5	D4	D3	D2	D1	D0
Limits # 2: Status								Limits # 1: Status							

The bits in this register are limit flags (vectors) that will be set to 1 when a limit is passed. The bits are associated to individual instruction limits as indicated below.

- D0: - Limit # 1 of Instruction # 0 is passed
- D1: - Limit # 1 of Instruction # 1 is passed
- D2: - Limit # 1 of Instruction # 2 is passed
- D3: - Limit # 1 of Instruction # 3 is passed
- D4: - Limit # 1 of Instruction # 4 is passed
- D5: - Limit # 1 of Instruction # 5 is passed
- D6: - Limit # 1 of Instruction # 6 is passed
- D7: - Limit # 1 of Instruction # 7 is passed
- D8: - Limit # 2 of Instruction # 0 is passed
- D9: - Limit # 2 of Instruction # 1 is passed
- D10: - Limit # 2 of Instruction # 2 is passed
- D11: - Limit # 2 of Instruction # 3 is passed
- D12: - Limit # 2 of Instruction # 4 is passed
- D13: - Limit # 2 of Instruction # 5 is passed
- D14: - Limit # 2 of Instruction # 6 is passed
- D15: - Limit # 2 of Instruction # 7 is passed

**PROGRAMMER'S NOTES:**

**Limit Status Register:** Address Symbol:  
 Note:

**LIFE SUPPORT POLICY**

NATIONAL'S PRODUCTS ARE NOT AUTHORIZED FOR USE AS CRITICAL COMPONENTS IN LIFE SUPPORT DEVICES OR SYSTEMS WITHOUT THE EXPRESS WRITTEN APPROVAL OF THE PRESIDENT OF NATIONAL SEMICONDUCTOR CORPORATION. As used herein:

1. Life support devices or systems are devices or systems which, (a) are intended for surgical implant into the body, or (b) support or sustain life, and whose failure to perform, when properly used in accordance with instructions for use provided in the labeling, can be reasonably expected to result in a significant injury to the user.
2. A critical component is any component of a life support device or system whose failure to perform can be reasonably expected to cause the failure of the life support device or system, or to affect its safety or effectiveness.



**National Semiconductor Corporation**  
 2900 Semiconductor Drive  
 P.O. Box 58090  
 Santa Clara, CA 95052-8090  
 Tel: (800) 272-9959  
 TWX: (910) 339-9240

**National Semiconductor GmbH**  
 Livny-Gargan-Str. 10  
 D-82256 Fürstenfeldbruck  
 Germany  
 Tel: (81-41) 35-0  
 Telex: 527849  
 Fax: (81-41) 35-1

**National Semiconductor Japan Ltd.**  
 Sumitomo Chemical  
 Engineering Center  
 Bldg. 7F  
 1-7-1, Nakase, Mihama-Ku  
 Chiba-City,  
 Ciba, Prefecture 261  
 Tel: (043) 299-2300  
 Fax: (043) 299-2500

**National Semiconductor Hong Kong Ltd.**  
 13th Floor, Straight Block,  
 Ocean Centre, 5 Canton Rd.  
 Tsimshatsui, Kowloon  
 Hong Kong  
 Tel: (852) 2737-1600  
 Fax: (852) 2736-9960

**National Semicondutores Do Brazil Ltda.**  
 Rue Deputado Lacorda Franco  
 120-3A  
 Sao Paulo-SP  
 Brazil 05418-000  
 Tel: (55-11) 212-5066  
 Telex: 391-1131931 NSBR BR  
 Fax: (55-11) 212-1181

**National Semiconductor (Australia) Pty. Ltd.**  
 Building 16  
 Business Park Drive  
 Monash Business Park  
 Nottingham, Melbourne  
 Victoria 3168 Australia  
 Tel: (3) 558-9999  
 Fax: (3) 558-9998

National does not assume any responsibility for use of any circuitry described, no circuit patent licenses are implied and National reserves the right at any time without notice to change said circuitry and specifications.

## IMPORTANT NOTICE

Texas Instruments Incorporated and its subsidiaries (TI) reserve the right to make corrections, modifications, enhancements, improvements, and other changes to its products and services at any time and to discontinue any product or service without notice. Customers should obtain the latest relevant information before placing orders and should verify that such information is current and complete. All products are sold subject to TI's terms and conditions of sale supplied at the time of order acknowledgment.

TI warrants performance of its hardware products to the specifications applicable at the time of sale in accordance with TI's standard warranty. Testing and other quality control techniques are used to the extent TI deems necessary to support this warranty. Except where mandated by government requirements, testing of all parameters of each product is not necessarily performed.

TI assumes no liability for applications assistance or customer product design. Customers are responsible for their products and applications using TI components. To minimize the risks associated with customer products and applications, customers should provide adequate design and operating safeguards.

TI does not warrant or represent that any license, either express or implied, is granted under any TI patent right, copyright, mask work right, or other TI intellectual property right relating to any combination, machine, or process in which TI products or services are used. Information published by TI regarding third-party products or services does not constitute a license from TI to use such products or services or a warranty or endorsement thereof. Use of such information may require a license from a third party under the patents or other intellectual property of the third party, or a license from TI under the patents or other intellectual property of TI.

Reproduction of TI information in TI data books or data sheets is permissible only if reproduction is without alteration and is accompanied by all associated warranties, conditions, limitations, and notices. Reproduction of this information with alteration is an unfair and deceptive business practice. TI is not responsible or liable for such altered documentation. Information of third parties may be subject to additional restrictions.

Resale of TI products or services with statements different from or beyond the parameters stated by TI for that product or service voids all express and any implied warranties for the associated TI product or service and is an unfair and deceptive business practice. TI is not responsible or liable for any such statements.

TI products are not authorized for use in safety-critical applications (such as life support) where a failure of the TI product would reasonably be expected to cause severe personal injury or death, unless officers of the parties have executed an agreement specifically governing such use. Buyers represent that they have all necessary expertise in the safety and regulatory ramifications of their applications, and acknowledge and agree that they are solely responsible for all legal, regulatory and safety-related requirements concerning their products and any use of TI products in such safety-critical applications, notwithstanding any applications-related information or support that may be provided by TI. Further, Buyers must fully indemnify TI and its representatives against any damages arising out of the use of TI products in such safety-critical applications.

TI products are neither designed nor intended for use in military/aerospace applications or environments unless the TI products are specifically designated by TI as military-grade or "enhanced plastic." Only products designated by TI as military-grade meet military specifications. Buyers acknowledge and agree that any such use of TI products which TI has not designated as military-grade is solely at the Buyer's risk, and that they are solely responsible for compliance with all legal and regulatory requirements in connection with such use.

TI products are neither designed nor intended for use in automotive applications or environments unless the specific TI products are designated by TI as compliant with ISO/TS 16949 requirements. Buyers acknowledge and agree that, if they use any non-designated products in automotive applications, TI will not be responsible for any failure to meet such requirements.

Following are URLs where you can obtain information on other Texas Instruments products and application solutions:

### Products

Audio	<a href="http://www.ti.com/audio">www.ti.com/audio</a>
Amplifiers	<a href="http://amplifier.ti.com">amplifier.ti.com</a>
Data Converters	<a href="http://dataconverter.ti.com">dataconverter.ti.com</a>
DLP® Products	<a href="http://www.dlp.com">www.dlp.com</a>
DSP	<a href="http://dsp.ti.com">dsp.ti.com</a>
Clocks and Timers	<a href="http://www.ti.com/clocks">www.ti.com/clocks</a>
Interface	<a href="http://interface.ti.com">interface.ti.com</a>
Logic	<a href="http://logic.ti.com">logic.ti.com</a>
Power Mgmt	<a href="http://power.ti.com">power.ti.com</a>
Microcontrollers	<a href="http://microcontroller.ti.com">microcontroller.ti.com</a>
RFID	<a href="http://www.ti-rfid.com">www.ti-rfid.com</a>
OMAP Mobile Processors	<a href="http://www.ti.com/omap">www.ti.com/omap</a>
Wireless Connectivity	<a href="http://www.ti.com/wirelessconnectivity">www.ti.com/wirelessconnectivity</a>

### Applications

Communications and Telecom	<a href="http://www.ti.com/communications">www.ti.com/communications</a>
Computers and Peripherals	<a href="http://www.ti.com/computers">www.ti.com/computers</a>
Consumer Electronics	<a href="http://www.ti.com/consumer-apps">www.ti.com/consumer-apps</a>
Energy and Lighting	<a href="http://www.ti.com/energy">www.ti.com/energy</a>
Industrial	<a href="http://www.ti.com/industrial">www.ti.com/industrial</a>
Medical	<a href="http://www.ti.com/medical">www.ti.com/medical</a>
Security	<a href="http://www.ti.com/security">www.ti.com/security</a>
Space, Avionics and Defense	<a href="http://www.ti.com/space-avionics-defense">www.ti.com/space-avionics-defense</a>
Transportation and Automotive	<a href="http://www.ti.com/automotive">www.ti.com/automotive</a>
Video and Imaging	<a href="http://www.ti.com/video">www.ti.com/video</a>

TI E2E Community Home Page

[e2e.ti.com](http://e2e.ti.com)

Mailing Address: Texas Instruments, Post Office Box 655303, Dallas, Texas 75265  
Copyright © 2011, Texas Instruments Incorporated