

LM4562,LME49710,LME49740

Application Note 1671 Gain and Linearity Testing for Precision Operational Amplifiers



Literature Number: SNAA047

Gain and Linearity Testing for Precision Operational Amplifiers

National Semiconductor
Application Note 1671
Robert A. Pease
May 21, 2008



Introduction

Many operational amplifiers are very linear — as a unity-gain inverter, they often have linearity in the range of 5 to 1 to 0.5 ppm. However, testing for gain linearity is not a standard or well-known test. Test procedures will be shown here, to permit any user to resolve the non-linearity errors.

Why Linearity?

It is possible to use op-amps for precision applications, even if they are not more linear than 5 ppm. Most people cannot hear an amplifier's distortion below 1 ppm, even if you cascade 10 of such stages. However, for precision instrumentation, or for high-fidelity audio, it is usually a good idea to select an op-amp with good linearity. Refer to AN-1485 which shows examples of good, moderate, and poor linearity. It shows Bipolar and also CMOS amplifiers. Contrary to many opinions, CMOS amplifiers with Drain-Loaded outputs do not necessarily have inferior linearity versus old bipolar-transistor amplifiers.

Linearity is often specified in dB below the signal level, (such as -110dB), or in percent (such as 0.0003%). However, most engineers are not familiar with nonlinearity below -120dB, so in this Linear Brief we will usually express the linearity in parts per million, (3 ppm or 0.3 ppm) compared to the output signal. Linearity is often measured at low frequencies, because the testing is easier there. Linearity can be measured for an in-

verter or for a follower. In concept, one could subtract the input from the output, and these deviations could be plotted as a function of V_{OUT} . However, it is nearly impossible to do this with full resolution. So a real-time subtraction technique is employed. Test results can be seen in just a few seconds.

Conversely, a Distortion Analyzer such as an Audio Precision System Two Cascade SYS-2522 could be used to provide a direct reading of the distortion. However, even this procedure has limitations, when the distortion gets down below 3 ppm.

Test Fixturing and Test Procedure

The circuit of *Figure 1* is a classic test fixture that has been used for over 40 years. R_{IN} and R_f are used to force the input voltage (typically 20 volts p-p) to cause an output voltage of 20 volts p-p, as observed on an oscilloscope. The signal source should have an offset adjust control, which the user adjusts so the output is actually swinging ± 10 volts with no offset. The V_{OS} of the op-amp is thus effectively trimmed out. Meanwhile the R_3 and R_4 are used to magnify the error voltage (V_ϵ) by a factor of ~ 1000 , the ratio of R_3 to R_4 . So if the amplifier's gain is 1 million, and its error voltage is $20\mu V_{p-p}$, the voltage at the oscilloscope's vertical input will be $20mV_{p-p}$. A good op-amp with a gain of 1 million can easily fulfill both gain requirements. This arrangement will avoid the need for a low-noise preamp, which is sure to add some extra noise. See *Figure 1*.

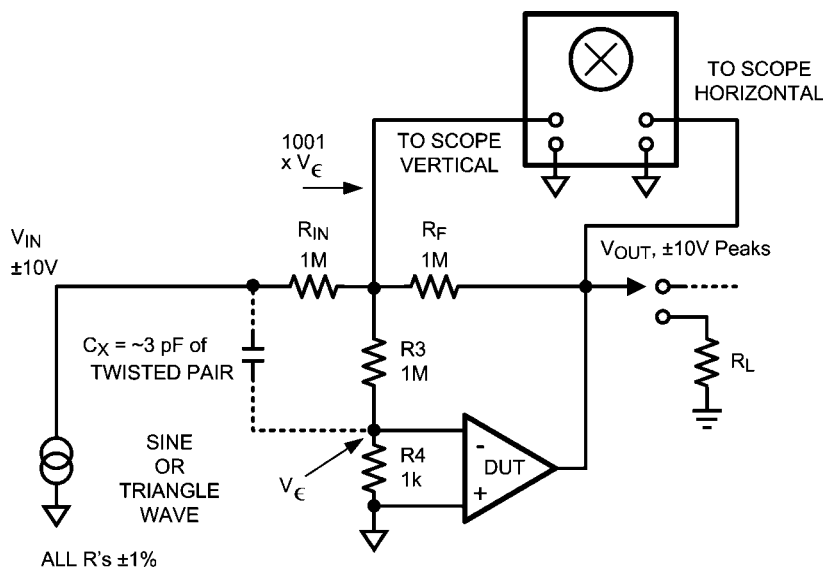


FIGURE 1. Gain Test
where $A_V = 1001 (V_{HORIZ. P-P} / V_{VERT. P-P})$

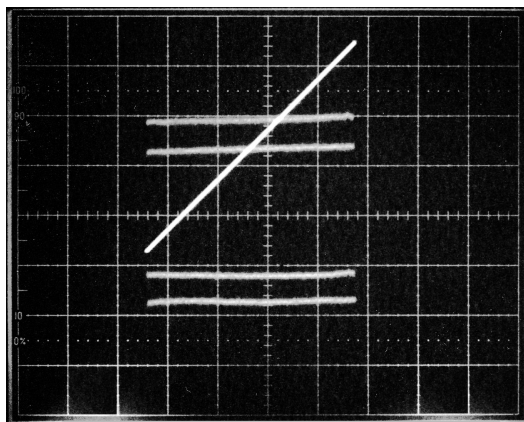
30027605

Crossplot Display

In concept you could look at the voltage "1000 V ϵ " with any kind of meter or scope. But to see the linear and non-linear components, it is best to use a scope in X-Y mode (Crossplot). Then any bumps or curves will correlate with the related level on the output swing. The slopes and bumps and curves can be resolved despite noise that is bigger than these signals!

The eye can correlate out errors like noise, and offset, and linear errors, to let you see the non-linear errors.

It is also advantageous for many tests, to use a triangle wave input, rather than a sine wave. For a more complete discussion of why triangle waves are superior, see AN-1485. A frequency around 3 to 30Hz is usually suitable for a fast amplifier. See *Figure 2*.



30027607

FIGURE 2. Test B10, LM4562 (also known as LME49720), F = 25Hz
 $V_S = \pm 15V_{DC}$; $V_{OUT} = \pm 10$ volts peak, $I_{OUT} = \pm 10mA$ peak
Upper Trace: Gain Error, No Load, $+1.5\mu V_{p,p}$ at $10\mu V/div$
Lower Trace: Gain Error, Full Load, $1.5\mu V_{p,p}$ at $10\mu V/div$

Audio Distortion

The LM4562 is a good fast 54MHz amplifier, (GBW Product). But at 1kHz with 20 volts p-p of output signal, the summing-point error ($V\epsilon$) will be as big as $\pm 118\mu V$. The signal at the vertical scope input will be $\pm 118mV$ peak, or 236mV p-p. When you turn down the scope's sensitivity to keep this signal on-scale, you cannot resolve $1\mu V$ any more - you can barely see $10\mu V$. So how can we see $1\mu V$ of error at 1kHz?

The solution is to connect a small amount of twisted pair, to be used as an adjustable capacitor, C_x , as shown in *Figure 1*. Use Teflon-insulated wire. When you wind (or un-wind) the twisted pair -- to cancel out most of the dynamic errors of the op-amp -- the signal becomes just a few mVp-p, and you can resolve the equivalent $1\mu V$ of nonlinearity, even in the presence of some noise. The amount of non-linearity on this amplifier seems to be down near 0.08 ppm, referred to input. That is about -159dB, referred to the 7-volt rms signal.

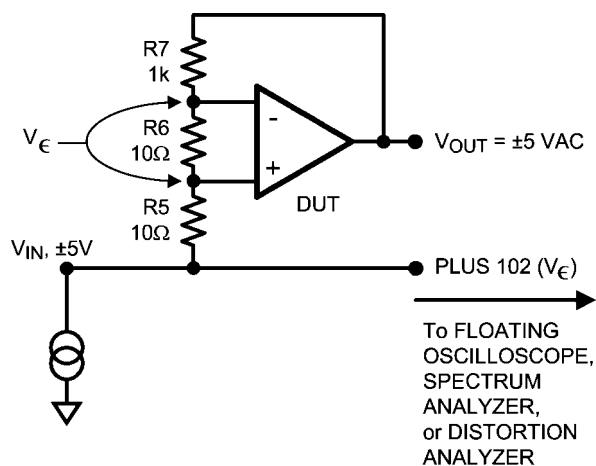
This circuit, using 1M, 1M, 1k, 1M is a little noisy - which is not a surprise, as the noise of a 1k resistor is larger than the noise of the LM4562. To get a better resolution of the distortion, you can use new, lower R values in place of the 1M/1M resistors. I just went in and slapped in a 20k across the 1 meg's, and 20 ohms across the 1k. I chose this scale factor because it was easy for me to add a 150pF variable air capacitor across the "3pF" capacitor. This worked very well. I could see some quadrature error, even with a triangle wave, and with a sine wave, I could see a small amount of distortion down below 0.08 ppm. This seems to be second harmonic, at 2kHz, at about -159db down. However, we have not yet given up on the possibility of further improvements.

Distortion as a Non-Inverting Amplifier (Unity-Gain Follower)

Some of the early tests on the LM4562 showed it could get down to 0.3 ppm of nonlinearity. This was true, because at voltages larger than 3 volts (rms) of input swing, non-linearity started to be degraded, due to imperfect (nonlinear) CMRR. This was when applied as a unity gain follower as in *Figure 3*. If you are using an amplifier as a unity-gain follower, the LM4562 does have some nonlinearity, but this can be improved. Write to request advice. But the circuit of *Figure 3* does provide so much gain (100) that you can see the signal, and the noise and the distortion. This gain is the ratio of $(R5 + R6 + R7)/R6$.

Analysis of Results

Figure 2 shows that the summing-point error has about $1/2\mu Vp-p$ of nonlinearity with a 1 Megohm load (upper trace.) With a 1k load (lower trace), it is closer to $1\mu Vp-p$ deviation from the best straight line. ($1mVp-p$ at the scope vertical input). The gain is therefore up near 10 million to 40 million, and the non-linearity is down near $1/20$ part per million, also. This is one of the better amplifiers we can test, the LM4562. Other amplifiers with comparable non-linearity are the LME49710 and LME49740. If amplifier's linearity is any better than $1/20$ ppm, the nonlinearity will be below the noise, and may require extreme techniques, such as adding a Spectrum Analyzer or Distortion Analyzer after the circuit of *Figure 1*.



**FIGURE 3. Test Circuit for Gain and Distortion of Amplifier at $G = +1$
(Including the nonlinearity of the CMRR)**

Conclusion

The LM4562 is one of the best linear amplifiers in the world. It has some of the lowest distortion of any op-amp or any linear amplifier in the world, better than 0.2 PPM from 0.01 to 2kHz. This measurement technique is running out of capabilities to see much lower than 1/10 ppm. But it can be used with a Spectrum Analyzer to resolve a little lower. Unlike other

amplifiers with good numbers and good plots, but which may not sound so great, the LM4562 also is said to "sound good", according to people who have good audio acuity (who have "good ears"). This is probably related to its good dynamic stability and clean slew rate. The electronic testing is consistent with these observations.

For more National Semiconductor product information and proven design tools, visit the following Web sites at:

Products		Design Support	
Amplifiers	www.national.com/amplifiers	WEBENCH	www.national.com/webench
Audio	www.national.com/audio	Analog University	www.national.com/AU
Clock Conditioners	www.national.com/timing	App Notes	www.national.com/appnotes
Data Converters	www.national.com/adc	Distributors	www.national.com/contacts
Displays	www.national.com/displays	Green Compliance	www.national.com/quality/green
Ethernet	www.national.com/ethernet	Packaging	www.national.com/packaging
Interface	www.national.com/interface	Quality and Reliability	www.national.com/quality
LVDS	www.national.com/lvds	Reference Designs	www.national.com/refdesigns
Power Management	www.national.com/power	Feedback	www.national.com/feedback
Switching Regulators	www.national.com/switchers		
LDOs	www.national.com/lido		
LED Lighting	www.national.com/led		
PowerWise	www.national.com/powerwise		
Serial Digital Interface (SDI)	www.national.com/sdi		
Temperature Sensors	www.national.com/tempsensors		
Wireless (PLL/VCO)	www.national.com/wireless		

THE CONTENTS OF THIS DOCUMENT ARE PROVIDED IN CONNECTION WITH NATIONAL SEMICONDUCTOR CORPORATION ("NATIONAL") PRODUCTS. NATIONAL MAKES NO REPRESENTATIONS OR WARRANTIES WITH RESPECT TO THE ACCURACY OR COMPLETENESS OF THE CONTENTS OF THIS PUBLICATION AND RESERVES THE RIGHT TO MAKE CHANGES TO SPECIFICATIONS AND PRODUCT DESCRIPTIONS AT ANY TIME WITHOUT NOTICE. NO LICENSE, WHETHER EXPRESS, IMPLIED, ARISING BY ESTOPPEL OR OTHERWISE, TO ANY INTELLECTUAL PROPERTY RIGHTS IS GRANTED BY THIS DOCUMENT.

TESTING AND OTHER QUALITY CONTROLS ARE USED TO THE EXTENT NATIONAL DEEMS NECESSARY TO SUPPORT NATIONAL'S PRODUCT WARRANTY. EXCEPT WHERE MANDATED BY GOVERNMENT REQUIREMENTS, TESTING OF ALL PARAMETERS OF EACH PRODUCT IS NOT NECESSARILY PERFORMED. NATIONAL ASSUMES NO LIABILITY FOR APPLICATIONS ASSISTANCE OR BUYER PRODUCT DESIGN. BUYERS ARE RESPONSIBLE FOR THEIR PRODUCTS AND APPLICATIONS USING NATIONAL COMPONENTS. PRIOR TO USING OR DISTRIBUTING ANY PRODUCTS THAT INCLUDE NATIONAL COMPONENTS, BUYERS SHOULD PROVIDE ADEQUATE DESIGN, TESTING AND OPERATING SAFEGUARDS.

EXCEPT AS PROVIDED IN NATIONAL'S TERMS AND CONDITIONS OF SALE FOR SUCH PRODUCTS, NATIONAL ASSUMES NO LIABILITY WHATSOEVER, AND NATIONAL DISCLAIMS ANY EXPRESS OR IMPLIED WARRANTY RELATING TO THE SALE AND/OR USE OF NATIONAL PRODUCTS INCLUDING LIABILITY OR WARRANTIES RELATING TO FITNESS FOR A PARTICULAR PURPOSE, MERCHANTABILITY, OR INFRINGEMENT OF ANY PATENT, COPYRIGHT OR OTHER INTELLECTUAL PROPERTY RIGHT.

LIFE SUPPORT POLICY

NATIONAL'S PRODUCTS ARE NOT AUTHORIZED FOR USE AS CRITICAL COMPONENTS IN LIFE SUPPORT DEVICES OR SYSTEMS WITHOUT THE EXPRESS PRIOR WRITTEN APPROVAL OF THE CHIEF EXECUTIVE OFFICER AND GENERAL COUNSEL OF NATIONAL SEMICONDUCTOR CORPORATION. As used herein:

Life support devices or systems are devices which (a) are intended for surgical implant into the body, or (b) support or sustain life and whose failure to perform when properly used in accordance with instructions for use provided in the labeling can be reasonably expected to result in a significant injury to the user. A critical component is any component in a life support device or system whose failure to perform can be reasonably expected to cause the failure of the life support device or system or to affect its safety or effectiveness.

National Semiconductor and the National Semiconductor logo are registered trademarks of National Semiconductor Corporation. All other brand or product names may be trademarks or registered trademarks of their respective holders.

Copyright© 2008 National Semiconductor Corporation

For the most current product information visit us at www.national.com



**National Semiconductor
Americas Technical
Support Center**
Email: support@nsc.com
Tel: 1-800-272-9959

**National Semiconductor Europe
Technical Support Center**
Email: europe.support@nsc.com
German Tel: +49 (0) 180 5010 771
English Tel: +44 (0) 870 850 4288

**National Semiconductor Asia
Pacific Technical Support Center**
Email: ap.support@nsc.com

**National Semiconductor Japan
Technical Support Center**
Email: jpn.feedback@nsc.com

IMPORTANT NOTICE

Texas Instruments Incorporated and its subsidiaries (TI) reserve the right to make corrections, modifications, enhancements, improvements, and other changes to its products and services at any time and to discontinue any product or service without notice. Customers should obtain the latest relevant information before placing orders and should verify that such information is current and complete. All products are sold subject to TI's terms and conditions of sale supplied at the time of order acknowledgment.

TI warrants performance of its hardware products to the specifications applicable at the time of sale in accordance with TI's standard warranty. Testing and other quality control techniques are used to the extent TI deems necessary to support this warranty. Except where mandated by government requirements, testing of all parameters of each product is not necessarily performed.

TI assumes no liability for applications assistance or customer product design. Customers are responsible for their products and applications using TI components. To minimize the risks associated with customer products and applications, customers should provide adequate design and operating safeguards.

TI does not warrant or represent that any license, either express or implied, is granted under any TI patent right, copyright, mask work right, or other TI intellectual property right relating to any combination, machine, or process in which TI products or services are used. Information published by TI regarding third-party products or services does not constitute a license from TI to use such products or services or a warranty or endorsement thereof. Use of such information may require a license from a third party under the patents or other intellectual property of the third party, or a license from TI under the patents or other intellectual property of TI.

Reproduction of TI information in TI data books or data sheets is permissible only if reproduction is without alteration and is accompanied by all associated warranties, conditions, limitations, and notices. Reproduction of this information with alteration is an unfair and deceptive business practice. TI is not responsible or liable for such altered documentation. Information of third parties may be subject to additional restrictions.

Resale of TI products or services with statements different from or beyond the parameters stated by TI for that product or service voids all express and any implied warranties for the associated TI product or service and is an unfair and deceptive business practice. TI is not responsible or liable for any such statements.

TI products are not authorized for use in safety-critical applications (such as life support) where a failure of the TI product would reasonably be expected to cause severe personal injury or death, unless officers of the parties have executed an agreement specifically governing such use. Buyers represent that they have all necessary expertise in the safety and regulatory ramifications of their applications, and acknowledge and agree that they are solely responsible for all legal, regulatory and safety-related requirements concerning their products and any use of TI products in such safety-critical applications, notwithstanding any applications-related information or support that may be provided by TI. Further, Buyers must fully indemnify TI and its representatives against any damages arising out of the use of TI products in such safety-critical applications.

TI products are neither designed nor intended for use in military/aerospace applications or environments unless the TI products are specifically designated by TI as military-grade or "enhanced plastic." Only products designated by TI as military-grade meet military specifications. Buyers acknowledge and agree that any such use of TI products which TI has not designated as military-grade is solely at the Buyer's risk, and that they are solely responsible for compliance with all legal and regulatory requirements in connection with such use.

TI products are neither designed nor intended for use in automotive applications or environments unless the specific TI products are designated by TI as compliant with ISO/TS 16949 requirements. Buyers acknowledge and agree that, if they use any non-designated products in automotive applications, TI will not be responsible for any failure to meet such requirements.

Following are URLs where you can obtain information on other Texas Instruments products and application solutions:

Products

Audio	www.ti.com/audio
Amplifiers	amplifier.ti.com
Data Converters	dataconverter.ti.com
DLP® Products	www.dlp.com
DSP	dsp.ti.com
Clocks and Timers	www.ti.com/clocks
Interface	interface.ti.com
Logic	logic.ti.com
Power Mgmt	power.ti.com
Microcontrollers	microcontroller.ti.com
RFID	www.ti-rfid.com
OMAP Mobile Processors	www.ti.com/omap
Wireless Connectivity	www.ti.com/wirelessconnectivity

Applications

Communications and Telecom	www.ti.com/communications
Computers and Peripherals	www.ti.com/computers
Consumer Electronics	www.ti.com/consumer-apps
Energy and Lighting	www.ti.com/energy
Industrial	www.ti.com/industrial
Medical	www.ti.com/medical
Security	www.ti.com/security
Space, Avionics and Defense	www.ti.com/space-avionics-defense
Transportation and Automotive	www.ti.com/automotive
Video and Imaging	www.ti.com/video

TI E2E Community Home Page

e2e.ti.com

Mailing Address: Texas Instruments, Post Office Box 655303, Dallas, Texas 75265
Copyright © 2011, Texas Instruments Incorporated