
AN-1798 Designing with Electro-Chemical Sensors

ABSTRACT

As early as 1950, electro-chemical sensors were used for oxygen (gas) monitoring; however, with increasing concerns about personal safety, the demand for portable electro-chemical sensors has dramatically increased. Today, electro-chemical sensors are commonly used in portable equipment to detect different toxic gases.

Contents

1	Introduction	2
2	Sensor Functionality	2
3	Potentiostatic Circuit	2
4	Amplifier Selection is Critical	3

List of Figures

1	Typical Electro-Chemical Sensor	2
2	Potentiostatic Circuit	3

1 Introduction

Electro-chemical sensors operate by reacting with monitored gas and producing an electrical current that is linearly proportional to the gas concentration. Older versions of electro-chemical sensors were based on a two-electrode configuration; however, to achieve superior electro-chemical stability, three-electrode systems are now used. The three electrodes are stacked parallel to each other, separated by a thin layer of electrolyte that provides ionic electrical contact between the electrodes.

2 Sensor Functionality

When a gas comes in contact with the sensor, it passes through a thin membrane barrier to reach the electrode surface. The first electrode that the gas comes in contact with is the working electrode (WE). The WE is designed to optimize the electro-chemical oxidation, (or reduction of the measured gas), and to generate a current flow that is proportional to the gas concentration.

The performance of the sensor deteriorates over time due to the continuous electro-chemical reaction of the changes in WE potential occurring on the electrode. To reduce deterioration while maintaining a constant sensitivity with a good linearity, a reference electrode (RE) is placed close to the WE. The reference electrode's purpose is to anchor the working electrode at the correct potential. In order for the RE to maintain a constant potential, no current should flow through it.

The third electrode, the counter electrode (CE), conducts current into or out of the sensor cell. When the WE oxidizes carbon monoxide, the counter electrode reduces other molecules, such as oxygen to generate current. This current exactly balances the current generated at the WE. The ionic current between the working electrodes and counter is transported by the electrolyte.

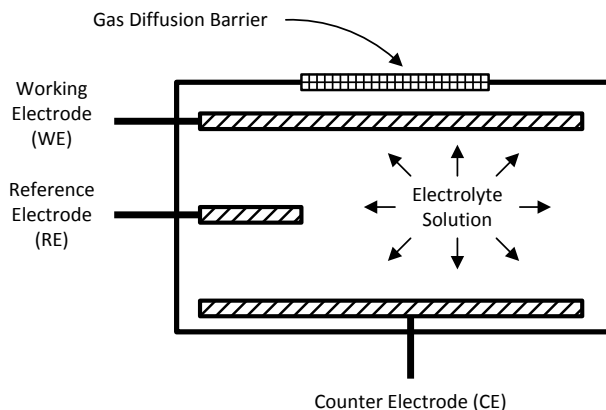


Figure 1. Typical Electro-Chemical Sensor

3 Potentiostatic Circuit

Electro-chemical sensors require control circuitry to operate. The control circuitry is referred to as the potentiostatic circuit. Figure 2 shows a simplified potentiostatic circuit that is comprised of two amplifiers and one JFET transistor. There are small variations in the implementation of this circuit, but the function and the outcome are the same.

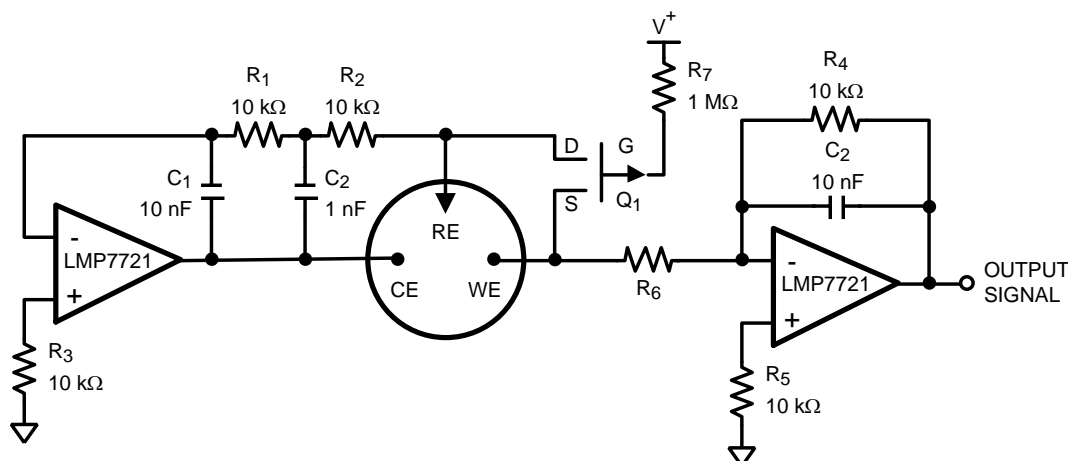


Figure 2. Potentiostatic Circuit

The potentiostatic circuit's main purpose is to maintain a voltage between the reference electrode and the working electrode to control the electro-chemical reaction and to deliver an output signal proportional to the WE current.

When the sensor is exposed to the target gas, such as carbon monoxide, the reaction at the WE oxidizes the carbon monoxide to become carbon dioxide, which diffuses out of the sensor. Hydrogen ions and electrons are generated. The hydrogen ions migrate through the electrolyte towards the counter electrode. This process leaves a negative charge deposited on the working electrode. The electrons flow out from the working electrode through resistor R6 to the inverting input of the amplifier (U2). The amplifier is configured as a transimpedance amplifier, which converts the signal current from the WE into a voltage proportional to the applied gas concentration.

$$\text{Output Voltage} = I_{\text{sensor}} R_4$$

For example, a 10 ppm carbon monoxide sample produces a typical signal current of approximately 500 nA, which gives an output voltage of 5 mV. The hydrogen ions that have migrated toward the counter electrode will lift the potential of the RE and the WE. This small rise in potential at the RE is measured by the control amplifier (U1). The amplifier will sink or source adequate current to the CE to balance the current required by the working electrode.

The P-type JFET is used as a switch to prevent the sensor from polarizing when the circuit has no power. If the sensor is polarized, it will take the sensor a long time to stabilize at equilibrium. The JFET is only active when the power is off and at this time it shorts the WE and RE to ensure that the working electrode is maintained at the same potential as the reference electrode.

4 Amplifier Selection is Critical

The performance of the potentiostatic circuit is greatly dependent on the electrical parameters of the amplifiers chosen. Designing a potentiostatic circuit using a high-bias current amplifier without precision specifications will impact the sensor sensitivity and increase sensor to sensor variation. A precision, ultra-low input bias current amplifier, such as TI's LMP7721, improves the potentiostatic circuit's performance, which allows the electro-chemical sensor to detect low-gas concentration with high accuracy.

The LMP7721 is designed with input bias cancellation circuitry to dramatically reduce the input bias current over the common mode voltage range to a typical of 2 fA at room temperature. Guaranteed specifications of 20 fA at room temperature and 900 fA at 85°C makes the LMP7721 the lowest temperature guaranteed bias current amplifier available.

In the potentiostatic circuit, the input bias current of the control amplifier (U1) is one of the critical specifications. The inverting input of U1 that is connected to RE, cannot draw any significant current from the reference electrode. The LMP7721 ultra-low input bias amplifier will assure that the reference electrode will maintain constant potential by having less than 2 fA of bias current.

In addition, gas sensors have large capacitance, so significant currents can flow for small potential shifts; therefore, the offset voltage and offset drift over temperature are critical. A precision amplifier such as the LMP7721 with a maximum input offset voltage of 180 μV , and temperature drift of 4 $\mu\text{V}/^\circ\text{C}$ will enable more accurate current measurements. An amplifier with larger offset adds to the bias voltage of the sensor's working electrode causing more error.

In conclusion, the majority of gas sensors are three-electrode electro-chemical cells that generate current that is linearly proportional to the gas concentration. The generated current is measured and converted to a voltage by the potentiostatic circuit. The potentiostatic circuit also provides the current to the counter electrode to balance the current required by the working electrode. The electrical specifications of the amplifiers used in the circuit should be precision with ultra-low bias current, such as TI's LMP7721 amplifier.

IMPORTANT NOTICE

Texas Instruments Incorporated and its subsidiaries (TI) reserve the right to make corrections, enhancements, improvements and other changes to its semiconductor products and services per JESD46, latest issue, and to discontinue any product or service per JESD48, latest issue. Buyers should obtain the latest relevant information before placing orders and should verify that such information is current and complete. All semiconductor products (also referred to herein as "components") are sold subject to TI's terms and conditions of sale supplied at the time of order acknowledgment.

TI warrants performance of its components to the specifications applicable at the time of sale, in accordance with the warranty in TI's terms and conditions of sale of semiconductor products. Testing and other quality control techniques are used to the extent TI deems necessary to support this warranty. Except where mandated by applicable law, testing of all parameters of each component is not necessarily performed.

TI assumes no liability for applications assistance or the design of Buyers' products. Buyers are responsible for their products and applications using TI components. To minimize the risks associated with Buyers' products and applications, Buyers should provide adequate design and operating safeguards.

TI does not warrant or represent that any license, either express or implied, is granted under any patent right, copyright, mask work right, or other intellectual property right relating to any combination, machine, or process in which TI components or services are used. Information published by TI regarding third-party products or services does not constitute a license to use such products or services or a warranty or endorsement thereof. Use of such information may require a license from a third party under the patents or other intellectual property of the third party, or a license from TI under the patents or other intellectual property of TI.

Reproduction of significant portions of TI information in TI data books or data sheets is permissible only if reproduction is without alteration and is accompanied by all associated warranties, conditions, limitations, and notices. TI is not responsible or liable for such altered documentation. Information of third parties may be subject to additional restrictions.

Resale of TI components or services with statements different from or beyond the parameters stated by TI for that component or service voids all express and any implied warranties for the associated TI component or service and is an unfair and deceptive business practice. TI is not responsible or liable for any such statements.

Buyer acknowledges and agrees that it is solely responsible for compliance with all legal, regulatory and safety-related requirements concerning its products, and any use of TI components in its applications, notwithstanding any applications-related information or support that may be provided by TI. Buyer represents and agrees that it has all the necessary expertise to create and implement safeguards which anticipate dangerous consequences of failures, monitor failures and their consequences, lessen the likelihood of failures that might cause harm and take appropriate remedial actions. Buyer will fully indemnify TI and its representatives against any damages arising out of the use of any TI components in safety-critical applications.

In some cases, TI components may be promoted specifically to facilitate safety-related applications. With such components, TI's goal is to help enable customers to design and create their own end-product solutions that meet applicable functional safety standards and requirements. Nonetheless, such components are subject to these terms.

No TI components are authorized for use in FDA Class III (or similar life-critical medical equipment) unless authorized officers of the parties have executed a special agreement specifically governing such use.

Only those TI components which TI has specifically designated as military grade or "enhanced plastic" are designed and intended for use in military/aerospace applications or environments. Buyer acknowledges and agrees that any military or aerospace use of TI components which have **not** been so designated is solely at the Buyer's risk, and that Buyer is solely responsible for compliance with all legal and regulatory requirements in connection with such use.

TI has specifically designated certain components as meeting ISO/TS16949 requirements, mainly for automotive use. In any case of use of non-designated products, TI will not be responsible for any failure to meet ISO/TS16949.

Products

Audio	www.ti.com/audio
Amplifiers	amplifier.ti.com
Data Converters	dataconverter.ti.com
DLP® Products	www.dlp.com
DSP	dsp.ti.com
Clocks and Timers	www.ti.com/clocks
Interface	interface.ti.com
Logic	logic.ti.com
Power Mgmt	power.ti.com
Microcontrollers	microcontroller.ti.com
RFID	www.ti-rfid.com
OMAP Applications Processors	www.ti.com/omap
Wireless Connectivity	www.ti.com/wirelessconnectivity

Applications

Automotive and Transportation	www.ti.com/automotive
Communications and Telecom	www.ti.com/communications
Computers and Peripherals	www.ti.com/computers
Consumer Electronics	www.ti.com/consumer-apps
Energy and Lighting	www.ti.com/energy
Industrial	www.ti.com/industrial
Medical	www.ti.com/medical
Security	www.ti.com/security
Space, Avionics and Defense	www.ti.com/space-avionics-defense
Video and Imaging	www.ti.com/video

TI E2E Community

e2e.ti.com