

AN-1251 Switched Capacitor Circuits Provide Efficient and Functional White LED Drive

ABSTRACT

Texas Instruments has many solutions for driving LEDs including switched capacitor converters and inductive based switching regulators. This application report describes some different switched capacitor methods of driving white LEDs and the benefits of each. The main areas of concern for most designers of portable equipment are efficiency, size, cost, functionality, and LED current matching. Balancing these competing demands will help designers make the right choice for his or her application.

Contents

| | | |
|---|--|---|
| 1 | Introduction | 2 |
| 2 | Switched Capacitor Voltage Regulator | 2 |
| 3 | Switched Capacitor Current Regulator | 3 |

List of Figures

| | | |
|---|--|---|
| 1 | Switched Capacitor Voltage Regulator | 2 |
| 2 | Switched Capacitor Current Regulator | 3 |
| 3 | Comparison of LM2792 and LM2794/5 Efficiency | 4 |

1 Introduction

Since the conception of cellular phones, PDAs, and handheld computers, there has been a continuing push for more useful and dynamic displays. One of the more drastic changes in miniature display technology has emerged due to the availability of Internet content, pictures, and videos on ever-shrinking personal devices. The promise of more content and functionality has caused a migration toward higher resolution color displays. This presents some added design issues, however, as a color LCD display requires white backlighting as opposed to the more standard green. The current options are using a cold cathode fluorescent lamp (CCFL), an electroluminescent backlight, or newer white LEDs. White LEDs are quickly becoming the light of choice because of their falling costs, longer life, and smaller size. The problem this presents is that the white LED has a high voltage drop (3.1V to 4.0V depending on manufacturer) as compared to the green LED with a voltage drop of 1.8V to 2.7V. Whereas the green LED can be powered directly from the commonly used Li-Ion battery, with a linear regulator, and a ballast resistor, the white LED used for backlight or frontlight purposes will require the battery voltage be boosted.

2 Switched Capacitor Voltage Regulator

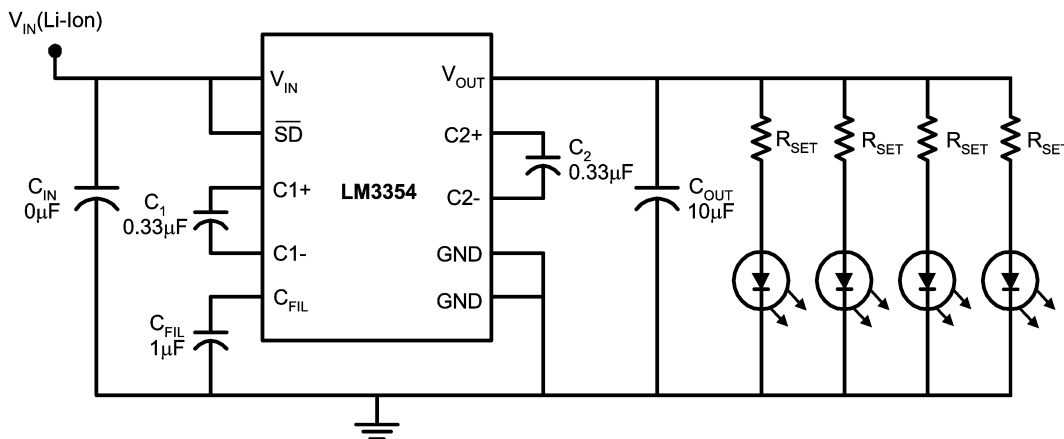


Figure 1. Switched Capacitor Voltage Regulator

This circuit is capable of supplying 90 mA at 4.1 V output (see the LM3355 for up to 50 mA output current). The number of LEDs that may be driven depends on the LED current desired in each. The current is set using the equation:

$$I_D = (4.1V - V_F)/R_{SET} \quad (1)$$

where V_F is the forward voltage drop of the LED chosen. As the LEDs are in parallel, the current matching is not perfect. The current matching will depend on the forward voltage drop of each LED and how well they match. This circuit is smaller than a switching regulator solution yet still maintains an average efficiency of about 70% (actual efficiency to LEDs, some power is dissipated by the ballast resistors) over the Li-Ion input voltage range. The brightness of the LEDs in this circuit may be controlled using a 60Hz to 200Hz PWM signal on the shutdown (SD) pin.

The switched capacitor voltage regulator approach is desirable for applications requiring 1 to 10 LEDs, high efficiency, brightness control functionality, lower cost and small solution size. However, this solution suffers from poor brightness matching due to varying LED currents.

3 Switched Capacitor Current Regulator

The second method presented here is a switched capacitor current regulator. Current regulation is achieved by using a switched capacitor boost circuit to drive a set of current sources. Figure 2 shows the LM2792 switched capacitor LED driver.

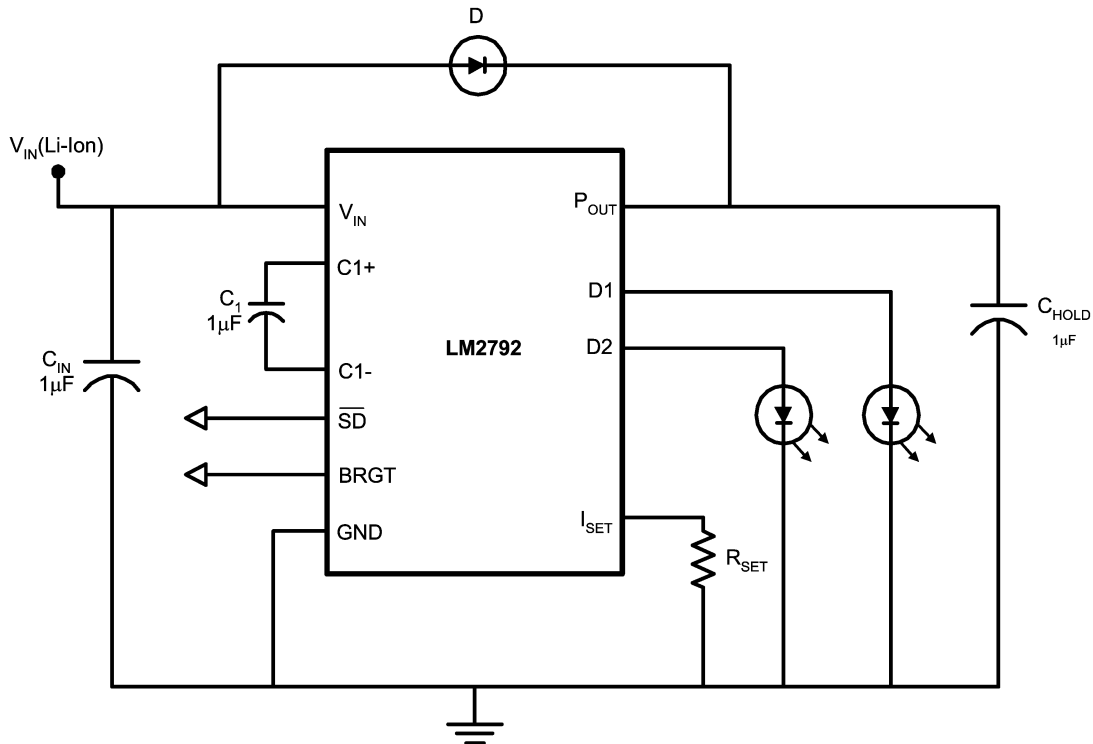


Figure 2. Switched Capacitor Current Regulator

This circuit uses a switched capacitor doubler (2X) circuit to power the current sources. It is capable of driving 1 to 2 LEDs at up to 32mA total (16mA each LED when using two). The current is set using the resistor RSET and the BRGT pin (refer to the device-specific data sheet for a description on setting the current using of the RSET and BRGT pin). Because current sources are used, the LED current matching is exceptional, within one percent. This circuit yields a smaller solution size than the voltage regulator and it provides more functionality, although at the cost of a significantly lower efficiency. The brightness can be controlled one of two ways. A PWM signal between 100Hz and 1 kHz can be used at the shutdown (SD) pin as in the previous two examples. An analog voltage can be applied to the BRGT pin as well. This provides the ability to control the brightness with much better linearity. The BRGT pin also allows a variety of lighting patterns and effects since a continuous analog waveform of any desired shape can be used for controlling LED brightness.

For driving up to 4 LEDs the LM2794 or LM2795 may be used. These circuits are similar to the LM2792 in that they have all the same functionality. The difference is that a three halves (3/2X) charge pump is used to power the current sources. This provides higher efficiency (see Figure 3) since the current sources will have a reduced voltage drop across the transistors. They are capable of supplying a total of 60mA for up to 4 LEDs. The LM2794 and LM2795 also do not require the diode D shown in the LM2792 schematic. The only other difference is that where the LM2792 requires some signal at the BRGT pin to set the LED current, the LM2794 and LM2795 LED currents can be set using only RSET if desired. LM2794 and LM2795 are identical except for the polarity of the shutdown pin, to make it easier for designers to incorporate these solutions into existing systems.

The switched capacitor current regulator approach is desirable for circuits requiring 1 to 4 LEDs, precise current matching, small solution size, lowest cost and the highest functionality and control.

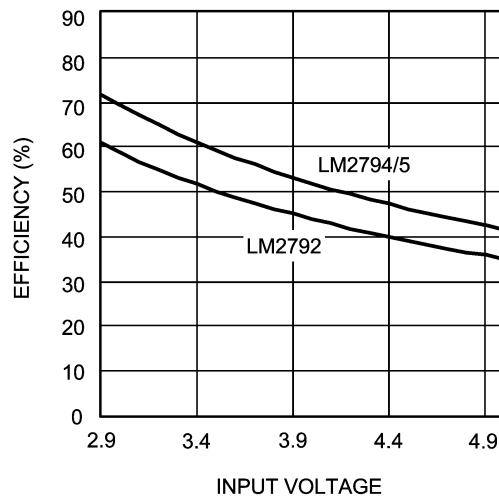


Figure 3. Comparison of LM2792 and LM2794/5 Efficiency

IMPORTANT NOTICE

Texas Instruments Incorporated and its subsidiaries (TI) reserve the right to make corrections, enhancements, improvements and other changes to its semiconductor products and services per JESD46, latest issue, and to discontinue any product or service per JESD48, latest issue. Buyers should obtain the latest relevant information before placing orders and should verify that such information is current and complete. All semiconductor products (also referred to herein as "components") are sold subject to TI's terms and conditions of sale supplied at the time of order acknowledgment.

TI warrants performance of its components to the specifications applicable at the time of sale, in accordance with the warranty in TI's terms and conditions of sale of semiconductor products. Testing and other quality control techniques are used to the extent TI deems necessary to support this warranty. Except where mandated by applicable law, testing of all parameters of each component is not necessarily performed.

TI assumes no liability for applications assistance or the design of Buyers' products. Buyers are responsible for their products and applications using TI components. To minimize the risks associated with Buyers' products and applications, Buyers should provide adequate design and operating safeguards.

TI does not warrant or represent that any license, either express or implied, is granted under any patent right, copyright, mask work right, or other intellectual property right relating to any combination, machine, or process in which TI components or services are used. Information published by TI regarding third-party products or services does not constitute a license to use such products or services or a warranty or endorsement thereof. Use of such information may require a license from a third party under the patents or other intellectual property of the third party, or a license from TI under the patents or other intellectual property of TI.

Reproduction of significant portions of TI information in TI data books or data sheets is permissible only if reproduction is without alteration and is accompanied by all associated warranties, conditions, limitations, and notices. TI is not responsible or liable for such altered documentation. Information of third parties may be subject to additional restrictions.

Resale of TI components or services with statements different from or beyond the parameters stated by TI for that component or service voids all express and any implied warranties for the associated TI component or service and is an unfair and deceptive business practice. TI is not responsible or liable for any such statements.

Buyer acknowledges and agrees that it is solely responsible for compliance with all legal, regulatory and safety-related requirements concerning its products, and any use of TI components in its applications, notwithstanding any applications-related information or support that may be provided by TI. Buyer represents and agrees that it has all the necessary expertise to create and implement safeguards which anticipate dangerous consequences of failures, monitor failures and their consequences, lessen the likelihood of failures that might cause harm and take appropriate remedial actions. Buyer will fully indemnify TI and its representatives against any damages arising out of the use of any TI components in safety-critical applications.

In some cases, TI components may be promoted specifically to facilitate safety-related applications. With such components, TI's goal is to help enable customers to design and create their own end-product solutions that meet applicable functional safety standards and requirements. Nonetheless, such components are subject to these terms.

No TI components are authorized for use in FDA Class III (or similar life-critical medical equipment) unless authorized officers of the parties have executed a special agreement specifically governing such use.

Only those TI components which TI has specifically designated as military grade or "enhanced plastic" are designed and intended for use in military/aerospace applications or environments. Buyer acknowledges and agrees that any military or aerospace use of TI components which have **not** been so designated is solely at the Buyer's risk, and that Buyer is solely responsible for compliance with all legal and regulatory requirements in connection with such use.

TI has specifically designated certain components as meeting ISO/TS16949 requirements, mainly for automotive use. In any case of use of non-designated products, TI will not be responsible for any failure to meet ISO/TS16949.

Products

| | |
|------------------------------|--|
| Audio | www.ti.com/audio |
| Amplifiers | amplifier.ti.com |
| Data Converters | dataconverter.ti.com |
| DLP® Products | www.dlp.com |
| DSP | dsp.ti.com |
| Clocks and Timers | www.ti.com/clocks |
| Interface | interface.ti.com |
| Logic | logic.ti.com |
| Power Mgmt | power.ti.com |
| Microcontrollers | microcontroller.ti.com |
| RFID | www.ti-rfid.com |
| OMAP Applications Processors | www.ti.com/omap |
| Wireless Connectivity | www.ti.com/wirelessconnectivity |

Applications

| | |
|-------------------------------|--|
| Automotive and Transportation | www.ti.com/automotive |
| Communications and Telecom | www.ti.com/communications |
| Computers and Peripherals | www.ti.com/computers |
| Consumer Electronics | www.ti.com/consumer-apps |
| Energy and Lighting | www.ti.com/energy |
| Industrial | www.ti.com/industrial |
| Medical | www.ti.com/medical |
| Security | www.ti.com/security |
| Space, Avionics and Defense | www.ti.com/space-avionics-defense |
| Video and Imaging | www.ti.com/video |

TI E2E Community

e2e.ti.com