

Interfacing an LCD Controller to a DM642 Video Port

Adit Sahasrabudhe
DSP Field Applications

ABSTRACT

There is an increasing demand to bring video and image processing capabilities to devices like video IP phones, cellular phones, and personal data assistants (PDAs). The images are brought to the user on liquid crystal displays that usually use thin film transistor (TFT) technology. These LCD devices require very specific timings and row/column formatting that can make them difficult to directly interface. For this reason, we recommend that you use an LCD controller. Most LCD controllers require little more input than raw RGB data. Some require horizontal and vertical sync signals, while others remove even that need. LCD controllers take care of any timing requirements and row/column formatting.

With their ability to output raw RGB data and horizontal/vertical sync signals, the DM642's video ports have the necessary functionality to seamlessly interface to TFT LCD controllers. Therefore, we have decided to show how to interface the DM642's video ports to an LCD controller, instead of directly to an LCD module. This application report details how to program the DM642's video ports to meet LCD controller requirements.

Specific examples will be provided using the **NEC S1L50282F23K100** LCD controller interfacing to the **NEC NL2432HC22-22A** LCD module. Hardware schematics and software driver collateral is also included. Project collateral discussed in this application report can be downloaded from the following URL: <http://www.ti.com/lit/zip/SPRA975>.

Contents

1	Introduction	2
2	Design Specifications	2
	2.1 DM642 Video Port	3
	2.2 NEC S1L50282F23K100	4
	2.2.1 Power-ON Sequencing	6
	2.3 Video Port to S1L50282F23K100 Interface Details	6
	2.3.1 Data Interface	6
	2.3.2 Control Interface	6
	2.4 Achieving Higher Resolutions	9
3	Video System Hardware Design Guidelines	9
4	Conclusion	10
5	References	10
	Appendix A S1L50282F23K100 Daughtercard Schematics for DM642 EVM	11

List of Figures

Figure 1. General System Architecture	3
---	---

Trademarks are the property of their respective owners.

Figure 2. LCD Controller and Module Power-ON Sequencing Requirement.....	6
Figure 3. Data Enable Signal Timing Requirements.....	7
Figure 4. Display Area with DE Signal.....	8
Figure A-1. Schematic Title Page.....	12
Figure A-2. Power Supply Design.....	13
Figure A-3. LCD Backlight Circuit.....	14
Figure A-4. DM642 EVM Daughter Card Connectors.....	15
Figure A-5. Video Port Clock.....	16
Figure A-6. S1L50282F23K100.....	17
Figure A-7. Power Supply Decoupling.....	18

List of Tables

Table 1. Video Port Signals.....	4
Table 2. NEC S1L50282F23K100 Input and Output Signal Descriptions.....	5
Table 3. DM642 Video Port to THS8200 Hardware Design Checklist.....	9

1 Introduction

This application report describes how to connect an LCD controller to a DM642 video port. The design consists of an NEC S1L50282F23K100 LCD controller. We also use an NEC NL2432HC22-22A LCD module that interfaces to the controller only, not the DM642. The S1L50282F23K100 has an 18-bit digital RGB interface which can provide a target resolution in landscape or portrait of 240x320 or 320x240, respectively. The NL2432HC22-22A is an amorphous silicon transfective TFT LCD display which supports 262,144 colors at a resolution of 320x240.

2 Design Specifications

The architecture used to interface the video port and the S1L50282F23K100 is shown in the diagram below. We have added the NL2432HC22-22A into the diagram as well for completeness.

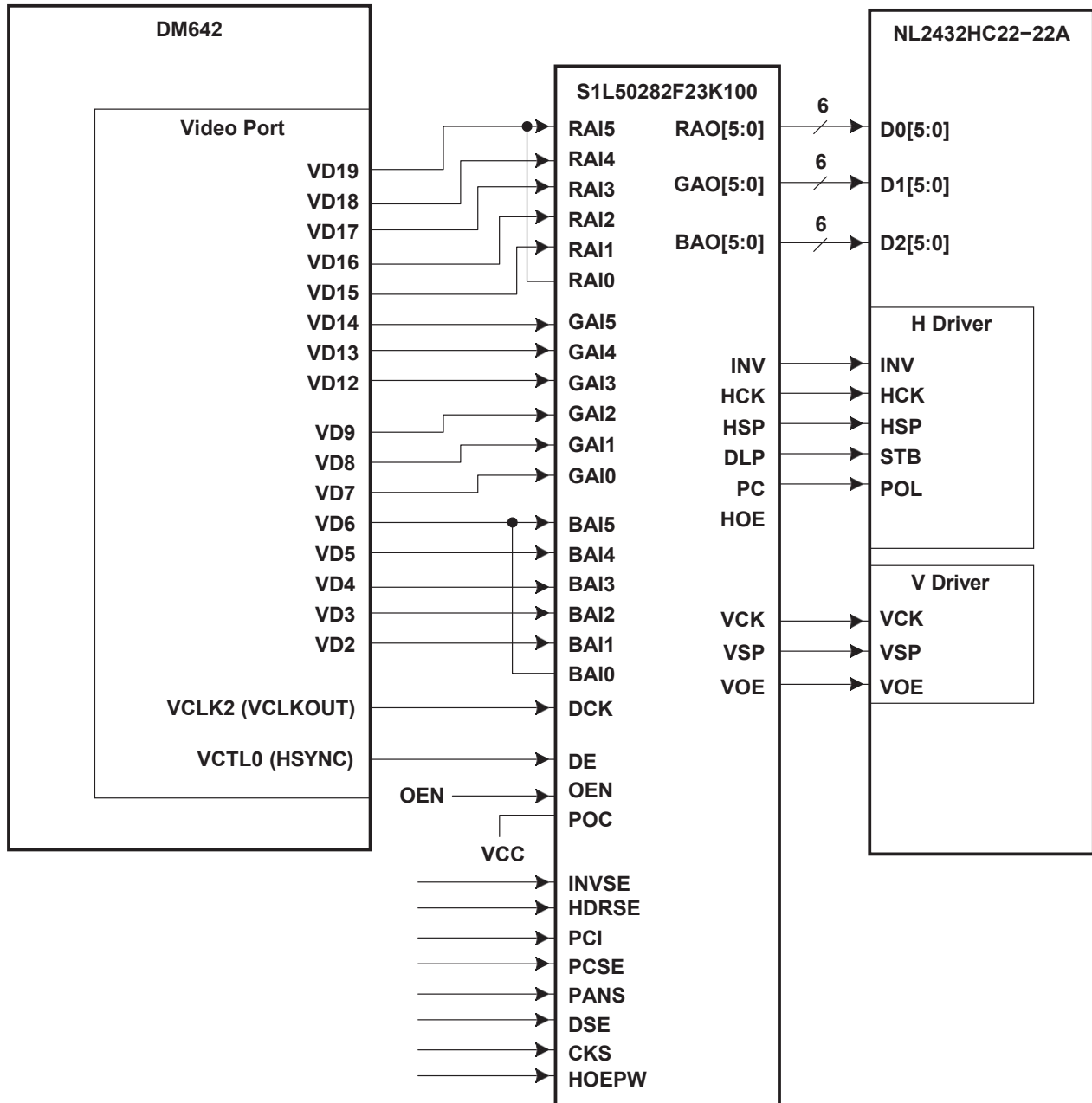


Figure 1. General System Architecture

2.1 DM642 Video Port

The video port peripheral is an 8/10/16/20-bit parallel video capture or video display interface. Each video port has a channel A and channel B. Either both channels must be inputs or both must be outputs. When configured for 8/10-bit BT.656 mode, the capture can input two separate channels on A and B. The channels can be used together to create a single 16/20-bit input/output. For example, the A display port can be used to output 16/20-bit raw RGB data. It is this raw data output capability which we are going to take advantage of in this application report.

In addition to being able to receive and transmit a variety of data formats, the video port peripheral has a separate clock for each channel and can supply a range of control signals like active video, horizontal and vertical sync, and composite sync, to name a few.

For more information on control signals, supported standards, and general video port operation, please see the *TMS320C64x DSP Video Port/VCXO Interpolated Control (VIC) Port Reference Guide* (SPRU629).

Table 1. Video Port Signals

Signal Name	Description
VD[19:12]	Upper bits of Video Data Out
VD[9:2]	Lower bits of Video Data Out
VCLK2 (VCLKOUT)	Video Port output clock
VCTL0 (AVID)	Active Video

NOTE: This is only a list of video port pins used in this design. For a complete listing, please see SPRU629. Also, VD[11:10, 1:0] are only used in 10/20-bit mode. They allow for fractional values used in BT.656 operation. When in 8/16-bit mode, they are ignored.

2.2 NEC S1L50282F23K100

The NEC S1L50282F23K100 is an LCD controller used to interface to QVGA/HVGA LCD modules. This controller, like other LCD controllers, is used to drive the horizontal and vertical gates on an LCD module, adjusting the row/column formatting as is necessary. While doing this, it is also used to control the distinct timing required between data and control signals. The input and output data format is 6-bit x 3 (RGB) parallel.

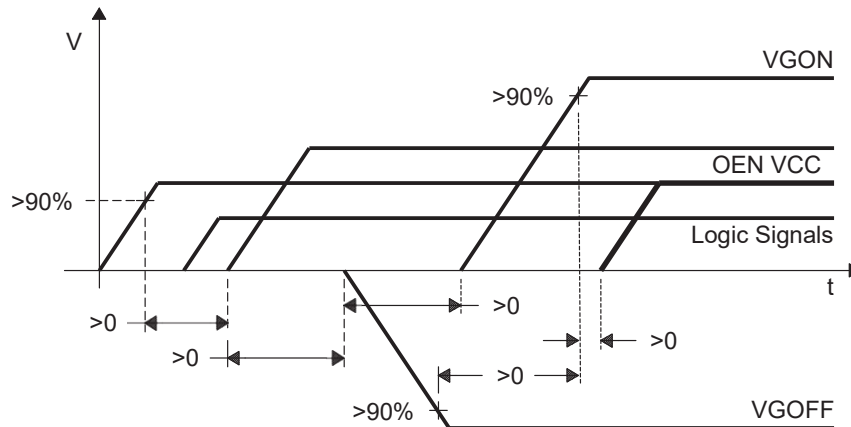
This particular controller was used because of the low number of input signals required for operation. The input and output signals are described in Table 2.

Table 2. NEC S1L50282F23K100 Input and Output Signal Descriptions

Signal Name	I/O	Description
RAI[5:0]	I	6-bit red value, 2.5MHz
GAI[5:0]	I	6-bit green value, 2.5MHz
BAI[5:0]	I	6-bit blue value, 2.5MHz
DCK	I	Clock, 5MHz
DE	I	Data Enable, 18.75kHz – Used to signify when data is enabled for every horizontal line
OEN	I	Output Enable, DC – Enable the horizontal and vertical gate driver output
POC	I	Power on Clear – Enables or disables device reset (0: reset; 1: reset off)
RAO[5:0]	O	6-bit red value
GAO[5:0]	O	6-bit green value
BAO[5:0]	O	6-bit blue value
INV	O	Output data inversion signal, 2.5MHz – Allows you to invert the data going to the LCD module
HCK	O	Clock for horizontal gate driver
HSP	O	Horizontal driver start pulse
DLP	O	Horizontal driver latch pulse
PC	O	Polarity Change
HOE	O	Source-driver output enable
VCK	O	Vertical driver clock
VSP	O	Vertical driver start pulse
VOE	O	Vertical driver output enable
INVSE	I	Not used here, please see the product data sheet.
HDRES	I	Not used here, please see the product data sheet.
PCI	I	Not used here, please see the product data sheet.
PCSE	I	Not used here, please see the product data sheet.
PANS	I	Not used here, please see the product data sheet.
DSE	I	Not used here, please see the product data sheet.
CKS	I	Not used here, please see the product data sheet.
HOEPW	I	Not used here, please see the product data sheet.

2.2.1 Power-ON Sequencing

The following supply voltage timings should be met for the LCD controller and module. Their voltages are interdependent; therefore, the signals below are specific to either the controller or the module. See Figure 2 to find out which signal applies to which part.



Signal	Value	Description- Module
VGON	+15 V	V driver (+) supply voltage - Module
VGOFF	-15 V	V driver (-) supply voltage - Module
VDD	+4.5 V	H driver supply voltage - Module
VCC	+3.0 V	Logic supply voltage - Controller and Module
OEN	+3.0 V	Output enable signal - Controller

Figure 2. LCD Controller and Module Power-ON Sequencing Requirement

2.3 Video Port to S1L50282F23K100 Interface Details

We will now address some of the details involving the output signals from the DM642 video port to the input of the S1L50282F23K100.

2.3.1 Data Interface

The S1L50282F23K100 requires a 18-bit input (R:G:B → 6:6:6). TI has developed Y:Cr:Cb to RGB conversion algorithms; however, these algorithms convert to a 16-bit, 5:6:5 RGB format. To lessen the amount of software development for algorithm modification, appropriate bit-packing, etc., we decided to use the existing RGB conversion algorithm. To accommodate the difference in data widths, we tie together the most and least significant bits on the R and B data lines, as is shown in Figure 1. This is a commonly used scheme in systems where you need to convert a 16-bit output to 18-bits.

2.3.2 Control Interface

DCK:

The *DCK* input is used to specify the clock for the controller.

DCK Implementation

The video port can generate a clock signal on its VCLK2 pin. We use this signal to provide the controller a 5MHz clock.

DE:

The *DE* signal is used to generate an internal horizontal and vertical sync. This sort of scheme is referred to as virtual timing. It does not require the CPU to provide timing information to the LCD Controller; but only to provide an active data signal with a few timing constraints. These constraints are defined in Figure 3.

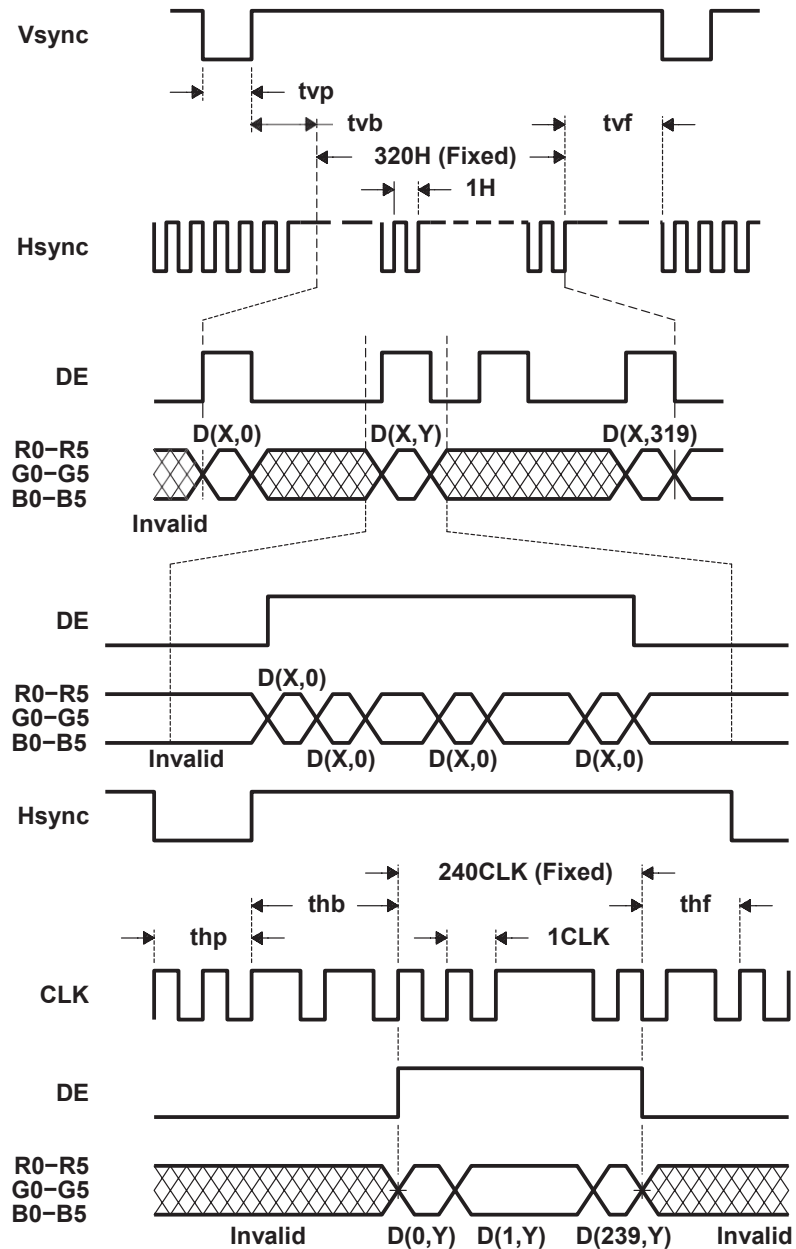


Figure 3. Data Enable Signal Timing Requirements

The above series of timing diagrams can be summarized using the following picture:

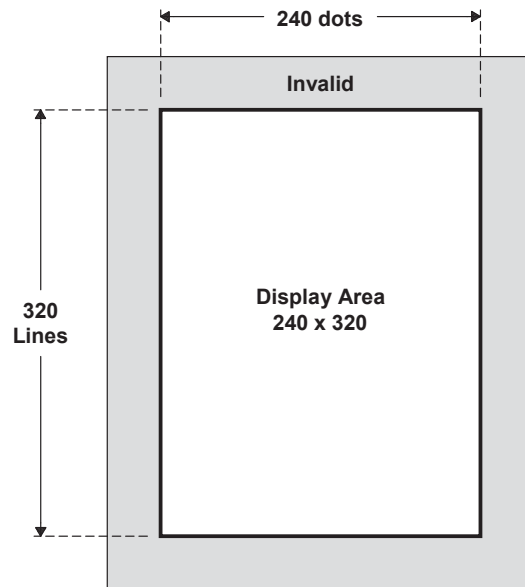


Figure 4. Display Area with DE Signal

While the data for the display area is being outputted, the data enable (DE) signal should be high.

DE Implementation

The DM642 video ports can output an active video control signal on pin VCTL0. This signal is high while the video port is outputting data for the current frame. This corresponds exactly to the definition of what the DE signal should be as described above.

OEN:

The OEN input is used to enable the output of the horizontal and vertical gate drivers to the LCD module. In our design, we want the output to be enabled at all times, so we simply tie this signal high.

OEN Implementation

There is one consideration with this signal and that is its timing requirement with the rest of the power supply voltages. The *OEN* signal needs to be the last driven voltage in a sequence. The idea behind this is that you want the LCD module to be up and running before the controller starts sending it data. To achieve this, you use the *TPS3801-01*. The design can be seen in Appendix A.

POC:

The *POC* input specifies device reset.

POC Implementation:

For our purposes, the device will come out of reset on power up, but it will always be ready subsequently; therefore, we also tie this signal high.

2.4 Achieving Higher Resolutions

The DM642 video ports have the ability to interface to much higher resolution LCDs like SVGA (800 x 600) and XGA (1024 x 768). This is done simply by changing the values in the video port display registers to reflect a larger viewing area and appropriately modified SYNC and blanking intervals. It should be noted however, that with this particular NEC LCD controller, the highest achievable resolution is HVGA (640 x 240). To achieve the higher resolutions on larger LCD modules, you would need a different LCD timing controller. In fact for the larger LCD modules, the timing controller is usually built into the device; therefore, the DM642 video port would interface directly to the LCD module.

3 Video System Hardware Design Guidelines

To achieve good performance within the video system, some general guidelines have been listed below. These guidelines are given in a checklist format for ease of implementation. These techniques provide a starting point for creating a low-noise video system. Signal integrity analysis should be done using IBIS modeling in order to help obtain optimum signal integrity and performance.

Table 3. DM642 Video Port to THS8200 Hardware Design Checklist

Completed	Description
	Power Supplies
<input type="checkbox"/>	Analog and digital power supplies should be separated.
<input type="checkbox"/>	The power supplies should have a high power supply rejection ratio (PSRR).
<input type="checkbox"/>	Multiple connections between the separate ground planes generate current loops, which must be avoided.
	Decoupling/Bypass Capacitance
<input type="checkbox"/>	Multiple decoupling capacitors should be located as close as possible to all digital ICs, especially the video DAC and DSP.
<input type="checkbox"/>	As many 0.1- μ F capacitors with low ESL/ESR should be placed near the ICs as feasible.
<input type="checkbox"/>	Bulk capacitors, on the order of 10- μ F, should also be used to help filter power supply fluctuations.
	Signal Integrity
<input type="checkbox"/>	Serial termination may be necessary on all data busses, address busses, and/or control/clock signals. Longer traces (>1.5 in.) generally require serial termination. Shorter traces may not require termination, but
<input type="checkbox"/>	IBIS analysis can provide insight as to proper sizing and placement of termination resistors.
<input type="checkbox"/>	High speed interfaces should be kept within a reasonable length. Buses and control signals should not vary greatly in length.
<input type="checkbox"/>	Clock lines have proper termination and do not branch off several times on a given net.

4 Conclusion

This application report demonstrates a glueless interface between a DM642 video port and an LCD controller. The proper selection of LCD module will allow a glueless interface from the controller to the module, as well. This design and the schematics in Appendix A have been tested with hardware and attached software. It should be noted that this design is very specific to the chosen NEC LCD controller and module. While the control signals required for most modules will allow for DM642 video ports to be a glueless interface, so modules might require a particular combination of control signals that could make the connection more difficult. A future application report will contain a working example application with software.

5 References

1. *TMS320DM642 Data Manual* (SPRS200)
2. *TMS320C64x DSP Video Port/VCXO Interpolated Control (VIC) Port Reference Guide* (SPRU629)
3. *LCD Controller Type: S1L50282F23K100* (DOD-N-0195)
4. *TFT Color LCD Module Type: NL2432HC22-22A* (DOD-PD-0073)
5. *TPS2034 Power-Distribution Switch* (SLVS190)
6. *Low Power DC/DC Boost Converter* (SLVS413)
7. *Constant Current LED Driver* (SLVS441)
8. *TPS77601, Fast-Transient-Response 500-mA LDO Voltage Regulator* (SLVS232)

Appendix A S1L50282F23K100 Daughtercard Schematics for DM642 EVM

Appendix A contains preliminary schematics for the S1L50282F23K100 LCD Controller daughtercard for the DM642EVM. These schematics have yet to be tested, and they should only be used as an example of how to interface a DM642 video port to an LCD controller. While we have chosen the S1L50282F23K100 in our design, the general scheme is applicable to a variety of devices.

The schematics are also included in PDF format within the attached .zip file.



S1L50282F23K100 LCD Controller Daughter Card for the DM642 Evaluation Module

Table of Contents

- 1) Title, Contents, Revision History, and Notes
- 2) Power Supply
- 3) LCD Backlight Circuit
- 4) DM642 EVM Daughter Card Connectors
- 5) Video Port Clock
- 6) Video Port to S1L50282F23K100 LCD Controller
- 7) Power Supply Decoupling

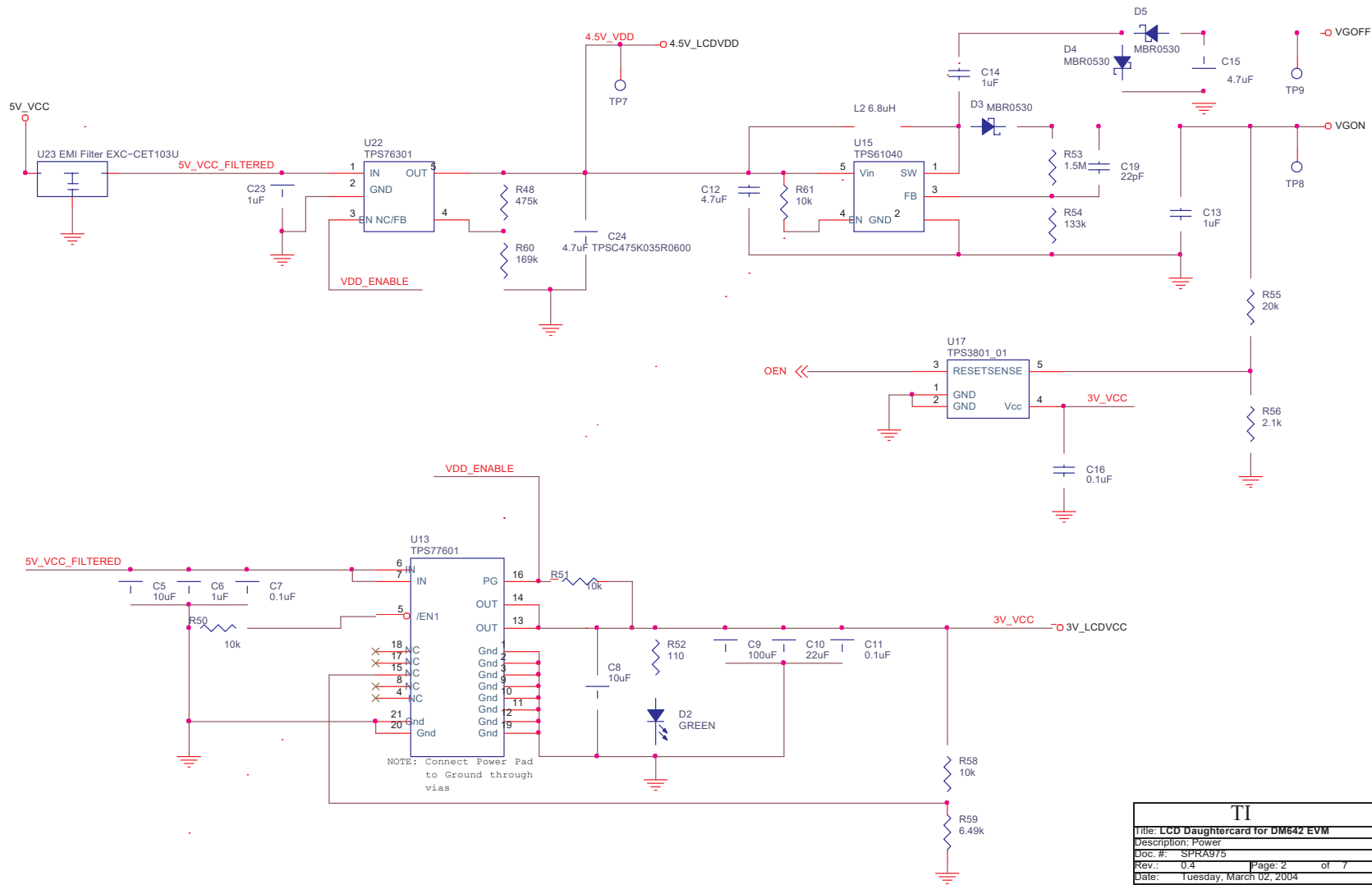
Notes:

- 1) RESISTANCE VALUES ARE IN OHMS
- 2) CAPACITANCE VALUES ARE IN MICROFARADS
- 3) BOARD PROPERTIES
 - A. ROUTE TO WITHIN 10% OF MANHATTAN DISTANCE PARTS SHALL NOT USE THERMAL RELIEFS
 - B. 50 OHM MATCHED IMPEDANCE FOR DIGITAL LINES. 75 OHM MATCHED IMPEDANCE FOR ANALOG LINES
 - C. OUTER LAYERS 0.5 OZ CU & 0.5 OZ AU PLATING
 - D. INNER LAYERS 1.0 OZ CU
 - E. FR4 BOARD MATERIAL
 - F. MINIMUM TRACE WIDTH/SPACING 4 MILS
 - G. MINIMUM VIA SIZE 10/19 MILS
 - H. APPROXIMATE BOARD SIZE 5.125 x 3.125 INCHES
 - I. U13 HAS A PowerPAD THAT IS CONNECTED THROUGH PIN 21
 - J. THERMAL RELIEFS SHOULD NOT BE USED

Revision History			
Rev.#	Description	Date	Approved
0.1	Preliminary Schematics Completed	10/20/2003	AAS
0.2	Changed R57 Value, Added R61 and R62, Deleted L1	11/25/2003	AAS
0.3	Assigned part numbers to diodes in power supply design.	12/01/2003	AAS
0.4	Switched labeling of pins 4 and 5 on TPS76301, connected pin 2 on TPS61040 to ground, changed C15 to be a polar Cap.	02/27/2004	AAS

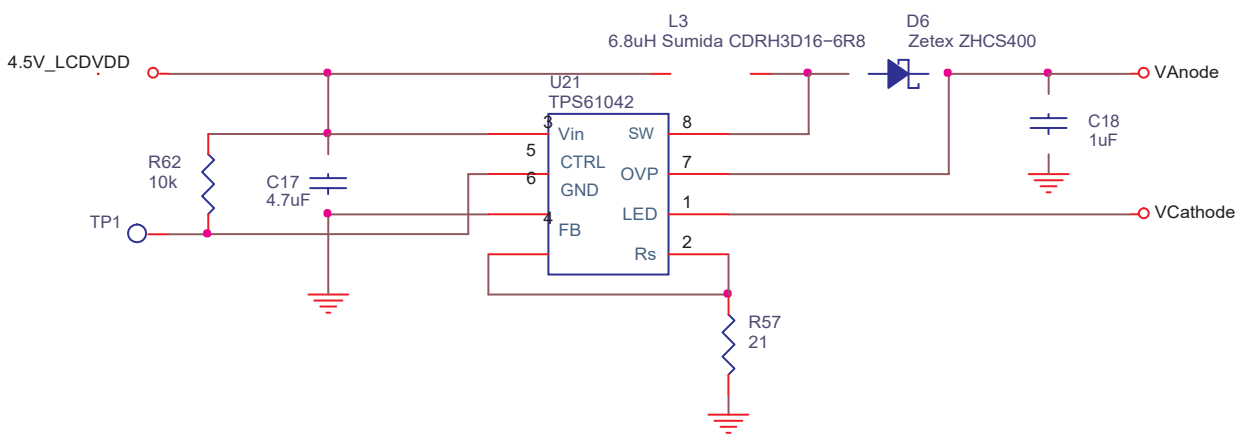
TI	
Title: LCD Daughtercard for DM642 EVM	
Description: Title	
Doc #: SPRAY/5	
Rev.: 0.4	Page: 1 of 7
Date: Tuesday, April 20, 2004	

Figure A-1. Schematic Title Page



TI	
Title: LCD Daughtercard for DM642 EVM	
Description: Power	
Doc. #: SPR4975	
Rev.: 0.4	Page: 2 of 7
Date: Tuesday, March 02, 2004	

Figure A-2. Power Supply Design



TI	
Title: LCD Daughtercard for DM642 EVM	
Description: Backlight	
Doc. #: SPRA975	
Rev.: 0.4	Page: 3 of 7
Date: Tuesday, March 02, 2004	

Figure A-3. LCD Backlight Circuit

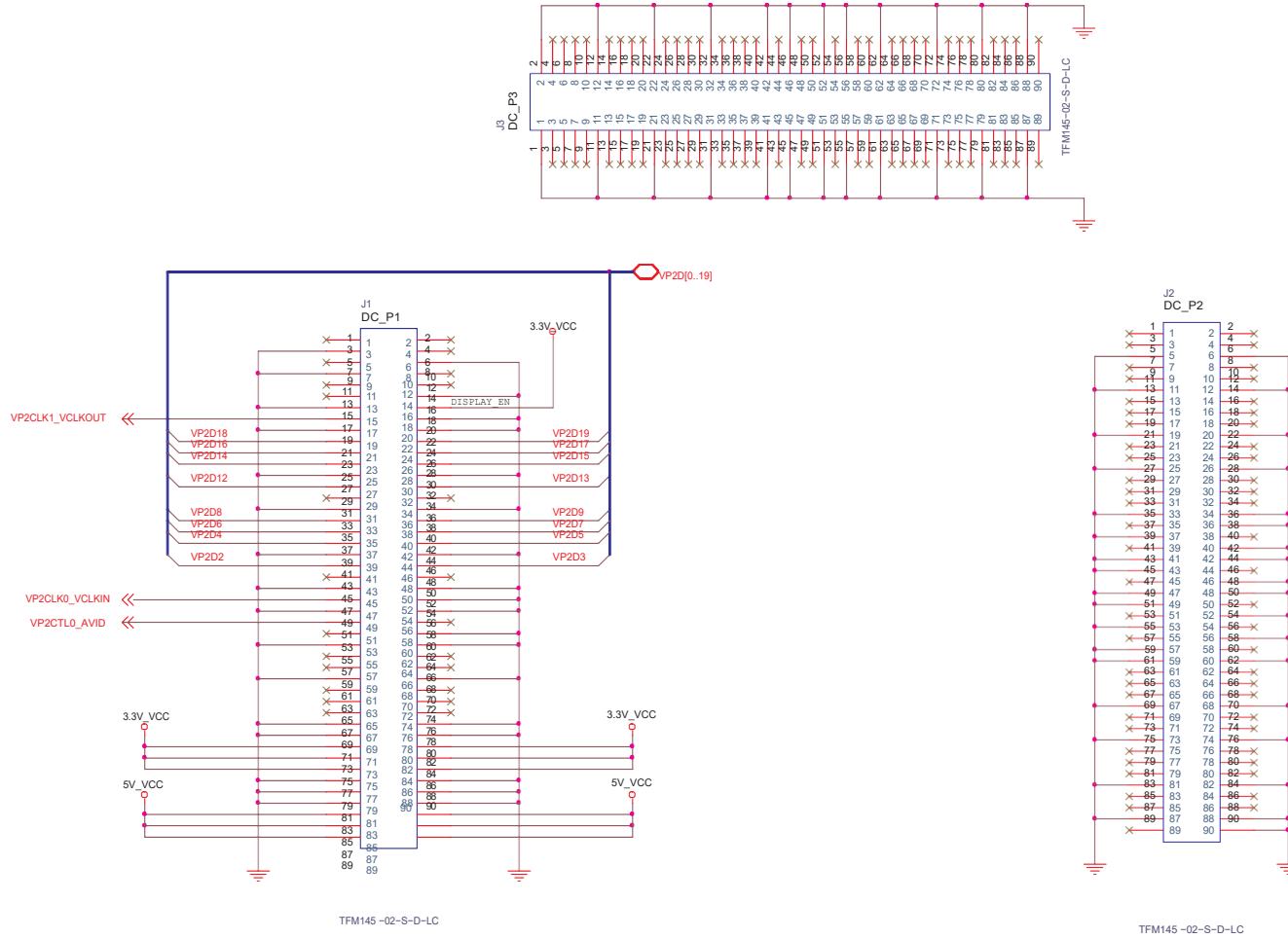
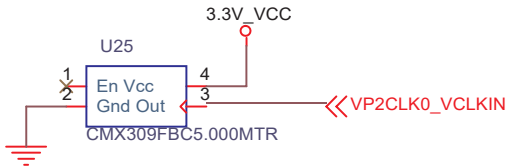


Figure A-4. DM642 EVM Daughter Card Connectors

TI	
Title: LCD Daughtercard for DM642 EVM	
Description: DM642 EVM Daughtercard Connector	
Doc# : SPR990X	
Rev.: 0.4	Page: 4 of 7
Date: Friday, April 23, 2004	



TI	
Title: LCD Daughtercard for DM642 EVM	
Description: Video Port 2 Clock	
Doc. #: SPRA975	
Rev.: 0.4	Page: 5 of 7
Date: Tuesday, March 16, 2004	

Figure A-5. Video Port Clock

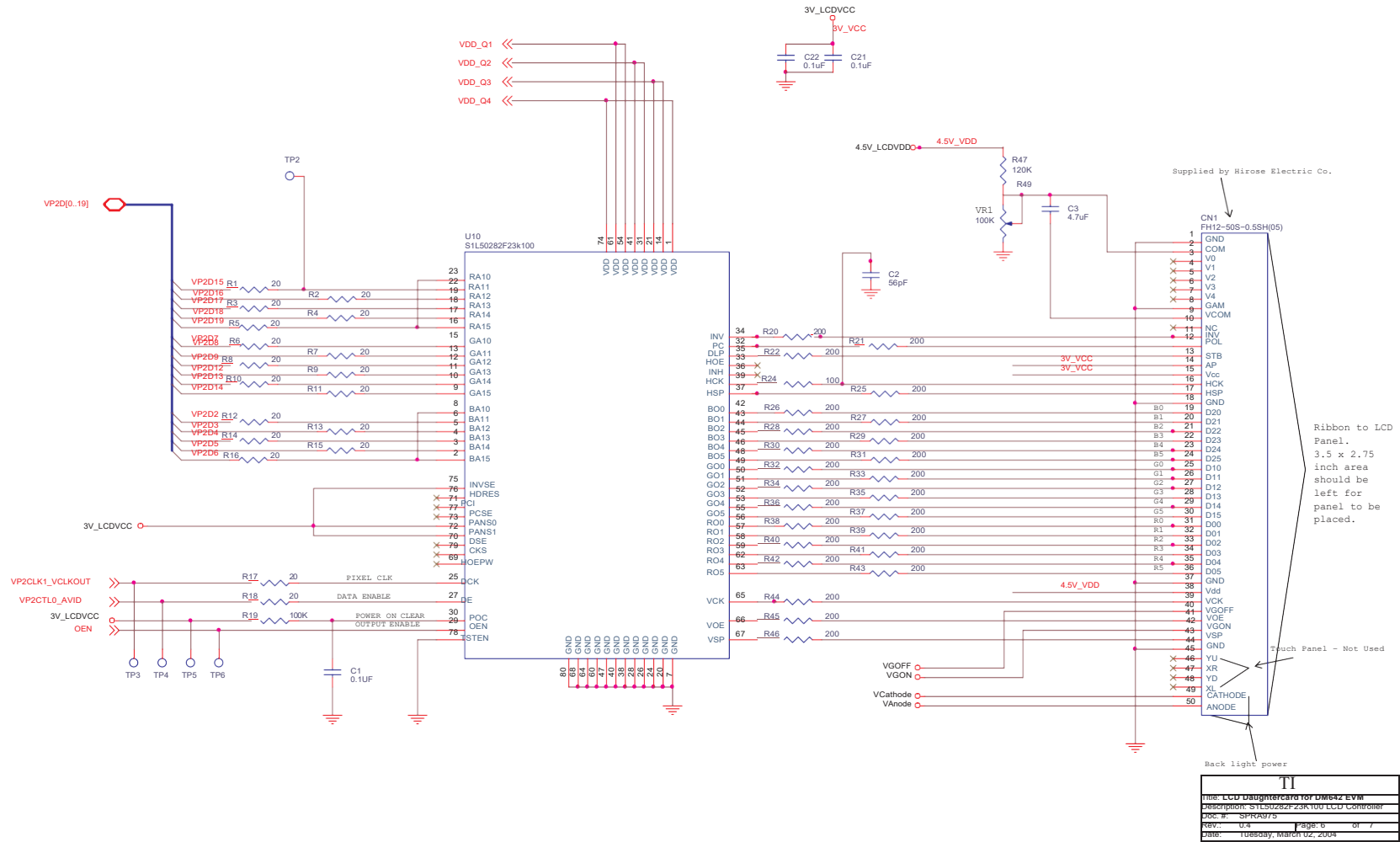
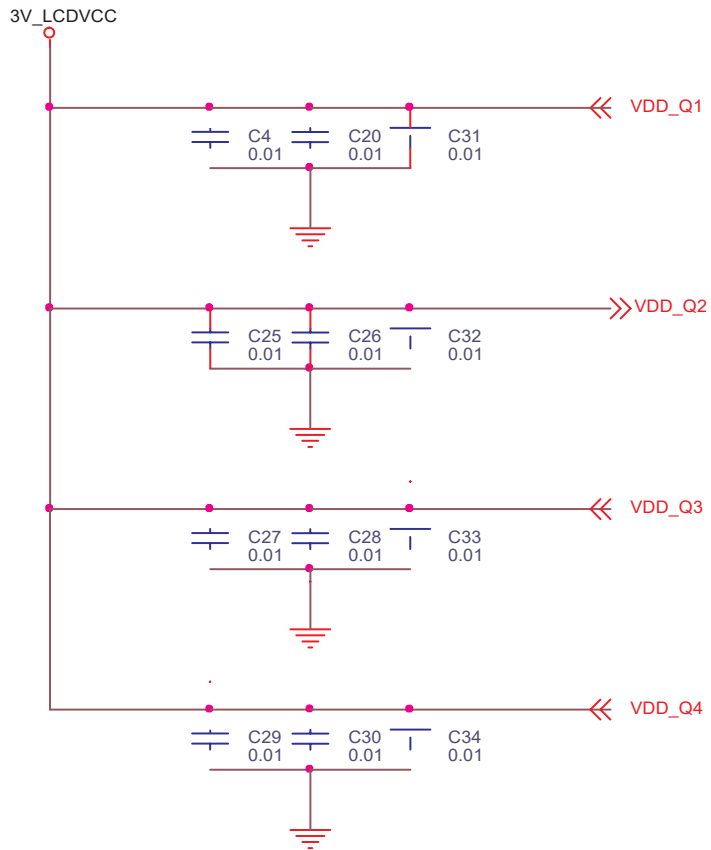


Figure A-6. S1L50282F23K100



TI	
Title: LCD Daughtercard for DM642 EVM	
Description: Power Supply Decoupling	
Doc. #: SPRA975	
Rev.: 0.4	Page: 7 of 7
Date: Tuesday, March 02, 2004	

Figure A-7. Power Supply Decoupling

IMPORTANT NOTICE AND DISCLAIMER

TI PROVIDES TECHNICAL AND RELIABILITY DATA (INCLUDING DATASHEETS), DESIGN RESOURCES (INCLUDING REFERENCE DESIGNS), APPLICATION OR OTHER DESIGN ADVICE, WEB TOOLS, SAFETY INFORMATION, AND OTHER RESOURCES "AS IS" AND WITH ALL FAULTS, AND DISCLAIMS ALL WARRANTIES, EXPRESS AND IMPLIED, INCLUDING WITHOUT LIMITATION ANY IMPLIED WARRANTIES OF MERCHANTABILITY, FITNESS FOR A PARTICULAR PURPOSE OR NON-INFRINGEMENT OF THIRD PARTY INTELLECTUAL PROPERTY RIGHTS.

These resources are intended for skilled developers designing with TI products. You are solely responsible for (1) selecting the appropriate TI products for your application, (2) designing, validating and testing your application, and (3) ensuring your application meets applicable standards, and any other safety, security, or other requirements. These resources are subject to change without notice. TI grants you permission to use these resources only for development of an application that uses the TI products described in the resource. Other reproduction and display of these resources is prohibited. No license is granted to any other TI intellectual property right or to any third party intellectual property right. TI disclaims responsibility for, and you will fully indemnify TI and its representatives against, any claims, damages, costs, losses, and liabilities arising out of your use of these resources.

TI's products are provided subject to TI's Terms of Sale (www.ti.com/legal/termsofsale.html) or other applicable terms available either on ti.com or provided in conjunction with such TI products. TI's provision of these resources does not expand or otherwise alter TI's applicable warranties or warranty disclaimers for TI products.

Mailing Address: Texas Instruments, Post Office Box 655303, Dallas, Texas 75265
Copyright © 2019, Texas Instruments Incorporated