
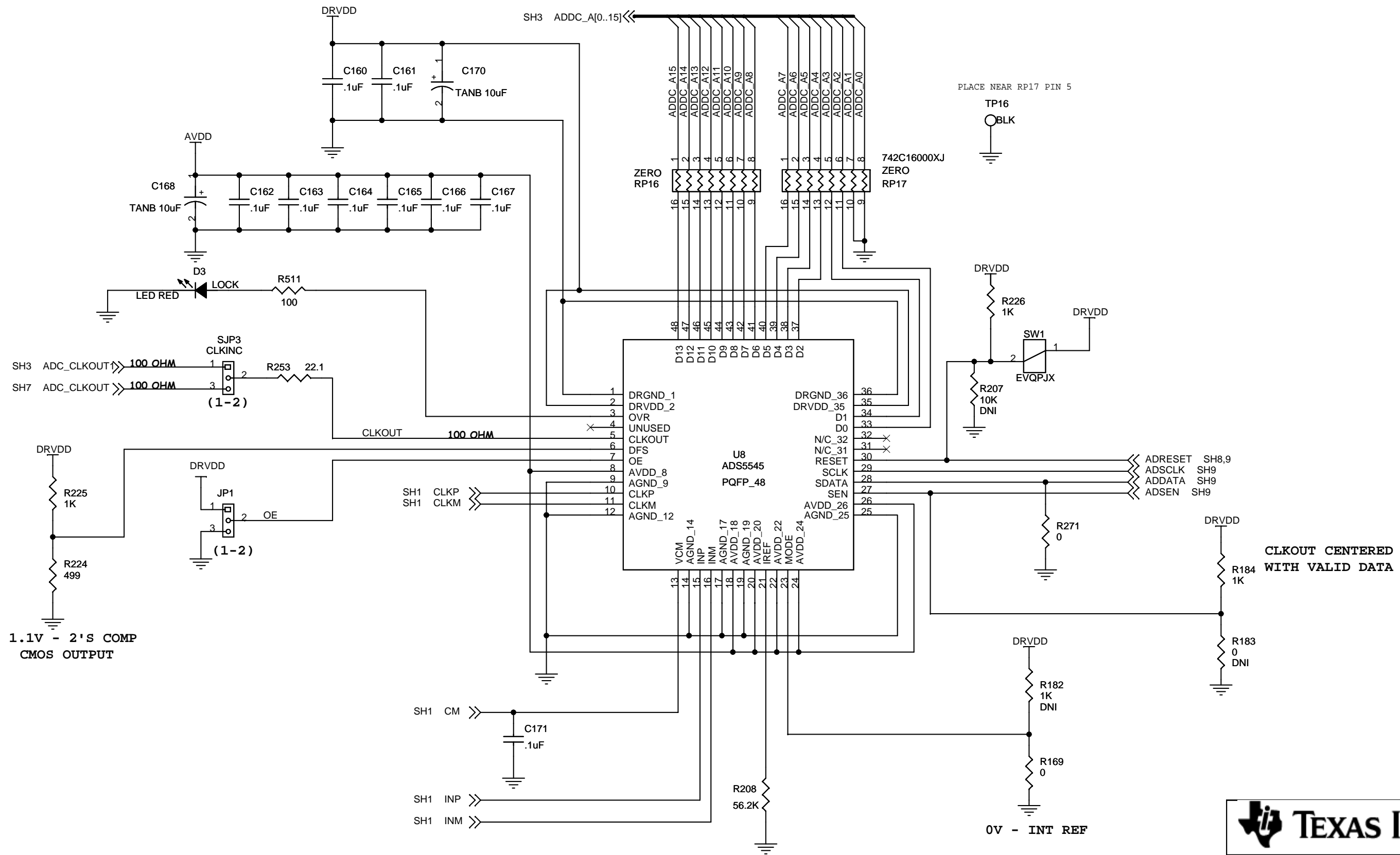


DNI: DO NOT INSTALL

 <b>TEXAS INSTRUMENTS</b> 12500 TI Boulevard, Dallas, Texas 75243		
Title <b>TSW4100</b>		
Engineer: J. SETON	Size <b>B</b>	Document Number <b>TSW4100 - SCH</b>
Drawn By: SVTRONICS	Date: Friday, February 16, 2007	Rev <b>B1</b>
FILE:	Sheet 1 of 15	



PLACE NEAR RP17 PIN 5  
TP16  
BLK

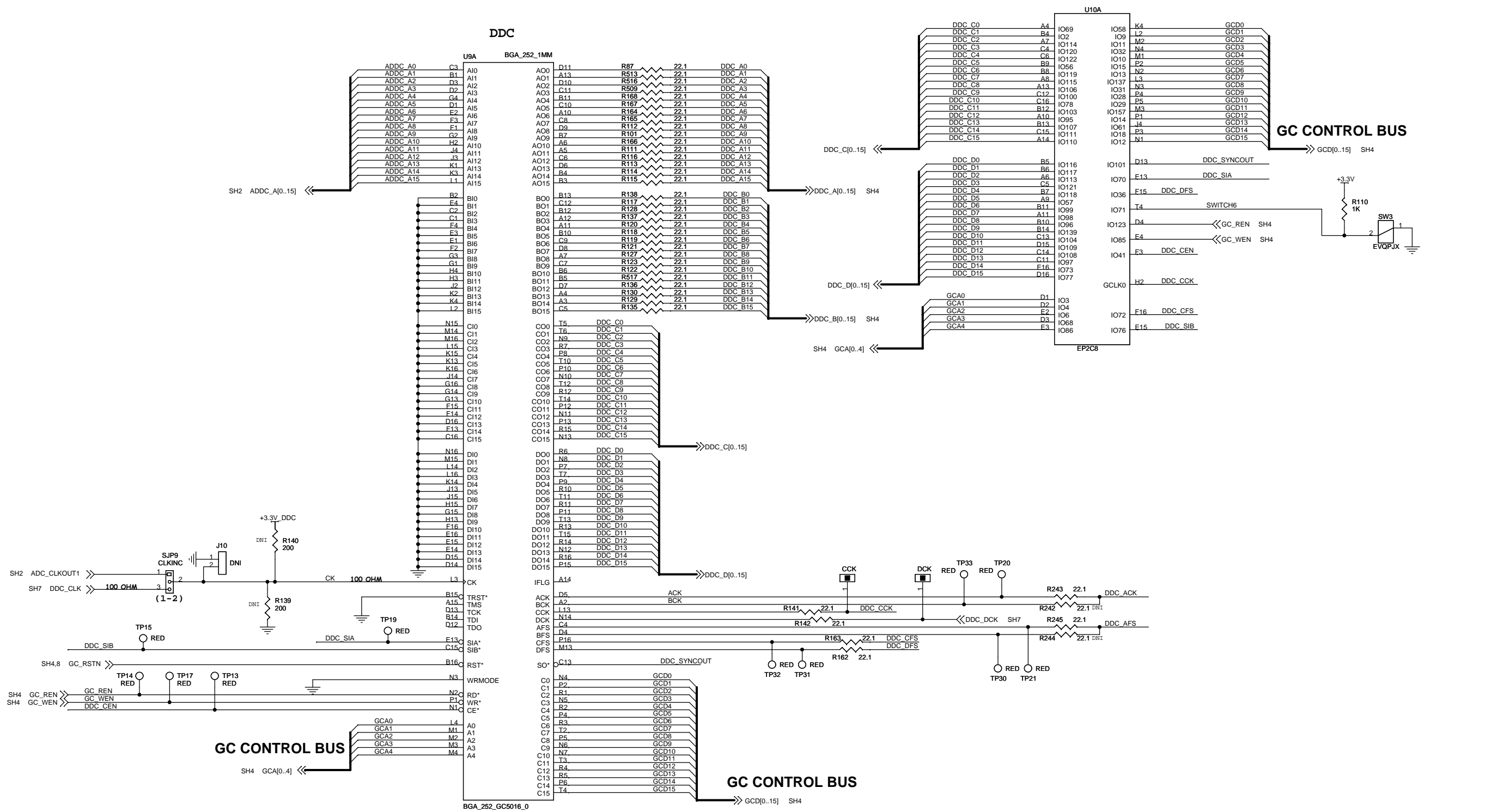
CLKOUT CENTERED  
WITH VALID DATA

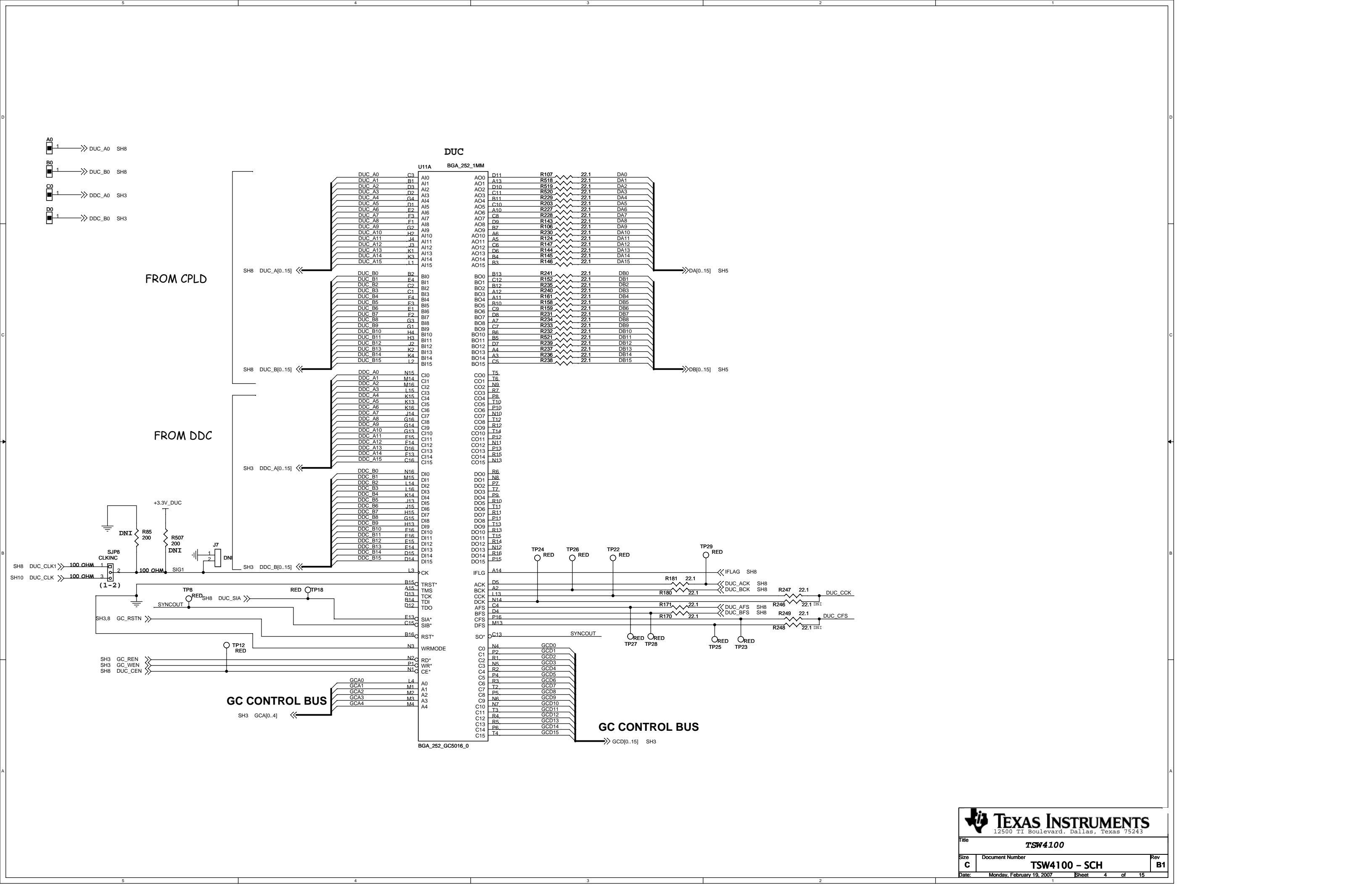
0V - INT REF

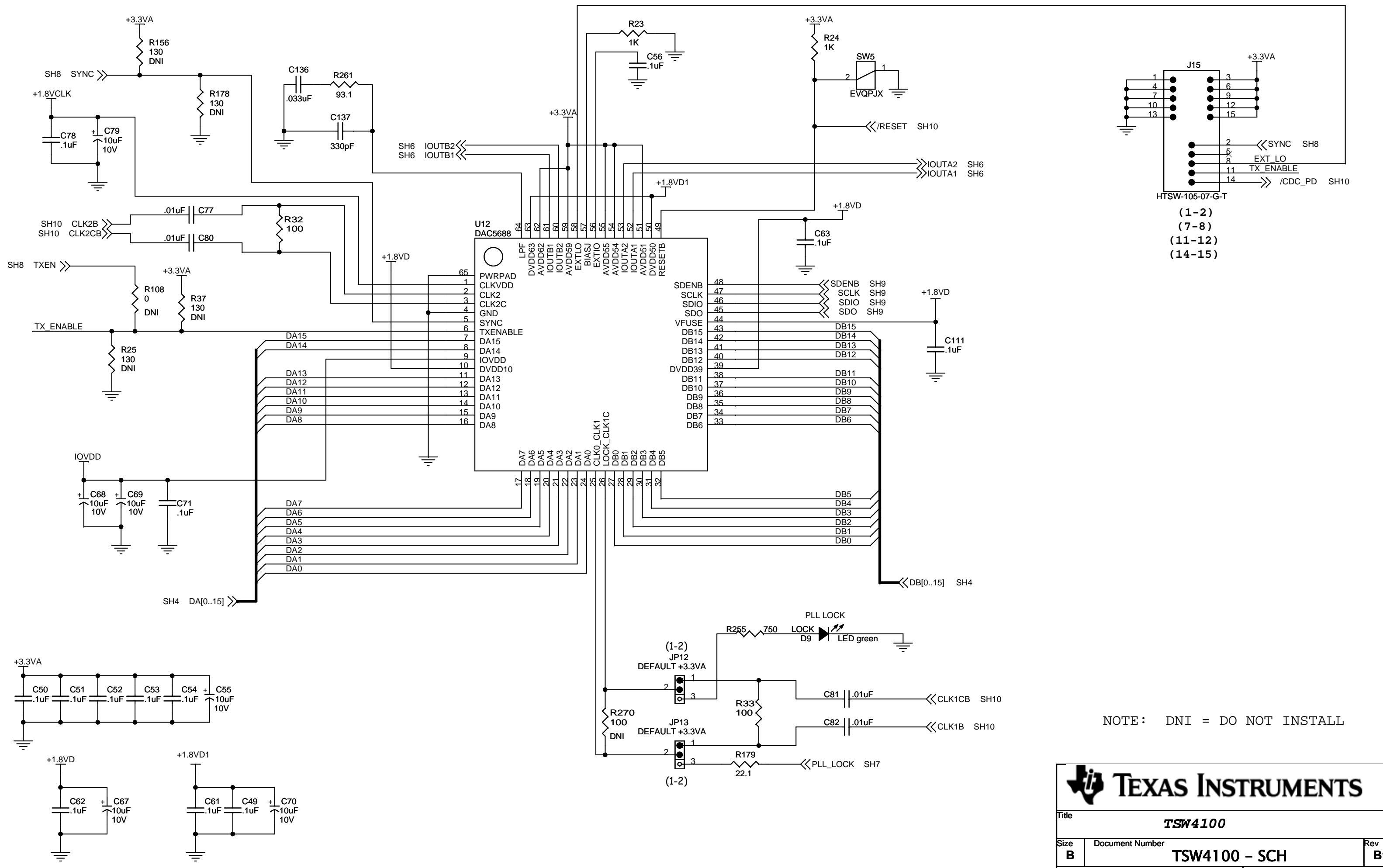
1.1V - 2'S COMP  
CMOS OUTPUT

**TEXAS INSTRUMENTS**

Title <b>TSW4100</b>		
Size <b>B</b>	Document Number <b>TSW4100 - SCH</b>	Rev <b>B1</b>
Date: Wednesday, September 26, 2007	Sheet 2	of 15

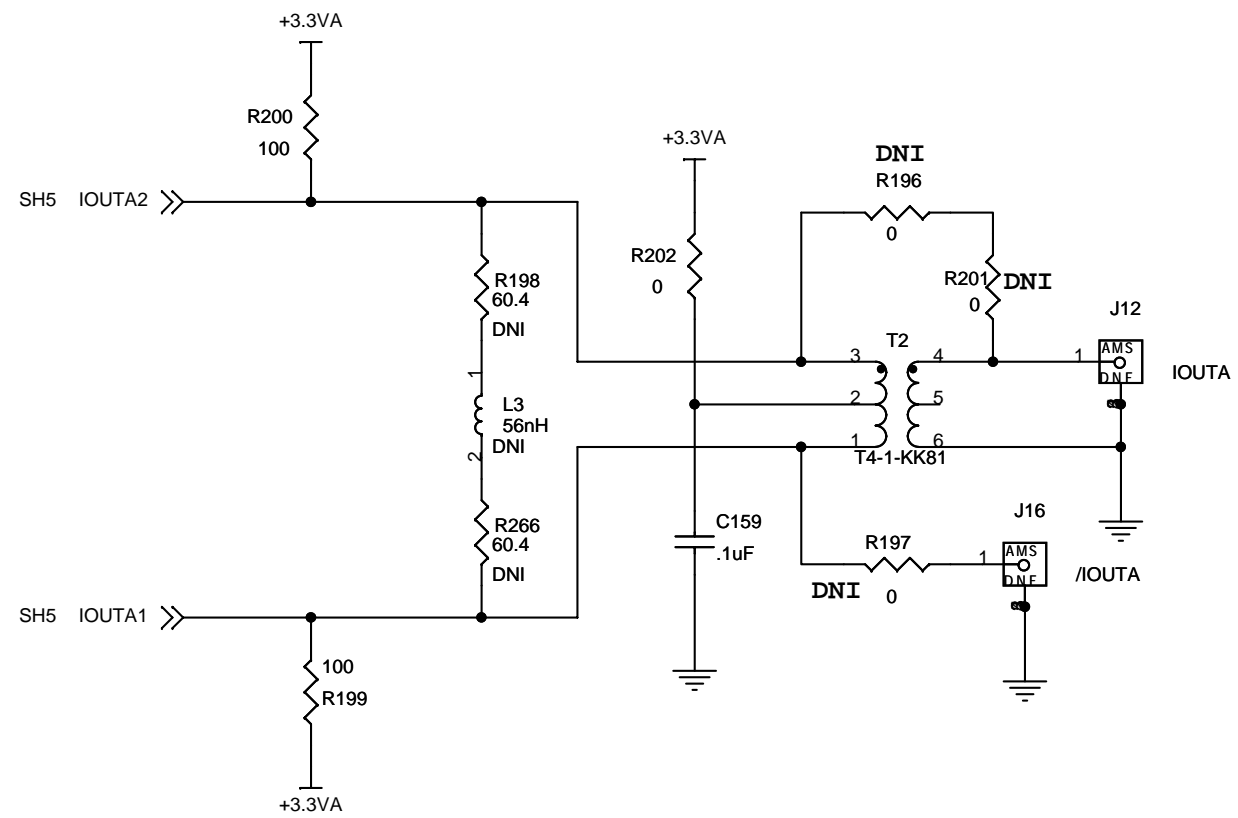
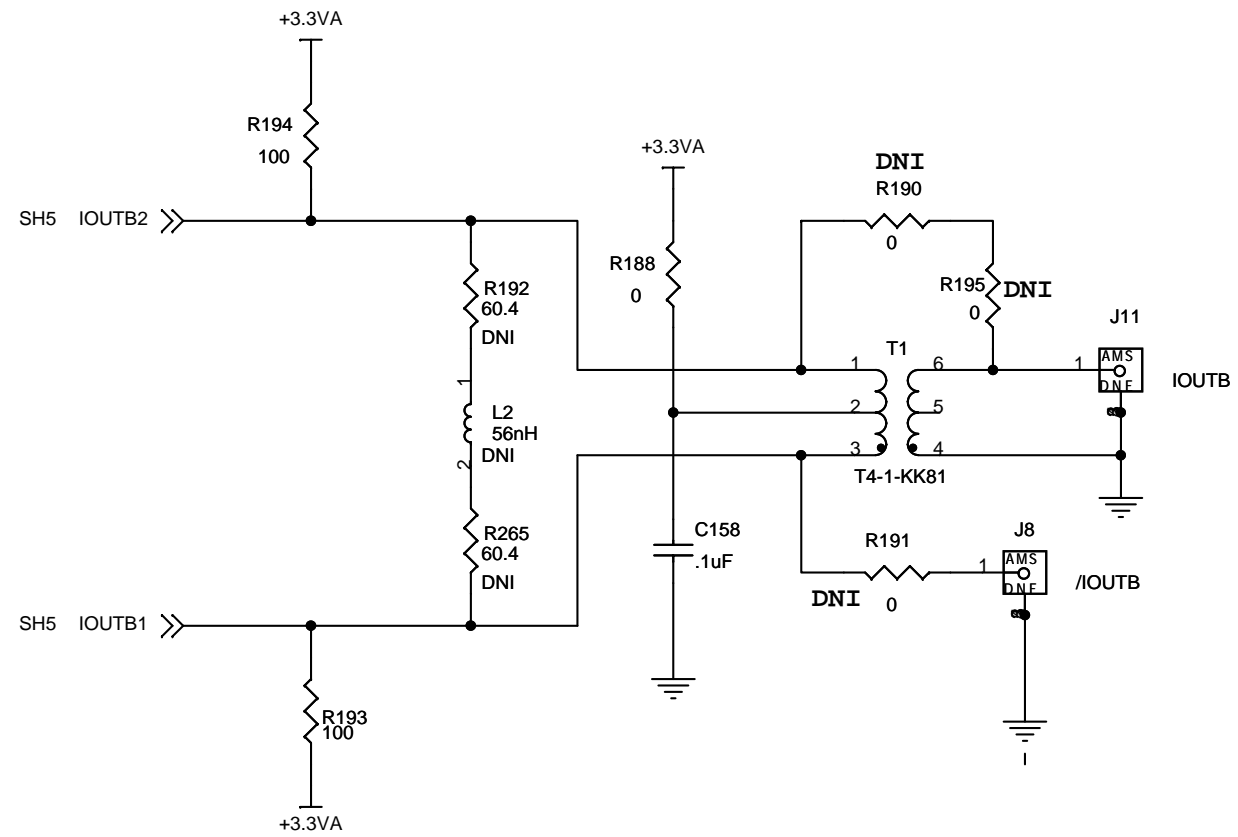




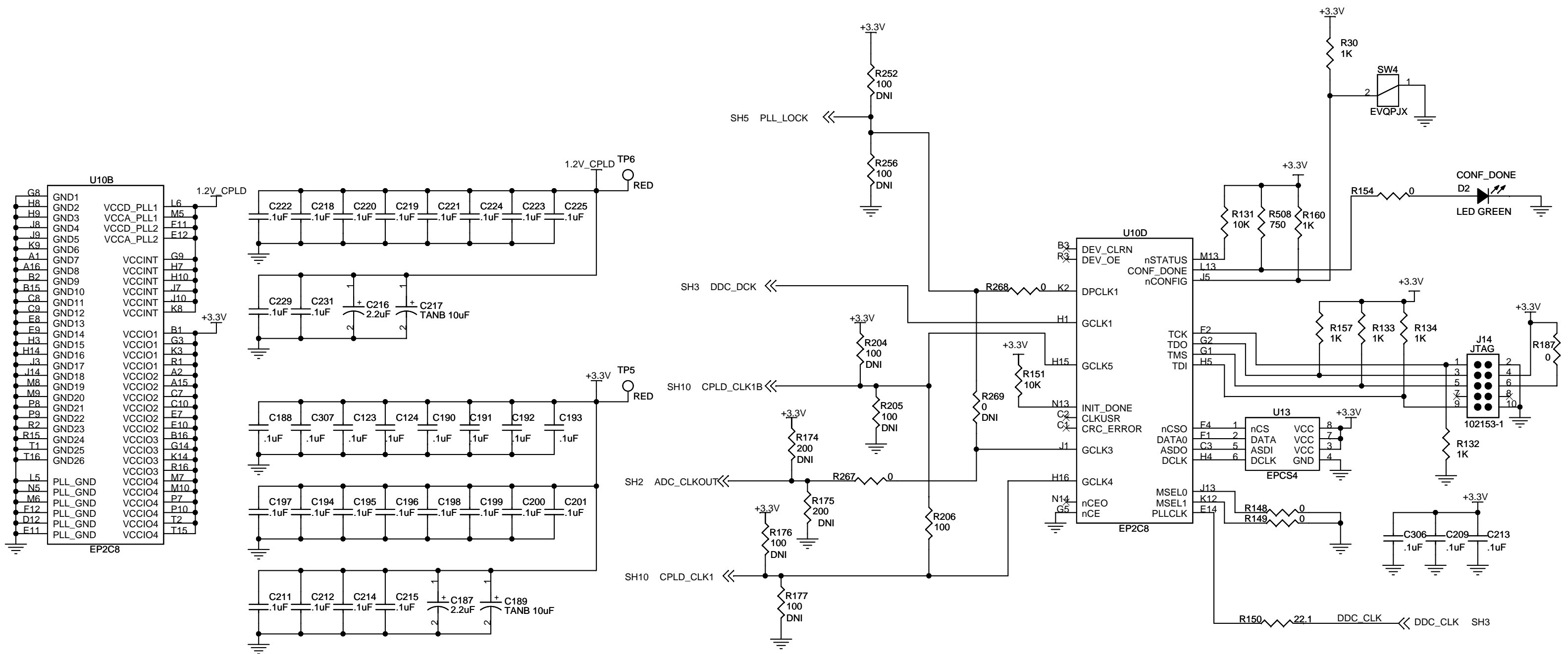


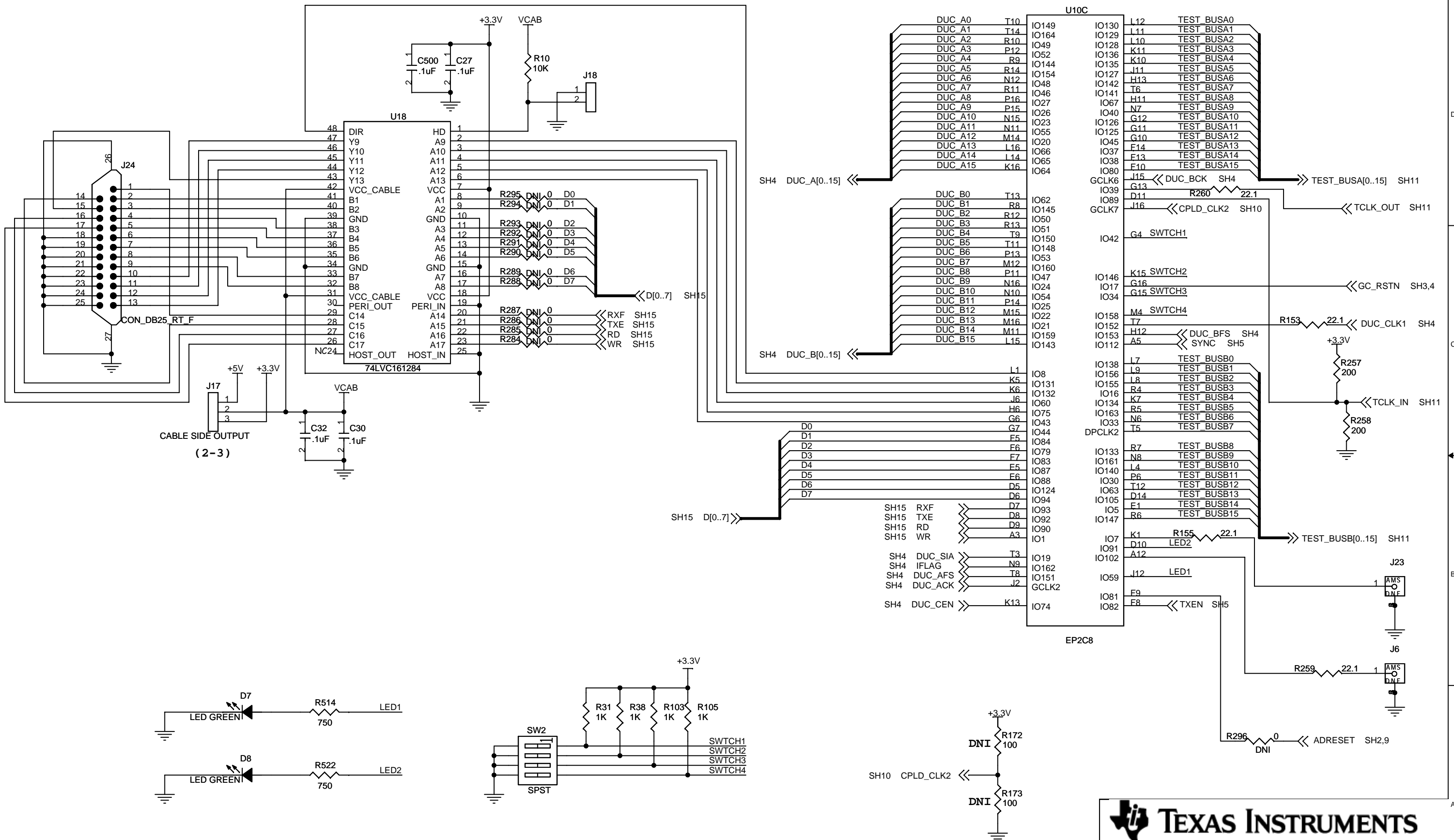
NOTE: DNI = DO NOT INSTALL

<b>TEXAS INSTRUMENTS</b>		
Title <b>TSW4100</b>		
Size <b>B</b>	Document Number <b>TSW4100 - SCH</b>	Rev <b>B1</b>
Date: Wednesday, November 14, 2007	Sheet 5 of 15	

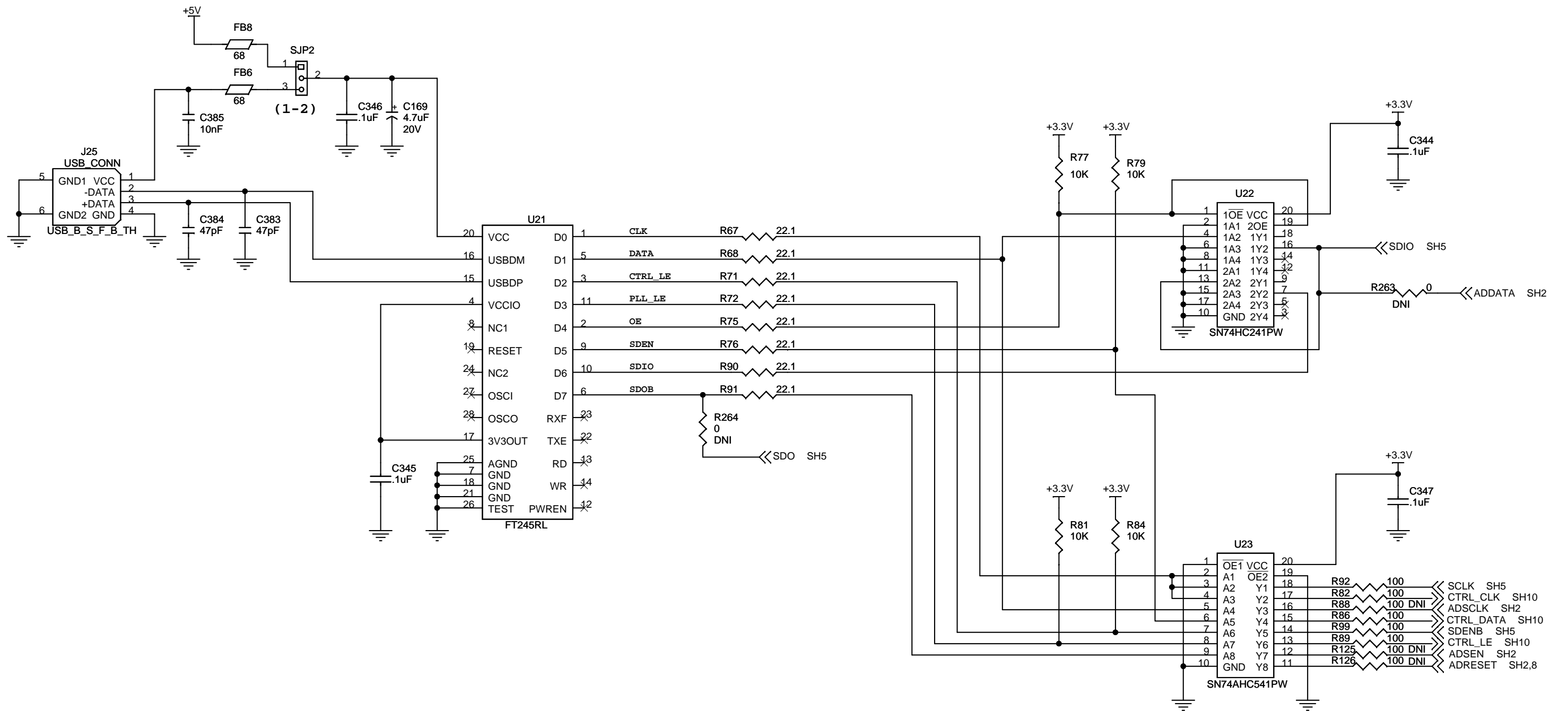


Title		
<b>TSW4100</b>		
Size	Document Number	Rev
<b>B</b>	<b>TSW4100 - SCH</b>	<b>B1</b>
Date:	Monday, February 19, 2007	Sheet 6 of 15

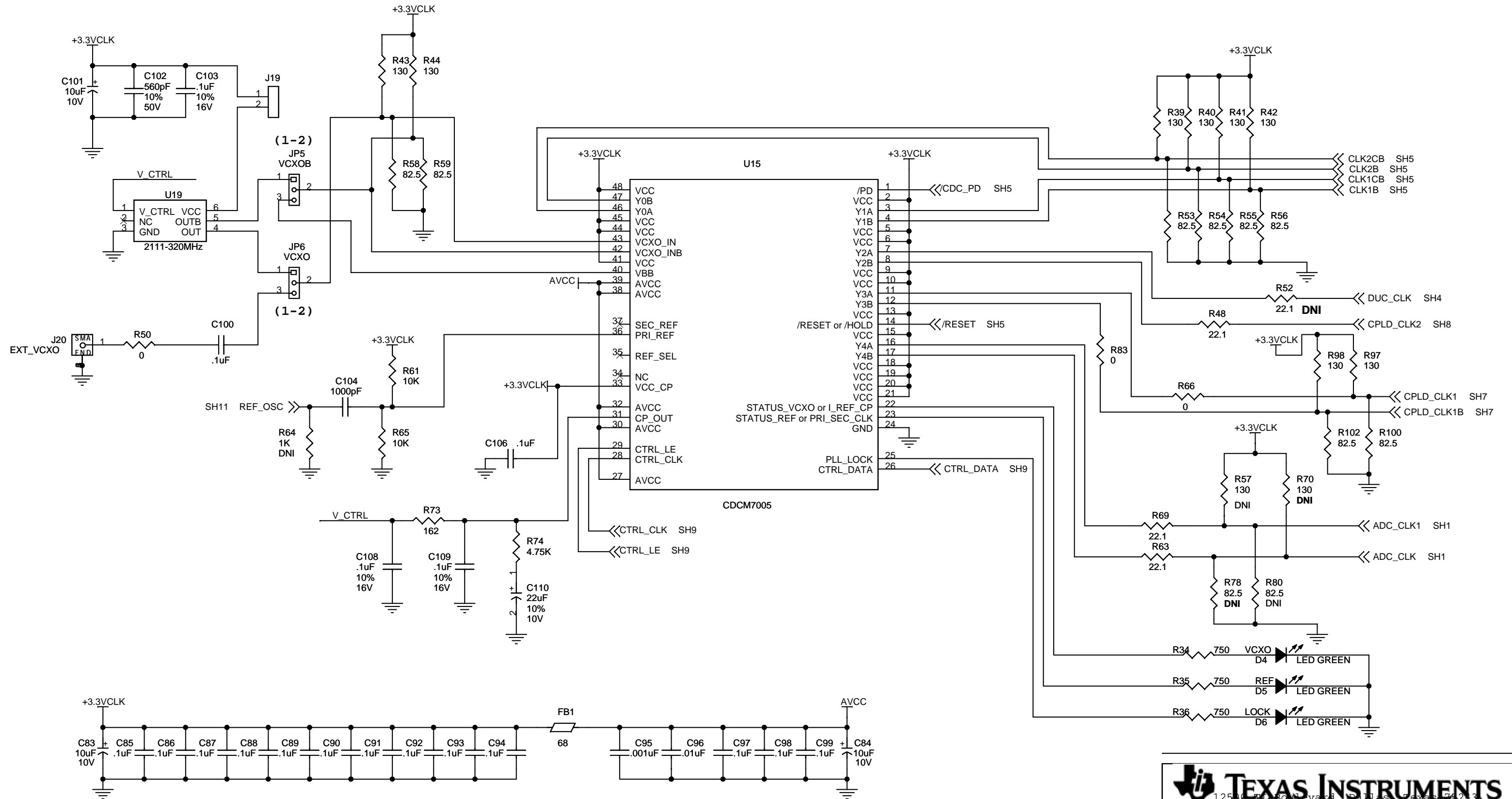








NOTE: DNI = DO NOT INSTALL

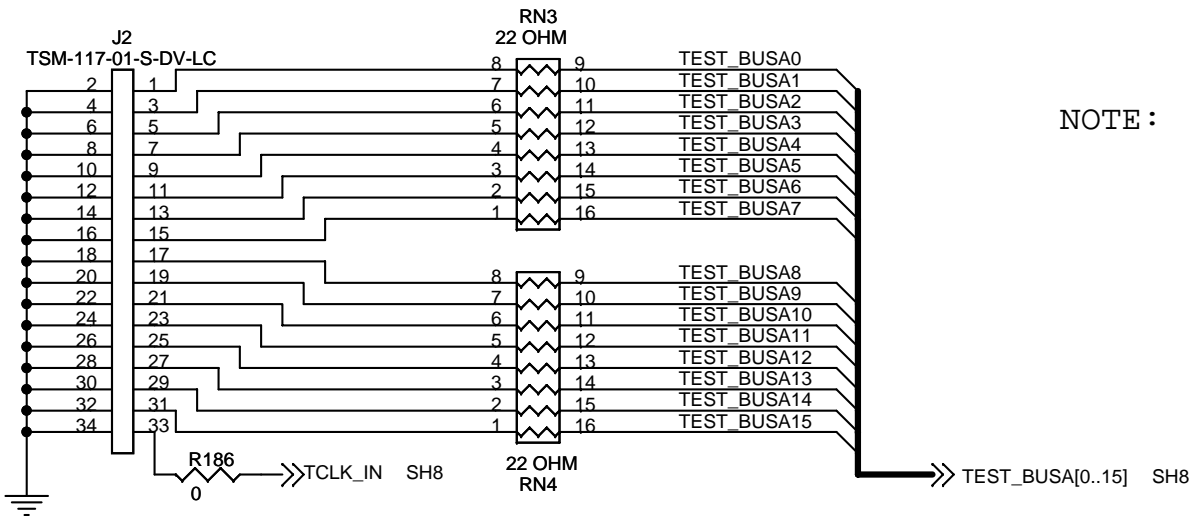


**TEXAS INSTRUMENTS**  
 12500 TI Boulevard, Dallas, Texas 75243

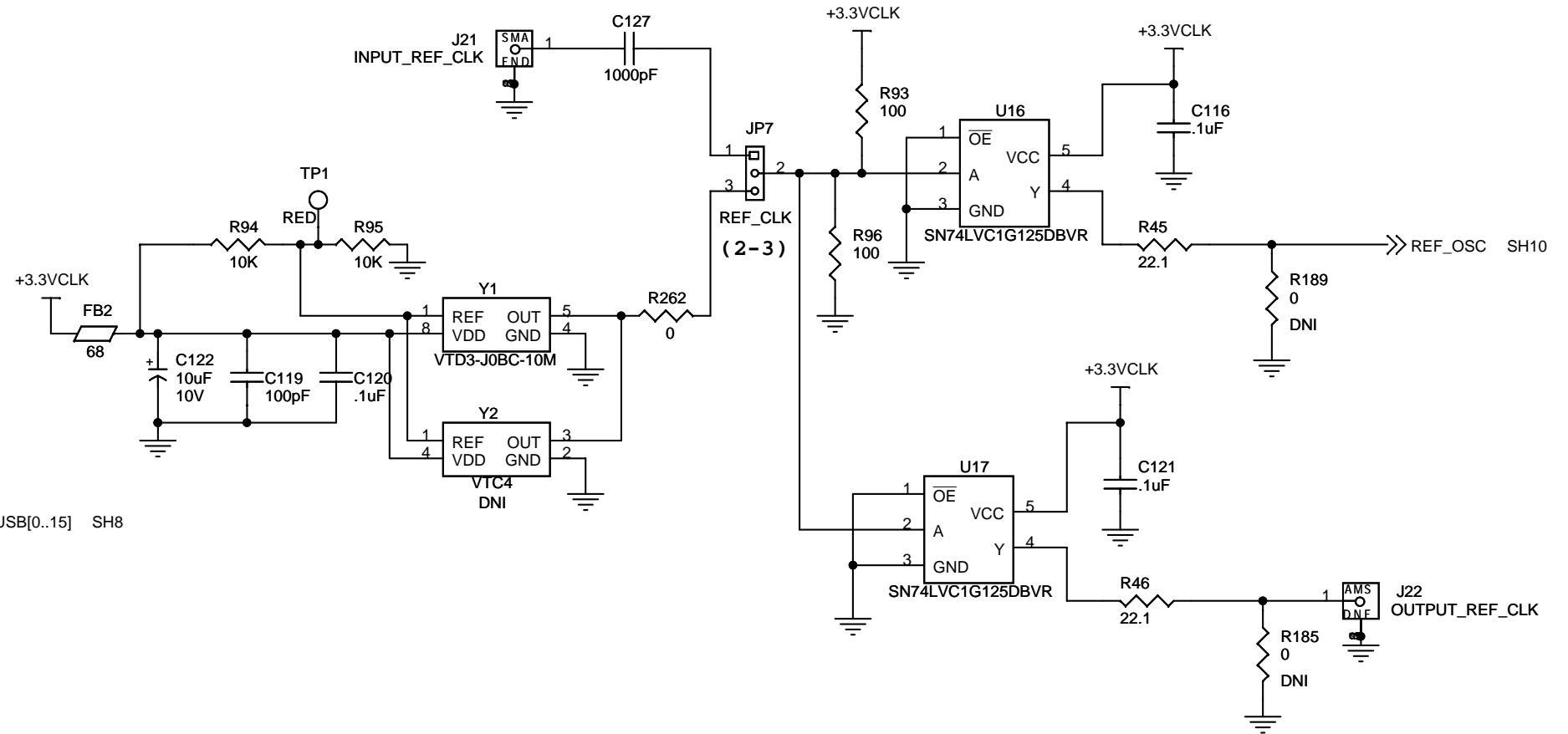
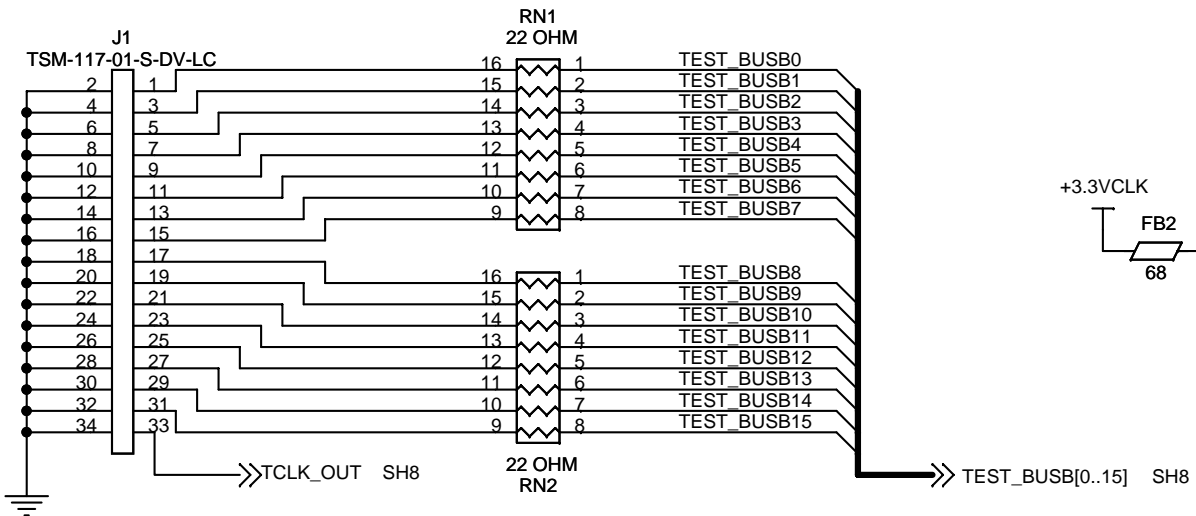
Title: **TSW4100**

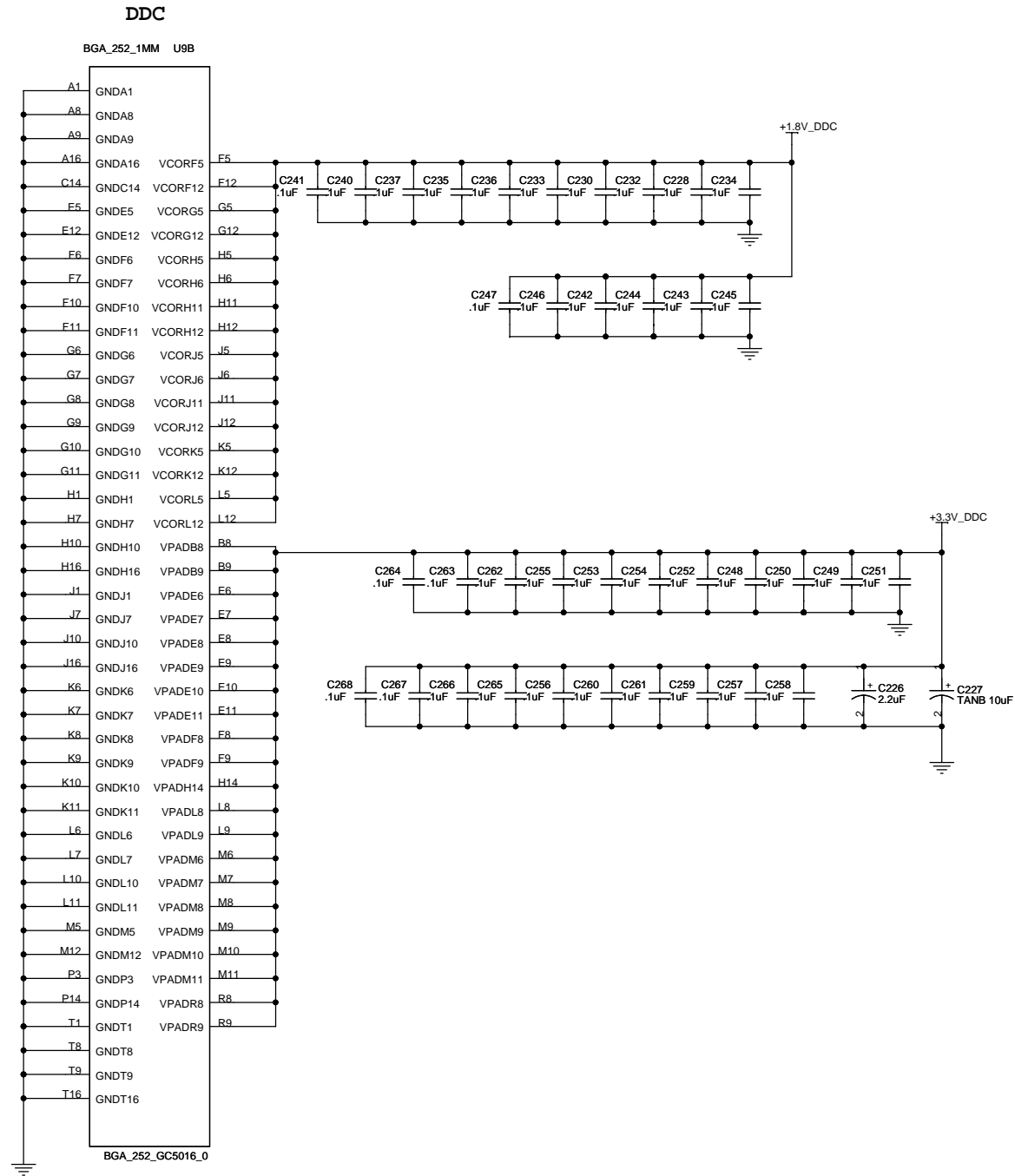
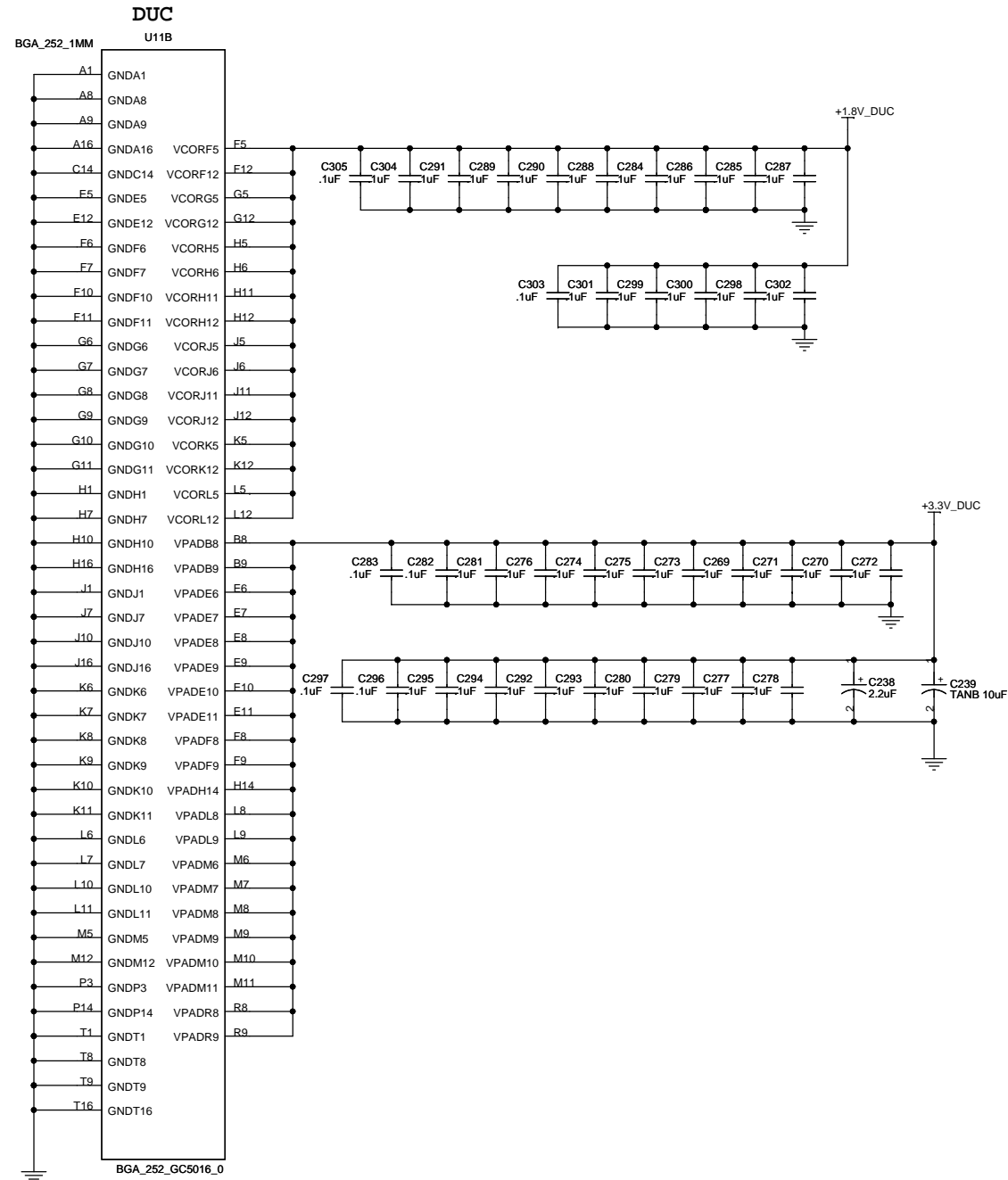
Size: **B** Document Number: **TSW4100 - SCH** Rev: **B1**

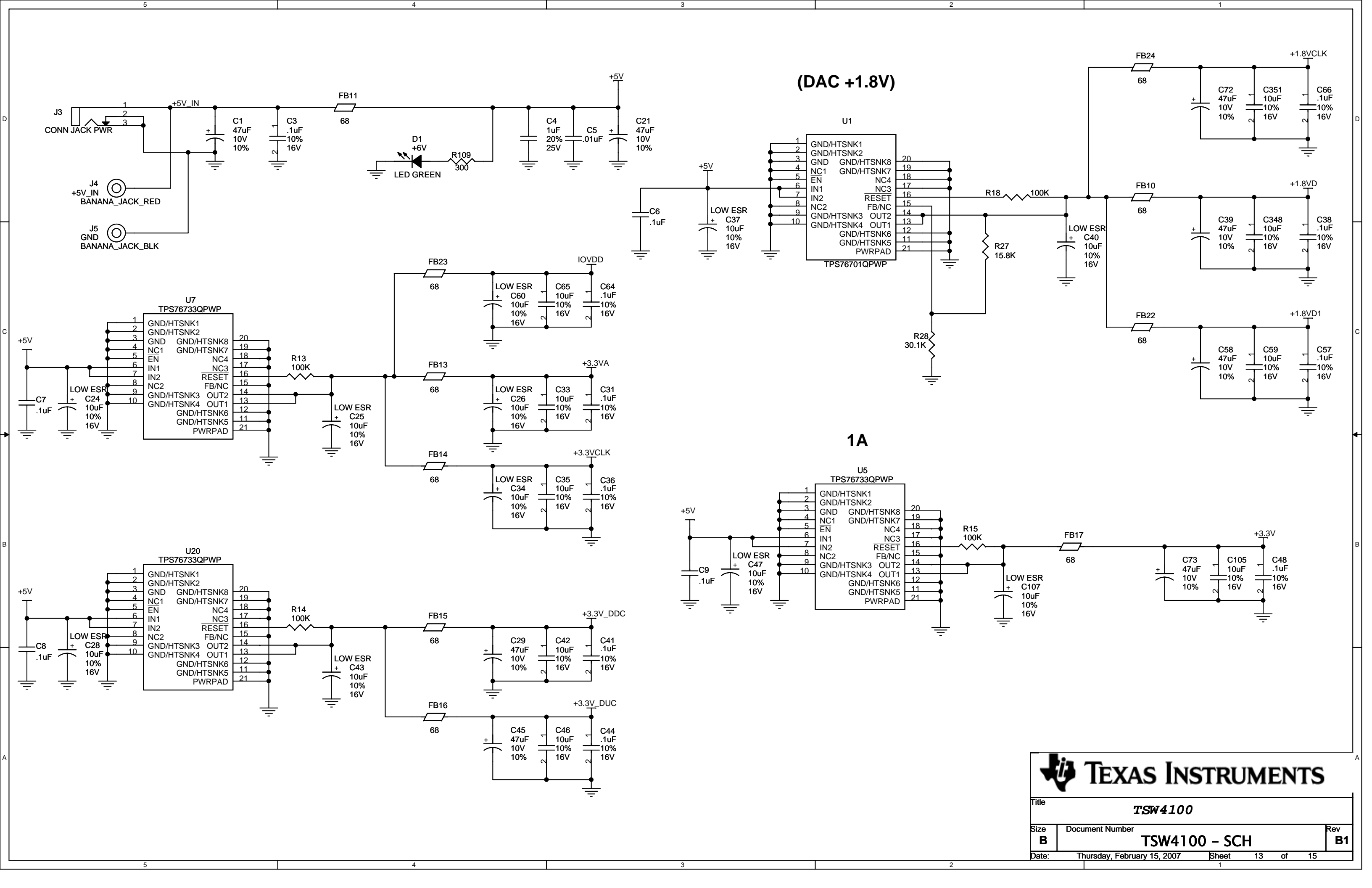
Date: Friday, February 16, 2007 Sheet 10 of 15



NOTE: DNI = DO NOT INSTALL



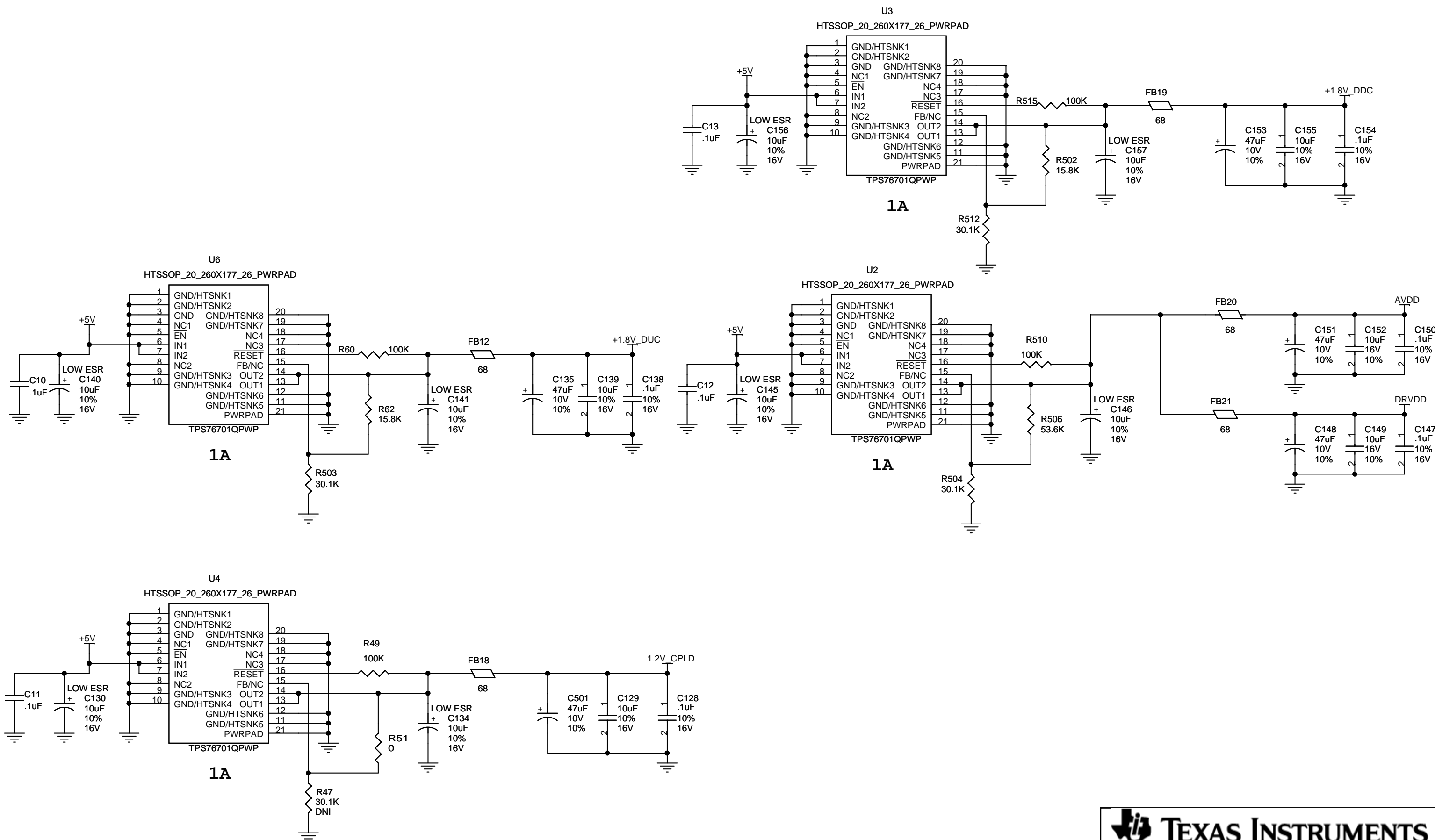




**TEXAS INSTRUMENTS**

Title: **TSW4100**

Size: <b>B</b>	Document Number: <b>TSW4100 - SCH</b>	Rev: <b>B1</b>
Date: Thursday, February 15, 2007	Sheet: 13 of 15	

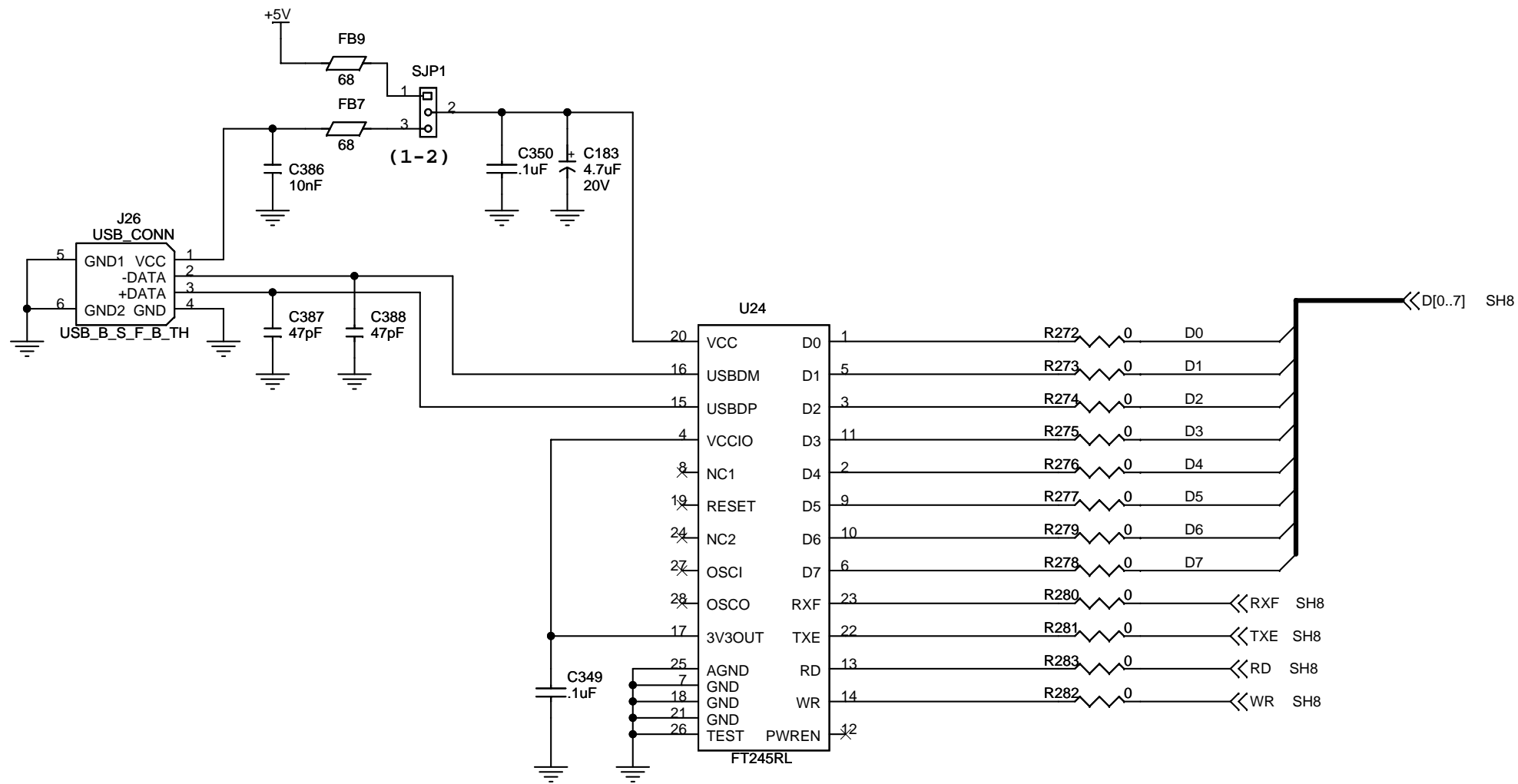


**TEXAS INSTRUMENTS**

Title: **TSW4100**

Size: **B** | Document Number: **TSW4100 - SCH** | Rev: **B1**


Date: Wednesday, February 14, 2007 | Sheet: 14 of 15



- FOR THE STANDOFFS
- Z\_SCREW1 SCREW PANHEAD 4-40 x 3/8
  - Z\_SCREW2 SCREW PANHEAD 4-40 x 3/8
  - Z\_SCREW3 SCREW PANHEAD 4-40 x 3/8
  - Z\_SCREW4 SCREW PANHEAD 4-40 x 3/8
  - Z\_STANDOFF1 STANDOFF ALUM HEX 4-40 x .500
  - Z\_STANDOFF2 STANDOFF ALUM HEX 4-40 x .500
  - Z\_STANDOFF3 STANDOFF ALUM HEX 4-40 x .500
  - Z\_STANDOFF4 STANDOFF ALUM HEX 4-40 x .500

- FOR THE J24
- Z\_SCREW5 SCREW PANHEAD 4-40 x 3/8
  - Z\_SCREW6 SCREW PANHEAD 4-40 x 3/8

NOTE: DNI = DO NOT INSTALL

 <b>TEXAS INSTRUMENTS</b>		
Title <b>TSW4100</b>		
Size <b>B</b>	Document Number <b>TSW4100 - SCH</b>	Rev <b>B1</b>
Date: Tuesday, October 30, 2007	Sheet 15	of 15

## IMPORTANT NOTICE

Texas Instruments Incorporated and its subsidiaries (TI) reserve the right to make corrections, modifications, enhancements, improvements, and other changes to its products and services at any time and to discontinue any product or service without notice. Customers should obtain the latest relevant information before placing orders and should verify that such information is current and complete. All products are sold subject to TI's terms and conditions of sale supplied at the time of order acknowledgment.

TI warrants performance of its hardware products to the specifications applicable at the time of sale in accordance with TI's standard warranty. Testing and other quality control techniques are used to the extent TI deems necessary to support this warranty. Except where mandated by government requirements, testing of all parameters of each product is not necessarily performed.

TI assumes no liability for applications assistance or customer product design. Customers are responsible for their products and applications using TI components. To minimize the risks associated with customer products and applications, customers should provide adequate design and operating safeguards.

TI does not warrant or represent that any license, either express or implied, is granted under any TI patent right, copyright, mask work right, or other TI intellectual property right relating to any combination, machine, or process in which TI products or services are used. Information published by TI regarding third-party products or services does not constitute a license from TI to use such products or services or a warranty or endorsement thereof. Use of such information may require a license from a third party under the patents or other intellectual property of the third party, or a license from TI under the patents or other intellectual property of TI.

Reproduction of TI information in TI data books or data sheets is permissible only if reproduction is without alteration and is accompanied by all associated warranties, conditions, limitations, and notices. Reproduction of this information with alteration is an unfair and deceptive business practice. TI is not responsible or liable for such altered documentation. Information of third parties may be subject to additional restrictions.

Resale of TI products or services with statements different from or beyond the parameters stated by TI for that product or service voids all express and any implied warranties for the associated TI product or service and is an unfair and deceptive business practice. TI is not responsible or liable for any such statements.

TI products are not authorized for use in safety-critical applications (such as life support) where a failure of the TI product would reasonably be expected to cause severe personal injury or death, unless officers of the parties have executed an agreement specifically governing such use. Buyers represent that they have all necessary expertise in the safety and regulatory ramifications of their applications, and acknowledge and agree that they are solely responsible for all legal, regulatory and safety-related requirements concerning their products and any use of TI products in such safety-critical applications, notwithstanding any applications-related information or support that may be provided by TI. Further, Buyers must fully indemnify TI and its representatives against any damages arising out of the use of TI products in such safety-critical applications.

TI products are neither designed nor intended for use in military/aerospace applications or environments unless the TI products are specifically designated by TI as military-grade or "enhanced plastic." Only products designated by TI as military-grade meet military specifications. Buyers acknowledge and agree that any such use of TI products which TI has not designated as military-grade is solely at the Buyer's risk, and that they are solely responsible for compliance with all legal and regulatory requirements in connection with such use.

TI products are neither designed nor intended for use in automotive applications or environments unless the specific TI products are designated by TI as compliant with ISO/TS 16949 requirements. Buyers acknowledge and agree that, if they use any non-designated products in automotive applications, TI will not be responsible for any failure to meet such requirements.

Following are URLs where you can obtain information on other Texas Instruments products and application solutions:

### Products

Amplifiers	<a href="http://amplifier.ti.com">amplifier.ti.com</a>
Data Converters	<a href="http://dataconverter.ti.com">dataconverter.ti.com</a>
DSP	<a href="http://dsp.ti.com">dsp.ti.com</a>
Clocks and Timers	<a href="http://www.ti.com/clocks">www.ti.com/clocks</a>
Interface	<a href="http://interface.ti.com">interface.ti.com</a>
Logic	<a href="http://logic.ti.com">logic.ti.com</a>
Power Mgmt	<a href="http://power.ti.com">power.ti.com</a>
Microcontrollers	<a href="http://microcontroller.ti.com">microcontroller.ti.com</a>
RFID	<a href="http://www.ti-rfid.com">www.ti-rfid.com</a>
RF/IF and ZigBee® Solutions	<a href="http://www.ti.com/lprf">www.ti.com/lprf</a>

### Applications

Audio	<a href="http://www.ti.com/audio">www.ti.com/audio</a>
Automotive	<a href="http://www.ti.com/automotive">www.ti.com/automotive</a>
Broadband	<a href="http://www.ti.com/broadband">www.ti.com/broadband</a>
Digital Control	<a href="http://www.ti.com/digitalcontrol">www.ti.com/digitalcontrol</a>
Medical	<a href="http://www.ti.com/medical">www.ti.com/medical</a>
Military	<a href="http://www.ti.com/military">www.ti.com/military</a>
Optical Networking	<a href="http://www.ti.com/opticalnetwork">www.ti.com/opticalnetwork</a>
Security	<a href="http://www.ti.com/security">www.ti.com/security</a>
Telephony	<a href="http://www.ti.com/telephony">www.ti.com/telephony</a>
Video & Imaging	<a href="http://www.ti.com/video">www.ti.com/video</a>
Wireless	<a href="http://www.ti.com/wireless">www.ti.com/wireless</a>

Mailing Address: Texas Instruments, Post Office Box 655303, Dallas, Texas 75265  
Copyright 2008, Texas Instruments Incorporated