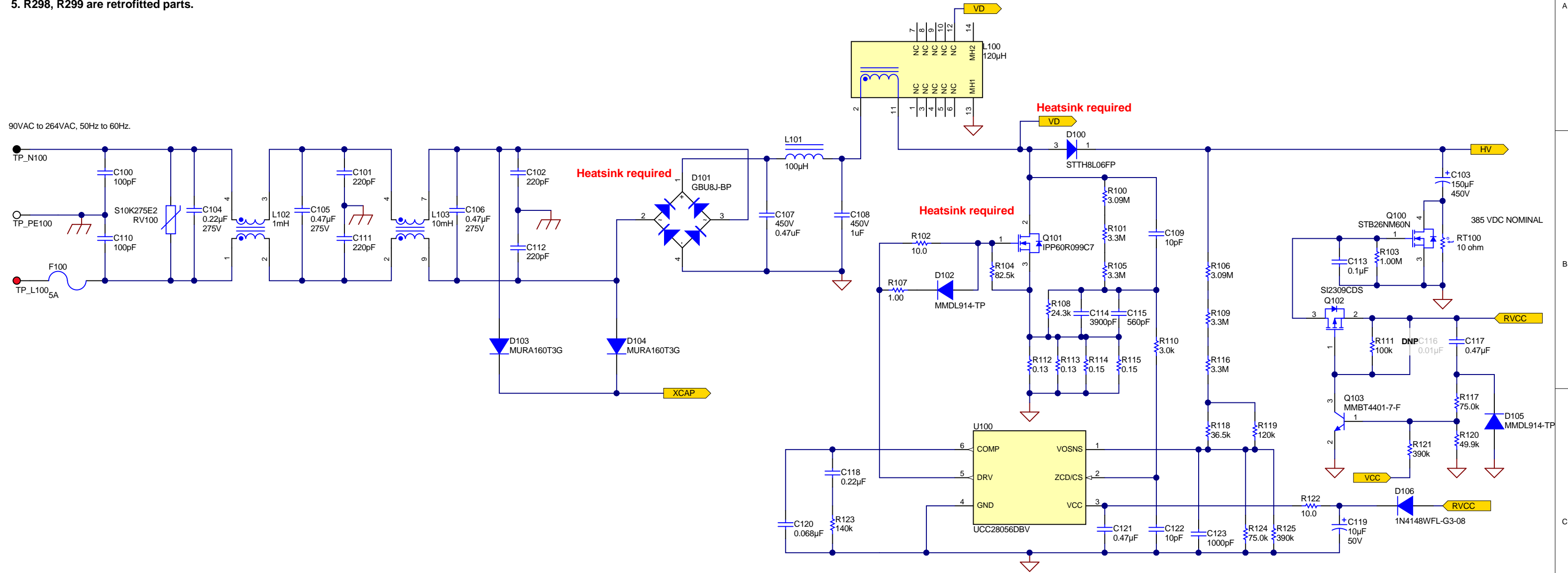


Notes:

1. A 75mm x 30mm x 2.54mm heatsink is applied to Q101, D100, and D101.
2. Cut and rewire trace on the bottom layer PCB is needed for C222 connection.
3. R206 is directly shorted by wire instead of a 0ohm resistor.
4. PMP22087RevA circuit is built on PMP21160RevB PCB board.
5. R298, R299 are retrofitted parts.

90VAC to 264VAC, 50Hz to 60Hz.



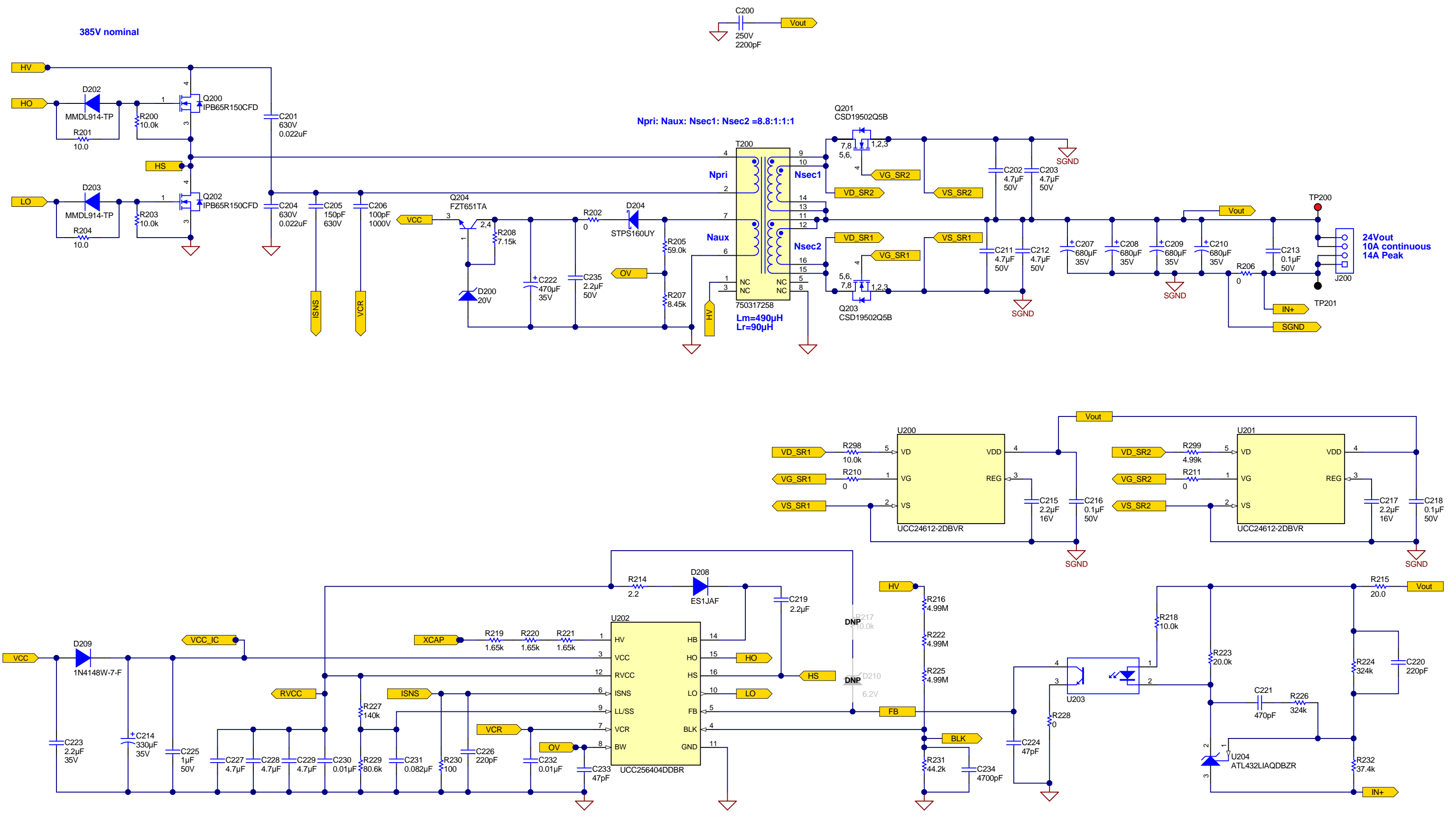
PCB Number: PMP22087
PCB Rev: B

Texas Instruments and/or its licensors do not warrant the accuracy or completeness of this specification or any information contained therein. Texas Instruments and/or its licensors do not warrant that this design will meet the specifications, will be suitable for your application or fit for any particular purpose, or will operate in an implementation. Texas Instruments and/or its licensors do not warrant that the design is production worthy. You should completely validate and test your design implementation to confirm the system functionality for your application.

Orderable:	Designed for: Public Release	Mod. Date: 6/9/2019
TID #: N/A	Project Title: AC/DC PSU, 240W cont. 336W peak	
Number: PMP22087	Rev: A	Sheet Title:
SVN Rev: Version control disabled	Assembly Variant: 001	Sheet: 1 of 3
Drawn By:	File: PMP21160_CoverSheet.SchDoc	Size: B
Engineer: Sheng-Yang Yu	Contact: http://www.ti.com/support	



© Texas Instruments 2019



385V nominal

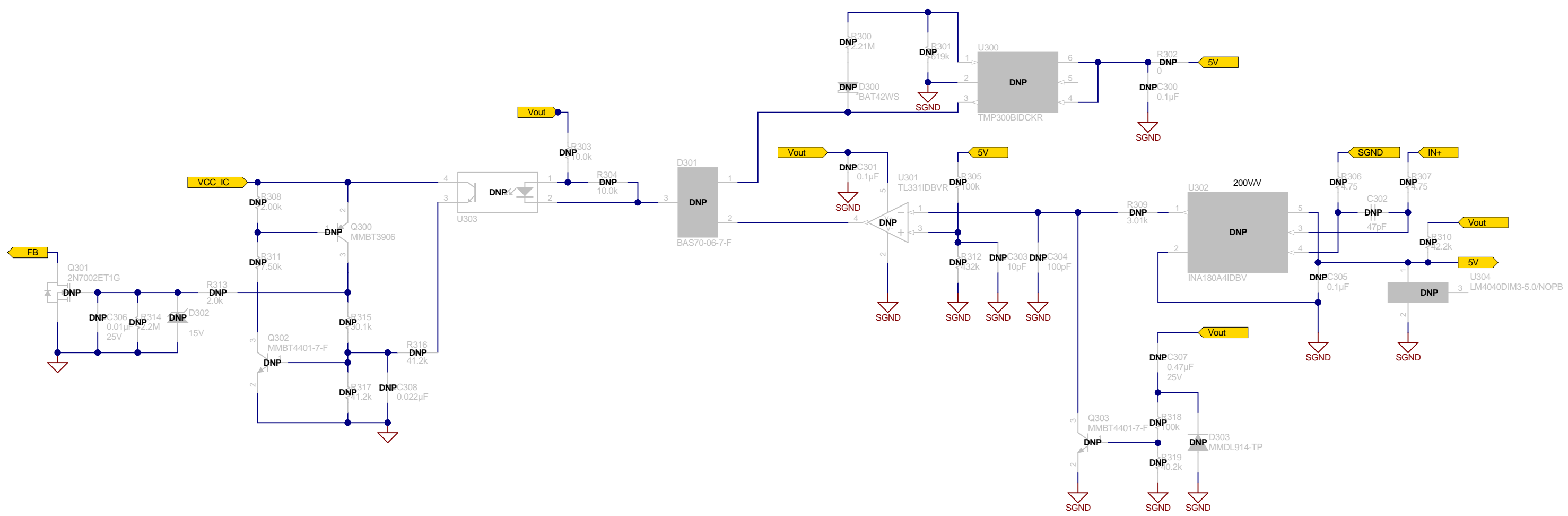
$N_{pri} : N_{aux} : N_{sec1} : N_{sec2} = 8.8:1:1:1$

24Vout
10A continuous
14A Peak

Orderable:	Designed for: Public Release	Mod. Date: 6/26/2019
TID #: N/A	Project Title: AC/DC PSU, 240W cont. 336W peak	
Number: PMP22087	Rev: A	Sheet Title:
SVN Rev: Version control disabled	Assembly Variant: 001	Sheet: 2 of 3
Drawn By:	File: PMP21160_BlankSheet_SchDoc	Size: B
Engineer: Sheng-Yang Yu	Contact: http://www.ti.com/support	

Texas Instruments and/or its licensors do not warrant the accuracy or completeness of this specification or any information contained therein. Texas Instruments and/or its licensors do not warrant that this design will meet the specifications, will be suitable for your application or fit for any particular purpose, or will operate in an implementation. Texas Instruments and/or its licensors do not warrant that the design is production worthy. You should completely validate and test your design implementation to confirm the system functionality for your application.





Latched off OTP and OCP.

Texas Instruments and/or its licensors do not warrant the accuracy or completeness of this specification or any information contained therein. Texas Instruments and/or its licensors do not warrant that this design will meet the specifications, will be suitable for your application or fit for any particular purpose, or will operate in an implementation. Texas Instruments and/or its licensors do not warrant that the design is production worthy. You should completely validate and test your design implementation to confirm the system functionality for your application.

Orderable:	Designed for: Public Release	Mod. Date: 12/13/2017	 TEXAS INSTRUMENTS http://www.ti.com © Texas Instruments 2019
TID #: N/A	Project Title: AC/DC PSU, 240W cont. 336W peak	Sheet: 3 of 3	
Number: PMP22087	Rev: A	File: PMP21160_EVM_Hardware_SchDoc	
SVN Rev: Version control disabled	Assembly Variant: 001	Size: B	
Drawn By:	Engineer: Sheng-Yang Yu	Contact: http://www.ti.com/support	

IMPORTANT NOTICE AND DISCLAIMER

TI PROVIDES TECHNICAL AND RELIABILITY DATA (INCLUDING DATASHEETS), DESIGN RESOURCES (INCLUDING REFERENCE DESIGNS), APPLICATION OR OTHER DESIGN ADVICE, WEB TOOLS, SAFETY INFORMATION, AND OTHER RESOURCES "AS IS" AND WITH ALL FAULTS, AND DISCLAIMS ALL WARRANTIES, EXPRESS AND IMPLIED, INCLUDING WITHOUT LIMITATION ANY IMPLIED WARRANTIES OF MERCHANTABILITY, FITNESS FOR A PARTICULAR PURPOSE OR NON-INFRINGEMENT OF THIRD PARTY INTELLECTUAL PROPERTY RIGHTS.

These resources are intended for skilled developers designing with TI products. You are solely responsible for (1) selecting the appropriate TI products for your application, (2) designing, validating and testing your application, and (3) ensuring your application meets applicable standards, and any other safety, security, or other requirements. These resources are subject to change without notice. TI grants you permission to use these resources only for development of an application that uses the TI products described in the resource. Other reproduction and display of these resources is prohibited. No license is granted to any other TI intellectual property right or to any third party intellectual property right. TI disclaims responsibility for, and you will fully indemnify TI and its representatives against, any claims, damages, costs, losses, and liabilities arising out of your use of these resources.

TI's products are provided subject to TI's Terms of Sale (www.ti.com/legal/termsofsale.html) or other applicable terms available either on ti.com or provided in conjunction with such TI products. TI's provision of these resources does not expand or otherwise alter TI's applicable warranties or warranty disclaimers for TI products.

Mailing Address: Texas Instruments, Post Office Box 655303, Dallas, Texas 75265
Copyright © 2019, Texas Instruments Incorporated