

# TLV809

## 3-Pin Supply Voltage Supervisor

### 1 Features

- Precision supply voltage monitor: 2.5 V, 3 V, 3.3 V, 5 V
- Power-on reset generator with a fixed delay time of 200 ms
- Supply current: 9  $\mu$ A (typical)
- Temperature range:  $-40^{\circ}\text{C}$  to  $+85^{\circ}\text{C}$
- 3-Pin SOT-23 package
- Pin-for-pin compatible with the MAX809

### 2 Applications

- [Factory automation](#)
- [Portable and battery-powered equipment](#)
- [Set-top boxes](#)
- [Servers](#)
- [Appliances](#)
- [Electricity meters](#)
- [Building automation](#)

### 3 Description

The TLV809 family of supervisory circuits provides circuit initialization and timing supervision, primarily for digital signal processors (DSPs) and processor-based systems. The newer [TLV809E](#) device is a pin-to-pin compatible alternative.

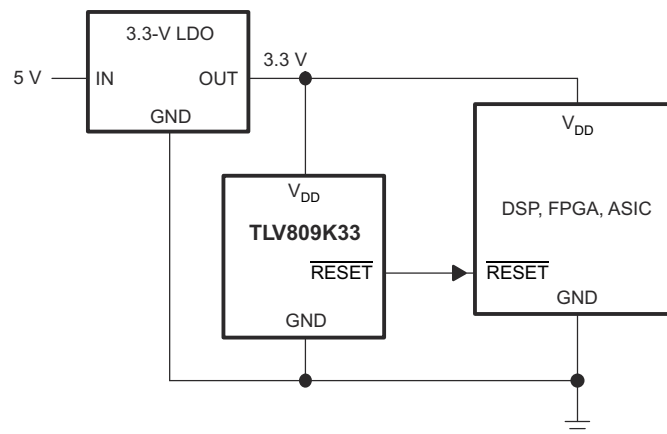
During power-on,  $\overline{\text{RESET}}$  is asserted when the supply voltage ( $V_{\text{DD}}$ ) becomes greater than 1.1 V. Thereafter, the supervisory circuit monitors  $V_{\text{DD}}$  and keeps  $\overline{\text{RESET}}$  active as long as  $V_{\text{DD}}$  remains below the threshold voltage,  $V_{\text{IT}}$ . An internal timer delays the return of the output to the inactive state (high) to ensure proper system reset. The delay time ( $t_{\text{d(typ)}}$  = 200 ms) starts after  $V_{\text{DD}}$  rises above the threshold voltage,  $V_{\text{IT}}$ . When the supply voltage drops below the  $V_{\text{IT}}$  threshold voltage, the output becomes active (low) again. No external components are required. All devices in this family have a fixed sense-threshold voltage ( $V_{\text{IT}}$ ) set by an internal voltage divider.

This product family is designed for supply voltages of 2.5 V, 3 V, 3.3 V, and 5 V. The circuits are available in a 3-pin SOT-23 package. The TLV809 devices are characterized for operation over a temperature range of  $-40^{\circ}\text{C}$  to  $+85^{\circ}\text{C}$ .

#### Device Information

| PART NUMBER | PACKAGE (1)     | BODY SIZE (NOM)          |
|-------------|-----------------|--------------------------|
| TLV809      | SOT-23 (3), DBV | 2.90 mm $\times$ 1.60 mm |
|             | SOT-23 (3), DBZ | 2.92 mm $\times$ 1.30 mm |

(1) For all available packages, see the orderable addendum at the end of the data sheet.



Typical Application



## Table of Contents

|  |   |  |    |
|--|---|--|----|
| <b>1 Features</b> .....                        | 1 | 8.2 Functional Block Diagram.....                                | 9  |
| <b>2 Applications</b> .....                    | 1 | 8.3 Feature Description.....                                     | 9  |
| <b>3 Description</b> .....                     | 1 | 8.4 Device Functional Modes.....                                 | 9  |
| <b>4 Revision History</b> .....                | 2 | <b>9 Application and Implementation</b> .....                    | 10 |
| <b>5 Device Comparison</b> .....               | 4 | 9.1 Application Information.....                                 | 10 |
| <b>6 Pin Configuration and Functions</b> ..... | 4 | 9.2 Typical Application.....                                     | 11 |
| Pin Functions.....                             | 4 | <b>10 Power Supply Recommendations</b> .....                     | 12 |
| <b>7 Specifications</b> .....                  | 5 | <b>11 Layout</b> .....   | 12 |
| 7.1 Absolute Maximum Ratings.....              | 5 | 11.1 Layout Guidelines.....                                      | 12 |
| 7.2 ESD Ratings.....                           | 5 | 11.2 Layout Example.....   | 12 |
| 7.3 Recommended Operating Conditions.....      | 5 | <b>12 Device and Documentation Support</b> .....                 | 13 |
| 7.4 Thermal Information.....                   | 5 | 12.1 Documentation Support.....                                  | 13 |
| 7.5 Electrical Characteristics.....            | 6 | 12.2 Support Resources.....                                      | 13 |
| 7.6 Timing Requirements.....                   | 6 | 12.3 Trademarks.....   | 13 |
| 7.7 Switching Characteristics.....             | 6 | 12.4 Electrostatic Discharge Caution.....                        | 13 |
| 7.8 Timing Diagrams.....                       | 7 | 12.5 Glossary.....   | 13 |
| 7.9 Typical Characteristics.....               | 8 | <b>13 Mechanical, Packaging, and Orderable Information</b> ..... | 13 |
| <b>8 Detailed Description</b> .....            | 9 |  |    |
| 8.1 Overview.....                              | 9 |  |    |

## 4 Revision History

### Changes from Revision E (November 2020) to Revision F (December 2020)

Page

- Corrected missed change of VDD from 7 to 6.5 in *Absolute Maximum Ratings* for all other pins and in note2...  
5

### Changes from Revision D (March 2016) to Revision E (November 2020)

Page

- Updated the numbering format for tables, figures, and cross-references throughout the document..... 1
- Updated the *Description* section..... 1
- Updated *Device Comparison* ..... 4
- Changed VDD from 7 to 6.5 in *Absolute Maximum Ratings* ..... 5
- Changed  $V_{OL}$  @ 500 $\mu$ A from 0.2 to 0.3 in *Electrical Characteristics* ..... 6
- Changed  $t_w$  pulse duration from 3 to 10 $\mu$ s in *Timing Requirements* ..... 6
- Changed  $t_{PHL}$  from 1 to 10 $\mu$ s in *Switching Characteristics* ..... 6
- Deleted figure for Minimum Pulse Duration At  $V_{DD}$  in Typical Characteristics..... 8
- Changed figure from Pulse Duration to  $V_{OL}$ ,  $I_{OL}$  in the Typical Application Section..... 11

### Changes from Revision C (February 2012) to Revision D (March 2016)

Page

- Added *Device Information* table, *Pin Configuration and Functions* section, *ESD Ratings* table, *Overview* section, *Feature Description* section, *Device Functional Modes* section, *Application and Implementation* section, *Power Supply Recommendations* section, *Layout* section, *Device and Documentation Support* section, and *Mechanical, Packaging, and Orderable Information* section..... 1
- Deleted pinout drawing from page 1 ..... 1
- Changed *Description* section: added third paragraph and changed section wording for clarity..... 1
- Deleted soldering temperature parameter from *Absolute Maximum Ratings* table ..... 5
- Changed  $I_{DD}$  parameter test conditions in *Electrical Characteristics* table ..... 6

### Changes from Revision B (September 2010) to Revision C (February 2012)

Page

- Updated ordering information ..... 4

---

| <b>Changes from Revision A (July 2010) to Revision B (September 2010)</b> | <b>Page</b> |
|---|-------------|
| • Updated document format to current standards.....                       | 1           |
| • Added DBZ package to pinout figure.....                                 | 1           |
| • Added <i>Thermal Information</i> table.....                             | 5           |
| • Changed <a href="#">Figure 7-3</a> .....                                | 8           |

---

## 5 Device Comparison

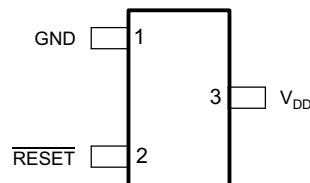
**Table 5-1. Device Threshold Options**

| PRODUCT   | THRESHOLD VOLTAGE |
|-----------|-------------------|
| TLV809J25 | 2.25 V            |
| TLV809L30 | 2.64 V            |
| TLV809K33 | 2.93 V            |
| TLV809I50 | 4.55 V            |

**Table 5-2. Device Family Comparison**

| DEVICE | FUNCTION                                     |
|--------|--|
| TLV803 | Open-Drain, $\overline{\text{RESET}}$ Output |
| TLV809 | Push-Pull, $\overline{\text{RESET}}$ Output  |
| TLV810 | Push-Pull, RESET Output                      |

## 6 Pin Configuration and Functions



**Figure 6-1. DBV, DBZ Packages  
3-Pin SOT-23  
Top View**

## Pin Functions

| PIN |                 | I/O | DESCRIPTION   |
|-----|-----------------|-----|---|
| NO. | NAME            |     |   |
| 1   | GND             | —   | Ground pin. This pin must be connected to ground with a low-impedance connection.   |
| 2   | RESET           | O   | $\overline{\text{RESET}}$ pin. $\overline{\text{RESET}}$ is an active low signal, asserting when $V_{\text{DD}}$ is below the threshold voltage. When $V_{\text{DD}}$ rises above $V_{\text{IT}}$ , there is a delay time ( $t_d$ ) until $\overline{\text{RESET}}$ deasserts. $\overline{\text{RESET}}$ is a push-pull output stage. |
| 3   | $V_{\text{DD}}$ | I   | Supply voltage pin. A 0.1- $\mu\text{F}$ ceramic capacitor from this pin to ground is recommended to improve stability of the threshold voltage.  |

## 7 Specifications

### 7.1 Absolute Maximum Ratings

over operating free-air temperature range (unless otherwise noted)<sup>(1)</sup>

|                  |  | MIN  | MAX | UNIT |
|------------------|--|------|-----|------|
| V <sub>DD</sub>  | Supply voltage <sup>(2)</sup>  |      | 6.5 | V    |
|                  | All other pins <sup>(2)</sup>  | -0.3 | 6.5 |      |
| I <sub>OL</sub>  | Maximum low output current   |      | 5   | mA   |
| I <sub>OH</sub>  | Maximum high output current  |      | -5  | mA   |
| I <sub>IK</sub>  | Input clamp current (V <sub>I</sub> < 0 or V <sub>I</sub> > V <sub>DD</sub> )  |      | ±20 | mA   |
| I <sub>OK</sub>  | Output clamp current (V <sub>O</sub> < 0 or V <sub>O</sub> > V <sub>DD</sub> ) |      | ±20 | mA   |
| T <sub>A</sub>   | Operating free-air temperature   | -40  | 85  | °C   |
| T <sub>stg</sub> | Storage temperature  | -65  | 150 | °C   |

- (1) Stresses beyond those listed under *Absolute Maximum Ratings* may cause permanent damage to the device. These are stress ratings only, which do not imply functional operation of the device at these or any other conditions beyond those indicated under *Recommended Operating Conditions*. Exposure to absolute-maximum-rated conditions for extended periods may affect device reliability.
- (2) All voltage values are with respect to GND. For reliable operation, do not operate the device at 6.5 V for more than t = 1000h continuously.

### 7.2 ESD Ratings

|                    |                         |  | VALUE | UNIT |
|--------------------|-------------------------|--|-------|------|
| V <sub>(ESD)</sub> | Electrostatic discharge | Human-body model (HBM), per ANSI/ESDA/JEDEC JS-001 <sup>(1)</sup>              | ±2000 | V    |
|                    |                         | Charged-device model (CDM), per JEDEC specification JESD22-C101 <sup>(2)</sup> | ±500  |      |

- (1) JEDEC document JEP155 states that 500-V HBM allows safe manufacturing with a standard ESD control process.
- (2) JEDEC document JEP157 states that 250-V CDM allows safe manufacturing with a standard ESD control process.

### 7.3 Recommended Operating Conditions

at specified temperature range (unless otherwise noted)

|                 |                                      | MIN | NOM | MAX | UNIT |
|-----------------|--------------------------------------|-----|-----|-----|------|
| V <sub>DD</sub> | Supply voltage                       | 2   |     | 6   | V    |
| C <sub>IN</sub> | V <sub>DD</sub> bypass capacitor     |     | 0.1 |     | µF   |
| T <sub>A</sub>  | Operating free-air temperature range | -40 |     | 85  | °C   |

### 7.4 Thermal Information

| THERMAL METRIC <sup>(1)</sup> |  | TLV809       |              | UNIT |
|-------------------------------|--|--------------|--------------|------|
|                               |  | DBV (SOT-23) | DBZ (SOT-23) |      |
|                               |  | 3 PINS       | 3 PINS       |      |
| R <sub>θJA</sub>              | Junction-to-ambient thermal resistance       | 242.1        | 286.9        | °C/W |
| R <sub>θJC(top)</sub>         | Junction-to-case (top) thermal resistance    | 213.0        | 105.6        | °C/W |
| R <sub>θJB</sub>              | Junction-to-board thermal resistance         | 123.4        | 124.4        | °C/W |
| ψ <sub>JT</sub>               | Junction-to-top characterization parameter   | 45.7         | 25.8         | °C/W |
| ψ <sub>JB</sub>               | Junction-to-board characterization parameter | 130.9        | 107.9        | °C/W |
| R <sub>θJC(bot)</sub>         | Junction-to-case (bottom) thermal resistance | —            | —            | °C/W |

- (1) For more information about traditional and new thermal metrics, see the *Semiconductor and IC Package Thermal Metrics* application report, [SPRA953](#).

## 7.5 Electrical Characteristics

at  $T_A = -40^\circ\text{C}$  to  $+85^\circ\text{C}$  (unless otherwise noted); typical values are at  $T_A = 25^\circ\text{C}$

| PARAMETER                             |   | TEST CONDITIONS   | MIN            | TYP  | MAX  | UNIT          |   |
|---------------------------------------|---|---|----------------|------|------|---------------|---|
| $V_{OH}$                              | High-level output voltage                             | $V_{DD} = 2.5\text{ V to }6\text{ V}, I_{OH} = -500\ \mu\text{A}$ | $V_{DD} - 0.2$ |      |      | V             |   |
|                                       |   | $V_{DD} = 3.3\text{ V}, I_{OH} = -2\text{ mA}$                    | $V_{DD} - 0.4$ |      |      |               |   |
|                                       |   | $V_{DD} = 6\text{ V}, I_{OH} = -4\text{ mA}$                      | $V_{DD} - 0.4$ |      |      |               |   |
| $V_{OL}$                              | Low-level output voltage                              | $V_{DD} = 2\text{ V to }6\text{ V}, I_{OH} = 500\ \mu\text{A}$    | 0.3            |      |      | V             |   |
|                                       |   | $V_{DD} = 3.3\text{ V}, I_{OH} = 2\text{ mA}$                     | 0.4            |      |      |               |   |
|                                       |   | $V_{DD} = 6\text{ V}, I_{OH} = 4\text{ mA}$                       | 0.4            |      |      |               |   |
| Power-up reset voltage <sup>(1)</sup> |   | $V_{DD} \geq 1.1\text{ V}, I_{OL} = 50\ \mu\text{A}$              | 0.2            |      |      | V             |   |
| $V_{IT-}$                             | Negative-going input threshold voltage <sup>(2)</sup> | $T_A = -40^\circ\text{C to }+85^\circ\text{C}$                    | TLV809J25      | 2.20 | 2.25 | 2.30          | V |
|                                       |   |   | TLV809L30      | 2.58 | 2.64 | 2.70          |   |
|                                       |   |   | TLV809K33      | 2.87 | 2.93 | 2.99          |   |
|                                       |   |   | TLV809I50      | 4.45 | 4.55 | 4.65          |   |
| $V_{hys}$                             | Hysteresis  |   | TLV809J25      | 30   |      | mV            |   |
|                                       |   |   | TLV809L30      | 35   |      |               |   |
|                                       |   |   | TLV809K33      | 40   |      |               |   |
|                                       |   |   | TLV809I50      | 60   |      |               |   |
| $I_{DD}$                              | Supply current  | $V_{DD} = 2\text{ V}, \overline{\text{RESET}}$ is unconnected     | 9              |      | 12   | $\mu\text{A}$ |   |
|                                       |   | $V_{DD} = 6\text{ V}, \overline{\text{RESET}}$ is unconnected     | 20             |      | 25   |               |   |
| $C_I$                                 | Input capacitance                                     | $V_I = 0\text{ V to }V_{DD}$                                      | 5              |      |      | pF            |   |

(1) The lowest supply voltage at which  $\overline{\text{RESET}}$  becomes active.  $t_r, V_{DD} \geq 15\text{ ms/V}$ .

(2) To ensure best stability of the threshold voltage, place a bypass capacitor (0.1- $\mu\text{F}$  ceramic) near the supply pins.

## 7.6 Timing Requirements

at  $T_A = 25^\circ\text{C}$ ,  $R_L = 1\text{ M}\Omega$ , and  $C_L = 50\text{ pF}$

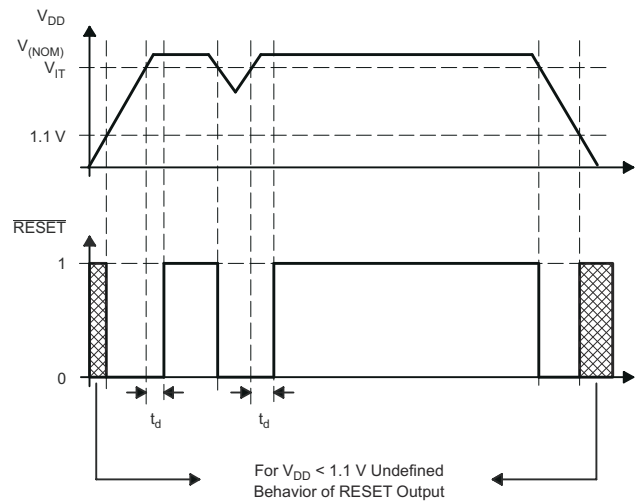
|       |                            | MIN  | NOM | MAX | UNIT          |
|-------|----------------------------|--|-----|-----|---------------|
| $t_w$ | Pulse duration at $V_{DD}$ | $V_{DD} = V_{IT-} + 0.2\text{ V}, V_{DD} = V_{IT-} - 0.2\text{ V}$ |     | 10  | $\mu\text{s}$ |

## 7.7 Switching Characteristics

at  $T_A = 25^\circ\text{C}$ ,  $R_L = 1\text{ M}\Omega$ , and  $C_L = 50\text{ pF}$

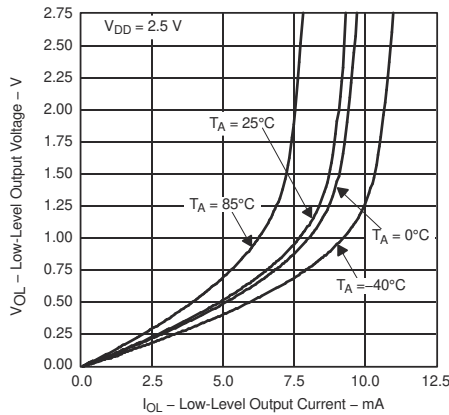
| PARAMETER |  | TEST CONDITIONS   | MIN | TYP | MAX | UNIT          |
|-----------|--|---|-----|-----|-----|---------------|
| $t_d$     | Delay time   | $V_{DD} \geq V_{IT-} + 0.2\text{ V}$ ; see <a href="#">Figure 7-1</a>   | 120 | 200 | 280 | ms            |
| $t_{PHL}$ | Propagation (delay) time, high-to-low-level output | $V_{DD}$ to $\overline{\text{RESET}}$ delay<br>$V_{IL} = V_{IT-} - 0.2\text{ V}, V_{IH} = V_{IT-} + 0.2\text{ V}$ | 10  |     |     | $\mu\text{s}$ |

## 7.8 Timing Diagrams

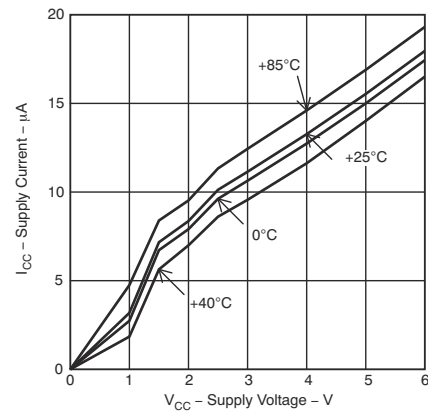


**Figure 7-1. Timing Diagram**

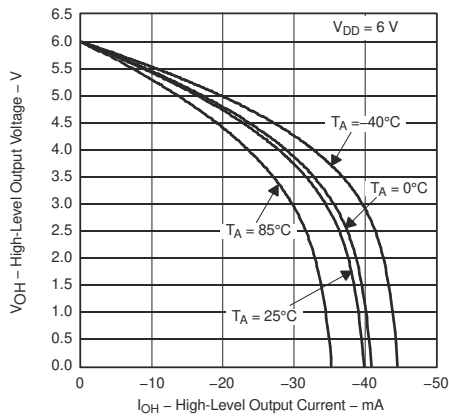
### 7.9 Typical Characteristics



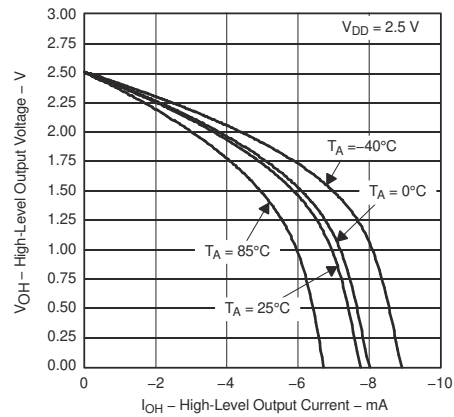
**Figure 7-2. Low-Level Output Voltage vs Low-Level Output Current**



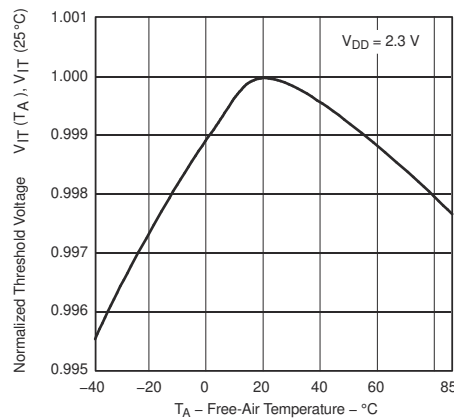
**Figure 7-3. Supply Current vs Supply Voltage**



**Figure 7-4. High-Level Output Voltage vs High-Level Output Current**



**Figure 7-5. High-Level Output Voltage vs High-Level Output Current**



**Figure 7-6. Normalized Input Threshold Voltage vs Free-Air Temperature at V<sub>DD</sub>**

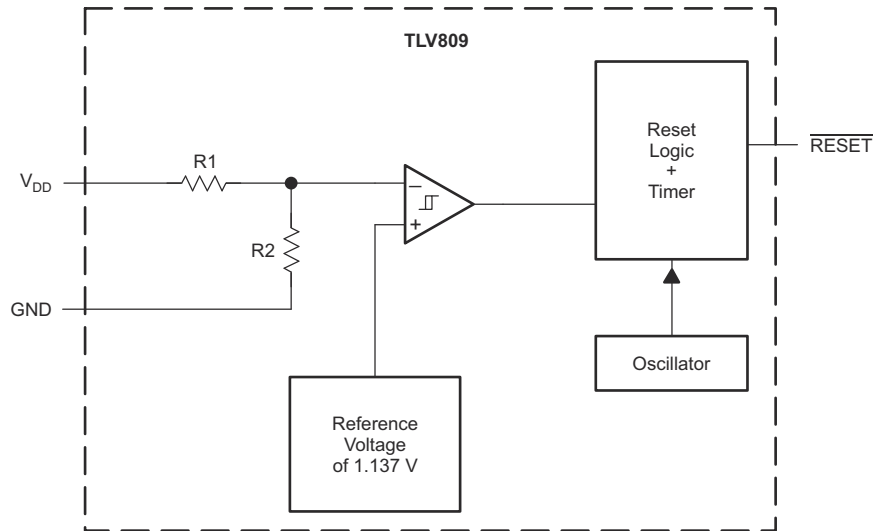


## 8 Detailed Description

### 8.1 Overview

The TLV809 is a 3-pin voltage detector with fixed detection thresholds, an active-low push-pull  $\overline{\text{RESET}}$  output, and an internal timer to delay the  $\overline{\text{RESET}}$  signal when  $V_{\text{DD}}$  rises above the threshold voltage.

### 8.2 Functional Block Diagram



### 8.3 Feature Description

#### 8.3.1 Supply Voltage Monitoring

The device actively monitors its supply voltage to ensure that the power supply is above a certain voltage threshold.

The device offers various fixed threshold options that are approximately 10% below several standard supply voltages (2.5 V, 3.0 V, 3.3 V, 5.0 V).

#### 8.3.2 $\overline{\text{RESET}}$ Output

The device has a  $\overline{\text{RESET}}$  output to indicate the status of the input power supply.

$\overline{\text{RESET}}$  is an active low signal, asserting when  $V_{\text{DD}}$  is below the threshold voltage. When  $V_{\text{DD}}$  rises above  $V_{\text{IT}}$ , there is a delay time ( $t_d$ ) until  $\overline{\text{RESET}}$  deasserts.

$\overline{\text{RESET}}$  is a push-pull output stage.

### 8.4 Device Functional Modes

When the input supply voltage is in its recommended operating range (2 V to 6 V), the device is in a normal operational mode. In normal operational mode the device monitors  $V_{\text{DD}}$  for undervoltage detection.

When the input supply is below its recommended operating range, the device is in shutdown mode and therefore tries to assert  $\overline{\text{RESET}}$ .

## 9 Application and Implementation

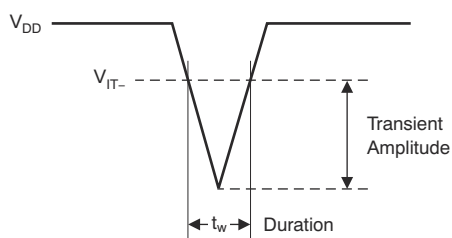
### Note

Information in the following applications sections is not part of the TI component specification, and TI does not warrant its accuracy or completeness. TI's customers are responsible for determining suitability of components for their purposes, as well as validating and testing their design implementation to confirm system functionality.

### 9.1 Application Information

#### 9.1.1 $V_{DD}$ Transient Rejection

The device has built-in rejection of fast transients on the  $V_{DD}$  pin. The rejection of transients depends on both the duration and the amplitude of the transient. The amplitude of the transient is measured from the bottom of the transient to the negative threshold voltage of the device, as shown in Figure 9-1.

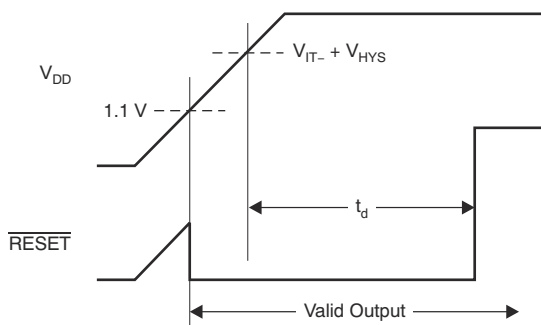


**Figure 9-1. Voltage Transient Measurement**

The device does not respond to transients that are fast duration and low amplitude or long duration and small amplitude. Transients meeting or longer than the  $t_w$  specified in the Section 7.6 section triggers a reset.

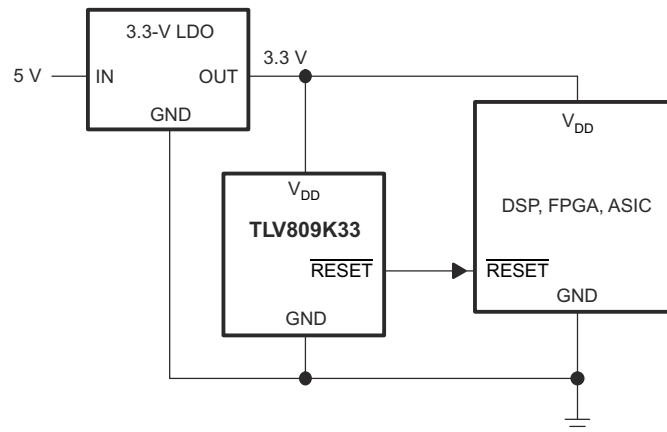
#### 9.1.2 Reset During Power-Up and Power-Down

The device output is valid when  $V_{DD}$  is greater than 1.1 V. When  $V_{DD}$  is less than 1.1 V, the output transistor turns off and becomes high impedance. The voltage on the  $\overline{\text{RESET}}$  pin rises to the voltage level connected to the pullup resistor. Figure 9-2 shows a typical waveform for power-up.



**Figure 9-2. Power-Up Response**

## 9.2 Typical Application



**Figure 9-3. Monitoring a 3.3-V Supply**

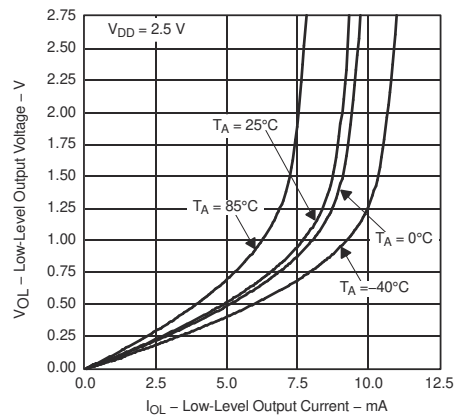
### 9.2.1 Design Requirements

The device must ensure that the supply voltage does not drop more than 15% below 3.3 V. If the supply voltage falls below 3.3 V – 15%, then the load must be disabled.

### 9.2.2 Detailed Design Procedure

The TLV809K33 is selected to ensure that  $V_{DD}$  is greater than 2.87 V when the load is enabled.

### 9.2.3 Application Curve



**Figure 9-4. Low-Level Output Voltage vs Low-Level Output Current**

## 10 Power Supply Recommendations

Power the device with a low-impedance supply. A 0.1- $\mu$ F bypass capacitor from  $V_{DD}$  to ground is recommended.

## 11 Layout

### 11.1 Layout Guidelines

Place the device near the load for the input power supply, with a low-impedance connection to the power supply pins of the load to sense the supply voltage.

### 11.2 Layout Example

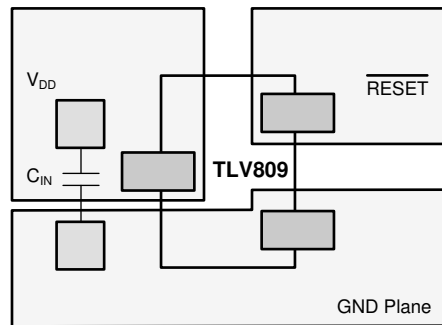


Figure 11-1. Example Layout

## 12 Device and Documentation Support

### 12.1 Documentation Support

#### 12.1.1 Related Documentation

TLV803 Data Sheet, [SBVS157](#)

TLV810 Data Sheet, [SBVS158](#)

### 12.2 Support Resources

[TI E2E™ support forums](#) are an engineer's go-to source for fast, verified answers and design help — straight from the experts. Search existing answers or ask your own question to get the quick design help you need.

Linked content is provided "AS IS" by the respective contributors. They do not constitute TI specifications and do not necessarily reflect TI's views; see TI's [Terms of Use](#).

### 12.3 Trademarks

TI E2E™ is a trademark of Texas Instruments.

All trademarks are the property of their respective owners.

### 12.4 Electrostatic Discharge Caution



This integrated circuit can be damaged by ESD. Texas Instruments recommends that all integrated circuits be handled with appropriate precautions. Failure to observe proper handling and installation procedures can cause damage.

ESD damage can range from subtle performance degradation to complete device failure. Precision integrated circuits may be more susceptible to damage because very small parametric changes could cause the device not to meet its published specifications.

### 12.5 Glossary

[TI Glossary](#) This glossary lists and explains terms, acronyms, and definitions.

## 13 Mechanical, Packaging, and Orderable Information

The following pages include mechanical, packaging, and orderable information. This information is the most current data available for the designated devices. This data is subject to change without notice and revision of this document. For browser-based versions of this data sheet, refer to the left-hand navigation.

**PACKAGING INFORMATION**

| Orderable Device | Status<br>(1) | Package Type | Package Drawing | Pins | Package Qty | Eco Plan<br>(2) | Lead finish/<br>Ball material<br>(6) | MSL Peak Temp<br>(3) | Op Temp (°C) | Device Marking<br>(4/5) | Samples                 |
|------------------|---------------|--------------|-----------------|------|-------------|-----------------|--------------------------------------|----------------------|--------------|-------------------------|-------------------------|
| TLV809I50DBVR    | ACTIVE        | SOT-23       | DBV             | 3    | 3000        | RoHS & Green    | NIPDAU                               | Level-1-260C-UNLIM   | -40 to 85    | VTBI                    | <a href="#">Samples</a> |
| TLV809I50DBVT    | ACTIVE        | SOT-23       | DBV             | 3    | 250         | RoHS & Green    | NIPDAU                               | Level-1-260C-UNLIM   | -40 to 85    | VTBI                    | <a href="#">Samples</a> |
| TLV809I50DBZR    | ACTIVE        | SOT-23       | DBZ             | 3    | 3000        | RoHS & Green    | SN                                   | Level-1-260C-UNLIM   | -40 to 85    | BCMV                    | <a href="#">Samples</a> |
| TLV809I50DBZT    | ACTIVE        | SOT-23       | DBZ             | 3    | 250         | RoHS & Green    | SN                                   | Level-1-260C-UNLIM   | -40 to 85    | BCMV                    | <a href="#">Samples</a> |
| TLV809J25DBVR    | ACTIVE        | SOT-23       | DBV             | 3    | 3000        | RoHS & Green    | NIPDAU                               | Level-1-260C-UNLIM   | -40 to 85    | VTCI                    | <a href="#">Samples</a> |
| TLV809J25DBVT    | ACTIVE        | SOT-23       | DBV             | 3    | 250         | RoHS & Green    | NIPDAU                               | Level-1-260C-UNLIM   | -40 to 85    | VTCI                    | <a href="#">Samples</a> |
| TLV809J25DBZR    | ACTIVE        | SOT-23       | DBZ             | 3    | 3000        | RoHS & Green    | SN                                   | Level-1-260C-UNLIM   | -40 to 85    | BCMT                    | <a href="#">Samples</a> |
| TLV809J25DBZT    | ACTIVE        | SOT-23       | DBZ             | 3    | 250         | RoHS & Green    | NIPDAUAG   SN                        | Level-1-260C-UNLIM   | -40 to 85    | BCMT                    | <a href="#">Samples</a> |
| TLV809K33DBVR    | ACTIVE        | SOT-23       | DBV             | 3    | 3000        | RoHS & Green    | NIPDAU                               | Level-1-260C-UNLIM   | -40 to 85    | VTRI                    | <a href="#">Samples</a> |
| TLV809K33DBVT    | ACTIVE        | SOT-23       | DBV             | 3    | 250         | RoHS & Green    | NIPDAU                               | Level-1-260C-UNLIM   | -40 to 85    | VTRI                    | <a href="#">Samples</a> |
| TLV809K33DBZR    | ACTIVE        | SOT-23       | DBZ             | 3    | 3000        | RoHS & Green    | SN                                   | Level-1-260C-UNLIM   | -40 to 85    | BCMXX                   | <a href="#">Samples</a> |
| TLV809K33DBZT    | ACTIVE        | SOT-23       | DBZ             | 3    | 250         | RoHS & Green    | SN                                   | Level-1-260C-UNLIM   | -40 to 85    | BCMXX                   | <a href="#">Samples</a> |
| TLV809L30DBVR    | ACTIVE        | SOT-23       | DBV             | 3    | 3000        | RoHS & Green    | NIPDAU                               | Level-1-260C-UNLIM   | -40 to 85    | VTXI                    | <a href="#">Samples</a> |
| TLV809L30DBVT    | ACTIVE        | SOT-23       | DBV             | 3    | 250         | RoHS & Green    | NIPDAU                               | Level-1-260C-UNLIM   | -40 to 85    | VTXI                    | <a href="#">Samples</a> |
| TLV809L30DBZR    | ACTIVE        | SOT-23       | DBZ             | 3    | 3000        | RoHS & Green    | SN                                   | Level-1-260C-UNLIM   | -40 to 85    | BCMZZ                   | <a href="#">Samples</a> |
| TLV809L30DBZT    | ACTIVE        | SOT-23       | DBZ             | 3    | 250         | RoHS & Green    | SN                                   | Level-1-260C-UNLIM   | -40 to 85    | BCMZZ                   | <a href="#">Samples</a> |

(1) The marketing status values are defined as follows:

**ACTIVE:** Product device recommended for new designs.

**LIFEBUY:** TI has announced that the device will be discontinued, and a lifetime-buy period is in effect.

**NRND:** Not recommended for new designs. Device is in production to support existing customers, but TI does not recommend using this part in a new design.

**PREVIEW:** Device has been announced but is not in production. Samples may or may not be available.

**OBSELETE:** TI has discontinued the production of the device.

(2) **RoHS:** TI defines "RoHS" to mean semiconductor products that are compliant with the current EU RoHS requirements for all 10 RoHS substances, including the requirement that RoHS substance do not exceed 0.1% by weight in homogeneous materials. Where designed to be soldered at high temperatures, "RoHS" products are suitable for use in specified lead-free processes. TI may reference these types of products as "Pb-Free".

**RoHS Exempt:** TI defines "RoHS Exempt" to mean products that contain lead but are compliant with EU RoHS pursuant to a specific EU RoHS exemption.

**Green:** TI defines "Green" to mean the content of Chlorine (Cl) and Bromine (Br) based flame retardants meet JS709B low halogen requirements of  $\leq 1000$ ppm threshold. Antimony trioxide based flame retardants must also meet the  $\leq 1000$ ppm threshold requirement.

(3) MSL, Peak Temp. - The Moisture Sensitivity Level rating according to the JEDEC industry standard classifications, and peak solder temperature.

(4) There may be additional marking, which relates to the logo, the lot trace code information, or the environmental category on the device.

(5) Multiple Device Markings will be inside parentheses. Only one Device Marking contained in parentheses and separated by a "~" will appear on a device. If a line is indented then it is a continuation of the previous line and the two combined represent the entire Device Marking for that device.

(6) Lead finish/Ball material - Orderable Devices may have multiple material finish options. Finish options are separated by a vertical ruled line. Lead finish/Ball material values may wrap to two lines if the finish value exceeds the maximum column width.

**Important Information and Disclaimer:** The information provided on this page represents TI's knowledge and belief as of the date that it is provided. TI bases its knowledge and belief on information provided by third parties, and makes no representation or warranty as to the accuracy of such information. Efforts are underway to better integrate information from third parties. TI has taken and continues to take reasonable steps to provide representative and accurate information but may not have conducted destructive testing or chemical analysis on incoming materials and chemicals. TI and TI suppliers consider certain information to be proprietary, and thus CAS numbers and other limited information may not be available for release.

In no event shall TI's liability arising out of such information exceed the total purchase price of the TI part(s) at issue in this document sold by TI to Customer on an annual basis.

## TAPE AND REEL INFORMATION



### QUADRANT ASSIGNMENTS FOR PIN 1 ORIENTATION IN TAPE



\*All dimensions are nominal

| Device        | Package Type | Package Drawing | Pins | SPQ  | Reel Diameter (mm) | Reel Width W1 (mm) | A0 (mm) | B0 (mm) | K0 (mm) | P1 (mm) | W (mm) | Pin1 Quadrant |
|---------------|--------------|-----------------|------|------|--------------------|--------------------|---------|---------|---------|---------|--------|---------------|
| TLV809I50DBVR | SOT-23       | DBV             | 3    | 3000 | 178.0              | 9.0                | 3.3     | 3.2     | 1.4     | 4.0     | 8.0    | Q3            |
| TLV809I50DBVT | SOT-23       | DBV             | 3    | 250  | 178.0              | 9.0                | 3.3     | 3.2     | 1.4     | 4.0     | 8.0    | Q3            |
| TLV809I50DBZR | SOT-23       | DBZ             | 3    | 3000 | 178.0              | 9.0                | 3.15    | 2.77    | 1.22    | 4.0     | 8.0    | Q3            |
| TLV809I50DBZT | SOT-23       | DBZ             | 3    | 250  | 178.0              | 9.0                | 3.15    | 2.77    | 1.22    | 4.0     | 8.0    | Q3            |
| TLV809J25DBVR | SOT-23       | DBV             | 3    | 3000 | 178.0              | 9.0                | 3.3     | 3.2     | 1.4     | 4.0     | 8.0    | Q3            |
| TLV809J25DBVT | SOT-23       | DBV             | 3    | 250  | 178.0              | 9.0                | 3.3     | 3.2     | 1.4     | 4.0     | 8.0    | Q3            |
| TLV809J25DBZR | SOT-23       | DBZ             | 3    | 3000 | 178.0              | 9.0                | 3.15    | 2.77    | 1.22    | 4.0     | 8.0    | Q3            |
| TLV809J25DBZT | SOT-23       | DBZ             | 3    | 250  | 178.0              | 9.0                | 3.15    | 2.77    | 1.22    | 4.0     | 8.0    | Q3            |
| TLV809K33DBVR | SOT-23       | DBV             | 3    | 3000 | 178.0              | 9.0                | 3.3     | 3.2     | 1.4     | 4.0     | 8.0    | Q3            |
| TLV809K33DBVT | SOT-23       | DBV             | 3    | 250  | 178.0              | 9.0                | 3.3     | 3.2     | 1.4     | 4.0     | 8.0    | Q3            |
| TLV809K33DBZR | SOT-23       | DBZ             | 3    | 3000 | 178.0              | 9.0                | 3.15    | 2.77    | 1.22    | 4.0     | 8.0    | Q3            |
| TLV809K33DBZT | SOT-23       | DBZ             | 3    | 250  | 178.0              | 9.0                | 3.15    | 2.77    | 1.22    | 4.0     | 8.0    | Q3            |
| TLV809L30DBVR | SOT-23       | DBV             | 3    | 3000 | 178.0              | 9.0                | 3.3     | 3.2     | 1.4     | 4.0     | 8.0    | Q3            |
| TLV809L30DBVT | SOT-23       | DBV             | 3    | 250  | 178.0              | 9.0                | 3.3     | 3.2     | 1.4     | 4.0     | 8.0    | Q3            |
| TLV809L30DBZR | SOT-23       | DBZ             | 3    | 3000 | 178.0              | 9.0                | 3.15    | 2.77    | 1.22    | 4.0     | 8.0    | Q3            |
| TLV809L30DBZT | SOT-23       | DBZ             | 3    | 250  | 178.0              | 9.0                | 3.15    | 2.77    | 1.22    | 4.0     | 8.0    | Q3            |



**TAPE AND REEL BOX DIMENSIONS**


\*All dimensions are nominal

| Device        | Package Type | Package Drawing | Pins | SPQ  | Length (mm) | Width (mm) | Height (mm) |
|---------------|--------------|-----------------|------|------|-------------|------------|-------------|
| TLV809I50DBVR | SOT-23       | DBV             | 3    | 3000 | 180.0       | 180.0      | 18.0        |
| TLV809I50DBVT | SOT-23       | DBV             | 3    | 250  | 180.0       | 180.0      | 18.0        |
| TLV809I50DBZR | SOT-23       | DBZ             | 3    | 3000 | 180.0       | 180.0      | 18.0        |
| TLV809I50DBZT | SOT-23       | DBZ             | 3    | 250  | 180.0       | 180.0      | 18.0        |
| TLV809J25DBVR | SOT-23       | DBV             | 3    | 3000 | 180.0       | 180.0      | 18.0        |
| TLV809J25DBVT | SOT-23       | DBV             | 3    | 250  | 180.0       | 180.0      | 18.0        |
| TLV809J25DBZR | SOT-23       | DBZ             | 3    | 3000 | 180.0       | 180.0      | 18.0        |
| TLV809J25DBZT | SOT-23       | DBZ             | 3    | 250  | 180.0       | 180.0      | 18.0        |
| TLV809K33DBVR | SOT-23       | DBV             | 3    | 3000 | 180.0       | 180.0      | 18.0        |
| TLV809K33DBVT | SOT-23       | DBV             | 3    | 250  | 180.0       | 180.0      | 18.0        |
| TLV809K33DBZR | SOT-23       | DBZ             | 3    | 3000 | 180.0       | 180.0      | 18.0        |
| TLV809K33DBZT | SOT-23       | DBZ             | 3    | 250  | 180.0       | 180.0      | 18.0        |
| TLV809L30DBVR | SOT-23       | DBV             | 3    | 3000 | 180.0       | 180.0      | 18.0        |
| TLV809L30DBVT | SOT-23       | DBV             | 3    | 250  | 180.0       | 180.0      | 18.0        |
| TLV809L30DBZR | SOT-23       | DBZ             | 3    | 3000 | 180.0       | 180.0      | 18.0        |
| TLV809L30DBZT | SOT-23       | DBZ             | 3    | 250  | 180.0       | 180.0      | 18.0        |

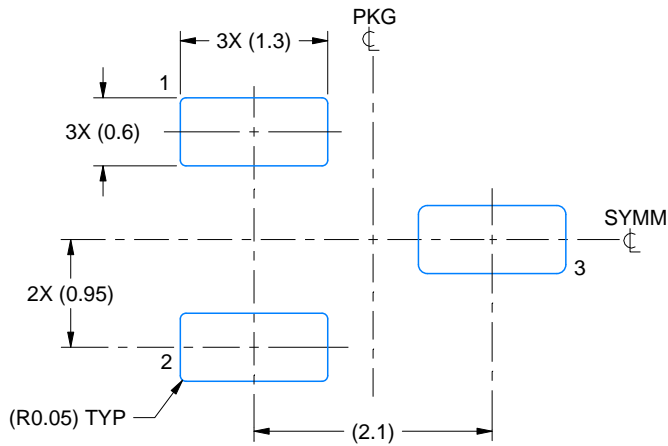


# EXAMPLE BOARD LAYOUT

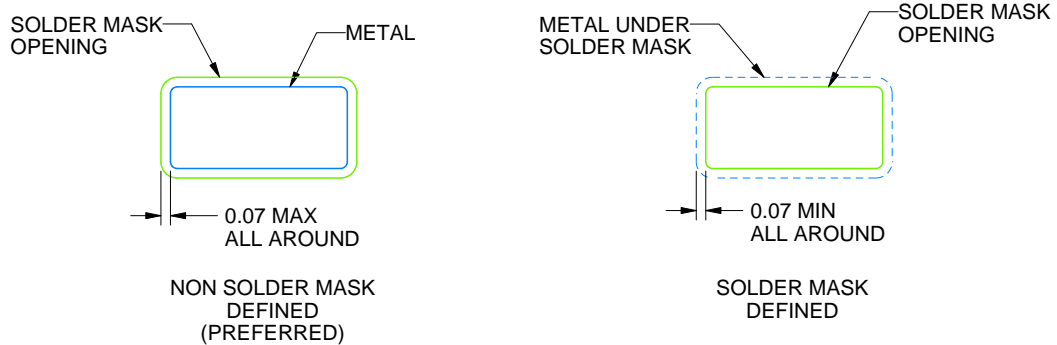
DBZ0003A

SOT-23 - 1.12 mm max height

SMALL OUTLINE TRANSISTOR



LAND PATTERN EXAMPLE  
SCALE:15X



SOLDER MASK DETAILS

4214838/D 03/2023

NOTES: (continued)

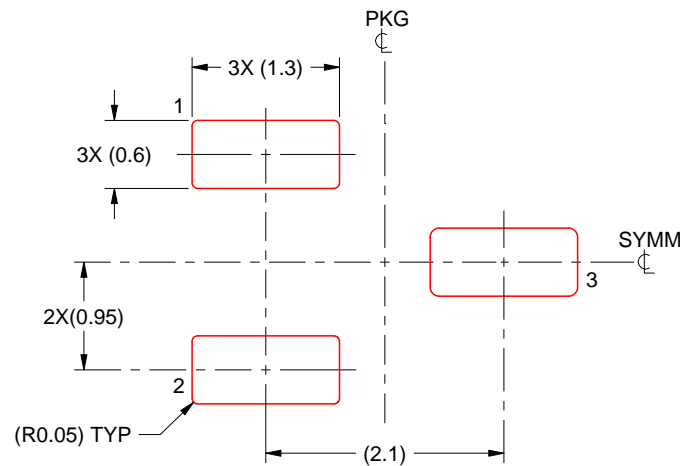
- 4. Publication IPC-7351 may have alternate designs.
- 5. Solder mask tolerances between and around signal pads can vary based on board fabrication site.

# EXAMPLE STENCIL DESIGN

DBZ0003A

SOT-23 - 1.12 mm max height

SMALL OUTLINE TRANSISTOR



SOLDER PASTE EXAMPLE  
BASED ON 0.125 THICK STENCIL  
SCALE:15X

4214838/D 03/2023

NOTES: (continued)

6. Laser cutting apertures with trapezoidal walls and rounded corners may offer better paste release. IPC-7525 may have alternate design recommendations.
7. Board assembly site may have different recommendations for stencil design.

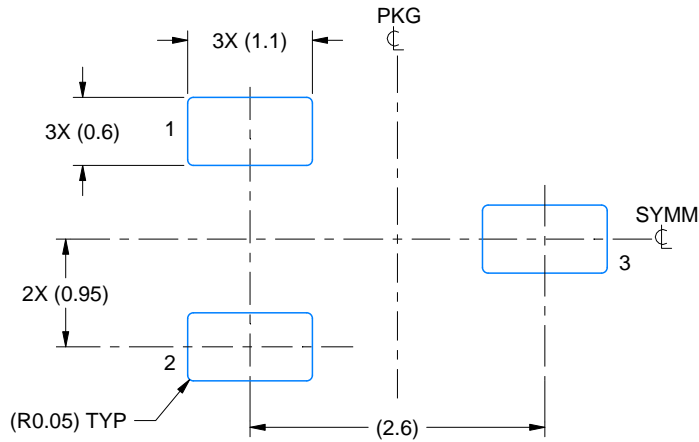


# EXAMPLE BOARD LAYOUT

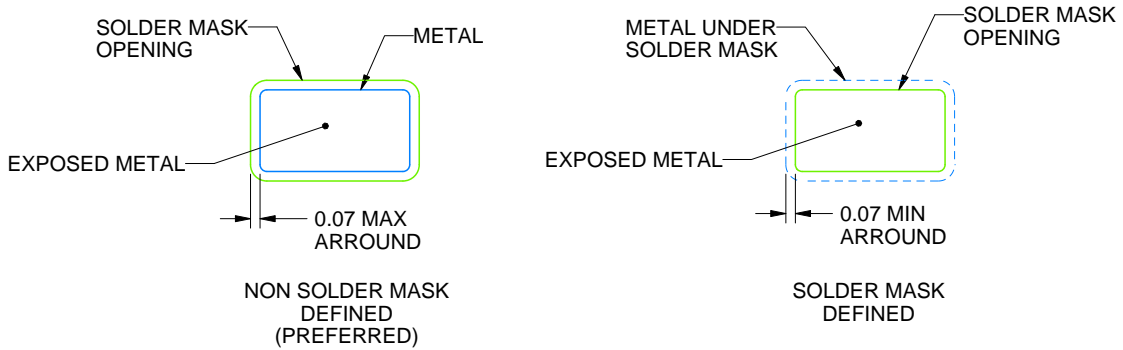
DBV0003A

SOT-23 - 1.45 mm max height

SMALL OUTLINE TRANSISTOR



LAND PATTERN EXAMPLE  
EXPOSED METAL SHOWN  
SCALE:15X



SOLDER MASK DETAILS

4220743/B 03/2023

NOTES: (continued)

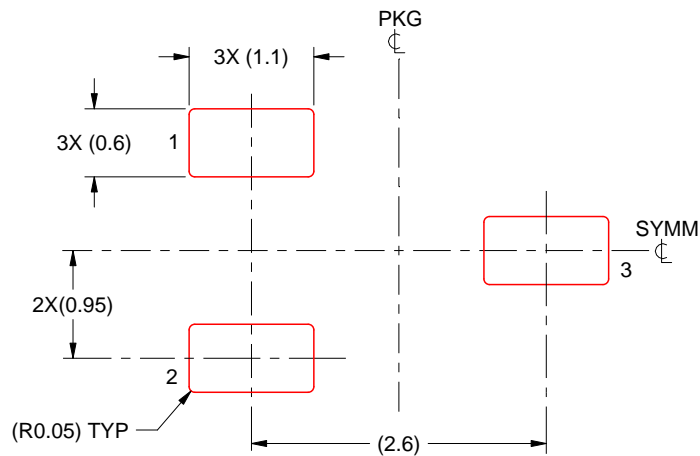
- 6. Publication IPC-7351 may have alternate designs.
- 7. Solder mask tolerances between and around signal pads can vary based on board fabrication site.

# EXAMPLE STENCIL DESIGN

DBV0003A

SOT-23 - 1.45 mm max height

SMALL OUTLINE TRANSISTOR



SOLDER PASTE EXAMPLE  
BASED ON 0.125 mm THICK STENCIL  
SCALE:15X

4220743/B 03/2023

NOTES: (continued)

8. Laser cutting apertures with trapezoidal walls and rounded corners may offer better paste release. IPC-7525 may have alternate design recommendations.
9. Board assembly site may have different recommendations for stencil design.

## IMPORTANT NOTICE AND DISCLAIMER

TI PROVIDES TECHNICAL AND RELIABILITY DATA (INCLUDING DATA SHEETS), DESIGN RESOURCES (INCLUDING REFERENCE DESIGNS), APPLICATION OR OTHER DESIGN ADVICE, WEB TOOLS, SAFETY INFORMATION, AND OTHER RESOURCES "AS IS" AND WITH ALL FAULTS, AND DISCLAIMS ALL WARRANTIES, EXPRESS AND IMPLIED, INCLUDING WITHOUT LIMITATION ANY IMPLIED WARRANTIES OF MERCHANTABILITY, FITNESS FOR A PARTICULAR PURPOSE OR NON-INFRINGEMENT OF THIRD PARTY INTELLECTUAL PROPERTY RIGHTS.

These resources are intended for skilled developers designing with TI products. You are solely responsible for (1) selecting the appropriate TI products for your application, (2) designing, validating and testing your application, and (3) ensuring your application meets applicable standards, and any other safety, security, regulatory or other requirements.

These resources are subject to change without notice. TI grants you permission to use these resources only for development of an application that uses the TI products described in the resource. Other reproduction and display of these resources is prohibited. No license is granted to any other TI intellectual property right or to any third party intellectual property right. TI disclaims responsibility for, and you will fully indemnify TI and its representatives against, any claims, damages, costs, losses, and liabilities arising out of your use of these resources.

TI's products are provided subject to [TI's Terms of Sale](#) or other applicable terms available either on [ti.com](https://www.ti.com) or provided in conjunction with such TI products. TI's provision of these resources does not expand or otherwise alter TI's applicable warranties or warranty disclaimers for TI products.

TI objects to and rejects any additional or different terms you may have proposed.

Mailing Address: Texas Instruments, Post Office Box 655303, Dallas, Texas 75265  
Copyright © 2023, Texas Instruments Incorporated