

## GC5328 Low-Power Wideband Digital Predistortion Transmit Processor

 Check for Samples: [GC5328](#)

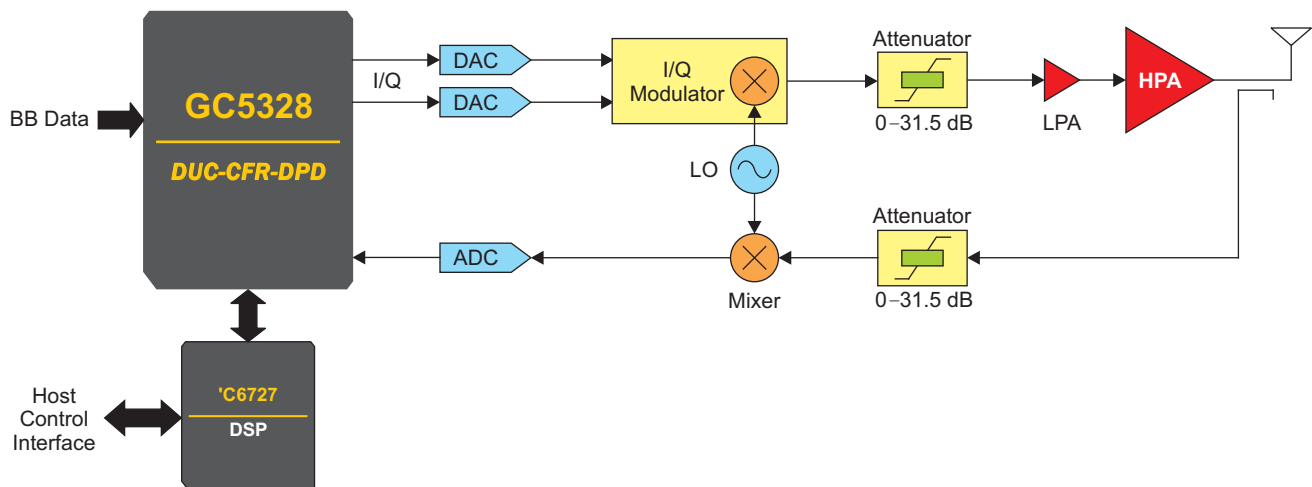
### FEATURES

- Integrated DUC, CFR, and DPD Solution
- 20-MHz Max. Signal Bandwidth, Based on Max. DPD Clock of 200 Mhz, Fifth-Order Correction
- DUC: Up to 12 CDMA2000/TDSCDMA, 4 W-CDMA, 2–10 MHz or 1–20 MHz OFDMA Carriers
- CFR: Typically Meets 3GPP TS 25.141 < 6.5 dB PAR, < 8.5 dB PAR for OFDMA Signals
- DPD: Short-Term Memory Compensation, Typical ACLR Improvement > 20 dB
- GC5328IZER PBGA Package, 23 mm × 23 mm
- 1.2-V Core, 1.8-V HSTL, 3.3-V I/O
- 2.5-W Typical Power Consumption

- TMS320C6727 DPD Optimization Software
- Supports Direct Interface to TI High-Speed Data Converters

### APPLICATIONS

- 3 GPP (W-CDMA) Base Stations
- 3 GPP2 (CDMA2000) Base Stations
- WiMAX, WiBRO, and LTE (OFDMA) Base Stations
- Multicarrier Power Amplifiers (MCPAs)



B0278-03

**Figure 1. GC5328 System Block Diagram**

### DESCRIPTION

The GC5328 is a lower-power version of the GC5322 wideband digital predistortion transmit processor. The GC5328 includes a digital upconverter (DUC) block, a crest factor reduction (CFR) block, a digital predistortion (DPD) block, feedback (FB) block, and capture buffer (CB) blocks.

The GC5328 GPP block receives the interleaved IQ data from the baseband input. The individual IQ channels are gain-adjusted in the GPP and routed to the DUC. The GPP and DUC can be bypassed to input a combined IQ signal. The DUC provides three stages of interpolation and a complex mixer. There are two DUC blocks. The output from the DUC blocks is combined in the sum chain. Each of the 1 to 12 DUC channels can be summed, and the composite signal can be scaled.



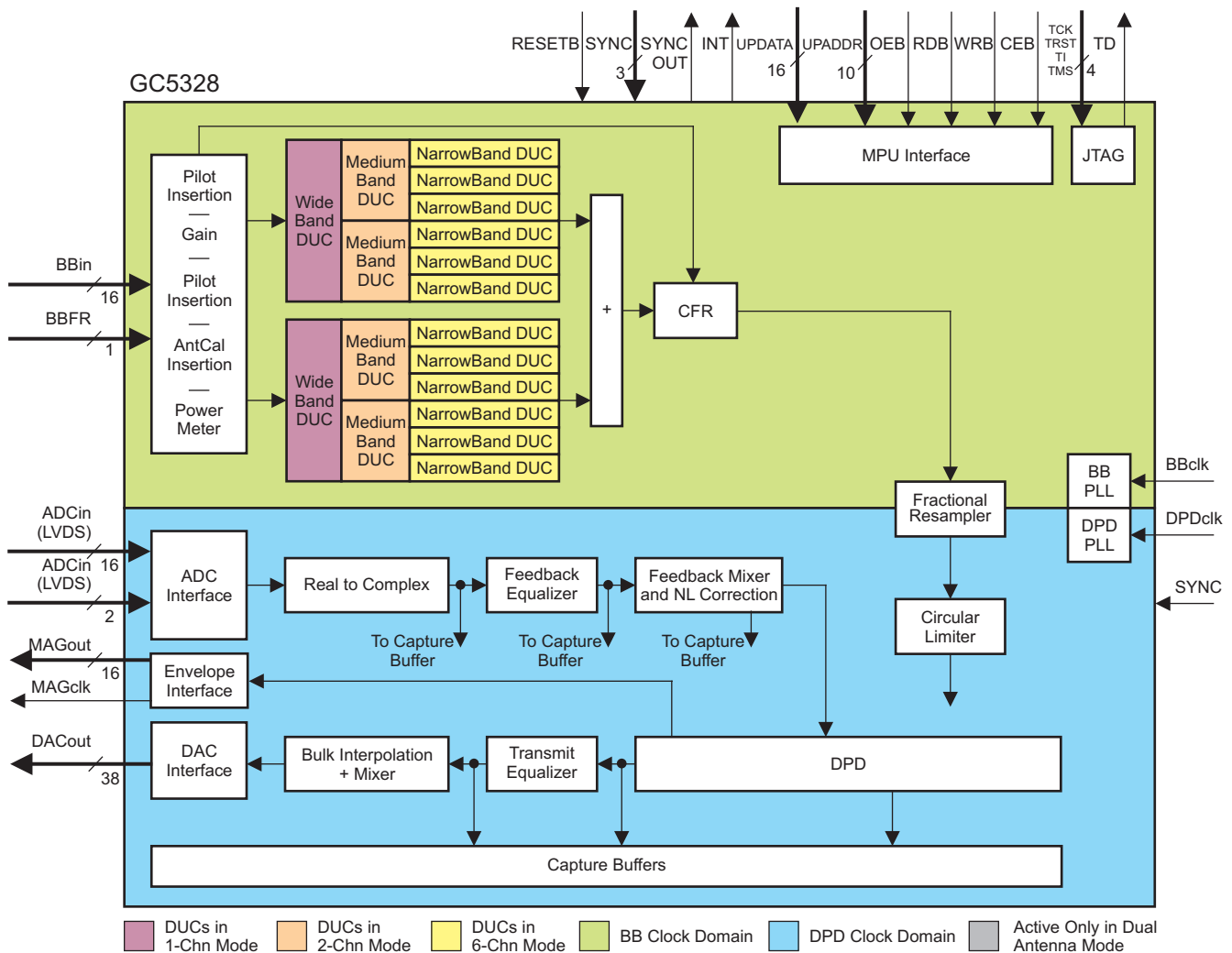
Please be aware that an important notice concerning availability, standard warranty, and use in critical applications of Texas Instruments semiconductor products and disclaimers thereto appears at the end of this data sheet.

The CFR block has four serial stages of peak detection and cancellation. The CFR block cancellation filter can be programmed as real or complex. The CFR peak-reduced output is routed to the Farrow resampler. The Farrow resampler resamples the CFR output to the DPD clock rate. The Farrow resampler block also has a complex mixer for composite carrier frequency offset.

The DPD subsystem has a circular limiter, nonlinear DPD correction, and a transmit equalizer. The DPD correction can reduce the follow-on circuitry distortion products. The DPD output is sent to the BUC. The BUC provides a post-DPD interpolation, and also provides a complex mixer for frequency offset. The DAC interface converts the BUC signal output to the interleaved IQ or parallel IQ output signals for the DAC5682Z or DAC5688.

The CB block captures the selected internal reference signal, and the feedback block in two up to 4K capture buffers. The signal capture can be based on an externally timed event (standard capture buffer), delay after a timed event, or signal statistics (smart capture buffer). Normally the DPD input and feedback output are selected. The capture buffers are stored and read by the microprocessor.

The FB block receives the LVDS ADC information and performs signal processing to downconvert the received signal to OIF. The FB block also has a feedback-path receive equalizer.



B0279-03

Figure 2. GC5328 Functional Block Diagram

**AVAILABLE OPTIONS**

| T <sub>c</sub> | PACKAGED DEVICE                      |
|----------------|--------------------------------------|
|                | 484-Ball PBGA Package, 23 mm x 23 mm |
| -40°C to 85°C  | GC5328IZER                           |

**REFERENCES**

- GC532x Architecture Datasheet (NDA, obtain through local TI field application engineer)
- GC5328 EVM User Guide, Schematic Diagram (obtain through local TI field application engineer)
- GC5325 EVM User Guide, Schematic Diagram TI Web site under GC5325
- GC5322 DPD Host Interface Guide (obtain through local TI Field Application Engineer)
- GC5328 configuration (obtain through local TI Field Application Engineer)
- DSP – TMS320C672x DSP Universal Host Port Interface Reference Guide ([SPRU719](#))
- DSP – TMS320C672x DSP External Memory Interface (EMIF) User's Guide ([SPRU711](#))

**GC5328 INTRODUCTION**

The GC5328 is a flexible transmit sector processor that includes a digital upconverter (DUC) block, a crest factor reduction (CFR) block, and a digital predistortion (DPD) block and its associated feedback chain. The GC5328 processes composite input bandwidths of up to 20 MHz and processes DPD expansion bandwidths of up to 100 MHz. By reducing both the peak-to-average ratio (PAR) of the input signals using the CFR block and linearizing the power amplifier (PA) using the DPD block, the GC5328 reduces the costs of multicarrier PAs (MCPA) for wireless infrastructure applications. The GC5328 applies CFR and DPD while a separate microprocessor (a Texas Instruments TMS320C6727 DSP) is used to optimize performance levels and maintain target PA performance levels.

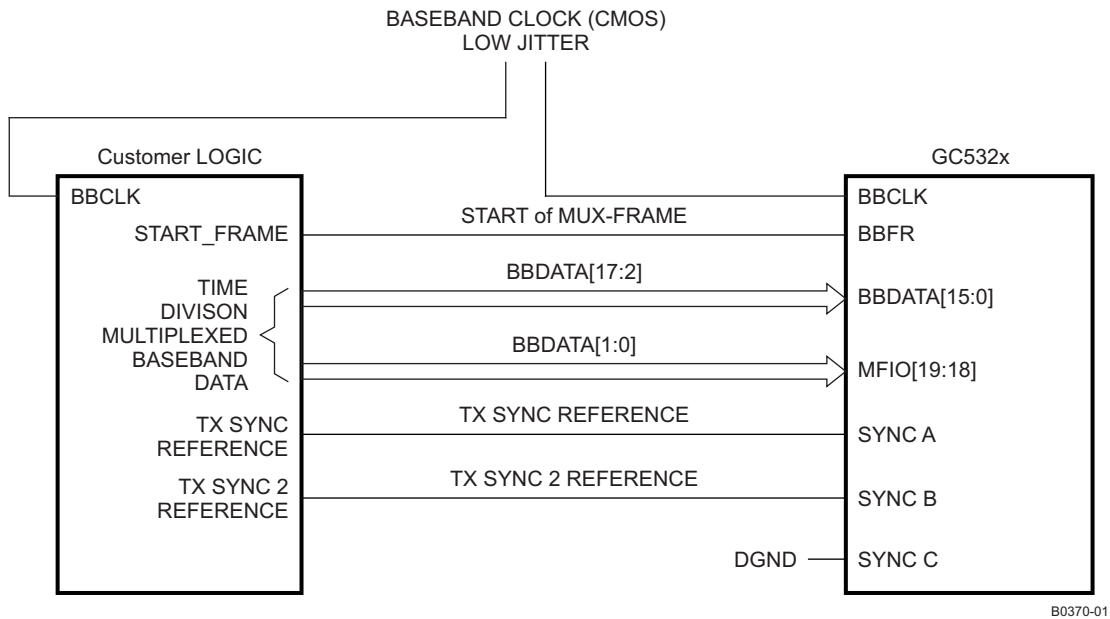
By including the GC5328 in their system architecture, manufacturers of BTS equipment can realize significant savings on power amplifier bill of materials (BOM) and overall operational costs due to the PA efficiency improvement. The GC5328 meets multicarrier 3G performance standards (PCDE, composite EVM, and ACLR) at PAR levels down to 6.5 dB and improves the ACLR, at the PA output, by 20 dB or more. The GC5328 integrates easily into the transmit signal chain between baseband processors (such as the Texas Instruments TMS320C64x™ DSP family) and TI high-performance data converters.

A typical GC5328 system application would include the following transmit-chain components:

- TMS320C6727B digital signal processor (DSP)
- DAC5682 16-bit, 1-Gsps DAC; DAC5688 16-bit, 800-Msps DAC (transmit path)
- CDCM7005, CDCE72010 clock generator
- TRF3761 integrated VCO/PLL synthesizer
- TRF3703 quadrature modulator
- ADS6149 14-bit, 250-Msps ADC or ADS5517 11-bit 200-Msps (feedback path)
- AMC7823 analog monitoring and control circuit with GPIO and SPI

**BASEBAND INTERFACE**

The GC5328 baseband interface block accepts baseband signals over an interleaved parallel interface at a data rate of up to 70 MHz. The input interface supports up to 12 separate baseband carriers. The baseband interface sends the interleaved IQ data to the DUC, or in DUC bypass to the sum chain, with up to 35-Mhz composite BW. The baseband interface has 18-bit data (top16) BBData[15.0], BBFrame, and two additional (bottom two data) MFIO(18,19).



**Figure 3. Baseband and Sync Interface to GC5328**

## BASEBAND CLOCK INPUT

The baseband clock input is a CMOS, low-jitter clock.

## GAIN/PILOT INSERTION/AntCal INSERTION/POWER METER

Baseband gain can be applied on a per-carrier basis to control the individual channel power accurately through the system. A UMTS pilot sequence at a programmable gain can be added for antenna calibration. Each individual baseband channel has an integrated  $I^2 + Q^2$  power accumulator. The baseband power meters have a common integration counter and interval counter for all channels. The GPP block has an IPDL detection and control section to select one of four CFR memories when IPDL autoselection is used. Normally, IPDL 0 is manually selected.

## DIGITAL UP CONVERTERS (DUCs)

The GC5328 DUC block has interpolation filters, programmable delays, and complex mixers for each channel. There are two DUC blocks within the GC5328. The sum chain after the DUC channel combines the DUC channel streams or the bypass stream and sends the data to the CFR block. Each DUC can operate in one wide, two medium, or six CDMA channels. Each DUC has a PFIR for spectral shaping, a CFIR for interpolation and image rejection, and a bulk interpolation CIC.

The 2 DUCs can support:

- (6 channel/DUC mode) up to 12 – 1.23(8) Mhz CDMA, 1xEVDO, or TDSCDMA carriers
- (2 channel/DUC mode) up to 4 – WCDMA or LTE-5 carriers
- (1 channel/DUC mode) up to 2 – Wibro, Wimax, LTE 10 carriers
- (1 channel/DUC mode) 1 – Wimax or LTE20 carrier

Users can specify the filter characteristics of the DUC. The filters are the programmable finite impulse response (PFIR), compensating finite impulse response (CFIR), and cascade integrator comb (CIC) filters. Users can also specify the center frequencies of each carrier with a resolution of 0.25 mHz. Additional controls available in the DUCs include bulk and fractional-time delay adjustments, phase adjustments, and equalization. The maximum DUC output bandwidth is 40 MHz.

## CREST FACTOR REDUCTION (CFR)

The GC5328 CFR block selectively reduces the peak-to-average ratio (PAR) of wideband digital signals. There are four peak detection cancellation sections in series in the CFR block. Each stage compares the estimated peak at the stage input with the target, and subtracts a scaled cancellation peak from the signal. There are 24 cancellers pooled among the four stages. The CFR interpolation filter must have at least 1.6x bandwidth, typical is 2x BBclock to signal bandwidth.

There are four canceller memories and an update shadow memory that can be used for the auto-IPDL UMTS select cancellation filter. The shadow memory allows the user to update one of the four filter banks during operation. The CFR block has a composite RMS meter that can select the CFR input or output for monitoring.

The CFR block for WCDMA reduces TM1, TM3 signals for four adjacent carriers to 6.5 db PAR within the 3GPP limit. The Wimax 10 reduction for two adjacent carriers is to 8.5 db PAR. TDSCDMA and CDMA performance is limited by the carrier allocations and carrier coding. The CFR processing complex BW is limited to 62.5% of the baseband clock rate.

## FRACTIONAL FARROW RESAMPLER (FR)

The fractional resampler block takes the peak-reduced composite signals from CFR and resamples this through fractional interpolation to the DPD processing rate. The user-programmable Farrow resampler supports upsampling rates from 1x to 64x, with 16-bit precision on the interpolation ratio. After the fractional interpolation, a complex mixer is available to provide a composite carrier IF offset frequency. A peak I or Q monitor is provided.

## DIGITAL PREDISTORTION (DPD)

The DPD block provides predistortion for up to Nth-order nonlinearities, and can correct multiple orders and lengths of PA memory effects. The circular hard limiter provides a circular clipper that limits the magnitude-squared value to -6 dbFS. This is optimized for hardware, and for the allowed gain expansion in the nonlinear DPD correction.

The DPD has an RMS power meter, and a peak I or Q monitor.

The predistortion is performed for the nonlinear correction in the DPD section. The linear correction is performed in the Tx equalizer. The predistortion correction terms are computed by an external processor (TMS320C6727 DSP) based on capture buffer information and the DPD software.

The DSP sets up the condition for collecting capture buffer data, retrieves the captured data over the EMIF bus, and then performs calculations to compute the error and corrections to be used for the transmit path.

The host interface controls the mode of operation of the software in the TI DSP. TI provides a base delivery of 'C6727 software to GC5328 customers that achieves a typical ACLR improvement of 20 dB or more when compared to a PA without DPD.

## DPD CLOCK INPUT

The DPD clock input is an LVDS, low-jitter clock.

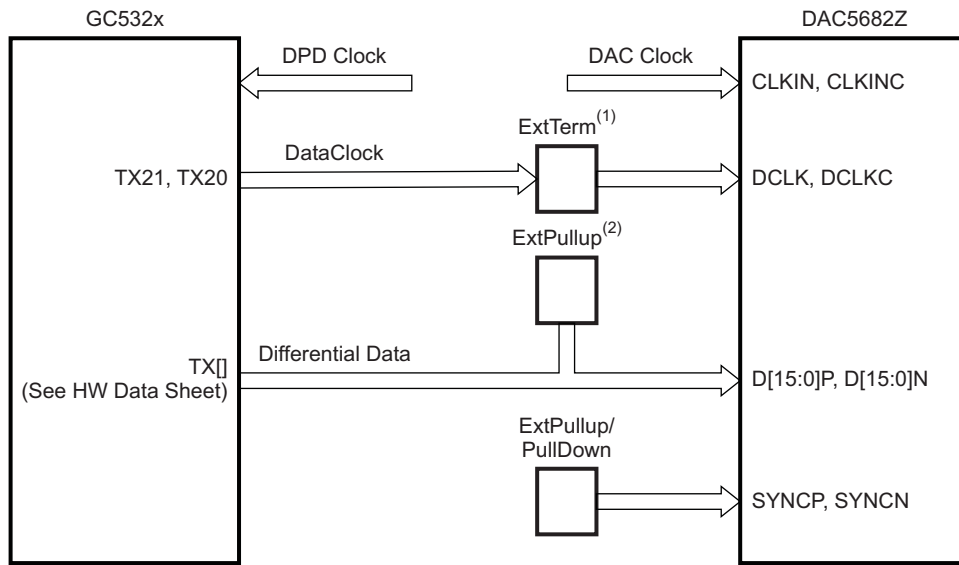
## BULK UPCONVERTER (BUC)

The bulk upconverter block can interpolate the DPD block output by 1x, 1.5x, 2x, or 3x with a complex output. The BUC interpolation blocks of 2 and 1.5 can provide 1x, 2x, or 3x interpolation for complex signals. The 1.5x interpolation after DPD is performed by interpolating by 3 in the BUC and decimating by 2 in the OFMT block. The BUC mixer can translate the composite IQ predistorted Tx output if the BUC Interpolation is > 1. Note: the BUC interpolation of 1, 1.5, or 2 is recommended.

## OUTPUT FORMATTER AND DAC INTERFACE (OFMT)

The output format and DAC interface presents the GC5328 output in the proper format for the different output interfaces. The output formatter supports a test pattern for testing the DAC5682Z interface. The two output interfaces supported for the GC5328 are:

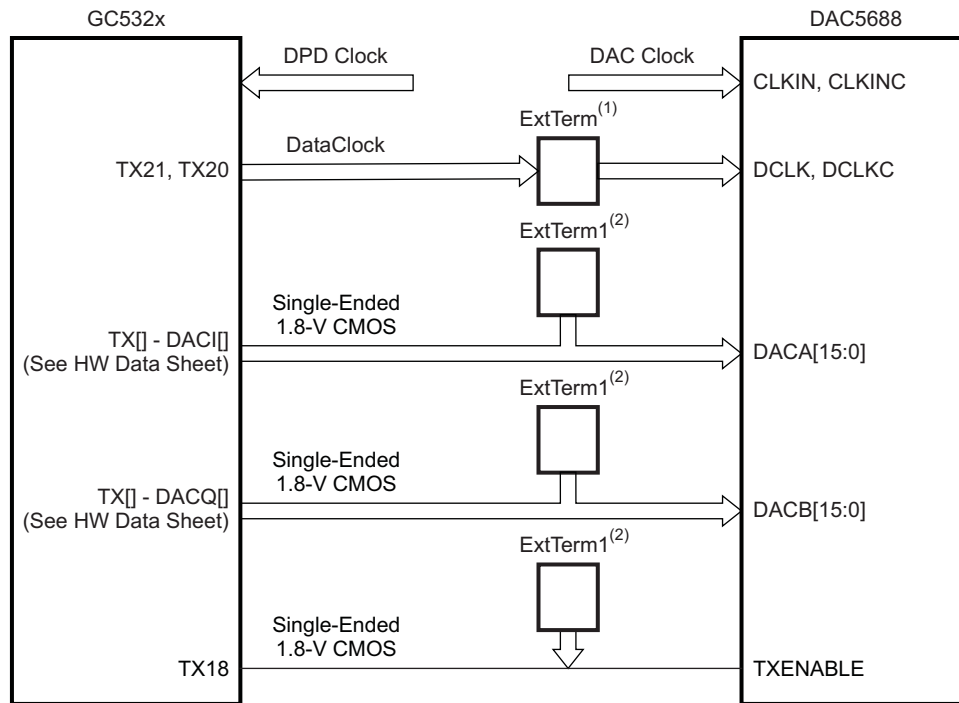
- DAC5682 interleaved IQ
- DAC5688 parallel IQ or interleaved IQ



B0371-01

- (1) ExtTerm – see DAC data sheet.
- (2) ExtPullup, 500 Ω to 1.8 V, only required when DAC Data Clock > 337 MHz

Figure 4. GC5328 to DAC5682Z Interface



B0372-01

- (1) ExtTerm – see DAC data sheet.
- (2) ExtTerm1 – tester uses 50 Ω to 0.9 V for termination.

Figure 5. GC5328 to DAC5688 Interface

## FEEDBACK PATH (FB)

The feedback path has two LVDS input ports. The A port is preferred (it has better timing). The external ADC Input is converted or processed to generate a complex signal. The feedback equalizer has eight complex taps as a receive equalizer. The feedback path has a mixer to translate the complex IF to the 0IF reference. The ADC feedback rate is at the same rate as the DPD clock ( $f_s$ ). The typical feedback is  $f_s/4$ ,  $f_s/3/4$  (m), or  $f_s/5/4$  IF. The feedback equalizer can provide (m) inverted spectral output, if needed.

The FB complex mixer translates the frequency of the complex input signal to 0IF. The feedback path has the capability for nonlinear correction with a lookup table. TI ADCs that connect to the feedback path are the SDR type ADS5444, DDR type ADS5445 (6149, 5517), DDR with reversed data phase ADSC217. The ADC feedback path has modified connections for shared feedback path operation (see GC5325 schematic, User's Guide, in [References](#)). The GC5328 simplifies timing by providing a FIFO for each ADC port.

### NOTE

There are eight LVDS data lanes and 1 LVDS clock lane. If the ADC has < 8 LVDS data lanes the MSB of the ADC is connected to LVDS lane 7 (MSB) of the A feedback port.

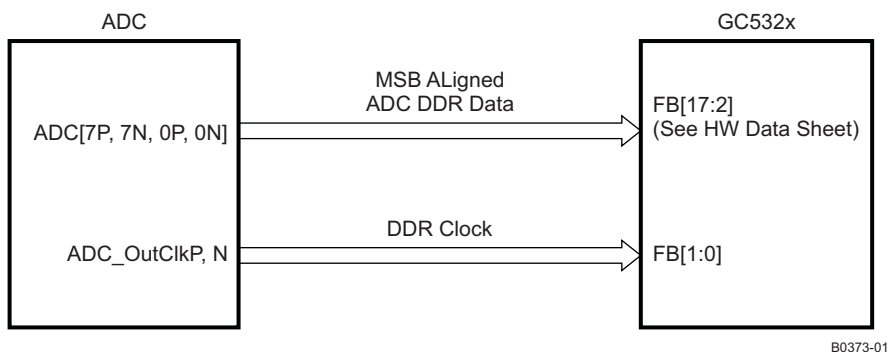


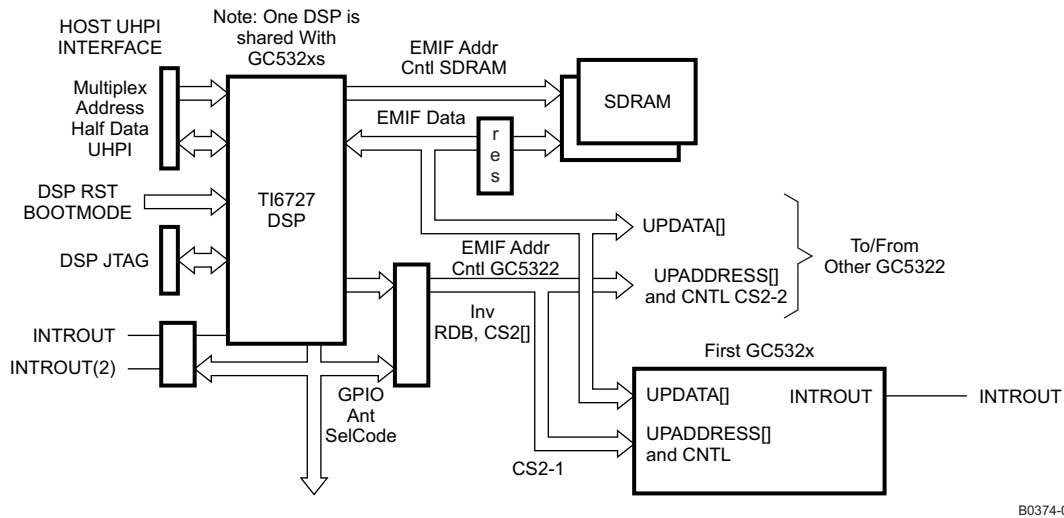
Figure 6. LVDS DDR ADC to GC5328 FB Interface

## MICROPROCESSOR (MPU) INTERFACE

The MPU interface is designed to interface with external memory interface (EMIF) ports on TI DSPs operating in asynchronous mode. It consists of a 16-bit bidirectional data bus, a 10-bit address bus, and RDB, WRB, OEB, and CEB control signals. The CEB and OEB signals to the GC5328 require additional logic outside the TMS320C6727B; see [Table 1](#).

Table 1. EMIF to GC5328 Microprocessor Interface

| 6727 DSP EMIF | GC5328       | NOTES                                                                               |
|---------------|--------------|-------------------------------------------------------------------------------------|
| EM_D[15.0]    | UPDATA[15.0] |                                                                                     |
| EM_A[8.0]     | UPADDR[9.1]  |                                                                                     |
| EM_BA[1]      | UPADDR[0]    |                                                                                     |
| EM_CS2        | CEB          | Note: DSP HD[22.20] are used for logic for multiple chip-select, inverted outputs.  |
| EM_RWB        | OEB          | Invert RWB send to OEB                                                              |
| EM_WEB        | WRB          |                                                                                     |
| EM_OEB        | RDB          |                                                                                     |
| AXRO[7]       | Interrupt    | Note: DSP [HD22.20] can also be used with a multiplexer to select GC5328 interrupt. |



**Figure 7. 6727 DSP to GC5328 EMIF Interface**

## CAPTURE BUFFERS (SCB)

The GC5328 has two capture buffers of 4096 complex words. The capture buffers are normally used to capture the Tx reference signal and the feedback output signal. Capture buffer A can capture:

- The TX reference from the DPD after the circular hard limiter
- The feedback output; this represents the waveform as seen by the PA.
- The error output
- Testbus(31:16)
- QRD error output

Capture buffer B can capture:

- The TX reference from the DPD after the circular hard limiter
- The feedback output; this represents the waveform as seen by the PA.
- The error output
- Testbus(15:0)

Standard capture mode – The capture buffers can be armed to collect the 4K complex samples after a programmable delay following a sync event.

Smart capture mode – There are two trigger conditions that combine the number of samples greater than a threshold; these are used to find a number of peak events while the transmit signal is above a threshold. In this case, the magnitude and magnitude-squared of the signal are compared against a threshold and counted. If the capture buffer finds the trigger condition, the capture logic captures the programmed capture-buffer depth after the trigger. This is a combination of DSP software and the GC5328 hardware.

## NOTE

Capture buffer A has a special mode to source data for diagnostic testing.

The DSP host-interface software has a function to select and get capture-buffer data. The complex data is then passed from the GC5328 to the EMIF bus, to the DSP, and back to the host processor.

The DSP host software has a signal-power monitoring function. This uses the capture-buffer data to perform special monitoring, power measurement, and error measurements.



There are special DSP software PA protection modes that use the capture buffer to determine the DPD correction applied to the signal, the error between the DPD reference input and the feedback signal. The capture buffers are also used in the initial bulk delay and fractional delay alignment.

## INPUT SYNCs AND OUTPUT SYNC

The GC5328 features multiple user-programmable input syncs. There are three syncs sampled with the BBCKlock, (A, B, and C), and the Sync D,DC as an LVDS sync sampled by the DPD clock. Internally, the GC5328 can also generate timed and software-controlled syncs. The sync A input is required for the GC5328 hardware to initialize. It should ideally be the start of the frame or frame downlink. The output sync is a test signal used for debugging.

The input syncs can be used to trigger:

- Power measurements
- DUC channel delay, dither, and mixer-phase alignment
- Initializing/loading the DUC, feedback, equalizer, LUTs, etc.
- Feedback path tuner alignment
- Capturing and sourcing of data through SCBs

### NOTE

The sync A external synchronization should match the customer Tx frame (total Tx period – i.e., 5 ms).

See the baseband interface figure, these synchronization signals must meet the timing of the BBCKl.

## POWER METERS AND PEAK I-or-Q MONITORS

There are three integrated  $I^2 + Q^2$  power meters in the GC5328:

- GPP – each baseband input channel
- CFR – the CFR input or output, and which antenna stream (0, 1)
- DPD – the input to the DPD nonlinear correction after the DPDL gain, and which antenna stream (0, 1)

There are several peak I or Q monitors within the GC5328.

- FRW– The resampled combined IQ interleaved input to the DPD
- DPD – The input to the DPD nonlinear correction after the DPDL gain
- DPD – After the nonlinear correction in DPD, and separately after the linear correction in DPD
- FDBK – There is a peak monitor at the output of the feedback path.







### NOTE

The DSP host software has a HW POWER meter setup and Get(Monitor) function to configure and get data from the integrated  $I^2+Q^2$  values.

### PIN ASSIGNMENT AND DESCRIPTIONS

ZER Package  
(Top View)

|    | A      | B      | C        | D        | E        | F       | G       | H       | J       | K       | L        | M       | N        | P        | R        | T         | U         | V         | W       | Y        | AA         | AB        |         |
|----|--------|--------|----------|----------|----------|---------|---------|---------|---------|---------|----------|---------|----------|----------|----------|-----------|-----------|-----------|---------|----------|------------|-----------|---------|
| 22 | VSS    | VSS    | VSS      | VSS      | VSS      | UP ADDR | UP ADDR | UP ADDR | UP ADDR | RDB     | UP DATA0 | VSS     | UP DATA3 | UP DATA6 | VPP1     | UP DATA9  | UP DATA12 | UP DATA15 | VSS1    | VSS      | VSS        | VSS       |         |
| 21 | VSS    | VSS    | VSS      | VSS      | VSS      | UP ADDR | UP ADDR | UP ADDR | WRB     | CEB     | UP DATA1 | VSS     | UP DATA4 | VPP1     | UP DATA7 | UP DATA10 | UP DATA13 | VSS       | VSS     | VSS      | VSS        | TEST MODE |         |
| 20 | BB0    | BB1    | BB2      | VSS      | VSS      | UP ADDR | UP ADDR | UP ADDR | VDD SHV | OEB     | UP DATA2 | VDD SHV | UP DATA5 | VDD SHV  | UP DATA8 | UP DATA11 | UP DATA14 | VSS       | MVV DD2 | MVV SS2  | INTER-RUPT | TDO       |         |
| 19 | BB3    | BB4    | BB5      | BB6      | VDD SHV  | VDD     | VDD     | VDD     | VDD     | VDD     | VDD      | VDD     | VDD      | VDD      | VDD      | VDD       | VDD       | VDD       | VDD     | VDD      | VDD        | TDI       | TCK     |
| 18 | BB7    | BB8    | BB9      | BB10     | VDD      | VDD     | VDD     | VDD     | VDD1    | VDD     | VDD SHV  | VDD     | VDD      | VDD      | VDD      | VDD       | VDD       | VDD       | VSS     | VDD SHV  | TRSTB      | TMS       |         |
| 17 | BB11   | BB12   | BB13     | BB14     | VDD      | VDD     | VDD SHV | VDD     | VDD     | VDD     | VDD SHV  | VDD     | VDD      | VDD      | VDD      | VDD SHV   | VDD       | VDD       | TX37    | TX36     | TX35       | TX34      |         |
| 16 | BB15   | BBFR   | BBCLK    | VDD      | VDD      | VDD     | VDD     | VDD     | VDD     | VDD     | VDD      | VDD     | VDD      | VDD      | VDD      | VDD       | VDD       | VDD       | TX33    | TX32     | TX31       | TX30      |         |
| 15 | SYNC C | SYNC B | SYNC A   | SYNC OUT | VDD SHV  | VDD     | VSS     | VSS     | VSS     | VSS     | VSS      | VSS     | VSS      | VSS      | VSS      | VSS       | VSS       | VHST LHV  | VDD     | TX29     | TX28       | TX27      | TX26    |
| 14 | VSSA1  | VDDA1  | VDD      | VSS      | VDD SHV  | VDD     | VSS     | VSS     | VSS     | VSS     | VSS      | VSS     | VSS      | VSS      | VSS      | VSS       | VSS       | VHST LHV  | VDD     | TX25     | TX24       | TX23      | TX22    |
| 13 | FB34   | FB35   | FB32     | FB33     | VDD SHV  | VDD     | VSS     | VSS     | VSS     | VSS     | VSS      | VSS     | VSS      | VSS      | VSS      | VSS       | VSS       | VHST LHV  | VDD     | DAC REFN | DAC REFP   | TX21      | TX20    |
| 12 | FB30   | FB31   | FB28     | FB29     | VDD SHV  | VDD     | VSS     | VSS     | VSS     | VSS     | VSS1     | VSS     | VSS      | VSS      | VSS      | VSS       | VSS       | VHST LHV  | VDD     | VSS      | VSS        | TX19      | TX18    |
| 11 | FB27   | FB26   | VDD      | VDD      | VDD SHV1 | VDD     | VSS     | VSS     | VSS     | VSS     | VSS      | VSS     | VSS      | VSS      | VSS      | VSS       | VSS       | VHST LHV  | VDD     | TX14     | TX15       | TX16      | TX17    |
| 10 | FB25   | FB24   | FB23     | FB22     | VDD SHV  | VDD     | VSS     | VSS1    | VSS1    | VSS1    | VSS1     | VSS1    | VSS1     | VSS1     | VSS1     | VSS1      | VSS1      | VHST LHV  | VDD     | TX10     | TX11       | TX12      | TX13    |
| 9  | FB21   | FB20   | FB19     | FB18     | VDD SHV  | VDD     | VSS     | VSS     | VSS     | VSS     | VSS      | VSS     | VSS      | VSS      | VSS      | VSS       | VSS       | VHST LHV  | VDD     | TX6      | TX7        | TX8       | TX9     |
| 8  | FB17   | FB16   | ADC IREF | ADC VREF | VDD SHV  | VDD     | VSS     | VSS     | VSS     | VSS     | VSS      | VSS     | VSS      | VSS      | VSS      | VSS       | VSS       | VHST LHV  | VDD     | TX2      | TX3        | TX4       | TX5     |
| 7  | FB15   | FB14   | FB13     | FB12     | VDD      | VDD     | VDD     | VDD     | VDD     | VDD     | VDD      | VDD     | VDD      | VDD      | VDD      | VDD       | VDD       | VDD       | VDD     | VDD      | VDDA       | TX0       | TX1     |
| 6  | FB11   | F10    | VDD      | VDD      | VDD      | VDD     | VDD SHV | VDD     | VDD     | VDD     | VDD SHV  | VDD     | VDD      | VDD      | VDD      | VDD       | VDD SHV   | VDD       | VDD     | VSS      | VSS        | VDD SHV   | VSSA    |
| 5  | FB9    | FB8    | FB7      | FB6      | VDD      | VDD     | VDD     | VDD     | VDD     | VDD     | VDD SHV  | VDD     | VDD      | VDD      | VDD      | VDD       | VDD       | VDD       | VDD     | DPD CLK  | DPD CLKC   | SYNC D    | SYNC DC |
| 4  | FB4    | FB5    | FB2      | FB3      | VDD SHV  | VDD     | VDD     | VDD     | VDD     | VDD     | VDD      | VDD     | VDD      | VDD      | VDD      | VDD       | VDD       | VDD       | VDD     | VDD SHV  | DPD IREF   | DPD VREF  | VSS     |
| 3  | FB0    | FB1    | MFIO 0   | MFIO 1   | VSS      | VPP     | MFIO 5  | VDD SHV | MFIO 10 | MFIO 13 | VDD SHV  | MFIO 18 | MFIO 21  | MFIO 24  | VDD SHV  | MFIO 29   | MFIO 32   | VSS       | RESET B | VSS      | VSS        | VSS       |         |
| 2  | VSS    | VSS    | VSS      | VSS      | VSS      | MFIO 3  | MFIO 4  | MFIO 7  | MFIO 9  | MFIO 12 | MFIO 15  | MFIO 17 | MFIO 20  | MFIO 23  | MFIO 26  | MFIO 28   | MFIO 31   | VSS       | VSS     | VSS      | VSS        | VSS       |         |
| 1  | VSS    | VSS    | VSS      | VSS      | VSS      | MFIO 2  | VPP     | MFIO 6  | MFIO 8  | MFIO 11 | MFIO 14  | MFIO 16 | MFIO 19  | MFIO 22  | MFIO 25  | MFIO 27   | MFIO 30   | MFIO 33   | VSS     | VSS      | VSS        | VSS       |         |

|                                                                                     |                            |                                                                                     |                    |                                                                                     |                     |
|-------------------------------------------------------------------------------------|----------------------------|-------------------------------------------------------------------------------------|--------------------|-------------------------------------------------------------------------------------|---------------------|
|  | = Baseband Input           |  | = Signal Interface |  | = Power and Biasing |
|  | = Microprocessor Interface |  | = Miscellaneous    |  | = JTAG Interface    |

P0107-01

**PIN FUNCTIONS**

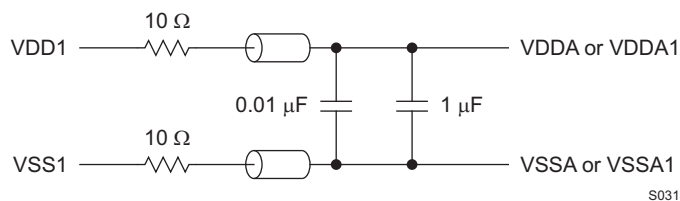
| PIN                             |                                                                                                                                                                                                                                                                                                                                                                                                                                                                                                                                                                                                                                                         | I/O | DESCRIPTION                       |
|---------------------------------|---------------------------------------------------------------------------------------------------------------------------------------------------------------------------------------------------------------------------------------------------------------------------------------------------------------------------------------------------------------------------------------------------------------------------------------------------------------------------------------------------------------------------------------------------------------------------------------------------------------------------------------------------------|-----|-----------------------------------|
| NAME                            | NO.                                                                                                                                                                                                                                                                                                                                                                                                                                                                                                                                                                                                                                                     |     |                                   |
| <b>MICROPROCESSOR INTERFACE</b> |                                                                                                                                                                                                                                                                                                                                                                                                                                                                                                                                                                                                                                                         |     |                                   |
| OEB                             | K20                                                                                                                                                                                                                                                                                                                                                                                                                                                                                                                                                                                                                                                     | I   | Output enable(inv)                |
| CEB                             | K21                                                                                                                                                                                                                                                                                                                                                                                                                                                                                                                                                                                                                                                     | I   | Chip enable(inv)                  |
| RDB                             | K22                                                                                                                                                                                                                                                                                                                                                                                                                                                                                                                                                                                                                                                     | I   | Read strobe (inv)                 |
| WRB                             | J21                                                                                                                                                                                                                                                                                                                                                                                                                                                                                                                                                                                                                                                     | I   | Write strobe(inv)                 |
| UPADDR[9:0]                     | J22, H20, H21, H22, G20, G21, G22, F20, F21, F22                                                                                                                                                                                                                                                                                                                                                                                                                                                                                                                                                                                                        | I   | Microprocessor address            |
| UPDATA[15:10]                   | V22, U20, U21, U22, T20, T21                                                                                                                                                                                                                                                                                                                                                                                                                                                                                                                                                                                                                            | I/O | Microprocessor data               |
| UPDATA[9:0]                     | T22, R20, R21, P22, N20, N21, N22, L20, L21, L22                                                                                                                                                                                                                                                                                                                                                                                                                                                                                                                                                                                                        | I/O | Microprocessor data               |
| INTERRUPT                       | AA20                                                                                                                                                                                                                                                                                                                                                                                                                                                                                                                                                                                                                                                    | O   | Microprocessor interrupt          |
| <b>POWER AND BIASING</b>        |                                                                                                                                                                                                                                                                                                                                                                                                                                                                                                                                                                                                                                                         |     |                                   |
| VDD                             | Y19, W19, W7, V18, V17, V16, V15, V14, V13, V12, V11, V10, V9, V8, V7, V6, V5, V4, U19, U18, U17, U16, U7, U6, U5, U4, T19, T18, T16, T7, T5, T4, R19, R18, R17, R16, R7, R6, R5, R4, P19, P18, P17, P16, P7, P6, P5, P4, N19, N18, N17, N16, N7, N6, N5, N4, M19, M18, M17, M16, M7, M6, M5, M4, L19, L16, L7, L4, K19, K18, K17, K16, K7, K6, K5, K4, J19, J18, J17, J16, J7, J6, J5, J4, H19, H18, H17, H16, H7, H6, H5, H4, G19, G18, G16, G7, G5, G4, F19, F18, F17, F16, F15, F14, F13, F12, F11, F10, F9, F8, F7, F6, F5, F4, E18, E17, E16, E7, E6, E5, D16, D11, D6, C14, C11, C6                                                              | PWR | 1.2-V supply                      |
| VSS                             | AB22, AB4, AB3, AB2, AB1, AA22, AA21, AA3, AA2, AA1, Y22, Y21, Y12, Y6, Y3, Y2, Y1, W22, W21, W18, W12, W6, W2, W1, V21, V20, V3, V2, T15, T14, T13, T12, T11, T10, T9, T8, R15, R14, R13, R12, R11, R10, R9, R8, P15, P14, P13, P12, P11, P10, P9, P8, N15, N14, N13, N12, N11, N10, N9, N8, M22, M21, M15, M14, M13, M12, M11, M10, M9, M8, L15, L14, L13, L12, L11, L10, L9, L8, K15, K14, K13, K12, K11, K10, K9, K8, J15, J14, J13, J12, J11, J10, J9, J8, H15, H14, H13, H12, H11, H10, H9, H8, G15, G14, G13, G12, G11, G10, G9, G8, E22, E21, E20, E3, E2, E1, D22, D21, D20, D14, D2, D1, C22, C21, C2, C1, B22, B21, B2, B1, A22, A21, A2, A1 | PWR | Ground                            |
| MVDD2                           | W20                                                                                                                                                                                                                                                                                                                                                                                                                                                                                                                                                                                                                                                     |     | 1.2-V monitor, no connect         |
| MVSS2                           | Y20                                                                                                                                                                                                                                                                                                                                                                                                                                                                                                                                                                                                                                                     |     | GND monitor, no connect           |
| VHSTLHV                         | U15, U14, U13, U12, U11, U10, U9, U8                                                                                                                                                                                                                                                                                                                                                                                                                                                                                                                                                                                                                    | PWR | 1.8-V supply                      |
| VDDSHV                          | AA6, Y18, W4, V19, T17, T6, R3, P20, M20, L18, L17, L6, L5, L3, J20, H3, G17, G6, E19, E15, E14, E13, E12, E11, E10, E9, E8, E4                                                                                                                                                                                                                                                                                                                                                                                                                                                                                                                         | PWR | 3.3-V supply                      |
| VDDA                            | Y7                                                                                                                                                                                                                                                                                                                                                                                                                                                                                                                                                                                                                                                      | PWR | 1.2-V supply (requires filtering) |
| VSSA                            | AB6                                                                                                                                                                                                                                                                                                                                                                                                                                                                                                                                                                                                                                                     | PWR | Ground (requires filtering)       |
| VDDA1                           | B14                                                                                                                                                                                                                                                                                                                                                                                                                                                                                                                                                                                                                                                     | PWR | 1.2-V supply (requires filtering) |
| VSSA1                           | A14                                                                                                                                                                                                                                                                                                                                                                                                                                                                                                                                                                                                                                                     | PWR | Ground (requires filtering)       |
| VPP                             | G1, F3                                                                                                                                                                                                                                                                                                                                                                                                                                                                                                                                                                                                                                                  | PWR | 1.2-V supply                      |
| VPP1                            | R22, P21                                                                                                                                                                                                                                                                                                                                                                                                                                                                                                                                                                                                                                                | PWR | 1.2-V supply                      |
| DPDIREF                         | Y4                                                                                                                                                                                                                                                                                                                                                                                                                                                                                                                                                                                                                                                      | PWR | DPD bias, 1 k $\Omega$ to VSS     |
| DPDVREF                         | AA4                                                                                                                                                                                                                                                                                                                                                                                                                                                                                                                                                                                                                                                     | PWR | DPD bias to VDD                   |
| DACREFP                         | Y13                                                                                                                                                                                                                                                                                                                                                                                                                                                                                                                                                                                                                                                     | PWR | DAC bias, 50 $\Omega$ to VSS      |
| DACREFN                         | W13                                                                                                                                                                                                                                                                                                                                                                                                                                                                                                                                                                                                                                                     | PWR | DAC bias, 50 $\Omega$ to VDD      |
| ADCIREF                         | C8                                                                                                                                                                                                                                                                                                                                                                                                                                                                                                                                                                                                                                                      | PWR | ADC bias, 1 k $\Omega$ to VSS     |
| ADCVREF                         | D8                                                                                                                                                                                                                                                                                                                                                                                                                                                                                                                                                                                                                                                      | PWR | ADC bias to VDD                   |
| <b>BASEBAND INPUT</b>           |                                                                                                                                                                                                                                                                                                                                                                                                                                                                                                                                                                                                                                                         |     |                                   |
| BB[15:10]                       | A16, D17, C17, B17, A17, D18                                                                                                                                                                                                                                                                                                                                                                                                                                                                                                                                                                                                                            | I   | Baseband input signal             |

**PIN FUNCTIONS (continued)**

| PIN                                                                                       |                                                        | I/O | DESCRIPTION                                  |
|-------------------------------------------------------------------------------------------|--------------------------------------------------------|-----|----------------------------------------------|
| NAME                                                                                      | NO.                                                    |     |                                              |
| BB[9:0]                                                                                   | C18, B18, A18, D19, C19, B19, A19, C20, B20, A20       | I   | Baseband input signal                        |
| BBCLK                                                                                     | C16                                                    | I   | Baseband input clock                         |
| BBFR                                                                                      | B16                                                    | I   | Baseband frame for sample and channel timing |
| <b>MISCELLANEOUS</b>                                                                      |                                                        |     |                                              |
| RESETB                                                                                    | W3                                                     | I   | Chip reset (active-low)                      |
| TESTMODE                                                                                  | AB21                                                   | I   | Tie to GND                                   |
| SYNCA                                                                                     | C15                                                    | I   | Programmable general-purpose sync            |
| SYNCB                                                                                     | B15                                                    | I   | Programmable general-purpose sync            |
| SYNCC                                                                                     | A15                                                    | I   | Programmable general-purpose sync            |
| SYNCD                                                                                     | AA5                                                    | I   | DPD-purpose sync                             |
| SYNCDC                                                                                    | AB5                                                    | I   | Complementary DPD-purpose sync               |
| SYNCOUT                                                                                   | D15                                                    | O   | Programmable general-purpose output sync     |
| DPDCLK                                                                                    | W5                                                     | I   | Clock to DPD                                 |
| DPDCLKC                                                                                   | Y5                                                     | I   | Complementary clock to DPD                   |
| <b>JTAG INTERFACE</b>                                                                     |                                                        |     |                                              |
| TCK                                                                                       | AB19                                                   | I   | JTAG clock                                   |
| TDI                                                                                       | AA19                                                   | I   | JTAG data in                                 |
| TDO                                                                                       | AB20                                                   | O   | JTAG data out                                |
| TRSTB                                                                                     | AA18                                                   | I   | JTAG reset (active-low)                      |
| TMS                                                                                       | AB18                                                   | I   | JTAG mode select                             |
| <b>SIGNAL INTERFACE (Tx-DAC, FB-ADC, see next section for Data Converter Connections)</b> |                                                        |     |                                              |
| TX[37:30]                                                                                 | W17, Y17, AA17, AB17, W16, Y16, AA16, AB16             | O   | Transmit to DAC(s)                           |
| TX[29:20]                                                                                 | W15, Y15, AA15, AB15, W14, Y14, AA14, AB14, AA13, AB13 | O   | Transmit to DAC(s)                           |
| TX[19:10]                                                                                 | AA12, AB12, AB11, AA11, Y11, W11, AB10, AA10, Y10, W10 | O   | Transmit to DAC(s)                           |
| TX[9:0]                                                                                   | AB9, AA9, Y9, W9, AB8, AA8, Y8, W8, AB7, AA7           | O   | Transmit to DAC(s)                           |
| FB[35:30]                                                                                 | B13, A13, D13, C13, B12, A12                           | I   | Feedback from ADC(s)                         |
| FB[29:20]                                                                                 | D12, C12, A11, B11, A10, B10, C10, D10, A9, B9         | I   | Feedback from ADC(s)                         |
| FB[19:10]                                                                                 | C9, D9, A8, B8, A7, B7, C7, D7, A6, B6                 | I   | Feedback from ADC(s)                         |
| FB[9:0]                                                                                   | A5, B5, C5, D5, B4, A4, D4, C4, B3, A3                 | I   | Feedback from ADC(s)                         |
| MFIO[33:0]                                                                                | V1, U3, U2, U1                                         | I/O | Multifunction input-output interface         |
| MFIO[29:20]                                                                               | T3, T2 T1, R2, R1, P3, P2, P1, N3, N2                  | I/O | Multifunction input-output interface         |
| MFIO[19:10]                                                                               | N1, M3, M2, M1, L2, L1, K3, K2, K1, J3                 | I/O | Multifunction input-output interface         |
| MFIO[9:0]                                                                                 | J2, J1, H2, H1, G3, G2, F2, F1, D3, C3                 | I/O | Multifunction input-output interface         |

**SPECIAL POWER-SUPPLY REQUIREMENTS FOR VDDA1, VSSA1, VDDA2, VSSA2**

The two PLLs require an analog supply. Each pair (VDDA1, VSSA1) requires a separate filter. These can be generated by filtering the core digital supply (VDD). A representative filter is shown in [Figure 8](#). The filters should be located as close as reasonable to their respective pins (especially the bypass capacitors). The ferrite beads should be series 50R (similar to Murata P/N: BLM31P500SPT; description: IND FB BLM31P500SPT 50R 1206). In particular, supply VDDA1 must be less than or equal to VDD1 when VDD1 is at the low end of the required range. The series resistor assures this condition is met.


**Figure 8. Recommended Filter for VDDA, VDDA1 Power**

## TX OUTPUT TO DAC5682Z AND DAC5688

The earlier figures show the GC5328 to DAC data, sync, and clock signals. These tables list the specific GC5328 to DAC TX connections.

**Table 2. GC5328 TX (Single-Channel Single-Ended HSTL – DAC5688)**

| PIN NAME    | PIN NUMBER                                                 | I/O | DESCRIPTION                |
|-------------|------------------------------------------------------------|-----|----------------------------|
| DACI[15:10] | TX15, TX14, TX11, TX10, TX7, TX6                           | O   | DAC-I output               |
| DACI[9:0]   | TX3, TX2, TX1, TX0, TX4, TX5, TX8, TX9, TX12, TX13         | O   | DAC-I output               |
| DACQ[15:10] | TX24, TX25, TX28, TX29, TX32, TX33                         | O   | DAC-Q output               |
| DACQ[9:0]   | TX36, TX37, TX35, TX34, TX31, TX30, TX27, TX26, TX23, TX22 | O   | DAC-Q output               |
| DACCLK      | TX21                                                       | O   | Clock to DAC               |
| DACCLKC     | TX20                                                       | O   | Complementary clock to DAC |
| DACSYNC     | TX18                                                       | O   | Output data sync           |

**Table 3. GC5328 TX (Single Channel Differential HSTL – DAC5682Z)**

| PIN NAME    | PIN NUMBER                                                 | I/O | DESCRIPTION                |
|-------------|------------------------------------------------------------|-----|----------------------------|
| DAC[15:10]P | TX10, TX6, TX2, TX0, TX4, TX8                              | O   | DAC positive output        |
| DAC[9:0]N   | TX12, TX16, TX23, TX27, TX31, TX35, TX32, TX36, TX29, TX25 | O   | DAC negative output        |
| DAC[15:10]N | TX11, TX7, TX3, TX1, TX5, TX9,                             | O   | DAC negative output        |
| DAC[9:0]N   | TX13, TX17, TX22, TX26, TX30, TX34, TX33, TX37, TX28, TX24 | O   | DAC negative output        |
| DACCLK      | TX21                                                       | O   | Clock to DAC               |
| DACCLKC     | TX20                                                       | O   | Complementary clock to DAC |
| DACSYNCP    | TX14                                                       | O   | Positive output data sync  |
| DACSYNCP    | TX15                                                       | O   | Negative output data sync  |

## FB INPUT FROM LVDS ADC

Figure 6 shows the ADC data and clock signals to the GC5328. These tables list the specific ADC-to-GC5328 FB connections. There are two feedback (FB) ports, A and B. Port A has faster timing and is preferred. There are several ADC styles:

- LVDS DDR – ADS5545 (ADS61x9, ADS5517)
- LVDS DDR – ADS62C17 – reversed data alignment (same connections as ADS5545)
- LVDS SDR – ADS5544

ADCs are typically connected to the GC5328 so the MSB of the ADC is connected to FB port A MSB. The lower bit numbers follow until the ADC bits are all connected. Any remaining lower-order bits on the FB port should be terminated with resistors, P connection to GND, N connection to 1.8 V as a logic 0. See the GC5325 schematic listed under [References](#) for an example.

**NOTE**

There are special connections for shared-feedback ADCs between GC5328s. See the GC5325 schematic diagram for the shared feedback connection to (2) GC5328.

**Table 4. Single LVDS SDR ADC to FB Ports A and B**

| PIN NAME    | PIN NUMBER                                                 | I/O | DESCRIPTION                          |
|-------------|------------------------------------------------------------|-----|--------------------------------------|
| ADC[15:10]P | FB2, FB4, FB6, FB8, FB10, FB12                             | I   | ADC positive feedback from PA output |
| DAC[9:0]P   | FB14, FB16, FB20, FB22, FB24, FB26, FB28, FB30, FB32, FB34 | I   | ADC negative feedback from PA output |
| ADC[15:10]N | FB3, FB5, FB7, FB9, FB11, FB13                             | I   | ADC negative feedback from PA output |
| ADC[9:0]N   | FB15, FB17, FB21, FB23, FB25, FB27, FB29, FB31, FB33, FB35 | I   | ADC negative feedback from PA output |
| ADCCLK      | FB0                                                        | I   | Clock from ADC                       |
| ADCCLKC     | FB1                                                        | I   | Complementary clock from ADC         |

**Table 5. Single LVDS DDR ADC to FB Port A (Preferred)**

| PIN NAME   | PIN NUMBER                                 | I/O | DESCRIPTION                            |
|------------|--------------------------------------------|-----|----------------------------------------|
| ADCA[7:0]P | FB2, FB4, FB6, FB8, FB10, FB12, FB14, FB16 | I   | ADC-A positive feedback from PA output |
| ADC[9:0]P  | FB3, FB5, FB7, FB9, FB11, FB13, FB15, FB17 | I   | ADC-A negative feedback from PA output |
| ADCACLK    | FB0                                        | I   | Clock from ADC-A                       |
| ADCACLKC   | FB1                                        | I   | Complementary clock from ADC-A         |

**Table 6. Single LVDS DDR ADC to FB Port B**

| PIN NAME   | PIN NUMBER                                     | I/O | DESCRIPTION                            |
|------------|------------------------------------------------|-----|----------------------------------------|
| ADCB[7:0]P | FB20, FB22, FB24, FB26, FB28, FB30, FB32, FB34 | I   | ADC-B positive feedback from PA output |
| ADCB[7:0]N | FB21, FB23, FB25, FB27, FB29, FB31, FB33, FB35 | I   | ADC-B negative feedback from PA output |
| ADCBCLK    | FB18                                           | I   | Clock from ADC-B                       |
| ADCBCLKC   | FB19                                           | I   | Complementary clock from ADC-B         |

**MPU INTERFACE GUIDELINES**

The following section describes the hardware interface between the recommended microprocessor, external memory, and the GC5328. Users may select a microprocessor that meets their specific system requirements. Although the hardware can support multiple options, the recommended TMS320C6727 DSP is also fully supported with host control and adaptation software. [Figure 7](#) and [Figure 9](#) illustrate the hardware interface between the DSP, GC5328, and SDRAM. The external memory is required to accommodate the computational efforts of the adaptation algorithm. Although the system evaluation kit suggests dual-parallel 64-Mb/PC133 (128-Mb) memory modules provided by Samsung (K4S641632H-TC(L)75), other memory alternatives are available.

The use of an external inverter with minimal propagation delay is required for OEB of the GC5328; this device is necessary when using a TMS320C6727 DSP. Additional documentation for the hardware interface is available in the *TMS320C672x Hardware Designer's Resource Guide* application report ([SPRAA87](#)) and *TMS320C672x DSP External Memory Interface (EMIF) user's guide* ([SPRU711](#)).

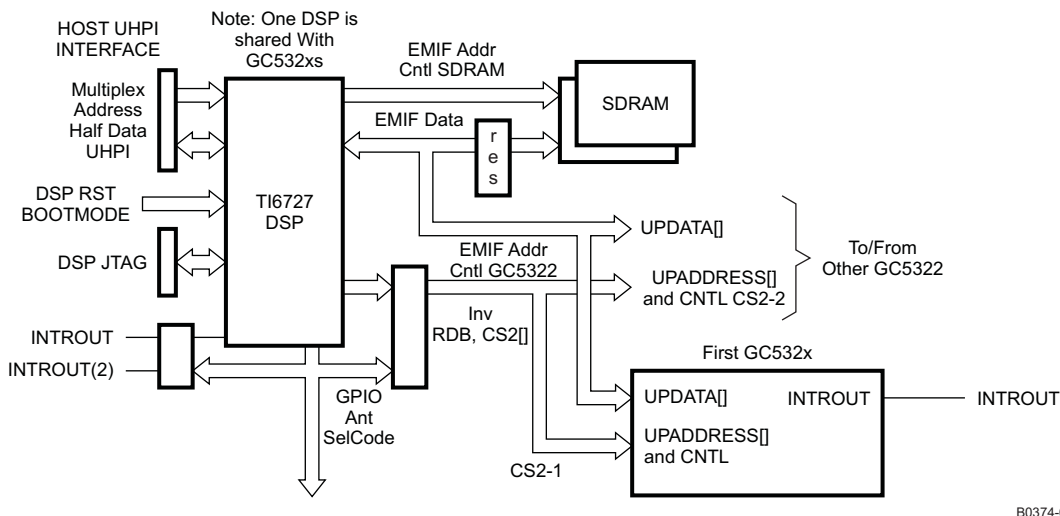


Figure 9. DSP-to-GC5328 EMIF Interface Specifications

**ABSOLUTE MAXIMUM RATINGS**

|                                    |                                                                           | VALUE                            | UNIT |
|------------------------------------|---------------------------------------------------------------------------|----------------------------------|------|
| V <sub>DD</sub> , V <sub>DDA</sub> | Core supply voltage                                                       | -0.3 to 1.32                     | V    |
| V <sub>DDS</sub>                   | Digital supply voltage for TX                                             | -0.3 to 2                        | V    |
| V <sub>DDSHV</sub>                 | Digital supply voltage                                                    | -0.3 to 3.6                      | V    |
| V <sub>IN</sub>                    | Input voltage (under/overshoot)                                           | -0.5 to V <sub>DDSHV</sub> + 0.5 | V    |
|                                    | Clamp current for an input/output                                         | -20 to 20                        | mA   |
| T <sub>stg</sub>                   | Storage temperature                                                       | -65 to 150                       | °C   |
|                                    | Lead soldering temperature, 10 seconds                                    | 300                              | °C   |
| ESD classification Class 2         | (Required 2-kV HBM, 500-V CDM)                                            |                                  |      |
|                                    | (Passed 2.5-kV HBM, 500-V CDM, 200-V MM)                                  |                                  |      |
|                                    | Moisture sensitivity Class 3 (floor life at 30°C/60% H)                   | 1                                | week |
|                                    | Reflow conditions JEDEC standard                                          | 260                              | °C   |
| Latchup                            | JEDEC Level 2 per JEDEC 78 standard (at 90°C and 1.5 × V <sub>max</sub> ) | ±100                             | mA   |

**RECOMMENDED OPERATING CONDITIONS**

over operating free-air temperature range (unless otherwise noted)

|                                                                           |                                                                                                           | MIN                | TYP | MAX             | UNIT  |
|---------------------------------------------------------------------------|-----------------------------------------------------------------------------------------------------------|--------------------|-----|-----------------|-------|
| V <sub>DD</sub> , V <sub>DDA2</sub> , V <sub>PP</sub>                     | Core supply voltages. Note V <sub>DDA2</sub> ≤ V <sub>DD</sub>                                            | 1.14               | 1.2 | 1.26            | V     |
| V <sub>DDA1</sub>                                                         | Analog supply for DPD PLL                                                                                 | See <sup>(1)</sup> | 1   | V <sub>DD</sub> | V     |
| V <sub>DDS</sub>                                                          | Digital supply voltage for TX                                                                             | 1.71               | 1.8 | 1.89            | V     |
| V <sub>DDSHV</sub>                                                        | Digital supply voltage                                                                                    | 3.15               | 3.3 | 3.45            | V     |
| I <sub>DD</sub> , I <sub>DDA1</sub> , I <sub>DDA2</sub> , I <sub>PP</sub> | Combined supply current for V <sub>dd</sub> , V <sub>dda1</sub> , V <sub>dda2</sub> , and V <sub>pp</sub> |                    |     | 3               | A     |
| I <sub>DDS</sub>                                                          | Digital supply current for TX                                                                             |                    |     | 0.25            | A     |
| I <sub>DDSHV</sub>                                                        | Digital supply current                                                                                    |                    |     | 0.3             | A     |
| T <sub>C</sub>                                                            | Case temperature                                                                                          | See <sup>(2)</sup> | -40 | 30              | 85 °C |

(1) V<sub>DDA1</sub> must be less than V<sub>DD1</sub> when V<sub>DD1</sub> is low. See recommended filtering circuit in Figure 1. Maximum observed current on V<sub>DDA1</sub> is 8 mA.

(2) Chip specifications in are production tested to 90°C case temperature. QA tests are performed at 85°C.

## RECOMMENDED OPERATING CONDITIONS (continued)

over operating free-air temperature range (unless otherwise noted)

|       |                      | MIN                | TYP | MAX | UNIT |    |
|-------|----------------------|--------------------|-----|-----|------|----|
| $T_J$ | Junction temperature | See <sup>(3)</sup> |     |     | 105  | °C |

- (3) Thermal management may be required for full-rate operation. Sustained operation at elevated temperatures reduces long-term reliability. Lifetime calculations based on maximum junction temperature of 105°C.

## THERMAL CHARACTERISTICS<sup>(1)</sup>

| PARAMETER         |                                                     | 484 BGA AT 2.5 W | UNITS |
|-------------------|-----------------------------------------------------|------------------|-------|
| $R_{\theta JA}$   | Thermal resistance, junction-to-ambient (still air) | 18               | °C/W  |
| $R_{\theta JMA1}$ | Thermal resistance, junction-to-ambient (1 m/s)     | 14.3             | °C/W  |
| $R_{\theta JC}$   | Thermal resistance, junction-to-case                | 6.8              | °C/W  |
| $R_{\theta JB}$   | Thermal resistance, junction-to-board               | 8                | °C/W  |

- (1) Customer must check that heat removal is appropriate for the application to limit the junction temperature ( $T_J$ ) as specified in the Recommended Operating Conditions. Conducting heat through the ground and power balls, or adding a heat sink and airflow, may be needed to limit junction temperature.

## ELECTRICAL CHARACTERISTICS

Describes the electrical characteristics for the baseband interface, multifunction I/O (MFIO), DPD clock and fast sync, MPU and JTAG interfaces over recommended operating conditions. Device is production tested at 90°C for the given specification and characterized at –40°C (unless otherwise noted).

| PARAMETER                                           |                                                                 | TEST CONDITIONS                                           | MIN  | TYP         | MAX  | UNIT |
|-----------------------------------------------------|-----------------------------------------------------------------|-----------------------------------------------------------|------|-------------|------|------|
| <b>CMOS INTERFACE</b>                               |                                                                 |                                                           |      |             |      |      |
| $V_{IL}$                                            | CMOS voltage input, low                                         |                                                           |      |             | 0.8  | V    |
| $V_{IH}$                                            | CMOS voltage input, high                                        |                                                           | 2    | $V_{DDSHV}$ |      | V    |
| $V_{OL}$                                            | CMOS voltage output, low                                        | $I_{OL} = 2 \text{ mA}$                                   |      |             | 0.5  | V    |
| $V_{OH}$                                            | CMOS voltage output, high                                       | $I_{OH} = -2 \text{ mA}$                                  | 2.4  | $V_{DDSHV}$ |      | V    |
| $ I_{PU} $                                          | Pullup current                                                  | $V_{IN} = 0 \text{ V}$                                    | 40   | 100         | 200  | μA   |
| $ I_{IN} $                                          | Leakage current                                                 | $V_{IN} = 0 \text{ or } V_{IN} = V_{DDSHV}$               |      |             | 5    | μA   |
| <b>DAC INTERFACE (DACP/N[15:0])</b>                 |                                                                 |                                                           |      |             |      |      |
| $V_{o(\text{diff})}$                                | Output differential swing                                       | $ V_{OD}  =  V_{OH} - V_{OL} ^{(1)}$                      | 250  |             |      | mV   |
| $V_{\text{comm}}$                                   | Common mode                                                     | $(V_{OH} + V_{OL}) / 2^{(1)}$                             | 1000 |             |      | mV   |
| <b>LVDS INTERFACE (FB[35:0], DPDCLK/C, SYNCD/C)</b> |                                                                 |                                                           |      |             |      |      |
| $V_I$                                               | Input voltage range                                             |                                                           |      | 0           | 2000 | mV   |
| $V_{I(\text{diff})}$                                | Input differential voltage, $ V_{\text{pos}} - V_{\text{neg}} $ | $0 < V_i < 2000 \text{ mV}$                               |      | 250         |      | mV   |
|                                                     |                                                                 | $1000 \text{ mV} < V_i < 1400 \text{ mV}$ , FB[35:0] only | 90   |             |      |      |
| $R_{IN}$                                            | Input differential impedance                                    |                                                           |      | 80          | 120  | Ω    |
| <b>POWER SUPPLY</b>                                 |                                                                 |                                                           |      |             |      |      |
| $I_{\text{dyn}}$                                    | Core current                                                    | See <sup>(2)</sup>                                        |      |             | 1.7  | A    |

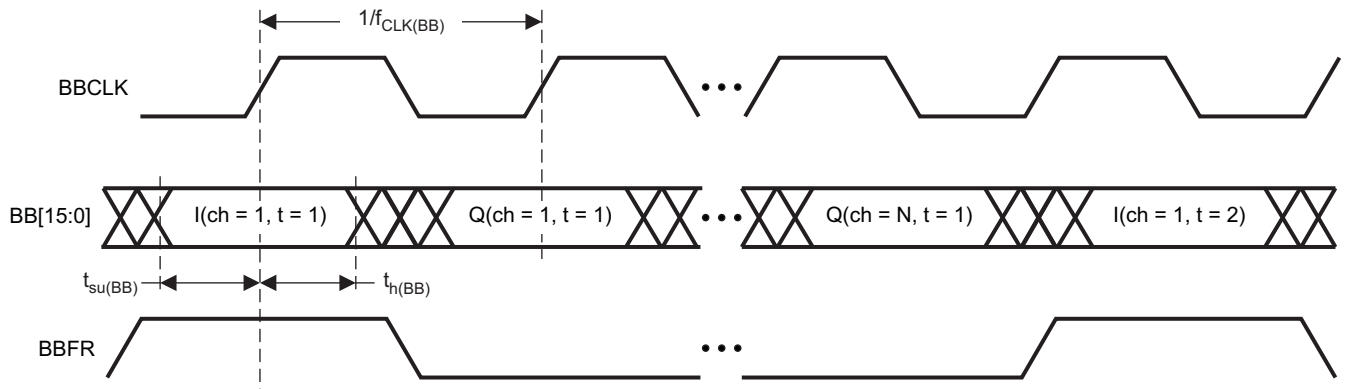
- (1) HSTL output levels measured at 675 Mb/s delay and with 100-Ω load from P to N. Drive strength set to 0x360.  
 (2) 400-Mbps DAC signal, 200-MHz DPD clock, maximum filtering, 70-MHz BBPLL clock input



### SWITCHING CHARACTERISTICS

Describes the electrical characteristics for the baseband interface, MFIO[19,18]. Sync A, B, C, and BB Clock over recommended operating conditions (unless otherwise noted)

| PARAMETER                 |                                               | TEST CONDITIONS                                    | MIN | MAX | UNIT |
|---------------------------|-----------------------------------------------|----------------------------------------------------|-----|-----|------|
| <b>BASEBAND INTERFACE</b> |                                               |                                                    |     |     |      |
| $f_{CLK(BB)}$             | Baseband input clock frequency                | GPP is ACTIVE                                      | 25  | 70  | MHz  |
|                           |                                               | GPP is BYPASSED                                    | 25  | 70  |      |
| $t_{su(BB)}$              | Input data setup time before BBCLK $\uparrow$ | BB[15:0], BBFR, SYNCA, SYNCB, and SYNCC; MFIO18/19 | 1.3 |     | ns   |
| $t_{h(BB)}$               | Input data hold time after BBCLK $\uparrow$   | BB[15:0], BBFR, MFIO18/19                          | 1.5 |     | ns   |
| $t_{h(SYNCA, -B, -C)}$    | Input data hold time after BBCLK $\uparrow$   | Valid for SYNCA, SYNCB, and SYNCC                  | 2   |     | ns   |
| Duty $_{CLK(BB)}$         | Duty cycle                                    |                                                    | 30% | 70% |      |



T0284-01

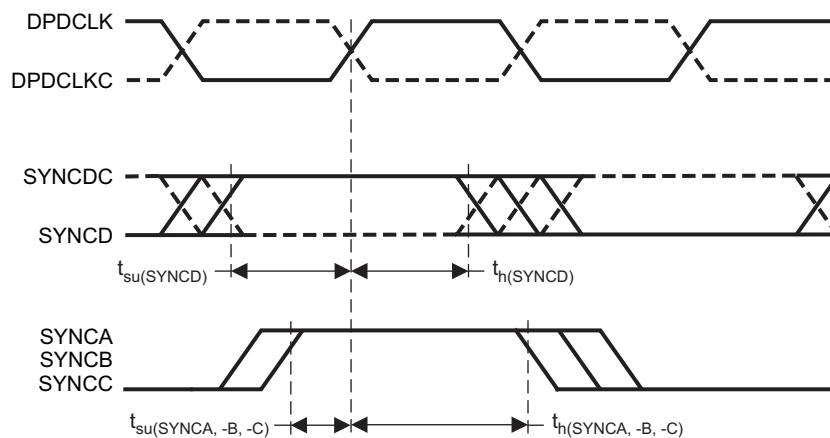
Figure 10. Baseband Timing Specifications

## DPD CLOCK AND FAST SYNC SWITCHING CHARACTERISTICS

| PARAMETER                          |                                          | TEST CONDITIONS    | MIN   | MAX  | UNIT |
|------------------------------------|------------------------------------------|--------------------|-------|------|------|
| $f_{CLK(DPD)}$                     | DPD input clock frequency                |                    | 100   | 200  | MHz  |
| $Duty_{CLK(DPD)}$                  | DPD input clock duty cycle               |                    | 30%   | 70%  |      |
| $t_{h(SYNCD)}$                     | Input hold time after DPDCLK $\uparrow$  | See <sup>(1)</sup> | 0.2   |      | ns   |
| $t_{su(SYNCD)}$                    | Input setup time after DPDCLK $\uparrow$ | See <sup>(1)</sup> | 0.4   |      | ns   |
| $t_{h(SYNCA, -B, -C)}$             | Input hold time after DPDCLK $\uparrow$  |                    | 2     |      | ns   |
| $t_{su(SYNCA, -B, -C)}$            | Input setup time after DPDCLK $\uparrow$ |                    | 0.4   |      | ns   |
| $Jitter_{CLK(DPD)}$ <sup>(2)</sup> | Cycle-to cycle jitter                    |                    | -2.5% | 2.5% |      |

(1) Controlled by design and process

(2) Jitter is based on a period of  $(1/(DPDClk \times 2))$  (for BUC Interp 1 or 2);  $(1/(DPDClk \times 3))$  (for BUC Interp 1.5 or 3).



T0286-01

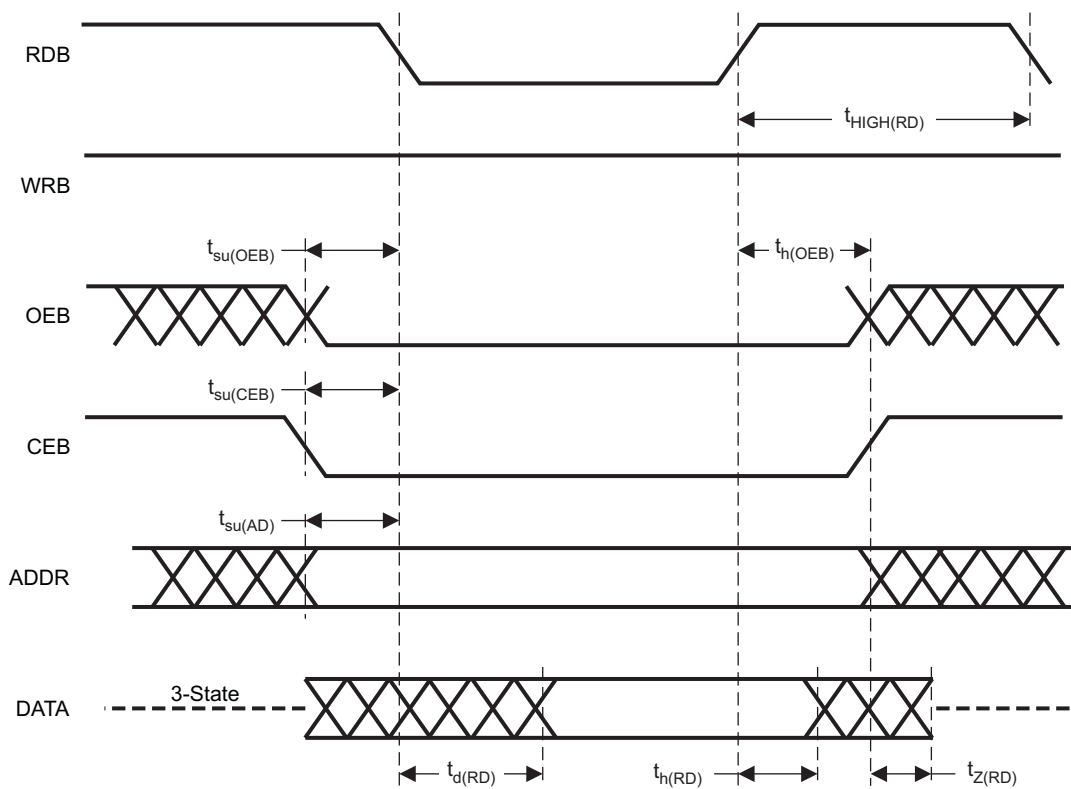
**Figure 11. DPD Clock and Fast Sync Timing Specifications**

### MPU SWITCHING CHARACTERISTICS (READ)

over operating free-air temperature range (unless otherwise noted)

| PARAMETER      | TEST CONDITIONS                                      | MIN | MAX | UNIT |
|----------------|------------------------------------------------------|-----|-----|------|
| $t_{su(AD)}$   | ADDR setup time to RDB↓                              |     |     | ns   |
| $t_{su(CEB)}$  | CEB setup time to RDB↓                               |     |     | ns   |
| $t_{su(OEB)}$  | OEB setup time to RDB↓                               |     |     | ns   |
| $t_{d(RD)}$    | DATA valid time after RDB↓                           |     | 14  | ns   |
| $t_{h(RD)}$    | ADDR hold time to RDB↑<br>OEB, CEB hold time to RDB↑ |     |     | ns   |
| $t_{HIGH(RD)}$ | Time RDB must remain HIGH between READs.             |     | 7   | ns   |
| $t_{Z(RD)}$    | DATA goes high-impedance after OEB↑ or RDB↑          |     | 7   | ns   |

(1) Controlled by design and process and not directly tested.

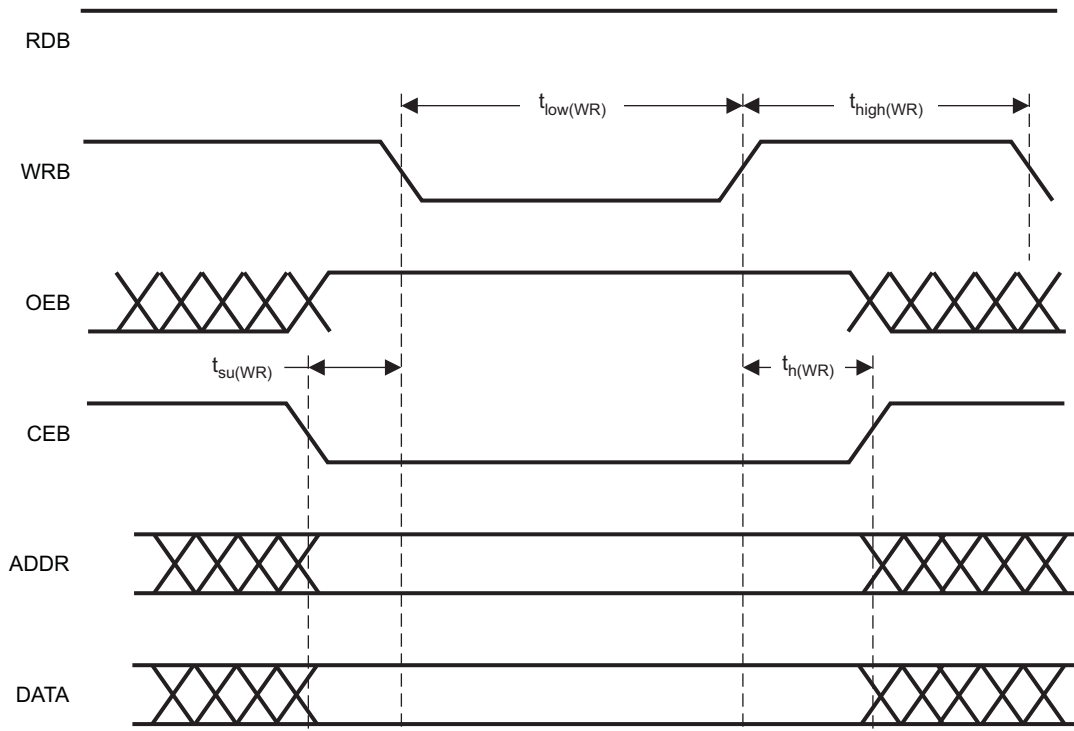


T0287-01

Figure 12. MPU READ Timing Specifications

**MPU SWITCHING CHARACTERISTICS (WRITE)**

| PARAMETER      |                                                 | TEST CONDITIONS      | MIN | MAX | UNIT |
|----------------|-------------------------------------------------|----------------------|-----|-----|------|
| $t_{su(WR)}$   | DATA and ADDR setup time to WRB $\downarrow$    |                      | 5   |     | ns   |
|                | CEB setup time to WRB $\downarrow$              | OEB and RDB are HIGH | 7   |     |      |
|                | OEB setup time to WRB $\downarrow$              |                      | 2   |     |      |
| $t_{h(WR)}$    | DATA and ADDR hold time after WRB $\uparrow$    | OEB and RDB are HIGH | 2   |     | ns   |
|                | OEB and CEB hold time after WRB $\uparrow$      |                      | 0   |     |      |
| $t_{low(WR)}$  | Time WRB and CEB must remain simultaneously LOW | OEB and RDB are HIGH | 15  |     | ns   |
| $t_{high(WR)}$ | Time CEB or WRB must remain HIGH between WRITES | OEB and RDB are HIGH | 10  |     | ns   |



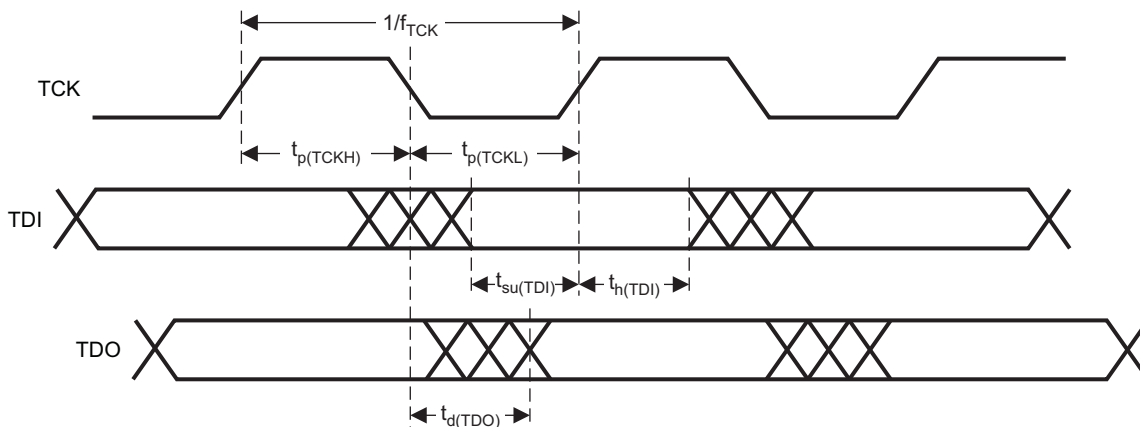
T0288-01

**Figure 13. MPU WRITE Timing Specifications**

### JTAG SWITCHING CHARACTERISTICS

over operating free-air temperature range (unless otherwise noted)

| TEST CONDITIONS PARAMETER |                                             | MIN                   | MAX | UNIT |
|---------------------------|---------------------------------------------|-----------------------|-----|------|
| $f_{TCK}$                 | JTAG clock frequency                        |                       | 50  | MHz  |
| $t_{p(TCKL)}$             | JTAG clock low period                       | 10                    |     | ns   |
| $t_{p(TCKH)}$             | JTAG clock high period                      | 10                    |     | ns   |
| $t_{su(TDI)}$             | Input data setup time before TCK $\uparrow$ | Valid for TDI and TMS | 1   | ns   |
| $t_{h(TDI)}$              | Input data hold time after TCK $\uparrow$   | Valid for TDI and TMS | 6   | ns   |
| $t_{d(TDO)}$              | Output data delay from TCK $\downarrow$     |                       | 8   | ns   |



T0289-01

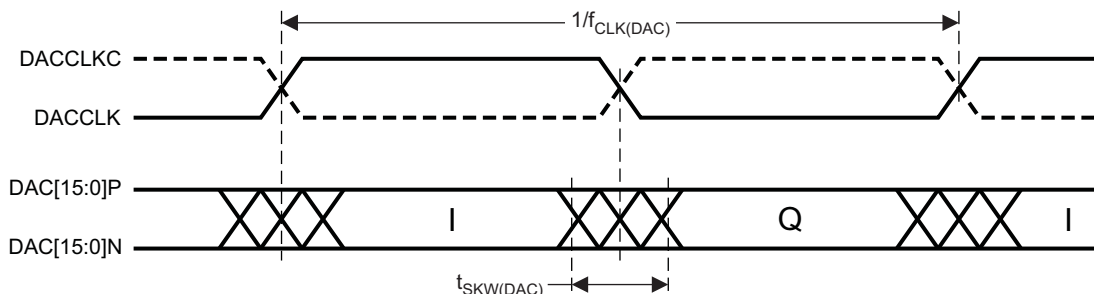
Figure 14. JTAG Timing Specifications

### TX SWITCHING CHARACTERISTICS

over operating free-air temperature range (unless otherwise noted)

| PARAMETER                          | TEST CONDITIONS            | MIN                      | TYP | MAX | UNIT |
|------------------------------------|----------------------------|--------------------------|-----|-----|------|
| <b>HSTL MODE – DDR ex. DAC5682</b> |                            |                          |     |     |      |
| $f_{CLK(DAC)}$                     | DAC output clock frequency | $R_L = 100 \Omega^{(1)}$ |     | 300 | MHz  |
| $t_{SKW(DAC)}$                     | DACCLK to DAC data         | $R_L = 100 \Omega^{(2)}$ |     | TBD | ps   |

- (1) Because the output clock is DDR, the data rate is 2x the  $f_{CLK}$  rate;  $f_{CLK(DAC)} = (BUC \text{ Interp} \times DPDClk / 2)$ .
- (2)  $t_{SKW(DAC)}$  data clock-to-data is measured during characterization.



T0290-01

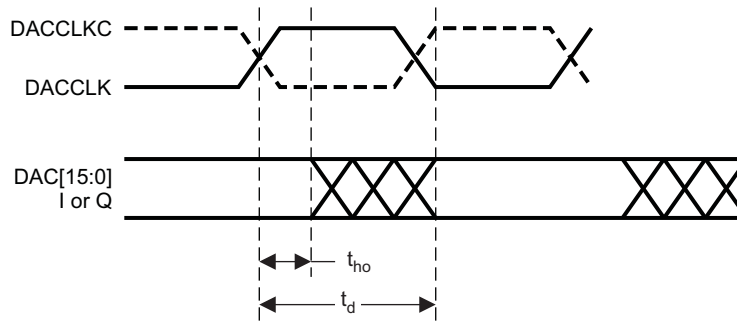
Figure 15. TX Timing Specifications (HSTL – DDR)

## TX SWITCHING CHARACTERISTICS

over recommended operating conditions (unless otherwise noted)

| PARAMETER                          |                              | TEST CONDITIONS          | MIN | TYP | MAX | UNIT |
|------------------------------------|------------------------------|--------------------------|-----|-----|-----|------|
| <b>HSTL MODE – SDR ex. DAC5688</b> |                              |                          |     |     |     |      |
| $f_{\text{CLK(DAC)}}$              | DAC output clock frequency   | 2-mA load <sup>(1)</sup> |     |     | 200 | MHz  |
| $t_d$                              | DACCLK-to-DACData delay time | 2-mA load <sup>(2)</sup> |     |     | 1.5 | ns   |
| $t_{\text{ho}}$                    | DACCLK-to-DACData hold time  | 2-mA load <sup>(2)</sup> | 1.5 |     |     | ns   |

- (1) Because the output clock is SDR, the positive edge of the clock is used to register the data at the DAC receiver. The clock rate is limited to 200 MHz.
- (2)  $t_d$  and  $t_{\text{ho}}$  data clock-to-data is measured during characterization.



T0448-01

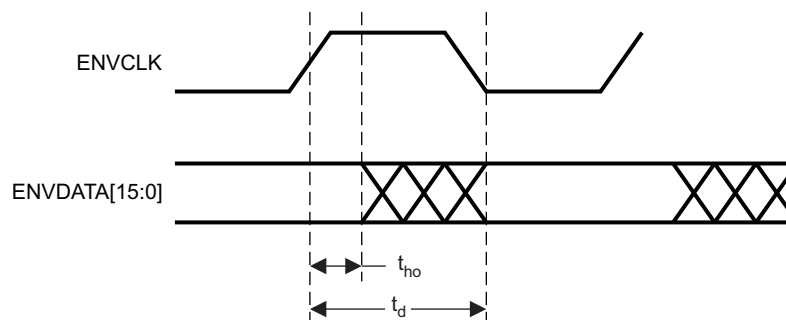
Figure 16. TX Timing Specifications (HSTL – SDR)

## ENVELOPE SWITCHING CHARACTERISTICS

over recommended operating conditions (unless otherwise noted)

| PARAMETER                                    |                                      | TEST CONDITIONS          | MIN | TYP | MAX          | UNIT |
|----------------------------------------------|--------------------------------------|--------------------------|-----|-----|--------------|------|
| <b>MFIO CMOS – SDR to Envelope Modulator</b> |                                      |                          |     |     |              |      |
| $f_{\text{CLK(ENV)}}$                        | ENVELOPE data output clock frequency | 2-mA load <sup>(1)</sup> |     |     | DPDC<br>1k/2 | MHz  |
| $t_d$                                        | ENVCLK-to-ENVData delay time         | 2-mA load <sup>(2)</sup> |     |     | 1.5          | ns   |
| $t_{\text{ho}}$                              | ENVCLK-to-ENVData hold time          | 2-mA load <sup>(2)</sup> | 1.5 |     |              | ns   |

- (1) Envelope output is magnitude; this is a real output at a DPDC1k/2 (100-MHz) rate.
- (2)  $t_d$  and  $t_{\text{ho}}$  data clock-to-data is measured during characterization.



T0449-01

Figure 17. Envelope Timing (MFIO – CMOS 3.3 V)

## LVDS SWITCHING CHARACTERISTICS

over recommended operating conditions (unless otherwise noted). The following table uses a shorthand nomenclature, NxM. N means the number of differential pairs used to transmit data from one ADC, and M means the number of bits sent serially down each LVDS pair. Thus, 8x2 means eight LVDS pairs, each containing 2 bits of information sent serially. NOTE: The ADC clock rate must match the DPDClock rate for real feedback.

| PARAMETER                                     |                                                       | TEST CONDITIONS                    | MIN | TYP | MAX | UNIT |
|-----------------------------------------------|-------------------------------------------------------|------------------------------------|-----|-----|-----|------|
| <b>16x1 SDR LVDS MODE ex. ADS5444</b>         |                                                       |                                    |     |     |     |      |
| $f_{CLK(ADC)}$                                | ADC interface clock frequency                         | See <sup>(1)</sup>                 |     |     | 200 | MHz  |
| $t_{su(ADC\#]P)}$                             | Input data setup time before CLK $\uparrow$           | See <sup>(1)</sup> (2)             | 300 |     |     | ps   |
| $t_{h(ADC\#]P)}$                              | Input data hold time after CLK $\uparrow$             | See <sup>(1)</sup> (2)             | 600 |     |     | ps   |
| <b>8x2 DDR LVDS MODE ex. ADS5545, ADS6149</b> |                                                       |                                    |     |     |     |      |
| $f_{CLK(ADCA)}$                               | ADCA interface clock frequency                        | See <sup>(1)</sup>                 |     |     | 200 | MHz  |
| $t_{su(ADCA\#]2]P)}$                          | Input data setup time before CLK $\uparrow\downarrow$ | See <sup>(1)</sup> (3). For port A | 430 |     |     | ps   |
| $t_{h(ADCA\#]2]P)}$                           | Input data hold time after CLK $\uparrow\downarrow$   | See <sup>(1)</sup> (3). For port A | 260 |     |     | ps   |
| $f_{CLK(ADCB)}$                               | ADCB interface clock frequency                        | See <sup>(1)</sup>                 |     |     | 200 | MHz  |
| $t_{su(ADCB\#]2]P)}$                          | Input data setup time before CLK $\uparrow\downarrow$ | See <sup>(1)</sup> (4). For port B | 800 |     |     | ps   |
| $t_{h(ADCB\#]2]P)}$                           | Input data hold time after CLK $\uparrow\downarrow$   | See <sup>(1)</sup> (4). For port B | 400 |     |     | ps   |

- (1) Specifications are limited by GC5328 performance and may exceed the example ADC capabilities for the given interface.
- (2) Setup and hold measured for ADC[15:0]P, ADC[15:0]N valid for (VOD > 250 mV) to/from ADCCLK and ADCCLKC clock crossing (VOD = 0).
- (3) Setup and hold measured for ADCA[7:0]P, ADCA[7:0]N valid for (VOD > 250 mV) to/from ADCACLK and ADCACLKC clock crossing (VOD = 0).
- (4) Setup and hold measured for ADCB[7:0]P, ADCB[7:0]N valid for (VOD > 250 mV) to/from ADCBCLK and ADCBCLKC clock crossing (VOD = 0).

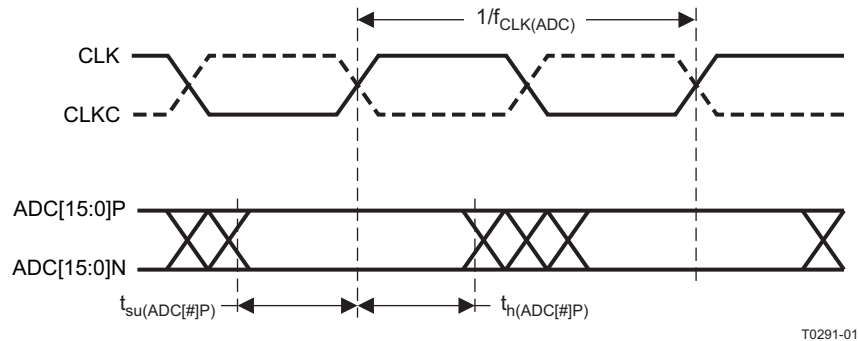


Figure 18. LVDS Timing Specification (16x1 SDR LVDS)

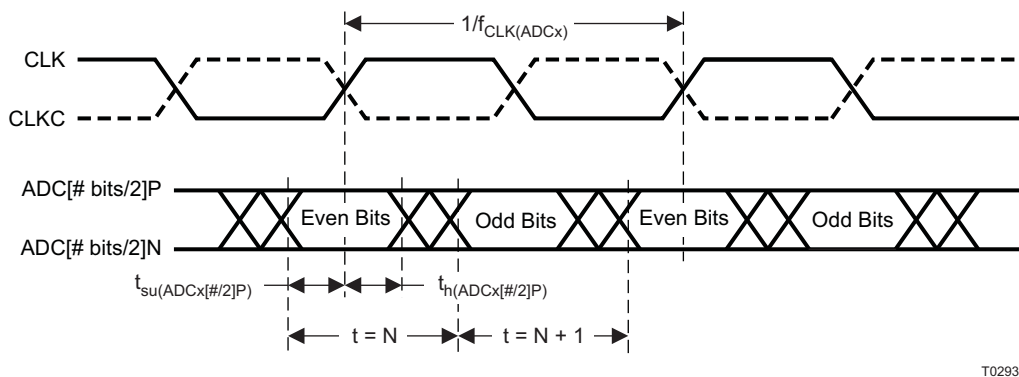


Figure 19. LVDS Timing Specification (8x2 DDR LVDS)

## GLOSSARY OF TERMS

|        |                                                                                                                    |
|--------|--------------------------------------------------------------------------------------------------------------------|
| 3G     | Third-generation (refers to next-generation wideband cellular systems that use CDMA)                               |
| 3GPP   | Third-generation partnership project (W-CDMA specification, <a href="http://www.3gpp.org">www.3gpp.org</a> )       |
| 3GPP2  | Third-generation partnership project 2 (cdma2000 specification, <a href="http://www.3gpp2.org">www.3gpp2.org</a> ) |
| ACLR   | Adjacent channel leakage ratio (measure of out-of-band energy from one CDMA carrier)                               |
| ACPR   | Adjacent channel power ratio                                                                                       |
| ADC    | Analog-to-digital converter                                                                                        |
| BW     | Bandwidth                                                                                                          |
| CCDF   | Complementary cumulative distribution function                                                                     |
| CDMA   | Code division multiple access (spread spectrum)                                                                    |
| CEVM   | Composite error vector magnitude                                                                                   |
| CFR    | Crest factor reduction                                                                                             |
| CMOS   | Complementary metal oxide semiconductor                                                                            |
| DAC    | Digital-to-analog converter                                                                                        |
| dB     | Decibels                                                                                                           |
| dBm    | Decibels relative to 1 mW (30 dBm = 1 W)                                                                           |
| DDR    | Dual data rate (ADC output format)                                                                                 |
| DSP    | Digital signal processing or digital signal processor                                                              |
| DUC    | Digital upconverter (usually provides the GC5328 input)                                                            |
| EVM    | Error vector magnitude                                                                                             |
| FIR    | Finite impulse response (type of digital filter)                                                                   |
| I/Q    | In-phase and quadrature (signal representation)                                                                    |
| IF     | Intermediate frequency                                                                                             |
| IIR    | Infinite impulse response (type of digital filter)                                                                 |
| JTAG   | Joint Test Action Group (chip debug and test standard 1149.1)                                                      |
| LO     | Local oscillator                                                                                                   |
| LSB    | Least-significant bit                                                                                              |
| Mb     | Megabits (divide by 8 for megabytes MB)                                                                            |
| MSB    | Most-significant bit                                                                                               |
| MSPS   | Megasamples per second ( $1 \times 10^6$ samples/s)                                                                |
| PA     | Power amplifier                                                                                                    |
| PAR    | Peak-to-average ratio                                                                                              |
| PCDE   | Peak code domain error                                                                                             |
| PDC    | Peak detection and cancellation (stage)                                                                            |
| PDF    | Probability density function                                                                                       |
| RF     | Radio frequency                                                                                                    |
| RMS    | Root mean square (method to quantify error)                                                                        |
| SDR    | Single data rate (ADC output format)                                                                               |
| SEM    | Spectrum emission mask                                                                                             |
| SNR    | Signal-to-noise ratio (usually measured in dB or dBm)                                                              |
| UMTS   | Universal mobile telephone service                                                                                 |
| W-CDMA | Wideband code division multiple access (synonymous with 3GPP)                                                      |
| WiBRO  | Wireless broadband (Korean initiative IEEE 802.16e)                                                                |
| WiMAX  | Worldwide Interoperability of Microwave Access (IEEE 802.16e)                                                      |



**PACKAGING INFORMATION**

| Orderable Device | Status<br>(1) | Package Type | Package<br>Drawing | Pins | Package<br>Qty | Eco Plan<br>(2)   | Lead/Ball Finish<br>(6) | MSL Peak Temp<br>(3) | Op Temp (°C) | Device Marking<br>(4/5) | Samples |
|------------------|---------------|--------------|--------------------|------|----------------|-------------------|-------------------------|----------------------|--------------|-------------------------|---------|
| GC5328IZER       | LIFEBUY       | BGA          | ZER                | 484  | 60             | Pb-Free<br>(RoHS) | SNAGCU                  | Level-4-260C-72HRS   | -40 to 85    | GC5328IZER<br>TX SECTOR |         |

(1) The marketing status values are defined as follows:

**ACTIVE:** Product device recommended for new designs.

**LIFEBUY:** TI has announced that the device will be discontinued, and a lifetime-buy period is in effect.

**NRND:** Not recommended for new designs. Device is in production to support existing customers, but TI does not recommend using this part in a new design.

**PREVIEW:** Device has been announced but is not in production. Samples may or may not be available.

**OBSOLETE:** TI has discontinued the production of the device.

(2) **RoHS:** TI defines "RoHS" to mean semiconductor products that are compliant with the current EU RoHS requirements for all 10 RoHS substances, including the requirement that RoHS substance do not exceed 0.1% by weight in homogeneous materials. Where designed to be soldered at high temperatures, "RoHS" products are suitable for use in specified lead-free processes. TI may reference these types of products as "Pb-Free".

**RoHS Exempt:** TI defines "RoHS Exempt" to mean products that contain lead but are compliant with EU RoHS pursuant to a specific EU RoHS exemption.

**Green:** TI defines "Green" to mean the content of Chlorine (Cl) and Bromine (Br) based flame retardants meet JS709B low halogen requirements of <=1000ppm threshold. Antimony trioxide based flame retardants must also meet the <=1000ppm threshold requirement.

(3) MSL, Peak Temp. - The Moisture Sensitivity Level rating according to the JEDEC industry standard classifications, and peak solder temperature.

(4) There may be additional marking, which relates to the logo, the lot trace code information, or the environmental category on the device.

(5) Multiple Device Markings will be inside parentheses. Only one Device Marking contained in parentheses and separated by a "~" will appear on a device. If a line is indented then it is a continuation of the previous line and the two combined represent the entire Device Marking for that device.

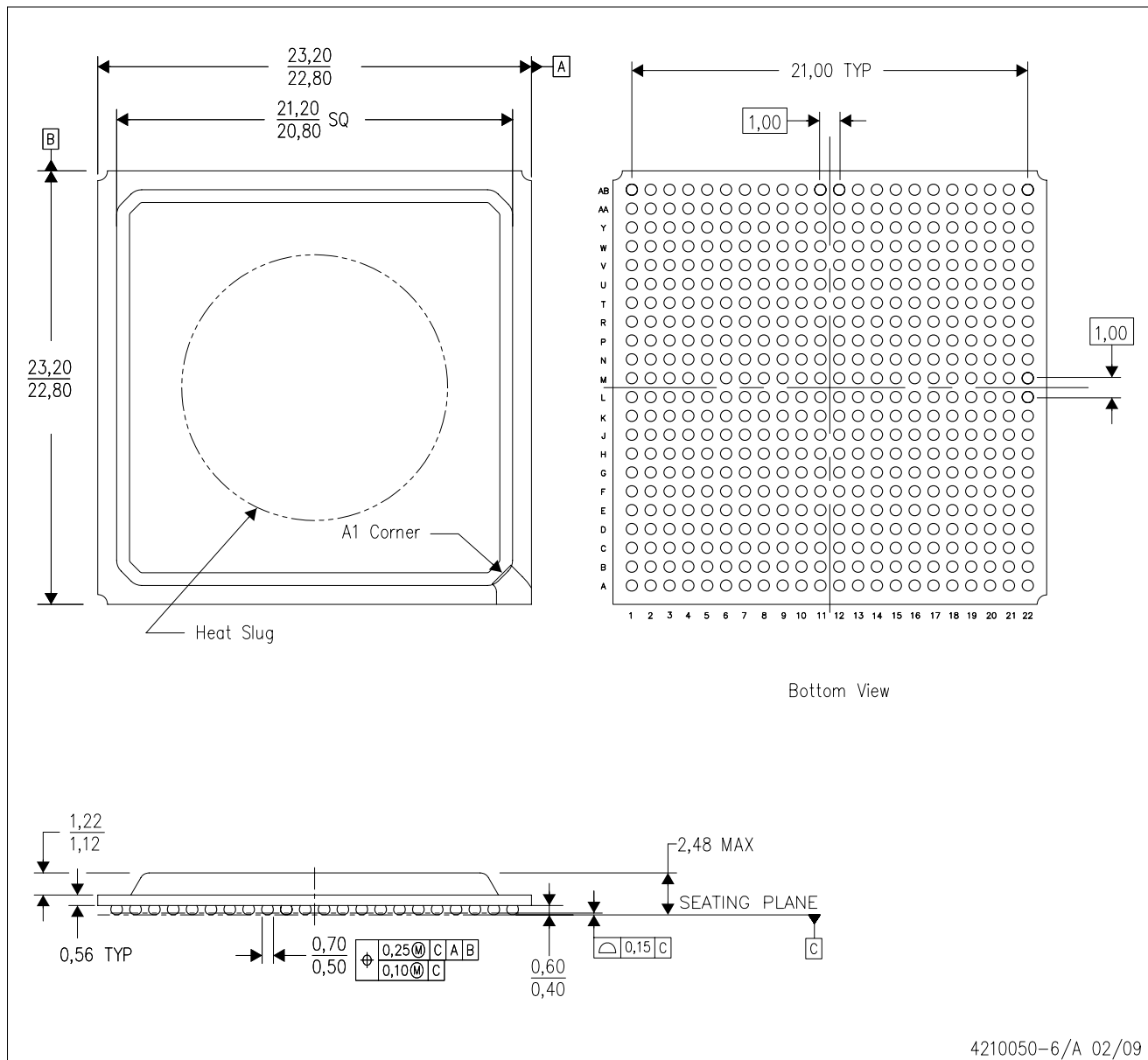
(6) Lead/Ball Finish - Orderable Devices may have multiple material finish options. Finish options are separated by a vertical ruled line. Lead/Ball Finish values may wrap to two lines if the finish value exceeds the maximum column width.

**Important Information and Disclaimer:**The information provided on this page represents TI's knowledge and belief as of the date that it is provided. TI bases its knowledge and belief on information provided by third parties, and makes no representation or warranty as to the accuracy of such information. Efforts are underway to better integrate information from third parties. TI has taken and continues to take reasonable steps to provide representative and accurate information but may not have conducted destructive testing or chemical analysis on incoming materials and chemicals. TI and TI suppliers consider certain information to be proprietary, and thus CAS numbers and other limited information may not be available for release.

In no event shall TI's liability arising out of such information exceed the total purchase price of the TI part(s) at issue in this document sold by TI to Customer on an annual basis.

ZER (S-PBGA-N484)

PLASTIC BALL GRID ARRAY



- NOTES:
- A. All linear dimensions are in millimeters.
  - B. This drawing is subject to change without notice.
  - C. Falls within JEDEC MO-151
  - D. Thermally enhanced molded plastic package with heat slug (HSL).
  - E. This is a Pb-free solder ball design.

## IMPORTANT NOTICE

Texas Instruments Incorporated (TI) reserves the right to make corrections, enhancements, improvements and other changes to its semiconductor products and services per JESD46, latest issue, and to discontinue any product or service per JESD48, latest issue. Buyers should obtain the latest relevant information before placing orders and should verify that such information is current and complete.

TI's published terms of sale for semiconductor products (<http://www.ti.com/sc/docs/stdterms.htm>) apply to the sale of packaged integrated circuit products that TI has qualified and released to market. Additional terms may apply to the use or sale of other types of TI products and services.

Reproduction of significant portions of TI information in TI data sheets is permissible only if reproduction is without alteration and is accompanied by all associated warranties, conditions, limitations, and notices. TI is not responsible or liable for such reproduced documentation. Information of third parties may be subject to additional restrictions. Resale of TI products or services with statements different from or beyond the parameters stated by TI for that product or service voids all express and any implied warranties for the associated TI product or service and is an unfair and deceptive business practice. TI is not responsible or liable for any such statements.

Buyers and others who are developing systems that incorporate TI products (collectively, "Designers") understand and agree that Designers remain responsible for using their independent analysis, evaluation and judgment in designing their applications and that Designers have full and exclusive responsibility to assure the safety of Designers' applications and compliance of their applications (and of all TI products used in or for Designers' applications) with all applicable regulations, laws and other applicable requirements. Designer represents that, with respect to their applications, Designer has all the necessary expertise to create and implement safeguards that (1) anticipate dangerous consequences of failures, (2) monitor failures and their consequences, and (3) lessen the likelihood of failures that might cause harm and take appropriate actions. Designer agrees that prior to using or distributing any applications that include TI products, Designer will thoroughly test such applications and the functionality of such TI products as used in such applications.

TI's provision of technical, application or other design advice, quality characterization, reliability data or other services or information, including, but not limited to, reference designs and materials relating to evaluation modules, (collectively, "TI Resources") are intended to assist designers who are developing applications that incorporate TI products; by downloading, accessing or using TI Resources in any way, Designer (individually or, if Designer is acting on behalf of a company, Designer's company) agrees to use any particular TI Resource solely for this purpose and subject to the terms of this Notice.

TI's provision of TI Resources does not expand or otherwise alter TI's applicable published warranties or warranty disclaimers for TI products, and no additional obligations or liabilities arise from TI providing such TI Resources. TI reserves the right to make corrections, enhancements, improvements and other changes to its TI Resources. TI has not conducted any testing other than that specifically described in the published documentation for a particular TI Resource.

Designer is authorized to use, copy and modify any individual TI Resource only in connection with the development of applications that include the TI product(s) identified in such TI Resource. NO OTHER LICENSE, EXPRESS OR IMPLIED, BY ESTOPPEL OR OTHERWISE TO ANY OTHER TI INTELLECTUAL PROPERTY RIGHT, AND NO LICENSE TO ANY TECHNOLOGY OR INTELLECTUAL PROPERTY RIGHT OF TI OR ANY THIRD PARTY IS GRANTED HEREIN, including but not limited to any patent right, copyright, mask work right, or other intellectual property right relating to any combination, machine, or process in which TI products or services are used. Information regarding or referencing third-party products or services does not constitute a license to use such products or services, or a warranty or endorsement thereof. Use of TI Resources may require a license from a third party under the patents or other intellectual property of the third party, or a license from TI under the patents or other intellectual property of TI.

TI RESOURCES ARE PROVIDED "AS IS" AND WITH ALL FAULTS. TI DISCLAIMS ALL OTHER WARRANTIES OR REPRESENTATIONS, EXPRESS OR IMPLIED, REGARDING RESOURCES OR USE THEREOF, INCLUDING BUT NOT LIMITED TO ACCURACY OR COMPLETENESS, TITLE, ANY EPIDEMIC FAILURE WARRANTY AND ANY IMPLIED WARRANTIES OF MERCHANTABILITY, FITNESS FOR A PARTICULAR PURPOSE, AND NON-INFRINGEMENT OF ANY THIRD PARTY INTELLECTUAL PROPERTY RIGHTS. TI SHALL NOT BE LIABLE FOR AND SHALL NOT DEFEND OR INDEMNIFY DESIGNER AGAINST ANY CLAIM, INCLUDING BUT NOT LIMITED TO ANY INFRINGEMENT CLAIM THAT RELATES TO OR IS BASED ON ANY COMBINATION OF PRODUCTS EVEN IF DESCRIBED IN TI RESOURCES OR OTHERWISE. IN NO EVENT SHALL TI BE LIABLE FOR ANY ACTUAL, DIRECT, SPECIAL, COLLATERAL, INDIRECT, PUNITIVE, INCIDENTAL, CONSEQUENTIAL OR EXEMPLARY DAMAGES IN CONNECTION WITH OR ARISING OUT OF TI RESOURCES OR USE THEREOF, AND REGARDLESS OF WHETHER TI HAS BEEN ADVISED OF THE POSSIBILITY OF SUCH DAMAGES.

Unless TI has explicitly designated an individual product as meeting the requirements of a particular industry standard (e.g., ISO/TS 16949 and ISO 26262), TI is not responsible for any failure to meet such industry standard requirements.

Where TI specifically promotes products as facilitating functional safety or as compliant with industry functional safety standards, such products are intended to help enable customers to design and create their own applications that meet applicable functional safety standards and requirements. Using products in an application does not by itself establish any safety features in the application. Designers must ensure compliance with safety-related requirements and standards applicable to their applications. Designer may not use any TI products in life-critical medical equipment unless authorized officers of the parties have executed a special contract specifically governing such use. Life-critical medical equipment is medical equipment where failure of such equipment would cause serious bodily injury or death (e.g., life support, pacemakers, defibrillators, heart pumps, neurostimulators, and implantables). Such equipment includes, without limitation, all medical devices identified by the U.S. Food and Drug Administration as Class III devices and equivalent classifications outside the U.S.

TI may expressly designate certain products as completing a particular qualification (e.g., Q100, Military Grade, or Enhanced Product). Designers agree that it has the necessary expertise to select the product with the appropriate qualification designation for their applications and that proper product selection is at Designers' own risk. Designers are solely responsible for compliance with all legal and regulatory requirements in connection with such selection.

Designer will fully indemnify TI and its representatives against any damages, costs, losses, and/or liabilities arising out of Designer's non-compliance with the terms and provisions of this Notice.