

SN65EPT22 3.3 V Dual LVTTTL/LVCMOS to Differential LVPECL Buffer

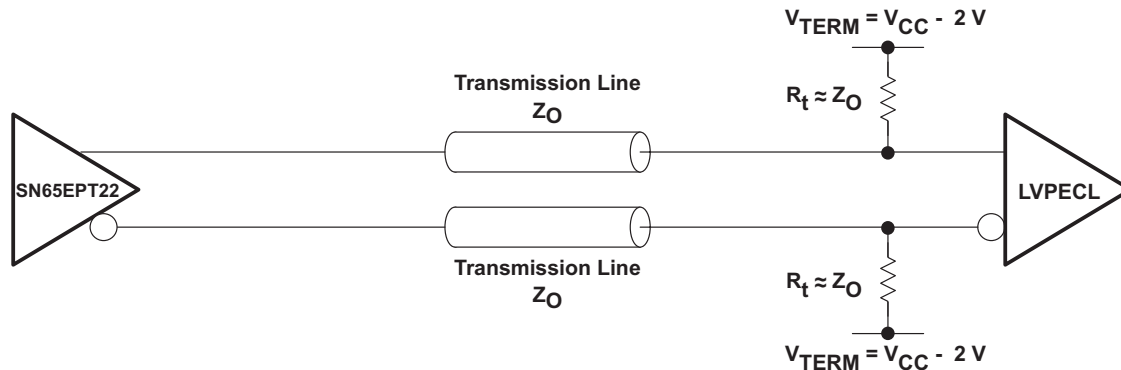
1 Features

- Dual 3.3V LVTTTL to LVPECL Buffer
- Operating Range
 - LVPECL $V_{CC} = 3.0\text{ V}$ to 3.6 V With $GND = 0\text{ V}$
- Support for Clock Frequencies to 2.0 GHz (typ)
- 420 ps Typical Propagation Delay
- Deterministic HIGH Output Value for Open Input Conditions
- Built-in Temperature Compensation
- Drop in Compatible to MC100ELT23
- PNP Single Ended Inputs for Minimal Loading

2 Applications

- Data and Clock Transmission Over Backplane
- Signaling Level Conversion

4 Simplified Schematic



3 Description

The SN65EPT22 is a low power dual LVTTTL to LVPECL translator device. The device includes circuitry to maintain known logic HIGH level when inputs are in open condition. The SN65EPT22 is housed in an industry standard SOIC-8 package and is also available in TSSOP-8 package option.

Device Information⁽¹⁾

PART NUMBER	PACKAGE	BODY SIZE (NOM)
SN65EPT22	SOIC (8)	4.90mm x 3.91mm
	VSSOP (8)	3.00mm x 3.00mm

(1) For all available packages, see the orderable addendum at the end of the datasheet.



Table of Contents

1 Features	1	7.5 Key Attributes.....	4
2 Applications	1	7.6 TTL Input DC Characteristics	4
3 Description	1	7.7 PECL Output DC Characteristics	5
4 Simplified Schematic	1	7.8 AC Characteristics	5
5 Revision History	2	7.9 Typical Characteristics.....	7
6 Pin Configuration and Functions	3	8 Device and Documentation Support	8
7 Specifications	3	8.1 Trademarks	8
7.1 Absolute Maximum Ratings	3	8.2 Electrostatic Discharge Caution.....	8
7.2 Handling Ratings	3	8.3 Glossary.....	8
7.3 Power Dissipation Ratings	4	9 Mechanical, Packaging, and Orderable	
7.4 Thermal Information	4	Information	8

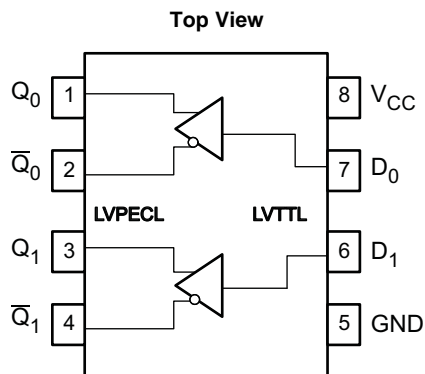
5 Revision History

NOTE: Page numbers for previous revisions may differ from page numbers in the current version.

Changes from Revision A (November 2010) to Revision B	Page
• Deleted the Ordering Information table	1
• Added the Device Information table	1
• Added the Simplified Schematic	1
• Added the Handling Ratings	3
• Added the Device and Documentation Support and Mechanical, Packaging, and Orderable Information	8

Changes from Original (November 2010) to Revision A	Page
• Changed SN65EPT22 to EPT22 (2 places) in Ordering Information Table under Part Marking column	1

6 Pin Configuration and Functions



Pin Functions

PIN	FUNCTION
D ₀ , D ₁	LVTTTL data inputs
Q ₀ , \bar{Q}_0 , Q ₁ , \bar{Q}_1	LVPECL outputs
V _{CC}	Positive supply
GND	Ground

7 Specifications

7.1 Absolute Maximum Ratings⁽¹⁾

PARAMETER	CONDITION	MIN	MAX	UNIT
Absolute supply voltage, V _{CC}			6	V
Absolute input voltage, V _I	GND = 0 and V _I ≤ V _{CC}	0	6	V
Supply voltage LVPECL			3.3	V
Output current	Continuous		50	mA
	Surge		100	
Operating temperature range		-40	85	°C

- (1) Stresses beyond those listed under *absolute maximum ratings* may cause permanent damage to the device. These are stress ratings only, and functional operation of the device at these or any other conditions beyond those indicated under *recommended operating conditions* is not implied. Exposure to absolute-maximum-rated conditions for extended periods may affect device reliability.

7.2 Handling Ratings

		MIN	MAX	UNIT	
T _{stg}	Storage temperature range	-65	150	°C	
V _(ESD)	Electrostatic discharge	Human body model (HBM), per ANSI/ESDA/JEDEC JS-001, all pins ⁽¹⁾	-4	4	kV
		Charged device model (CDM), per JEDEC specification JESD22-C101, all pins ⁽²⁾	-2	2	

- (1) JEDEC document JEP155 states that 500-V HBM allows safe manufacturing with a standard ESD control process.
(2) JEDEC document JEP157 states that 250-V CDM allows safe manufacturing with a standard ESD control process.

7.3 Power Dissipation Ratings

PACKAGE	CIRCUIT BOARD MODEL	POWER RATING $T_A < 25^\circ\text{C}$ (mW)	THERMAL RESISTANCE, JUNCTION TO AMBIENT NO AIRFLOW	DERATING FACTOR $T_A > 25^\circ\text{C}$ (mW/°C)	POWER RATING $T_A = 85^\circ\text{C}$ (mW)
D	Low-K	719	139	7	288
	High-K	840	119	8	336
DGK	Low-K	469	213	5	188
	High-K	527	189	5	211

7.4 Thermal Information

THERMAL METRIC ⁽¹⁾		D	DGK	UNIT
		8 PINS	8 PINS	
$R_{\theta\text{JB}}$	Junction-to-board thermal resistance	79	120	°C/W
$R_{\theta\text{JC}}$	Junction-to-case thermal resistance	98	74	

(1) For more information about traditional and new thermal metrics, see the *IC Package Thermal Metrics* application report, [SPRA953](#).

7.5 Key Attributes

CHARACTERISTICS	VALUE
Moisture sensitivity level	Lead free package
	SOIC-8
	VSSOP-8
Flammability rating (Oxygen Index: 28 to 34)	UL 94 V-0 at 0.125 in
Meets or exceeds JEDEC Spec EIA/JESD78 latchup test	

7.6 TTL Input DC Characteristics⁽¹⁾

($V_{\text{CC}} = 3.3\text{ V}$, $\text{GND} = 0$, $T_A = -40^\circ\text{C}$ to 85°C)

CHARACTERISTIC		CONDITION	MIN	TYP	MAX	UNIT
I_{IH}	Input HIGH current	$V_{\text{IN}} = 2.7\text{ V}$			20	μA
I_{IHH}	Input HIGH current max	$V_{\text{IN}} = V_{\text{CC}}$			100	μA
I_{IL}	Input LOW current	$V_{\text{IN}} = 0.5\text{ V}$			-0.6	mA
V_{IK}	Input clamp voltage	$I_{\text{IN}} = -18\text{ mA}$			-1	V
V_{IH}	Input high voltage		2.0			V
V_{IL}	Input low voltage				0.8	V

(1) Device will meet the specifications after thermal balance has been established when mounted in a socket or printed circuit board with maintained transverse airflow greater than 500 lfm. Electrical parameters are assured only over the declared operating temperature range. Functional operation of the device exceeding these conditions is not implied. Device specification limit values are applied individually under normal operating conditions and not valid simultaneously.

7.7 PECL Output DC Characteristics⁽¹⁾

(V_{CC} = 3.3 V; GND = 0.0V)⁽²⁾

CHARACTERISTIC	-40°C			25°C			85°C			UNIT
	MIN	TYP	MAX	MIN	TYP	MAX	MIN	TYP	MAX	
I _{CC} Power supply current		39	45		42	47		45	50	mA
V _{OH} Output HIGH voltage ⁽³⁾	2155	2224	2405	2155	2224	2405	2155	2224	2405	mV
V _{OL} Output LOW voltage ⁽³⁾	1355	1441	1605	1355	1438	1605	1355	1435	1605	mV

- (1) Device will meet the specifications after thermal balance has been established when mounted in a socket or printed circuit board with maintained transverse airflow greater than 500 lfpm. Electrical parameters are assured only over the declared operating temperature range. Functional operation of the device exceeding these conditions is not implied. Device specification limit values are applied individually under normal operating conditions and not valid simultaneously.
- (2) Output parameters vary 1:1 with V_{CC}
- (3) All loading with 50Ω to V_{CC} - 2.0V

7.8 AC Characteristics⁽¹⁾

(V_{CC} = 3.0 V to 3.6 V; GND = 0 V)⁽²⁾

CHARACTERISTIC	-40°C			25°C			85°C			UNIT	
	MIN	TYP	MAX	MIN	TYP	MAX	MIN	TYP	MAX		
f _{MAX} Max switching frequency ⁽³⁾ , see Figure 5		2.1			2.0			2.0		GHz	
t _{PLH} / t _{PHL} Propagation delay to differential output	230		550	230		550	230		550	ps	
t _{SKEW}	Within device skew ⁽⁴⁾		25	50	25		50	25		50	ps
	Device to device skew ⁽⁵⁾		100	200	100		200	100		200	ps
t _{JITTER} Random clock jitter (RMS)		0.2	0.8		0.2	0.8		0.2	0.8	ps	
t _r / t _f Output rise/fall times (20%–80%)	150		300	150		300	150		300	ps	

- (1) Device will meet the specifications after thermal equilibrium has been established when mounted in a test socket or printed circuit board with maintained transverse airflow greater than 500 lfpm. Electrical parameters are assured only over the declared operating temperature range. Functional operation of the device exceeding these conditions is not implied. Device specification limit values are applied individually under normal operating conditions and not valid simultaneously.
- (2) Measured using a 2.4 V source, 50% duty cycle clock source. All loading with 50 Ω to V_{CC} - 2.0 V.
- (3) Maximum switching frequency measured at output amplitude of 300 mV_{pp}.
- (4) Skew is measured between outputs under identical transitions and conditions on any one device.
- (5) Device-to-Device Skew for identical transitions at identical V_{CC} levels.

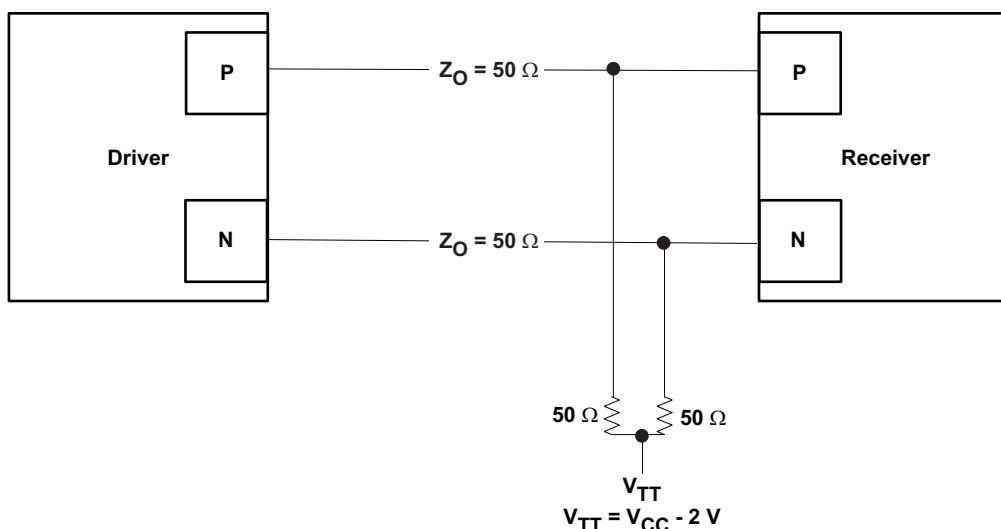


Figure 1. Termination for Output Driver

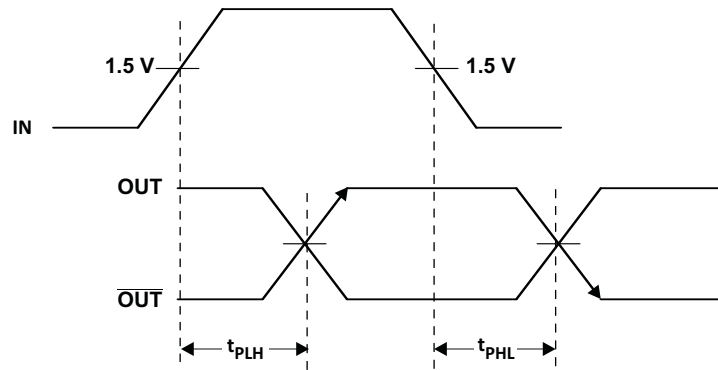


Figure 2. Output Propagation Delay

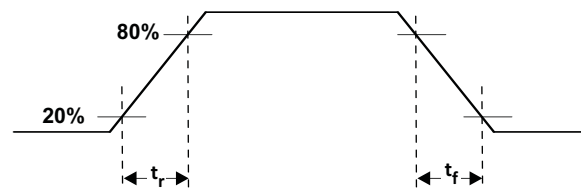


Figure 3. Output Rise and Fall Times

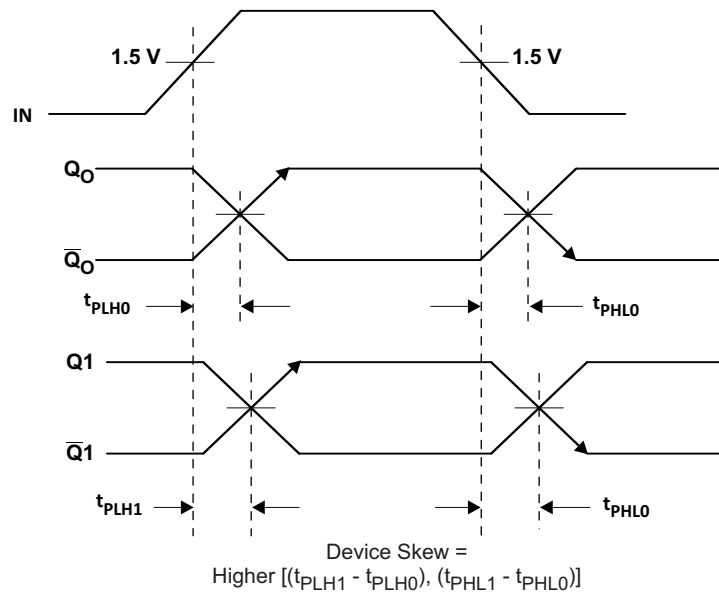


Figure 4. Device Skew

7.9 Typical Characteristics

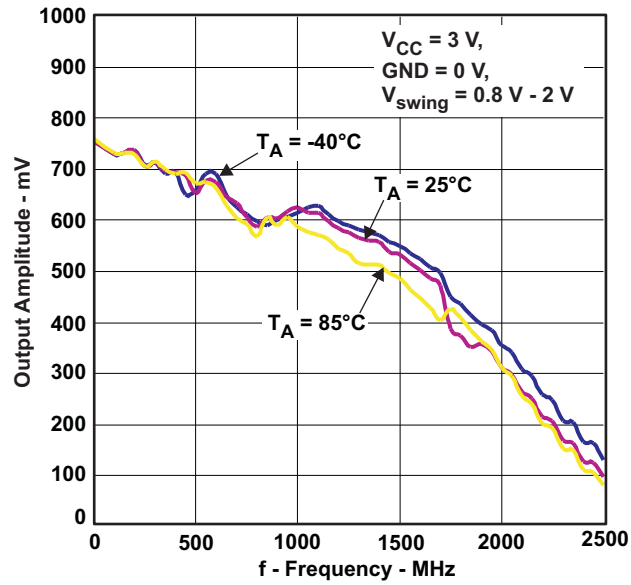


Figure 5. Output Amplitude versus Frequency

8 Device and Documentation Support

8.1 Trademarks

All trademarks are the property of their respective owners.

8.2 Electrostatic Discharge Caution



These devices have limited built-in ESD protection. The leads should be shorted together or the device placed in conductive foam during storage or handling to prevent electrostatic damage to the MOS gates.

8.3 Glossary

[SLYZ022](#) — *TI Glossary*.

This glossary lists and explains terms, acronyms, and definitions.

9 Mechanical, Packaging, and Orderable Information

The following pages include mechanical, packaging, and orderable information. This information is the most current data available for the designated devices. This data is subject to change without notice and revision of this document. For browser-based versions of this data sheet, refer to the left-hand navigation.

PACKAGING INFORMATION

Orderable Device	Status (1)	Package Type	Package Drawing	Pins	Package Qty	Eco Plan (2)	Lead/Ball Finish (6)	MSL Peak Temp (3)	Op Temp (°C)	Device Marking (4/5)	Samples
SN65EPT22D	ACTIVE	SOIC	D	8	75	Green (RoHS & no Sb/Br)	CU NIPDAU	Level-1-260C-UNLIM	-40 to 85	EPT22	Samples
SN65EPT22DGK	ACTIVE	VSSOP	DGK	8	80	Green (RoHS & no Sb/Br)	CU NIPDAU	Level-1-260C-UNLIM	-40 to 85	SIQI	Samples
SN65EPT22DGKR	ACTIVE	VSSOP	DGK	8	2500	Green (RoHS & no Sb/Br)	CU NIPDAU	Level-1-260C-UNLIM	-40 to 85	SIQI	Samples
SN65EPT22DR	ACTIVE	SOIC	D	8	2500	Green (RoHS & no Sb/Br)	CU NIPDAU	Level-1-260C-UNLIM	-40 to 85	EPT22	Samples

(1) The marketing status values are defined as follows:

ACTIVE: Product device recommended for new designs.

LIFEBUY: TI has announced that the device will be discontinued, and a lifetime-buy period is in effect.

NRND: Not recommended for new designs. Device is in production to support existing customers, but TI does not recommend using this part in a new design.

PREVIEW: Device has been announced but is not in production. Samples may or may not be available.

OBSOLETE: TI has discontinued the production of the device.

(2) Eco Plan - The planned eco-friendly classification: Pb-Free (RoHS), Pb-Free (RoHS Exempt), or Green (RoHS & no Sb/Br) - please check <http://www.ti.com/productcontent> for the latest availability information and additional product content details.

TBD: The Pb-Free/Green conversion plan has not been defined.

Pb-Free (RoHS): TI's terms "Lead-Free" or "Pb-Free" mean semiconductor products that are compatible with the current RoHS requirements for all 6 substances, including the requirement that lead not exceed 0.1% by weight in homogeneous materials. Where designed to be soldered at high temperatures, TI Pb-Free products are suitable for use in specified lead-free processes.

Pb-Free (RoHS Exempt): This component has a RoHS exemption for either 1) lead-based flip-chip solder bumps used between the die and package, or 2) lead-based die adhesive used between the die and leadframe. The component is otherwise considered Pb-Free (RoHS compatible) as defined above.

Green (RoHS & no Sb/Br): TI defines "Green" to mean Pb-Free (RoHS compatible), and free of Bromine (Br) and Antimony (Sb) based flame retardants (Br or Sb do not exceed 0.1% by weight in homogeneous material)

(3) MSL, Peak Temp. - The Moisture Sensitivity Level rating according to the JEDEC industry standard classifications, and peak solder temperature.

(4) There may be additional marking, which relates to the logo, the lot trace code information, or the environmental category on the device.

(5) Multiple Device Markings will be inside parentheses. Only one Device Marking contained in parentheses and separated by a "~" will appear on a device. If a line is indented then it is a continuation of the previous line and the two combined represent the entire Device Marking for that device.

(6) Lead/Ball Finish - Orderable Devices may have multiple material finish options. Finish options are separated by a vertical ruled line. Lead/Ball Finish values may wrap to two lines if the finish value exceeds the maximum column width.

Important Information and Disclaimer: The information provided on this page represents TI's knowledge and belief as of the date that it is provided. TI bases its knowledge and belief on information provided by third parties, and makes no representation or warranty as to the accuracy of such information. Efforts are underway to better integrate information from third parties. TI has taken and continues to take reasonable steps to provide representative and accurate information but may not have conducted destructive testing or chemical analysis on incoming materials and chemicals. TI and TI suppliers consider certain information to be proprietary, and thus CAS numbers and other limited information may not be available for release.

In no event shall TI's liability arising out of such information exceed the total purchase price of the TI part(s) at issue in this document sold by TI to Customer on an annual basis.

TAPE AND REEL INFORMATION



QUADRANT ASSIGNMENTS FOR PIN 1 ORIENTATION IN TAPE



*All dimensions are nominal

Device	Package Type	Package Drawing	Pins	SPQ	Reel Diameter (mm)	Reel Width W1 (mm)	A0 (mm)	B0 (mm)	K0 (mm)	P1 (mm)	W (mm)	Pin1 Quadrant
SN65EPT22DGKR	VSSOP	DGK	8	2500	330.0	12.4	5.3	3.4	1.4	8.0	12.0	Q1
SN65EPT22DR	SOIC	D	8	2500	330.0	12.4	6.4	5.2	2.1	8.0	12.0	Q1

TAPE AND REEL BOX DIMENSIONS


*All dimensions are nominal

Device	Package Type	Package Drawing	Pins	SPQ	Length (mm)	Width (mm)	Height (mm)
SN65EPT22DGKR	VSSOP	DGK	8	2500	367.0	367.0	35.0
SN65EPT22DR	SOIC	D	8	2500	367.0	367.0	35.0



D0008A

PACKAGE OUTLINE

SOIC - 1.75 mm max height

SMALL OUTLINE INTEGRATED CIRCUIT



4214825/C 02/2019

NOTES:

1. Linear dimensions are in inches [millimeters]. Dimensions in parenthesis are for reference only. Controlling dimensions are in inches. Dimensioning and tolerancing per ASME Y14.5M.
2. This drawing is subject to change without notice.
3. This dimension does not include mold flash, protrusions, or gate burrs. Mold flash, protrusions, or gate burrs shall not exceed .006 [0.15] per side.
4. This dimension does not include interlead flash.
5. Reference JEDEC registration MS-012, variation AA.

EXAMPLE BOARD LAYOUT

D0008A

SOIC - 1.75 mm max height

SMALL OUTLINE INTEGRATED CIRCUIT



LAND PATTERN EXAMPLE
EXPOSED METAL SHOWN
SCALE:8X



SOLDER MASK DETAILS

4214825/C 02/2019

NOTES: (continued)

- 6. Publication IPC-7351 may have alternate designs.
- 7. Solder mask tolerances between and around signal pads can vary based on board fabrication site.

EXAMPLE STENCIL DESIGN

D0008A

SOIC - 1.75 mm max height

SMALL OUTLINE INTEGRATED CIRCUIT



SOLDER PASTE EXAMPLE
BASED ON .005 INCH [0.125 MM] THICK STENCIL
SCALE:8X

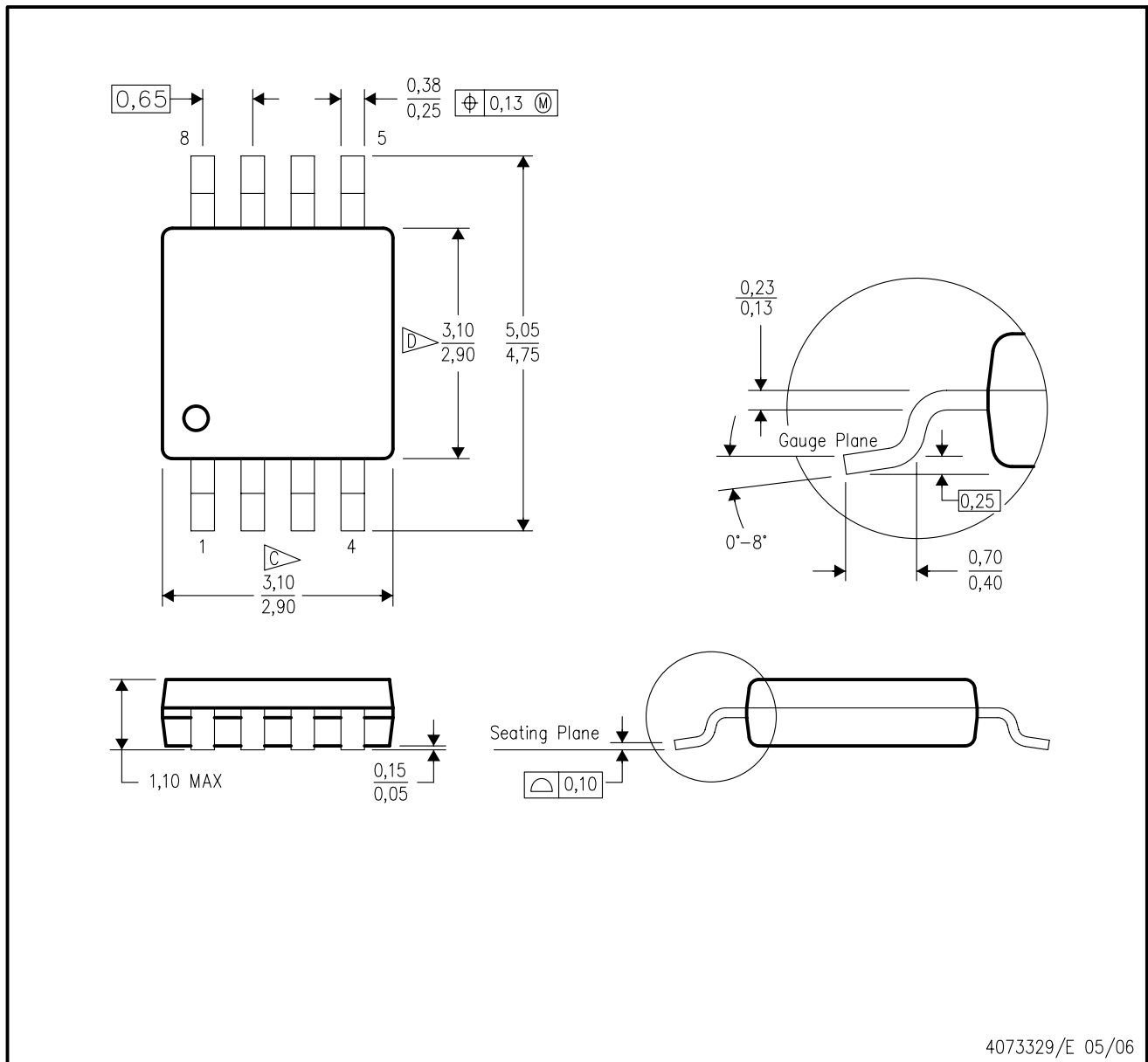
4214825/C 02/2019

NOTES: (continued)

8. Laser cutting apertures with trapezoidal walls and rounded corners may offer better paste release. IPC-7525 may have alternate design recommendations.
9. Board assembly site may have different recommendations for stencil design.

DGK (S-PDSO-G8)

PLASTIC SMALL-OUTLINE PACKAGE



- NOTES:
- A. All linear dimensions are in millimeters.
 - B. This drawing is subject to change without notice.
 - C. Body length does not include mold flash, protrusions, or gate burrs. Mold flash, protrusions, or gate burrs shall not exceed 0.15 per end.
 - D. Body width does not include interlead flash. Interlead flash shall not exceed 0.50 per side.
 - E. Falls within JEDEC MO-187 variation AA, except interlead flash.



- NOTES:
- A. All linear dimensions are in millimeters.
 - B. This drawing is subject to change without notice.
 - C. Publication IPC-7351 is recommended for alternate designs.
 - D. Laser cutting apertures with trapezoidal walls and also rounding corners will offer better paste release. Customers should contact their board assembly site for stencil design recommendations. Refer to IPC-7525 for other stencil recommendations.
 - E. Customers should contact their board fabrication site for solder mask tolerances between and around signal pads.

IMPORTANT NOTICE AND DISCLAIMER

TI PROVIDES TECHNICAL AND RELIABILITY DATA (INCLUDING DATASHEETS), DESIGN RESOURCES (INCLUDING REFERENCE DESIGNS), APPLICATION OR OTHER DESIGN ADVICE, WEB TOOLS, SAFETY INFORMATION, AND OTHER RESOURCES "AS IS" AND WITH ALL FAULTS, AND DISCLAIMS ALL WARRANTIES, EXPRESS AND IMPLIED, INCLUDING WITHOUT LIMITATION ANY IMPLIED WARRANTIES OF MERCHANTABILITY, FITNESS FOR A PARTICULAR PURPOSE OR NON-INFRINGEMENT OF THIRD PARTY INTELLECTUAL PROPERTY RIGHTS.

These resources are intended for skilled developers designing with TI products. You are solely responsible for (1) selecting the appropriate TI products for your application, (2) designing, validating and testing your application, and (3) ensuring your application meets applicable standards, and any other safety, security, or other requirements. These resources are subject to change without notice. TI grants you permission to use these resources only for development of an application that uses the TI products described in the resource. Other reproduction and display of these resources is prohibited. No license is granted to any other TI intellectual property right or to any third party intellectual property right. TI disclaims responsibility for, and you will fully indemnify TI and its representatives against, any claims, damages, costs, losses, and liabilities arising out of your use of these resources.

TI's products are provided subject to TI's Terms of Sale (www.ti.com/legal/termsofsale.html) or other applicable terms available either on ti.com or provided in conjunction with such TI products. TI's provision of these resources does not expand or otherwise alter TI's applicable warranties or warranty disclaimers for TI products.

Mailing Address: Texas Instruments, Post Office Box 655303, Dallas, Texas 75265
Copyright © 2019, Texas Instruments Incorporated