

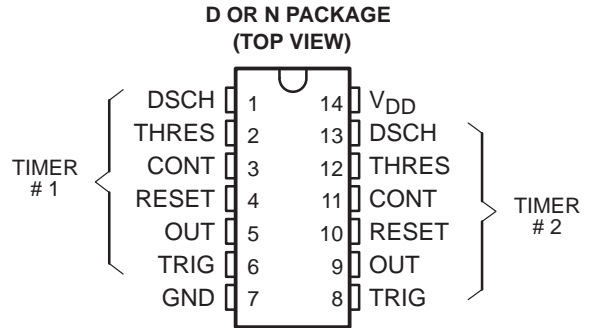
- **Very Low Power Consumption . . . 2 mW**
Typ at $V_{DD} = 5\text{ V}$
- **Capable of Operation in Astable Mode**
- **CMOS Output Capable of Swinging Rail to Rail**
- **High Output-Current Capability**
Sink 100 mA Typ
Source 10 mA Typ
- **Output Fully Compatible With CMOS, TTL, and MOS**
- **Low Supply Current Reduces Spikes During Output Transitions**
- **High-Impedance Inputs . . . $10^{12}\ \Omega$ Typ**
- **Single-Supply Operation From 1 V to 18 V**
- **Functionally Interchangeable With the NE556; Has Same Pinout**

description

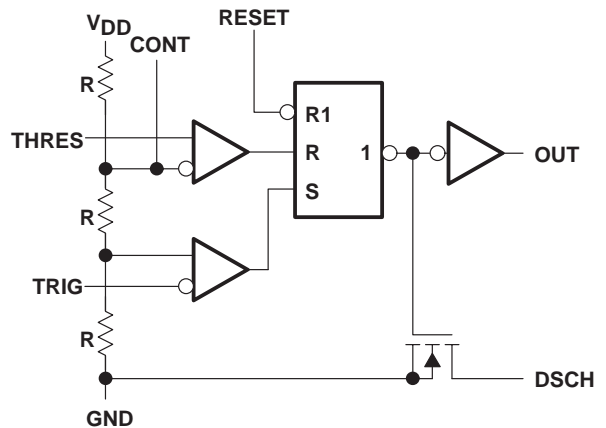
The TLC552 is a dual monolithic timing circuit fabricated using TI LinCMOS™ process, which provides full compatibility with CMOS, TTL, and MOS logic and operation at frequencies up to 2 MHz. Accurate time delays and oscillations are possible with smaller, less-expensive timing capacitors than the NE555 because of the high input impedance. Power consumption is low across the full range of power supply voltages.

Like the NE556, the TLC552 has a trigger level approximately one-third of the supply voltage and a threshold level approximately two-thirds of the supply voltage. These levels can be altered by use of the control voltage terminal. When the trigger input falls below the trigger level, the flip-flop is set and the output goes high. If the trigger input is above the trigger level and the threshold input is above the threshold level, the flip-flop is reset and the output is low. The reset input can override all other inputs and can be used to initiate a new timing cycle. If the reset input is low, the flip-flop is reset and the output is low. Whenever the output is low, a low-impedance path is provided between the discharge terminal and ground.

While the CMOS output is capable of sinking over 100 mA and sourcing over 10 mA, the TLC552 exhibits greatly reduced supply-current spikes during output transitions. This minimizes the need for the large decoupling capacitors required by the NE556.



functional block diagram (each timer)



RESET can override TRIG and THRES.
TRIG can override THRES.

AVAILABLE OPTIONS

| SYMBOLIZATION | | OPERATING TEMPERATURE RANGE | V_T max at 25°C |
|---------------|----------------|-----------------------------|-------------------|
| DEVICE | PACKAGE SUFFIX | | |
| TLC552C | D,N | 0°C to 70°C | 3.8 mV |

The D packages are available taped and reeled. Add the suffix R to the device type when ordering (i.e., TLC552CDR).

LinCMOS is a trademark of Texas Instruments Incorporated.

PRODUCTION DATA information is current as of publication date. Products conform to specifications per the terms of Texas Instruments standard warranty. Production processing does not necessarily include testing of all parameters.

 **TEXAS
INSTRUMENTS**

POST OFFICE BOX 655303 • DALLAS, TEXAS 75265

Copyright © 1988, Texas Instruments Incorporated

TLC552C DUAL LINCMOS™ TIMER

SLFS046 – FEBRUARY 1984 – REVISED MAY 1988

description (continued)

These devices have internal electrostatic discharge (ESD) protection circuits that will prevent catastrophic failures at voltages up to 2000 V as tested under MIL-STD-883C, Method 3105.2. However, care should be exercised in handling these devices as exposure to ESD may result in a degradation of the device parametric performance.

All unused inputs should be tied to an appropriate logic level to prevent false triggering.

The TLC552C is characterized for operation from 0°C to 70°C.

FUNCTION TABLE

| RESET VOLTAGE† | TRIGGER VOLTAGE† | THRESHOLD VOLTAGE† | OUTPUT | DISCHARGE SWITCH |
|----------------|------------------|--------------------|---------------------------|------------------|
| < MIN | Irrelevant | Irrelevant | Low | On |
| > MAX | < MIN | Irrelevant | High | Off |
| > MAX | > MAX | > MAX | Low | On |
| > MAX | > MAX | < MIN | As previously established | |

† For conditions shown as MIN or MAX, use the appropriate value specified under electrical characteristics.

absolute maximum ratings over operating free-air temperature range (unless otherwise noted)

| | |
|--|------------------------------|
| Supply voltage, V_{DD} (see Note 1) | 18 V |
| Input voltage range (any input) | -0.3 V to V_{DD} |
| Sink current, DSCH or OUT | 150 mA |
| Source current, OUT | 15 mA |
| Continuous total dissipation | See Dissipation Rating Table |
| Operating free-air temperature range | 0°C to 75°C |
| Storage temperature range | -65°C to 150°C |
| Lead temperature 1,6 mm (1/16 inch) from case for 10 seconds | 260°C |

NOTES: 1. All voltage values are with respect to network ground terminal.

DISSIPATION RATING TABLE

| PACKAGE | POWER RATING | DERATING FACTOR | ABOVE T_A |
|---------|--------------|-----------------|-------------|
| D | 950 mW | 7.6 mW/°C | 25°C |
| N | 1150 mW | 9.2 mW/°C | 25°C |

recommended operating conditions

| | MIN | MAX | UNIT |
|---|-----|-----|------|
| Supply voltage, V_{DD} | 1 | 18 | V |
| Operating free-air temperature range, T_A | 0 | 70 | °C |



electrical characteristics at specified free-air temperature, $V_{DD} = 1\text{ V}$

| PARAMETER | TEST CONDITIONS | T_A^\dagger | MIN | TYP | MAX | UNIT |
|--|-----------------------------|---------------|-------|-------|-------|---------------|
| Threshold voltage level | | 25°C | 0.475 | 0.67 | 0.85 | V |
| | | Full range | 0.45 | | 0.875 | |
| Threshold current | | 25°C | | 10 | | pA |
| | | MAX | | 75 | | |
| Trigger voltage level | | 25°C | 0.15 | 0.33 | 0.425 | V |
| | | Full range | 0.1 | | 1.45 | |
| Trigger current | | 25°C | | 10 | | pA |
| | | MAX | | 75 | | |
| Reset voltage level | | 25°C | 0.4 | 0.7 | 1 | V |
| | | Full range | 0.3 | | 1 | |
| Reset current | | 25°C | | 10 | | pA |
| | | MAX | | 75 | | |
| Control voltage (open-circuit) as a percentage of supply voltage | | MAX | | 66.7% | | |
| Discharge switch on-state voltage | $I_{OL} = 100\ \mu\text{A}$ | 25°C | | 0.02 | 0.15 | V |
| | | Full range | | | 0.2 | |
| Discharge switch off-state current | | 25°C | | 0.1 | | nA |
| | | MAX | | 0.5 | | |
| Low-level output voltage | $I_{OL} = 100\ \mu\text{A}$ | 25°C | | 0.03 | 0.2 | V |
| | | Full range | | | 0.25 | |
| High-level output voltage | $I_{OH} = -10\ \mu\text{A}$ | 25°C | 0.6 | 0.98 | | V |
| | | Full range | 0.6 | | | |
| Supply current | | 25°C | | 30 | 200 | μA |
| | | Full range | | | 300 | |

† Full range (MIN to MAX) is 0°C to 70°C.

TLC552C DUAL LINCMOS™ TIMER

SLFS046 – FEBRUARY 1984 – REVISED MAY 1988

electrical characteristics at specified free-air temperature, $V_{DD} = 2\text{ V}$

| PARAMETER | TEST CONDITIONS | T_A † | MIN | TYP | MAX | UNIT |
|--|------------------------------------|------------|-------|------|------|---------------|
| Threshold voltage level | | 25°C | 0.95 | 1.33 | 1.65 | V |
| | | Full range | 0.85 | | 1.75 | |
| Threshold current | | 25°C | 10 | | | pA |
| | | MAX | 75 | | | |
| Trigger voltage level | | 25°C | 0.4 | 0.67 | 0.95 | V |
| | | Full range | 0.3 | | 1.05 | |
| Trigger current | | 25°C | 10 | | | pA |
| | | MAX | 75 | | | |
| Reset voltage level | | 25°C | 0.4 | 1.1 | 1.5 | V |
| | | Full range | 0.3 | | 1.8 | |
| Reset current | | 25°C | 10 | | | pA |
| | | MAX | 75 | | | |
| Control voltage (open-circuit) as a percentage of supply voltage | | MAX | 66.7% | | | |
| Discharge switch on-state voltage | $I_{OL} = 1\text{ mA}$ | 25°C | 0.03 | | 0.2 | V |
| | | Full range | 0.25 | | | |
| Discharge switch off-state current | | 25°C | 0.1 | | | nA |
| | | MAX | 0.5 | | | |
| Low-level output voltage | $I_{OL} = 1\text{ mA}$ | 25°C | 0.07 | | 0.3 | V |
| | | Full range | 0.35 | | | |
| High-level output voltage | $I_{OH} = -300\text{ }\mu\text{A}$ | 25°C | 1.5 | 1.9 | | V |
| | | Full range | 1.5 | | | |
| Supply current | | 25°C | 130 | | 500 | μA |
| | | Full range | 800 | | | |

† Full range (MIN to MAX) is 0°C to 70°C.



electrical characteristics at specified free-air temperature, $V_{DD} = 5\text{ V}$

| PARAMETER | TEST CONDITIONS | T_A^\dagger | MIN | TYP | MAX | UNIT |
|--|--------------------------|---------------|-------|------|------|---------------|
| Threshold voltage level | | 25°C | 2.8 | 3.3 | 3.8 | V |
| | | Full range | 2.7 | | 3.9 | |
| Threshold current | | 25°C | | 10 | | pA |
| | | MAX | | 75 | | |
| Trigger voltage level | | 25°C | 1.36 | 1.66 | 1.96 | V |
| | | Full range | 1.26 | | 2.06 | |
| Trigger current | | 25°C | | 10 | | pA |
| | | MAX | | 75 | | |
| Reset voltage level | | 25°C | 0.4 | 1.1 | 1.5 | V |
| | | Full range | 0.3 | | 1.8 | |
| Reset current | | 25°C | | 10 | | pA |
| | | MAX | | 75 | | |
| Control voltage (open-circuit) as a percentage of supply voltage | | MAX | 66.7% | | | |
| Discharge switch on-state voltage | $I_{OL} = 10\text{ mA}$ | 25°C | | 0.14 | 0.5 | V |
| | | Full range | | | 0.6 | |
| Discharge switch off-state current | | 25°C | | 0.1 | | nA |
| | | MAX | | 0.5 | | |
| Low-level output voltage | $I_{OL} = 8\text{ mA}$ | 25°C | | 0.21 | 0.4 | V |
| | | Full range | | | 0.5 | |
| | $I_{OL} = 5\text{ mA}$ | 25°C | | 0.13 | 0.3 | |
| | | Full range | | | 0.4 | |
| | $I_{OL} = 3.2\text{ mA}$ | 25°C | | 0.08 | 0.3 | |
| | | Full range | | | 0.35 | |
| High-level output voltage | $I_{OH} = -1\text{ mA}$ | 25°C | 4.1 | 4.8 | | V |
| | | Full range | 4.1 | | | |
| Supply current | | 25°C | | 340 | 700 | μA |
| | | Full range | | | 1000 | |

† Full range (MIN to MAX) is 0°C to 70°C.

TLC552C DUAL LINCMOS™ TIMER

SLFS046 – FEBRUARY 1984 – REVISED MAY 1988

electrical characteristics at specified free-air temperature, $V_{DD} = 15\text{ V}$

| PARAMETER | TEST CONDITIONS | T_A † | MIN | TYP | MAX | UNIT |
|--|--------------------------|------------|------|-------|-------|------|
| Threshold voltage level | | 25°C | 9.45 | 10 | 10.55 | V |
| | | Full range | 9.35 | | 10.65 | |
| Threshold current | | 25°C | | 10 | | pA |
| | | MAX | | 75 | | |
| Trigger voltage level | | 25°C | 4.65 | 5 | 5.35 | V |
| | | Full range | 4.55 | | 5.45 | |
| Trigger current | | 25°C | | 10 | | pA |
| | | MAX | | 75 | | |
| Reset voltage level | | 25°C | 0.4 | 1.1 | 1.5 | V |
| | | Full range | 0.3 | | 1.8 | |
| Reset current | | 25°C | | 10 | | pA |
| | | MAX | | 75 | | |
| Control voltage (open-circuit) as a percentage of supply voltage | | MAX | | 66.7% | | |
| Discharge switch on-state voltage | $I_{OL} = 100\text{ mA}$ | 25°C | | 0.77 | 1.7 | V |
| | | Full range | | | 1.8 | |
| Discharge switch off-state current | | 25°C | | 0.1 | | nA |
| | | MAX | | 0.5 | | |
| Low-level output voltage | $I_{OL} = 100\text{ mA}$ | 25°C | | 1.28 | 3.2 | V |
| | | Full range | | | 3.6 | |
| | $I_{OL} = 50\text{ mA}$ | 25°C | | 0.63 | 1 | |
| | | Full range | | | 1.3 | |
| | $I_{OL} = 10\text{ mA}$ | 25°C | | 0.12 | 0.3 | |
| | | Full range | | | 0.4 | |
| High-level output voltage | $I_{OH} = -10\text{ mA}$ | 25°C | 12.5 | 14.2 | V | |
| | | Full range | 12.5 | | | |
| | $I_{OH} = -5\text{ mA}$ | 25°C | 13.5 | 14.6 | | |
| | | Full range | 13.5 | | | |
| | $I_{OH} = -1\text{ mA}$ | 25°C | 14.2 | 14.9 | | |
| | | Full range | 14.2 | | | |
| Supply current | | 25°C | | 0.72 | 1.2 | mA |
| | | Full range | | | 1.6 | |

† Full range (MIN to MAX) is 0°C to 70°C.

electrical characteristics at specified free-air temperature, $V_{DD} = 18\text{ V}$

| PARAMETER | TEST CONDITIONS | T_A † | MIN | TYP | MAX | UNIT |
|--|--------------------------|------------|-------|------|------|------|
| Threshold voltage level | | 25°C | 11.4 | 12 | 12.6 | V |
| | | Full range | 10.9 | | 12.7 | |
| Threshold current | | 25°C | | 10 | | pA |
| | | MAX | | 75 | | |
| Trigger voltage level | | 25°C | 5.6 | 6 | 6.4 | V |
| | | Full range | 5.5 | | 6.5 | |
| Trigger current | | 25°C | | 10 | | pA |
| | | MAX | | 75 | | |
| Reset voltage level | | 25°C | 0.4 | 1.1 | 1.5 | V |
| | | Full range | 0.3 | | 1.8 | |
| Reset current | | 25°C | | 10 | | pA |
| | | MAX | | 75 | | |
| Control voltage (open-circuit) as a percentage of supply voltage | | MAX | 66.7% | | | |
| Discharge switch on-state voltage | $I_{OL} = 100\text{ mA}$ | 25°C | | 0.72 | 1.5 | V |
| | | Full range | | | 1.6 | |
| Discharge switch off-state current | | 25°C | | 0.1 | | nA |
| | | MAX | | 0.5 | | |
| Low-level output voltage | $I_{OL} = 3.2\text{ mA}$ | 25°C | | 0.04 | 0.3 | V |
| | | Full range | | | 0.35 | |
| High-level output voltage | $I_{OH} = -1\text{ mA}$ | 25°C | 17.3 | 17.9 | | V |
| | | Full range | 17.3 | | | |
| Supply current | | 25°C | | 0.84 | 1.2 | mA |
| | | Full range | | | 1.6 | |

† Full range (MIN to MAX) is 0°C to 70°C.

operating characteristics, $V_{DD} = 5\text{ V}$, $T_A = 25^\circ\text{C}$ (unless otherwise noted)

| PARAMETER | TEST CONDITIONS | MIN | TYP | MAX | UNIT |
|---|--|---|-----|-----|------|
| Initial error of timing interval‡ | $V_{DD} = 5\text{ V to }15\text{ V}$, $C_T = 0.1\ \mu\text{F}$, | | 1% | 3% | |
| Supply voltage sensitivity of timing interval | | $R_A = R_B = 1\text{ k}\Omega\text{ to }100\text{ k}\Omega$, See Note 2 | | 0.1 | 0.5 |
| Output pulse rise time | $R_L = 10\text{ M}\Omega$, $C_L = 10\text{ pF}$ | | 20 | 75 | ns |
| Output pulse fall time | | | 15 | 60 | |
| Maximum frequency in astable mode | $R_A = 470\ \Omega$, $C_T = 200\text{ pF}$, | | 1.2 | 2.8 | MHz |
| | $R_B = 200\ \Omega$, See Note 2 | | | | |

‡ Timing interval error is defined as the difference between the measured value and the nominal value of a random sample.

NOTE 2: R_A , R_B , and C_T are as defined in Figure 1.

APPLICATION INFORMATION

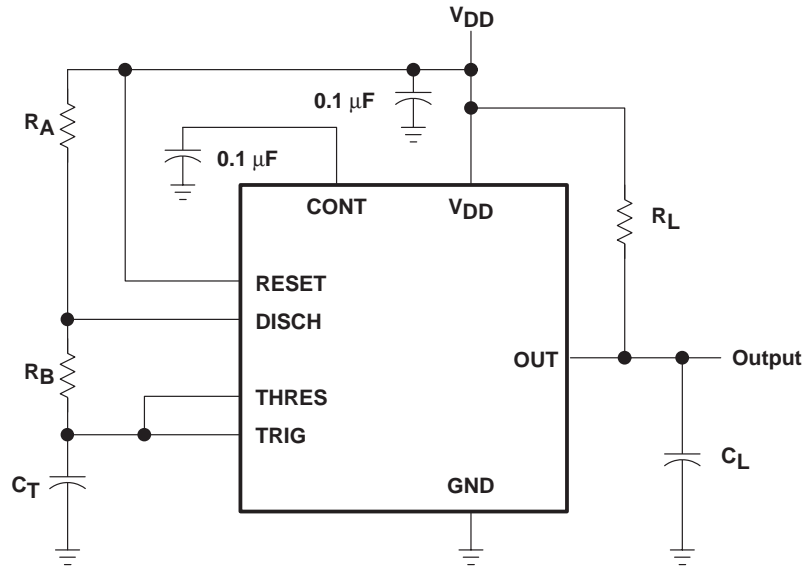


Figure 1. Circuit for Astable Operation

PACKAGING INFORMATION

| Orderable Device | Status (1) | Package Type | Package Drawing | Pins | Package Qty | Eco Plan (2) | Lead/Ball Finish (6) | MSL Peak Temp (3) | Op Temp (°C) | Device Marking (4/5) | Samples |
|------------------|---------------|--------------|-----------------|------|-------------|-------------------------|-------------------------|----------------------|--------------|-------------------------|-------------------------|
| TLC552CD | ACTIVE | SOIC | D | 14 | 50 | Green (RoHS & no Sb/Br) | CU NIPDAU | Level-1-260C-UNLIM | 0 to 70 | TLC552C | Samples |
| TLC552CDR | ACTIVE | SOIC | D | 14 | 2500 | Green (RoHS & no Sb/Br) | CU NIPDAU | Level-1-260C-UNLIM | 0 to 70 | TLC552C | Samples |
| TLC552CN | ACTIVE | PDIP | N | 14 | 25 | Green (RoHS & no Sb/Br) | CU NIPDAU | N / A for Pkg Type | 0 to 70 | TLC552CN | Samples |

(1) The marketing status values are defined as follows:

ACTIVE: Product device recommended for new designs.

LIFEBUY: TI has announced that the device will be discontinued, and a lifetime-buy period is in effect.

NRND: Not recommended for new designs. Device is in production to support existing customers, but TI does not recommend using this part in a new design.

PREVIEW: Device has been announced but is not in production. Samples may or may not be available.

OBSOLETE: TI has discontinued the production of the device.

(2) **RoHS:** TI defines "RoHS" to mean semiconductor products that are compliant with the current EU RoHS requirements for all 10 RoHS substances, including the requirement that RoHS substance do not exceed 0.1% by weight in homogeneous materials. Where designed to be soldered at high temperatures, "RoHS" products are suitable for use in specified lead-free processes. TI may reference these types of products as "Pb-Free".

RoHS Exempt: TI defines "RoHS Exempt" to mean products that contain lead but are compliant with EU RoHS pursuant to a specific EU RoHS exemption.

Green: TI defines "Green" to mean the content of Chlorine (Cl) and Bromine (Br) based flame retardants meet JS709B low halogen requirements of <=1000ppm threshold. Antimony trioxide based flame retardants must also meet the <=1000ppm threshold requirement.

(3) MSL, Peak Temp. - The Moisture Sensitivity Level rating according to the JEDEC industry standard classifications, and peak solder temperature.

(4) There may be additional marking, which relates to the logo, the lot trace code information, or the environmental category on the device.

(5) Multiple Device Markings will be inside parentheses. Only one Device Marking contained in parentheses and separated by a "-" will appear on a device. If a line is indented then it is a continuation of the previous line and the two combined represent the entire Device Marking for that device.

(6) Lead/Ball Finish - Orderable Devices may have multiple material finish options. Finish options are separated by a vertical ruled line. Lead/Ball Finish values may wrap to two lines if the finish value exceeds the maximum column width.

Important Information and Disclaimer: The information provided on this page represents TI's knowledge and belief as of the date that it is provided. TI bases its knowledge and belief on information provided by third parties, and makes no representation or warranty as to the accuracy of such information. Efforts are underway to better integrate information from third parties. TI has taken and continues to take reasonable steps to provide representative and accurate information but may not have conducted destructive testing or chemical analysis on incoming materials and chemicals. TI and TI suppliers consider certain information to be proprietary, and thus CAS numbers and other limited information may not be available for release.

In no event shall TI's liability arising out of such information exceed the total purchase price of the TI part(s) at issue in this document sold by TI to Customer on an annual basis.

TAPE AND REEL INFORMATION

REEL DIMENSIONS



TAPE DIMENSIONS



| | |
|----|---|
| A0 | Dimension designed to accommodate the component width |
| B0 | Dimension designed to accommodate the component length |
| K0 | Dimension designed to accommodate the component thickness |
| W | Overall width of the carrier tape |
| P1 | Pitch between successive cavity centers |

TAPE AND REEL INFORMATION

*All dimensions are nominal

| Device | Package Type | Package Drawing | Pins | SPQ | Reel Diameter (mm) | Reel Width W1 (mm) | A0 (mm) | B0 (mm) | K0 (mm) | P1 (mm) | W (mm) | Pin1 Quadrant |
|-----------|--------------|-----------------|------|------|--------------------|--------------------|---------|---------|---------|---------|--------|---------------|
| TLC552CDR | SOIC | D | 14 | 2500 | 330.0 | 16.4 | 6.5 | 9.0 | 2.1 | 8.0 | 16.0 | Q1 |

TAPE AND REEL BOX DIMENSIONS


*All dimensions are nominal

| Device | Package Type | Package Drawing | Pins | SPQ | Length (mm) | Width (mm) | Height (mm) |
|-----------|--------------|-----------------|------|------|-------------|------------|-------------|
| TLC552CDR | SOIC | D | 14 | 2500 | 367.0 | 367.0 | 38.0 |

IMPORTANT NOTICE

Texas Instruments Incorporated (TI) reserves the right to make corrections, enhancements, improvements and other changes to its semiconductor products and services per JESD46, latest issue, and to discontinue any product or service per JESD48, latest issue. Buyers should obtain the latest relevant information before placing orders and should verify that such information is current and complete.

TI's published terms of sale for semiconductor products (<http://www.ti.com/sc/docs/stdterms.htm>) apply to the sale of packaged integrated circuit products that TI has qualified and released to market. Additional terms may apply to the use or sale of other types of TI products and services.

Reproduction of significant portions of TI information in TI data sheets is permissible only if reproduction is without alteration and is accompanied by all associated warranties, conditions, limitations, and notices. TI is not responsible or liable for such reproduced documentation. Information of third parties may be subject to additional restrictions. Resale of TI products or services with statements different from or beyond the parameters stated by TI for that product or service voids all express and any implied warranties for the associated TI product or service and is an unfair and deceptive business practice. TI is not responsible or liable for any such statements.

Buyers and others who are developing systems that incorporate TI products (collectively, "Designers") understand and agree that Designers remain responsible for using their independent analysis, evaluation and judgment in designing their applications and that Designers have full and exclusive responsibility to assure the safety of Designers' applications and compliance of their applications (and of all TI products used in or for Designers' applications) with all applicable regulations, laws and other applicable requirements. Designer represents that, with respect to their applications, Designer has all the necessary expertise to create and implement safeguards that (1) anticipate dangerous consequences of failures, (2) monitor failures and their consequences, and (3) lessen the likelihood of failures that might cause harm and take appropriate actions. Designer agrees that prior to using or distributing any applications that include TI products, Designer will thoroughly test such applications and the functionality of such TI products as used in such applications.

TI's provision of technical, application or other design advice, quality characterization, reliability data or other services or information, including, but not limited to, reference designs and materials relating to evaluation modules, (collectively, "TI Resources") are intended to assist designers who are developing applications that incorporate TI products; by downloading, accessing or using TI Resources in any way, Designer (individually or, if Designer is acting on behalf of a company, Designer's company) agrees to use any particular TI Resource solely for this purpose and subject to the terms of this Notice.

TI's provision of TI Resources does not expand or otherwise alter TI's applicable published warranties or warranty disclaimers for TI products, and no additional obligations or liabilities arise from TI providing such TI Resources. TI reserves the right to make corrections, enhancements, improvements and other changes to its TI Resources. TI has not conducted any testing other than that specifically described in the published documentation for a particular TI Resource.

Designer is authorized to use, copy and modify any individual TI Resource only in connection with the development of applications that include the TI product(s) identified in such TI Resource. NO OTHER LICENSE, EXPRESS OR IMPLIED, BY ESTOPPEL OR OTHERWISE TO ANY OTHER TI INTELLECTUAL PROPERTY RIGHT, AND NO LICENSE TO ANY TECHNOLOGY OR INTELLECTUAL PROPERTY RIGHT OF TI OR ANY THIRD PARTY IS GRANTED HEREIN, including but not limited to any patent right, copyright, mask work right, or other intellectual property right relating to any combination, machine, or process in which TI products or services are used. Information regarding or referencing third-party products or services does not constitute a license to use such products or services, or a warranty or endorsement thereof. Use of TI Resources may require a license from a third party under the patents or other intellectual property of the third party, or a license from TI under the patents or other intellectual property of TI.

TI RESOURCES ARE PROVIDED "AS IS" AND WITH ALL FAULTS. TI DISCLAIMS ALL OTHER WARRANTIES OR REPRESENTATIONS, EXPRESS OR IMPLIED, REGARDING RESOURCES OR USE THEREOF, INCLUDING BUT NOT LIMITED TO ACCURACY OR COMPLETENESS, TITLE, ANY EPIDEMIC FAILURE WARRANTY AND ANY IMPLIED WARRANTIES OF MERCHANTABILITY, FITNESS FOR A PARTICULAR PURPOSE, AND NON-INFRINGEMENT OF ANY THIRD PARTY INTELLECTUAL PROPERTY RIGHTS. TI SHALL NOT BE LIABLE FOR AND SHALL NOT DEFEND OR INDEMNIFY DESIGNER AGAINST ANY CLAIM, INCLUDING BUT NOT LIMITED TO ANY INFRINGEMENT CLAIM THAT RELATES TO OR IS BASED ON ANY COMBINATION OF PRODUCTS EVEN IF DESCRIBED IN TI RESOURCES OR OTHERWISE. IN NO EVENT SHALL TI BE LIABLE FOR ANY ACTUAL, DIRECT, SPECIAL, COLLATERAL, INDIRECT, PUNITIVE, INCIDENTAL, CONSEQUENTIAL OR EXEMPLARY DAMAGES IN CONNECTION WITH OR ARISING OUT OF TI RESOURCES OR USE THEREOF, AND REGARDLESS OF WHETHER TI HAS BEEN ADVISED OF THE POSSIBILITY OF SUCH DAMAGES.

Unless TI has explicitly designated an individual product as meeting the requirements of a particular industry standard (e.g., ISO/TS 16949 and ISO 26262), TI is not responsible for any failure to meet such industry standard requirements.

Where TI specifically promotes products as facilitating functional safety or as compliant with industry functional safety standards, such products are intended to help enable customers to design and create their own applications that meet applicable functional safety standards and requirements. Using products in an application does not by itself establish any safety features in the application. Designers must ensure compliance with safety-related requirements and standards applicable to their applications. Designer may not use any TI products in life-critical medical equipment unless authorized officers of the parties have executed a special contract specifically governing such use. Life-critical medical equipment is medical equipment where failure of such equipment would cause serious bodily injury or death (e.g., life support, pacemakers, defibrillators, heart pumps, neurostimulators, and implantables). Such equipment includes, without limitation, all medical devices identified by the U.S. Food and Drug Administration as Class III devices and equivalent classifications outside the U.S.

TI may expressly designate certain products as completing a particular qualification (e.g., Q100, Military Grade, or Enhanced Product). Designers agree that it has the necessary expertise to select the product with the appropriate qualification designation for their applications and that proper product selection is at Designers' own risk. Designers are solely responsible for compliance with all legal and regulatory requirements in connection with such selection.

Designer will fully indemnify TI and its representatives against any damages, costs, losses, and/or liabilities arising out of Designer's non-compliance with the terms and provisions of this Notice.