

Low-Power Mono Audio DAC With Embedded miniDSP and Mono Class-D Speaker Amplifier

Check for Samples: [TLV320DAC3120](#)

1 INTRODUCTION

1.1 Features

- Mono Audio DAC With 95-dB SNR
- Instruction-Programmable Embedded miniDSP
- Supports 8-kHz to 192-kHz Sample Rates
- Mono Class-D BTL Speaker Driver (2.5 W Into 4 Ω or 1.6 W Into 8 Ω)
- Mono Headphone/Lineout Driver
- Two Single-Ended Inputs With Output Mixing and Level Control
- Microphone Bias
- Built-in Digital Audio Processing Blocks With User-Programmable Biquad, FIR Filters, and DRC
- Programmable Digital Audio Processor for Bass Boost/Treble/EQ With up to Six Biquads for Playback
- Pin Control or Register Control for Digital Playback Volume-Control Settings
- Integrated PLL Used for Programmable Digital Audio Processor
- I²S, Left-Justified, Right-Justified, DSP, and TDM Audio Interfaces
- I²C Control With Register Auto-Increment
- Full Power-Down Control
- Power Supplies:
 - Analog: 2.7 V–3.6 V
 - Digital Core: 1.65 V–1.95 V
 - Digital I/O: 1.1 V–3.6 V
 - Class-D: 2.7 V–5.5 V (SPKVDD \geq AVDD)
- 5-mm \times 5-mm 32-QFN Package

1.2 Applications

- Portable Audio Devices
- eBook
- Portable Navigation Devices

1.3 Description

The TLV320DAC3120 is a low-power, highly integrated, high-performance mono DAC with 24-bit mono playback.

The device integrates several analog features, such as a microphone bias, headphone drivers, and a mono speaker driver capable of driving a 4- Ω load. The TLV320DAC3120 has a fully programmable miniDSP for digital audio processing. The digital audio data format is programmable to work with popular audio standard protocols (I²S, left/right-justified) in master, slave, DSP, and TDM modes. Bass boost, treble, or EQ can be supported by the programmable digital-signal processing block. An on-chip PLL provides the high-speed clock needed by the digital signal-processing block. The volume level can be controlled by either a pin control or by register control. The audio functions are controlled using the I²C serial bus.

The TLV320DAC3120 is available in a 32-pin QFN package.

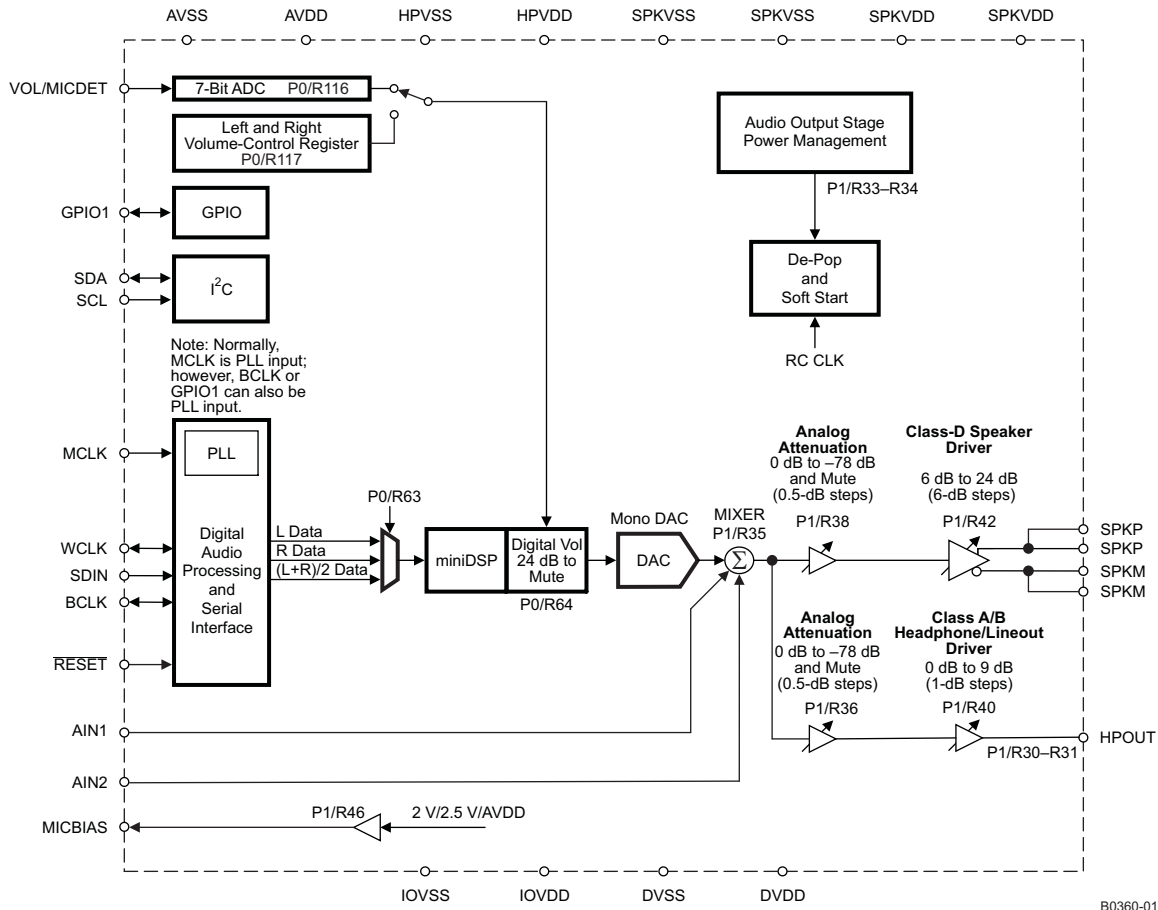


Please be aware that an important notice concerning availability, standard warranty, and use in critical applications of Texas Instruments semiconductor products and disclaimers thereto appears at the end of this data sheet.



This integrated circuit can be damaged by ESD. Texas Instruments recommends that all integrated circuits be handled with appropriate precautions. Failure to observe proper handling and installation procedures can cause damage.

ESD damage can range from subtle performance degradation to complete device failure. Precision integrated circuits may be more susceptible to damage because very small parametric changes could cause the device not to meet its published specifications.



B0360-01

Figure 1-1. Functional Block Diagram

NOTE

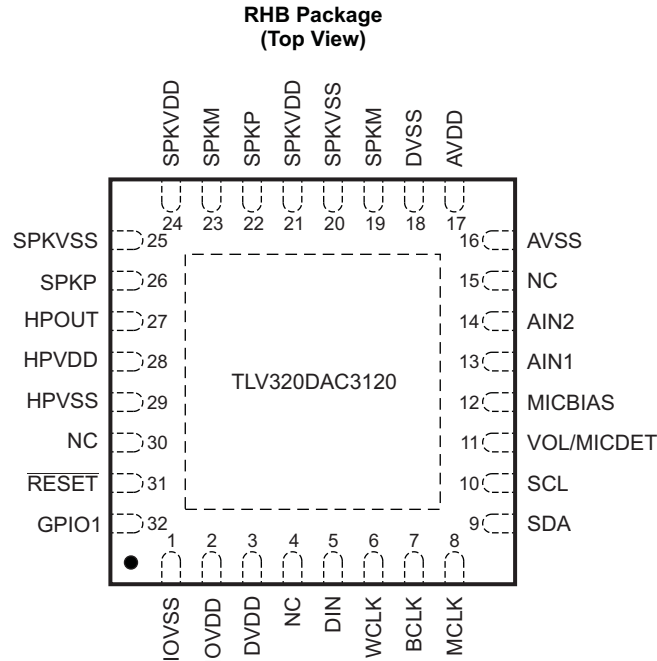
This data manual is designed using PDF document-viewing features that allow quick access to information. For example, performing a global search on "page 0 / register 27" produces all references to this page and register in a list. This makes it easy to traverse the list and find all information related to a page and register. Note that the search string must be of the indicated format. Also, this document includes document hyperlinks to allow the user to quickly find a document reference. To come back to the original page, click the green left arrow near the PDF page number at the bottom of the file. The hot-key for this function is alt-left arrow on the keyboard. Another way to find information quickly is to use the PDF bookmarks.

2 PACKAGE AND SIGNAL DESCRIPTIONS

2.1 Package/Ordering Information

PRODUCT	PACKAGE	PACKAGE DESIGNATOR	OPERATING TEMPERATURE RANGE	ORDERING NUMBER	TRANSPORT MEDIA, QUANTITY
TLV320DAC3120	QFN-32	RHB	–40°C to 85°C	TLV320DAC3120IRHBT	Tape and reel, 250
				TLV320DAC3120IRHBR	Tape and reel, 3000

2.2 Device Information


Table 2-1. TERMINAL FUNCTIONS

TERMINAL		I/O	DESCRIPTION
NAME	NO.		
AIN1	13	I	Analog input #1 routed to output mixer
AIN2	14	I	Analog input #2 routed to output mixer
AVDD	17	–	Analog power supply
AVSS	16	–	Analog ground
BCLK	7	I/O	Audio serial bit clock
DIN	5	I	Audio serial data input
DVDD	3	–	Digital power – digital core
DVSS	18	–	Digital ground
GPIO1	32	I/O	General-purpose input/output and multifunction pin
HPOUT	27	O	Headphone/lineout driver output
HPVDD	28	–	Headphone/line driver and PLL power
HPVSS	29	–	Headphone/line driver and PLL ground
IOVDD	2	–	Interface power
IOVSS	1	–	Interface ground
MCLK	8	I	External master clock

TERMINAL FUNCTIONS (continued)

TERMINAL		I/O	DESCRIPTION
NAME	NO.		
MICBIAS	12	O	Micophone bias voltage
NC	4, 15, 30	–	No connection
$\overline{\text{RESET}}$	31	I	Device reset
SCL	10	I/O	I ² C control-bus clock input
SDA	9	I/O	I ² C control-bus data input
SPKM	19, 23	O	Class-D speaker driver inverting output
SPKP	22, 26	O	Class-D speaker driver noninverting output
SPKVDD	21, 24	–	Class-D speaker driver power supply
SPKVSS	20, 25	–	Class-D speaker driver power-supply ground
VOL/MICDET	11	I	Volume control or microphone/headphone/headset detection
WCLK	6	I/O	Audio serial word clock

3 ELECTRICAL SPECIFICATIONS**3.1 Absolute Maximum Ratings**

over operating free-air temperature range (unless otherwise noted) ⁽¹⁾

	VALUE	UNIT
AVDD to AVSS	–0.3 to 3.9	V
DVDD to DVSS	–0.3 to 2.5	V
HPVDD to HPVSS	–0.3 to 3.9	V
SPKVDD to SPKVSS	–0.3 to 6	V
IOVDD to IOVSS	–0.3 to 3.9	V
Digital input voltage	IOVSS – 0.3 to IOVDD + 0.3	V
Analog input voltage	AVSS – 0.3 to AVDD + 0.3	V
Operating temperature range	–40 to 85	°C
Storage temperature range	–55 to 150	°C
Junction temperature (T _J Max)	105	°C
QFN package	Power dissipation	(T _J Max – T _A)/R _{θJA}
	R _{θJA} Thermal impedance (with thermal pad soldered to board)	35
		°C/W

(1) Stresses beyond those listed under *Absolute Maximum Ratings* may cause permanent damage to the device. These are stress ratings only, and functional operation of the device at these or any other conditions beyond those indicated under *Recommended Operating Conditions* is not implied. Exposure to absolute-maximum-rated conditions for extended periods may affect device reliability.

Table 3-1. System Thermal Characteristics⁽¹⁾

Power Rating at 25°C	Derating Factor	Power Rating at 70°C	Power Rating at 85°C
2.3 W	28.57 mW/°C	1 W	0.6 W

(1) This data was taken using 2-oz. (0.071-mm thick) trace and copper pad that is soldered to a JEDEC high-K, standard 4-layer 3-in. x 3-in. (7.62-cm x 7.62-cm) PCB.

3.2 Recommended Operating Conditions

over operating free-air temperature range (unless otherwise noted)

			MIN	NOM	MAX	UNIT
AVDD ⁽¹⁾	Power-supply voltage range	Referenced to AVSS ⁽²⁾	2.7	3.3	3.6	V
DVDD		Referenced to DVSS ⁽²⁾	1.65	1.8	1.95	
HPVDD		Referenced to HPVSS ⁽²⁾	2.7	3.3	3.6	
SPKVDD ⁽¹⁾		Referenced to SPKVSS ⁽²⁾	2.7		5.5	
IOVDD		Referenced to IOVSS ⁽²⁾	1.1	3.3	3.6	
	Speaker impedance	Load applied across class-D output pins (BTL)	4			Ω
	Headphone impedance	AC-coupled to R _L	16			Ω
V _I	Analog audio full-scale input voltage	AVDD = 3.3 V, single-ended		0.707		V _{RMS}
	Mono line output load impedance	AC-coupled to R _L		10		kΩ
MCLK ⁽³⁾	Master clock frequency	IOVDD = 3.3 V			50	MHz
SCL	SCL clock frequency				400	kHz
T _A	Operating free-air temperature		-40		85	°C

- (1) To minimize battery-current leakage, the SPKVDD and SPKVDD voltage levels should not be below the AVDD voltage level.
- (2) All grounds on board are tied together, so they should not differ in voltage by more than 0.2 V maximum for any combination of ground signals. By use of a wide trace or ground plane, ensure a low-impedance connection between HPVSS and DVSS.
- (3) The maximum input frequency should be 50 MHz for any digital pin used as a general-purpose clock.

3.3 Electrical Characteristics

At 25°C, AVDD = HPVDD = IOVDD = 3.3 V, SPKVDD = 3.6 V, DVDD = 1.8 V, f_s (audio) = 48 kHz, CODEC_CLKIN = 256 × f_s, PLL = Off, VOL/MICDET pin disabled (unless otherwise noted)

PARAMETER	TEST CONDITIONS	MIN	TYP	MAX	UNIT
INTERNAL OSCILLATOR—RC_CLK					
Oscillator frequency			8.2		MHz
VOLUME CONTROL PIN (ADC); VOL/MICDET pin enabled					
Input voltage range	VOL/MICDET pin configured as volume control (page 0 / register 116, bit D7 = 1 and page 0 / register 67, bit D7 = 0)	0		0.5 × AVDD	V
Input capacitance			2		pF
Volume control steps			128		Steps
MICROPHONE BIAS					
Voltage output	Page 1 / register 46, bits D1–D0 = 10	2.25	2.5	2.75	V
	Page 1 / register 46, bits D1–D0 = 01		2		
Voltage regulation	At 4-mA load current, page 1 / register 46, bits D1–D0 = 10 (MICBIAS = 2.5 V)		5		mV
	At 4-mA load current, page 1 / register 46, bits D1–D0 = 01 (MICBIAS = 2 V)		7		

Electrical Characteristics (continued)

At 25°C, AVDD = HPVDD = IOVDD = 3.3 V, SPKVDD = 3.6 V, DVDD = 1.8 V, f_s (audio) = 48 kHz, CODEC_CLKIN = $256 \times f_s$, PLL = Off, VOL/MICDET pin disabled (unless otherwise noted)

PARAMETER	TEST CONDITIONS	MIN	TYP	MAX	UNIT
DAC HEADPHONE OUTPUT, AC-COUPLED LOAD = 16 Ω (SINGLE-ENDED), DRIVER GAIN = 0 dB, PARASITIC CAPACITANCE = 30 pF					
	Full-scale output voltage (0 dB)	Output common-mode setting = 1.65 V	0.707		Vrms
SNR	Signal-to-noise ratio	Measured as idle-channel noise, A-weighted ^{(1) (2)}	80	95	dB
THD	Total harmonic distortion	0-dBFS input	-85	-65	dB
THD+N	Total harmonic distortion + noise	0-dBFS input	-82	-60	dB
	Mute attenuation		87		dB
PSRR	Power-supply rejection ratio ⁽³⁾	Ripple on HPVDD (3.3 V) = 200 mVp-p at 1 kHz	-62		dB
P _O	Maximum output power	R _L = 32 Ω , THD+N \leq -60 dB	20		mW
		R _L = 16 Ω , THD+N \leq -60 dB	60		
DAC LINEOUT (HP Driver in Lineout Mode)					
SNR	Signal-to-noise ratio	Measured as idle-channel noise, A-weighted	95		dB
THD	Total harmonic distortion	0-dBFS input, 0-dB gain	-86		dB
THD+N	Total harmonic distortion + noise	0-dBFS input, 0-dB gain	-83		dB
DAC DIGITAL INTERPOLATION FILTER CHARACTERISTICS					
See Section 5.6.1.4 for DAC interpolation filter characteristics.					
DAC OUTPUT TO CLASS-D SPEAKER OUTPUT; LOAD = 4 Ω (DIFFERENTIAL), 50 pF					
	Output voltage	SPKVDD = 3.6 V, BTL measurement, CM = 1.8 V, DAC input = 0 dBFS, class-D gain = 6 dB, THD \leq -16.5 dB	2.3		Vrms
		SPKVDD = 3.6 V, BTL measurement, CM = 1.8 V, DAC input = -2 dBFS, class-D gain = 6 dB, THD \leq -20 dB	2.1		
	Output, common-mode	SPKVDD = 3.6 V, BTL measurement, DAC input = mute, CM = 1.8 V, class-D gain = 6 dB	1.8		V
SNR	Signal-to-noise ratio	SPKVDD = 3.6 V, BTL measurement, class-D gain = 6 dB, measured as idle-channel noise, A-weighted (with respect to full-scale output value of 2.3 Vrms)	88		dB
THD	Total harmonic distortion	SPKVDD = 3.6 V, BTL measurement, DAC input = -6 dBFS, CM = 1.8 V, class-D gain = 6 dB	-65		dB
THD+N	Total harmonic distortion + noise	SPKVDD = 3.6 V, BTL measurement, DAC input = -6 dBFS, CM = 1.8 V, class-D gain = 6 dB	-63		dB
PSRR	Power-supply rejection ratio	SPKVDD = 3.6 V, BTL measurement, ripple on SPKVDD = 200 mVp-p at 1 kHz	-44		dB
	Mute attenuation		110		dB
P _O	Maximum output power	SPKVDD = 3.6 V, BTL measurement, CM = 1.8 V, class-D gain = 18 dB, THD = 10%	1		W
		SPKVDD = 4.3 V, BTL measurement, CM = 1.8 V, class-D gain = 18 dB, THD = 10%	1.5		
		SPKVDD = 5.5 V, BTL measurement, CM = 1.8 V, class-D gain = 18 dB, THD = 10%	2.5		

- (1) Ratio of output level with 1-kHz full-scale sine-wave input, to the output level with the inputs short-circuited, measured A-weighted over a 20-Hz to 20-kHz bandwidth using an audio analyzer.
- (2) All performance measurements done with 20-kHz low-pass filter and, where noted, A-weighted filter. Failure to use such a filter may result in higher THD+N and lower SNR and dynamic range readings than shown in the Electrical Characteristics. The low-pass filter removes out-of-band noise, which, although not audible, may affect dynamic specification values.
- (3) DAC to headphone-out PSRR measurement is calculated as $PSRR = 20 \times \log(\Delta V_{HPL} / \Delta V_{HPVDD})$.

Electrical Characteristics (continued)

At 25°C, AVDD = HPVDD = IOVDD = 3.3 V, SPKVDD = 3.6 V, DVDD = 1.8 V, f_s (audio) = 48 kHz, CODEC_CLKIN = $256 \times f_s$, PLL = Off, VOL/MICDET pin disabled (unless otherwise noted)

PARAMETER	TEST CONDITIONS	MIN	TYP	MAX	UNIT
DAC OUTPUT TO CLASS-D SPEAKER OUTPUT; LOAD = 8 Ω (DIFFERENTIAL), 50 pF					
Output voltage	SPKVDD = 3.6 V, BTL measurement, CM = 1.8 V, DAC input = 0 dBFS, class-D gain = 6 dB, THD ≤ -16.5 dB		2.2		Vrms
	SPKVDD = 3.6 V, BTL measurement, CM = 1.8 V, DAC input = -2 dBFS, class-D gain = 6 dB, THD ≤ -20 dB		2.1		
Output, common-mode	SPKVDD = 3.6 V, BTL measurement, DAC input = mute, CM = 1.8 V, class-D gain = 6 dB		1.8		V
SNR	Signal-to-noise ratio		87		dB
THD	Total harmonic distortion		-67		dB
THD+N	Total harmonic distortion + noise		-66		dB
PSRR	Power-supply rejection ratio ⁽¹⁾		-44		dB
	Mute attenuation		110		dB
P _O	Maximum output power	SPKVDD = 3.6 V, BTL measurement, CM = 1.8 V, class-D gain = 18 dB, THD = 10%	0.7		W
		SPKVDD = 4.3 V, BTL measurement, CM = 1.8 V, class-D gain = 18 dB, THD = 10%	1		
		SPKVDD = 5.5 V, BTL measurement, CM = 1.8 V, class-D gain = 18 dB, THD = 10%	1.6		
	Output-stage leakage current for direct battery connection	SPKVDD = 4.3 V, device is powered down (power-up-reset condition)	80		nA
DAC POWER CONSUMPTION					
DAC power consumption based per selected processing block, see Section 5.4					

(1) DAC to speaker-out PSRR is a differential measurement calculated as $PSRR = 20 \times \log(\Delta V_{SPK(P+M)} / \Delta V_{SPKVDD})$.

Electrical Characteristics (continued)

At 25°C, AVDD = HPVDD = IOVDD = 3.3 V, SPKVDD = 3.6 V, DVDD = 1.8 V, f_S (audio) = 48 kHz, CODEC_CLKIN = 256 × f_S, PLL = Off, VOL/MICDET pin disabled (unless otherwise noted)

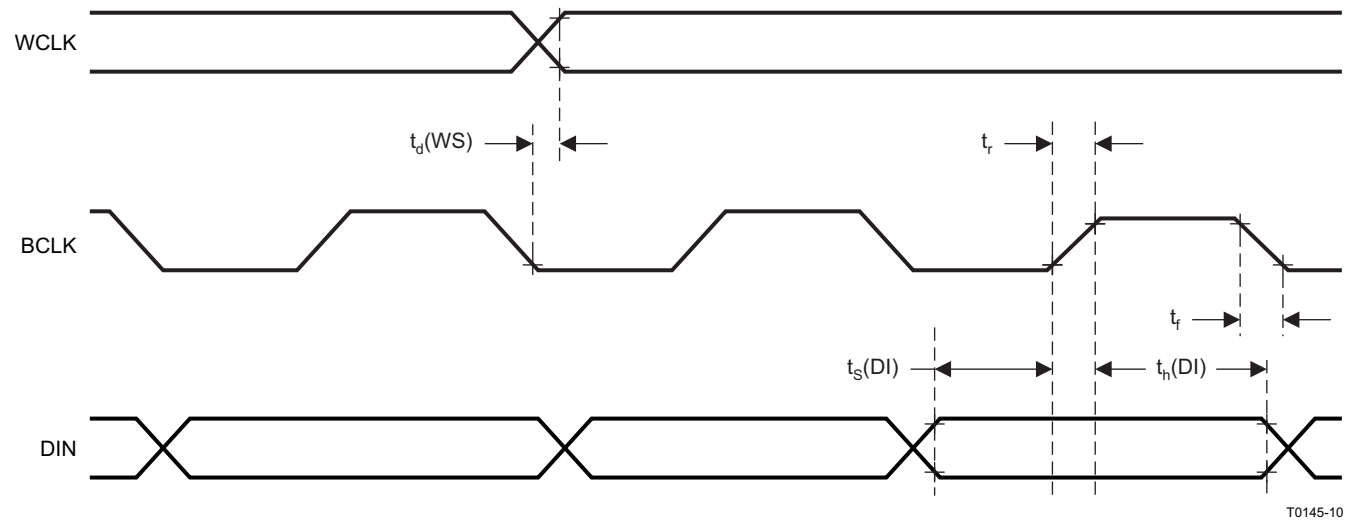
PARAMETER	TEST CONDITIONS	MIN	TYP	MAX	UNIT
DIGITAL INPUT/OUTPUT					
Logic family		CMOS			
V _{IH}	I _{IH} = 5 μA, IOVDD ≥ 1.6 V	0.7 × IOVDD			V
	I _{IH} = 5 μA, IOVDD < 1.6 V	IOVDD			
V _{IL}	I _{IL} = 5 μA, IOVDD ≥ 1.6 V	-0.3	0.3 × IOVDD		V
	I _{IL} = 5 μA, IOVDD < 1.6 V	0			
V _{OH}	I _{OH} = 2 TTL loads	0.8 × IOVDD			V
V _{OL}	I _{OL} = 2 TTL loads				0.1 × IOVDD
Capacitive load		10			pF

3.4 Timing Characteristics

3.4.1 I²S/LJF/RJF Timing in Master Mode

All specifications at 25°C, DVDD = 1.8 V

Note: All timing specifications are measured at characterization but not tested at final test.



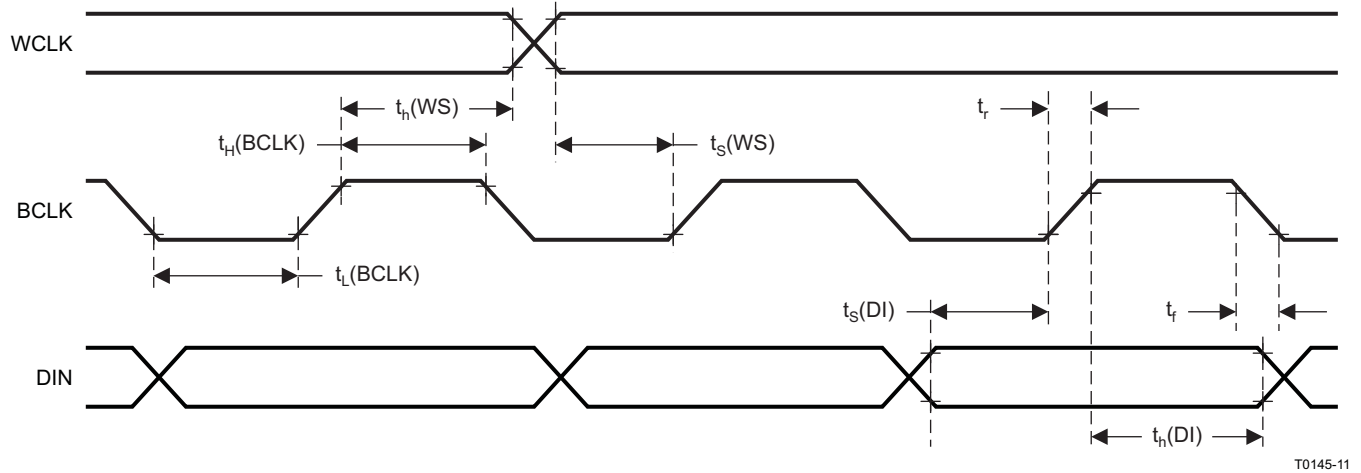
PARAMETER		IOVDD = 1.1 V		IOVDD = 3.3 V		UNIT
		MIN	MAX	MIN	MAX	
t _d (WS)	WCLK delay		45		20	ns
t _s (DI)	DIN setup	8		6		ns
t _h (DI)	DIN hold	8		6		ns
t _r	Rise time		25		10	ns
t _f	Fall time		25		10	ns

Figure 3-1. I²S/LJF/RJF Timing in Master Mode

3.4.2 I²S/LJF/RJF Timing in Slave Mode

All specifications at 25°C, DVDD = 1.8 V

Note: All timing specifications are measured at characterization but not tested at final test.



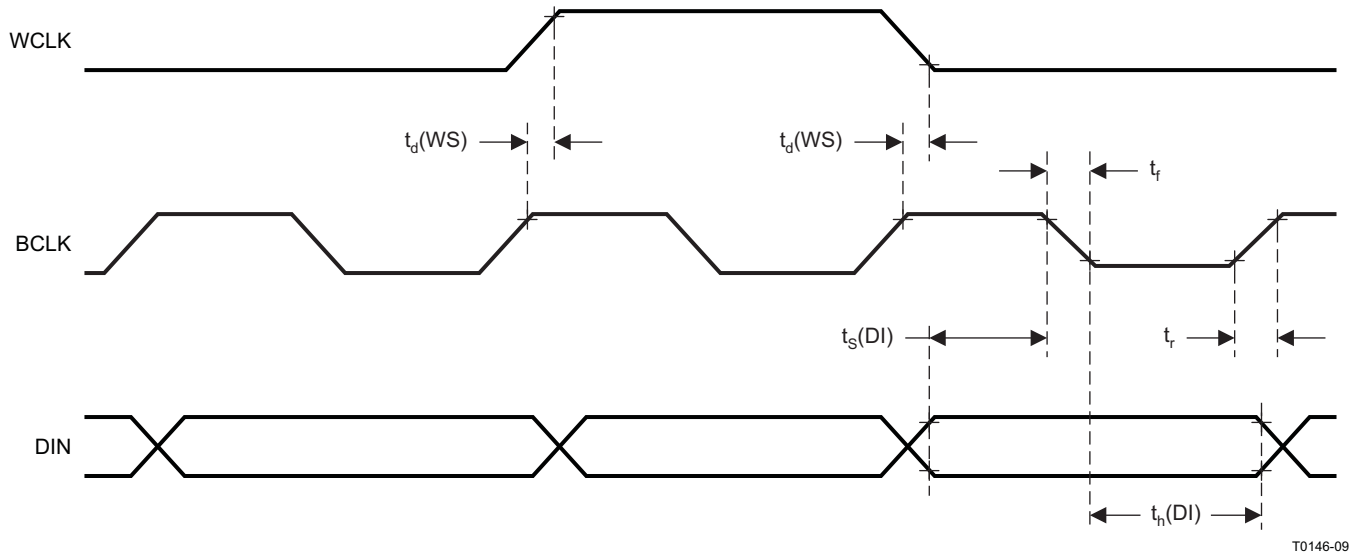
PARAMETER		IOVDD = 1.1 V		IOVDD = 3.3 V		UNIT
		MIN	MAX	MIN	MAX	
t _H (BCLK)	BCLK high period	35		35		ns
t _L (BCLK)	BCLK low period	35		35		ns
t _S (WS)	WCLK setup	8		6		ns
t _H (WS)	WCLK hold	8		6		ns
t _S (DI)	DIN setup	8		6		ns
t _H (DI)	DIN hold	8		6		ns
t _r	Rise time		4		4	ns
t _f	Fall time		4		4	ns

Figure 3-2. I²S/LJF/RJF Timing in Slave Mode

3.4.3 DSP Timing in Master Mode

All specifications at 25°C, DVDD = 1.8 V

Note: All timing specifications are measured at characterization but not tested at final test.



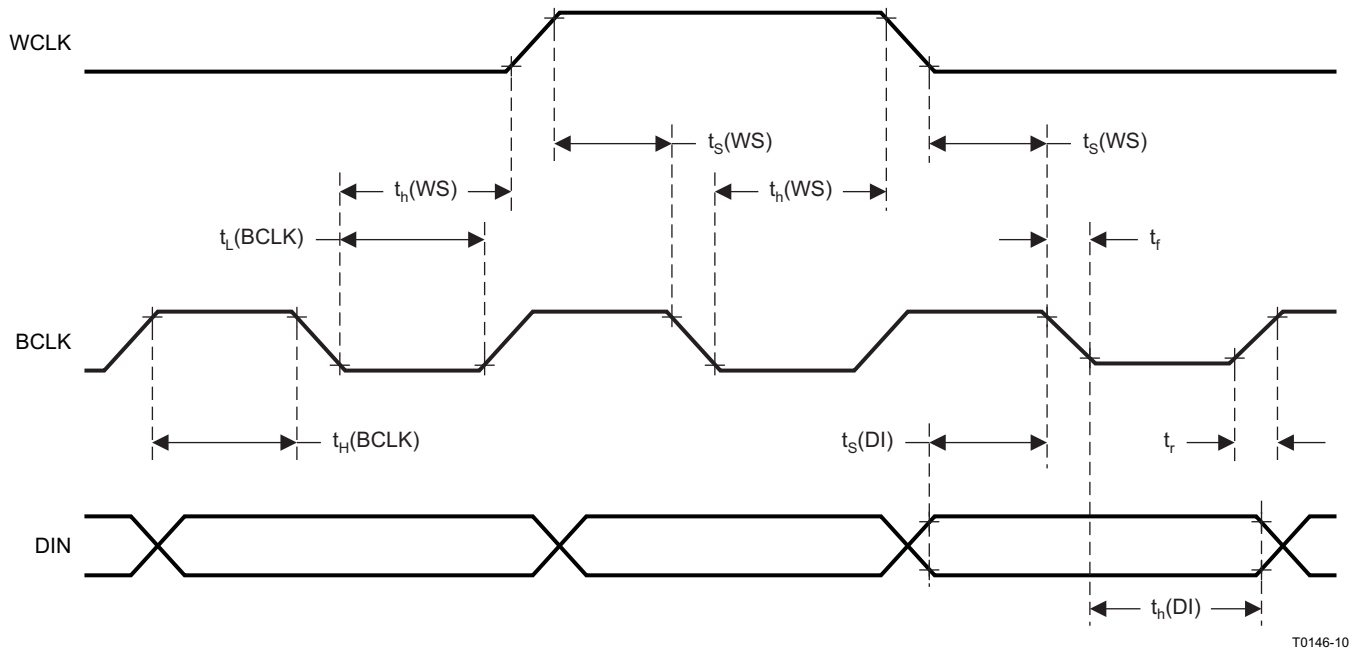
PARAMETER		IOVDD = 1.1 V		IOVDD = 3.3 V		UNIT
		MIN	MAX	MIN	MAX	
$t_d(WS)$	WCLK delay		45		20	ns
$t_s(DI)$	DIN setup	8		8		ns
$t_h(DI)$	DIN hold	8		8		ns
t_r	Rise time		25		10	ns
t_f	Fall time		25		10	ns

Figure 3-3. DSP Timing in Master Mode

3.4.4 DSP Timing in Slave Mode

All specifications at 25°C, DVDD = 1.8 V

Note: All timing specifications are measured at characterization but not tested at final test.



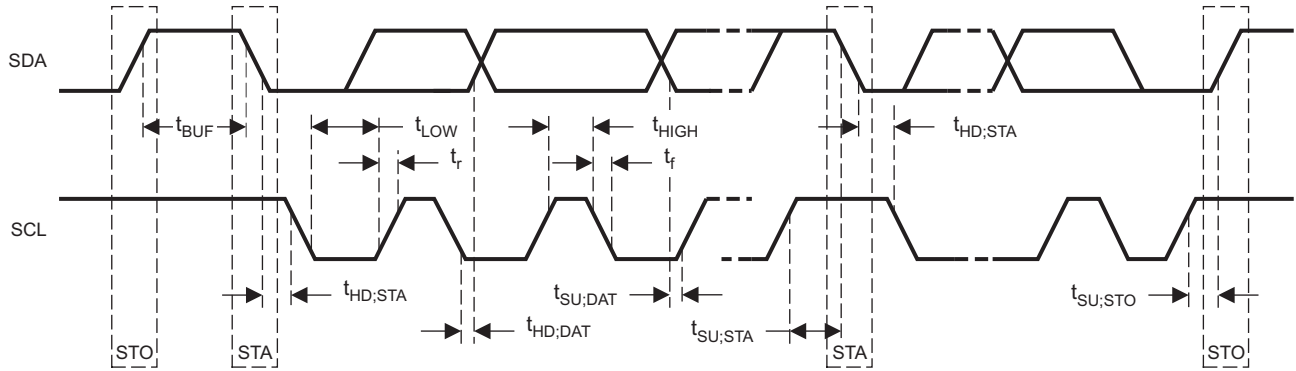
PARAMETER		IOVDD = 1.1 V		IOVDD = 3.3 V		UNIT
		MIN	MAX	MIN	MAX	
$t_H(\text{BCLK})$	BCLK high period	35		35		ns
$t_L(\text{BCLK})$	BCLK low period	35		35		ns
$t_S(\text{WS})$	WCLK setup	8		8		ns
$t_H(\text{WS})$	WCLK hold	8		8		ns
$t_S(\text{DI})$	DIN setup	8		8		ns
$t_H(\text{DI})$	DIN hold	8		8		ns
t_r	Rise time		4		4	ns
t_f	Fall time		4		4	ns

Figure 3-4. DSP Timing in Slave Mode

3.4.5 I²C Interface Timing

All specifications at 25°C, DVDD = 1.8 V

Note: All timing specifications are measured at characterization but not tested at final test.



T0295-02

PARAMETER	Standard-Mode			Fast-Mode			UNITS
	MIN	TYP	MAX	MIN	TYP	MAX	
f_{SCL} SCL clock frequency	0		100	0		400	kHz
$t_{HD,STA}$ Hold time (repeated) START condition. After this period, the first clock pulse is generated.	4			0.8			μ s
t_{LOW} LOW period of the SCL clock	4.7			1.3			μ s
t_{HIGH} HIGH period of the SCL clock	4			0.6			μ s
$t_{SU,STA}$ Setup time for a repeated START condition	4.7			0.8			μ s
$t_{HD,DAT}$ Data hold time: For I ² C bus devices	0		3.45	0		0.9	μ s
$t_{SU,DAT}$ Data setup time	250			100			ns
t_r SDA and SCL rise time			1000	$20 + 0.1 C_b$		300	ns
t_f SDA and SCL fall time			300	$20 + 0.1 C_b$		300	ns
$t_{SU,STO}$ Set-up time for STOP condition	4			0.8			μ s
t_{BUF} Bus free time between a STOP and START condition	4.7			1.3			μ s
C_b Capacitive load for each bus line			400			400	pF

Figure 3-5. I²C Interface Timing

4 TYPICAL PERFORMANCE

4.1 DAC Performance

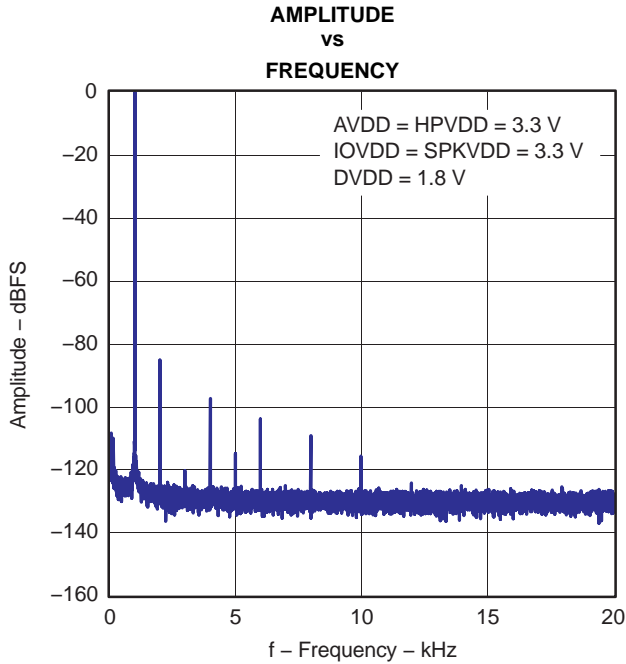


Figure 4-1. FFT - DAC to Line Output

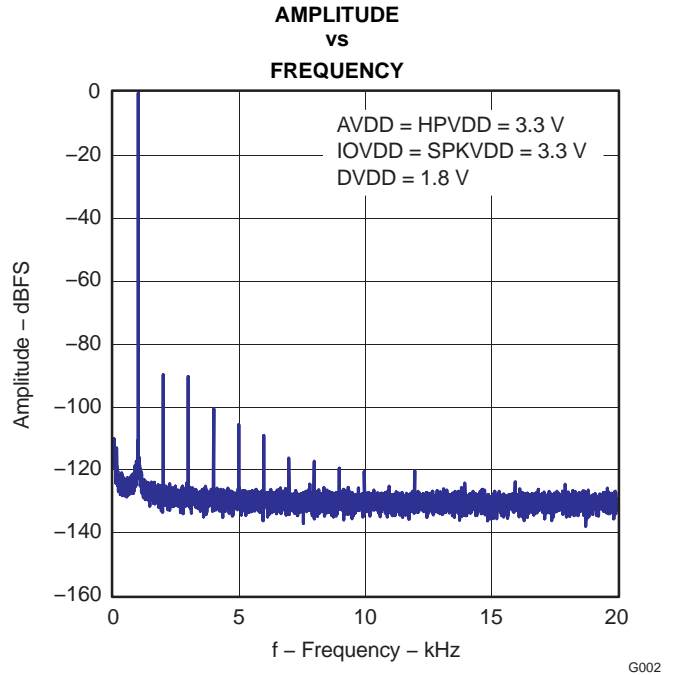


Figure 4-2. FFT - DAC to Headphone Output

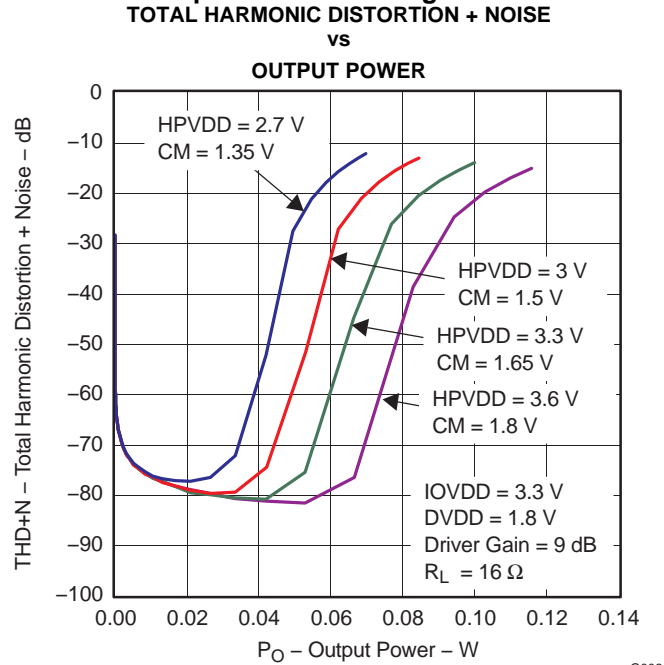


Figure 4-3. Headphone Output Power

4.2 Class-D Speaker Driver Performance

TOTAL HARMONIC DISTORTION + NOISE
vs

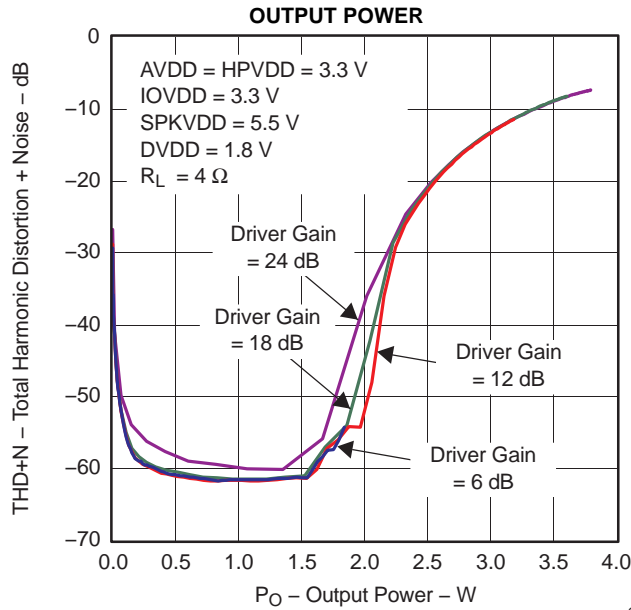


Figure 4-4. Max Class-D Speaker-Driver Output Power (R_L = 4 Ω)

TOTAL HARMONIC DISTORTION + NOISE
vs

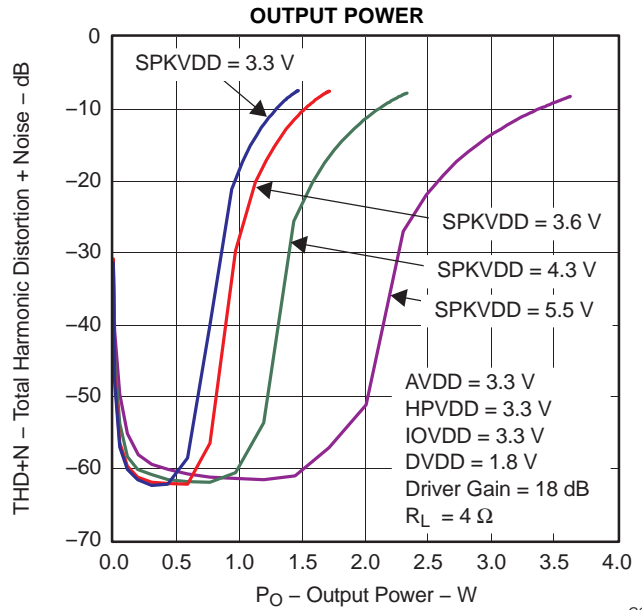


Figure 4-5. Class-D Speaker-Driver Output Power (R_L = 4 Ω)

TOTAL HARMONIC DISTORTION + NOISE
vs

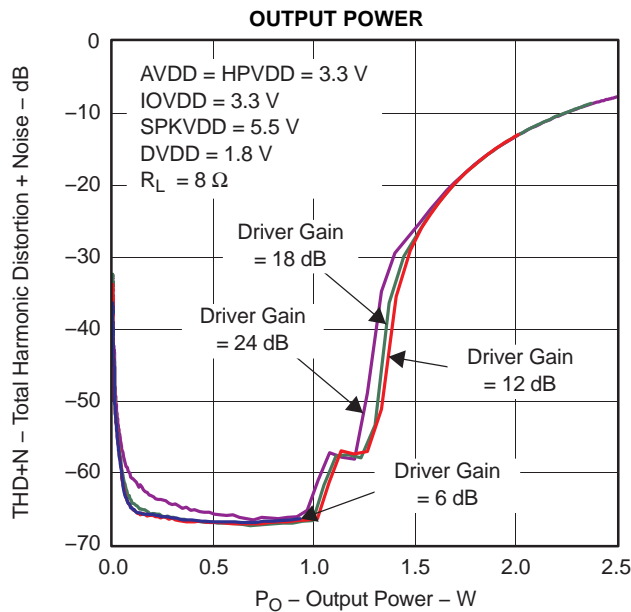


Figure 4-6. Max Class-D Speaker-Driver Output Power (R_L = 8 Ω)

OUTPUT POWER

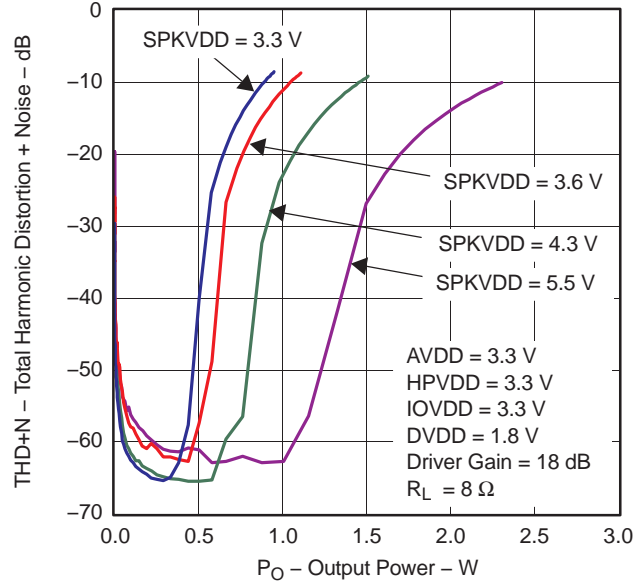


Figure 4-7. Class-D Speaker-Driver Output Power (R_L = 8 Ω)

4.3 Analog Bypass Performance

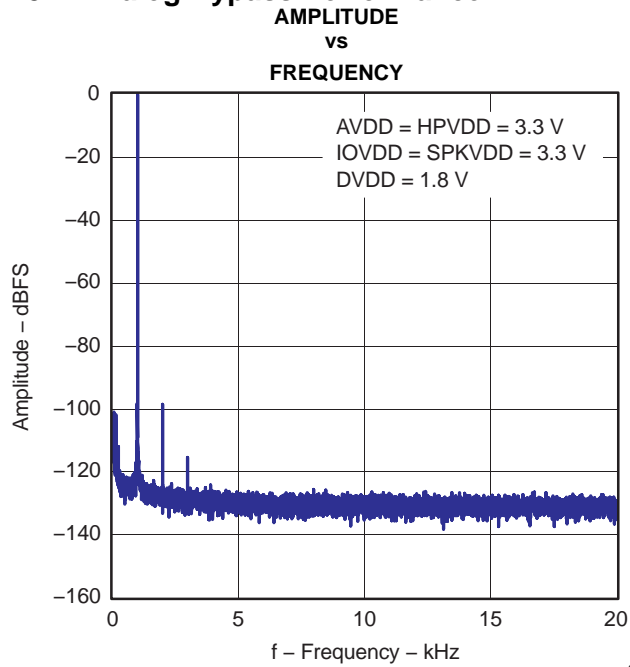


Figure 4-8. FFT - Line In Bypass to Line Output

G008

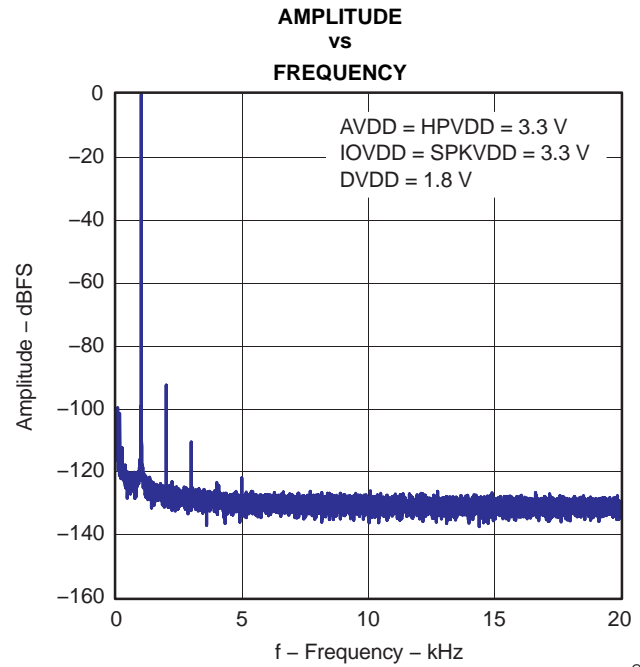


Figure 4-9. FFT - Line In Bypass to Headphone Output

G009

4.4 MICBIAS Performance

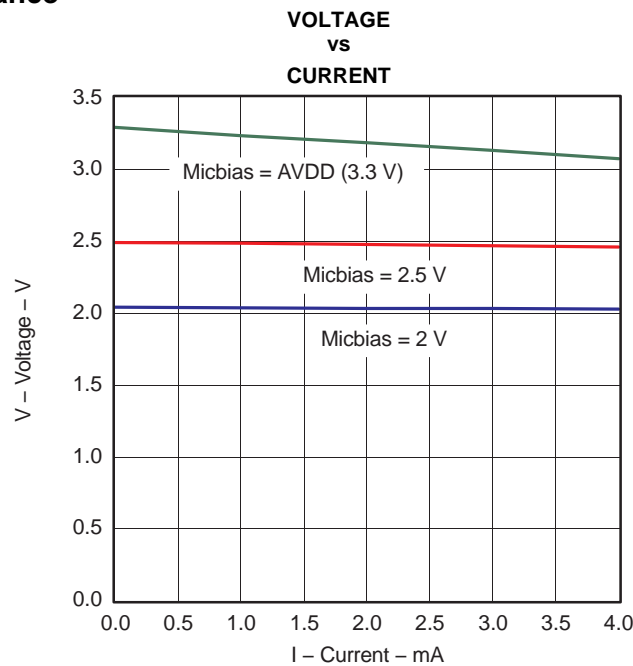
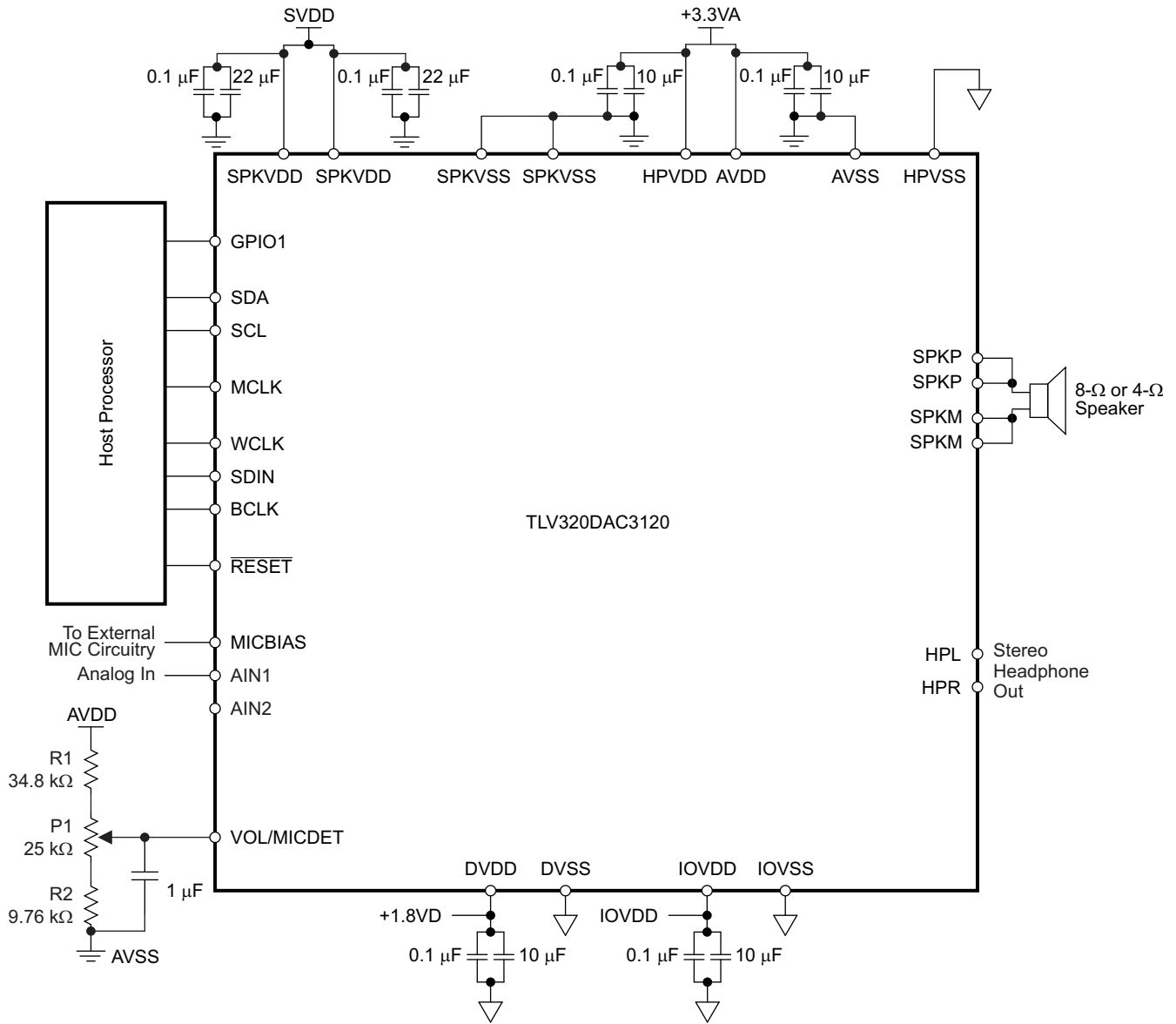


Figure 4-10. Micbias

G010

5 APPLICATION INFORMATION

5.1 Typical Circuit Configuration



S0400-06

Figure 5-1. Typical Circuit Configuration

5.2 Overview

The TLV320DAC3120 is a highly integrated mono audio DAC for portable computing, communication, and entertainment applications. A register-based architecture eases integration with microprocessor-based systems through standard serial-interface buses. This device contains a two-wire I²C bus interface, which allows full register access. All peripheral functions are controlled through these registers and the onboard state machines.

The TLV320DAC3120 consists of the following blocks:

- miniDSP digital signal-processing block
- Audio DAC
- Dynamic range compressor (DRC)
- Mono headphone/lineout amplifier
- Class-D mono amplifier capable of driving 4-Ω or 8-Ω speakers
- Pin-controlled or register-controlled volume level
- Power-down de-pop and power-up soft start
- Analog inputs
- I²C control interface
- Power-down control block

Following a toggle of the $\overline{\text{RESET}}$ pin or a software reset, the device operates in the default mode. The I²C interface is used to write to the control registers to configure the device.

The I²C address assigned to the TLV320DAC3120 is 001 1000. This device always operates in an I²C slave mode. All registers are 8-bit, and all writable registers have readback capability. The device auto-increments to support sequential addressing and can be used with I²C fast mode. Once the device is reset, all appropriate registers are updated by the host processor to configure the device as needed by the user.

5.2.1 Device Initialization

5.2.1.1 Reset

The TLV320DAC3120 internal logic must be initialized to a known condition for proper device function. To initialize the device to its default operating condition, the hardware reset pin ($\overline{\text{RESET}}$) must be pulled low for at least 10 ns. For this initialization to work, both the IOVDD and DVDD supplies must be powered up. It is recommended that while the DVDD supply is being powered up, the $\overline{\text{RESET}}$ pin be pulled low.

The device can also be reset via software reset. Writing a 1 into page 0 / register 1, bit D0 resets the device.

5.2.1.2 Device Start-Up Lockout Times

After the TLV320DAC3120 is initialized through hardware reset at power-up or software reset, the internal memories are initialized to default values. This initialization takes place within 1 ms after pulling the $\overline{\text{RESET}}$ signal high. During this initialization phase, no register-read or register-write operation should be performed on the DAC coefficient buffers. Also, no block within the codec should be powered up during the initialization phase.

5.2.1.3 PLL Start-Up

Whenever the PLL is powered up, a start-up delay of approximately of 10 ms occurs after the power-up command of the PLL and before the clocks are available to the codec. This delay is to ensure stable operation of the PLL and clock-divider logic.

5.2.1.4 Power-Stage Reset

The power-stage-only reset is used to reset the device after an overcurrent latching shutdown has occurred. Using this reset re-enables the output stage without resetting all of the registers in the device. Each of the two power stages has its own dedicated reset bit. The headphone power-stage reset is performed by setting page 1 / register 31, bit D7 for HPOUT. The speaker power-stage reset is performed by setting page 1 / register 32, bit D7 for SPKP and SPKM.

5.2.1.5 Software Power Down

By default, all circuit blocks are powered down following a reset condition. Hardware power up of each circuit block can be controlled by writing to the appropriate control register. This approach allows the lowest power-supply current for the functionality required. However, when a block is powered down, all of the register settings are maintained as long as power is still being applied to the device.

5.2.2 Audio Analog I/O

The TLV320DAC3120 features a mono audio DAC. It supports a wide range of analog interfaces to support different headsets and analog outputs. The TLV320DAC3120 interfaces to output drivers (8- Ω , 16- Ω , 32- Ω).

5.3 miniDSP

The TLV320DAC3120 features a miniDSP core which is tightly coupled to the DAC. The fully programmable algorithms for the miniDSP must be loaded into the device after power up. The miniDSP has direct access to the digital stereo audio stream, offering the possibility for advanced, very low-group-delay DSP algorithms. The miniDSP has 1024 programmable instructions, 896 data memory locations, and 512 programmable coefficients (in the adaptive mode, each bank has 256 programmable coefficients).

5.3.1 Software

Software development for the TLV320DAC3120 is supported through TI's comprehensive PurePath™ Studio software development environment, a powerful, easy-to-use tool designed specifically to simplify software development on Texas Instruments miniDSP audio platforms. The graphical development environment consists of a library of common audio functions that can be dragged and dropped into an audio signal flow and graphically connected together. The DSP code can then be assembled from the graphical signal flow with the click of a mouse. See the TLV320DAC3120 product folder on www.ti.com to learn more about PurePath Studio and the latest status on available, ready-to-use DSP algorithms.

5.4 Digital Processing Low-Power Modes

The TLV320DAC3120 device can be tuned to minimize power dissipation, to maximize performance, or to an operating point between the two extremes to best fit the application. The choice of processing blocks, PRB_P4 to PRB_P22 for mono playback and PRB_R4 to PRB_R18 for mono recording, also influences the power consumption. In fact, the numerous processing blocks have been implemented to offer a choice among configurations having a different balance of power-optimization and signal-processing capabilities.

5.4.1 DAC Playback on Headphones, Mono, 48 kHz, DVDD = 1.8 V, AVDD = 3.3 V, HPVDD = 3.3 V
DOSR = 128, Processing Block = PRB_P12 (Interpolation Filter B)

Power consumption = 15.4 mW

Table 5-1. PRB_P12 Alternative Processing Blocks, 15.4 mW

Processing Block	Filter	Estimated Power Change (mW)
PRB_P4	A	0.57
PRB_P5	A	1.48
PRB_P6	A	1.08
PRB_P13	B	0.56
PRB_P14	B	0.27
PRB_P15	B	0.89
PRB_P16	B	0.31

DOSR = 64, Processing Block = PRB_P12 (Interpolation Filter B)

Power consumption = 15.54 mW

Table 5-2. PRB_P12 Alternative Processing Blocks, 15.54 mW

Processing Block	Filter	Estimated Power Change (mW)
PRB_P4	A	0.37
PRB_P5	A	1.23
PRB_P6	A	1.15
PRB_P13	B	0.43
PRB_P14	B	0.13
PRB_P15	B	0.85
PRB_P16	B	0.21

5.4.2 DAC Playback on Headphones, Mono, 8 kHz, DVDD = 1.8 V, AVDD = 3.3 V, HPVDD = 3.3 V
DOSR = 768, Processing Block = PRB_P12 (Interpolation Filter B)

Power consumption = 14.49 mW

Table 5-3. PRB_P12 Alternative Processing Blocks, 14.49 mW

Processing Block	Filter	Estimated Power Change (mW)
PRB_P4	A	-0.04
PRB_P5	A	0.2
PRB_P6	A	-0.01
PRB_P13	B	0.1
PRB_P14	B	0.05
PRB_P15	B	-0.03
PRB_P16	B	0.07

DOSR = 384, Processing Block = PRB_P12 (Interpolation Filter B)

Power consumption = 14.42 mW

Table 5-4. PRB_P12 Alternative Processing Blocks, 14.42 mW

Processing Block	Filter	Estimated Power Change (mW)
PRB_P4	A	0.16
PRB_P5	A	0.3
PRB_P6	A	0.2
PRB_P13	B	0.15
PRB_P14	B	0.07
PRB_P15	B	0.18
PRB_P16	B	0.09

5.5 Analog Signals

The TLV320DAC3120 analog signals consist of:

- Microphone bias (MICBIAS)
- Analog inputs AIN1 and AIN2, which can be used to pass-through or mix analog signals to output stages
- Analog outputs class-D speaker driver and headphone/lineout driver providing output capability for the DAC, AIN1, AIN2, or a mix of the three

5.5.1 MICBIAS

The TLV320DAC3120 includes a microphone bias circuit which can source up to 4 mA of current, and is programmable to a 2-V, 2.5-V, or AVDD level. The level can be controlled by writing to page 1 / register 46, bits D1–D0. This functionality is shown in [Table 5-5](#).

Table 5-5. MICBIAS Settings

D1	D0	FUNCTIONALITY
0	0	MICBIAS output is powered down.
0	1	MICBIAS output is powered to 2 V.
1	0	MICBIAS output is powered to 2.5 V.
1	1	MICBIAS output is powered to AVDD.

During normal operation, MICBIAS can be set to 2.5 V for better performance. However, depending on the model of microphone that is selected, optimal performance might be obtained at another setting, so the performance at a given setting should be verified.

The lowest current consumption occurs when MICBIAS is powered down. The next-lowest current consumption occurs when MICBIAS is set at AVDD.

5.5.2 Analog Inputs AIN1 and AIN2

AIN1 (pin 13) and AIN2 (pin 14) are inputs to the output mixer along with the DAC output. Page 1 / register 36 provides control signals for determining the signals routed through the output mixer. The output of the output mixer then can be attenuated or amplified through the class-D and/or headphone/lineout drivers.

5.6 Audio DAC and Audio Analog Outputs

The mono audio DAC consists of a digital audio processing block, a digital interpolation filter, a digital delta-sigma modulator, and an analog reconstruction filter. The high oversampling ratio (normally DOSR is between 32 and 128) exhibits good dynamic range by ensuring that the quantization noise generated within the delta-sigma modulator stays outside of the audio frequency band. Audio analog outputs include mono headphone/lineout and mono class-D speaker outputs. Because the TLV320DAC3120 contains a mono DAC, it inputs the mono data from the left channel, the right channel, or a mix of the left and right channels as $[(L + R) \div 2]$, selected by page 0 / register 63, bits D5–D4. See [Figure 1-1](#) for the signal flow.

5.6.1 DAC

The TLV320DAC3120 mono audio DAC supports data rates from 8 kHz to 192 kHz. The audio channel of the mono DAC consists of a signal-processing engine with fixed processing blocks, a programmable miniDSP, a digital interpolation filter, multibit digital delta-sigma modulator, and an analog reconstruction filter. The DAC is designed to provide enhanced performance at low sampling rates through increased oversampling and image filtering, thereby keeping quantization noise generated within the delta-sigma modulator and observed in the signal images strongly suppressed within the audio band to beyond 20 kHz. To handle multiple input rates and optimize power dissipation and performance, the TLV320DAC3120 allows the system designer to program the oversampling rates over a wide range from 1 to 1024 by configuring page 0 / register 13 and page 0 / register 14. The system designer can choose higher oversampling ratios for lower input data rates and lower oversampling ratios for higher input data rates.

The TLV320DAC3120 DAC channel includes a built-in digital interpolation filter to generate oversampled data for the delta-sigma modulator. The interpolation filter can be chosen from three different types, depending on required frequency response, group delay, and sampling rate.

DAC power up is controlled by writing to page 0 / register 63, bit D7 for the mono channel. The mono-channel DAC clipping flag is provided as a read-only bit on page 0 / register 39, bit D7.

5.6.1.1 DAC Processing Blocks

The TLV320DAC3120 implements signal-processing capabilities and interpolation filtering via processing blocks. These fixed processing blocks give users the choice of how much and what type of signal processing they may use and which interpolation filter is applied.

The choices among these processing blocks allows the system designer to balance power conservation and signal-processing flexibility. [Table 5-6](#) gives an overview of all available processing blocks of the DAC channel and their properties. The resource-class column gives an approximate indication of power consumption for the digital (DVDD) supply; however, based on the out-of-band noise spectrum, the analog power consumption of the drivers (HPVDD) may differ.

The signal-processing blocks available are:

- First-order IIR
- Scalable number of biquad filters

The processing blocks are tuned for common cases and can achieve high image rejection or low group delay in combination with various signal-processing effects such as audio effects and frequency shaping. The available first-order IIR and biquad filters have fully user-programmable coefficients.

Table 5-6. Overview – DAC Predefined Processing Blocks

Processing Block No.	Interpolation Filter	Channel	First-Order IIR Available	Number of Biquads	DRC	Resource Class
PRB_P4	A	Mono	No	3	No	4
PRB_P5	A	Mono	Yes	6	Yes	6
PRB_P6	A	Mono	Yes	6	No	6
PRB_P12	B	Mono	Yes	0	No	3
PRB_P13	B	Mono	No	4	Yes	4
PRB_P14	B	Mono	No	4	No	4
PRB_P15	B	Mono	Yes	6	Yes	6
PRB_P16	B	Mono	Yes	6	No	4
PRB_P20	C	Mono	Yes	0	No	2
PRB_P21	C	Mono	Yes	4	Yes	3
PRB_P22	C	Mono	Yes	4	No	2

5.6.1.2 DAC Processing Blocks – Signal Chain Details

5.6.1.2.1 Three Biquads, Filter A

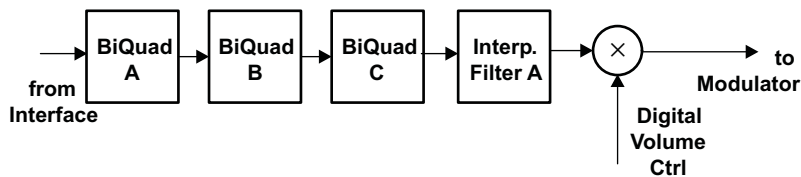


Figure 5-2. Signal Chain for PRB_P4

5.6.1.2.2 Six Biquads, First-Order IIR, DRC, Filter A or B

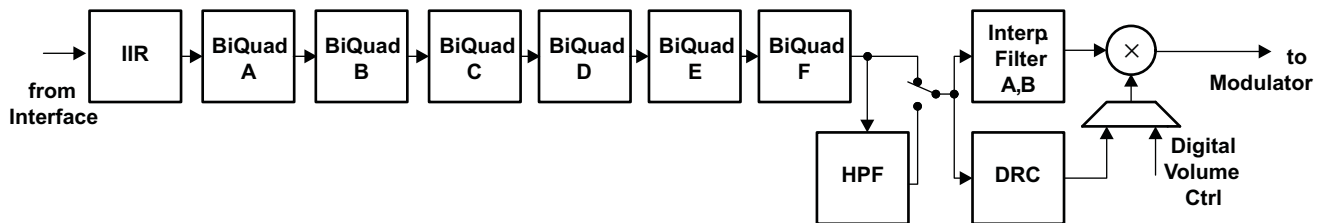


Figure 5-3. Signal Chain for PRB_P5 and PRB_P15

5.6.1.2.3 Six Biquads, First-Order IIR, Filter A or B

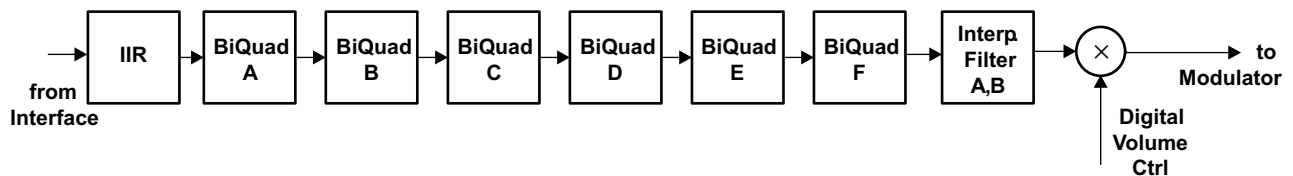


Figure 5-4. Signal Chain for PRB_P6 and PRB_P16

5.6.1.2.4 IIR, Filter B or C

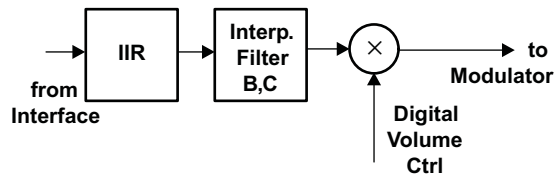


Figure 5-5. Signal Chain for PRB_P12 and PRB_P20

5.6.1.2.5 Four Biquads, DRC, Filter B

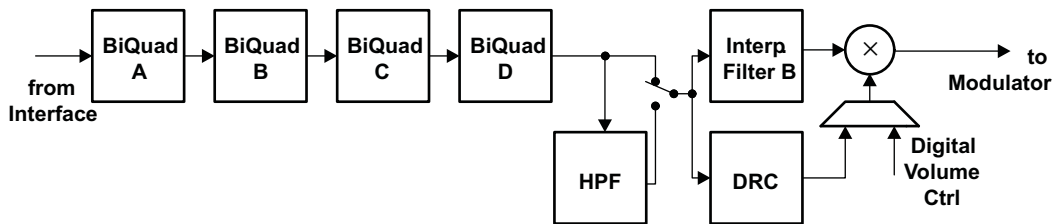


Figure 5-6. Signal Chain for PRB_P13

5.6.1.2.6 Four Biquads, Filter B

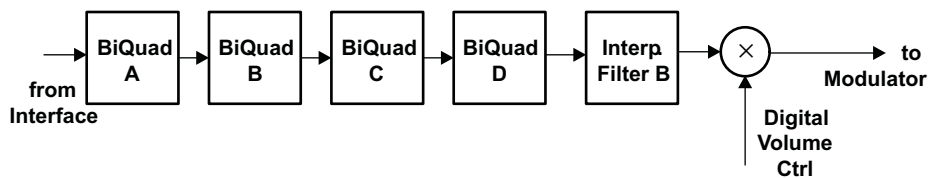


Figure 5-7. Signal Chain for PRB_P14

5.6.1.2.7 Four Biquads, First-Order IIR, DRC, Filter C

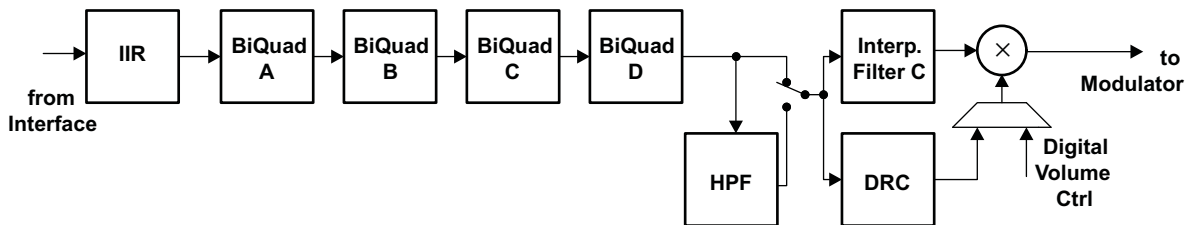


Figure 5-8. Signal Chain for PRB_P21

5.6.1.2.8 Four Biquads, First-Order IIR, Filter C

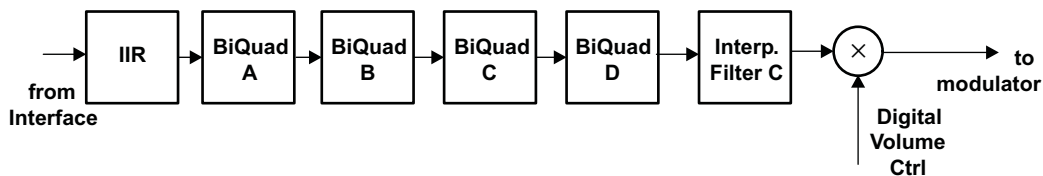


Figure 5-9. Signal Chain for PRB_P22

5.6.1.3 DAC User-Programmable Filters

Depending on the selected processing block, different types and orders of digital filtering are available. Up to six biquad sections are available for specific processing blocks.

The coefficients of the available filters are arranged as sequentially-indexed coefficients in two banks. If adaptive filtering is chosen, the coefficient banks can be switched in real time.

When the DAC is running, the user-programmable filter coefficients are locked and cannot be accessed for either read or write.

However, the TLV320DAC3120 offers an adaptive filter mode as well. Setting page 8 / register 1, bit D2 = 1 turns on double buffering of the coefficients. In this mode, filter coefficients can be updated through the host and activated without stopping and restarting the DAC. This enables advanced adaptive filtering applications.

In the double-buffering scheme, all coefficients are stored in two buffers (buffers A and B). When the DAC is running and adaptive filtering mode is turned on, setting page 8 / register 1, bit D0 = 1 switches the coefficient buffers at the next start of a sampling period. This bit is set back to 0 after the switch occurs. At the same time, page 8 / register 1, bit D1 toggles.

The flag in page 8 / register 1, bit D1 indicates which of the two buffers is actually in use.

Page 8 / register 1, bit D1 = 0: buffer A is in use by the DAC engine; bit D1 = 1: buffer B is in use.

While the device is running, coefficient updates are always made to the buffer not in use by the DAC, regardless of the buffer to which the coefficients have been written.

Table 5-7. Adaptive-Mode Filter-Coefficient Buffer Switching

DAC Powered Up	Page 8, Reg 1, Bit D1	Coefficient Buffer in Use	I ² C Writes to	Updates
No	0	None	Page 8, Reg 2–3, buffer A	Page 8, Reg 2–3, buffer A
No	0	None	Page 12, Reg 2–3, buffer B	Page 12, Reg 2–3, buffer B
Yes	0	Buffer A	Page 8, Reg 2–3, buffer A	Page 12, Reg 2–3, buffer B
Yes	0	Buffer A	Page 12, Reg 2–3, buffer B	Page 12, Reg 2–3, buffer B
Yes	1	Buffer B	Page 8, Reg 2–3, buffer A	Page 8, Reg 2–3, buffer A
Yes	1	Buffer B	Page 12, Reg 2–3, buffer B	Page 8, Reg 2–3, buffer A

The user-programmable coefficients for the DAC processing blocks are defined on pages 8 and 9 for buffer A and pages 12 and 13 for buffer B.

The coefficients of these filters are each 16-bit, 2s-complement format, occupying two consecutive 8-bit registers in the register space. Specifically, the filter coefficients are in 1.15 (one dot 15) format with a range from –1.0 (0x8000) to 0.999969482421875 (0x7FFF) as shown in [Figure 5-10](#).

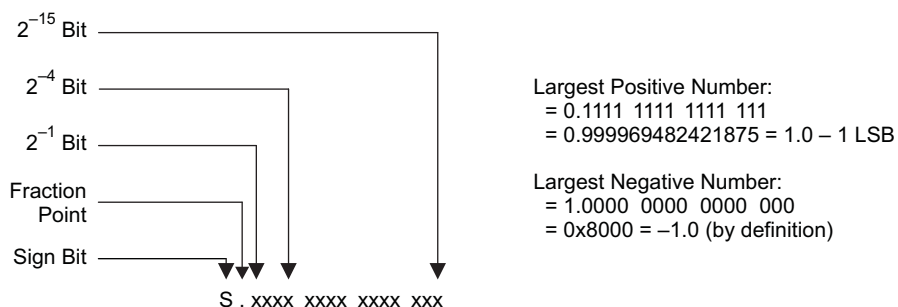


Figure 5-10.

5.6.1.3.1 First-Order IIR Section

The IIR is of first order and its transfer function is given by

$$H(z) = \frac{N_0 + N_1z^{-1}}{2^{15} - D_1z^{-1}} \quad (1)$$

The frequency response for the first-order IIR section with default coefficients is flat.

Table 5-8. DAC IIR Filter Coefficients

Filter	Filter Coefficient	DAC Coefficient, Mono Channel	Default (Reset) Values
First-order IIR	N0	Page 9 / registers 2–3	0x7FFF (decimal 1.0 – LSB value)
	N1	Page 9 / registers 4–5	0x0000
	D1	Page 9 / registers 6–7	0x0000

5.6.1.3.2 Biquad Section

The transfer function of each of the biquad filters is given by

$$H(z) = \frac{N_0 + 2 \times N_1z^{-1} + N_2z^{-2}}{2^{15} - 2 \times D_1z^{-1} - D_2z^{-2}} \quad (2)$$

Table 5-9. DAC Biquad Filter Coefficients

Filter	Coefficient	Mono DAC Channel	Default (Reset) Values
Biquad A	N0	Page 8 / registers 2–3	0x7FFF (decimal 1.0 – LSB value)
	N1	Page 8 / registers 4–5	0x0000
	N2	Page 8 / registers 6–7	0x0000
	D1	Page 8 / registers 8–9	0x0000
	D2	Page 8 / registers 10–11	0x0000
Biquad B	N0	Page 8 / registers 12–13	0x7FFF (decimal 1.0 – LSB value)
	N1	Page 8 / registers 14–15	0x0000
	N2	Page 8 / registers 16–17	0x0000
	D1	Page 8 / registers 18–19	0x0000
	D2	Page 8 / registers 20–21	0x0000
Biquad C	N0	Page 8 / registers 22–23	0x7FFF (decimal 1.0 – LSB value)
	N1	Page 8 / registers 24–25	0x0000
	N2	Page 8 / registers 26–27	0x0000
	D1	Page 8 / registers 28–29	0x0000
	D2	Page 8 / registers 30–31	0x0000
Biquad D	N0	Page 8 / registers 32–33	0x7FFF (decimal 1.0 – LSB value)
	N1	Page 8 / registers 34–35	0x0000
	N2	Page 8 / registers 36–37	0x0000
	D1	Page 8 / registers 38–39	0x0000
	D2	Page 8 / registers 40–41	0x0000
Biquad E	N0	Page 8 / registers 42–43	0x7FFF (decimal 1.0 – LSB value)
	N1	Page 8 / registers 44–45	0x0000
	N2	Page 8 / registers 46–47	0x0000
	D1	Page 8 / registers 48–49	0x0000
	D2	Page 8 / registers 50–51	0x0000

Table 5-9. DAC Biquad Filter Coefficients (continued)

Filter	Coefficient	Mono DAC Channel	Default (Reset) Values
Biquad F	N0	Page 8 / registers 52–53	0x7FFF (decimal 1.0 – LSB value)
	N1	Page 8 / registers 54–55	0x0000
	N2	Page 8 / registers 56–57	0x0000
	D1	Page 8 / registers 58–59	0x0000
	D2	Page 8 / registers 60–61	0x0000

5.6.1.4 DAC Interpolation Filter Characteristics

5.6.1.4.1 Interpolation Filter A

Filter A is designed for an f_s up to 48 ksp/s with a flat pass band of 0 kHz–20 kHz.

Table 5-10. Specification for DAC Interpolation Filter A

Parameter	Condition	Value (Typical)	Unit
Filter-gain pass band	$0 \dots 0.45 f_s$	± 0.015	dB
Filter-gain stop band	$0.55 f_s \dots 7.455 f_s$	-65	dB
Filter group delay		$21/f_s$	s

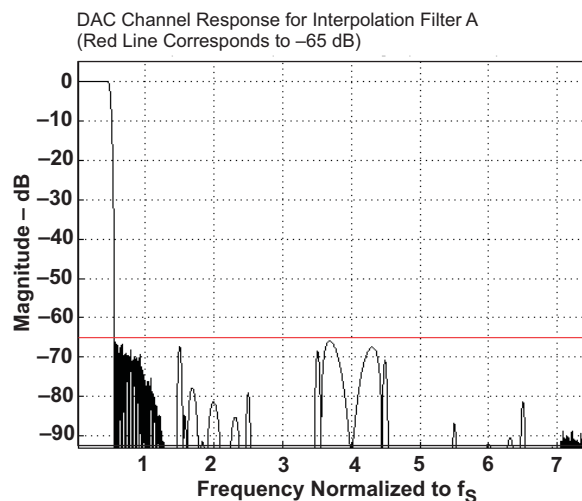


Figure 5-11. Frequency Response of DAC Interpolation Filter A

5.6.1.4.2 Interpolation Filter B

Filter B is specifically designed for an f_s up to 96 ksp/s. Thus, the flat pass-band region easily covers the required audio band of 0 kHz–20 kHz.

Table 5-11. Specification for DAC Interpolation Filter B

Parameter	Condition	Value (Typical)	Unit
Filter-gain pass band	$0 \dots 0.45 f_s$	± 0.015	dB
Filter-gain stop band	$0.55 f_s \dots 3.45 f_s$	-58	dB
Filter group delay		$18/f_s$	s

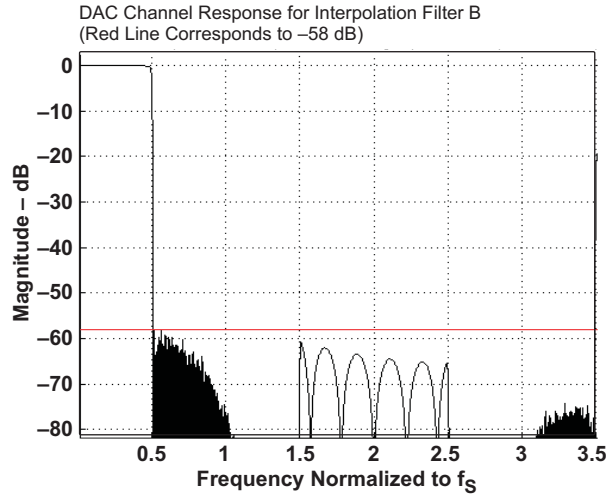


Figure 5-12. Frequency Response of Channel Interpolation Filter B

5.6.1.4.3 Interpolation Filter C

Filter C is specifically designed for the 192-kbps mode. The pass band extends up to $0.4 \times f_s$ (corresponds to 80 kHz), more than sufficient for audio applications.

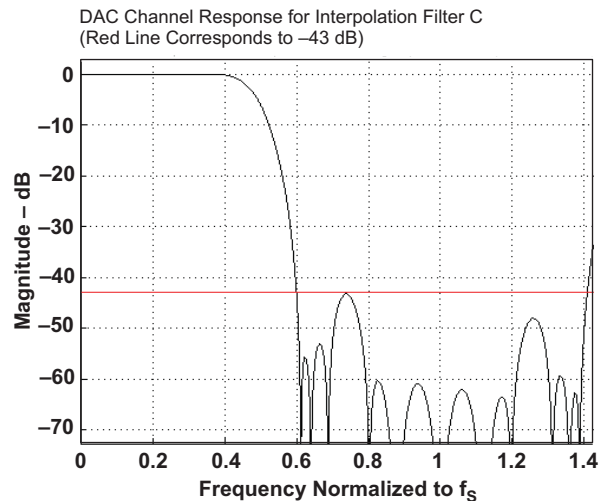


Figure 5-13. Frequency Response of DAC Interpolation Filter C

Table 5-12. Specification for DAC Interpolation Filter C

Parameter	Condition	Value (Typical)	Unit
Filter-gain pass band	$0 \dots 0.35 f_s$	± 0.03	dB
Filter-gain stop band	$0.6 f_s \dots 1.4 f_s$	-43	dB
Filter group delay		$13/f_s$	s

5.6.2 DAC Digital-Volume Control

The DAC has a digital volume-control block which implements programmable gain. Each channel has an independent volume control that can be varied from 24 dB to -63.5 dB in 0.5-dB steps. The mono-channel DAC volume can be controlled by writing to page 0 / register 65, bits D7–D0. DAC muting and setting up a master gain control to control the mono channel is done by writing to page 0 / register 64, bits D3 and D1. The gain is implemented with a soft-stepping algorithm, which only changes the actual volume by

0.125 dB per input sample, either up or down, until the desired volume is reached. The rate of soft-stepping can be slowed to one step per two input samples by writing to page 0 / register 63, bits D1–D0. Note that the default source for volume-control level settings is controlled by register writes to page 0 / register 65. Use of the VOL/MICDET pin to control the DAC volume is ignored until the volume-control source selected has been changed to pin control (page 0 / register 116, bit D7 = 1). This functionality is shown in [Figure 1-1](#).

During soft-stepping, the host does not receive a signal when the DAC has been completely muted. This may be important if the host must mute the DAC before making a significant change, such as changing sample rates. In order to help with this situation, the device provides a flag back to the host via a read-only register, page 0 / register 38, bit D4 for the mono channel. This information alerts the host when the part has completed the soft-stepping, and the actual volume has reached the desired volume level. The soft-stepping feature can be disabled by writing to page 0 / register 63, bits D1–D0.

If soft-stepping is enabled, the CODEC_CLKIN signal should be kept active until the DAC power-up flag is cleared. When this flag is cleared, the internal DAC soft-stepping process is complete, and CODEC_CLKIN can be stopped if desired. (The analog volume control can be ramped down using an internal oscillator.)

5.6.3 Volume-Control Pin

The range of voltages used by the 7-bit SAR ADC is shown in the [Electrical Characteristics](#) table.

The volume-control pin is not enabled by default, but it can be enabled by writing 1 to page 0 / register 116, bit D7. The default DAC volume control uses software control of the volume, which occurs if page 0 / register 116, bit D7 = 0. Soft-stepping the volume level is set up by writing to page 0 / register 63, bits D1–D0.

When the volume-pin function is used, a 7-bit Vol ADC reads the voltage on the VOL/MICDET pin and updates the digital volume control. (It overwrites the current value of the volume control.) The new volume setting which has been applied due to a change of voltage on the volume control pin can be read on page 0 / register 117, bits D6–D0. The 7-bit Vol ADC clock source can be selected on page 0 / register 116, bit D6. The update rate can be programmed on page 0 / register 116, bits D2–D0 for this 7-bit SAR ADC.

The VOL/MICDET pin gain mapping is shown in [Table 5-13](#).

Table 5-13. VOL/MICDET Pin Gain Mapping

VOL/MICDET PIN SAR OUTPUT	DIGITAL GAIN APPLIED
0	18 dB
1	17.5 dB
2	17 dB
:	:
35	0.5 dB
36	0.0 dB
37	–0.5 dB
:	:
89	–26.5 dB
90	–27 dB
91	–28 dB
:	:
125	–62 dB
126	–63 dB
127	Mute

The VOL/MICDET pin connection and functionality are shown in [Figure 1-1](#).

As shown in [Table 5-13](#), the VOL/MICDET pin has a range of volume control from 18 dB down to –63 dB, and mute. However, if less maximum gain is required, then a smaller range of voltage should be applied to the VOL/MICDET pin. This can be done by increasing the value of R2 relative to the value of (P1 + R1), so that more voltage is available at the bottom of P1. The circuit should also be designed such that for the values of R1, R2, and P1 chosen, the maximum voltage (top of the potentiometer) does not exceed AVDD/2 (see [Figure 5-1](#)). The recommended values for R1, R2, and P1 for several maximum gains are shown in [Table 5-14](#). Note that in typical applications, R1 should not be 0 Ω, as the VOL/MICDET pin should not exceed AVDD/2 for proper ADC operation.

Table 5-14. VOL/MICDET Pin Gain Scaling

R1 (kΩ)	P1 (kΩ)	R2 (kΩ)	ADC VOLTAGE for AVDD = 3.3 V (V)	DIGITAL GAIN RANGE (dB)
25	25	0	0 V to 1.65 V	18 dB to –63 dB
33	25	7.68	0.386 V to 1.642 V	3 dB to –63 dB
34.8	25	9.76	0.463 V to 1.649 V	0 dB to –63 dB

5.6.4 Dynamic Range Compression

Typical music signals are characterized by crest factors, the ratio of peak signal power to average signal power, of 12 dB or more. To avoid audible distortions due to clipping of peak signals, the gain of the DAC channel must be adjusted so as not to cause hard clipping of peak signals. As a result, during nominal periods, the applied gain is low, causing the perception that the signal is not loud enough. To overcome this problem, DRC in the TLV320DAC3120 continuously monitors the output of the DAC digital volume control to detect its power level relative to 0 dBFS. When the power level is low, DRC increases the input signal gain to make it sound louder. At the same time, if a peaking signal is detected, it autonomously reduces the applied gain to avoid hard clipping. This results in sounds more pleasing to the ear as well as sounding louder during nominal periods.

The DRC functionality in the TLV320DAC3120 is implemented by a combination of processing blocks in the DAC channel as described in [Section 5.6.1.2](#).

DRC can be disabled by writing 0 / register 68, bits D6–D5.

DRC typically works on the filtered version of the input signal. The input signals have no audio information at dc and extremely low frequencies; however, they can significantly influence the energy estimation function in DRC. Also, most of the information about signal energy is concentrated in the low-frequency region of the input signal.

To estimate the energy of the input signal, the signal is first fed to the DRC high-pass filter and then to the DRC low-pass filter. These filters are implemented as first-order IIR filters given by

$$H_{\text{HPF}}(z) = \frac{N_0 + N_1 z^{-1}}{2^{15} - D_1 z^{-1}} \quad (3)$$

$$H_{\text{LPF}}(z) = \frac{N_0 + N_1 z^{-1}}{2^{15} - D_1 z^{-1}} \quad (4)$$

The coefficients for these filters are 16 bits wide in 2s-complement format and are user-programmable through register write as given in [Table 5-15](#).

Table 5-15. DRC HPF and LPF Coefficients

Coefficient	Location
HPF N0	C71 page 9 / registers 14 to 15
HPF N1	C72 page 9 / registers 16 to 17
HPF D1	C73 page 9 / registers 18 to 19
LPF N0	C74 page 9 / registers 20 to 21
LPF N1	C75 page 9 / registers 22 to 23
LPF D1	C76 page 9 / registers 24 to 25

The default values of these coefficients implement a high-pass filter with a cutoff at $0.00166 \times \text{DAC}_f_s$, and a low-pass filter with a cutoff at $0.00033 \times \text{DAC}_f_s$.

The output of the DRC high-pass filter is fed to the processing block selected for the DAC channel. The absolute value of the DRC-LPF filter is used for energy estimation within the DRC.

The gain in the DAC digital volume control is controlled by page 0 / registers 65 and 66. When the DRC is enabled, the applied gain is a function of the digital volume-control register setting and the output of the DRC.

The DRC parameters are described in sections that follow.

5.6.4.1 DRC Threshold

The DRC threshold represents the level of the DAC playback signal at which the gain compression becomes active. The output of the digital volume control in the DAC is compared with the set threshold. The threshold value is programmable by writing to page 0 / register 68, bits D4–D2. The threshold value can be adjusted between -3 dBFS and -24 dBFS in steps of 3 dB. Keeping the DRC threshold value too high may not leave enough time for the DRC block to detect peaking signals, and can cause excessive distortion at the outputs. Keeping the DRC threshold value too low can limit the perceived loudness of the output signal.

The recommended DRC threshold value is -24 dB.

When the output signal exceeds the set DRC threshold, the interrupt flag bits at page 0 / register 44, bits D3–D2 are updated. These flag bits are *sticky* in nature, and are reset only after they are read back by the user. The non-sticky versions of the interrupt flags are also available at page 0 / register 46, bits D3–D2.

5.6.4.2 DRC Hysteresis

DRC hysteresis is programmable by writing to page 0 / register 68, bits D1–D0. These bits can be programmed to represent values between 0 dB and 3 dB in steps of 1 dB. It is a programmable window around the programmed DRC threshold that must be exceeded for disabled DRC to become enabled, or enabled DRC to become disabled. For example, if the DRC threshold is set to -12 dBFS and the DRC hysteresis is set to 3 dB, then if the gain compression in DRC is inactive, the output of the DAC digital volume control must exceed -9 dBFS before gain compression due to the DRC is activated. Similarly, when the gain compression in the DRC is active, the output of the DAC digital volume control must fall below -15 dBFS for gain compression in the DRC to be deactivated. The DRC hysteresis feature prevents the rapid activation and de-activation of gain compression in DRC in cases when the output of the DAC digital volume control rapidly fluctuates in a narrow region around the programmed DRC threshold. By programming the DRC hysteresis as 0 dB, the hysteresis action is disabled.

The recommended value of DRC hysteresis is 3 dB.

5.6.4.3 DRC Hold Time

DRC hold time is intended to slow the start of decay for a specified period of time in response to a decrease in energy level. To minimize audible artifacts, it is recommended to set the DRC hold time to 0 through programming page 0 / register 69, bits D6–D3 = 0000.

5.6.4.4 DRC Attack Rate

When the output of the DAC digital volume control exceeds the programmed DRC threshold, the gain applied in the DAC digital volume control is progressively reduced to prevent the signal from saturating the channel. This process of reducing the applied gain is called *attack*. To avoid audible artifacts, the gain is reduced slowly with a rate equaling the attack rate, programmable via page 0 / register 70, bits D7–D4. Attack rates can be programmed from 4-dB gain change per sample period to 1.2207e–5-dB gain change per sample period.

Attack rates should be programmed such that before the output of the DAC digital volume control can clip, the input signal should be sufficiently attenuated. High attack rates can cause audible artifacts, and too-slow attack rates may not be able to prevent the input signal from clipping.

The recommended DRC attack rate value is 1.9531e–4 dB per sample period.

5.6.4.5 DRC Decay Rate

When the DRC detects a reduction in output signal swing beyond the programmed DRC threshold, the DRC enters a decay state, where the applied gain in the digital-volume control is gradually increased to programmed values. To avoid audible artifacts, the gain is slowly increased with a rate equal to the decay rate programmed through page 0 / register 70, bits D3–D0. The decay rates can be programmed from 1.5625e–3 dB per sample period to 4.7683e–7 dB per sample period. If the decay rates are programmed too high, then sudden gain changes can cause audible artifacts. However, if it is programmed too slow, then the output may be perceived as too low for a long time after the peak signal has passed.

The recommended Value of DRC attack rate is 2.4414e–5 dB per sample period.

5.6.4.6 Example Setup for DRC

- DAC vol gain = 12 dB
- Threshold = –24 dB
- Hysteresis = 3 dB
- Hold time = 0 ms
- Attack rate = 1.9531e–4 dB per sample period
- Decay rate = 2.4414e–5 dB per sample period

Script

```
#Go to Page 0 w 30 00 00 #DAC => 12 db gain mono w 30 41 18 #DAC => DRC Enabled, Threshold = -
24 db, Hysteresis = 3 dB w 30 44 7F #DRC Hold = 0 ms, Rate of Changes of Gain = 0.5 dB/Fs' w 30
45 00 #Attack Rate = 1.9531e-4 dB/Frame , DRC Decay Rate =2.4414e-5 dB/Frame w 30 46 B6 #Go to
Page 9 w 30 00 09 #DRC HPF w 30 0E 7F AB 80 55 7F 56 #DRC LPF W 30 14 00 11 00 11 7F DE
```

5.6.4.7 Headset Detection

The TLV320DAC3120 includes extensive capability to monitor a headphone, microphone, or headset jack, to determine if a plug has been inserted into the jack, and then determine what type of headset/headphone is wired to the plug. The device also includes the capability to detect a button press, even, for example, when starting calls on mobile phones with headsets. [Figure 5-14](#) shows the circuit configuration to enable this feature.

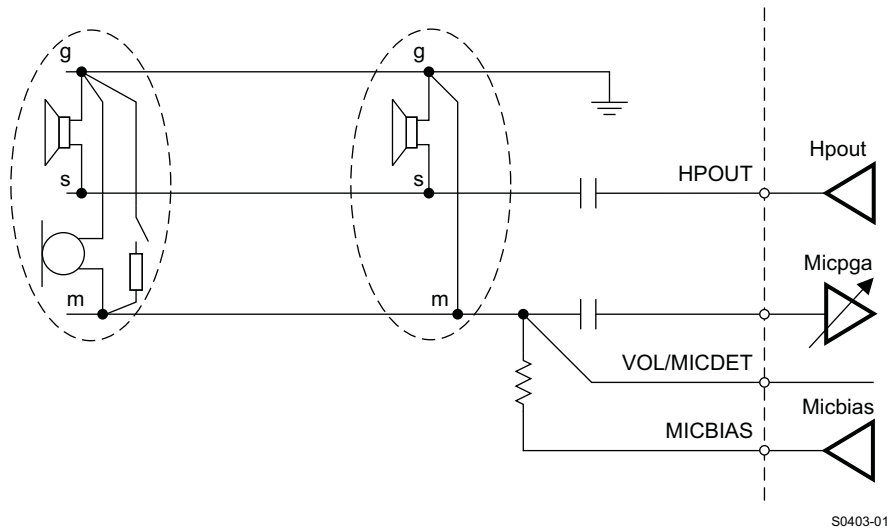


Figure 5-14. Jack Connections for Headset Detection

This feature is enabled by programming page 0 / register 67, bit D1. In order to avoid false detections due to mechanical vibrations in headset jacks or microphone buttons, a debounce function is provided for glitch rejection. For the case of headset insertion, a debounce function with a range of 32 ms to 512 ms is provided. This can be programmed via page 0 / register 67, bits D4–D2. For improved button-press detection, the debounce function has a range of 8 ms to 32 ms by programming page 0 / register 67, bits D1–D0.

The TLV320DAC3120 also provides feedback to the user when a button press or a headset insertion/removal event is detected through register-readable flags or an interrupt on the I/O pins. The value in page 0 / register 46, bits D5–D4 provides the instantaneous state of button press and headset insertion. Page 0 / register 44, bit D5 is a sticky (latched) flag that is set when the button-press event is detected. Page 0 / register 44, bit D4 is a sticky flag which is set when the headset insertion or removal event is detected. These sticky flags are set by the event occurrence, and are reset only when read. This requires polling page 0 / register 44. To avoid polling and the associated overhead, the TLV320DAC3120 also provides an interrupt feature whereby the events can trigger the INT1 and/or INT2 interrupts. These interrupt events can be routed to one of the digital output pins. See [Section 5.6.4.8](#) for details.

The TLV320DAC3120 not only detects a headset-insertion event, but also is able to distinguish between the different headsets inserted, such as stereo headphones or cellular headphones. After the headset-detection event, the user can read page 0 / register 67, bits D6–D5 to determine the type of headset inserted.

Table 5-16. Headset-Detection Block Registers

Register	Description
Page 0 / register 67, bit D1	Headset-detection enable/disable
Page 0 / register 67, bits D4–D2	Debounce programmability for headset detection
Page 0 / register 67, bits D1–D0	Debounce programmability for button press
Page 0 / register 44, bit D5	Sticky flag for button-press event
Page 0 / register 44, bit D4	Sticky flag for headset-insertion or -removal event
Page 0 / register 46, bit D5	Status flag for button-press event
Page 0 / register 46, bit D4	Status flag for headset insertion and removal
Page 0 / register 67, bits D6–D5	Flags for type of headset detected

The headset detection block requires AVDD to be powered. The headset-detection feature in the TLV320DAC3120 is achieved with very low power overhead, requiring less than 20 μ A of additional current from the AVDD supply.

5.6.4.8 Interrupts

Some specific events in the TLV320DAC3120, which may require host-processor intervention, can be used to trigger interrupts to the host processor. This avoids polling the status-flag registers continuously. The TLV320DAC3120 has two defined interrupts, INT1 and INT2, that can be configured by programming page 0 / register 48 and page 0 / register 49. A user can configure interrupts INT1 and INT2 to be triggered by one or many events, such as:

- Headset detection
- Button press
- DAC DRC signal exceeding threshold
- Noise detected by AGC
- Overcurrent condition in headphone drivers/speaker drivers
- Data overflow in the DAC processing blocks and filters
- DC measurement data available

Each of these INT1 and INT2 interrupts can be routed to output pin GPIO1. These interrupt signals can either be configured as a single pulse or a series of pulses by programming page 0 / register 48, bit D0 and page 0 / register 49, bit D0. If the user configures the interrupts as a series of pulses, the events trigger the start of pulses that stop when the flag registers in page 0 / register 44, page 0 / register 45, and page 0 / register 50 are read by the user to determine the cause of the interrupt.

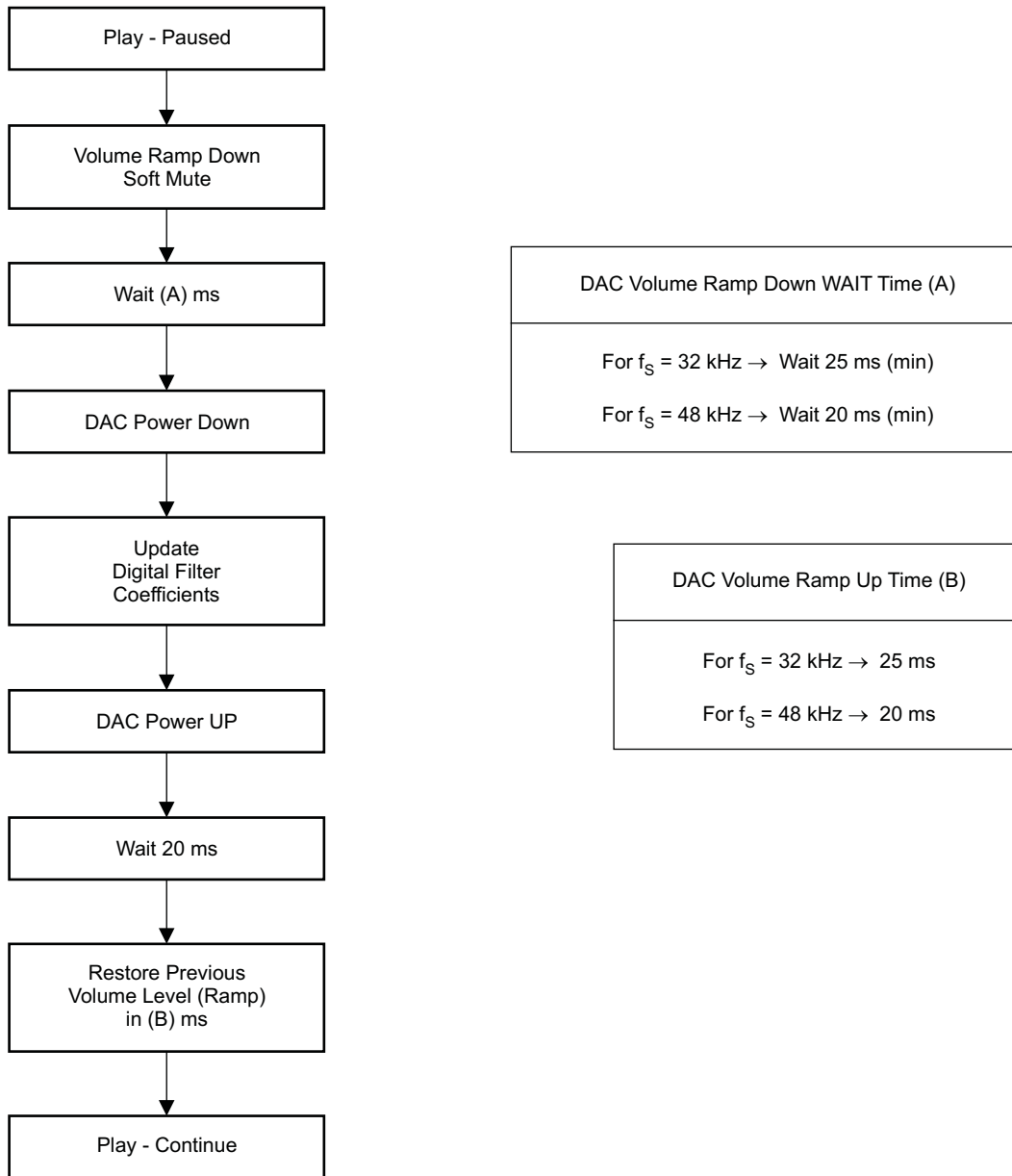
5.6.5 Programming DAC Digital Filter Coefficients

The digital filter coefficients must be programmed through the I²C interface. All digital filtering for the DAC signal path must be loaded into the RAM before the DAC is powered on. (Note that default ALLPASS filter coefficients for programmable biquads are located in boot ROM. The boot ROM automatically loads the default values into the RAM following a hardware reset (toggling the $\overline{\text{RESET}}$ pin) or after a software reset. After resetting the device, loading boot ROM coefficients into the digital filters requires 100 μ s of programming time. During this time, reading or writing to page 8 through page 15 for updating DAC filter coefficient values is not permitted. (The DAC should not be powered up until after all of the DAC configurations have been done by the system microprocessor.)

5.6.6 Updating DAC Digital Filter Coefficients During PLAY

When it is required to update the DAC digital filter coefficients during play, care must be taken to avoid click and pop noise or even a possible oscillation noise. These artifacts can occur if the DAC coefficients are updated without following the proper update sequence. The correct sequence is shown in [Figure 5-15](#). The values for times listed in [Figure 5-15](#) are conservative and should be used for software purposes.

There is also an adaptive mode, in which DAC coefficients can be updated while the DAC is on. For details, see [Section 5.6.1.3](#).



F0024-02

Figure 5-15. Example Flow For Updating DAC Digital Filter Coefficients During Play

5.6.7 Digital Mixing and Routing

The TLV320DAC3120 has four digital mixing blocks. Each mixer can provide either mixing or multiplexing of the digital audio data. The first mixer/multiplexer can be used to select input data for the mono DAC from left channel, right channel, or a mix of the left and right channels $[(L + R) / 2]$. This digital routing can be configured by writing to page 0 / register 63, bits D5–D4 for the DAC mono channel.

5.6.8 Analog Audio Routing

The TLV320DAC3120 has the capability to route the DAC output to either the headphone or the speaker output. If desirable, both output drivers can be operated at the same time while playing at different volume levels. The TLV320DAC3120 provides various digital routing capabilities, allowing digital mixing or even channel swapping in the digital domain. All analog outputs other than the selected ones can be powered down for optimal power consumption.

5.6.8.1 Analog Output Volume Control

The output volume control can be used to fine-tune the level of the mixer amplifier signal supplied to the headphone driver or the speaker driver. This architecture supports separate and concurrent volume levels for each of the four output drivers. This volume control can also be used as part of the output pop-noise reduction scheme. This feature is available even if the DAC is powered down.

5.6.8.2 Headphone Analog Output Volume Control

For the headphone outputs, the analog volume control has a range from 0 dB to –78 dB in 0.5-dB steps for most of the useful range plus mute, as shown in [Table 5-17](#) and [Table 5-18](#). This volume control includes soft-stepping logic. Routing the DAC output signal to the analog volume control is done by writing to page 1 / register 35, bits D7–D6.

Changing the analog volume for the headphone is controlled by writing to page 1 / register 36, bits D6–D0. Routing the signal from the output of the analog volume control to the input of the headphone power amplifier is done by writing to page 1 / register 36, bit D7.

The analog volume-control soft-stepping time is based on the setting in page 0 / register 63, bits D1–D0.

Table 5-17. Analog Volume Control for Headphone and Speaker Outputs (for D7 = 0)

Register Value	Analog Attenuation (dB)	Register Value	Analog Attenuation (dB)	Register Value	Analog Attenuation (dB)	Register Value	Analog Attenuation (dB)
0	0.0	30	-15.1	60	-30.1	90	-45.4
1	-0.5	31	-15.6	61	-30.7	91	-46.0
2	-1.0	32	-16.0	62	-31.1	92	-46.4
3	-1.5	33	-16.5	63	-31.7	93	-46.9
4	-2.0	34	-17.1	64	-32.2	94	-47.6
5	-2.5	35	-17.6	65	-32.7	95	-48.2
6	-3.0	36	-18.1	66	-33.2	96	-48.4
7	-3.5	37	-18.6	67	-33.7	97	-49.0
8	-4.0	38	-19.1	68	-34.2	98	-49.6
9	-4.5	39	-19.6	69	-34.7	99	-50.3
10	-5.0	40	-20.1	70	-35.2	100	-50.7
11	-5.5	41	-20.6	71	-35.7	101	-51.4
12	-6.0	42	-21.1	72	-36.2	102	-51.8
13	-6.5	43	-21.6	73	-36.8	103	-52.2
14	-7.0	44	-22.1	74	-37.2	104	-52.7
15	-7.5	45	-22.6	75	-37.8	105	-53.2
16	-8.0	46	-23.1	76	-38.3	106	-54.2
17	-8.5	47	-23.6	77	-38.8	107	-54.7
18	-9.0	48	-24.1	78	-39.3	108	-56.0
19	-9.5	49	-24.6	79	-39.8	109	-57.4
20	-10.0	50	-25.1	80	-40.3	110	-59.2
21	-10.5	51	-25.6	81	-40.8	111	-61.4
22	-11.0	52	-26.1	82	-41.4	112	-64.3
23	-11.5	53	-26.6	83	-41.9	113	-66.2
24	-12.0	54	-27.1	84	-42.3	114	-68.7
25	-12.5	55	-27.6	85	-42.9	115	-72.2
26	-13.0	56	-28.1	86	-43.3	116	-78.3
27	-13.5	57	-28.6	87	-43.9	117–127	PGA is muted.
28	-14.1	58	-29.1	88	-44.5		
29	-14.6	59	-29.6	89	-45.0		

Table 5-18. Analog Volume Control for Headphone and Speaker Outputs (for D7 = 1)

Register Value	Analog Attenuation (dB)	Register Value	Analog Attenuation (dB)	Register Value	Analog Attenuation (dB)	Register Value	Analog Attenuation (dB)
0	0.0	30	-15.0	60	-30.1	90	-45.2
1	-0.5	31	-15.5	61	-30.6	91	-45.8
2	-1.0	32	-16.0	62	-31.1	92	-46.2
3	-1.5	33	-16.5	63	-31.6	93	-46.7
4	-2.0	34	-17.0	64	-32.1	94	-47.4
5	-2.5	35	-17.5	65	-32.6	95	-47.9
6	-3.0	36	-18.1	66	-33.1	96	-48.2
7	-3.5	37	-18.6	67	-33.6	97	-48.7
8	-4.0	38	-19.1	68	-34.1	98	-49.3
9	-4.5	39	-19.6	69	-34.6	99	-50.0
10	-5.0	40	-20.1	70	-35.2	100	-50.3
11	-5.5	41	-20.6	71	-35.7	101	-51.0
12	-6.0	42	-21.1	72	-36.2	102	-51.4
13	-6.5	43	-21.6	73	-36.7	103	-51.8
14	-7.0	44	-22.1	74	-37.2	104	-52.2
15	-7.5	45	-22.6	75	-37.7	105	-52.7
16	-8.0	46	-23.1	76	-38.2	106	-53.7
17	-8.5	47	-23.6	77	-38.7	107	-54.2
18	-9.0	48	-24.1	78	-39.2	108	-55.3
19	-9.5	49	-24.6	79	-39.7	109	-56.7
20	-10.0	50	-25.1	80	-40.2	110	-58.3
21	-10.5	51	-25.6	81	-40.7	111	-60.2
22	-11.0	52	-26.1	82	-41.2	112	-62.7
23	-11.5	53	-26.6	83	-41.7	113	-64.3
24	-12.0	54	-27.1	84	-42.1	114	-66.2
25	-12.5	55	-27.6	85	-42.7	115	-68.7
26	-13.0	56	-28.1	86	-43.2	116	-72.2
27	-13.5	57	-28.6	87	-43.8	117–127	-78.3
28	-14.0	58	-29.1	88	-44.3		
29	-14.5	59	-29.6	89	-44.8		

5.6.8.3 Class-D Speaker Analog Output Volume Control

For the speaker outputs, the analog volume control has a range from 0 dB to -78 dB in 0.5-dB steps for most of the useful range plus mute, as seen in [Table 5-17](#) and [Table 5-18](#). The implementation includes soft-stepping logic.

Routing the DAC output signal to the analog volume control is done by writing to page 1 / register 35, bits D7–D6. Changing the analog volume for the speaker is controlled by writing to page 1 / register 38, bits D6–D0.

Routing the signal from the output of the analog volume control to the input of the speaker amplifier is done by writing to page 1 / register 38, bit D7.

The analog volume-control soft-stepping time is based on the setting in page 0 / register 63, bits D1–D0.

5.6.9 Analog Outputs

Various analog routings are supported for playback. All the options can be conveniently viewed on the functional block diagram, [Figure 1-1](#).

5.6.9.1 Headphone Drivers

The TLV320DAC3120 features a mono headphone driver (HPOUT) that can deliver up to 30 mW per channel, at 3.3-V supply voltage, into a 16- Ω load. The headphones are used in a single-ended configuration where an ac-coupling (dc-blocking) capacitor is connected between the device output pins and the headphones. The headphone driver also supports 32- Ω and 10-k Ω loads without changing any control register settings.

The headphone drivers can be configured to optimize the power consumption in the lineout-drive mode by writing 11 to page 0 / register 44, bits D2–D1.

The output common mode of the headphone/lineout drivers can be programmed to 1.35 V, 1.5 V, 1.65 V, or 1.8 V by setting page 1 / register 31, bits D4–D3. The common-mode voltage should be set \leq AVDD/2.

The headphone driver can be powered on by writing to page 1 / register 31, bit D7. The HPOUT output driver gain can be controlled by writing to page 1 / register 40, bits D6–D3, and it can be muted by writing to page 1 / register 40, bit D2.

The TLV320DAC3120 has a short-circuit protection feature for the headphone drivers, which is always enabled to provide protection. The output condition of the headphone driver during short circuit can be programmed by writing to page 1 / register 31, bit D1. If D1 = 0 when a short circuit is detected, the device limits the maximum current to the load. If D1 = 1 when a short circuit is detected, the device powers down the output driver. The default condition for headphones is the current-limiting mode. In case of a short circuit on either channel, the output is disabled and a status flag is provided as read-only bits on page 1 / register 31, bit D0. If shutdown mode is enabled, then as soon as the short circuit is detected, page 1 / register 31, bit D7 (for HPLOUT) clears automatically. Next, the device requires a reset to re-enable the output stage. Resetting can be done in two ways. First, the device master reset can be used, which requires either toggling the $\overline{\text{RESET}}$ pin or using the software reset. If master reset is used, it resets all of the registers. Second, a dedicated headphone power-stage reset can also be used to re-enable the output stage, and that keeps all of the other device settings. The headphone power stage reset is done by setting page 1 / register 31, bit D7 for HPLOUT. If the fault condition has been removed, then the device returns to normal operation. If the fault is still present, then another shutdown occurs. Repeated resetting (more than three times) is not recommended, as this could lead to overheating.

5.6.9.2 Speaker Drivers

The TLV320DAC3120 has an integrated class-D mono speaker driver (SPKP/SPKM) capable of driving an 8- Ω or 4- Ω differential load. The speaker driver can be powered directly from the battery supply (2.7 V to 5.5 V) on the SPKVDD pins; however, the voltage (including spike voltage) must be limited below the absolute-maximum voltage of 6 V.

The speaker driver is capable of supplying 400 mW per channel with a 3.6-V power supply. Through the use of digital mixing, the device can connect one or both digital audio playback data channels to either speaker driver; this also allows digital channel swapping if needed.

The class-D speaker driver can be powered on by writing to page 1 / register 32, bit D7. The class-D output-driver gain can be controlled by writing to page 1 / register 42, bits D4–D3, and it can be muted by writing to page 1 / register 42, bit D2.

The TLV320DAC3120 has a short-circuit protection feature for the speaker drivers that is always enabled to provide protection. If the output is shorted, the output stage shuts down on the overcurrent condition. (Current limiting is not an available option for the higher-current speaker driver output stage.) In case of a short circuit, the output is disabled and a status flag is provided as a read-only bit on page 1 / register 32, bit D0.

If shutdown occurs due to an overcurrent condition, then the device requires a reset to re-enable the output stage. Resetting can be done in two ways. First, the device master reset can be used, which requires either toggling the $\overline{\text{RESET}}$ pin or using the software reset. If master reset is used, it resets all of the registers. Second, a dedicated speaker power-stage reset can be used that keeps all of the other device settings. The speaker power-stage reset is done by setting page 1 / register 32, bit D7 for SPKP and SPKM. If the fault condition has been removed, then the device returns to normal operation. If the fault is still present, then another shutdown occurs. Repeated resetting (more than three times) is not recommended, as this could lead to overheating.

To minimize battery current leakage, the SPKVDD voltage level should not be less than the AVDD voltage level.

The TLV320DAC3120 has a thermal protection (OTP) feature for the speaker drivers which is always enabled to provide protection. If the device is overheated, then the output stops switching. When the device cools down, the output resumes switching. An overtemperature status flag is provided as a read-only bit on page 0 / register 3, bit D1. The OTP feature is for self-protection of the device. If die temperature can be controlled at the system/board level, then overtemperature does not occur.

5.6.10 Audio Output-Stage Power Configurations

After the device has been configured (following a $\overline{\text{RESET}}$) and the circuitry has been powered up, the audio output stage can be powered up and powered down by register control.

These functions soft-start automatically. By using these register controls, it is possible to turn all four stages on at the same time without turning two of them off.

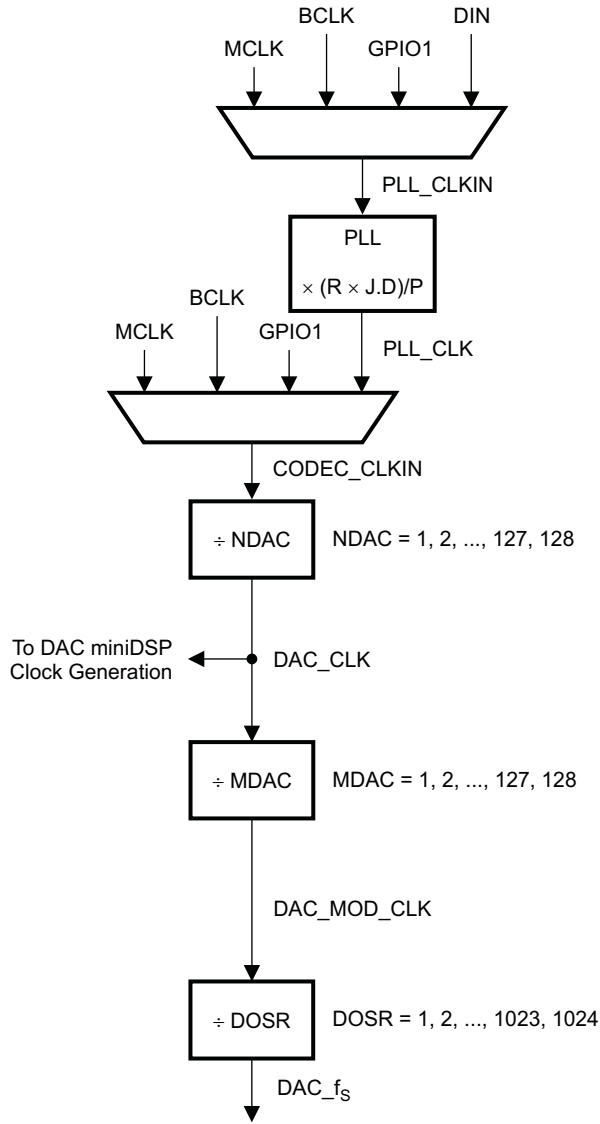
See [Table 5-19](#) for register control of audio output stage power configurations.

Table 5-19. Audio Output Stage Power Configurations

Audio Output Pins	Desired Function	Page 1 / Register, Bit Value
HPOUT	Power-down HPOUT driver	Page 1 / register 31, bit D7 = 0
HPOUT	Power-up HPOUT driver	Page 1 / register 31, bit D7 = 1
SPKP / SPKM	Power-down class-D driver	Page 1 / register 32, bit D7 = 0
SPKP / SPKM	Power-up class-D driver	Page 1 / register 32, bit D7 = 1

5.7 CLOCK Generation and PLL

The TLV320DAC3120 supports a wide range of options for generating clocks for the DAC sections as well as interface and other control blocks as shown in [Figure 5-16](#). The clocks for the DAC require a source reference clock. This clock can be provided on a variety of device pins, such as the MCLK, BCLK, or GPIO1 pins. The source reference clock for the codec can be chosen by programming the CODEC_CLKIN value on page 0 / register 4, bits D1–D0. The CODEC_CLKIN can then be routed through highly-flexible clock dividers shown in [Figure 5-16](#) to generate the various clocks required for the DAC and the miniDSP section. In the event that the desired audio clocks cannot be generated from the reference clocks on MCLK, BCLK, or GPIO1, the TLV320DAC3120 also provides the option of using the on-chip PLL which supports a wide range of fractional multiplication values to generate the required clocks. Starting from CODEC_CLKIN, the TLV320DAC3120 provides several programmable clock dividers to help achieve a variety of sampling rates for the DAC and clocks for the miniDSP sections.



B0357-06

Figure 5-16. Clock Distribution Tree

$$DAC_MOD_CLK = \frac{CODEC_CLKIN}{NDAC \times MDAC}$$

$$DAC_f_s = \frac{CODEC_CLKIN}{NDAC \times MDAC \times DOSR}$$

(5)

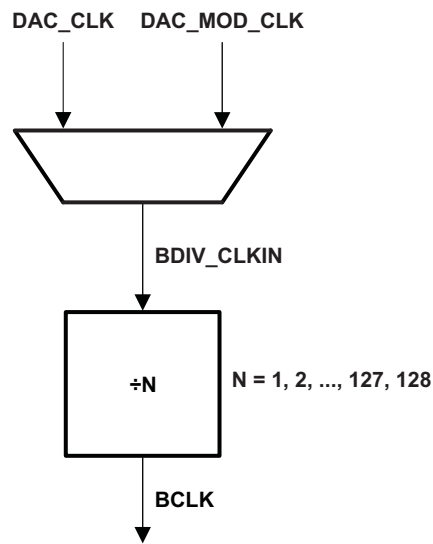
Table 5-20. CODEC CLKIN Clock Dividers

Divider	Bits
NDAC	Page 0 / register 11, bits D6–D0
MDAC	Page 0 / register 12, bits D6–D0
DOSR	Page 0 / register 13, bits D1–D0 and page 0 / register 14, bits D7–D0

The DAC modulator is clocked by DAC_MOD_CLK. For proper power-up operation of the DAC channel, these clocks must be enabled by configuring the NDAC and MDAC clock dividers (page 0 / register 11, bit D7 = 1 and page 0 / register 12, bit D7 = 1). When the DAC channel is powered down, the device internally initiates a power-down sequence for proper shut-down. During this shutdown sequence, the NDAC and MDAC dividers must not be powered down, or else a proper low-power shutdown may not take place. The user can read back the power-status flag at page 0 / register 37, bit D7 and page 0 / register 37, bit D3. When both the flags indicate power-down, the MDAC divider may be powered down, followed by the NDAC divider.

In general, all the root clock dividers should be powered down only after the child clock dividers have been powered down for proper operation.

The TLV320DAC3120 also has options for routing some of the internal clocks to the GPIO1 output pin to be used as general-purpose clocks in the system. The feature is shown in [Figure 5-18](#).

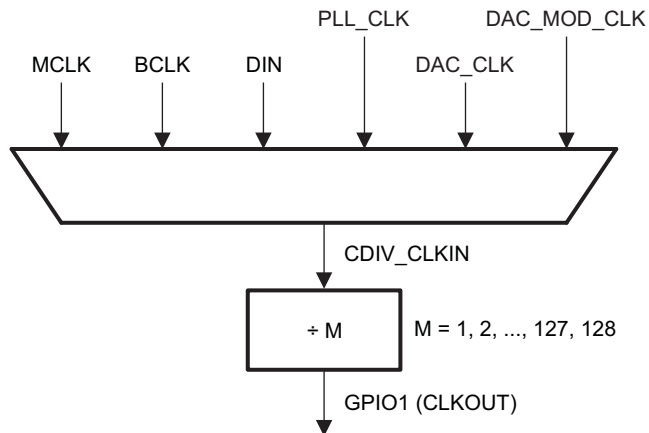


B0362-01

Figure 5-17. BCLK Output Options

In the mode when TLV320DAC3120 is configured to drive the BCLK pin (page 0 / register 27, bit D3 = 1), it can be driven as a divided value of BDIV_CLKIN. The division value can be programmed in page 0 / register 30, bits D6–D0 from 1 to 128 (see [Figure 5-17](#)). The BDIV_CLKIN can itself be configured to be one of DAC_CLK (DAC DSP clock) or DAC_MOD_CLK by configuring the BDIV_CLKIN multiplexer in page 0 / register 29, bits D1–D0. Additionally, a general-purpose clock can be driven out on GPIO1.

This clock can be a divided-down version of CDIV_CLKIN. The value of this clock divider can be programmed from 1 to 128 by writing to page 0 / register 26, bits D6–D0. The CDIV_CLKIN can itself be programmed as one of the clocks among the list shown in [Figure 5-18](#). This can be controlled by programming the multiplexer in page 0 / register 25, bits D2–D0.



B0363-01

Figure 5-18. General-Purpose Clock Output Options

Table 5-21. Maximum TLV320DAC3120 Clock Frequencies

Clock	DVDD ≥ 1.65 V
CODEC_CLKIN	≤ 110 MHz
DAC_CLK (DAC DSP clock)	≤ 49.152 MHz
DAC_miniDSP_CLK	≤ 49.152MHz with DRC disabled ≤ 48 MHz with DRC enabled
DAC_MOD_CLK	6.758 MHz
DAC _{f_s}	0.192 MHz
BDIV_CLKIN	55 MHz
CDIV_CLKIN	100 MHz when M is odd 110 MHz when M is even

5.7.1 PLL

For lower power consumption, it is best to derive the internal audio processing clocks using the simple dividers. When the input MCLK or other source clock is not an integer multiple of the audio processing clocks, then it is necessary to use the on-board PLL. The TLV320DAC3120 fractional PLL can be used to generate an internal master clock used to produce the processing clocks needed by the DAC and miniDSP. The programmability of this PLL allows operation from a wide variety of clocks that may be available in the system.

The PLL input supports clocks varying from 512 kHz to 20 MHz and is register programmable to enable generation of required sampling rates with fine resolution. The PLL can be turned on by writing to page 0 / register 5, bit D7. When the PLL is enabled, the PLL output clock PLL_CLK is given by the following equation:

$$PLL_CLK = \frac{PLL_CLKIN \times R \times J \cdot D}{P} \tag{6}$$

where

R = 1, 2, 3, ..., 16 (page 0 / register 5, default value = 1)

J = 1, 2, 3, ..., 63, (page 0 / register 6, default value = 4)

D = 0, 1, 2, ..., 9999 (page 0 / register 7 and 8, default value = 0)

P = 1, 2, 3, ..., 8 (page 0 / register 5, default value = 1)

The PLL can be turned on via page 0 / register 5, bit D7. The variable P can be programmed via page 0 / register 5, bits D6–D4. The variable R can be programmed via page 0 / register 5, bits D3–D0. The variable J can be programmed via page 0 / register 6, bits D5–D0. The variable D is 14 bits and is programmed into two registers. The MSB portion can be programmed via page 0 / register 7, bits D5–D0, and the LSB portion is programmed via page 0 / register 8, bits D7–D0. For proper update of the D-divider value, page 0 / register 7 must be programmed first, followed immediately by page 0 / register 8. Unless the write to page 0 / register 8 is completed, the new value of D does not take effect.

When the PLL is enabled, the following conditions must be satisfied.

- When the PLL is enabled and D = 0, the following conditions must be satisfied for PLL_CLKIN:

$$512 \text{ kHz} \leq \frac{\text{PLL_CLKIN}}{P} \leq 20 \text{ MHz} \quad (7)$$

$$80 \text{ MHz} \leq (\text{PLL_CLKIN} \times J.D \times R/P) \leq 110 \text{ MHz}$$

$$4 \leq R \times J \leq 259$$

- When the PLL is enabled and D ≠ 0, the following conditions must be satisfied for PLL_CLKIN:

$$10 \text{ MHz} \leq \frac{\text{PLL_CLKIN}}{P} \leq 20 \text{ MHz} \quad (10)$$

$$80 \text{ MHz} \leq (\text{PLL_CLKIN} \times J.D \times R/P) \leq 110 \text{ MHz}$$

$$R = 1$$

The PLL can be powered up independently from the DAC blocks, and can also be used as a general-purpose PLL by routing its output to the GPIO output. After powering up the PLL, PLL_CLK is available typically after 10 ms.

The clocks for codec and various signal processing blocks, CODEC_CLKIN can be generated from MCLK input, BCLK input, GPIO input or PLL_CLK (page 0 / register 4, bit D1-D0).

If the CODEC_CLKIN is derived from the PLL, then the PLL must be powered up first and powered down last.

[Table 5-22](#) lists several example cases of typical PLL_CLKIN rates and how to program the PLL to achieve a sample rate f_s of either 44.1 kHz or 48 kHz.

Table 5-22. PLL Example Configurations

PLL_CLKIN (MHz)	PLL _P	PLL _R	PLL _J	PLL _D	MDAC	NDAC	DOSR
f_S = 44.1 kHz							
2.8224	1	3	10	0	3	5	128
5.6448	1	3	5	0	3	5	128
12	1	1	7	560	3	5	128
13	1	1	6	3504	6	3	104
16	1	1	5	2920	3	5	128
19.2	1	1	4	4100	3	5	128
48	4	1	7	560	3	5	128
f_S = 48 kHz							
2.048	1	3	14	0	7	2	128
3.072	1	4	7	0	7	2	128
4.096	1	3	7	0	7	2	128
6.144	1	2	7	0	7	2	128
8.192	1	4	3	0	4	4	128
12	1	1	7	1680	7	2	128
16	1	1	5	3760	7	2	128
19.2	1	1	4	4800	7	2	128
48	4	1	7	1680	7	2	128

5.8 Digital Audio and Control Interface

5.8.1 Digital Audio Interface

Audio data is transferred between the host processor and the TLV320DAC3120 via the digital audio data serial interface, or audio bus. The audio bus on this device is very flexible, including left- or right-justified data options, support for I²S or PCM protocols, programmable data-length options, a TDM mode for multichannel operation, very flexible master/slave configurability for each bus clock line, and the ability to communicate with multiple devices within a system directly.

NOTE

The TLV320AIC3102 has a mono DAC, which inputs the mono data from the digital audio data serial interface as the left channel, the right channel, or a mix of the left and right channels as $(L + R) \div 2$ (page 0 / register 63, bits D5–D4). See [Figure 1-1](#) for the signal flow of the DAC blocks.

The audio bus of the TLV320DAC3120 can be configured for left- or right-justified, I²S, DSP, or TDM modes of operation, where communication with standard telephony PCM interfaces is supported within the TDM mode. These modes are all MSB-first, with data width programmable as 16, 20, 24, or 32 bits by configuring page 0 / register 27, bits D5–D4. In addition, the word clock and bit clock can be independently configured in either master or slave mode for flexible connectivity to a wide variety of processors. The word clock is used to define the beginning of a frame, and may be programmed as either a pulse or a square-wave signal. The frequency of this clock corresponds to the maximum of the selected DAC sampling frequencies.

The bit clock is used to clock in and clock out the digital audio data across the serial bus. When in master mode, this signal can be programmed to generate variable clock pulses by controlling the bit-clock divider in page 0 / register 30 (see [Figure 5-16](#)). The number of bit-clock pulses in a frame may need adjustment to accommodate various word lengths as well as to support the case when multiple TLV320DAC3120s may share the same audio bus.

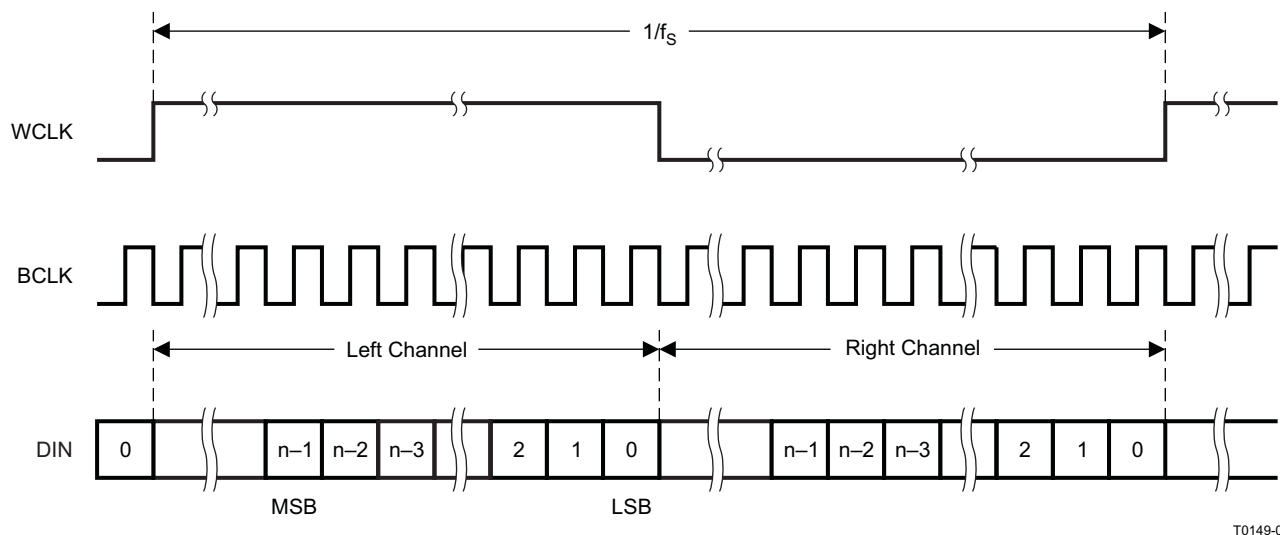
The TLV320DAC3120 also includes a feature to offset the position of start of data transfer with respect to the word clock. This offset can be controlled in terms of number of bit clocks and can be programmed in page 0 / register 28.

The TLV320DAC3120 also has the feature of inverting the polarity of the bit clock used for transferring the audio data as compared to the default clock polarity used. This feature can be used independently of the mode of audio interface chosen. This can be configured via page 0 / register 29, bit D3.

By default, when the word clocks and bit clocks are generated by the TLV320DAC3120, these clocks are active only when the DAC is powered up within the device. This is done to save power. However, it also supports a feature when both the word clocks and bit clocks can be active even when the codec in the device is powered down. This is useful when using the TDM mode with multiple codecs on the same bus, or when word clocks or bit clocks are used in the system as general-purpose clocks.

5.8.1.1 Right-Justified Mode

The audio interface of the TLV320DAC3120 can be put into right-justified mode by programming page 0 / register 27, bits D7–D6 = 10. In right-justified mode, the LSB of the left channel is valid on the rising edge of the bit clock preceding the falling edge of the word clock. Similarly, the LSB of the right channel is valid on the rising edge of the bit clock preceding the rising edge of the word clock.



T0149-05

Figure 5-19. Timing Diagram for Right-Justified Mode

For right-justified mode, the number of bit clocks per frame should be greater than or equal to twice the programmed word length of the data.

5.8.1.2 Left-Justified Mode

The audio interface of the TLV320DAC3120 can be put into left-justified mode by programming page 0 / register 27, bits D7–D6 = 11. In left-justified mode, the MSB of the right channel is valid on the rising edge of the bit clock following the falling edge of the word clock. Similarly, the MSB of the left channel is valid on the rising edge of the bit clock following the rising edge of the word clock.

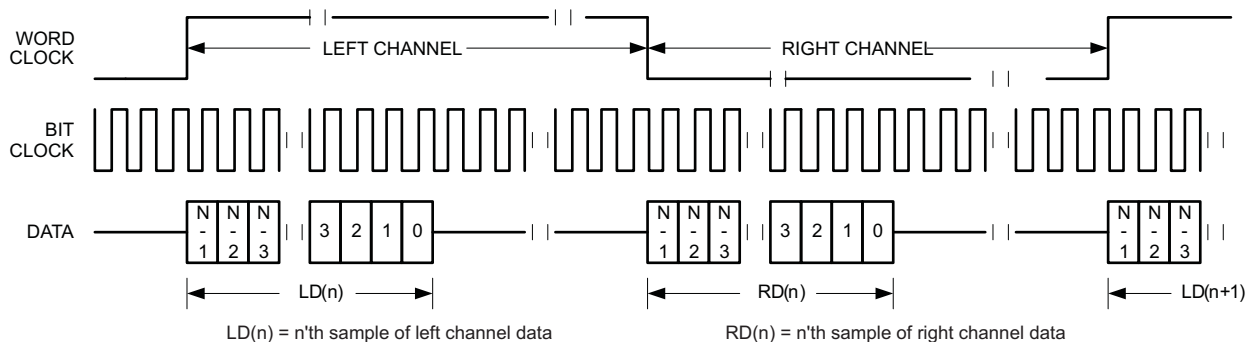


Figure 5-20. Timing Diagram for Left-Justified Mode

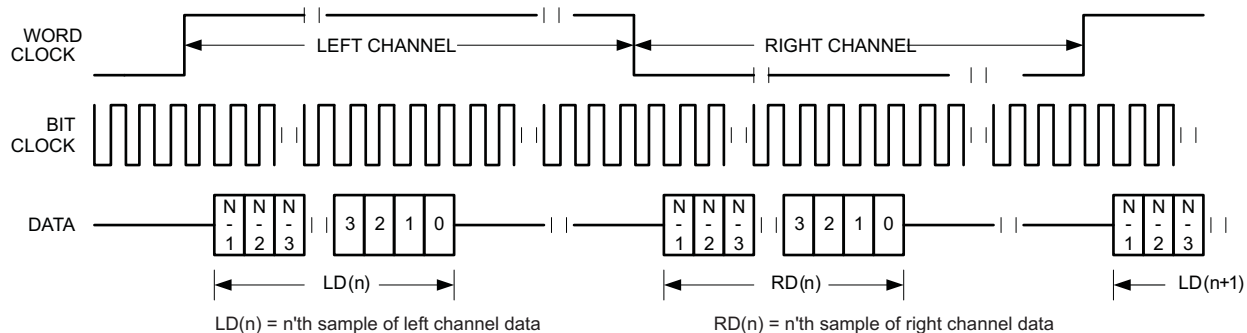


Figure 5-21. Timing Diagram for Left-Justified Mode With Offset = 1

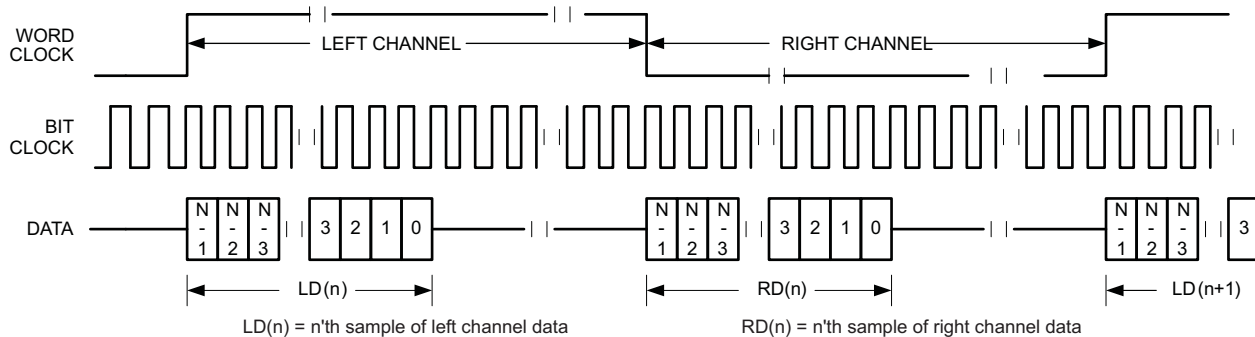


Figure 5-22. Timing Diagram for Left-Justified Mode With Offset = 0 and Inverted Bit Clock

For left-justified mode, the number of bit clocks per frame should be greater than or equal to twice the programmed word length of the data. Also, the programmed offset value should be less than the number of bit clocks per frame by at least the programmed word length of the data.

5.8.1.3 I²S Mode

The audio interface of the TLV320DAC3120 can be put into I²S mode by programming page 0 / register 27, bits D7–D6 = to 00. In I²S mode, the MSB of the left channel is valid on the second rising edge of the bit clock after the falling edge of the word clock. Similarly, the MSB of the right channel is valid on the second rising edge of the bit clock after the rising edge of the word clock.

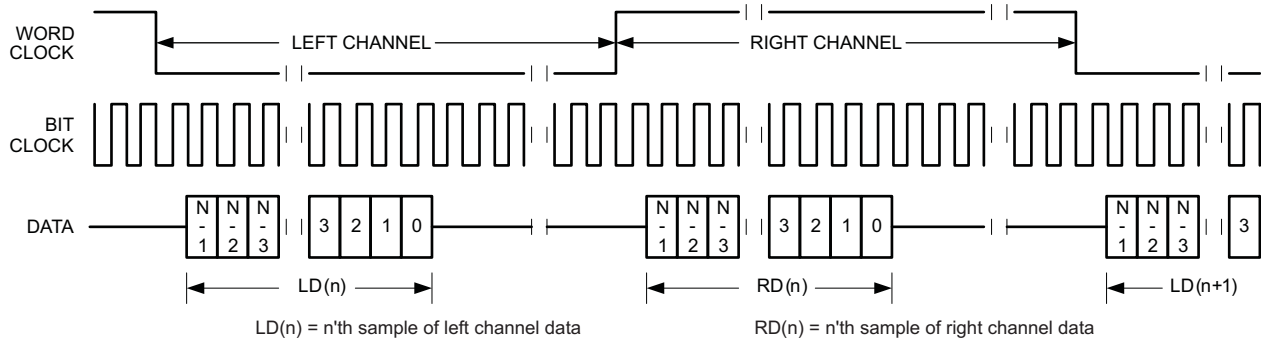


Figure 5-23. Timing Diagram for I²S Mode

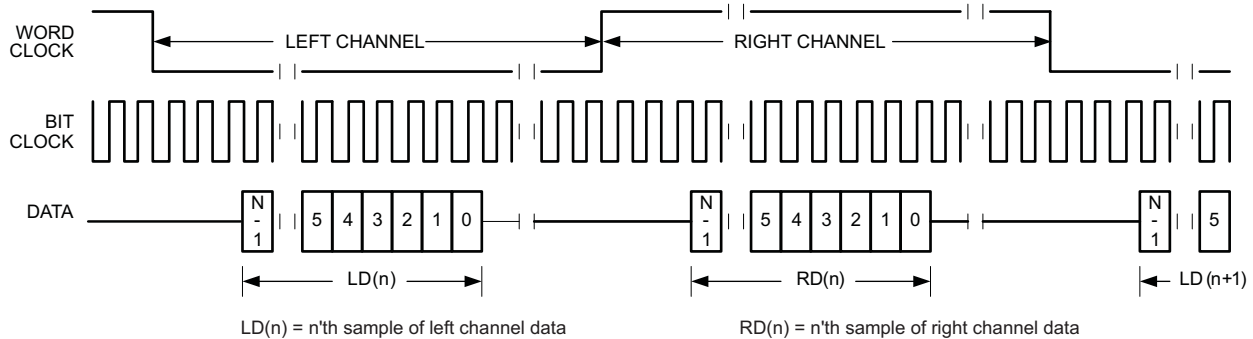


Figure 5-24. Timing Diagram for I²S Mode With Offset = 2

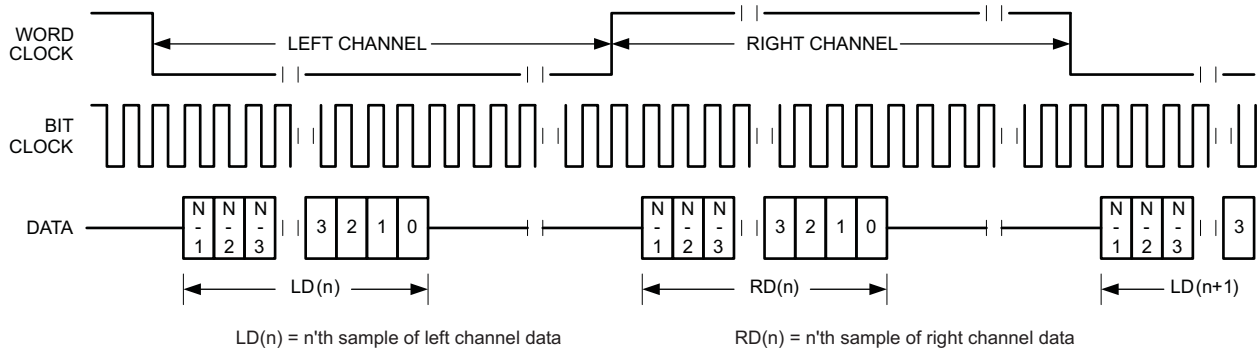


Figure 5-25. Timing Diagram for I²S Mode With Offset = 0 and Bit Clock Inverted

For I²S mode, the number of bit clocks per channel should be greater than or equal to the programmed word length of the data. Also the programmed offset value should be less than the number of bit clocks per frame by at least the programmed word length of the data.

5.8.1.4 DSP Mode

The audio interface of the TLV320DAC3120 can be put into DSP mode by programming page 0 / register 27, bits D7–D6 = 01. In DSP mode, the falling edge of the word clock starts the data transfer with the left-channel data first and immediately followed by the right-channel data. Each data bit is valid on the falling edge of the bit clock.

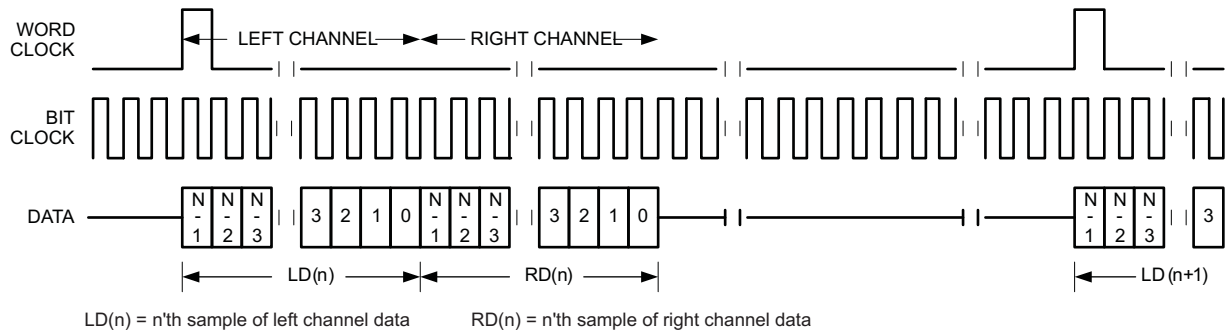


Figure 5-26. Timing Diagram for DSP Mode

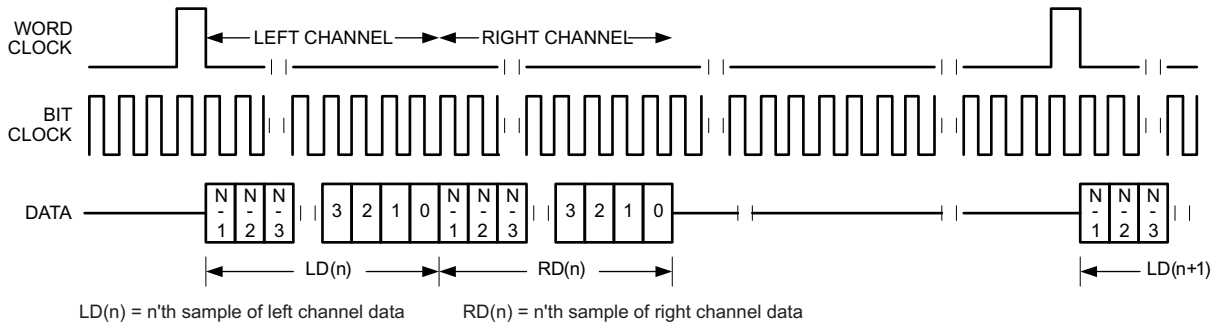


Figure 5-27. Timing Diagram for DSP Mode With Offset = 1

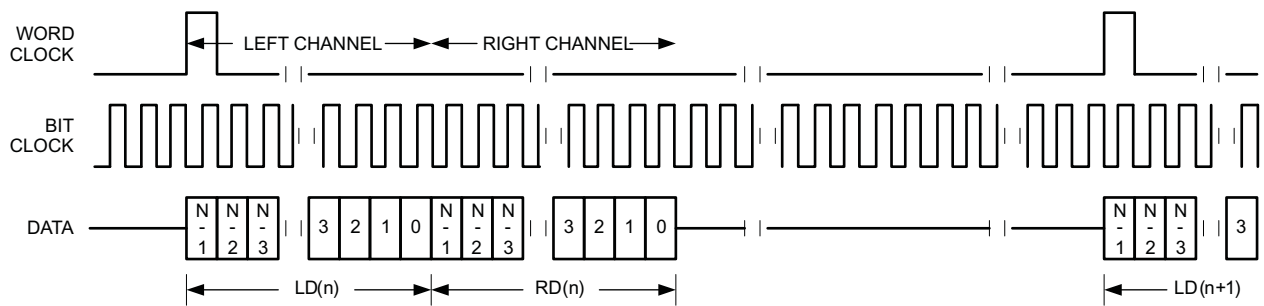


Figure 5-28. Timing Diagram for DSP Mode With Offset = 0 and Bit Clock Inverted

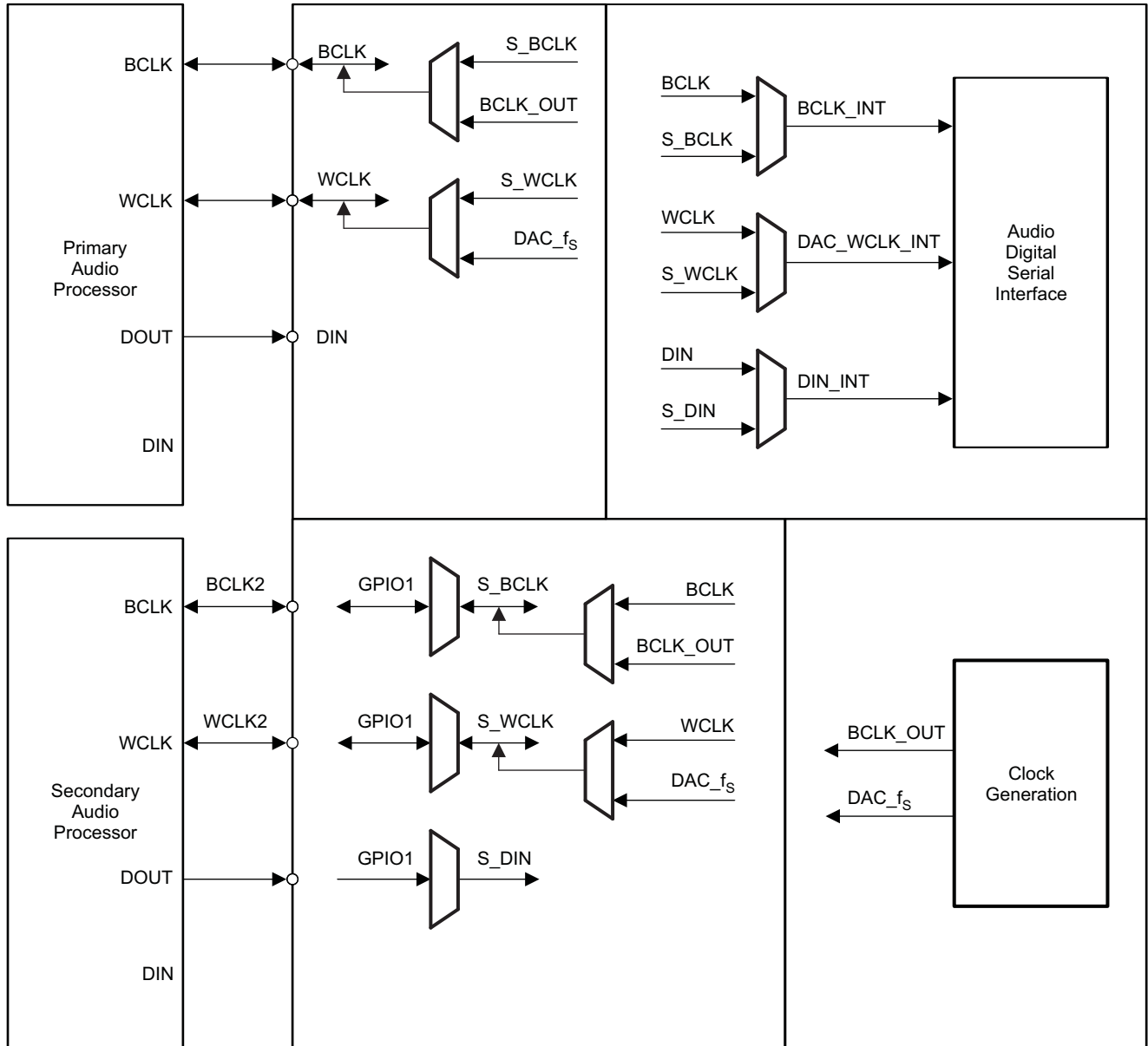
For DSP mode, the number of bit clocks per frame should be greater than or equal to twice the programmed word length of the data. Also, the programmed offset value should be less than the number of bit clocks per frame by at least the programmed word length of the data.

5.8.1.5 Primary and Secondary Digital Audio Interface Selection

The audio serial interface on the TLV320DAC3120 has I/O control to allow communication with two independent processors for audio data. The processors can communicate with the device one at a time. This feature is enabled by register programming of the various pin selections. [Table 5-23](#) shows the primary and secondary audio interface selection and registers. [Figure 5-29](#) is a high-level diagram showing the general signal flow and multiplexing for the primary and secondary audio interfaces. For detailed information, see the tables of register definitions ([Section 6](#)).

Table 5-23. Primary and Secondary Audio Interface Selection

Desired Pin Function	Possible Pins	Page 0 Registers	Comment
Primary WCLK (OUT)	WCLK	R27/D2 = 1	Primary WCLK is output from codec
		R33/D5–D4	Select source of primary WCLK (DAC_fs or secondary WCLK)
Primary WCLK (IN)	WCLK	R27/D2 = 0	Primary WCLK is input to codec
Primary BCLK (OUT)	BCLK	R27/D3 = 1	Primary BCLK is output from codec
		R33/D7	Select source of primary WCLK (internal BCLK or secondary BCLK)
Primary BCLK (IN)	BCLK	R27/D3 = 0	Primary BCLK is input to codec
Primary DIN (IN)	DIN	R32/D0	Select DIN to internal interface (0 = primary DIN; 1 = secondary DIN)
Secondary WCLK (OUT)	GPIO1	R31/D4–D2 = 000	Secondary WCLK obtained from GPIO1 pin
		R51/D5–D2 = 1001	GPIO1 is secondary WCLK output.
		R33/D3–D2	Select source of Secondary WCLK (DAC_fs or primary WCLK)
Secondary WCLK (IN)	GPIO1	R31/D4–D2 = 000	Secondary WCLK obtained from GPIO1 pin
		R51/D5–D2 = 0001	GPIO1 enabled as secondary input
Secondary BCLK (OUT)	GPIO1	R31/D7–D5 = 000	Secondary BCLK obtained from GPIO1 pin
		R51/D5–D2 = 1000	GPIO1 is secondary BCLK output.
		R33/D6	Select source of secondary BCLK (primary BCLK or internal BCLK)
Secondary BCLK (IN)	GPIO1	R31/D7–D5 = 000	Secondary BCLK obtained from GPIO1 pin
		R51/D5–D2 = 0001	GPIO1 enabled as secondary input
Secondary DIN (IN)	GPIO1	R31/D1–D0 = 00	Secondary DIN obtained from GPIO1 pin
		R51/D5–D2 = 0001	GPIO1 enabled as secondary input



B0375-01

Figure 5-29. Audio Serial Interface Multiplexing

5.8.2 Control Interface

The TLV320DAC3120 control interface supports the I²C communication protocol.

5.8.2.1 I²C Control Mode

The TLV320DAC3120 supports the I²C control protocol, and will respond to the I²C address of 0011 000. I²C is a two-wire, open-drain interface supporting multiple devices and masters on a single bus. Devices on the I²C bus only drive the bus lines LOW by connecting them to ground; they never drive the bus lines HIGH. Instead, the bus wires are pulled HIGH by pullup resistors, so the bus wires are HIGH when no device is driving them LOW. This way, two devices cannot conflict; if two devices drive the bus simultaneously, there is no driver contention.

Communication on the I²C bus always takes place between two devices, one acting as the master and the other acting as the slave. Both masters and slaves can read and write, but slaves can only do so under the direction of the master. Some I²C devices can act as masters or slaves, but the TLV320DAC3120 can only act as a slave device.

An I²C bus consists of two lines, SDA and SCL. SDA carries data, and the SCL signal provides the clock. All data is transmitted across the I²C bus in groups of eight bits. To send a bit on the I²C bus, the SDA line is driven to the appropriate level while SCL is LOW (a LOW on SDA indicates the bit is 0, while a HIGH indicates the bit is 1).

Once the SDA line has settled, the SCL line is brought HIGH, then LOW. This pulse on the SCL line clocks the SDA bit into the receiver shift register.

The I²C bus is bidirectional: the SDA line is used both for transmitting and receiving data. When a master reads from a slave, the slave drives the data line; when a master sends to a slave, the master drives the data line.

Most of the time the bus is idle, no communication is taking place, and both lines are HIGH. When communication is taking place, the bus is active. Only master devices can start communication on the bus. Normally, the data line is only allowed to change state while the clock line is LOW. If the data line changes state while the clock line is HIGH, it is either a START condition or its counterpart, a STOP condition. A START condition is when the clock line is HIGH and the data line goes from HIGH to LOW. A STOP condition is when the clock line is HIGH and the data line goes from LOW to HIGH.

After the master issues a START condition, it sends a byte that selects the slave device for communication. This byte is called the address byte. Each device on an I²C bus has a unique 7-bit address to which it responds. (Slaves can also have 10-bit addresses; see the I²C specification for details.) The master sends an address in the address byte, together with a bit that indicates whether it wishes to read from or write to the slave device.

Every byte transmitted on the I²C bus, whether it is address or data, is acknowledged with an acknowledge bit. When a master has finished sending a byte (8 data bits) to a slave, it stops driving SDA and waits for the slave to acknowledge the byte. The slave acknowledges the byte by pulling SDA LOW. The master then sends a clock pulse to clock the acknowledge bit. Similarly, when a master has finished reading a byte, it pulls SDA LOW to acknowledge this to the slave. It then sends a clock pulse to clock the bit. (Remember that the master always drives the clock line.)

A not-acknowledge is performed by simply leaving SDA HIGH during an acknowledge cycle. If a device is not present on the bus, and the master attempts to address it, it will receive a not-acknowledge because no device is present at that address to pull the line LOW.

When a master has finished communicating with a slave, it may issue a STOP condition. When a STOP condition is issued, the bus becomes idle again. A master may also issue another START condition. When a START condition is issued while the bus is active, it is called a repeated START condition.

The TLV320DAC3120 can also respond to and acknowledge a general call, which consists of the master issuing a command with a slave address byte of 00h. This feature is disabled by default, but can be enabled via page 0 / register 34, bit D5.

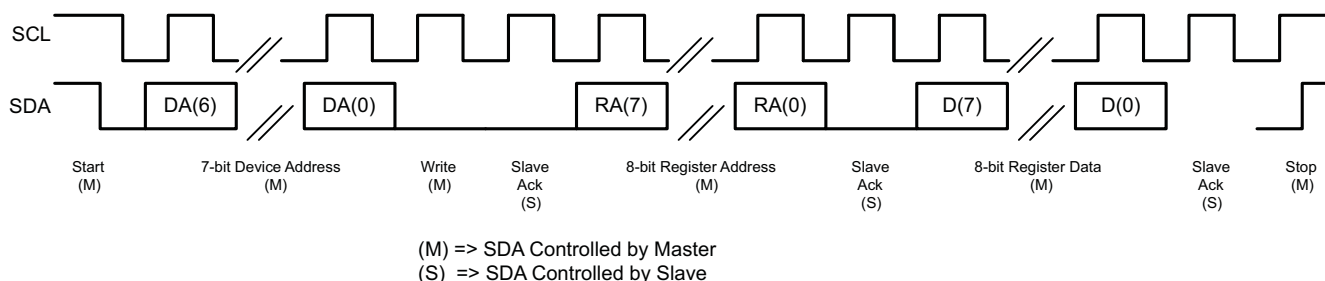


Figure 5-30. I²C Write

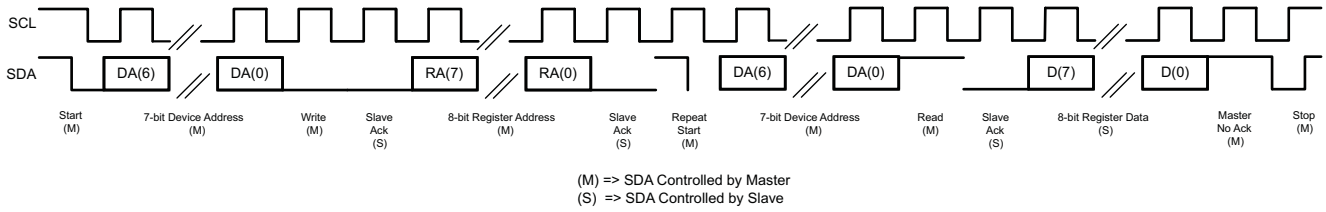


Figure 5-31. I²C Read

In the case of an I²C register write, if the master does not issue a STOP condition, then the device enters auto-increment mode. So in the next eight clocks, the data on SDA is treated as data for the next incremental register.

Similarly, in the case of an I²C register read, after the device has sent out the 8-bit data from the addressed register, if the master issues a ACKNOWLEDGE, the slave takes over control of SDA bus and transmit for the next 8 clocks the data of the next incremental register.

6 REGISTER MAP

6.1 TLV320DAC3120 Register Map

All features on this device are addressed using the I²C bus. All of the writable registers can be read back. However, some registers contain status information or data, and are available for reading only.

The TLV320DAC3120 contains several pages of 8-bit registers, and each page can contain up to 128 registers. The register pages are divided up based on functional blocks for this device. Page 0 is the default home page after RESET. Page control is done by writing a new page value into register 0 of the current page.

The control registers for the TLV320DAC3120 are described in detail as follows. All registers are 8 bits in width, with D7 referring to the most-significant bit of each register, and D0 referring to the least-significant bit.

Pages 0, 1, 3, 8–11, 12–15, and 64–95 are available for use; however, all other pages and registers are reserved. Do not read from or write to reserved pages and registers. Also, do not write other than the reset values for the reserved bits and read-only bits of non-reserved registers; otherwise, device functionality failure can occur.

Table 6-1. Summary of Register Map

Page Number	Description
0	Page 0 is the default page on power up. Configuration for serial interface, digital I/O, clocking, DAC settings, etc.
1	Configuration for analog DAC, output drivers, volume controls, etc.
3	Register 16 controls the MCLK divider that controls the interrupt pulse duration, debounce timing, and detection block clock.
8–11	DAC buffer-A filter and DRC coefficients, miniDSP general-purpose buffer-A coefficients
12–15	DAC buffer-B filter and DRC coefficients, miniDSP general-purpose buffer B-coefficients
64–95	DAC instruction RAM locations

6.2 Control Registers, Page 0 (Default Page): Clock Multipliers, Dividers, Serial Interfaces, Flags, Interrupts, and GPIOs

Page 0 / Register 0: Page Control Register

BIT	READ/ WRITE	RESET VALUE	DESCRIPTION
D7–D0	R/W	0000 0000	0000 0000: Page 0 selected 0000 0001: Page 1 selected ... 1111 1110: Page 254 selected 1111 1111: Page 255 selected

Page 0 / Register 1: Software Reset

BIT	READ/ WRITE	RESET VALUE	DESCRIPTION
D7–D1	R/W	0000 000	Reserved. Write only zeros to these bits.
D0	R/W	0	0: Don't care 1: Self-clearing software reset for control register

Page 0 / Register 2: Reserved

BIT	READ/ WRITE	RESET VALUE	DESCRIPTION
D7–D0	R	XXXX XXXX	Reserved. Do not write to this register.

Page 0 / Register 3: OT FLAG

BIT	READ/ WRITE	RESET VALUE	DESCRIPTION
D7-D2	R	XXXX XX	Reserved. Do not write to these bits.
D1	R	1	0: Overtemperature protection flag (active-low). Valid only if speaker amplifier is powered up 1: Normal operation
D0	R/W	X	Reserved. Do not write to these bits.

Page 0 / Register 4: Clock-Gen Muxing⁽¹⁾

BIT	READ/ WRITE	RESET VALUE	DESCRIPTION
D7–D4	R/W	0000	Reserved. Write only zeros to these bits.
D3–D2	R/W	00	00: PLL_CLKIN = MCLK (device pin) 01: PLL_CLKIN = BCLK (device pin) 10: PLL_CLKIN = GPIO1 (device pin) 11: PLL_CLKIN = DIN (can be used for the system where DAC is not used)
D1–D0	R/W	00	00: CODEC_CLKIN = MCLK (device pin) 01: CODEC_CLKIN = BCLK (device pin) 10: CODEC_CLKIN = GPIO1 (device pin) 11: CODEC_CLKIN = PLL_CLK (generated on-chip)

(1) See [Section 5.7](#) for more details on clock generation multiplexing and dividers.

Page 0 / Register 5: PLL P and R-VAL

BIT	READ/ WRITE	RESET VALUE	DESCRIPTION
D7	R/W	0	0: PLL is powered down. 1: PLL is powered up.
D6–D4	R/W	001	000: PLL divider P = 8 001: PLL divider P = 1 010: PLL divider P = 2 ... 110: PLL divider P = 6 111: PLL divider P = 7
D3–D0	R/W	0001	0000: PLL multiplier R = 16 0001: PLL multiplier R = 1 0010: PLL multiplier R = 2 ... 1110: PLL multiplier R = 14 1111: PLL multiplier R = 15

Page 0 / Register 6: PLL J-VAL

BIT	READ/ WRITE	RESET VALUE	DESCRIPTION
D7–D6	R/W	00	Reserved. Write only zeros to these bits.
D5–D0	R/W	00 0100	00 0000: Do not use (reserved) 00 0001: PLL multiplier J = 1 00 0010: PLL multiplier J = 2 ... 11 1110: PLL multiplier J = 62 11 1111: PLL multiplier J = 63

Table 6-2. Page 0 / Register 7: PLL D-VAL MSB⁽¹⁾

BIT	READ/ WRITE	RESET VALUE	DESCRIPTION
D7–D6	R/W	00	Reserved. Write only zeros to these bits.
D5–D0	R/W	00 0000	PLL fractional multiplier D-Val MSB bits D[13:8]

(1) Note that this register will be updated only when page 0 / Register 8 is written immediately after page 0 / Register 7.

Page 0 / Register 8: PLL D-VAL LSB⁽¹⁾

BIT	READ/ WRITE	RESET VALUE	DESCRIPTION
D7–D0	R/W	0000 0000	PLL fractional multiplier D-Val LSB bits D[7:0]

(1) Note that page 0 / Register 8 must be written immediately after page 0 / Register 7.

Page 0 / Registers 9–10: Reserved

BIT	READ/ WRITE	RESET VALUE	DESCRIPTION
D7–D0	R/W	XXXX XXXX	Reserved. Write only zeros to these bits.

Page 0 / Register 11: DAC NDAC_VAL

BIT	READ/ WRITE	RESET VALUE	DESCRIPTION
D7	R/W	0	0: DAC NDAC divider is powered down. 1: DAC NDAC divider is powered up.
D6–D0	R/W	000 0001	000 0000: DAC NDAC divider = 128 000 0001: DAC NDAC divider = 1 000 0010: DAC NDAC divider = 2 ... 111 1110: DAC NDAC divider = 126 111 1111: DAC NDAC divider = 127

Page 0 / Register 12: DAC MDAC_VAL

BIT	READ/ WRITE	RESET VALUE	DESCRIPTION
D7	R/W	0	0: DAC MDAC divider is powered down. 1: DAC MDAC divider is powered up.
D6–D0	R/W	000 0001	000 0000: DAC MDAC divider = 128 000 0001: DAC MDAC divider = 1 000 0010: DAC MDAC divider = 2 ... 111 1110: DAC MDAC divider = 126 111 1111: DAC MDAC divider = 127

Page 0 / Register 13: DAC DOSR_VAL MSB

BIT	READ/ WRITE	RESET VALUE	DESCRIPTION
D7–D2	R/W	0000 00	Reserved
D1–D0	R/W	00	DAC OSR value DOSR(9:8)

Page 0 / Register 14: DAC DOSR_VAL LSB^{(1) (2)}

BIT	READ/ WRITE	RESET VALUE	DESCRIPTION
D7–D0	R/W	1000 0000	DAC OSR Value DOSR(7:0) 0000 0000: DAC OSR(7:0) = 1024 (MSB page 0 / register 13, bits D1–D0 = 00) 0000 0001: DAC OSR(7:0) = 1 (MSB page 0 / register 13, bits D1–D0 = 00) 0000 0010: DAC OSR(7:0) = 2 (MSB page 0 / register 13, bits D1–D0 = 00) ... 1111 1110: DAC OSR(7:0) = 1022 (MSB page 0 / register 13, bits D1–D0 = 11) 1111 1111: DAC OSR(7:0) = 1023 (MSB page 0 / register 13, bits D1–D0 = 11)

(1) DAC OSR should be an integral multiple of the interpolation in the DAC miniDSP engine (specified in register 16).

(2) Note that page 0 / register 14 must be written to immediately after writing to page 0 / register 13.

Page 0 / Register 15: DAC IDAC_VAL⁽¹⁾

BIT	READ/ WRITE	RESET VALUE	DESCRIPTION
D7–D0	R/W	1000 0000	0000 0000: Number of instruction for DAC miniDSP engine, IDAC = 1024 0000 0001: Number of instruction for DAC miniDSP engine, IDAC = 4 0000 0010: Number of instruction for DAC miniDSP engine, IDAC = 8 ... 1111 1101: Number of instruction for DAC miniDSP engine, IDAC = 1012 1111 1110: Number of instruction for DAC miniDSP engine, IDAC = 1016 1111 1111: Number of instruction for DAC miniDSP engine, IDAC = 1020

(1) IDAC should be an integral multiple of the interpolation in the DAC miniDSP engine (specified in register 16).

Page 0 / Register 16: DAC miniDSP Engine Interpolation

BIT	READ/ WRITE	RESET VALUE	DESCRIPTION
D7–D4	R/W	0000	Reserved. Do not write to these registers.
D3–D0	R/W	1000	0000: Interpolation ratio in DAC miniDSP engine = 16 0001: Interpolation ratio in DAC miniDSP engine = 1 0010: Interpolation ratio in DAC miniDSP engine = 2 ... 1101: Interpolation ratio in DAC miniDSP engine = 13 1110: Interpolation ratio in DAC miniDSP engine = 14 1111: Interpolation ratio in DAC miniDSP engine = 15

Page 0 / Registers 17–24: Reserved

BIT	READ/ WRITE	RESET VALUE	DESCRIPTION
D7–D0	R/W	XXXX XXXX	Reserved. Do not write to these registers.

Page 0 / Registers 25: CLKOUT MUX

BIT	READ/ WRITE	RESET VALUE	DESCRIPTION
D7–D3	R/W	0000 0	Reserved
D2–D0	R/W	000	000: CDIV_CLKIN = MCLK (device pin) 001: CDIV_CLKIN = BCLK (device pin) 010: CDIV_CLKIN = DIN (can be used for the systems where DAC is not required) 011: CDIV_CLKIN = PLL_CLK (generated on-chip) 100: CDIV_CLKIN = DAC_CLK (DAC DSP clock - generated on-chip) 101: CDIV_CLKIN = DAC_MOD_CLK (generated on-chip) 110: Reserved 111: Reserved

Page 0 / Registers 26: CLKOUT M_VAL

BIT	READ/ WRITE	RESET VALUE	DESCRIPTION
D7	R/W	0	0: CLKOUT M divider is powered down. 1: CLKOUT M divider is powered up.
D6–D0	R/W	000 0001	000 0000: CLKOUT divider M = 128 000 0001: CLKOUT divider M = 1 000 0010: CLKOUT divider M = 2 ... 111 1110: CLKOUT divider M = 126 111 1111: CLKOUT divider M = 127

Page 0 / Register 27: Codec Interface Control

BIT	READ/ WRITE	RESET VALUE	DESCRIPTION
D7–D6	R/W	00	00: Codec interface = I ² S 01: Codec Interface = DSP 10: Codec interface = RJF 11: Codec interface = LJF
D5–D4	R/W	00	00: Codec interface word length = 16 bits 01: Codec interface word length = 20 bits 10: Codec interface word length = 24 bits 11: Codec interface word length = 32 bits
D3	R/W	0	0: BCLK is input. 1: BCLK is output.
D2	R/W	0	0: WCLK is input. 1: WCLK is output.
D1	R/W	0	Reserved
D0	R/W	0	Reserved

Page 0 / Register 28: Data-Slot Offset Programmability

BIT	READ/ WRITE	RESET VALUE	DESCRIPTION
D7–D0	R/W	0000 0000	Offset (Measured With Respect to WCLK Rising Edge in DSP Mode) 0000 0000: Offset = 0 BCLKs 0000 0001: Offset = 1 BCLK 0000 0010: Offset = 2 BCLKs ... 1111 1110: Offset = 254 BCLKs 1111 1111: Offset = 255 BCLKs

Page 0 / Register 29: Codec Interface Control 2

BIT	READ/ WRITE	RESET VALUE	DESCRIPTION
D7–D6	R/W	00	Reserved
D5	R/W	0	Reserved
D4	R/W	0	Reserved
D3	R/W	0	0: BCLK is not inverted (valid for both primary and secondary BCLK). 1: BCLK is inverted (valid for both primary and secondary BCLK).
D2	R/W	0	BCLK and WCLK Active Even With Codec Powered Down (Valid for Both Primary and Secondary BCLK) 0: Disabled 1: Enabled
D1–D0	R/W	00	00: BDIV_CLKIN = DAC_CLK (DAC DSP clock - generated on-chip) 01: BDIV_CLKIN = DAC_MOD_CLK (generated on-chip) 10: Reserved 11: Reserved

Page 0 / Register 30: BCLK N_VAL

BIT	READ/ WRITE	RESET VALUE	DESCRIPTION
D7	R/W	0	0: BCLK N-divider is powered down. 1: BCLK N-divider is powered up.
D6–D0	R/W	000 0001	000 0000: BCLK divider N = 128 000 0001: BCLK divider N = 1 000 0010: BCLK divider N = 2 ... 111 1110: BCLK divider N = 126 111 1111: BCLK divider N = 127

Page 0 / Register 31: Codec Secondary Interface Control 1

BIT	READ/ WRITE	RESET VALUE	DESCRIPTION
D7–D5	R/W	000	000: Secondary BCLK is obtained from GPIO1 pin. 001–111: Reserved.
D4–D2	R/W	000	000: Secondary WCLK is obtained from GPIO1 pin. 001–111: Reserved.
D1–D0	R/W	00	00: Secondary DIN is obtained from the GPIO1 pin. 01–11: Reserved.10: Reserved.

Page 0 / Register 32: Codec Secondary Interface Control 2

BIT	READ/ WRITE	RESET VALUE	DESCRIPTION
D7–D4	R/W	0000	Reserved
D3	R/W	0	0: Primary BCLK is fed to codec serial-interface and ClockGen blocks. 1: Secondary BCLK is fed to codec serial-interface and ClockGen blocks.
D2	R/W	0	0: Primary WCLK is fed to codec serial-interface block. 1: Secondary WCLK is fed to codec serial-interface block.
D1	R/W	0	Reserved
D0	R/W	0	0: Primary DIN is fed to codec serial-interface block. 1: Secondary DIN is fed to codec serial-interface block.

Page 0 / Register 33: Codec Secondary Interface Control 3

BIT	READ/ WRITE	RESET VALUE	DESCRIPTION
D7	R/W	0	0: Primary BCLK output = internally generated BCLK clock 1: Primary BCLK output = secondary BCLK
D6	R/W	0	0: Secondary BCLK output = primary BCLK 1: Secondary BCLK output = internally generated BCLK clock
D5–D4	R/W	00	00: Primary WCLK output = internally generated DAC _{f_S} 01: Reserved 10: Primary WCLK output = secondary WCLK 11: Reserved
D3–D2	R/W	00	00: Secondary WCLK output = primary WCLK 01: Secondary WCLK output = internally generated DAC _{f_S} clock 10: Reserved 11: Reserved
D1	R/W	0	Reserved
D0	R/W	0	Reserved

Page 0 / Register 34: I²C Bus Condition

BIT	READ/ WRITE	RESET VALUE	DESCRIPTION
D7–D6	R/W	00	Reserved. Write only the reset value to these bits.
D5	R/W	0	0: I ² C general-call address is ignored. 1: Device accepts I ² C general-call address.
D4–D0	R/W	0 0000	Reserved. Write only zeros to these bits.

Page 0 / Register 35 Through Page 0 / Register 36: Reserved

BIT	READ/ WRITE	RESET VALUE	DESCRIPTION
D7–	R	XXXX XXXX	Reserved. Write only zeros to these bits.

Page 0 / Register 37: DAC Flag Register

BIT	READ/ WRITE	RESET VALUE	DESCRIPTION
D7	R	0	0: DAC powered down 1: DAC powered up
D6	R/W	X	Reserved. Write only zero to this bit.
D5	R	0	0: HPOUT driver powered down 1: HPOUT driver powered up
D4	R	0	0: Class-D driver powered down 1: Class-D driver powered up
D3	R	0	Reserved.
D2	R/W	X	Reserved. Write only zero to this bit.
D1	R	0	Reserved.
D0	R	0	Reserved.

Page 0 / Register 38: DAC Flag Register

BIT	READ/ WRITE	RESET VALUE	DESCRIPTION
D7–D5	R/W	XXX	Reserved. Do not write to these bits.
D4	R	0	0: DAC PGA applied gain ≠ programmed gain 1: DAC PGA applied gain = programmed gain
D3–D1	R/W	XXX	Reserved. Write only zeros to these bits.
D0	R	0	Reserved.

Page 0 / Register 39: Overflow Flags

BIT	READ/ WRITE	RESET VALUE	DESCRIPTION
D7 ⁽¹⁾	R	0	DAC Overflow Flag 0: Overflow has not occurred. 1: Overflow has occurred.
D6 ⁽¹⁾	R	0	Reserved.
D5 ⁽¹⁾	R	0	DAC Barrel Shifter Output Overflow Flag 0: Overflow has not occurred. 1: Overflow has occurred.
D4	R/W	0	Reserved. Write only zeros to these bits.
D3	R	0	Reserved. Write only zeros to these bits.
D2	R/W	0	Reserved. Write only zero to this bit.
D1	R	0	Reserved. Write only zeros to these bits.
D0	R/W	0	Reserved. Write only zero to this bit.

(1) Sticky flag blts. These are read-only bits. They are automatically cleared once they are read and are set only if the source trigger occurs again.

Page 0 / Registers 40–43: Reserved

BIT	READ/ WRITE	RESET VALUE	DESCRIPTION
D7–D0	R/W	XXXX XXXX	Reserved. Write only the reset value to these bits.

Page 0 / Register 44: Interrupt Flags—DAC

BIT	READ/ WRITE	RESET VALUE	DESCRIPTION
D7 ⁽¹⁾	R	0	0: No short circuit is detected at HPOUT / class-D driver. 1: Short circuit is detected at HPOUT / class-D driver.
D6 ⁽¹⁾	R	0	Reserved
D5 ⁽¹⁾	R	X	0: No headset button pressed 1: Headset button pressed
D4 ⁽¹⁾	R	X	0: No headset insertion/removal is detected. 1: Headset insertion/removal is detected.
D3 ⁽¹⁾	R	0	0: DAC signal power is less than or equal to the signal threshold of DRC. 1: DAC signal power is above the signal threshold of DRC.
D2 ⁽¹⁾	R	0	Reserved.
D1 ⁽¹⁾	R	0	DAC miniDSP Engine Standard Interrupt-Port Output 0: Read a 0 from Standard Interrupt-Port 1: Read a 1 from Standard Interrupt-Port
D0 ⁽¹⁾	R	0	DAC miniDSP Engine Auxiliary Interrupt-Port Output 0: Read a 0 from Auxiliary Interrupt-Port 1: Read a 1 from Auxiliary Interrupt-Port

(1) Sticky flag bits. These are read-only bits. They are automatically cleared once they are read and are set only if the source trigger occurs again.

Page 0 / Register 45: Reserved

BIT	READ/ WRITE	RESET VALUE	DESCRIPTION
D7–D0	R/W	XXXX XXXX	Reserved. Write only the reset value to these bits.

Page 0 / Register 46: Interrupt Flags – DAC

BIT	READ/ WRITE	RESET VALUE	DESCRIPTION
D7	R	0	0: No short circuit detected at HPOUT / class-D driver 1: Short circuit detected at HPOUT / class-D driver
D6	R	0	Reserved
D5	R	X	0: No headset button pressed 1: Headset button pressed
D4	R	X	0: Headset removal detected 1: Headset insertion detected
D3	R	0	0: DAC signal power is below signal threshold of DRC. 1: DAC signal power is above signal threshold of DRC.
D2	R	0	Reserved.
D1	R	0	DAC miniDSP Engine Standard Interrupt Port Output 0: Read a 0 from Standard Interrupt-Port 1: Read a 1 from Standard Interrupt-Port
D0	R	0	DAC miniDSP Engine Auxiliary Interrupt Port Output 0: Read a 0 from Auxiliary Interrupt-Port 1: Read a 1 from Auxiliary Interrupt-Port

Page 0 / Register 47: Reserved

BIT	READ/ WRITE	RESET VALUE	DESCRIPTION
D7–D0	R/W	XXXX XXXX	Reserved. Write only the reset value to these bits.

Page 0 / Register 48: INT1 Control Register

BIT	READ/ WRITE	RESET VALUE	DESCRIPTION
D7	R/W	0	0: Headset-insertion detect interrupt is not used in the generation of INT1 interrupt. 1: Headset-insertion detect interrupt is used in the generation of INT1 interrupt.
D6	R/W	0	0: Button-press detect interrupt is not used in the generation of INT1 interrupt. 1: Button-press detect interrupt is used in the generation of INT1 interrupt.
D5	R/W	0	0: DAC DRC signal-power interrupt is not used in the generation of INT1 interrupt. 1: DAC DRC signal-power interrupt is used in the generation of INT1 interrupt.
D4	R/W	0	Reserved
D3	R/W	0	0: Short-circuit interrupt is not used in the generation of INT1 interrupt. 1: Short-circuit interrupt is used in the generation of INT1 interrupt.
D2	R/W	0	0: Engine-generated interrupt is not used in the generation of INT1 interrupt. 1: Engine-generated interrupt is used in the generation of INT1 interrupt.
D1	R/W	0	Reserved
D0	R/W	0	0: INT1 is only one pulse (active-high) of typical 2-ms duration. 1: INT1 is multiple pulses (active-high) of typical 2-ms duration and 4-ms period, until flag registers 44 and 45 are read by the user.

Page 0 / Register 49: INT2 Control Register

BIT	READ/ WRITE	RESET VALUE	DESCRIPTION
D7	R/W	0	0: Headset-insertion detect interrupt is not used in the generation of INT2 interrupt. 1: Headset-insertion detect interrupt is used in the generation of INT2 interrupt.
D6	R/W	0	0: Button-press detect interrupt is not used in the generation of INT2 interrupt. 1: Button-press detect interrupt is used in the generation of INT2 interrupt.
D5	R/W	0	0: DAC DRC signal-power interrupt is not used in the generation of INT2 interrupt. 1: DAC DRC signal-power interrupt is used in the generation of INT2 interrupt.
D4	R/W	0	Reserved
D3	R/W	0	0: Short-circuit interrupt is not used in the generation of INT2 interrupt. 1: Short-circuit interrupt is used in the generation of INT2 interrupt.
D2	R/W	0	0: Engine-generated interrupt is not used in the generation of INT2 interrupt. 1: Engine-generated interrupt is used in the generation of INT2 interrupt.
D1	R/W	0	Reserved
D0	R/W	0	0: INT2 is only one pulse (active-high) of typical 2-ms duration. 1: INT2 is multiple pulses (active-high) of typical 2-ms duration and 4-ms period, until flag registers 44 and 45 are read by the user.

Page 0 / Register 50: Reserved

BIT	READ/ WRITE	RESET VALUE	DESCRIPTION
D7-D0	R/W	0000 0000	Reserved. Write only reset values.

Page 0 / Register 51: GPIO1 In/Out Pin Control

BIT	READ/ WRITE	RESET VALUE	DESCRIPTION
D7–D6	R/W	XX	Reserved. Do not write any value other than reset value.
D5–D2	R/W	0000	0000: GPIO1 disabled (input and output buffers powered down) 0001: GPIO1 is in input mode (can be used as secondary BCLK input, secondary WCLK input, secondary DIN input, input or in ClockGen block). 0010: GPIO1 is used as general-purpose input (GPI). 0011: GPIO1 output = general-purpose output 0100: GPIO1 output = CLKOUT output 0101: GPIO1 output = INT1 output 0110: GPIO1 output = INT2 output 0111: Reserved 1000: GPIO1 output = secondary BCLK output for codec interface 1001: GPIO1 output = secondary WCLK output for codec interface 1010: Reserved 1011: Reserved 1100: Reserved 1101: Reserved 1110: Reserved 1111: Reserved
D1	R	X	GPIO1 input buffer value
D0	R/W	0	0: GPIO1 general-purpose output value = 0 1: GPIO1 general-purpose output value = 1

Page 0 / Register 52: Reserved

BIT	READ/ WRITE	RESET VALUE	DESCRIPTION
D7–D0	R/W	XX	Reserved. Do not write any value other than reset value.

Page 0 / Register 53: Reserved

BIT	READ/ WRITE	RESET VALUE	DESCRIPTION
D7–D0	R/W	0000 1001	Reserved

Page 0 / Register 54: DIN (IN Pin) Control

BIT	READ/ WRITE	RESET VALUE	DESCRIPTION
D7–D3	R/W	0000 0	Reserved
D2–D1	R/W	01	00: DIN disabled (input buffer powered down) 01: DIN enabled (can be used as DIN for codec interface or in ClockGen block) 10: DIN is used as general-purpose input (GPI) 11: Reserved
D0	R	X	DIN input-buffer value

Page 0 / Register 55 Through Page 0 / Register 58: Reserved

BIT	READ/ WRITE	RESET VALUE	DESCRIPTION
D7–D0	R/W	0000 0000	Reserved

Page 0 / Register 59: Reserved

BIT	READ/ WRITE	RESET VALUE	DESCRIPTION
D7–D0	R/W	XXXX XXXX	Reserved. Write only zeros to these bits.

Page 0 / Register 60: DAC Instruction Set

BIT	READ/ WRITE	RESET VALUE	DESCRIPTION
D7–D5	R/W	000	Reserved. Write only default value.
D4–D0	R/W	0 0001	0 0000: DAC miniDSP is used for signal processing. 0 0001–0 0011: Reserved. Do not use 0 0100: DAC signal-processing block PRB_P4 0 0101: DAC signal-processing block PRB_P5 0 0110: DAC signal-processing block PRB_P6 0 0111–0 1011: Reserved. Do not use 0 1100: DAC signal-processing block PRB_P12 0 1101: DAC signal-processing block PRB_P13 0 1110: DAC signal-processing block PRB_P14 0 1111: DAC signal-processing block PRB_P15 1 0000: DAC signal-processing block PRB_P16 1 0001–1 0011: Reserved. Do not use. 1 0100: DAC signal-processing block PRB_P20 1 0101: DAC signal-processing block PRB_P21 1 0110: DAC signal-processing block PRB_P22 1 0111–1 1111: Reserved. Do not use.

Page 0 / Register 61:Reserved

BIT	READ/ WRITE	RESET VALUE	DESCRIPTION
D7–D0	R/W	0000 1000	Reserved. Write only default values.

Page 0 / Register 62: Programmable Instruction Mode-Control Bits

BIT	READ/ WRITE	RESET VALUE	DESCRIPTION
D7	R/W	0	Reserved
D6	R/W	0	Reserved
D5	R/W	0	Reserved
D4	R/W	0	Reserved
D3	R/W	0	Reserved
D2	R/W	0	DAC miniDSP engine auxiliary control bit A, which can be used for conditional instructions like JMP
D1	R/W	0	DAC miniDSP engine auxiliary control bit B, which can be used for conditional instructions like JMP
D0	R/W	0	0: Reset DAC miniDSP instruction counter at the start of the new frame. 1: Do not reset DAC miniDSP instruction counter at the start of the new frame.

Page 0 / Register 63: DAC Data-Path Setup

BIT	READ/ WRITE	RESET VALUE	DESCRIPTION
D7	R/W	0	0: DAC is powered down. 1: DAC is powered up.
D6	R/W	0	Reserved.
D5–D4	R/W	01	00: DAC data path = off 01: DAC data path = left data 10: DAC data path = right data 11: DAC data path = left and right data ((L + R)/2)
D3–D2	R/W	01	Reserved.
D1–D0	R/W	00	00: DAC channel volume control soft-stepping is enabled for one step per sample period. 01: DAC channel volume control soft-stepping is enabled for one step per two sample periods. 10: DAC channel volume control soft-stepping is disabled. 11: Reserved. Do not write this sequence to these bits.

Page 0 / Register 64: DAC VOLUME CONTROL

BIT	READ/ WRITE	RESET VALUE	DESCRIPTION
D7–D4	R/W	0000	Reserved. Write only zeros to these bits.
D3	R/W	1	0: DAC not muted 1: DAC muted
D2	R/W	1	Reserved.
D1–D0	R/W	00	Reserved. Always write reset value.

Page 0 / Register 65: DAC Volume Control

BIT	READ/ WRITE	RESET VALUE	DESCRIPTION
D7–D0	R/W	0000 0000	127 to 49: Reserved. Do not write these sequences to these bits. 48: DAC Digital gain = 24 dB 47: DAC Digital gain = 23.5 dB 46: DAC Digital gain = 23 dB ... 36: DAC Digital gain = 18 dB 35: DAC Digital gain = 17.5 dB 34: DAC Digital gain = 17 dB ... 1: DAC Digital gain = 0.5 dB 0: DAC Digital gain = 0 dB –1: DAC Digital gain = –0.5 dB ... –126: DAC Digital gain = –63 dB –127: DAC Digital gain = –63.5 dB –128: Reserved

Page 0 / Register 66: Reserved

BIT	READ/ WRITE	RESET VALUE	DESCRIPTION
D7–D0	R/W	0000 0000	Reserved. write only reset values.

Page 0 / Register 67: Headset Detection

BIT	READ/ WRITE	RESET VALUE	DESCRIPTION
D7	R/W	0	0: Headset detection disabled 1: Headset detection enabled
D6–D5	R	XX	00: No headset detected 01: Headset without microphone is detected 10: Reserved 11: Headset with microphone is detected
D4–D2	R/W	000	Debounce Programming for Glitch Rejection During Headset Detection ⁽¹⁾ 000: 16 ms (sampled with 2-ms clock) 001: 32 ms (sampled with 4-ms clock) 010: 64 ms (sampled with 8-ms clock) 011: 128 ms (sampled with 16-ms clock) 100: 256 ms (sampled with 32-ms clock) 101: 512 ms (sampled with 64-ms clock) 110: Reserved 111: Reserved
D1–D0	R/W	00	Debounce Programming for Glitch Rejection During Headset Button-Press Detection 00: 0 ms 01: 8 ms (sampled with 1-ms clock) 10: 16 ms (sampled with 2-ms clock) 11: 32 ms (sampled with 4-ms clock)

(1) Note that these times are generated using the 1 MHz reference clock which is defined in page 3 / register 16.

Page 0 / Register 68: DRC Control 1

BIT	READ/ WRITE	RESET VALUE	DESCRIPTION
D7	R/W	0	Reserved. Write only the reset value to these bits.
D6	R/W	0	0: DRC disabled 1: DRC enabled
D5	R/W	0	Reserved. Write only reset value.
D4–D2	R/W	011	000: DRC threshold = –3 dB 001: DRC threshold = –6 dB 010: DRC threshold = –9 dB 011: DRC threshold = –12 dB 100: DRC threshold = –15 dB 101: DRC threshold = –18 dB 110: DRC threshold = –21 dB 111: DRC threshold = –24 dB
D1–D0	R/W	11	00: DRC hysteresis = 0 dB 01: DRC hysteresis = 1 dB 10: DRC hysteresis = 2 dB 11: DRC hysteresis = 3 dB

Page 0 / Register 69: DRC Control 2

BIT	READ/ WRITE	RESET VALUE	DESCRIPTION
D	R	0	Reserved. Write only the reset value to these bits.
D6–D3	R/W	0111	DRC Hold Programmability 0000: DRC Hold Disabled 0001: DRC Hold Time = 32 DAC Word Clocks 0010: DRC Hold Time = 64 DAC Word Clocks 0011: DRC Hold Time = 128 DAC Word Clocks 0100: DRC Hold Time = 256 DAC Word Clocks 0101: DRC Hold Time = 512 DAC Word Clocks ... 1110: DRC Hold Time = 4*32768 DAC Word Clocks 1111: DRC Hold Time = 5*32768 DAC Word Clocks
D2–D0		000	Reserved. Write only the reset value to these bits.

Page 0 / Register 70: DRC Control 3

BIT	READ/ WRITE	RESET VALUE	DESCRIPTION
D7–D4	R/W	0000	0000: DRC attack rate = 4 dB per DAC Word Clock 0001: DRC attack rate = 2 dB per DAC Word Clock 0010: DRC attack rate = 1 dB per DAC Word Clock ... 1110: DRC attack rate = 2.4414e–5 dB per DAC Word Clock 1111: DRC attack rate = 1.2207e–5 dB per DAC Word Clock
D3–D0	R/W	0000	0000: DRC decay rate = 1.5625e–2 dB per DAC Word Clock 0001: DRC decay rate = 7.8125e–3 dB per DAC Word Clock 0010: DRC decay rate = 3.9062e–3 dB per DAC Word Clock ... 1110: DRC decay rate = 9.5367e–7 dB per DAC Word Clock 1111: DRC decay rate = 4.7683e–7 dB per DAC Word Clock

Page 0 / Registers 71–115: Reserved

BIT	READ/ WRITE	RESET VALUE	DESCRIPTION
D7–D0	R/W	XXXX XXXX	Reserved. Do not write to these registers.

Page 0 / Register 116: VOL/MICDET-Pin SAR ADC – Volume Control

BIT	READ/ WRITE	RESET VALUE	DESCRIPTION																											
D7	R/W	0	0: DAC volume control is controlled by control register. (7-bit Vol ADC is powered down) 1: DAC volume control is controlled by pin.																											
D6	R/W	0	0: Internal on-chip RC oscillator is used for the 7-bit Vol ADC for pin volume control. 1: MCLK is used for the 7-bit Vol ADC for pin volume control.																											
D5–D4	R/W	00	00: No hysteresis for volume control ADC output 01: Hysteresis of ±1 bit 10: Hysteresis of ±2 bits 11: Reserved. Do not write this sequence to these bits.																											
D3	R/W	0	Reserved. Write only reset value.																											
D2–D0	R/W	000	Throughput of the 7-bit Vol ADC for pin volume control, frequency based on MCLK or internal oscillator. <table border="1" style="width: 100%; border-collapse: collapse;"> <thead> <tr> <th></th> <th>MCLK = 12 MHz</th> <th>Internal Oscillator Source</th> </tr> </thead> <tbody> <tr> <td>000: Throughput =</td> <td>15.625 Hz</td> <td>10.68 Hz</td> </tr> <tr> <td>001: Throughput =</td> <td>31.25 Hz</td> <td>21.35 Hz</td> </tr> <tr> <td>010: Throughput =</td> <td>62.5 Hz</td> <td>42.71 Hz</td> </tr> <tr> <td>011: Throughput =</td> <td>125 Hz</td> <td>8.2 Hz</td> </tr> <tr> <td>100: Throughput =</td> <td>250 Hz</td> <td>170 Hz</td> </tr> <tr> <td>101: Throughput =</td> <td>500 Hz</td> <td>340 Hz</td> </tr> <tr> <td>110: Throughput =</td> <td>1 kHz</td> <td>680 Hz</td> </tr> <tr> <td>111: Throughput =</td> <td>2 kHz</td> <td>1.37 kHz</td> </tr> </tbody> </table> <p>Note: These values are based on a nominal oscillator frequency of 8.2 MHz. Values will scale to the actual oscillator frequency.</p>		MCLK = 12 MHz	Internal Oscillator Source	000: Throughput =	15.625 Hz	10.68 Hz	001: Throughput =	31.25 Hz	21.35 Hz	010: Throughput =	62.5 Hz	42.71 Hz	011: Throughput =	125 Hz	8.2 Hz	100: Throughput =	250 Hz	170 Hz	101: Throughput =	500 Hz	340 Hz	110: Throughput =	1 kHz	680 Hz	111: Throughput =	2 kHz	1.37 kHz
	MCLK = 12 MHz	Internal Oscillator Source																												
000: Throughput =	15.625 Hz	10.68 Hz																												
001: Throughput =	31.25 Hz	21.35 Hz																												
010: Throughput =	62.5 Hz	42.71 Hz																												
011: Throughput =	125 Hz	8.2 Hz																												
100: Throughput =	250 Hz	170 Hz																												
101: Throughput =	500 Hz	340 Hz																												
110: Throughput =	1 kHz	680 Hz																												
111: Throughput =	2 kHz	1.37 kHz																												

Page 0 / Register 117: VOL/MICDET-Pin Gain

BIT	READ/ WRITE	RESET VALUE	DESCRIPTION
D7	R/W	0	Reserved. Write only zero to this bit.
D6–D0	R	XXXX XXXX	000 0000: Gain applied by pin volume control = 18 dB 000 0001: Gain applied by pin volume control = 17.5 dB 000 0010: Gain applied by pin volume control = 17 dB ... 010 0011: Gain applied by pin volume control = 0.5 dB 010 0100: Gain applied by pin volume control = 0 dB 010 0101: Gain applied by pin volume control = –0.5 dB ... 101 1001: Gain applied by pin volume control = –26.5 dB 101 1010: Gain applied by pin volume control = –27 dB 101 1011: Gain applied by pin volume control = –28 dB ... 111 1101: Gain applied by pin volume control = –62 dB 111 1110: Gain applied by pin volume control = –63 dB 111 1111: Reserved.

Page 0 / Registers 118 to 127: Reserved

BIT	READ/ WRITE	RESET VALUE	DESCRIPTION
D7–D0	R/W	XXXX XXXX	Reserved. Do not write to these registers.

6.3 Control Registers, Page 1: DAC Routing, Power-Controls and MISC Logic Related Programmabilities

Page 1 / Register 0: Page Control Register

BIT	READ/ WRITE	RESET VALUE	DESCRIPTION
D7–D0	R/W	0000 0000	0000 0000: Page 0 selected 0000 0001: Page 1 selected ... 1111 1110: Page 254 selected 1111 1111: Page 255 selected

Page 1 / Registers 1–29: Reserved

BIT	READ/ WRITE	RESET VALUE	DESCRIPTION
D7–D0	R/W	XXXX XXXX	Reserved. Do not write to these registers.

Page 1 / Register 30: Headphone and Speaker Amplifier Error Control

BIT	READ/ WRITE	RESET VALUE	DESCRIPTION
D7–D2	R/W	0000 00	Reserved
D1	R/W	0	0: Reset HPOUT power-up control bit on short-circuit detection if page-1, register 31, D1 = 1. 1: HPOUT power-up control bits remain unchanged on short-circuit detection.
D0	R/W	0	0: Reset SPL and SPR power-up control bits on short-circuit detection. 1: SPL and SPR power-up control bits remain unchanged on short-circuit detection.

Page 1 / Register 31: Headphone Drivers

BIT	READ/ WRITE	RESET VALUE	DESCRIPTION
D7	R/W	0	0: HPOUT output driver is powered down. 1: HPOUT output driver is powered up.
D6	R/W	0	Reserved
D5	R/W	0	Reserved. Write only zero to this bit.
D4–D3	R/W	0	00: Output common-mode voltage = 1.35 V 01: Output common-mode voltage = 1.5 V 10: Output common-mode voltage = 1.65 V 11: Output common-mode voltage = 1.8 V
D2	R/W	1	Reserved. Write only 1 to this bit.
D1	R/W	0	0: If short-circuit protection is enabled for headphone driver and short circuit detected, device limits the maximum current to the load. 1: If short-circuit protection is enabled for headphone driver and short circuit detected, device powers down the output driver.
D0	R	0	0: Short circuit is not detected on the headphone driver. 1: Short circuit is detected on the headphone driver.

Page 1 / Register 32: Class-D Speaker Amplifier

BIT	READ/ WRITE	RESET VALUE	DESCRIPTION
D7	R/W	0	0: Class-D output driver is powered down. 1: Class-D output driver is powered up.
D6	R/W	0	Reserved. Write only reset values.
D5–D1	R/W	00 011	Reserved. Write only reset values.
D0	R	0	0: Short circuit is not detected on the class-D driver. Valid only if class-D amplifier is powered up. For short-circuit flag sticky bit, see page 0 / register 44. 1: Short circuit is detected on the class-D driver. Valid only if class-D amp is powered-up. For short-circuit flag sticky bit, see page 0 / register 44.

Page 1 / Register 33: HP Output Drivers POP Removal Settings

BIT	READ/ WRITE	RESET VALUE	DESCRIPTION
D7	R/W	0	0: If power down sequence is activated by device software power down using page 1 / register 46, bit D7, then power down the DAC simultaneously with the HP and SP amplifiers. 1: If power down sequence is activated by device software power down using page 1 / register 46, bit D7, then power down DAC only after HP and SP amplifiers are completely powered down. This is to optimize power-down POP.
D6–D3	R/W	0111	0000: Driver power-on time = 0 μ s 0001: Driver power-on time = 15.3 μ s 0010: Driver power-on time = 153 μ s 0011: Driver power-on time = 1.53 ms 0100: Driver power-on time = 15.3 ms 0101: Driver power-on time = 76.2 ms 0110: Driver power-on time = 153 ms 0111: Driver power-on time = 304 ms 1000: Driver power-on time = 610ms 1001: Driver power-on time = 1.22 s 1010: Driver power-on time = 3.04 s 1011: Driver power-on time = 6.1 s 1100–1111: Reserved. Do not write these sequences to these bits. NOTE: These values are based on typical oscillator frequency of 8.2 MHz. Scale according to the actual oscillator frequency.
D2–D1	R/W	11	00: Driver ramp-up step time = 0 ms 01: Driver ramp-up step time = 0.98 ms 10: Driver ramp-up step time = 1.95 ms 11: Driver ramp-up step time = 3.9 ms NOTE: These values are based on typical oscillator frequency of 8.2 MHz. Scale according to the actual oscillator frequency.
D0	R/W	0	0: Weakly driven output common-mode voltage is generated from resistor divider of the AVDD supply. 1: Weakly driven output common-mode voltage is generated from band-gap reference.

Page 1 / Register 34: Output Driver PGA Ramp-Down Period Control

BIT	READ/ WRITE	RESET VALUE	DESCRIPTION
D7	R/W	0	Reserved. Write only the reset value to this bit.
D6–D4	R/W	000	Speaker Power-Up Wait Time (Duration Based on Using Internal Oscillator) 000: Wait time = 0 ms 001: Wait time = 3.04 ms 010: Wait time = 7.62 ms 011: Wait time = 12.2 ms 100: Wait time = 15.3 ms 101: Wait time = 19.8 ms 110: Wait time = 24.4 ms 111: Wait time = 30.5 ms NOTE: These values are based on typical oscillator frequency of 8.2 MHz. Scale according to the actual oscillator frequency.
D3–D0	R/W	0000	Reserved. Write only the reset value to these bits.

Page 1 / Register 35: DAC Output Mixer Routing

BIT	READ/ WRITE	RESET VALUE	DESCRIPTION
D7–D6	R/W	00	00: DAC is not routed anywhere. 01: DAC is routed to the mixer amplifier. 10: DAC is routed directly to the HPOUT driver. 11: Reserved
D5	R/W	0	0: AIN1 input is not routed to the mixer amplifier. 1: AIN1 input is routed to the mixer amplifier.
D4		0	0: AIN2 input is not routed to the mixer amplifier. 1: AIN2 input is routed to the mixer amplifier.
D3–D0	R/W	0000	Reserved

Page 1 / Register 36: Analog Vol to HPOUT

BIT	READ/ WRITE	RESET VALUE	DESCRIPTION
D7	R/W	0	0: Analog volume control is not routed to HPOUT output driver. 1: Analog volume control is routed to HPOUT output driver.
D6–D0	R/W	111 1111	Analog volume control gain (non-linear) for the HPOUT output driver, 0 dB to –78 dB. See Table 5-17 and Table 5-18 .

Page 1 / Register 37: Reserved

BIT	READ/ WRITE	RESET VALUE	DESCRIPTION
D7–D0	R/W	0111 1111	Reserved

Page 1 / Register 38: Analog Vol to Class-D Output Driver

BIT	READ/ WRITE	RESET VALUE	DESCRIPTION
D7	R/W	0	0: Analog volume control output is not routed to class-D output driver. 1: Analog volume control output is routed to class-D output driver.
D6–D0	R/W	111 1111	Analog volume control output gain (non-linear) for the class-D output driver, 0 dB to –78 dB. See Table 5-17 and Table 5-18 .

Page 1 / Register 39: Reserved

BIT	READ/ WRITE	RESET VALUE	DESCRIPTION
D7–D0	R/W	0111 1111	Reserved

Page 1 / Register 40: HPOUT Driver

BIT	READ/ WRITE	RESET VALUE	DESCRIPTION
D7	R/W	0	Reserved. Write only zero to this bit.
D6–D3	R/W	0000	0000: HPOUT driver PGA = 0 dB 0001: HPOUT driver PGA = 1 dB 0010: HPOUT driver PGA = 2 dB ... 1000: HPOUT driver PGA = 8 dB 1001: HPOUT driver PGA = 9 dB 1010–1111: Reserved. Do not write these sequences to these bits.
D2	R/W	0	0: HPOUT driver is muted. 1: HPOUT driver is not muted.
D1	R/W	1	0: HPOUT driver is weakly driven to a common mode during power down. 1: HPOUT driver is high-impedance during power down.
D0	R	0	0: Not all programmed gains to HPOUT have been applied yet. 1: All programmed gains to HPOUT have been applied.

Page 1 / Register 41: Reserved

BIT	READ/ WRITE	RESET VALUE	DESCRIPTION
D7–D0	R/W	XXXX XXXX	Reserved. Do not write to this register.

Page 1 / Register 42: Class-D Output Driver

BIT	READ/ WRITE	RESET VALUE	DESCRIPTION
D7–D5	R/W	000	Reserved. Write only zeros to these bits.
D4–D3	R/W	00	00: Class-D driver output stage gain = 6 dB 01: Class-D driver output stage gain = 12 dB 10: Class-D driver output stage gain = 18 dB 11: Class-D driver output stage gain = 24 dB
D2	R/W	0	0: Class-D driver is muted. 1: Class-D driver is not muted.
D1	R/W	0	Reserved. Write only zero to this bit.
D0	R	0	0: Not all programmed gains to class-D driver have been applied yet. 1: All programmed gains to class-D driver have been applied.

Page 1 / Register 43: Reserved

BIT	READ/ WRITE	RESET VALUE	DESCRIPTION
D7–D0	R/W	XXXX XXXX	Reserved. Do not write to this register.

Page 1 / Register 44: HP Driver Control

BIT	READ/ WRITE	RESET VALUE	DESCRIPTION																								
D7–D5	R/W	000	Debounce time for the headset short-circuit detection																								
			<table border="1"> <thead> <tr> <th>(1)</th> <th>MCLK/DIV (Page 3 / register 16) = 1-MHz Source</th> <th>Internal Oscillator Source</th> </tr> </thead> <tbody> <tr> <td>000: Debounce time =</td> <td>0 μs</td> <td>0 μs</td> </tr> <tr> <td>001: Debounce time =</td> <td>8 μs</td> <td>7.8 μs</td> </tr> <tr> <td>010: Debounce time =</td> <td>16 μs</td> <td>15.6 μs</td> </tr> <tr> <td>011: Debounce time =</td> <td>32 μs</td> <td>31.2 μs</td> </tr> <tr> <td>100: Debounce time =</td> <td>64 μs</td> <td>62.4 μs</td> </tr> <tr> <td>101: Debounce time =</td> <td>128 μs</td> <td>124.9 μs</td> </tr> <tr> <td>110: Debounce time =</td> <td>256 μs</td> <td>250 μs</td> </tr> <tr> <td>111: Debounce time =</td> <td>512 μs</td> <td>500 μs</td> </tr> </tbody> </table> <p>Note: These values are based on a nominal oscillator frequency of 8.2 MHz. Values will scale to the actual oscillator frequency.</p>	(1)	MCLK/DIV (Page 3 / register 16) = 1-MHz Source	Internal Oscillator Source	000: Debounce time =	0 μs	0 μs	001: Debounce time =	8 μs	7.8 μs	010: Debounce time =	16 μs	15.6 μs	011: Debounce time =	32 μs	31.2 μs	100: Debounce time =	64 μs	62.4 μs	101: Debounce time =	128 μs	124.9 μs	110: Debounce time =	256 μs	250 μs
(1)	MCLK/DIV (Page 3 / register 16) = 1-MHz Source	Internal Oscillator Source																									
000: Debounce time =	0 μs	0 μs																									
001: Debounce time =	8 μs	7.8 μs																									
010: Debounce time =	16 μs	15.6 μs																									
011: Debounce time =	32 μs	31.2 μs																									
100: Debounce time =	64 μs	62.4 μs																									
101: Debounce time =	128 μs	124.9 μs																									
110: Debounce time =	256 μs	250 μs																									
111: Debounce time =	512 μs	500 μs																									
D4–D3	R/W	00	00: Default mode for the DAC 01: DAC performance increased by increasing the current 10: Reserved 11: DAC performance increased further by increasing the current again																								
D2	R/W	0	0: HPOUT output driver is programmed as headphone driver. 1: HPOUT output driver is programmed as lineout driver.																								
D1–D0	R/W	0	Reserved. Write only zeros to these bits.																								

(1) The clock used for the debounce has a clock period = debounce duration/8.

Page 1 / Register 45: Reserved

BIT	READ/ WRITE	RESET VALUE	DESCRIPTION
D7–D0	R/W	XXXX XXXX	Reserved. Do not write to these registers.

Page 1 / Register 46: MICBIAS

BIT	READ/ WRITE	RESET VALUE	DESCRIPTION
D7	R/W	0	0: Device software power down is not enabled. 1: Device software power down is enabled.
D6–D4	R/W	000	Reserved. Write only zeros to these bits.
D3	R/W	0	0: Programmed MICBIAS is not powered up if headset detection is enabled but headset is not inserted. 1: Programmed MICBIAS is powered up even if headset is not inserted.
D2	R/W	0	Reserved. Write only zero to this bit.
D1–D0	R/W	00	00: MICBIAS output is powered down. 01: MICBIAS output is powered to 2 V. 10: MICBIAS output is powered to 2.5 V. 11: MICBIAS output is powered to AVDD.

Page 1 / Registers 47–49: Reserved

BIT	READ/ WRITE	RESET VALUE	DESCRIPTION
D7–D0	R/W	XXXX XXXX	Reserved. Write only the reset value to these bits.

Table 6-3. Page 1 / Register 50: Input CM Settings

BIT	READ/ WRITE	RESET VALUE	DESCRIPTION
D7	R/W	0	0: AIN1 input is floating if it is not used for analog bypass. 1: AIN1 input is connected to CM internally if it is not used for analog bypass.
D6	R/W	0	0: AIN2 input is floating if it is not used for analog bypass. 1: AIN2 input is connected to CM internally if it is not used for analog bypass.
D5–D0	R/W	00 0000	Reserved. Write only zeros to these bits.

Table 6-4. Page 1 / Registers 51–127: Reserved

BIT	READ/ WRITE	RESET VALUE	DESCRIPTION
D7–D0	R/W	XXXX XXXX	Reserved. Write only the reset value to these bits.

6.4 Control Registers, Page 3: MCLK Divider for Programmable Delay Timer

Default values shown for this page only become valid 100 μ s following a hardware or software reset.

Page 3 / Register 0: Page Control Register

BIT	READ/ WRITE	RESET VALUE	DESCRIPTION
D7–D0	R/W	0000 0000	0000 0000: Page 0 selected 0000 0001: Page 1 selected ... 1111 1110: Page 254 selected 1111 1111: Page 255 selected

The only register used in page 3 is register 16. The remaining page 3 registers are reserved and should not be written to.

Table 6-5. Page 3 / Register 16: MCLK Divider for Programmable Delay Timer

BIT	READ/ WRITE	RESET VALUE	DESCRIPTION
D7	R/W	1	0: Internal oscillator is used for programmable delay timer. 1: External MCLK ⁽¹⁾ is used for programmable delay timer.
D6–D0	R/W	000 0000	MCLK Divider to Generate 1-MHz Clock for the Programmable Delay Timer 000 0000: MCLK divider = 128 000 0001: MCLK divider = 1 000 0010: MCLK divider = 2 ... 111 1110: MCLK divider = 126 111 1111: MCLK divider = 127

(1) External clock is used only to control the delay programmed between the conversions and not used for doing the actual conversion. This feature is provided in case a more accurate delay is desired since the internal oscillator frequency varies from device to device.

6.5 Control Registers, Page 8: DAC Programmable Coefficients RAM Buffer A (1:63)

Default values shown for this page only become valid 100 μ s following a hardware or software reset.

Page 8 / Register 0: Page Control Register

BIT	READ/ WRITE	RESET VALUE	DESCRIPTION
D7–D0	R/W	0000 0000	0000 0000: Page 0 selected 0000 0001: Page 1 selected ... 1111 1110: Page 254 selected 1111 1111: Page 255 selected

The remaining page-8 registers are either reserved registers or are used for setting coefficients for the various filters in the TLV320DAC3120. Reserved registers should not be written to.

The filter coefficient registers are arranged in pairs, with two adjacent 8-bit registers containing the 16-bit coefficient for a single filter. The 16-bit integer contained in the MSB and LSB registers for a coefficient are interpreted as a 2s-complement integer, with possible values ranging from $-32,768$ to $32,767$. When programming any coefficient value for a filter, the MSB register should always be written first, immediately followed by the LSB register. Even if only the MSB or LSB portion of the coefficient changes, both registers should be written in this sequence. [Table 6-6](#) is a list of the page-8 registers, excepting the previously described register 0.

Page 8 / Register 1: DAC Coefficient RAM Control

BIT	READ/ WRITE	RESET VALUE	DESCRIPTION
D7–D4	R/W	0000	Reserved. Write only the reset value.
D3	R	0	DAC miniDSP generated flag for toggling MSB of coefficient RAM address (only used in non-adaptive mode)
D2	R/W	0	DAC Adaptive Filtering Control 0: Adaptive filtering disabled in DAC miniDSP 1: Adaptive filtering enabled in DAC miniDSP
D1	R	0	DAC Adaptive Filter Buffer Control Flag 0: In adaptive filter mode, DAC miniDSP accesses DAC coefficient Buffer A and the external control interface accesses DAC coefficient Buffer B 1: In adaptive filter mode, DAC miniDSP accesses DAC coefficient Buffer B and the external control interface accesses DAC coefficient Buffer A
D0	R/W	0	DAC Adaptive Filter Buffer Switch Control 0: DAC coefficient buffers are not switched at the next frame boundary. 1: DAC coefficient buffers are switched at the next frame boundary, if adaptive filtering mode is enabled. This bit self-clears on switching.

Table 6-6. Page-8 Registers

REGISTER NUMBER	RESET VALUE	REGISTER NAME
2	0111 1111	Coefficient N0(15:8) for left DAC-programmable biquad A or Coefficient C1(15:8) of DAC miniDSP (DAC Buffer A)
3	1111 1111	Coefficient N0(7:0) for left DAC-programmable biquad A or Coefficient C1(7:0) of DAC miniDSP (DAC Buffer A)
4	0000 0000	Coefficient N1(15:8) for left DAC-programmable biquad A or Coefficient C2(15:8) of DAC miniDSP (DAC Buffer A)
5	0000 0000	Coefficient N1(7:0) for left DAC-programmable biquad A or Coefficient C2(7:0) of DAC miniDSP (DAC Buffer A)
6	0000 0000	Coefficient N2(15:8) for left DAC-programmable biquad A or Coefficient C3(15:8) of DAC miniDSP (DAC Buffer A)
7	0000 0000	Coefficient N2(7:0) for left DAC-programmable biquad A or Coefficient C3(7:0) of DAC miniDSP (DAC Buffer A)
8	0000 0000	Coefficient D1(15:8) for left DAC-programmable biquad A or Coefficient C4(15:8) of DAC miniDSP (DAC Buffer A)
9	0000 0000	Coefficient D1(7:0) for left DAC-programmable biquad A or Coefficient C4(7:0) of DAC miniDSP (DAC Buffer A)
10	0000 0000	Coefficient D2(15:8) for left DAC-programmable biquad A or Coefficient C5(15:8) of DAC miniDSP (DAC Buffer A)
11	0000 0000	Coefficient D2(7:0) for left DAC-programmable biquad A or Coefficient C5(7:0) of DAC miniDSP (DAC Buffer A)
12	0111 1111	Coefficient N0(15:8) for left DAC-programmable biquad B or Coefficient C6(15:8) of DAC miniDSP (DAC Buffer A)
13	1111 1111	Coefficient N0(7:0) for left DAC-programmable biquad B or Coefficient C6(7:0) of DAC miniDSP (DAC Buffer A)
14	0000 0000	Coefficient N1(15:8) for left DAC-programmable biquad B or Coefficient C7(15:8) of DAC miniDSP (DAC Buffer A)
15	0000 0000	Coefficient N1(7:0) for left DAC-programmable biquad B or Coefficient C7(7:0) of DAC miniDSP (DAC Buffer A)
16	0000 0000	Coefficient N2(15:8) for left DAC-programmable biquad B or Coefficient C8(15:8) of DAC miniDSP (DAC Buffer A)
17	0000 0000	Coefficient N2(7:0) for left DAC-programmable biquad B or Coefficient C8(7:0) of DAC miniDSP (DAC Buffer A)
18	0000 0000	Coefficient D1(15:8) for left DAC-programmable biquad B or Coefficient C9(15:8) of DAC miniDSP (DAC Buffer A)
19	0000 0000	Coefficient D1(7:0) for left DAC-programmable biquad B or Coefficient C9(7:0) of DAC miniDSP (DAC Buffer A)
20	0000 0000	Coefficient D2(15:8) for left DAC-programmable biquad B or Coefficient C10(15:8) of DAC miniDSP (DAC Buffer A)
21	0000 0000	Coefficient D2(7:0) for left DAC-programmable biquad B or Coefficient C10(7:0) of DAC miniDSP (DAC Buffer A)
22	0111 1111	Coefficient N0(15:8) for left DAC-programmable biquad C or Coefficient C11(15:8) of DAC miniDSP (DAC Buffer A)
23	1111 1111	Coefficient N0(7:0) for left DAC-programmable biquad C or Coefficient C11(7:0) of DAC miniDSP (DAC Buffer A)
24	0000 0000	Coefficient N1(15:8) for left DAC-programmable biquad C or Coefficient C12(15:8) of DAC miniDSP (DAC Buffer A)
25	0000 0000	Coefficient N1(7:0) for left DAC-programmable biquad C or Coefficient C12(7:0) of DAC miniDSP (DAC Buffer A)
26	0000 0000	Coefficient N2(15:8) for left DAC-programmable biquad C or Coefficient C13(15:8) of DAC miniDSP (DAC Buffer A)
27	0000 0000	Coefficient N2(7:0) for left DAC-programmable biquad C or Coefficient C13(7:0) of DAC miniDSP (DAC Buffer A)
28	0000 0000	Coefficient D1(15:8) for left DAC-programmable biquad C or Coefficient C14(15:8) of DAC miniDSP (DAC Buffer A)

Table 6-6. Page-8 Registers (continued)

REGISTER NUMBER	RESET VALUE	REGISTER NAME
29	0000 0000	Coefficient D1(7:0) for left DAC-programmable biquad C or Coefficient C14(7:0) of DAC miniDSP (DAC Buffer A)
30	0000 0000	Coefficient D2(15:8) for left DAC-programmable biquad C or Coefficient C15(15:8) of DAC miniDSP (DAC Buffer A)
31	0000 0000	Coefficient D2(7:0) for left DAC-programmable biquad C or Coefficient C15(7:0) of DAC miniDSP (DAC Buffer A)
32	0111 1111	Coefficient N0(15:8) for left DAC-programmable biquad D or Coefficient C16(15:8) of DAC miniDSP (DAC Buffer A)
33	1111 1111	Coefficient N0(7:0) for left DAC-programmable biquad D or Coefficient C16(7:0) of DAC miniDSP (DAC Buffer A)
34	0000 0000	Coefficient N1(15:8) for left DAC-programmable biquad D or Coefficient C17(15:8) of DAC miniDSP (DAC Buffer A)
35	0000 0000	Coefficient N1(7:0) for left DAC-programmable biquad D or Coefficient C17(7:0) of DAC miniDSP (DAC Buffer A)
36	0000 0000	Coefficient N2(15:8) for left DAC-programmable biquad D or Coefficient C18(15:8) of DAC miniDSP (DAC Buffer A)
37	0000 0000	Coefficient N2(7:0) for left DAC-programmable biquad D or Coefficient C18(7:0) of DAC miniDSP (DAC Buffer A)
38	0000 0000	Coefficient D1(15:8) for left DAC-programmable biquad D or Coefficient C19(15:8) of DAC miniDSP (DAC Buffer A)
39	0000 0000	Coefficient D1(7:0) for left DAC-programmable biquad D or Coefficient C19(7:0) of DAC miniDSP (DAC Buffer A)
40	0000 0000	Coefficient D2(15:8) for left DAC-programmable biquad D or Coefficient C20(15:8) of DAC miniDSP (DAC Buffer A)
41	0000 0000	Coefficient D2(7:0) for left DAC-programmable biquad D or Coefficient C20(7:0) of DAC miniDSP (DAC Buffer A)
42	0111 1111	Coefficient N0(15:8) for left DAC-programmable biquad E or Coefficient C21(15:8) of DAC miniDSP (DAC Buffer A)
43	1111 1111	Coefficient N0(7:0) for left DAC-programmable biquad E or Coefficient C21(7:0) of DAC miniDSP (DAC Buffer A)
44	0000 0000	Coefficient N1(15:8) for left DAC-programmable biquad E or Coefficient C22(15:8) of DAC miniDSP (DAC Buffer A)
45	0000 0000	Coefficient N1(7:0) for left DAC-programmable biquad E or Coefficient C22(7:0) of DAC miniDSP (DAC Buffer A)
46	0000 0000	Coefficient N2(15:8) for left DAC-programmable biquad E or Coefficient C23(15:8) of DAC miniDSP (DAC Buffer A)
47	0000 0000	Coefficient N2(7:0) for left DAC-programmable biquad E or Coefficient C23(7:0) of DAC miniDSP (DAC Buffer A)
48	0000 0000	Coefficient D1(15:8) for left DAC-programmable biquad E or Coefficient C24(15:8) of DAC miniDSP (DAC Buffer A)
49	0000 0000	Coefficient D1(7:0) for left DAC-programmable biquad E or Coefficient C24(7:0) of DAC miniDSP (DAC Buffer A)
50	0000 0000	Coefficient D2(15:8) for left DAC-programmable biquad E or Coefficient C25(15:8) of DAC miniDSP (DAC Buffer A)
51	0000 0000	Coefficient D2(7:0) for left DAC-programmable biquad E or Coefficient C25(7:0) of DAC miniDSP (DAC Buffer A)
52	0111 1111	Coefficient N0(15:8) for left DAC-programmable biquad F or Coefficient C26(15:8) of DAC miniDSP (DAC Buffer A)
53	1111 1111	Coefficient N0(7:0) for left DAC-programmable biquad F or Coefficient C26(7:0) of DAC miniDSP (DAC Buffer A)
54	0000 0000	Coefficient N1(15:8) for left DAC-programmable biquad F or Coefficient C27(15:8) of DAC miniDSP (DAC Buffer A)
55	0000 0000	Coefficient N1(7:0) for left DAC-programmable biquad F or Coefficient C27(7:0) of DAC miniDSP (DAC Buffer A)

Table 6-6. Page-8 Registers (continued)

REGISTER NUMBER	RESET VALUE	REGISTER NAME
56	0000 0000	Coefficient N2(15:8) for left DAC-programmable biquad F or Coefficient C28(15:8) of DAC miniDSP (DAC Buffer A)
57	0000 0000	Coefficient N2(7:0) for left DAC-programmable biquad F or Coefficient C28(7:0) of DAC miniDSP (DAC Buffer A)
58	0000 0000	Coefficient D1(15:8) for left DAC-programmable biquad F or Coefficient C29(15:8) of DAC miniDSP (DAC Buffer A)
59	0000 0000	Coefficient D1(7:0) for left DAC-programmable biquad F or Coefficient C29(7:0) of DAC miniDSP (DAC Buffer A)
60	0000 0000	Coefficient D2(15:8) for left DAC-programmable biquad F or Coefficient C30(15:8) of DAC miniDSP (DAC Buffer A)
61	0000 0000	Coefficient D2(7:0) for left DAC-programmable biquad F or Coefficient C30(7:0) of DAC miniDSP (DAC Buffer A)
62	0000 0000	Coefficient C31(15:8) of DAC miniDSP (DAC Buffer A)
63	0000 0000	Coefficient C31(7:0) of DAC miniDSP (DAC Buffer A)
64	0000 0000	Coefficient C32(15:8) of DAC miniDSP (DAC Buffer A)—also used for the 3D PGA for PRB_P23, PRB_P24 and PRB_P25
65	0000 0000	Coefficient C32(7:0) of DAC miniDSP (DAC Buffer A)—also used for the 3D PGA for PRB_P23, PRB_P24 and PRB_P25
66	0111 1111	Coefficient N0(15:8) for right DAC-programmable biquad A or Coefficient C33(15:8) of DAC miniDSP (DAC Buffer A)
67	1111 1111	Coefficient N0(7:0) for right DAC-programmable biquad A or Coefficient C33(7:0) of DAC miniDSP (DAC Buffer A)
68	0000 0000	Coefficient N1(15:8) for right DAC-programmable biquad A or Coefficient C34(15:8) of DAC miniDSP (DAC Buffer A)
69	0000 0000	Coefficient N1(7:0) for right DAC-programmable biquad A or Coefficient C34(7:0) of DAC miniDSP (DAC Buffer A)
70	0000 0000	Coefficient N2(15:8) for right DAC-programmable biquad A or Coefficient C35(15:8) of DAC miniDSP (DAC Buffer A)
71	0000 0000	Coefficient N2(7:0) for right DAC-programmable biquad A or Coefficient C35(7:0) of DAC miniDSP (DAC Buffer A)
72	0000 0000	Coefficient D1(15:8) for right DAC-programmable biquad A or Coefficient C36(15:8) of DAC miniDSP (DAC Buffer A)
73	0000 0000	Coefficient D1(7:0) for right DAC-programmable biquad A or Coefficient C36(7:0) of DAC miniDSP (DAC Buffer A)
74	0000 0000	Coefficient D2(15:8) for right DAC-programmable biquad A or Coefficient C37(15:8) of DAC miniDSP (DAC Buffer A)
75	0000 0000	Coefficient D2(7:0) for right DAC-programmable biquad A or Coefficient C37(7:0) of DAC miniDSP (DAC Buffer A)
76	0111 1111	Coefficient N0(15:8) for right DAC-programmable biquad B or Coefficient C38(15:8) of DAC miniDSP (DAC Buffer A)
77	1111 1111	Coefficient N0(7:0) for right DAC-programmable biquad B or Coefficient C38(7:0) of DAC miniDSP (DAC Buffer A)
78	0000 0000	Coefficient N1(15:8) for right DAC-programmable biquad B or Coefficient C39(15:8) of DAC miniDSP (DAC Buffer A)
79	0000 0000	Coefficient N1(7:0) for right DAC-programmable biquad B or Coefficient C39(7:0) of DAC miniDSP (DAC Buffer A)
80	0000 0000	Coefficient N2(15:8) for right DAC-programmable biquad B or Coefficient C40(15:8) of DAC miniDSP (DAC Buffer A)
81	0000 0000	Coefficient N2(7:0) for right DAC-programmable biquad B or Coefficient C40(7:0) of DAC miniDSP (DAC Buffer A)
82	0000 0000	Coefficient D1(15:8) for right DAC-programmable biquad B or Coefficient C41(15:8) of DAC miniDSP (DAC Buffer A)
83	0000 0000	Coefficient D1(7:0) for right DAC-programmable biquad B or Coefficient C41(7:0) of DAC miniDSP (DAC Buffer A)

Table 6-6. Page-8 Registers (continued)

REGISTER NUMBER	RESET VALUE	REGISTER NAME
84	0000 0000	Coefficient D2(15:8) for right DAC-programmable biquad B or Coefficient C42(15:8) of DAC miniDSP (DAC Buffer A)
85	0000 0000	Coefficient D2(7:0) for right DAC-programmable biquad B or Coefficient C42(7:0) of DAC miniDSP (DAC Buffer A)
86	0111 1111	Coefficient N0(15:8) for right DAC-programmable biquad C or Coefficient C43(15:8) of DAC miniDSP (DAC Buffer A)
87	1111 1111	Coefficient N0(7:0) for right DAC-programmable biquad C or Coefficient C43(7:0) of DAC miniDSP (DAC Buffer A)
88	0000 0000	Coefficient N1(15:8) for right DAC-programmable biquad C or Coefficient C44(15:8) of DAC miniDSP (DAC Buffer A)
89	0000 0000	Coefficient N1(7:0) for right DAC-programmable biquad C or Coefficient C44(7:0) of DAC miniDSP (DAC Buffer A)
90	0000 0000	Coefficient N2(15:8) for right DAC-programmable biquad C or Coefficient C45(15:8) of DAC miniDSP (DAC Buffer A)
91	0000 0000	Coefficient N2(7:0) for right DAC-programmable biquad C or Coefficient C45(7:0) of DAC miniDSP (DAC Buffer A)
92	0000 0000	Coefficient D1(15:8) for right DAC-programmable biquad C or Coefficient C46(15:8) of DAC miniDSP (DAC Buffer A)
93	0000 0000	Coefficient D1(7:0) for right DAC-programmable biquad C or Coefficient C46(7:0) of DAC miniDSP (DAC Buffer A)
94	0000 0000	Coefficient D2(15:8) for right DAC-programmable biquad C or Coefficient C47(15:8) of DAC miniDSP (DAC Buffer A)
95	0000 0000	Coefficient D2(7:0) for right DAC-programmable biquad C or Coefficient C47(7:0) of DAC miniDSP (DAC Buffer A)
96	0111 1111	Coefficient N0(15:8) for right DAC-programmable biquad D or Coefficient C48(15:8) of DAC miniDSP (DAC Buffer A)
97	1111 1111	Coefficient N0(7:0) for right DAC-programmable biquad D or Coefficient C48(7:0) of DAC miniDSP (DAC Buffer A)
98	0000 0000	Coefficient N1(15:8) for right DAC-programmable biquad D or Coefficient C49(15:8) of DAC miniDSP (DAC Buffer A)
99	0000 0000	Coefficient N1(7:0) for right DAC-programmable biquad D or Coefficient C49(7:0) of DAC miniDSP (DAC Buffer A)
100	0000 0000	Coefficient N2(15:8) for right DAC-programmable biquad D or Coefficient C50(15:8) of DAC miniDSP (DAC Buffer A)
101	0000 0000	Coefficient N2(7:0) for right DAC-programmable biquad D or Coefficient C50(7:0) of DAC miniDSP (DAC Buffer A)
102	0000 0000	Coefficient D1(15:8) for right DAC-programmable biquad D or Coefficient C51(15:8) of DAC miniDSP (DAC Buffer A)
103	0000 0000	Coefficient D1(7:0) for right DAC-programmable biquad D or Coefficient C51(7:0) of DAC miniDSP (DAC Buffer A)
104	0000 0000	Coefficient D2(15:8) for right DAC-programmable biquad D or Coefficient C52(15:8) of DAC miniDSP (DAC Buffer A)
105	0000 0000	Coefficient D2(7:0) for right DAC-programmable biquad D or Coefficient C52(7:0) of DAC miniDSP (DAC Buffer A)
106	0111 1111	Coefficient N0(15:8) for right DAC-programmable biquad E or Coefficient C53(15:8) of DAC miniDSP (DAC Buffer A)
107	1111 1111	Coefficient N0(7:0) for right DAC-programmable biquad E or Coefficient C53(7:0) of DAC miniDSP (DAC Buffer A)
108	0000 0000	Coefficient N1(15:8) for right DAC-programmable biquad E or Coefficient C54(15:8) of DAC miniDSP (DAC Buffer A)
109	0000 0000	Coefficient N1(7:0) for right DAC-programmable biquad E or Coefficient C54(7:0) of DAC miniDSP (DAC Buffer A)
110	0000 0000	Coefficient N2(15:8) for right DAC-programmable biquad E or Coefficient C55(15:8) of DAC miniDSP (DAC Buffer A)

Table 6-6. Page-8 Registers (continued)

REGISTER NUMBER	RESET VALUE	REGISTER NAME
111	0000 0000	Coefficient N2(7:0) for right DAC-programmable biquad E or Coefficient C55(7:0) of DAC miniDSP (DAC Buffer A)
112	0000 0000	Coefficient D1(15:8) for right DAC-programmable biquad E or Coefficient C56(15:8) of DAC miniDSP (DAC Buffer A)
113	0000 0000	Coefficient D1(7:0) for right DAC-programmable biquad E or Coefficient C56(7:0) of DAC miniDSP (DAC Buffer A)
114	0000 0000	Coefficient D2(15:8) for right DAC-programmable biquad E or Coefficient C57(15:8) of DAC miniDSP (DAC Buffer A)
115	0000 0000	Coefficient D2(7:0) for right DAC-programmable biquad E or Coefficient C57(7:0) of DAC miniDSP (DAC Buffer A)
116	0111 1111	Coefficient N0(15:8) for right DAC-programmable biquad F or Coefficient C58(15:8) of DAC miniDSP (DAC Buffer A)
117	1111 1111	Coefficient N0(7:0) for right DAC-programmable biquad F or Coefficient C58(7:0) of DAC miniDSP (DAC Buffer A)
118	0000 0000	Coefficient N1(15:8) for right DAC-programmable biquad F or Coefficient C59(15:8) of DAC miniDSP (DAC Buffer A)
119	0000 0000	Coefficient N1(7:0) for right DAC-programmable biquad F or Coefficient C59(7:0) of DAC miniDSP (DAC Buffer A)
120	0000 0000	Coefficient N2(15:8) for right DAC-programmable biquad F or Coefficient C60(15:8) of DAC miniDSP (DAC Buffer A)
121	0000 0000	Coefficient N2(7:0) for right DAC-programmable biquad F or Coefficient C60(7:0) of DAC miniDSP (DAC Buffer A)
122	0000 0000	Coefficient D1(15:8) for right DAC-programmable biquad F or Coefficient C61(15:8) of DAC miniDSP (DAC Buffer A)
123	0000 0000	Coefficient D1(7:0) for right DAC-programmable biquad F or Coefficient C61(7:0) of DAC miniDSP (DAC Buffer A)
124	0000 0000	Coefficient D2(15:8) for right DAC-programmable biquad F or Coefficient C62(15:8) of DAC miniDSP (DAC Buffer A)
125	0000 0000	Coefficient D2(7:0) for right DAC-programmable biquad F or Coefficient C62(7:0) of DAC miniDSP (DAC Buffer A)
126	0000 0000	Coefficient C63(15:8) of DAC miniDSP (DAC Buffer A)
127	0000 0000	Coefficient C63(7:0) of DAC miniDSP (DAC Buffer A)

6.6 Control Registers, Page 9: DAC Programmable Coefficients RAM Buffer A (65:127)

Default values shown for this page only become valid 100 μ s following a hardware or software reset.

Page 9 / Register 0: Page Control Register

BIT	READ/ WRITE	RESET VALUE	DESCRIPTION
D7–D0	R/W	0000 0000	0000 0000: Page 0 selected 0000 0001: Page 1 selected ... 1111 1110: Page 254 selected 1111 1111: Page 255 selected

The remaining page-9 registers are either reserved registers or are used for setting coefficients for the various filters in the TLV320DAC3120. Reserved registers should not be written to.

The filter-coefficient registers are arranged in pairs, with two adjacent 8-bit registers containing the 16-bit coefficient for a single filter. The 16-bit integer contained in the MSB and LSB registers for a coefficient are interpreted as a 2s-complement integer, with possible values ranging from $-32,768$ to $32,767$. When programming any coefficient value for a filter, the MSB register should always be written first, immediately followed by the LSB register. Even if only the MSB or LSB portion of the coefficient changes, both registers should be written in this sequence. [Table 6-7](#) is a list of the page-9 registers, excepting the previously described register 0.

Table 6-7. Page-9 Registers

REGISTER NUMBER	RESET VALUE	REGISTER NAME
1	XXXX XXXX	Reserved. Do not write to this register.
2	0111 1111	Coefficient N0(15:8) for left DAC-programmable first-order IIR or Coefficient C65(15:8) of DAC miniDSP (DAC Buffer A)
3	1111 1111	Coefficient N0(7:0) for left DAC-programmable first-order IIR or Coefficient C65(7:0) of DAC miniDSP (DAC Buffer A)
4	0000 0000	Coefficient N1(15:8) for left DAC-programmable first-order IIR or Coefficient C66(15:8) of DAC miniDSP (DAC Buffer A)
5	0000 0000	Coefficient N1(7:0) for left DAC-programmable first-order IIR or Coefficient C66(7:0) of DAC miniDSP (DAC Buffer A)
6	0000 0000	Coefficient D1(15:8) for left DAC-programmable first-order IIR or Coefficient C67(15:8) of DAC miniDSP (DAC Buffer A)
7	0000 0000	Coefficient D1(7:0) for left DAC-programmable first-order IIR or Coefficient C67(7:0) of DAC miniDSP (DAC Buffer A)
8	0111 1111	Coefficient N0(15:8) for right DAC-programmable first-order IIR or Coefficient C68(15:8) of DAC miniDSP (DAC Buffer A)
9	1111 1111	Coefficient N0(7:0) for right DAC-programmable first-order IIR or Coefficient C68(7:0) of DAC miniDSP (DAC Buffer A)
10	0000 0000	Coefficient N1(15:8) for right DAC-programmable first-order IIR or Coefficient C69(15:8) of DAC miniDSP (DAC Buffer A)
11	0000 0000	Coefficient N1(7:0) for right DAC-programmable first-order IIR or Coefficient C69(7:0) of DAC miniDSP (DAC Buffer A)
12	0000 0000	Coefficient D1(15:8) for right DAC-programmable first-order IIR or Coefficient C70(15:8) of DAC miniDSP (DAC Buffer A)
13	0000 0000	Coefficient D1(7:0) for right DAC-programmable first-order IIR or Coefficient C70(7:0) of DAC miniDSP (DAC Buffer A)
14	0111 1111	Coefficient N0(15:8) for DRC first-order high-pass filter or Coefficient C71(15:8) of DAC miniDSP (DAC Buffer A)
15	1111 0111	Coefficient N0(7:0) for DRC first-order high-pass filter or Coefficient C71(7:0) of DAC miniDSP (DAC Buffer A)
16	1000 0000	Coefficient N1(15:8) for DRC first-order high-pass filter or Coefficient C72(15:8) of DAC miniDSP (DAC Buffer A)

Table 6-7. Page-9 Registers (continued)

REGISTER NUMBER	RESET VALUE	REGISTER NAME
17	0000 1001	Coefficient N1(7:0) for DRC first-order high-pass filter or Coefficient C72(7:0) of DAC miniDSP (DAC Buffer A)
18	0111 1111	Coefficient D1(15:8) for DRC first-order high-pass filter or Coefficient C73(15:8) of DAC miniDSP (DAC Buffer A)
19	1110 1111	Coefficient D1(7:0) for DRC first-order high-pass filter or Coefficient C73(7:0) of DAC miniDSP (DAC Buffer A)
20	0000 0000	Coefficient N0(15:8) for DRC first-order low-pass filter or Coefficient C74(15:8) of DAC miniDSP (DAC Buffer A)
21	0001 0001	Coefficient N0(7:0) for DRC first-order low-pass filter or Coefficient C74(7:0) of DAC miniDSP (DAC Buffer A)
22	0000 0000	Coefficient N1(15:8) for DRC first-order low-pass filter or Coefficient C75(15:8) of DAC miniDSP (DAC Buffer A)
23	0001 0001	Coefficient N1(7:0) for DRC first-order low-pass filter or Coefficient C75(7:0) of DAC miniDSP (DAC Buffer A)
24	0111 1111	Coefficient D1(15:8) for DRC first-order low-pass filter or Coefficient C76(15:8) of DAC miniDSP (DAC Buffer A)
25	1101 1110	Coefficient D1(7:0) for DRC first-order low-pass filter or Coefficient C76(7:0) of DAC miniDSP (DAC Buffer A)
26	0000 0000	Coefficient C77(15:8) of DAC miniDSP (DAC Buffer A)
27	0000 0000	Coefficient C77(7:0) of DAC miniDSP (DAC Buffer A)
28	0000 0000	Coefficient C78(15:8) of DAC miniDSP (DAC Buffer A)
29	0000 0000	Coefficient C78(7:0) of DAC miniDSP (DAC Buffer A)
30	0000 0000	Coefficient C79(15:8) of DAC miniDSP (DAC Buffer A)
31	0000 0000	Coefficient C79(7:0) of DAC miniDSP (DAC Buffer A)
32	0000 0000	Coefficient C80(15:8) of DAC miniDSP (DAC Buffer A)
33	0000 0000	Coefficient C80(7:0) of DAC miniDSP (DAC Buffer A)
34	0000 0000	Coefficient C81(15:8) of DAC miniDSP (DAC Buffer A)
35	0000 0000	Coefficient C81(7:0) of DAC miniDSP (DAC Buffer A)
36	0000 0000	Coefficient C82(15:8) of DAC miniDSP (DAC Buffer A)
37	0000 0000	Coefficient C82(7:0) of DAC miniDSP (DAC Buffer A)
38	0000 0000	Coefficient C83(15:8) of DAC miniDSP (DAC Buffer A)
39	0000 0000	Coefficient C83(7:0) of DAC miniDSP (DAC Buffer A)
40	0000 0000	Coefficient C84(15:8) of DAC miniDSP (DAC Buffer A)
41	0000 0000	Coefficient C84(7:0) of DAC miniDSP (DAC Buffer A)
42	0000 0000	Coefficient C85(15:8) of DAC miniDSP (DAC Buffer A)
43	0000 0000	Coefficient C85(7:0) of DAC miniDSP (DAC Buffer A)
44	0000 0000	Coefficient C86(15:8) of DAC miniDSP (DAC Buffer A)
45	0000 0000	Coefficient C86(7:0) of DAC miniDSP (DAC Buffer A)
46	0000 0000	Coefficient C87(15:8) of DAC miniDSP (DAC Buffer A)
47	0000 0000	Coefficient C87(7:0) of DAC miniDSP (DAC Buffer A)
48	0000 0000	Coefficient C88(15:8) of DAC miniDSP (DAC Buffer A)
49	0000 0000	Coefficient C88(7:0) of DAC miniDSP (DAC Buffer A)
50	0000 0000	Coefficient C89(15:8) of DAC miniDSP (DAC Buffer A)
51	0000 0000	Coefficient C89(7:0) of DAC miniDSP (DAC Buffer A)
52	0000 0000	Coefficient C90(15:8) of DAC miniDSP (DAC Buffer A)
53	0000 0000	Coefficient C90(7:0) of DAC miniDSP (DAC Buffer A)
54	0000 0000	Coefficient C91(15:8) of DAC miniDSP (DAC Buffer A)
55	0000 0000	Coefficient C91(7:0) of DAC miniDSP (DAC Buffer A)
56	0000 0000	Coefficient C92(15:8) of DAC miniDSP (DAC Buffer A)

Table 6-7. Page-9 Registers (continued)

REGISTER NUMBER	RESET VALUE	REGISTER NAME
57	0000 0000	Coefficient C92(7:0) of DAC miniDSP (DAC Buffer A)
58	0000 0000	Coefficient C93(15:8) of DAC miniDSP (DAC Buffer A)
59	0000 0000	Coefficient C93(7:0) of DAC miniDSP (DAC Buffer A)
60	0000 0000	Coefficient C94(15:8) of DAC miniDSP (DAC Buffer A)
61	0000 0000	Coefficient C94(7:0) of DAC miniDSP (DAC Buffer A)
62	0000 0000	Coefficient C95(15:8) of DAC miniDSP (DAC Buffer A)
63	0000 0000	Coefficient C95(7:0) of DAC miniDSP (DAC Buffer A)
64	0000 0000	Coefficient C96(15:8) of DAC miniDSP (DAC Buffer A)
65	0000 0000	Coefficient C96(7:0) of DAC miniDSP (DAC Buffer A)
66	0000 0000	Coefficient C97(15:8) of DAC miniDSP (DAC Buffer A)
67	0000 0000	Coefficient C97(7:0) of DAC miniDSP (DAC Buffer A)
68	0000 0000	Coefficient C98(15:8) of DAC miniDSP (DAC Buffer A)
69	0000 0000	Coefficient C98(7:0) of DAC miniDSP (DAC Buffer A)
70	0000 0000	Coefficient C99(15:8) of DAC miniDSP (DAC Buffer A)
71	0000 0000	Coefficient C99(7:0) of DAC miniDSP (DAC Buffer A)
72	0000 0000	Coefficient C100(15:8) of DAC miniDSP (DAC Buffer A)
73	0000 0000	Coefficient C100(7:0) of DAC miniDSP (DAC Buffer A)
74	0000 0000	Coefficient C101(15:8) of DAC miniDSP (DAC Buffer A)
75	0000 0000	Coefficient C101(7:0) of DAC miniDSP (DAC Buffer A)
76	0000 0000	Coefficient C102(15:8) of DAC miniDSP (DAC Buffer A)
77	0000 0000	Coefficient C102(7:0) of DAC miniDSP (DAC Buffer A)
78	0000 0000	Coefficient C103(15:8) of DAC miniDSP (DAC Buffer A)
79	0000 0000	Coefficient C103(7:0) of DAC miniDSP (DAC Buffer A)
80	0000 0000	Coefficient C104(15:8) of DAC miniDSP (DAC Buffer A)
81	0000 0000	Coefficient C104(7:0) of DAC miniDSP (DAC Buffer A)
82	0000 0000	Coefficient C105(15:8) of DAC miniDSP (DAC Buffer A)
83	0000 0000	Coefficient C105(7:0) of DAC miniDSP (DAC Buffer A)
84	0000 0000	Coefficient C106(15:8) of DAC miniDSP (DAC Buffer A)
85	0000 0000	Coefficient C106(7:0) of DAC miniDSP (DAC Buffer A)
86	0000 0000	Coefficient C107(15:8) of DAC miniDSP (DAC Buffer A)
87	0000 0000	Coefficient C107(15:8) of DAC miniDSP (DAC Buffer A)
88	0000 0000	Coefficient C108(7:0) of DAC miniDSP (DAC Buffer A)
89	0000 0000	Coefficient C108(7:0) of DAC miniDSP (DAC Buffer A)
90	0000 0000	Coefficient C109(15:8) of DAC miniDSP (DAC Buffer A)
91	0000 0000	Coefficient C109(7:0) of DAC miniDSP (DAC Buffer A)
92	0000 0000	Coefficient C110(15:8) of DAC miniDSP (DAC Buffer A)
93	0000 0000	Coefficient C110(7:0) of DAC miniDSP (DAC Buffer A)
94	0000 0000	Coefficient C111(15:8) of DAC miniDSP (DAC Buffer A)
95	0000 0000	Coefficient C111(7:0) of DAC miniDSP (DAC Buffer A)
96	0000 0000	Coefficient C112(15:8) of DAC miniDSP (DAC Buffer A)
97	0000 0000	Coefficient C112(7:0) of DAC miniDSP (DAC Buffer A)
98	0000 0000	Coefficient C113(15:8) of DAC miniDSP (DAC Buffer A)
99	0000 0000	Coefficient C113(7:0) of DAC miniDSP (DAC Buffer A)
100	0000 0000	Coefficient C114(15:8) of DAC miniDSP (DAC Buffer A)
101	0000 0000	Coefficient C114(7:0) of DAC miniDSP (DAC Buffer A)
102	0000 0000	Coefficient C115(15:8) of DAC miniDSP (DAC Buffer A)

Table 6-7. Page-9 Registers (continued)

REGISTER NUMBER	RESET VALUE	REGISTER NAME
103	0000 0000	Coefficient C115(7:0) of DAC miniDSP (DAC Buffer A)
104	0000 0000	Coefficient C116(15:8) of DAC miniDSP (DAC Buffer A)
105	0000 0000	Coefficient C116(7:0) of DAC miniDSP (DAC Buffer A)
106	0000 0000	Coefficient C117(15:8) of DAC miniDSP (DAC Buffer A)
107	0000 0000	Coefficient C117(7:0) of DAC miniDSP (DAC Buffer A)
108	0000 0000	Coefficient C118(15:8) of DAC miniDSP (DAC Buffer A)
109	0000 0000	Coefficient C118(7:0) of DAC miniDSP (DAC Buffer A)
110	0000 0000	Coefficient C119(15:8) of DAC miniDSP (DAC Buffer A)
111	0000 0000	Coefficient C119(7:0) of DAC miniDSP (DAC Buffer A)
112	0000 0000	Coefficient C120(15:8) of DAC miniDSP (DAC Buffer A)
113	0000 0000	Coefficient C120(7:0) of DAC miniDSP (DAC Buffer A)
114	0000 0000	Coefficient C121(15:8) of DAC miniDSP (DAC Buffer A)
115	0000 0000	Coefficient C121(7:0) of DAC miniDSP (DAC Buffer A)
116	0000 0000	Coefficient C122(15:8) of DAC miniDSP (DAC Buffer A)
117	0000 0000	Coefficient C122(7:0) of DAC miniDSP (DAC Buffer A)
118	0000 0000	Coefficient C123(15:8) of DAC miniDSP (DAC Buffer A)
119	0000 0000	Coefficient C123(7:0) of DAC miniDSP (DAC Buffer A)
120	0000 0000	Coefficient C124(15:8) of DAC miniDSP (DAC Buffer A)
121	0000 0000	Coefficient C124(7:0) of DAC miniDSP (DAC Buffer A)
122	0000 0000	Coefficient C125(15:8) of DAC miniDSP (DAC Buffer A)
123	0000 0000	Coefficient C125(7:0) of DAC miniDSP (DAC Buffer A)
124	0000 0000	Coefficient C126(15:8) of DAC miniDSP (DAC Buffer A)
125	0000 0000	Coefficient C126(7:0) of DAC miniDSP (DAC Buffer A)
126	0000 0000	Coefficient C127(15:8) of DAC miniDSP (DAC Buffer A)
127	0000 0000	Coefficient C127(7:0) of DAC miniDSP (DAC Buffer A)

6.7 Control Registers, Page 10: DAC Programmable Coefficients RAM Buffer A (129:191)

Table 6-8. Page-10 Registers

REGISTER NUMBER	RESET VALUE	REGISTER NAME
1	XXXX XXXX	Reserved. Do not write to this register.
2	0000 0000	Coefficient C129(15:8) of DAC miniDSP (DAC Buffer A)
3	0000 0000	Coefficient C129(7:0) of DAC miniDSP (DAC Buffer A)
4	0000 0000	Coefficient C130(15:8) of DAC miniDSP (DAC Buffer A)
5	0000 0000	Coefficient C130(7:0) of DAC miniDSP (DAC Buffer A)
6	0000 0000	Coefficient C131(15:8) of DAC miniDSP (DAC Buffer A)
7	0000 0000	Coefficient C131(7:0) of DAC miniDSP (DAC Buffer A)
8	0000 0000	Coefficient C132(15:8) of DAC miniDSP (DAC Buffer A)
9	0000 0000	Coefficient C132(7:0) of DAC miniDSP (DAC Buffer A)
10	0000 0000	Coefficient C133(15:8) of DAC miniDSP (DAC Buffer A)
11	0000 0000	Coefficient C133(7:0) of DAC miniDSP (DAC Buffer A)
12	0000 0000	Coefficient C134(15:8) of DAC miniDSP (DAC Buffer A)
13	0000 0000	Coefficient C134(7:0) of DAC miniDSP (DAC Buffer A)
14	0000 0000	Coefficient C135(15:8) of DAC miniDSP (DAC Buffer A)

Table 6-8. Page-10 Registers (continued)

REGISTER NUMBER	RESET VALUE	REGISTER NAME
15	0000 0000	Coefficient C135(7:0) of DAC miniDSP (DAC Buffer A)
16	0000 0000	Coefficient C136(15:8) of DAC miniDSP (DAC Buffer A)
17	0000 0000	Coefficient C136(7:0) of DAC miniDSP (DAC Buffer A)
18	0000 0000	Coefficient C137(15:8) of DAC miniDSP (DAC Buffer A)
19	0000 0000	Coefficient C137(7:0) of DAC miniDSP (DAC Buffer A)
20	0000 0000	Coefficient C138(15:8) of DAC miniDSP (DAC Buffer A)
21	0000 0000	Coefficient C138(7:0) of DAC miniDSP (DAC Buffer A)
22	0000 0000	Coefficient C139(15:8) of DAC miniDSP (DAC Buffer A)
23	0000 0000	Coefficient C139(7:0) of DAC miniDSP (DAC Buffer A)
24	0000 0000	Coefficient C140(15:8) of DAC miniDSP (DAC Buffer A)
25	0000 0000	Coefficient C140(7:0) of DAC miniDSP (DAC Buffer A)
26	0000 0000	Coefficient C141(15:8) of DAC miniDSP (DAC Buffer A)
27	0000 0000	Coefficient C141(7:0) of DAC miniDSP (DAC Buffer A)
28	0000 0000	Coefficient C142(15:8) of DAC miniDSP (DAC Buffer A)
29	0000 0000	Coefficient C142(7:0) of DAC miniDSP (DAC Buffer A)
30	0000 0000	Coefficient C143(15:8) of DAC miniDSP (DAC Buffer A)
31	0000 0000	Coefficient C143(7:0) of DAC miniDSP (DAC Buffer A)
32	0000 0000	Coefficient C144(15:8) of DAC miniDSP (DAC Buffer A)
33	0000 0000	Coefficient C144(7:0) of DAC miniDSP (DAC Buffer A)
34	0000 0000	Coefficient C145(15:8) of DAC miniDSP (DAC Buffer A)
35	0000 0000	Coefficient C145(7:0) of DAC miniDSP (DAC Buffer A)
36	0000 0000	Coefficient C146(15:8) of DAC miniDSP (DAC Buffer A)
37	0000 0000	Coefficient C146(7:0) of DAC miniDSP (DAC Buffer A)
38	0000 0000	Coefficient C147(15:8) of DAC miniDSP (DAC Buffer A)
39	0000 0000	Coefficient C147(7:0) of DAC miniDSP (DAC Buffer A)
40	0000 0000	Coefficient C148(15:8) of DAC miniDSP (DAC Buffer A)
41	0000 0000	Coefficient C148(7:0) of DAC miniDSP (DAC Buffer A)
42	0000 0000	Coefficient C149(15:8) of DAC miniDSP (DAC Buffer A)
43	0000 0000	Coefficient C149(7:0) of DAC miniDSP (DAC Buffer A)
44	0000 0000	Coefficient C150(15:8) of DAC miniDSP (DAC Buffer A)
45	0000 0000	Coefficient C150(7:0) of DAC miniDSP (DAC Buffer A)
46	0000 0000	Coefficient C151(15:8) of DAC miniDSP (DAC Buffer A)
47	0000 0000	Coefficient C151(7:0) of DAC miniDSP (DAC Buffer A)
48	0000 0000	Coefficient C152(15:8) of DAC miniDSP (DAC Buffer A)
49	0000 0000	Coefficient C152(7:0) of DAC miniDSP (DAC Buffer A)
50	0000 0000	Coefficient C153(15:8) of DAC miniDSP (DAC Buffer A)
51	0000 0000	Coefficient C153(7:0) of DAC miniDSP (DAC Buffer A)
52	0000 0000	Coefficient C154(15:8) of DAC miniDSP (DAC Buffer A)
53	0000 0000	Coefficient C154(7:0) of DAC miniDSP (DAC Buffer A)
54	0000 0000	Coefficient C155(15:8) of DAC miniDSP (DAC Buffer A)
55	0000 0000	Coefficient C155(7:0) of DAC miniDSP (DAC Buffer A)
56	0000 0000	Coefficient C156(15:8) of DAC miniDSP (DAC Buffer A)
57	0000 0000	Coefficient C156(7:0) of DAC miniDSP (DAC Buffer A)
58	0000 0000	Coefficient C157(15:8) of DAC miniDSP (DAC Buffer A)
59	0000 0000	Coefficient C157(7:0) of DAC miniDSP (DAC Buffer A)
60	0000 0000	Coefficient C158(15:8) of DAC miniDSP (DAC Buffer A)

Table 6-8. Page-10 Registers (continued)

REGISTER NUMBER	RESET VALUE	REGISTER NAME
61	0000 0000	Coefficient C158(7:0) of DAC miniDSP (DAC Buffer A)
62	0000 0000	Coefficient C159(15:8) of DAC miniDSP (DAC Buffer A)
63	0000 0000	Coefficient C159(7:0) of DAC miniDSP (DAC Buffer A)
64	0000 0000	Coefficient C160(15:8) of DAC miniDSP (DAC Buffer A)
65	0000 0000	Coefficient C160(7:0) of DAC miniDSP (DAC Buffer A)
66	0000 0000	Coefficient C161(15:8) of DAC miniDSP (DAC Buffer A)
67	0000 0000	Coefficient C161(7:0) of DAC miniDSP (DAC Buffer A)
68	0000 0000	Coefficient C162(15:8) of DAC miniDSP (DAC Buffer A)
69	0000 0000	Coefficient C162(7:0) of DAC miniDSP (DAC Buffer A)
70	0000 0000	Coefficient C163(15:8) of DAC miniDSP (DAC Buffer A)
71	0000 0000	Coefficient C163(7:0) of DAC miniDSP (DAC Buffer A)
72	0000 0000	Coefficient C164(15:8) of DAC miniDSP (DAC Buffer A)
73	0000 0000	Coefficient C164(7:0) of DAC miniDSP (DAC Buffer A)
74	0000 0000	Coefficient C165(15:8) of DAC miniDSP (DAC Buffer A)
75	0000 0000	Coefficient C165(7:0) of DAC miniDSP (DAC Buffer A)
76	0000 0000	Coefficient C166(15:8) of DAC miniDSP (DAC Buffer A)
77	0000 0000	Coefficient C166(7:0) of DAC miniDSP (DAC Buffer A)
78	0000 0000	Coefficient C167(15:8) of DAC miniDSP (DAC Buffer A)
79	0000 0000	Coefficient C167(7:0) of DAC miniDSP (DAC Buffer A)
80	0000 0000	Coefficient C168(15:8) of DAC miniDSP (DAC Buffer A)
81	0000 0000	Coefficient C168(7:0) of DAC miniDSP (DAC Buffer A)
82	0000 0000	Coefficient C169(15:8) of DAC miniDSP (DAC Buffer A)
83	0000 0000	Coefficient C169(7:0) of DAC miniDSP (DAC Buffer A)
84	0000 0000	Coefficient C170(15:8) of DAC miniDSP (DAC Buffer A)
85	0000 0000	Coefficient C170(7:0) of DAC miniDSP (DAC Buffer A)
86	0000 0000	Coefficient C171(15:8) of DAC miniDSP (DAC Buffer A)
87	0000 0000	Coefficient C171(7:0) of DAC miniDSP (DAC Buffer A)
88	0000 0000	Coefficient C172(15:8) of DAC miniDSP (DAC Buffer A)
89	0000 0000	Coefficient C172(7:0) of DAC miniDSP (DAC Buffer A)
90	0000 0000	Coefficient C173(15:8) of DAC miniDSP (DAC Buffer A)
91	0000 0000	Coefficient C173(7:0) of DAC miniDSP (DAC Buffer A)
92	0000 0000	Coefficient C174(15:8) of DAC miniDSP (DAC Buffer A)
93	0000 0000	Coefficient C174(7:0) of DAC miniDSP (DAC Buffer A)
94	0000 0000	Coefficient C175(15:8) of DAC miniDSP (DAC Buffer A)
95	0000 0000	Coefficient C175(7:0) of DAC miniDSP (DAC Buffer A)
96	0000 0000	Coefficient C176(15:8) of DAC miniDSP (DAC Buffer A)
97	0000 0000	Coefficient C176(7:0) of DAC miniDSP (DAC Buffer A)
98	0000 0000	Coefficient C177(15:8) of DAC miniDSP (DAC Buffer A)
99	0000 0000	Coefficient C177(7:0) of DAC miniDSP (DAC Buffer A)
100	0000 0000	Coefficient C178(15:8) of DAC miniDSP (DAC Buffer A)
101	0000 0000	Coefficient C178(7:0) of DAC miniDSP (DAC Buffer A)
102	0000 0000	Coefficient C179(15:8) of DAC miniDSP (DAC Buffer A)
103	0000 0000	Coefficient C179(7:0) of DAC miniDSP (DAC Buffer A)
104	0000 0000	Coefficient C180(15:8) of DAC miniDSP (DAC Buffer A)
105	0000 0000	Coefficient C180(7:0) of DAC miniDSP (DAC Buffer A)
106	0000 0000	Coefficient C181(15:8) of DAC miniDSP (DAC Buffer A)

Table 6-8. Page-10 Registers (continued)

REGISTER NUMBER	RESET VALUE	REGISTER NAME
107	0000 0000	Coefficient C181(7:0) of DAC miniDSP (DAC Buffer A)
108	0000 0000	Coefficient C182(15:8) of DAC miniDSP (DAC Buffer A)
109	0000 0000	Coefficient C182(7:0) of DAC miniDSP (DAC Buffer A)
110	0000 0000	Coefficient C183(15:8) of DAC miniDSP (DAC Buffer A)
111	0000 0000	Coefficient C183(7:0) of DAC miniDSP (DAC Buffer A)
112	0000 0000	Coefficient C184(15:8) of DAC miniDSP (DAC Buffer A)
113	0000 0000	Coefficient C184(7:0) of DAC miniDSP (DAC Buffer A)
114	0000 0000	Coefficient C185(15:8) of DAC miniDSP (DAC Buffer A)
115	0000 0000	Coefficient C185(7:0) of DAC miniDSP (DAC Buffer A)
116	0000 0000	Coefficient C186(15:8) of DAC miniDSP (DAC Buffer A)
117	0000 0000	Coefficient C186(7:0) of DAC miniDSP (DAC Buffer A)
118	0000 0000	Coefficient C187(15:8) of DAC miniDSP (DAC Buffer A)
119	0000 0000	Coefficient C187(7:0) of DAC miniDSP (DAC Buffer A)
120	0000 0000	Coefficient C188(15:8) of DAC miniDSP (DAC Buffer A)
121	0000 0000	Coefficient C188(7:0) of DAC miniDSP (DAC Buffer A)
122	0000 0000	Coefficient C189(15:8) of DAC miniDSP (DAC Buffer A)
123	0000 0000	Coefficient C189(7:0) of DAC miniDSP (DAC Buffer A)
124	0000 0000	Coefficient C190(15:8) of DAC miniDSP (DAC Buffer A)
125	0000 0000	Coefficient C190(7:0) of DAC miniDSP (DAC Buffer A)
126	0000 0000	Coefficient C191(15:8) of DAC miniDSP (DAC Buffer A)
127	0000 0000	Coefficient C191(7:0) of DAC miniDSP (DAC Buffer A)

6.8 Control Registers, Page 11: DAC Programmable Coefficients RAM Buffer A (193:255)**Table 6-9. Page-11 Registers**

REGISTER NUMBER	RESET VALUE	REGISTER NAME
1	XXXX XXXX	Reserved. Do not write to this register.
2	0000 0000	Coefficient C193(15:8) of DAC miniDSP (DAC Buffer A)
3	0000 0000	Coefficient C193(7:0) of DAC miniDSP (DAC Buffer A)
4	0000 0000	Coefficient C194(15:8) of DAC miniDSP (DAC Buffer A)
5	0000 0000	Coefficient C194(7:0) of DAC miniDSP (DAC Buffer A)
6	0000 0000	Coefficient C195(15:8) of DAC miniDSP (DAC Buffer A)
7	0000 0000	Coefficient C195(7:0) of DAC miniDSP (DAC Buffer A)
8	0000 0000	Coefficient C196(15:8) of DAC miniDSP (DAC Buffer A)
9	0000 0000	Coefficient C196(7:0) of DAC miniDSP (DAC Buffer A)
10	0000 0000	Coefficient C197(15:8) of DAC miniDSP (DAC Buffer A)
11	0000 0000	Coefficient C197(7:0) of DAC miniDSP (DAC Buffer A)
12	0000 0000	Coefficient C198(15:8) of DAC miniDSP (DAC Buffer A)
13	0000 0000	Coefficient C198(7:0) of DAC miniDSP (DAC Buffer A)
14	0000 0000	Coefficient C199(15:8) of DAC miniDSP (DAC Buffer A)
15	0000 0000	Coefficient C199(7:0) of DAC miniDSP (DAC Buffer A)
16	0000 0000	Coefficient C200(15:8) of DAC miniDSP (DAC Buffer A)
17	0000 0000	Coefficient C200(7:0) of DAC miniDSP (DAC Buffer A)
18	0000 0000	Coefficient C201(15:8) of DAC miniDSP (DAC Buffer A)

Table 6-9. Page-11 Registers (continued)

REGISTER NUMBER	RESET VALUE	REGISTER NAME
19	0000 0000	Coefficient C201(7:0) of DAC miniDSP (DAC Buffer A)
20	0000 0000	Coefficient C202(15:8) of DAC miniDSP (DAC Buffer A)
21	0000 0000	Coefficient C202(7:0) of DAC miniDSP (DAC Buffer A)
22	0000 0000	Coefficient C203(15:8) of DAC miniDSP (DAC Buffer A)
23	0000 0000	Coefficient C203(7:0) of DAC miniDSP (DAC Buffer A)
24	0000 0000	Coefficient C204(15:8) of DAC miniDSP (DAC Buffer A)
25	0000 0000	Coefficient C204(7:0) of DAC miniDSP (DAC Buffer A)
26	0000 0000	Coefficient C205(15:8) of DAC miniDSP (DAC Buffer A)
27	0000 0000	Coefficient C205(7:0) of DAC miniDSP (DAC Buffer A)
28	0000 0000	Coefficient C206(15:8) of DAC miniDSP (DAC Buffer A)
29	0000 0000	Coefficient C206(7:0) of DAC miniDSP (DAC Buffer A)
30	0000 0000	Coefficient C207(15:8) of DAC miniDSP (DAC Buffer A)
31	0000 0000	Coefficient C207(7:0) of DAC miniDSP (DAC Buffer A)
32	0000 0000	Coefficient C208(15:8) of DAC miniDSP (DAC Buffer A)
33	0000 0000	Coefficient C208(7:0) of DAC miniDSP (DAC Buffer A)
34	0000 0000	Coefficient C209(15:8) of DAC miniDSP (DAC Buffer A)
35	0000 0000	Coefficient C209(7:0) of DAC miniDSP (DAC Buffer A)
36	0000 0000	Coefficient C210(15:8) of DAC miniDSP (DAC Buffer A)
37	0000 0000	Coefficient C210(7:0) of DAC miniDSP (DAC Buffer A)
38	0000 0000	Coefficient C211(15:8) of DAC miniDSP (DAC Buffer A)
39	0000 0000	Coefficient C211(7:0) of DAC miniDSP (DAC Buffer A)
40	0000 0000	Coefficient C212(15:8) of DAC miniDSP (DAC Buffer A)
41	0000 0000	Coefficient C212(7:0) of DAC miniDSP (DAC Buffer A)
42	0000 0000	Coefficient C213(15:8) of DAC miniDSP (DAC Buffer A)
43	0000 0000	Coefficient C213(7:0) of DAC miniDSP (DAC Buffer A)
44	0000 0000	Coefficient C214(15:8) of DAC miniDSP (DAC Buffer A)
45	0000 0000	Coefficient C214(7:0) of DAC miniDSP (DAC Buffer A)
46	0000 0000	Coefficient C215(15:8) of DAC miniDSP (DAC Buffer A)
47	0000 0000	Coefficient C215(7:0) of DAC miniDSP (DAC Buffer A)
48	0000 0000	Coefficient C216(15:8) of DAC miniDSP (DAC Buffer A)
49	0000 0000	Coefficient C216(7:0) of DAC miniDSP (DAC Buffer A)
50	0000 0000	Coefficient C217(15:8) of DAC miniDSP (DAC Buffer A)
51	0000 0000	Coefficient C217(7:0) of DAC miniDSP (DAC Buffer A)
52	0000 0000	Coefficient C218(15:8) of DAC miniDSP (DAC Buffer A)
53	0000 0000	Coefficient C218(7:0) of DAC miniDSP (DAC Buffer A)
54	0000 0000	Coefficient C219(15:8) of DAC miniDSP (DAC Buffer A)
55	0000 0000	Coefficient C219(7:0) of DAC miniDSP (DAC Buffer A)
56	0000 0000	Coefficient C220(15:8) of DAC miniDSP (DAC Buffer A)
57	0000 0000	Coefficient C220(7:0) of DAC miniDSP (DAC Buffer A)
58	0000 0000	Coefficient C221(15:8) of DAC miniDSP (DAC Buffer A)
59	0000 0000	Coefficient C221(7:0) of DAC miniDSP (DAC Buffer A)
60	0000 0000	Coefficient C222(15:8) of DAC miniDSP (DAC Buffer A)
61	0000 0000	Coefficient C222(7:0) of DAC miniDSP (DAC Buffer A)
62	0000 0000	Coefficient C223(15:8) of DAC miniDSP (DAC Buffer A)
63	0000 0000	Coefficient C223(7:0) of DAC miniDSP (DAC Buffer A)
64	0000 0000	Coefficient C224(15:8) of DAC miniDSP (DAC Buffer A)

Table 6-9. Page-11 Registers (continued)

REGISTER NUMBER	RESET VALUE	REGISTER NAME
65	0000 0000	Coefficient C224(7:0) of DAC miniDSP (DAC Buffer A)
66	0000 0000	Coefficient C225(15:8) of DAC miniDSP (DAC Buffer A)
67	0000 0000	Coefficient C225(7:0) of DAC miniDSP (DAC Buffer A)
68	0000 0000	Coefficient C226(15:8) of DAC miniDSP (DAC Buffer A)
69	0000 0000	Coefficient C226(7:0) of DAC miniDSP (DAC Buffer A)
70	0000 0000	Coefficient C227(15:8) of DAC miniDSP (DAC Buffer A)
71	0000 0000	Coefficient C227(7:0) of DAC miniDSP (DAC Buffer A)
72	0000 0000	Coefficient C228(15:8) of DAC miniDSP (DAC Buffer A)
73	0000 0000	Coefficient C228(7:0) of DAC miniDSP (DAC Buffer A)
74	0000 0000	Coefficient C229(15:8) of DAC miniDSP (DAC Buffer A)
75	0000 0000	Coefficient C229(7:0) of DAC miniDSP (DAC Buffer A)
76	0000 0000	Coefficient C230(15:8) of DAC miniDSP (DAC Buffer A)
77	0000 0000	Coefficient C230(7:0) of DAC miniDSP (DAC Buffer A)
78	0000 0000	Coefficient C231(15:8) of DAC miniDSP (DAC Buffer A)
79	0000 0000	Coefficient C231(7:0) of DAC miniDSP (DAC Buffer A)
80	0000 0000	Coefficient C232(15:8) of DAC miniDSP (DAC Buffer A)
81	0000 0000	Coefficient C232(7:0) of DAC miniDSP (DAC Buffer A)
82	0000 0000	Coefficient C233(15:8) of DAC miniDSP (DAC Buffer A)
83	0000 0000	Coefficient C233(7:0) of DAC miniDSP (DAC Buffer A)
84	0000 0000	Coefficient C234(15:8) of DAC miniDSP (DAC Buffer A)
85	0000 0000	Coefficient C234(7:0) of DAC miniDSP (DAC Buffer A)
86	0000 0000	Coefficient C235(15:8) of DAC miniDSP (DAC Buffer A)
87	0000 0000	Coefficient C235(7:0) of DAC miniDSP (DAC Buffer A)
88	0000 0000	Coefficient C236(15:8) of DAC miniDSP (DAC Buffer A)
89	0000 0000	Coefficient C236(7:0) of DAC miniDSP (DAC Buffer A)
90	0000 0000	Coefficient C237(15:8) of DAC miniDSP (DAC Buffer A)
91	0000 0000	Coefficient C237(7:0) of DAC miniDSP (DAC Buffer A)
92	0000 0000	Coefficient C238(15:8) of DAC miniDSP (DAC Buffer A)
93	0000 0000	Coefficient C238(7:0) of DAC miniDSP (DAC Buffer A)
94	0000 0000	Coefficient C239(15:8) of DAC miniDSP (DAC Buffer A)
95	0000 0000	Coefficient C239(7:0) of DAC miniDSP (DAC Buffer A)
96	0000 0000	Coefficient C240(15:8) of DAC miniDSP (DAC Buffer A)
97	0000 0000	Coefficient C240(7:0) of DAC miniDSP (DAC Buffer A)
98	0000 0000	Coefficient C241(15:8) of DAC miniDSP (DAC Buffer A)
99	0000 0000	Coefficient C241(7:0) of DAC miniDSP (DAC Buffer A)
100	0000 0000	Coefficient C242(15:8) of DAC miniDSP (DAC Buffer A)
101	0000 0000	Coefficient C242(7:0) of DAC miniDSP (DAC Buffer A)
102	0000 0000	Coefficient C243(15:8) of DAC miniDSP (DAC Buffer A)
103	0000 0000	Coefficient C243(7:0) of DAC miniDSP (DAC Buffer A)
104	0000 0000	Coefficient C244(15:8) of DAC miniDSP (DAC Buffer A)
105	0000 0000	Coefficient C244(7:0) of DAC miniDSP (DAC Buffer A)
106	0000 0000	Coefficient C245(15:8) of DAC miniDSP (DAC Buffer A)
107	0000 0000	Coefficient C245(7:0) of DAC miniDSP (DAC Buffer A)
108	0000 0000	Coefficient C246(15:8) of DAC miniDSP (DAC Buffer A)
109	0000 0000	Coefficient C246(7:0) of DAC miniDSP (DAC Buffer A)
110	0000 0000	Coefficient C247(15:8) of DAC miniDSP (DAC Buffer A)

Table 6-9. Page-11 Registers (continued)

REGISTER NUMBER	RESET VALUE	REGISTER NAME
111	0000 0000	Coefficient C247(7:0) of DAC miniDSP (DAC Buffer A)
112	0000 0000	Coefficient C248(15:8) of DAC miniDSP (DAC Buffer A)
113	0000 0000	Coefficient C248(7:0) of DAC miniDSP (DAC Buffer A)
114	0000 0000	Coefficient C249(15:8) of DAC miniDSP (DAC Buffer A)
115	0000 0000	Coefficient C249(7:0) of DAC miniDSP (DAC Buffer A)
116	0000 0000	Coefficient C250(15:8) of DAC miniDSP (DAC Buffer A)
117	0000 0000	Coefficient C250(7:0) of DAC miniDSP (DAC Buffer A)
118	0000 0000	Coefficient C251(15:8) of DAC miniDSP (DAC Buffer A)
119	0000 0000	Coefficient C251(7:0) of DAC miniDSP (DAC Buffer A)
120	0000 0000	Coefficient C252(15:8) of DAC miniDSP (DAC Buffer A)
121	0000 0000	Coefficient C252(7:0) of DAC miniDSP (DAC Buffer A)
122	0000 0000	Coefficient C253(15:8) of DAC miniDSP (DAC Buffer A)
123	0000 0000	Coefficient C253(7:0) of DAC miniDSP (DAC Buffer A)
124	0000 0000	Coefficient C254(15:8) of DAC miniDSP (DAC Buffer A)
125	0000 0000	Coefficient C254(7:0) of DAC miniDSP (DAC Buffer A)
126	0000 0000	Coefficient C255(15:8) of DAC miniDSP (DAC Buffer A)
127	0000 0000	Coefficient C255(7:0) of DAC miniDSP (DAC Buffer A)

6.9 Control Registers, Page 12: DAC Programmable Coefficients RAM Buffer B (1:63)
Table 6-10. Page-12 Registers

REGISTER NUMBER	RESET VALUE	REGISTER NAME
1	0000 0000	Reserved. Do not write to this register.
2	0111 1111	Coefficient NO(15:8) for left DAC-programmable biquad A or Coefficient C1(15:8) of DAC miniDSP (DAC Buffer B)
3	1111 1111	Coefficient NO(7:0) for left DAC-programmable biquad A or Coefficient C1(7:0) of DAC miniDSP (DAC Buffer B)
4	0000 0000	Coefficient N1(15:8) for left DAC-programmable biquad A or Coefficient C2(15:8) of DAC miniDSP (DAC Buffer B)
5	0000 0000	Coefficient N1(7:0) for left DAC-programmable biquad A or Coefficient C2(7:0) of DAC miniDSP (DAC Buffer B)
6	0000 0000	Coefficient N2(15:8) for left DAC-programmable biquad A or Coefficient C3(15:8) of DAC miniDSP (DAC Buffer B)
7	0000 0000	Coefficient N2(7:0) for left DAC-programmable biquad A or Coefficient C3(7:0) of DAC miniDSP (DAC Buffer B)
8	0000 0000	Coefficient D1(15:8) for left DAC-programmable biquad A or Coefficient C4(15:8) of DAC miniDSP (DAC Buffer B)
9	0000 0000	Coefficient D1(7:0) for left DAC-programmable biquad A or Coefficient C4(7:0) of DAC miniDSP (DAC Buffer B)
10	0000 0000	Coefficient D2(15:8) for left DAC-programmable biquad A or Coefficient C5(15:8) of DAC miniDSP (DAC Buffer B)
11	0000 0000	Coefficient D2(7:0) for left DAC-programmable biquad A or Coefficient C5(7:0) of DAC miniDSP (DAC Buffer B)
12	0111 1111	Coefficient NO(15:8) for left DAC-programmable biquad B or Coefficient C6(15:8) of DAC miniDSP (DAC Buffer B)
13	1111 1111	Coefficient NO(7:0) for left DAC-programmable biquad B or Coefficient C6(7:0) of DAC miniDSP (DAC Buffer B)

Table 6-10. Page-12 Registers (continued)

REGISTER NUMBER	RESET VALUE	REGISTER NAME
14	0000 0000	Coefficient N1(15:8) for left DAC-programmable biquad B or Coefficient C7(15:8) of DAC miniDSP (DAC Buffer B)
15	0000 0000	Coefficient N1(7:0) for left DAC-programmable biquad B or Coefficient C7(7:0) of DAC miniDSP (DAC Buffer B)
16	0000 0000	Coefficient N2(15:8) for left DAC-programmable biquad B or Coefficient C8(15:8) of DAC miniDSP (DAC Buffer B)
17	0000 0000	Coefficient N2(7:0) for left DAC-programmable biquad B or Coefficient C8(7:0) of DAC miniDSP (DAC Buffer B)
18	0000 0000	Coefficient D1(15:8) for left DAC-programmable biquad B or Coefficient C9(15:8) of DAC miniDSP (DAC Buffer B)
19	0000 0000	Coefficient D1(7:0) for left DAC-programmable biquad B or Coefficient C9(7:0) of DAC miniDSP (DAC Buffer B)
20	0000 0000	Coefficient D2(15:8) for left DAC-programmable biquad B or Coefficient C10(15:8) of DAC miniDSP (DAC Buffer B)
21	0000 0000	Coefficient D2(7:0) for left DAC-programmable biquad B or Coefficient C10(7:0) of DAC miniDSP (DAC Buffer B)
22	0111 1111	Coefficient NO(15:8) for left DAC-programmable biquad C or Coefficient C11(15:8) of DAC miniDSP (DAC Buffer B)
23	1111 1111	Coefficient NO(7:0) for left DAC-programmable biquad C or Coefficient C11(7:0) of DAC miniDSP (DAC Buffer B)
24	0000 0000	Coefficient N1(15:8) for left DAC-programmable biquad C or Coefficient C12(15:8) of DAC miniDSP (DAC Buffer B)
25	0000 0000	Coefficient N1(7:0) for left DAC-programmable biquad C or Coefficient C12(7:0) of DAC miniDSP (DAC Buffer B)
26	0000 0000	Coefficient N2(15:8) for left DAC-programmable biquad C or Coefficient C13(15:8) of DAC miniDSP (DAC Buffer B)
27	0000 0000	Coefficient N2(7:0) for left DAC-programmable biquad C or Coefficient C13(7:0) of DAC miniDSP (DAC Buffer B)
28	0000 0000	Coefficient D1(15:8) for left DAC-programmable biquad C or Coefficient C14(15:8) of DAC miniDSP (DAC Buffer B)
29	0000 0000	Coefficient D1(7:0) for left DAC-programmable biquad C or Coefficient C14(7:0) of DAC miniDSP (DAC Buffer B)
30	0000 0000	Coefficient D2(15:8) for left DAC-programmable biquad C or Coefficient C15(15:8) of DAC miniDSP (DAC Buffer B)
31	0000 0000	Coefficient D2(7:0) for left DAC-programmable biquad C or Coefficient C15(7:0) of DAC miniDSP (DAC Buffer B)
32	0111 1111	Coefficient NO(15:8) for left DAC-programmable biquad D or Coefficient C16(15:8) of DAC miniDSP (DAC Buffer B)
33	1111 1111	Coefficient NO(7:0) for left DAC-programmable biquad D or Coefficient C16(7:0) of DAC miniDSP (DAC Buffer B)
34	0000 0000	Coefficient N1(15:8) for left DAC-programmable biquad D or Coefficient C17(15:8) of DAC miniDSP (DAC Buffer B)
35	0000 0000	Coefficient N1(7:0) for left DAC-programmable biquad D or Coefficient C17(7:0) of DAC miniDSP (DAC Buffer B)
36	0000 0000	Coefficient N2(15:8) for left DAC-programmable biquad D or Coefficient C18(15:8) of DAC miniDSP (DAC Buffer B)
37	0000 0000	Coefficient N2(7:0) for left DAC-programmable biquad D or Coefficient C18(7:0) of DAC miniDSP (DAC Buffer B)
38	0000 0000	Coefficient D1(15:8) for left DAC-programmable biquad D or Coefficient C19(15:8) of DAC miniDSP (DAC Buffer B)
39	0000 0000	Coefficient D1(7:0) for left DAC-programmable biquad D or Coefficient C19(7:0) of DAC miniDSP (DAC Buffer B)
40	0000 0000	Coefficient D2(15:8) for left DAC-programmable biquad D or Coefficient C20(15:8) of DAC miniDSP (DAC Buffer B)

Table 6-10. Page-12 Registers (continued)

REGISTER NUMBER	RESET VALUE	REGISTER NAME
41	0000 0000	Coefficient D2(17:0) for left DAC-programmable biquad D or Coefficient C20(7:0) of DAC miniDSP (DAC Buffer B)
42	0111 1111	Coefficient NO(15:8) for left DAC-programmable biquad E or Coefficient C21(15:8) of DAC miniDSP (DAC Buffer B)
43	1111 1111	Coefficient NO(7:0) for left DAC-programmable biquad E or Coefficient C21(7:0) of DAC miniDSP (DAC Buffer B)
44	0000 0000	Coefficient N1(15:8) for left DAC-programmable biquad E or Coefficient C22(15:8) of DAC miniDSP (DAC Buffer B)
45	0000 0000	Coefficient N1(7:0) for left DAC-programmable biquad E or Coefficient C22(7:0) of DAC miniDSP (DAC Buffer B)
46	0000 0000	Coefficient N2(15:8) for left DAC-programmable biquad E or Coefficient C23(15:8) of DAC miniDSP (DAC Buffer B)
47	0000 0000	Coefficient N2(7:0) for left DAC-programmable biquad E or Coefficient C23(7:0) of DAC miniDSP (DAC Buffer B)
48	0000 0000	Coefficient D1(15:8) for left DAC-programmable biquad E or Coefficient C24(15:8) of DAC miniDSP (DAC Buffer B)
49	0000 0000	Coefficient D1(7:0) for left DAC-programmable biquad E or Coefficient C24(7:0) of DAC miniDSP (DAC Buffer B)
50	0000 0000	Coefficient D2(15:8) for left DAC-programmable biquad E or Coefficient C25(15:8) of DAC miniDSP (DAC Buffer B)
51	0000 0000	Coefficient D2(7:0) for left DAC-programmable biquad E or Coefficient C25(7:0) of DAC miniDSP (DAC Buffer B)
52	0111 1111	Coefficient NO(15:8) for left DAC-programmable biquad F or Coefficient C26(15:8) of DAC miniDSP (DAC Buffer B)
53	1111 1111	Coefficient NO(7:0) for left DAC-programmable biquad F or Coefficient C26(7:0) of DAC miniDSP (DAC Buffer B)
54	0000 0000	Coefficient N1(15:8) for left DAC-programmable biquad F or Coefficient C27(15:8) of DAC miniDSP (DAC Buffer B)
55	0000 0000	Coefficient N1(7:0) for left DAC-programmable biquad F or Coefficient C27(7:0) of DAC miniDSP (DAC Buffer B)
56	0000 0000	Coefficient N2(15:8) for left DAC-programmable biquad F or Coefficient C28(15:8) of DAC miniDSP (DAC Buffer B)
57	0000 0000	Coefficient N2(7:0) for left DAC-programmable biquad F or Coefficient C28(7:0) of DAC miniDSP (DAC Buffer B)
58	0000 0000	Coefficient D1(15:8) for left DAC-programmable biquad F or Coefficient C29(15:8) of DAC miniDSP (DAC Buffer B)
59	0000 0000	Coefficient D1(7:0) for left DAC-programmable biquad F or Coefficient C29(7:0) of DAC miniDSP (DAC Buffer B)
60	0000 0000	Coefficient D2(15:8) for left DAC-programmable biquad F or Coefficient C30(15:8) of DAC miniDSP (DAC Buffer B)
61	0000 0000	Coefficient D2(7:0) for left DAC-programmable biquad F or Coefficient C30(7:0) of DAC miniDSP (DAC Buffer B)
62	0000 0000	Coefficient C31(15:8) of DAC miniDSP (DAC Buffer B)
63	0000 0000	Coefficient C31(7:0) of DAC miniDSP (DAC Buffer B)
64	0000 0000	Coefficient C32(15:8) of DAC miniDSP (DAC Buffer B)– also used for the 3D PGA for PRB_P23, PRB_P24 and PRB_P25
65	0000 0000	Coefficient C32(7:0) of DAC miniDSP (DAC Buffer B) – also used for the 3D PGA for PRB_P23, PRB_P24 and PRB_P25
66	0111 1111	Coefficient NO(15:8) for right DAC-programmable biquad A or Coefficient C33(15:8) of DAC miniDSP (DAC Buffer B)
67	1111 1111	Coefficient NO(7:0) for right DAC-programmable biquad A or Coefficient C33(7:0) of DAC miniDSP (DAC Buffer B)
68	0000 0000	Coefficient N1(15:8) for right DAC-programmable biquad A or Coefficient C34(15:8) of DAC miniDSP (DAC Buffer B)

Table 6-10. Page-12 Registers (continued)

REGISTER NUMBER	RESET VALUE	REGISTER NAME
69	0000 0000	Coefficient N1(7:0) for right DAC-programmable biquad A or Coefficient C34(7:0) of DAC miniDSP (DAC Buffer B)
70	0000 0000	Coefficient N2(15:8) for right DAC-programmable biquad A or Coefficient C35(15:8) of DAC miniDSP (DAC Buffer B)
71	0000 0000	Coefficient N2(7:0) for right DAC-programmable biquad A or Coefficient C35(7:0) of DAC miniDSP (DAC Buffer B)
72	0000 0000	Coefficient D1(15:8) for right DAC-programmable biquad A or Coefficient C36(15:8) of DAC miniDSP (DAC Buffer B)
73	0000 0000	Coefficient D1(7:0) for right DAC-programmable biquad A or Coefficient C36(7:0) of DAC miniDSP (DAC Buffer B)
74	0000 0000	Coefficient D2(15:8) for right DAC-programmable biquad A or Coefficient C37(15:8) of DAC miniDSP (DAC Buffer B)
75	0000 0000	Coefficient D2(7:0) for right DAC-programmable biquad A or Coefficient C37(7:0) of DAC miniDSP (DAC Buffer B)
76	0111 1111	Coefficient NO(15:8) for right DAC-programmable biquad B or Coefficient C38(15:8) of DAC miniDSP (DAC Buffer B)
77	1111 1111	Coefficient NO(7:0) for right DAC-programmable biquad B or Coefficient C38(7:0) of DAC miniDSP (DAC Buffer B)
78	0000 0000	Coefficient N1(15:8) for right DAC-programmable biquad B or Coefficient C39(15:8) of DAC miniDSP (DAC Buffer B)
79	0000 0000	Coefficient N1(7:0) for right DAC-programmable biquad B or Coefficient C39(7:0) of DAC miniDSP (DAC Buffer B)
80	0000 0000	Coefficient N2(15:8) for right DAC-programmable biquad B or Coefficient C40(15:8) of DAC miniDSP (DAC Buffer B)
81	0000 0000	Coefficient N2(7:0) for right DAC-programmable biquad B or Coefficient C40(7:0) of DAC miniDSP (DAC Buffer B)
82	0000 0000	Coefficient D1(15:8) for right DAC-programmable biquad B or Coefficient C41(15:8) of DAC miniDSP (DAC Buffer B)
83	0000 0000	Coefficient D1(7:0) for right DAC-programmable biquad B or Coefficient C41(7:0) of DAC miniDSP (DAC Buffer B)
84	0000 0000	Coefficient D2(15:8) for right DAC-programmable biquad B or Coefficient C42(15:8) of DAC miniDSP (DAC Buffer B)
85	0000 0000	Coefficient D2(7:0) for right DAC-programmable biquad B or Coefficient C42(7:0) of DAC miniDSP (DAC Buffer B)
86	0111 1111	Coefficient NO(15:8) for right DAC-programmable biquad C or Coefficient C43(15:8) of DAC miniDSP (DAC Buffer B)
87	1111 1111	Coefficient NO(7:0) for right DAC-programmable biquad C or Coefficient C43(7:0) of DAC miniDSP (DAC Buffer B)
88	0000 0000	Coefficient N1(15:8) for right DAC-programmable biquad C or Coefficient C44(15:8) of DAC miniDSP (DAC Buffer B)
89	0000 0000	Coefficient N1(7:0) for right DAC-programmable biquad C or Coefficient C44(7:0) of DAC miniDSP (DAC Buffer B)
90	0000 0000	Coefficient N2(15:8) for right DAC-programmable biquad C or Coefficient C45(15:8) of DAC miniDSP (DAC Buffer B)
91	0000 0000	Coefficient N2(7:0) for right DAC-programmable biquad C or Coefficient C45(7:0) of DAC miniDSP (DAC Buffer B)
92	0000 0000	Coefficient D1(15:8) for right DAC-programmable biquad C or Coefficient C46(15:8) of DAC miniDSP (DAC Buffer B)
93	0000 0000	Coefficient D1(7:0) for right DAC-programmable biquad C or Coefficient C46(7:0) of DAC miniDSP (DAC Buffer B)
94	0000 0000	Coefficient D2(15:8) for right DAC-programmable biquad C or Coefficient C47(15:8) of DAC miniDSP (DAC Buffer B)
95	0000 0000	Coefficient D2(7:0) for right DAC-programmable biquad C or Coefficient C47(7:0) of DAC miniDSP (DAC Buffer B)

Table 6-10. Page-12 Registers (continued)

REGISTER NUMBER	RESET VALUE	REGISTER NAME
96	0111 1111	Coefficient NO(15:8) for right DAC-programmable biquad D or Coefficient C48(15:8) of DAC miniDSP (DAC Buffer B)
97	1111 1111	Coefficient NO(7:0) for right DAC-programmable biquad D or Coefficient C48(7:0) of DAC miniDSP (DAC Buffer B)
98	0000 0000	Coefficient N1(15:8) for right DAC-programmable biquad D or Coefficient C49(15:8) of DAC miniDSP (DAC Buffer B)
99	0000 0000	Coefficient N1(7:0) for right DAC-programmable biquad D or Coefficient C49(7:0) of DAC miniDSP (DAC Buffer B)
100	0000 0000	Coefficient N2(15:8) for right DAC-programmable biquad D or Coefficient C50(15:8) of DAC miniDSP (DAC Buffer B)
101	0000 0000	Coefficient N2(7:0) for right DAC-programmable biquad D or Coefficient C50(7:0) of DAC miniDSP (DAC Buffer B)
102	0000 0000	Coefficient D1(15:8) for right DAC-programmable biquad D or Coefficient C51(15:8) of DAC miniDSP (DAC Buffer B)
103	0000 0000	Coefficient D1(7:0) for right DAC-programmable biquad D or Coefficient C51(7:0) of DAC miniDSP (DAC Buffer B)
104	0000 0000	Coefficient D2(15:8) for right DAC-programmable biquad D or Coefficient C52(15:8) of DAC miniDSP (DAC Buffer B)
105	0000 0000	Coefficient D2(7:0) for right DAC-programmable biquad D or Coefficient C52(7:0) of DAC miniDSP (DAC Buffer B)
106	0111 1111	Coefficient NO(15:8) for right DAC-programmable biquad E or Coefficient C53(15:8) of DAC miniDSP (DAC Buffer B)
107	1111 1111	Coefficient NO(7:0) for right DAC-programmable biquad E or Coefficient C53(7:0) of DAC miniDSP (DAC Buffer B)
108	0000 0000	Coefficient N1(15:8) for right DAC-programmable biquad E or Coefficient C54(15:8) of DAC miniDSP (DAC Buffer B)
109	0000 0000	Coefficient N1(7:0) for right DAC-programmable biquad E or Coefficient C54(7:0) of DAC miniDSP (DAC Buffer B)
110	0000 0000	Coefficient N2(15:8) for right DAC-programmable biquad E or Coefficient C55(15:8) of DAC miniDSP (DAC Buffer B)
111	0000 0000	Coefficient N2(7:0) for right DAC-programmable biquad E or Coefficient C55(7:0) of DAC miniDSP (DAC Buffer B)
112	0000 0000	Coefficient D1(15:8) for right DAC-programmable biquad E or Coefficient C56(15:8) of DAC miniDSP (DAC Buffer B)
113	0000 0000	Coefficient D1(7:0) for right DAC-programmable biquad E or Coefficient C56(7:0) of DAC miniDSP (DAC Buffer B)
114	0000 0000	Coefficient ND2(15:8) for right DAC-programmable biquad E or Coefficient C57(15:8) of DAC miniDSP (DAC Buffer B)
115	0000 0000	Coefficient ND2(7:0) for right DAC-programmable biquad E or Coefficient C57(7:0) of DAC miniDSP (DAC Buffer B)
116	0111 1111	Coefficient NO(15:8) for right DAC-programmable biquad F or Coefficient C58(15:8) of DAC miniDSP (DAC Buffer B)
117	1111 1111	Coefficient NO(7:0) for right DAC-programmable biquad F or Coefficient C58(7:0) of DAC miniDSP (DAC Buffer B)
118	0000 0000	Coefficient N1(15:8) for right DAC-programmable biquad F or Coefficient C59(15:8) of DAC miniDSP (DAC Buffer B)
119	0000 0000	Coefficient N1(7:0) for right DAC-programmable biquad F or Coefficient C59(7:0) of DAC miniDSP (DAC Buffer B)
120	0000 0000	Coefficient N2(15:8) for right DAC-programmable biquad F or Coefficient C60(15:8) of DAC miniDSP (DAC Buffer B)
121	0000 0000	Coefficient N2(7:0) for right DAC-programmable biquad F or Coefficient C60(7:0) of DAC miniDSP (DAC Buffer B)
122	0000 0000	Coefficient D1(15:8) for right DAC-programmable biquad F or Coefficient C61(15:8) of DAC miniDSP (DAC Buffer B)

Table 6-10. Page-12 Registers (continued)

REGISTER NUMBER	RESET VALUE	REGISTER NAME
123	0000 0000	Coefficient D1(7:0) for right DAC-programmable biquad F or Coefficient C61(7:0) of DAC miniDSP (DAC Buffer B)
124	0000 0000	Coefficient D2(15:8) for right DAC-programmable biquad F or Coefficient C62(15:8) of DAC miniDSP (DAC Buffer B)
125	0000 0000	Coefficient D2(7:0) for right DAC-programmable biquad F or Coefficient C62(7:0) of DAC miniDSP (DAC Buffer B)
126	0000 0000	Coefficient C63(15:8) of DAC miniDSP (DAC Buffer B)
127	0000 0000	Coefficient C63(7:0) of DAC miniDSP (DAC Buffer B)

6.10 Control Registers, Page 13: DAC Programmable Coefficients RAM Buffer B (65:127)**Table 6-11. Page-13 Registers**

REGISTER NUMBER	RESET VALUE	REGISTER NAME
1	0000 0000	Reserved. Do not write to this register.
2	0111 1111	Coefficient N0(15:8) for left DAC-programmable first-order IIR or Coefficient C65(15:8) of DAC miniDSP (DAC Buffer B)
3	1111 1111	Coefficient N0(7:0) for left DAC-programmable first-order IIR or Coefficient C65(7:0) of DAC miniDSP (DAC Buffer B)
4	0000 0000	Coefficient N1(15:8) for left DAC-programmable first-order IIR or Coefficient C66(15:8) of DAC miniDSP (DAC Buffer B)
5	0000 0000	Coefficient N1(7:0) for left DAC-programmable first-order IIR or Coefficient C66(7:0) of DAC miniDSP (DAC Buffer B)
6	0000 0000	Coefficient D1(15:8) for left DAC-programmable first-order IIR or Coefficient C67(15:8) of DAC miniDSP (DAC Buffer B)
7	0000 0000	Coefficient D1(7:0) for left DAC-programmable first-order IIR or Coefficient C67(7:0) of DAC miniDSP (DAC Buffer B)
8	0111 1111	Coefficient N0(15:8) for right DAC-programmable first-order IIR or Coefficient C68(15:8) of DAC miniDSP (DAC Buffer B)
9	1111 1111	Coefficient N0(7:0) for right DAC-programmable first-order IIR or Coefficient C68(7:0) of DAC miniDSP (DAC Buffer B)
10	0000 0000	Coefficient N1(15:8) for right DAC-programmable first-order IIR or Coefficient C69(15:8) of DAC miniDSP (DAC Buffer B)
11	0000 0000	Coefficient N1(7:0) for right DAC-programmable first-order IIR or Coefficient C69(7:0) of DAC miniDSP (DAC Buffer B)
12	0000 0000	Coefficient D1(15:8) for right DAC-programmable first-order IIR or Coefficient C70(15:8) of DAC miniDSP (DAC Buffer B)
13	0000 0000	Coefficient D1(7:0) for right DAC-programmable first-order IIR or Coefficient C70(7:0) of DAC miniDSP (DAC Buffer B)
14	0111 1111	Coefficient N0(15:8) for DRC first-order high-pass filter or Coefficient C71(15:8) of DAC miniDSP (DAC Buffer B)
15	1111 0111	Coefficient N0(7:0) for DRC first-order high-pass filter or Coefficient C71(7:0) of DAC miniDSP (DAC Buffer B)
16	1000 0000	Coefficient N1(15:8) for DRC first-order high-pass filter or Coefficient C72(15:8) of DAC miniDSP (DAC Buffer B)
17	0000 1001	Coefficient N1(7:0) for DRC first-order high-pass filter or Coefficient C72(7:0) of DAC miniDSP (DAC Buffer B)
18	0111 1111	Coefficient D1(15:8) for DRC first-order high-pass filter or Coefficient C73(15:8) of DAC miniDSP (DAC Buffer B)
19	1110 1111	Coefficient D1(7:0) for DRC first-order high-pass filter or Coefficient C73(7:0) of DAC miniDSP (DAC Buffer B)

Table 6-11. Page-13 Registers (continued)

REGISTER NUMBER	RESET VALUE	REGISTER NAME
20	0000 0000	Coefficient N0(15:8) for DRC first-order low-pass filter or Coefficient C74(15:8) of DAC miniDSP (DAC Buffer B)
21	0001 0001	Coefficient N0(7:0) for DRC first-order low-pass filter or Coefficient C74(7:0) of DAC miniDSP (DAC Buffer B)
22	0000 0000	Coefficient N1(15:8) for DRC first-order low-pass filter or Coefficient C75(15:8) of DAC miniDSP (DAC Buffer B)
23	0001 0001	Coefficient N1(7:0) for DRC first-order low-pass filter or Coefficient C75(7:0) of DAC miniDSP (DAC Buffer B)
24	0111 1111	Coefficient D1(15:8) for DRC first-order low-pass filter or Coefficient C76(15:8) of DAC miniDSP (DAC Buffer B)
25	1101 1110	Coefficient D1(7:0) for DRC first-order low-pass filter or Coefficient C76(7:0) of DAC miniDSP (DAC Buffer B)
26	0000 0000	Coefficient C77(15:8) of DAC miniDSP (DAC Buffer B)
27	0000 0000	Coefficient C77(7:0) of DAC miniDSP (DAC Buffer B)
28	0000 0000	Coefficient C78(15:8) of DAC miniDSP (DAC Buffer B)
29	0000 0000	Coefficient C78(7:0) of DAC miniDSP (DAC Buffer B)
30	0000 0000	Coefficient C79(15:8) of DAC miniDSP (DAC Buffer B)
31	0000 0000	Coefficient C79(7:0) of DAC miniDSP (DAC Buffer B)
32	0000 0000	Coefficient C80(15:8) of DAC miniDSP (DAC Buffer B)
33	0000 0000	Coefficient C80(7:0) of DAC miniDSP (DAC Buffer B)
34	0000 0000	Coefficient C81(15:8) of DAC miniDSP (DAC Buffer B)
35	0000 0000	Coefficient C81(7:0) of DAC miniDSP (DAC Buffer B)
36	0000 0000	Coefficient C82(15:8) of DAC miniDSP (DAC Buffer B)
37	0000 0000	Coefficient C82(7:0) of DAC miniDSP (DAC Buffer B)
38	0000 0000	Coefficient C83(15:8) of DAC miniDSP (DAC Buffer B)
39	0000 0000	Coefficient C83(7:0) of DAC miniDSP (DAC Buffer B)
40	0000 0000	Coefficient C84(15:8) of DAC miniDSP (DAC Buffer B)
41	0000 0000	Coefficient C84(7:0) of DAC miniDSP (DAC Buffer B)
42	0000 0000	Coefficient C85(15:8) of DAC miniDSP (DAC Buffer B)
43	0000 0000	Coefficient C85(7:0) of DAC miniDSP (DAC Buffer B)
44	0000 0000	Coefficient C86(15:8) of DAC miniDSP (DAC Buffer B)
45	0000 0000	Coefficient C86(7:0) of DAC miniDSP (DAC Buffer B)
46	0000 0000	Coefficient C87(15:8) of DAC miniDSP (DAC Buffer B)
47	0000 0000	Coefficient C87(7:0) of DAC miniDSP (DAC Buffer B)
48	0000 0000	Coefficient C88(15:8) of DAC miniDSP (DAC Buffer B)
49	0000 0000	Coefficient C88(7:0) of DAC miniDSP (DAC Buffer B)
50	0000 0000	Coefficient C89(15:8) of DAC miniDSP (DAC Buffer B)
51	0000 0000	Coefficient C89(7:0) of DAC miniDSP (DAC Buffer B)
52	0000 0000	Coefficient C90(15:8) of DAC miniDSP (DAC Buffer B)
53	0000 0000	Coefficient C90(7:0) of DAC miniDSP (DAC Buffer B)
54	0000 0000	Coefficient C91(15:8) of DAC miniDSP (DAC Buffer B)
55	0000 0000	Coefficient C91(7:0) of DAC miniDSP (DAC Buffer B)
56	0000 0000	Coefficient C92(15:8) of DAC miniDSP (DAC Buffer B)
57	0000 0000	Coefficient C92(7:0) of DAC miniDSP (DAC Buffer B)
58	0000 0000	Coefficient C93(15:8) of DAC miniDSP (DAC Buffer B)
59	0000 0000	Coefficient C93(7:0) of DAC miniDSP (DAC Buffer B)
60	0000 0000	Coefficient C94(15:8) of DAC miniDSP (DAC Buffer B)
61	0000 0000	Coefficient C94(7:0) of DAC miniDSP (DAC Buffer B)

Table 6-11. Page-13 Registers (continued)

REGISTER NUMBER	RESET VALUE	REGISTER NAME
62	0000 0000	Coefficient C95(15:8) of DAC miniDSP (DAC Buffer B)
63	0000 0000	Coefficient C95(7:0) of DAC miniDSP (DAC Buffer B)
64	0000 0000	Coefficient C96(15:8) of DAC miniDSP (DAC Buffer B)
65	0000 0000	Coefficient C96(7:0) of DAC miniDSP (DAC Buffer B)
66	0000 0000	Coefficient C97(15:8) of DAC miniDSP (DAC Buffer B)
67	0000 0000	Coefficient C97(7:0) of DAC miniDSP (DAC Buffer B)
68	0000 0000	Coefficient C98(15:8) of DAC miniDSP (DAC Buffer B)
69	0000 0000	Coefficient C98(7:0) of DAC miniDSP (DAC Buffer B)
70	0000 0000	Coefficient C99(15:8) of DAC miniDSP (DAC Buffer B)
71	0000 0000	Coefficient C99(7:0) of DAC miniDSP (DAC Buffer B)
72	0000 0000	Coefficient C100(15:8) of DAC miniDSP (DAC Buffer B)
73	0000 0000	Coefficient C100(7:0) of DAC miniDSP (DAC Buffer B)
74	0000 0000	Coefficient C101(15:8) of DAC miniDSP (DAC Buffer B)
75	0000 0000	Coefficient C101(7:0) of DAC miniDSP (DAC Buffer B)
76	0000 0000	Coefficient C102(15:8) of DAC miniDSP (DAC Buffer B)
77	0000 0000	Coefficient C102(7:0) of DAC miniDSP (DAC Buffer B)
78	0000 0000	Coefficient C103(15:8) of DAC miniDSP (DAC Buffer B)
79	0000 0000	Coefficient C103(7:0) of DAC miniDSP (DAC Buffer B)
80	0000 0000	Coefficient C104(15:8) of DAC miniDSP (DAC Buffer B)
81	0000 0000	Coefficient C104(7:0) of DAC miniDSP (DAC Buffer B)
82	0000 0000	Coefficient C105(15:8) of DAC miniDSP (DAC Buffer B)
83	0000 0000	Coefficient C105(7:0) of DAC miniDSP (DAC Buffer B)
84	0000 0000	Coefficient C106(15:8) of DAC miniDSP (DAC Buffer B)
85	0000 0000	Coefficient C106(7:0) of DAC miniDSP (DAC Buffer B)
86	0000 0000	Coefficient C107(15:8) of DAC miniDSP (DAC Buffer B)
87	0000 0000	Coefficient C107(7:0) of DAC miniDSP (DAC Buffer B)
88	0000 0000	Coefficient C108(15:8) of DAC miniDSP (DAC Buffer B)
89	0000 0000	Coefficient C108(7:0) of DAC miniDSP (DAC Buffer B)
90	0000 0000	Coefficient C109(15:8) of DAC miniDSP (DAC Buffer B)
91	0000 0000	Coefficient C109(7:0) of DAC miniDSP (DAC Buffer B)
92	0000 0000	Coefficient C110(15:8) of DAC miniDSP (DAC Buffer B)
93	0000 0000	Coefficient C110(7:0) of DAC miniDSP (DAC Buffer B)
94	0000 0000	Coefficient C111(15:8) of DAC miniDSP (DAC Buffer B)
95	0000 0000	Coefficient C111(7:0) of DAC miniDSP (DAC Buffer B)
96	0000 0000	Coefficient C112(15:8) of DAC miniDSP (DAC Buffer B)
97	0000 0000	Coefficient C112(7:0) of DAC miniDSP (DAC Buffer B)
98	0000 0000	Coefficient C113(15:8) of DAC miniDSP (DAC Buffer B)
99	0000 0000	Coefficient C113(7:0) of DAC miniDSP (DAC Buffer B)
100	0000 0000	Coefficient C114(15:8) of DAC miniDSP (DAC Buffer B)
101	0000 0000	Coefficient C114(7:0) of DAC miniDSP (DAC Buffer B)
102	0000 0000	Coefficient C115(15:8) of DAC miniDSP (DAC Buffer B)
103	0000 0000	Coefficient C116(7:0) of DAC miniDSP (DAC Buffer B)
104	0000 0000	Coefficient C117(15:8) of DAC miniDSP (DAC Buffer B)
105	0000 0000	Coefficient C117(7:0) of DAC miniDSP (DAC Buffer B)
106	0000 0000	Coefficient C118(15:8) of DAC miniDSP (DAC Buffer B)
107	0000 0000	Coefficient C118(7:0) of DAC miniDSP (DAC Buffer B)

Table 6-11. Page-13 Registers (continued)

REGISTER NUMBER	RESET VALUE	REGISTER NAME
108	0000 0000	Coefficient C119(15:8) of DAC miniDSP (DAC Buffer B)
109	0000 0000	Coefficient C119(7:0) of DAC miniDSP (DAC Buffer B)
110	0000 0000	Coefficient C120(15:8) of DAC miniDSP (DAC Buffer B)
111	0000 0000	Coefficient C120(7:0) of DAC miniDSP (DAC Buffer B)
112	0000 0000	Coefficient C121(15:8) of DAC miniDSP (DAC Buffer B)
113	0000 0000	Coefficient C121(7:0) of DAC miniDSP (DAC Buffer B)
114	0000 0000	Coefficient C122(15:8) of DAC miniDSP (DAC Buffer B)
115	0000 0000	Coefficient C122(7:0) of DAC miniDSP (DAC Buffer B)
116	0000 0000	Coefficient C123(15:8) of DAC miniDSP (DAC Buffer B)
117	0000 0000	Coefficient C123(7:0) of DAC miniDSP (DAC Buffer B)
118	0000 0000	Coefficient C123(15:8) of DAC miniDSP (DAC Buffer B)
119	0000 0000	Coefficient C123(7:0) of DAC miniDSP (DAC Buffer B)
120	0000 0000	Coefficient C124(15:8) of DAC miniDSP (DAC Buffer B)
121	0000 0000	Coefficient C124(7:0) of DAC miniDSP (DAC Buffer B)
122	0000 0000	Coefficient C125(15:8) of DAC miniDSP (DAC Buffer B)
123	0000 0000	Coefficient C125(7:0) of DAC miniDSP (DAC Buffer B)
124	0000 0000	Coefficient C126(15:8) of DAC miniDSP (DAC Buffer B)
125	0000 0000	Coefficient C126(7:0) of DAC miniDSP (DAC Buffer B)
126	0000 0000	Coefficient C127(15:8) of DAC miniDSP (DAC Buffer B)
127	0000 0000	Coefficient C127(7:0) of DAC miniDSP (DAC Buffer B)

6.11 Control Registers, Page 14: DAC Programmable Coefficients RAM Buffer B (129:191)
Table 6-12. Page-14 Registers

REGISTER NUMBER	RESET VALUE	REGISTER NAME
1	XXXX XXXX	Reserved. Do not write to this register.
2	0000 0000	Coefficient C129(15:8) of DAC miniDSP (DAC Buffer B)
3	0000 0000	Coefficient C129(7:0) of DAC miniDSP (DAC Buffer B)
4	0000 0000	Coefficient C130(15:8) of DAC miniDSP (DAC Buffer B)
5	0000 0000	Coefficient C130(7:0) of DAC miniDSP (DAC Buffer B)
6	0000 0000	Coefficient C131(15:8) of DAC miniDSP (DAC Buffer B)
7	0000 0000	Coefficient C131(7:0) of DAC miniDSP (DAC Buffer B)
8	0000 0000	Coefficient C132(15:8) of DAC miniDSP (DAC Buffer B)
9	0000 0000	Coefficient C132(7:0) of DAC miniDSP (DAC Buffer B)
10	0000 0000	Coefficient C133(15:8) of DAC miniDSP (DAC Buffer B)
11	0000 0000	Coefficient C133(7:0) of DAC miniDSP (DAC Buffer B)
12	0000 0000	Coefficient C134(15:8) of DAC miniDSP (DAC Buffer B)
13	0000 0000	Coefficient C134(7:0) of DAC miniDSP (DAC Buffer B)
14	0000 0000	Coefficient C135(15:8) of DAC miniDSP (DAC Buffer B)
15	0000 0000	Coefficient C135(7:0) of DAC miniDSP (DAC Buffer B)
16	0000 0000	Coefficient C136(15:8) of DAC miniDSP (DAC Buffer B)
17	0000 0000	Coefficient C136(7:0) of DAC miniDSP (DAC Buffer B)
18	0000 0000	Coefficient C137(15:8) of DAC miniDSP (DAC Buffer B)
19	0000 0000	Coefficient C137(7:0) of DAC miniDSP (DAC Buffer B)

Table 6-12. Page-14 Registers (continued)

REGISTER NUMBER	RESET VALUE	REGISTER NAME
20	0000 0000	Coefficient C138(15:8) of DAC miniDSP (DAC Buffer B)
21	0000 0000	Coefficient C138(7:0) of DAC miniDSP (DAC Buffer B)
22	0000 0000	Coefficient C139(15:8) of DAC miniDSP (DAC Buffer B)
23	0000 0000	Coefficient C139(7:0) of DAC miniDSP (DAC Buffer B)
24	0000 0000	Coefficient C140(15:8) of DAC miniDSP (DAC Buffer B)
25	0000 0000	Coefficient C140(7:0) of DAC miniDSP (DAC Buffer B)
26	0000 0000	Coefficient C141(15:8) of DAC miniDSP (DAC Buffer B)
27	0000 0000	Coefficient C141(7:0) of DAC miniDSP (DAC Buffer B)
28	0000 0000	Coefficient C142(15:8) of DAC miniDSP (DAC Buffer B)
29	0000 0000	Coefficient C142(7:0) of DAC miniDSP (DAC Buffer B)
30	0000 0000	Coefficient C143(15:8) of DAC miniDSP (DAC Buffer B)
31	0000 0000	Coefficient C143(7:0) of DAC miniDSP (DAC Buffer B)
32	0000 0000	Coefficient C144(15:8) of DAC miniDSP (DAC Buffer B)
33	0000 0000	Coefficient C144(7:0) of DAC miniDSP (DAC Buffer B)
34	0000 0000	Coefficient C145(15:8) of DAC miniDSP (DAC Buffer B)
35	0000 0000	Coefficient C145(7:0) of DAC miniDSP (DAC Buffer B)
36	0000 0000	Coefficient C146(15:8) of DAC miniDSP (DAC Buffer B)
37	0000 0000	Coefficient C146(7:0) of DAC miniDSP (DAC Buffer B)
38	0000 0000	Coefficient C147(15:8) of DAC miniDSP (DAC Buffer B)
39	0000 0000	Coefficient C147(7:0) of DAC miniDSP (DAC Buffer B)
40	0000 0000	Coefficient C148(15:8) of DAC miniDSP (DAC Buffer B)
41	0000 0000	Coefficient C148(7:0) of DAC miniDSP (DAC Buffer B)
42	0000 0000	Coefficient C149(15:8) of DAC miniDSP (DAC Buffer B)
43	0000 0000	Coefficient C149(7:0) of DAC miniDSP (DAC Buffer B)
44	0000 0000	Coefficient C150(15:8) of DAC miniDSP (DAC Buffer B)
45	0000 0000	Coefficient C150(7:0) of DAC miniDSP (DAC Buffer B)
46	0000 0000	Coefficient C151(15:8) of DAC miniDSP (DAC Buffer B)
47	0000 0000	Coefficient C151(7:0) of DAC miniDSP (DAC Buffer B)
48	0000 0000	Coefficient C152(15:8) of DAC miniDSP (DAC Buffer B)
49	0000 0000	Coefficient C152(7:0) of DAC miniDSP (DAC Buffer B)
50	0000 0000	Coefficient C153(15:8) of DAC miniDSP (DAC Buffer B)
51	0000 0000	Coefficient C153(7:0) of DAC miniDSP (DAC Buffer B)
52	0000 0000	Coefficient C154(15:8) of DAC miniDSP (DAC Buffer B)
53	0000 0000	Coefficient C154(7:0) of DAC miniDSP (DAC Buffer B)
54	0000 0000	Coefficient C155(15:8) of DAC miniDSP (DAC Buffer B)
55	0000 0000	Coefficient C155(7:0) of DAC miniDSP (DAC Buffer B)
56	0000 0000	Coefficient C156(15:8) of DAC miniDSP (DAC Buffer B)
57	0000 0000	Coefficient C156(7:0) of DAC miniDSP (DAC Buffer B)
58	0000 0000	Coefficient C157(15:8) of DAC miniDSP (DAC Buffer B)
59	0000 0000	Coefficient C157(7:0) of DAC miniDSP (DAC Buffer B)
60	0000 0000	Coefficient C158(15:8) of DAC miniDSP (DAC Buffer B)
61	0000 0000	Coefficient C158(7:0) of DAC miniDSP (DAC Buffer B)
62	0000 0000	Coefficient C159(15:8) of DAC miniDSP (DAC Buffer B)
63	0000 0000	Coefficient C159(7:0) of DAC miniDSP (DAC Buffer B)
64	0000 0000	Coefficient C160(15:8) of DAC miniDSP (DAC Buffer B)
65	0000 0000	Coefficient C160(7:0) of DAC miniDSP (DAC Buffer B)

Table 6-12. Page-14 Registers (continued)

REGISTER NUMBER	RESET VALUE	REGISTER NAME
66	0000 0000	Coefficient C161(15:8) of DAC miniDSP (DAC Buffer B)
67	0000 0000	Coefficient C161(7:0) of DAC miniDSP (DAC Buffer B)
68	0000 0000	Coefficient C162(15:8) of DAC miniDSP (DAC Buffer B)
69	0000 0000	Coefficient C162(7:0) of DAC miniDSP (DAC Buffer B)
70	0000 0000	Coefficient C163(15:8) of DAC miniDSP (DAC Buffer B)
71	0000 0000	Coefficient C163(7:0) of DAC miniDSP (DAC Buffer B)
72	0000 0000	Coefficient C164(15:8) of DAC miniDSP (DAC Buffer B)
73	0000 0000	Coefficient C164(7:0) of DAC miniDSP (DAC Buffer B)
74	0000 0000	Coefficient C165(15:8) of DAC miniDSP (DAC Buffer B)
75	0000 0000	Coefficient C165(7:0) of DAC miniDSP (DAC Buffer B)
76	0000 0000	Coefficient C166(15:8) of DAC miniDSP (DAC Buffer B)
77	0000 0000	Coefficient C166(7:0) of DAC miniDSP (DAC Buffer B)
78	0000 0000	Coefficient C167(15:8) of DAC miniDSP (DAC Buffer B)
79	0000 0000	Coefficient C167(7:0) of DAC miniDSP (DAC Buffer B)
80	0000 0000	Coefficient C168(15:8) of DAC miniDSP (DAC Buffer B)
81	0000 0000	Coefficient C168(7:0) of DAC miniDSP (DAC Buffer B)
82	0000 0000	Coefficient C169(15:8) of DAC miniDSP (DAC Buffer B)
83	0000 0000	Coefficient C169(7:0) of DAC miniDSP (DAC Buffer B)
84	0000 0000	Coefficient C170(15:8) of DAC miniDSP (DAC Buffer B)
85	0000 0000	Coefficient C170(7:0) of DAC miniDSP (DAC Buffer B)
86	0000 0000	Coefficient C171(15:8) of DAC miniDSP (DAC Buffer B)
87	0000 0000	Coefficient C171(7:0) of DAC miniDSP (DAC Buffer B)
88	0000 0000	Coefficient C172(15:8) of DAC miniDSP (DAC Buffer B)
89	0000 0000	Coefficient C172(7:0) of DAC miniDSP (DAC Buffer B)
90	0000 0000	Coefficient C173(15:8) of DAC miniDSP (DAC Buffer B)
91	0000 0000	Coefficient C173(7:0) of DAC miniDSP (DAC Buffer B)
92	0000 0000	Coefficient C174(15:8) of DAC miniDSP (DAC Buffer B)
93	0000 0000	Coefficient C174(7:0) of DAC miniDSP (DAC Buffer B)
94	0000 0000	Coefficient C175(15:8) of DAC miniDSP (DAC Buffer B)
95	0000 0000	Coefficient C175(7:0) of DAC miniDSP (DAC Buffer B)
96	0000 0000	Coefficient C176(15:8) of DAC miniDSP (DAC Buffer B)
97	0000 0000	Coefficient C176(7:0) of DAC miniDSP (DAC Buffer B)
98	0000 0000	Coefficient C177(15:8) of DAC miniDSP (DAC Buffer B)
99	0000 0000	Coefficient C177(7:0) of DAC miniDSP (DAC Buffer B)
100	0000 0000	Coefficient C178(15:8) of DAC miniDSP (DAC Buffer B)
101	0000 0000	Coefficient C178(7:0) of DAC miniDSP (DAC Buffer B)
102	0000 0000	Coefficient C179(15:8) of DAC miniDSP (DAC Buffer B)
103	0000 0000	Coefficient C179(7:0) of DAC miniDSP (DAC Buffer B)
104	0000 0000	Coefficient C180(15:8) of DAC miniDSP (DAC Buffer B)
105	0000 0000	Coefficient C180(7:0) of DAC miniDSP (DAC Buffer B)
106	0000 0000	Coefficient C181(15:8) of DAC miniDSP (DAC Buffer B)
107	0000 0000	Coefficient C181(7:0) of DAC miniDSP (DAC Buffer B)
108	0000 0000	Coefficient C182(15:8) of DAC miniDSP (DAC Buffer B)
109	0000 0000	Coefficient C182(7:0) of DAC miniDSP (DAC Buffer B)
110	0000 0000	Coefficient C183(15:8) of DAC miniDSP (DAC Buffer B)
111	0000 0000	Coefficient C183(7:0) of DAC miniDSP (DAC Buffer B)

Table 6-12. Page-14 Registers (continued)

REGISTER NUMBER	RESET VALUE	REGISTER NAME
112	0000 0000	Coefficient C184(15:8) of DAC miniDSP (DAC Buffer B)
113	0000 0000	Coefficient C184(7:0) of DAC miniDSP (DAC Buffer B)
114	0000 0000	Coefficient C185(15:8) of DAC miniDSP (DAC Buffer B)
115	0000 0000	Coefficient C185(7:0) of DAC miniDSP (DAC Buffer B)
116	0000 0000	Coefficient C186(15:8) of DAC miniDSP (DAC Buffer B)
117	0000 0000	Coefficient C186(7:0) of DAC miniDSP (DAC Buffer B)
118	0000 0000	Coefficient C187(15:8) of DAC miniDSP (DAC Buffer B)
119	0000 0000	Coefficient C187(7:0) of DAC miniDSP (DAC Buffer B)
120	0000 0000	Coefficient C188(15:8) of DAC miniDSP (DAC Buffer B)
121	0000 0000	Coefficient C188(7:0) of DAC miniDSP (DAC Buffer B)
122	0000 0000	Coefficient C189(15:8) of DAC miniDSP (DAC Buffer B)
123	0000 0000	Coefficient C189(7:0) of DAC miniDSP (DAC Buffer B)
124	0000 0000	Coefficient C190(15:8) of DAC miniDSP (DAC Buffer B)
125	0000 0000	Coefficient C190(7:0) of DAC miniDSP (DAC Buffer B)
126	0000 0000	Coefficient C191(15:8) of DAC miniDSP (DAC Buffer B)
127	0000 0000	Coefficient C191(7:0) of DAC miniDSP (DAC Buffer B)

6.12 Control Registers, Page 15: DAC Programmable Coefficients RAM Buffer B (193:255)**Table 6-13. Page-15 Registers**

REGISTER NUMBER	RESET VALUE	REGISTER NAME
1	XXXX XXXX	Reserved. Do not write to this register.
2	0000 0000	Coefficient C193(15:8) of DAC miniDSP (DAC Buffer B)
3	0000 0000	Coefficient C193(7:0) of DAC miniDSP (DAC Buffer B)
4	0000 0000	Coefficient C194(15:8) of DAC miniDSP (DAC Buffer B)
5	0000 0000	Coefficient C194(7:0) of DAC miniDSP (DAC Buffer B)
6	0000 0000	Coefficient C195(15:8) of DAC miniDSP (DAC Buffer B)
7	0000 0000	Coefficient C195(7:0) of DAC miniDSP (DAC Buffer B)
8	0000 0000	Coefficient C196(15:8) of DAC miniDSP (DAC Buffer B)
9	0000 0000	Coefficient C196(7:0) of DAC miniDSP (DAC Buffer B)
10	0000 0000	Coefficient C197(15:8) of DAC miniDSP (DAC Buffer B)
11	0000 0000	Coefficient C197(7:0) of DAC miniDSP (DAC Buffer B)
12	0000 0000	Coefficient C198(15:8) of DAC miniDSP (DAC Buffer B)
13	0000 0000	Coefficient C198(7:0) of DAC miniDSP (DAC Buffer B)
14	0000 0000	Coefficient C199(15:8) of DAC miniDSP (DAC Buffer B)
15	0000 0000	Coefficient C199(7:0) of DAC miniDSP (DAC Buffer B)
16	0000 0000	Coefficient C200(15:8) of DAC miniDSP (DAC Buffer B)
17	0000 0000	Coefficient C200(7:0) of DAC miniDSP (DAC Buffer B)
18	0000 0000	Coefficient C201(15:8) of DAC miniDSP (DAC Buffer B)
19	0000 0000	Coefficient C201(7:0) of DAC miniDSP (DAC Buffer B)
20	0000 0000	Coefficient C202(15:8) of DAC miniDSP (DAC Buffer B)
21	0000 0000	Coefficient C202(7:0) of DAC miniDSP (DAC Buffer B)
22	0000 0000	Coefficient C203(15:8) of DAC miniDSP (DAC Buffer B)
23	0000 0000	Coefficient C203(7:0) of DAC miniDSP (DAC Buffer B)

Table 6-13. Page-15 Registers (continued)

REGISTER NUMBER	RESET VALUE	REGISTER NAME
24	0000 0000	Coefficient C204(15:8) of DAC miniDSP (DAC Buffer B)
25	0000 0000	Coefficient C204(7:0) of DAC miniDSP (DAC Buffer B)
26	0000 0000	Coefficient C205(15:8) of DAC miniDSP (DAC Buffer B)
27	0000 0000	Coefficient C205(7:0) of DAC miniDSP (DAC Buffer B)
28	0000 0000	Coefficient C206(15:8) of DAC miniDSP (DAC Buffer B)
29	0000 0000	Coefficient C206(7:0) of DAC miniDSP (DAC Buffer B)
30	0000 0000	Coefficient C207(15:8) of DAC miniDSP (DAC Buffer B)
31	0000 0000	Coefficient C207(7:0) of DAC miniDSP (DAC Buffer B)
32	0000 0000	Coefficient C208(15:8) of DAC miniDSP (DAC Buffer B)
33	0000 0000	Coefficient C208(7:0) of DAC miniDSP (DAC Buffer B)
34	0000 0000	Coefficient C209(15:8) of DAC miniDSP (DAC Buffer B)
35	0000 0000	Coefficient C209(7:0) of DAC miniDSP (DAC Buffer B)
36	0000 0000	Coefficient C210(15:8) of DAC miniDSP (DAC Buffer B)
37	0000 0000	Coefficient C210(7:0) of DAC miniDSP (DAC Buffer B)
38	0000 0000	Coefficient C211(15:8) of DAC miniDSP (DAC Buffer B)
39	0000 0000	Coefficient C211(7:0) of DAC miniDSP (DAC Buffer B)
40	0000 0000	Coefficient C212(15:8) of DAC miniDSP (DAC Buffer B)
41	0000 0000	Coefficient C212(7:0) of DAC miniDSP (DAC Buffer B)
42	0000 0000	Coefficient C213(15:8) of DAC miniDSP (DAC Buffer B)
43	0000 0000	Coefficient C213(7:0) of DAC miniDSP (DAC Buffer B)
44	0000 0000	Coefficient C214(15:8) of DAC miniDSP (DAC Buffer B)
45	0000 0000	Coefficient C214(7:0) of DAC miniDSP (DAC Buffer B)
46	0000 0000	Coefficient C215(15:8) of DAC miniDSP (DAC Buffer B)
47	0000 0000	Coefficient C215(7:0) of DAC miniDSP (DAC Buffer B)
48	0000 0000	Coefficient C216(15:8) of DAC miniDSP (DAC Buffer B)
49	0000 0000	Coefficient C216(7:0) of DAC miniDSP (DAC Buffer B)
50	0000 0000	Coefficient C217(15:8) of DAC miniDSP (DAC Buffer B)
51	0000 0000	Coefficient C217(7:0) of DAC miniDSP (DAC Buffer B)
52	0000 0000	Coefficient C218(15:8) of DAC miniDSP (DAC Buffer B)
53	0000 0000	Coefficient C218(7:0) of DAC miniDSP (DAC Buffer B)
54	0000 0000	Coefficient C219(15:8) of DAC miniDSP (DAC Buffer B)
55	0000 0000	Coefficient C219(7:0) of DAC miniDSP (DAC Buffer B)
56	0000 0000	Coefficient C220(15:8) of DAC miniDSP (DAC Buffer B)
57	0000 0000	Coefficient C220(7:0) of DAC miniDSP (DAC Buffer B)
58	0000 0000	Coefficient C221(15:8) of DAC miniDSP (DAC Buffer B)
59	0000 0000	Coefficient C221(7:0) of DAC miniDSP (DAC Buffer B)
60	0000 0000	Coefficient C222(15:8) of DAC miniDSP (DAC Buffer B)
61	0000 0000	Coefficient C222(7:0) of DAC miniDSP (DAC Buffer B)
62	0000 0000	Coefficient C223(15:8) of DAC miniDSP (DAC Buffer B)
63	0000 0000	Coefficient C223(7:0) of DAC miniDSP (DAC Buffer B)
64	0000 0000	Coefficient C224(15:8) of DAC miniDSP (DAC Buffer B)
65	0000 0000	Coefficient C224(7:0) of DAC miniDSP (DAC Buffer B)
66	0000 0000	Coefficient C225(15:8) of DAC miniDSP (DAC Buffer B)
67	0000 0000	Coefficient C225(7:0) of DAC miniDSP (DAC Buffer B)
68	0000 0000	Coefficient C226(15:8) of DAC miniDSP (DAC Buffer B)
69	0000 0000	Coefficient C226(7:0) of DAC miniDSP (DAC Buffer B)

Table 6-13. Page-15 Registers (continued)

REGISTER NUMBER	RESET VALUE	REGISTER NAME
70	0000 0000	Coefficient C227(15:8) of DAC miniDSP (DAC Buffer B)
71	0000 0000	Coefficient C227(7:0) of DAC miniDSP (DAC Buffer B)
72	0000 0000	Coefficient C228(15:8) of DAC miniDSP (DAC Buffer B)
73	0000 0000	Coefficient C228(7:0) of DAC miniDSP (DAC Buffer B)
74	0000 0000	Coefficient C229(15:8) of DAC miniDSP (DAC Buffer B)
75	0000 0000	Coefficient C229(7:0) of DAC miniDSP (DAC Buffer B)
76	0000 0000	Coefficient C230(15:8) of DAC miniDSP (DAC Buffer B)
77	0000 0000	Coefficient C230(7:0) of DAC miniDSP (DAC Buffer B)
78	0000 0000	Coefficient C231(15:8) of DAC miniDSP (DAC Buffer B)
79	0000 0000	Coefficient C231(7:0) of DAC miniDSP (DAC Buffer B)
80	0000 0000	Coefficient C232(15:8) of DAC miniDSP (DAC Buffer B)
81	0000 0000	Coefficient C232(7:0) of DAC miniDSP (DAC Buffer B)
82	0000 0000	Coefficient C233(15:8) of DAC miniDSP (DAC Buffer B)
83	0000 0000	Coefficient C233(7:0) of DAC miniDSP (DAC Buffer B)
84	0000 0000	Coefficient C234(15:8) of DAC miniDSP (DAC Buffer B)
85	0000 0000	Coefficient C234(7:0) of DAC miniDSP (DAC Buffer B)
86	0000 0000	Coefficient C235(15:8) of DAC miniDSP (DAC Buffer B)
87	0000 0000	Coefficient C235(7:0) of DAC miniDSP (DAC Buffer B)
88	0000 0000	Coefficient C236(15:8) of DAC miniDSP (DAC Buffer B)
89	0000 0000	Coefficient C236(7:0) of DAC miniDSP (DAC Buffer B)
90	0000 0000	Coefficient C237(15:8) of DAC miniDSP (DAC Buffer B)
91	0000 0000	Coefficient C237(7:0) of DAC miniDSP (DAC Buffer B)
92	0000 0000	Coefficient C238(15:8) of DAC miniDSP (DAC Buffer B)
93	0000 0000	Coefficient C238(7:0) of DAC miniDSP (DAC Buffer B)
94	0000 0000	Coefficient C239(15:8) of DAC miniDSP (DAC Buffer B)
95	0000 0000	Coefficient C239(7:0) of DAC miniDSP (DAC Buffer B)
96	0000 0000	Coefficient C240(15:8) of DAC miniDSP (DAC Buffer B)
97	0000 0000	Coefficient C240(7:0) of DAC miniDSP (DAC Buffer B)
98	0000 0000	Coefficient C241(15:8) of DAC miniDSP (DAC Buffer B)
99	0000 0000	Coefficient C241(7:0) of DAC miniDSP (DAC Buffer B)
100	0000 0000	Coefficient C242(15:8) of DAC miniDSP (DAC Buffer B)
101	0000 0000	Coefficient C242(7:0) of DAC miniDSP (DAC Buffer B)
102	0000 0000	Coefficient C243(15:8) of DAC miniDSP (DAC Buffer B)
103	0000 0000	Coefficient C243(7:0) of DAC miniDSP (DAC Buffer B)
104	0000 0000	Coefficient C244(15:8) of DAC miniDSP (DAC Buffer B)
105	0000 0000	Coefficient C244(7:0) of DAC miniDSP (DAC Buffer B)
106	0000 0000	Coefficient C245(15:8) of DAC miniDSP (DAC Buffer B)
107	0000 0000	Coefficient C245(7:0) of DAC miniDSP (DAC Buffer B)
108	0000 0000	Coefficient C246(15:8) of DAC miniDSP (DAC Buffer B)
109	0000 0000	Coefficient C246(7:0) of DAC miniDSP (DAC Buffer B)
110	0000 0000	Coefficient C247(15:8) of DAC miniDSP (DAC Buffer B)
111	0000 0000	Coefficient C247(7:0) of DAC miniDSP (DAC Buffer B)
112	0000 0000	Coefficient C248(15:8) of DAC miniDSP (DAC Buffer B)
113	0000 0000	Coefficient C248(7:0) of DAC miniDSP (DAC Buffer B)
114	0000 0000	Coefficient C249(15:8) of DAC miniDSP (DAC Buffer B)
115	0000 0000	Coefficient C249(7:0) of DAC miniDSP (DAC Buffer B)

Table 6-13. Page-15 Registers (continued)

REGISTER NUMBER	RESET VALUE	REGISTER NAME
116	0000 0000	Coefficient C250(15:8) of DAC miniDSP (DAC Buffer B)
117	0000 0000	Coefficient C250(7:0) of DAC miniDSP (DAC Buffer B)
118	0000 0000	Coefficient C251(15:8) of DAC miniDSP (DAC Buffer B)
119	0000 0000	Coefficient C251(7:0) of DAC miniDSP (DAC Buffer B)
120	0000 0000	Coefficient C252(15:8) of DAC miniDSP (DAC Buffer B)
121	0000 0000	Coefficient C252(7:0) of DAC miniDSP (DAC Buffer B)
122	0000 0000	Coefficient C253(15:8) of DAC miniDSP (DAC Buffer B)
123	0000 0000	Coefficient C253(7:0) of DAC miniDSP (DAC Buffer B)
124	0000 0000	Coefficient C254(15:8) of DAC miniDSP (DAC Buffer B)
125	0000 0000	Coefficient C254(7:0) of DAC miniDSP (DAC Buffer B)
126	0000 0000	Coefficient C255(15:8) of DAC miniDSP (DAC Buffer B)
127	0000 0000	Coefficient C255(7:0) of DAC miniDSP (DAC Buffer B)

6.13 Control Registers, Page 64: DAC DSP Engine Instruction RAM (0:31)
Page 64 / Register 0: Page Control Register

BIT	READ/ WRITE	RESET VALUE	DESCRIPTION
D7–D0	R/W	0000 0000	0000 0000: Page 0 selected 0000 0001: Page 1 selected ... 1111 1110: Page 254 selected 1111 1111: Page 255 selected

Page 64 / Register 1: Reserved

BIT	READ/ WRITE	RESET VALUE	DESCRIPTION
D7–D0	R/W	XXXX XXXX	Reserved. Write only the default value to this register

Page 64 / Register 2: Inst_0(23:16)

BIT	READ/ WRITE	RESET VALUE	DESCRIPTION
D7–D0	R/W	XXXX	Instruction Inst_0(23:16) of DAC miniDSP

Page 64 / Register 3: Inst_0(15:8)

BIT	READ/ WRITE	RESET VALUE	DESCRIPTION
D7–D0	R/W	XXXX XXXX	Instruction Inst_0(15:8) of DAC miniDSP

Page 64 / Register 4: Inst_0(7:0)

BIT	READ/ WRITE	RESET VALUE	DESCRIPTION
D7–D0	R/W	XXXX XXXX	Instruction Inst_0(7:0) of DAC miniDSP

6.13.1 Page 64 / Register 5 Through Page 64 / Register 97

The remaining unreserved registers on page 32 are arranged in groups of three, with each group containing the bits of one instruction. The arrangement is the same as that of registers 2–4 for Instruction 0. Registers 5–7, 8–10, 11–13, ..., 95–97 contain instructions 1, 2, 3, ..., 31, respectively.

Page 64 / Register 98 Through Page 64 / Register 127: Reserved

BIT	READ/ WRITE	RESET VALUE	DESCRIPTION
D7–D0	R/W	XXXX XXXX	Reserved. Write only the default value to this register

6.14 Control Registers, Pages 65–95: DAC DSP Engine Instruction RAM (32:63) Through (992:1023)

The structuring of the registers within pages 65–95 is identical to that of page 64. Only the instruction numbers differ. The range of instructions within each page is listed in the following table.

Page	Instructions
65	32 to 63
66	64 to 95
67	96 to 127
68	128 to 159
69	160 to 191
70	192 to 223
71	224 to 255
72	256 to 287
73	288 to 319
74	320 to 351
75	352 to 383
76	384 to 415
77	416 to 447
78	448 to 479
79	480 to 511
80	512 to 543
81	544 to 575
82	576 to 607
83	608 to 639
84	640 to 671
85	672 to 703
86	704 to 735
87	736 to 767
88	768 to 799
89	800 to 831
90	832 to 863
91	864 to 895
92	896 to 927
93	928 to 959
94	960 to 991
95	992 to 1023

PACKAGING INFORMATION

Orderable Device	Status ⁽¹⁾	Package Type	Package Drawing	Pins	Package Qty	Eco Plan ⁽²⁾	Lead/ Ball Finish	MSL Peak Temp ⁽³⁾	Samples (Requires Login)
TLV320DAC3120IRHBR	ACTIVE	QFN	RHB	32	3000	Green (RoHS & no Sb/Br)	CU NIPDAU	Level-2-260C-1 YEAR	Request Free Samples
TLV320DAC3120IRHBT	ACTIVE	QFN	RHB	32	250	Green (RoHS & no Sb/Br)	CU NIPDAU	Level-2-260C-1 YEAR	Contact TI Distributor or Sales Office

⁽¹⁾ The marketing status values are defined as follows:

ACTIVE: Product device recommended for new designs.

LIFEBUY: TI has announced that the device will be discontinued, and a lifetime-buy period is in effect.

NRND: Not recommended for new designs. Device is in production to support existing customers, but TI does not recommend using this part in a new design.

PREVIEW: Device has been announced but is not in production. Samples may or may not be available.

OBsolete: TI has discontinued the production of the device.

⁽²⁾ Eco Plan - The planned eco-friendly classification: Pb-Free (RoHS), Pb-Free (RoHS Exempt), or Green (RoHS & no Sb/Br) - please check <http://www.ti.com/productcontent> for the latest availability information and additional product content details.

TBD: The Pb-Free/Green conversion plan has not been defined.

Pb-Free (RoHS): TI's terms "Lead-Free" or "Pb-Free" mean semiconductor products that are compatible with the current RoHS requirements for all 6 substances, including the requirement that lead not exceed 0.1% by weight in homogeneous materials. Where designed to be soldered at high temperatures, TI Pb-Free products are suitable for use in specified lead-free processes.

Pb-Free (RoHS Exempt): This component has a RoHS exemption for either 1) lead-based flip-chip solder bumps used between the die and package, or 2) lead-based die adhesive used between the die and leadframe. The component is otherwise considered Pb-Free (RoHS compatible) as defined above.

Green (RoHS & no Sb/Br): TI defines "Green" to mean Pb-Free (RoHS compatible), and free of Bromine (Br) and Antimony (Sb) based flame retardants (Br or Sb do not exceed 0.1% by weight in homogeneous material)

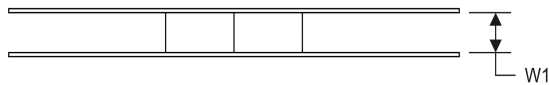
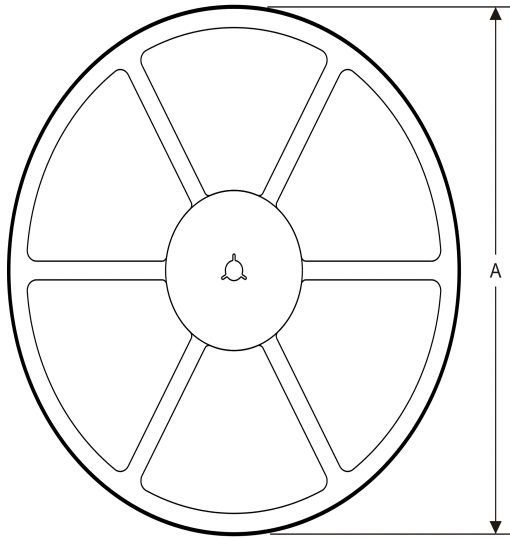
⁽³⁾ MSL, Peak Temp. -- The Moisture Sensitivity Level rating according to the JEDEC industry standard classifications, and peak solder temperature.

Important Information and Disclaimer: The information provided on this page represents TI's knowledge and belief as of the date that it is provided. TI bases its knowledge and belief on information provided by third parties, and makes no representation or warranty as to the accuracy of such information. Efforts are underway to better integrate information from third parties. TI has taken and continues to take reasonable steps to provide representative and accurate information but may not have conducted destructive testing or chemical analysis on incoming materials and chemicals. TI and TI suppliers consider certain information to be proprietary, and thus CAS numbers and other limited information may not be available for release.

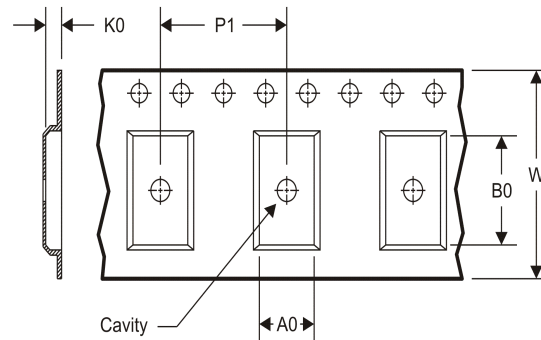
In no event shall TI's liability arising out of such information exceed the total purchase price of the TI part(s) at issue in this document sold by TI to Customer on an annual basis.

TAPE AND REEL INFORMATION

REEL DIMENSIONS



TAPE DIMENSIONS

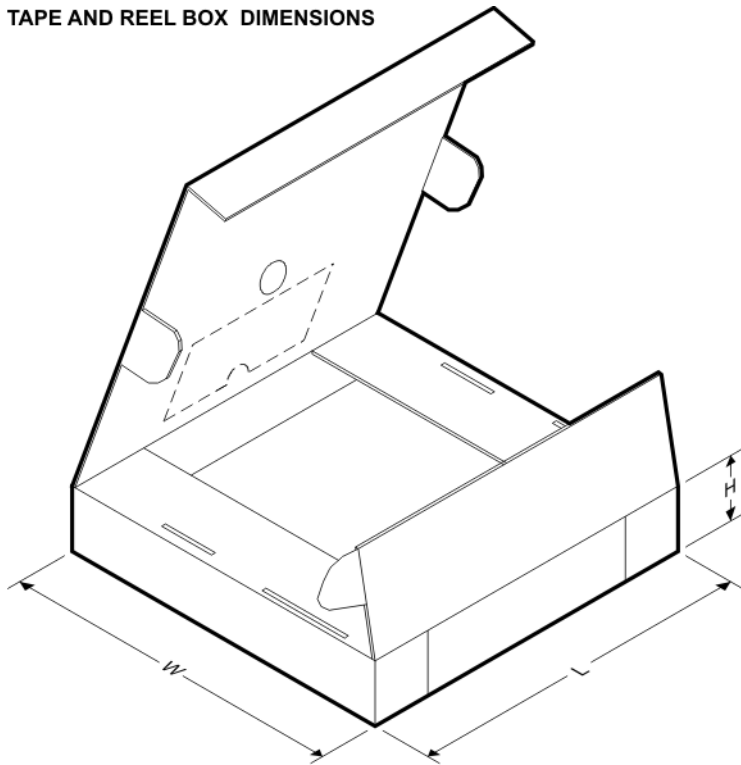


A0	Dimension designed to accommodate the component width
B0	Dimension designed to accommodate the component length
K0	Dimension designed to accommodate the component thickness
W	Overall width of the carrier tape
P1	Pitch between successive cavity centers

TAPE AND REEL INFORMATION

*All dimensions are nominal

Device	Package Type	Package Drawing	Pins	SPQ	Reel Diameter (mm)	Reel Width W1 (mm)	A0 (mm)	B0 (mm)	K0 (mm)	P1 (mm)	W (mm)	Pin1 Quadrant
TLV320DAC3120IRHBR	QFN	RHB	32	3000	330.0	12.4	5.3	5.3	1.5	8.0	12.0	Q2
TLV320DAC3120IRHBR	QFN	RHB	32	3000	330.0	12.4	5.3	5.3	1.5	8.0	12.0	Q2
TLV320DAC3120IRHBT	QFN	RHB	32	250	180.0	12.4	5.3	5.3	1.5	8.0	12.0	Q2
TLV320DAC3120IRHBT	QFN	RHB	32	250	180.0	12.4	5.3	5.3	1.5	8.0	12.0	Q2

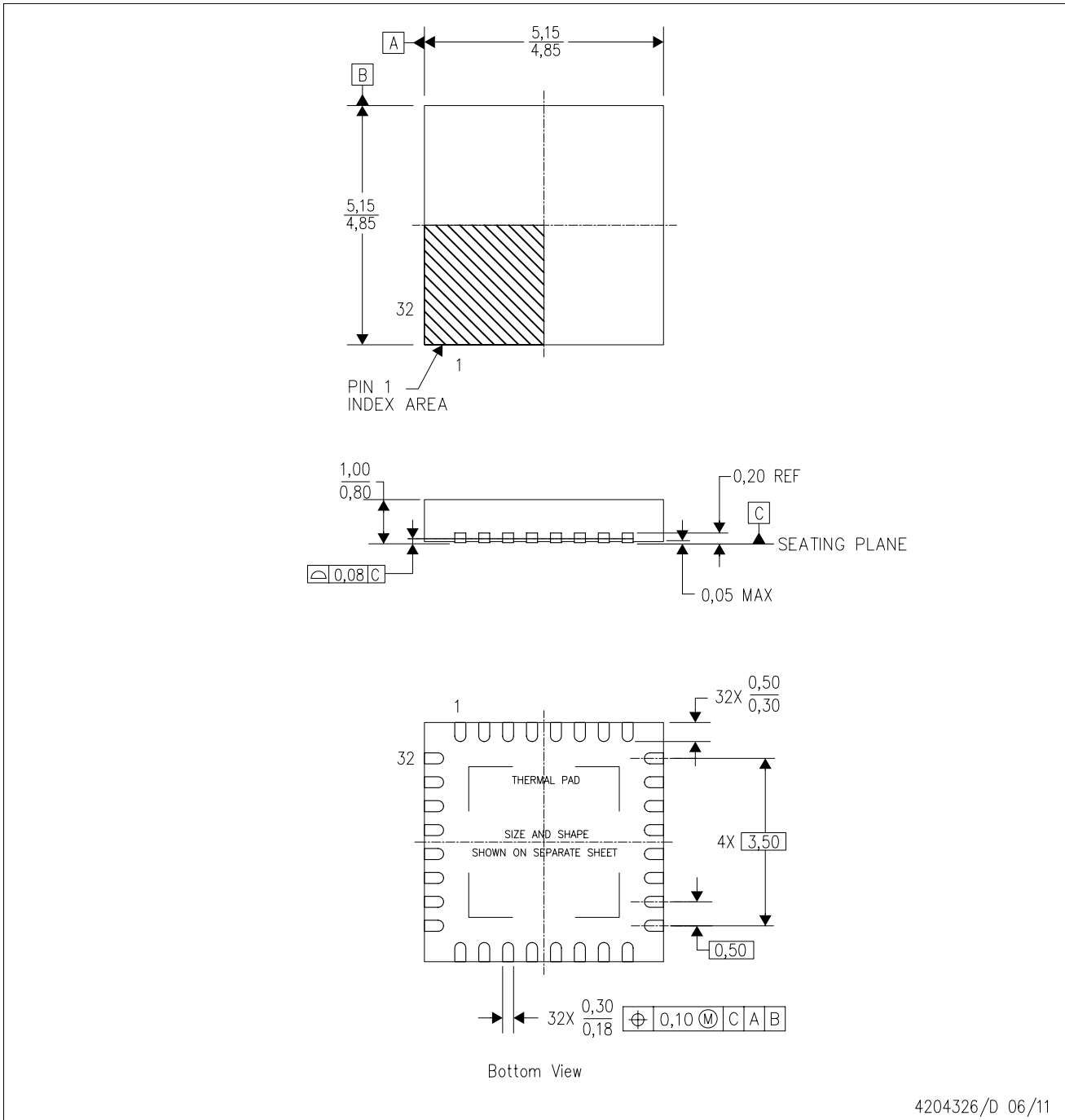
TAPE AND REEL BOX DIMENSIONS


*All dimensions are nominal

Device	Package Type	Package Drawing	Pins	SPQ	Length (mm)	Width (mm)	Height (mm)
TLV320DAC3120IRHBR	QFN	RHB	32	3000	346.0	346.0	29.0
TLV320DAC3120IRHBR	QFN	RHB	32	3000	346.0	346.0	29.0
TLV320DAC3120IRHBT	QFN	RHB	32	250	210.0	185.0	35.0
TLV320DAC3120IRHBT	QFN	RHB	32	250	210.0	185.0	35.0

RHB (S-PVQFN-N32)

PLASTIC QUAD FLATPACK NO-LEAD



4204326/D 06/11

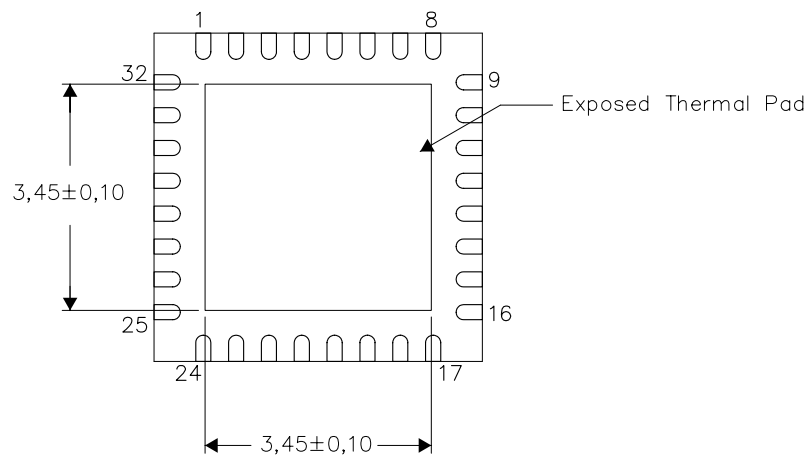
- NOTES:
- All linear dimensions are in millimeters. Dimensioning and tolerancing per ASME Y14.5M-1994.
 - This drawing is subject to change without notice.
 - QFN (Quad Flatpack No-Lead) Package configuration.
 - The package thermal pad must be soldered to the board for thermal and mechanical performance.
 - See the additional figure in the Product Data Sheet for details regarding the exposed thermal pad features and dimensions.
 - Falls within JEDEC MO-220.

THERMAL INFORMATION

This package incorporates an exposed thermal pad that is designed to be attached directly to an external heatsink. The thermal pad must be soldered directly to the printed circuit board (PCB). After soldering, the PCB can be used as a heatsink. In addition, through the use of thermal vias, the thermal pad can be attached directly to the appropriate copper plane shown in the electrical schematic for the device, or alternatively, can be attached to a special heatsink structure designed into the PCB. This design optimizes the heat transfer from the integrated circuit (IC).

For information on the Quad Flatpack No-Lead (QFN) package and its advantages, refer to Application Report, QFN/SON PCB Attachment, Texas Instruments Literature No. SLUA271. This document is available at www.ti.com.

The exposed thermal pad dimensions for this package are shown in the following illustration.



Bottom View

Exposed Thermal Pad Dimensions

4206356-2/U 06/11

NOTE: A. All linear dimensions are in millimeters

IMPORTANT NOTICE

Texas Instruments Incorporated and its subsidiaries (TI) reserve the right to make corrections, modifications, enhancements, improvements, and other changes to its products and services at any time and to discontinue any product or service without notice. Customers should obtain the latest relevant information before placing orders and should verify that such information is current and complete. All products are sold subject to TI's terms and conditions of sale supplied at the time of order acknowledgment.

TI warrants performance of its hardware products to the specifications applicable at the time of sale in accordance with TI's standard warranty. Testing and other quality control techniques are used to the extent TI deems necessary to support this warranty. Except where mandated by government requirements, testing of all parameters of each product is not necessarily performed.

TI assumes no liability for applications assistance or customer product design. Customers are responsible for their products and applications using TI components. To minimize the risks associated with customer products and applications, customers should provide adequate design and operating safeguards.

TI does not warrant or represent that any license, either express or implied, is granted under any TI patent right, copyright, mask work right, or other TI intellectual property right relating to any combination, machine, or process in which TI products or services are used. Information published by TI regarding third-party products or services does not constitute a license from TI to use such products or services or a warranty or endorsement thereof. Use of such information may require a license from a third party under the patents or other intellectual property of the third party, or a license from TI under the patents or other intellectual property of TI.

Reproduction of TI information in TI data books or data sheets is permissible only if reproduction is without alteration and is accompanied by all associated warranties, conditions, limitations, and notices. Reproduction of this information with alteration is an unfair and deceptive business practice. TI is not responsible or liable for such altered documentation. Information of third parties may be subject to additional restrictions.

Resale of TI products or services with statements different from or beyond the parameters stated by TI for that product or service voids all express and any implied warranties for the associated TI product or service and is an unfair and deceptive business practice. TI is not responsible or liable for any such statements.

TI products are not authorized for use in safety-critical applications (such as life support) where a failure of the TI product would reasonably be expected to cause severe personal injury or death, unless officers of the parties have executed an agreement specifically governing such use. Buyers represent that they have all necessary expertise in the safety and regulatory ramifications of their applications, and acknowledge and agree that they are solely responsible for all legal, regulatory and safety-related requirements concerning their products and any use of TI products in such safety-critical applications, notwithstanding any applications-related information or support that may be provided by TI. Further, Buyers must fully indemnify TI and its representatives against any damages arising out of the use of TI products in such safety-critical applications.

TI products are neither designed nor intended for use in military/aerospace applications or environments unless the TI products are specifically designated by TI as military-grade or "enhanced plastic." Only products designated by TI as military-grade meet military specifications. Buyers acknowledge and agree that any such use of TI products which TI has not designated as military-grade is solely at the Buyer's risk, and that they are solely responsible for compliance with all legal and regulatory requirements in connection with such use.

TI products are neither designed nor intended for use in automotive applications or environments unless the specific TI products are designated by TI as compliant with ISO/TS 16949 requirements. Buyers acknowledge and agree that, if they use any non-designated products in automotive applications, TI will not be responsible for any failure to meet such requirements.

Following are URLs where you can obtain information on other Texas Instruments products and application solutions:

Products

Audio	www.ti.com/audio
Amplifiers	amplifier.ti.com
Data Converters	dataconverter.ti.com
DLP® Products	www.dlp.com
DSP	dsp.ti.com
Clocks and Timers	www.ti.com/clocks
Interface	interface.ti.com
Logic	logic.ti.com
Power Mgmt	power.ti.com
Microcontrollers	microcontroller.ti.com
RFID	www.ti-rfid.com
OMAP Mobile Processors	www.ti.com/omap
Wireless Connectivity	www.ti.com/wirelessconnectivity

Applications

Communications and Telecom	www.ti.com/communications
Computers and Peripherals	www.ti.com/computers
Consumer Electronics	www.ti.com/consumer-apps
Energy and Lighting	www.ti.com/energy
Industrial	www.ti.com/industrial
Medical	www.ti.com/medical
Security	www.ti.com/security
Space, Avionics and Defense	www.ti.com/space-avionics-defense
Transportation and Automotive	www.ti.com/automotive
Video and Imaging	www.ti.com/video

TI E2E Community Home Page

e2e.ti.com

Mailing Address: Texas Instruments, Post Office Box 655303, Dallas, Texas 75265
Copyright © 2011, Texas Instruments Incorporated