

## TS5USBC400 Dual 2:1 USB 2.0 Mux/DeMux with 16-V Overvoltage Protection

### 1 Features

- Supply Range 2.3 V to 5.5 V
- Differential 2:1 or 1:2 Switch/Multiplexer
- 0-V to 16-V Overvoltage Protection (OVP) on Common Pins
- Powered Off Protection When  $V_{CC} = 0$  V
- Low  $R_{ON}$  of 9  $\Omega$  Maximum
- BW of 1.1 GHz Typical
- $C_{ON}$  of 4.5 pF Typical
- Low Power Disable Mode
- 1.8-V Compatible Logic Inputs
- ESD Protection Exceeds JESD 22
  - 2000-V Human Body Model (HBM)
- TS5USBC400: Standard Temperature Range of 0°C to 70°C
- TS5USBC400I: Industrial Temperature Range of -40°C to 85°C
- Small DSBGA Package

### 2 Applications

- Mobile
- PC/Notebook
- Tablet
- Anywhere a USB Type-C™ or Micro-B Connector is Used

### 3 Description

The TS5USBC400 is a bidirectional low-power dual port, high-speed, USB 2.0 analog switch with integrated protection for USB Type-C™ systems. The device is configured as a dual 2:1 or 1:2 switch and is optimized for handling the USB 2.0 D+/- lines in a USB Type-C™ systems.

The TS5USBC400 protection on the I/O pins can tolerate up to 16V with automatic shutoff circuitry to protect system components behind the switch.

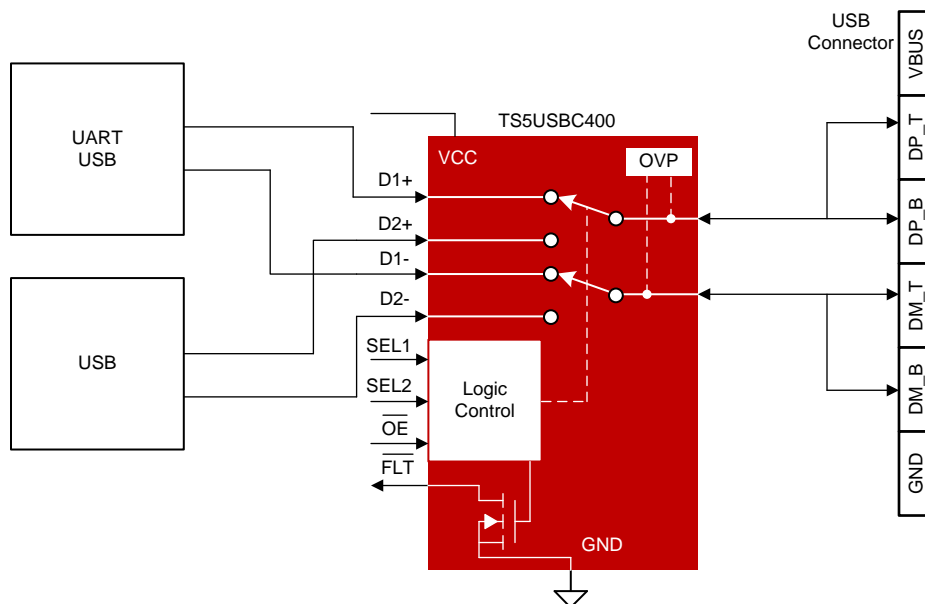
The TS5USBC400 comes in a small 12 pin DSBGA package making it a perfect candidate for mobile and space constrained applications.

#### Device Information<sup>(1)</sup>

PART NUMBER	PACKAGE	BODY SIZE (NOM)
TS5USBC400 TS5USBC400I	DSBGA (12)	1.582 mm x 1.182 mm

(1) For all available packages, see the orderable addendum at the end of the data sheet.

#### Simplified Schematic



Copyright © 2017, Texas Instruments Incorporated



## Table of Contents

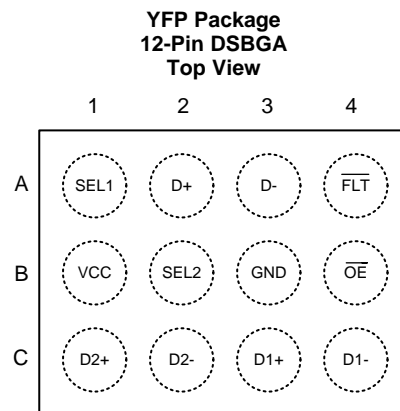
<b>1 Features</b> .....	1	8.2 Functional Block Diagram .....	13
<b>2 Applications</b> .....	1	8.3 Feature Description .....	14
<b>3 Description</b> .....	1	8.4 Device Functional Modes .....	16
<b>4 Revision History</b> .....	2	<b>9 Application and Implementation</b> .....	17
<b>5 Pin Configuration and Functions</b> .....	3	9.1 Application Information .....	17
<b>6 Specifications</b> .....	4	9.2 Typical Application .....	17
6.1 Absolute Maximum Ratings .....	4	<b>10 Power Supply Recommendations</b> .....	18
6.2 ESD Ratings .....	4	<b>11 Layout</b> .....	19
6.3 Recommended Operating Conditions .....	4	11.1 Layout Guidelines .....	19
6.4 Thermal Information .....	5	11.2 Layout Example .....	20
6.5 Electrical Characteristics .....	5	<b>12 Device and Documentation Support</b> .....	21
6.6 Dynamic Characteristics .....	7	12.1 Documentation Support .....	21
6.7 Timing Requirements .....	7	12.2 Community Resources .....	21
6.8 Typical Characteristics .....	8	12.3 Trademarks .....	21
<b>7 Parameter Measurement Information</b> .....	9	12.4 Electrostatic Discharge Caution .....	21
<b>8 Detailed Description</b> .....	13	12.5 Glossary .....	21
8.1 Overview .....	13	<b>13 Mechanical, Packaging, and Orderable Information</b> .....	21

## 4 Revision History

NOTE: Page numbers for previous revisions may differ from page numbers in the current version.

Changes from Original (September 2017) to Revision A	Page
• Added $I_{CC}$ Active supply current and Supply current during OVP condition to the <i>Electrical Specification</i> table .....	4

## 5 Pin Configuration and Functions



**Pin Functions**

PIN		I/O	DESCRIPTION
NAME	NO.		
SEL1	A1	I	Switch select1 (Active high)
D+	A2	I/O	Data switch input (Differential +)
D-	A3	I/O	Data switch input (Differential -)
$\overline{\text{FLT}}$	A4	O	Fault indicator output pin (Active low) - open drain
VCC	B1	PWR	Supply Voltage
SEL2	B2	I	Switch select2 (Active high)
GND	B3	GND	Ground
$\overline{\text{OE}}$	B4	I	Output enable (Active low)
D2+	C1	I/O	Data switch output 2 (Differential +)
D2-	C2	I/O	Data switch output 2 (Differential -)
D1+	C3	I/O	Data switch output 1 (Differential +)
D1-	C4	I/O	Data switch output 1 (Differential -)

## 6 Specifications

### 6.1 Absolute Maximum Ratings

 over operating free-air temperature range (unless otherwise noted)<sup>(1) (2)</sup>

			MIN	MAX	UNIT
$V_{CC}$	Supply voltage <sup>(3)</sup>		-0.5	6	V
$V_{I/O}$	Input/Output DC voltage (D+, D-) <sup>(3)</sup>		-0.5	18	V
$V_{I/O}$	Input/Output DC voltage (D1+/D1-, D2+/D2-) <sup>(3)</sup>		-0.5	6	V
$V_I$	Digital input voltage (SEL1, SEL2, $\overline{OE}$ )		-0.5	6	V
$V_O$	Digital output voltage ( $\overline{FLT}$ )		-0.5	6	V
$I_K$	Input-output port diode current (D+, D-, D1+, D1-, D2+, D2-)	$V_{IN} < 0$	-50		mA
$I_{IK}$	Digital logic input clamp current (SEL1, SEL2, $\overline{OE}$ ) <sup>(3)</sup>	$V_I < 0$	-50		mA
$I_{CC}$	Continuous current through VCC			100	mA
$I_{GND}$	Continuous current through GND		-100		mA
$T_{stg}$	Storage temperature		-65	150	°C

- (1) Stresses beyond those listed under *Absolute Maximum Ratings* may cause permanent damage to the device. These are stress ratings only, which do not imply functional operation of the device at these or any other conditions beyond those indicated under *Recommended Operating Conditions*. Exposure to absolute-maximum-rated conditions for extended periods may affect device reliability.
- (2) The algebraic convention, whereby the most negative value is a minimum and the most positive value is a maximum.
- (3) All voltages are with respect to ground, unless otherwise specified.

### 6.2 ESD Ratings

			VALUE	UNIT
$V_{(ESD)}$	Electrostatic discharge	Human body model (HBM), per ANSI/ESDA/JEDEC JS-001 <sup>(1)</sup>	±2000	V
		Charged-device model (CDM), per JEDEC specification JESD22-C101 <sup>(2)</sup>	±1000	

- (1) JEDEC document JEP155 states that 500-V HBM allows safe manufacturing with a standard ESD control process.
- (2) JEDEC document JEP157 states that 250-V CDM allows safe manufacturing with a standard ESD control process.

### 6.3 Recommended Operating Conditions

		MIN	MAX	UNIT
$V_{CC}$	Supply voltage	2.3	5.5	V
$V_{I/O}$ (D+, D-)	Analog input/output voltage	0	18	V
$V_{I/O}$ (D1, D1-, D2+, D2-)		0	3.6	V
$V_I$	Digital input voltage (SEL1, SEL2, $\overline{OE}$ )	0	5.5	V
$V_O$	Digital output voltage ( $\overline{FLT}$ )	0	5.5	V
$I_{I/O}$ (D+, D-, D1+, D1-, D2+, D2-)	Analog input/output port continuous current	-50	50	mA
$I_{OL}$	Digital output current		3	mA
$T_A$	Operating free-air temperature (TS5USBC400) Standard	0	70	°C
$T_A$	Operating free-air temperature (TS5USBC400I) Industrial	-40	85	°C
$T_J$	Junction temperature	-40	125	°C

## 6.4 Thermal Information

THERMAL METRIC <sup>(1)</sup>		TS5USBC400	
		YFP	UNIT
		12 PINS	
R <sub>θJA</sub>	Junction-to-ambient thermal resistance	91.8	°C/W
R <sub>θJC(top)</sub>	Junction-to-case (top) thermal resistance	0.8	°C/W
R <sub>θJB</sub>	Junction-to-board thermal resistance	22.8	°C/W
ψ <sub>JT</sub>	Junction-to-top characterization parameter	0.5	°C/W
ψ <sub>JB</sub>	Junction-to-board characterization parameter	23.0	°C/W

(1) For more information about traditional and new thermal metrics, see the [Semiconductor and IC Package Thermal Metrics](#) application report.

## 6.5 Electrical Characteristics

T<sub>A</sub> = –40°C to +85°C (Industrial), T<sub>A</sub> = 0°C to 70°C (Standard), V<sub>CC</sub> = 2.3 V to 5.5 V, GND = 0V, Typical values are at V<sub>CC</sub> = 3.3 V, T<sub>A</sub> = 25°C, (unless otherwise noted)

PARAMETER		TEST CONDITIONS	MIN	TYP	MAX	UNIT
<b>SUPPLY</b>						
V <sub>CC</sub>	Power supply voltage		2.3		5.5	V
I <sub>CC</sub>	Active supply current	$\overline{OE} = 0\text{ V}$ SEL1, SEL2 = 0 V, 1.8 V or V <sub>CC</sub> 0 V < V <sub>I/O</sub> < 3.6 V		72	100	μA
	Supply current during OVP condition	$\overline{OE} = 0\text{ V}$ SEL1, SEL2 = 0 V, 1.8 V or V <sub>CC</sub> V <sub>I/O</sub> > V <sub>POS_THLD</sub>		80	120	μA
I <sub>CC_PD</sub>	Standby powered down supply current	$\overline{OE} = 1.8\text{ V or }V_{CC}$ SEL1 = 0 V, 1.8 V, or V <sub>CC</sub> SEL2 = 0 V, 1.8 V, or V <sub>CC</sub>		2.2	10	μA
<b>DC Characteristics</b>						
R <sub>ON</sub>	ON-state resistance	V <sub>I/O</sub> = 0.4 V I <sub>SINK</sub> = 8 mA Refer to <a href="#">ON-State Resistance Figure</a>		5.6	9	Ω
ΔR <sub>ON</sub>	ON-state resistance match between channels	V <sub>I/O</sub> = 0.4 V I <sub>SINK</sub> = 8 mA Refer to <a href="#">ON-State Resistance Figure</a>		0.07	0.3	Ω
R <sub>ON (FLAT)</sub>	ON-state resistance flatness	V <sub>I/O</sub> = 0 V to 0.4 V I <sub>SINK</sub> = 8 mA Refer to <a href="#">ON-State Resistance Figure</a>		0.07	0.4	Ω
I <sub>OFF</sub>	I/O pin OFF leakage current	V <sub>D±</sub> = 0 V or 3.6 V V <sub>CC</sub> = 2.3 V to 5.5 V V <sub>D1±</sub> or V <sub>D2±</sub> = 3.6 V or 0 V Refer to <a href="#">Off Leakage Figure</a>	-1	1.2	6	μA
		V <sub>D±</sub> = 0 V or 16 V V <sub>CC</sub> = 2.3 V to 5.5 V V <sub>D1±</sub> or V <sub>D2±</sub> = 0 V Refer to <a href="#">Off Leakage Figure</a>	-1	165	200	μA
I <sub>ON</sub>	ON leakage current	V <sub>D±</sub> = 0 V or 3.6 V V <sub>D1±</sub> and V <sub>D2±</sub> = high-Z Refer to <a href="#">On Leakage Figure</a>	-1	1.2	6	μA
<b>Digital Characteristics</b>						
V <sub>IH</sub>	Input logic high	SEL1, SEL2, $\overline{OE}$	1.4			V
V <sub>IL</sub>	Input logic low	SEL1, SEL2, $\overline{OE}$			0.5	V
V <sub>OL</sub>	Output logic low	$\overline{FLT}$ I <sub>OL</sub> = 3 mA			0.4	V
I <sub>IH</sub>	Input high leakage current	SEL1, SEL2, $\overline{OE} = 1.8\text{ V, }V_{CC}$	-1	1	5	μA
I <sub>IL</sub>	Input low leakage current	SEL1, SEL2, $\overline{OE} = 0\text{ V}$	-1	±0.2	5	μA

**Electrical Characteristics (continued)**

$T_A = -40^\circ\text{C}$  to  $+85^\circ\text{C}$  (Industrial),  $T_A = 0^\circ\text{C}$  to  $70^\circ\text{C}$  (Standard),  $V_{CC} = 2.3\text{ V}$  to  $5.5\text{ V}$ ,  $\text{GND} = 0\text{V}$ , Typical values are at  $V_{CC} = 3.3\text{ V}$ ,  $T_A = 25^\circ\text{C}$ , (unless otherwise noted)

PARAMETER		TEST CONDITIONS	MIN	TYP	MAX	UNIT
$R_{PD}$	Internal pull-down resistor on digital input pins			6		$\text{M}\Omega$
$C_1$	Digital input capacitance	SEL1, SEL2 = 0 V, 1.8 V or VCC $f = 1\text{ MHz}$		3.4		pF
<b>Protection</b>						
$V_{OVP\_TH}$	OVP positive threshold		4.5	4.8	5.2	V
$V_{OVP\_HYST}$	OVP threshold hysteresis		75	230	425	mV
$V_{CLAMP\_V}$	Maximum voltage to appear on D1± and D2± pins during OVP scenario	$V_{D\pm} = 0$ to 18 V $t_{RISE}$ and $t_{FALL}(10\% \text{ to } 90\%) = 100\text{ ns}$ $R_L = \text{Open}$ Switch on or off $\overline{OE} = 0\text{ V}$	0		9.6	V
		$V_{D\pm} = 0$ to 18 V $t_{RISE}$ and $t_{FALL}(10\% \text{ to } 90\%) = 100\text{ ns}$ $R_L = 50\Omega$ Switch on or off $\overline{OE} = 0\text{ V}$	0		9.0	V
$t_{EN\_OVP}$	OVP enable time	$R_{PU} = 10\text{ k}\Omega$ to VCC ( $\overline{FLT}$ ) $C_L = 35\text{ pF}$ Refer to <a href="#">OVP Timing Diagram Figure</a>		0.6	3	$\mu\text{s}$
$t_{REC\_OVP}$	OVP recovery time	$R_{PU} = 10\text{ k}\Omega$ to VCC ( $\overline{FLT}$ ) $C_L = 35\text{ pF}$ Refer to <a href="#">OVP Timing Diagram Figure</a>		1.5	5	$\mu\text{s}$

## 6.6 Dynamic Characteristics

$T_A = -40^{\circ}\text{C}$  to  $+85^{\circ}\text{C}$  (Industrial),  $T_A = 0^{\circ}\text{C}$  to  $70^{\circ}\text{C}$  (Standard),  $V_{CC} = 2.3\text{ V}$  to  $5.5\text{ V}$ ,  $GND = 0\text{ V}$ , Typical values are at  $V_{CC} = 3.3\text{ V}$ ,  $T_A = 25^{\circ}\text{C}$ , (unless otherwise noted)

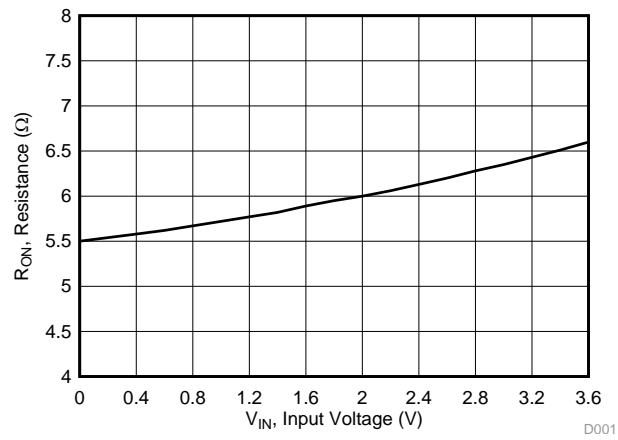
PARAMETER		TEST CONDITIONS	MIN	TYP	MAX	UNIT	
$C_{OFF}$	D+, D- off capacitance	$V_{D+/-} = 0$ or $3.3\text{ V}$ , $\overline{OE} = V_{CC}$ $f = 240\text{ MHz}$	Switch OFF	1.2	3.5	6.2	pF
	D1+, D1-, D2+, D2- off capacitance	$V_{D+/-} = 0$ or $3.3\text{ V}$ , $\overline{OE} = V_{CC}$ or $\overline{OE} = 0\text{ V}$ with SEL1, SEL2 (switch not selected) $f = 240\text{ MHz}$	Switch OFF or not selected	1.2	3.5	6.2	pF
$C_{ON}$	IO pins ON capacitance	$V_{D+/-} = 0$ or $3.3\text{ V}$ , $f = 240\text{ MHz}$	Switch ON	1.4	4.5	6.2	pF
$O_{ISO}$	Differential off isolation	$R_L = 50\ \Omega$ $C_L = 5\text{ pF}$ $f = 100\text{ kHz}$ Refer to <a href="#">Off Isolation Figure</a>	Switch OFF		-90		dB
		$R_L = 50\ \Omega$ $C_L = 5\text{ pF}$ $f = 240\text{ MHz}$ Refer to <a href="#">Off Isolation Figure</a>	Switch OFF		-22		dB
$X_{TALK}$	Channel to Channel crosstalk	$R_L = 50\ \Omega$ $C_L = 5\text{ pF}$ $f = 100\text{ kHz}$ Refer to <a href="#">Crosstalk Figure</a>	Switch ON		-90		dB
BW	Bandwidth	$R_L = 50\ \Omega$ ; Refer to <a href="#">BW and Insertion Loss Figure</a>	Switch ON		1.1		GHz
$I_{LOSS}$	Insertion loss	$R_L = 50\ \Omega$ $f = 240\text{ MHz}$ ; Refer to <a href="#">BW and Insertion Loss Figure</a>	Switch ON		-0.7		dB

## 6.7 Timing Requirements

$T_A = -40^{\circ}\text{C}$  to  $+85^{\circ}\text{C}$  (Industrial),  $T_A = 0^{\circ}\text{C}$  to  $70^{\circ}\text{C}$  (Standard),  $V_{CC} = 2.3\text{ V}$  to  $5.5\text{ V}$ ,  $GND = 0\text{ V}$ , Typical values are at  $V_{CC} = 3.3\text{ V}$ ,  $T_A = 25^{\circ}\text{C}$ , (unless otherwise noted)

PARAMETER		TEST CONDITIONS	MIN	NOM	MAX	UNIT
$t_{switch}$	Switching time between channels (SEL1, SEL2 to output)	$V_{D+/-} = 0.8\text{ V}$ Refer to <a href="#">Tswitch Timing Figure</a>		0.45	1.2	$\mu\text{s}$
$t_{on}$	Device turn on time ( $\overline{OE}$ to output)	$V_{D+/-} = 0.8\text{ V}$ Refer to <a href="#">Ton and Toff Figure</a>	$R_L = 50\ \Omega$ , $C_L = 5\text{ pF}$ , $V_{CC} = 2.3\text{ V}$ to $5.5\text{ V}$	100	250	$\mu\text{s}$
$t_{off}$	Device turn off time ( $\overline{OE}$ to output)	$V_{D+/-} = 0.8\text{ V}$ Refer to <a href="#">Ton and Toff Figure</a>		0.35	1	$\mu\text{s}$
$t_{SK(P)}$	Skew of opposite transitions of same output (between D+ and D-)	$V_{D+/-} = 0.4\text{ V}$ Refer to <a href="#">Tsk Figure</a>	$R_L = 50\ \Omega$ , $C_L = 1\text{ pF}$ , $V_{CC} = 2.3\text{ V}$ to $5.5\text{ V}$	9	50	ps
$t_{pd}$	Propagation delay	$V_{D+/-} = 0.4\text{ V}$ Refer to <a href="#">Tpd Figure</a>	$R_L = 50\ \Omega$ , $C_L = 5\text{ pF}$ , $V_{CC} = 2.3\text{ V}$ to $5.5\text{ V}$	130	180	ps

## 6.8 Typical Characteristics

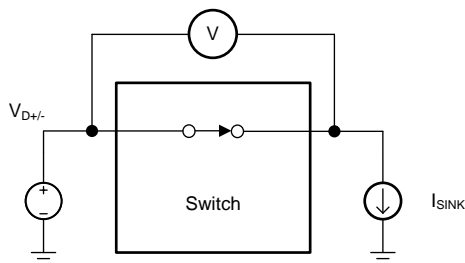


$V_{CC} = 3.3 \text{ V}$        $T_A = 25^\circ\text{C}$

**Figure 1. ON-Resistance vs Input Voltage**



## 7 Parameter Measurement Information



Channel ON,  $R_{ON} = V/I_{SINK}$

Figure 2. ON-State Resistance ( $R_{ON}$ )

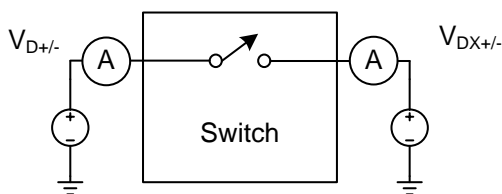


Figure 3. Off Leakage

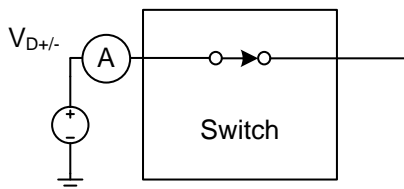
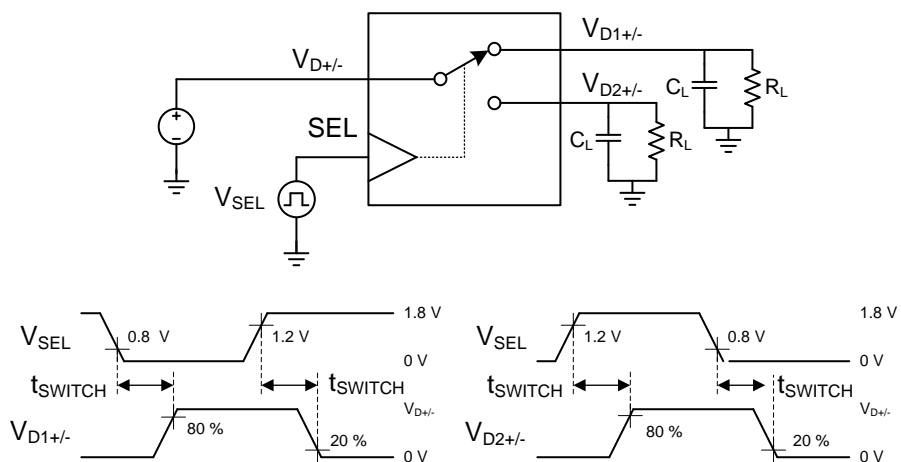


Figure 4. On Leakage

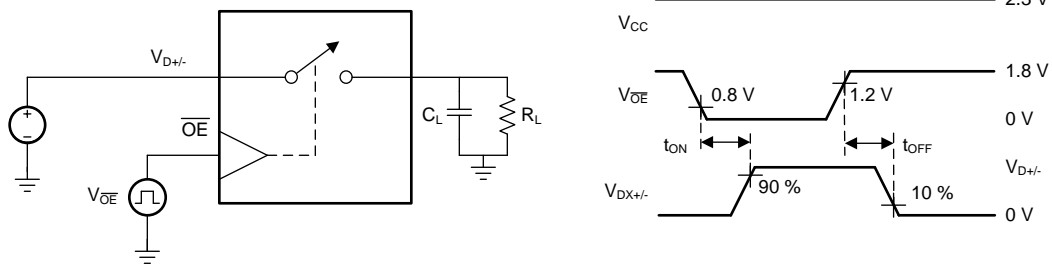


Copyright © 2017, Texas Instruments Incorporated

- (1) All input pulses are supplied by generators having the following characteristics: PRR  $\leq$  10 MHz,  $Z_O = 50 \Omega$ ,  $t_r < 500$  ps,  $t_f < 500$  ps.
- (2)  $C_L$  includes probe and jig capacitance.

Figure 5.  $t_{SWITCH}$  Timing

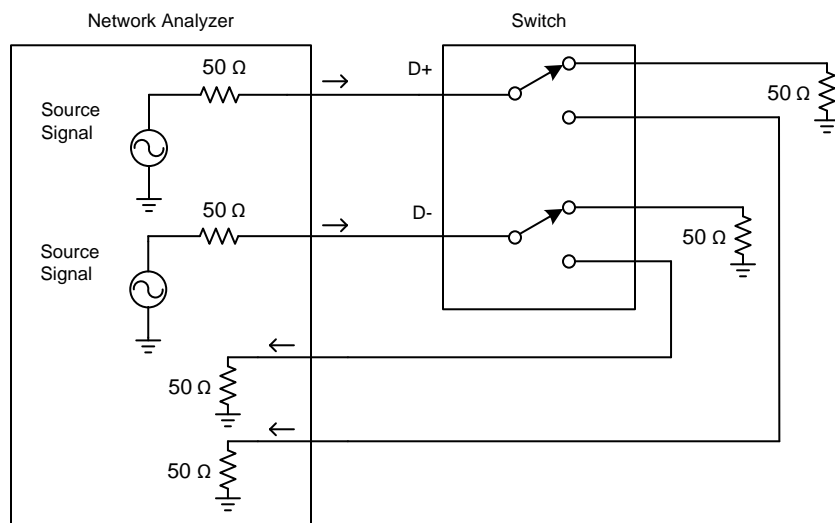
**Parameter Measurement Information (continued)**



Copyright © 2017, Texas Instruments Incorporated

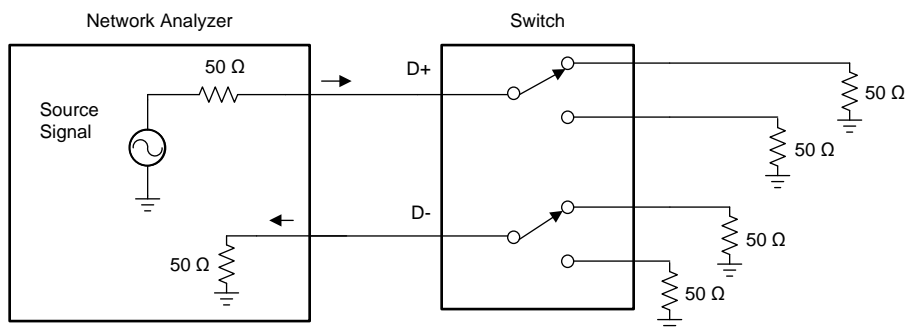
- (1) All input pulses are supplied by generators having the following characteristics: PRR ≤ 10 MHz, Z<sub>O</sub> = 50 Ω, t<sub>r</sub> < 500 ps, t<sub>f</sub> < 500 ps.
- (2) C<sub>L</sub> includes probe and jig capacitance.

**Figure 6. t<sub>ON</sub>, t<sub>OFF</sub> for  $\overline{OE}$**



Copyright © 2017, Texas Instruments Incorporated

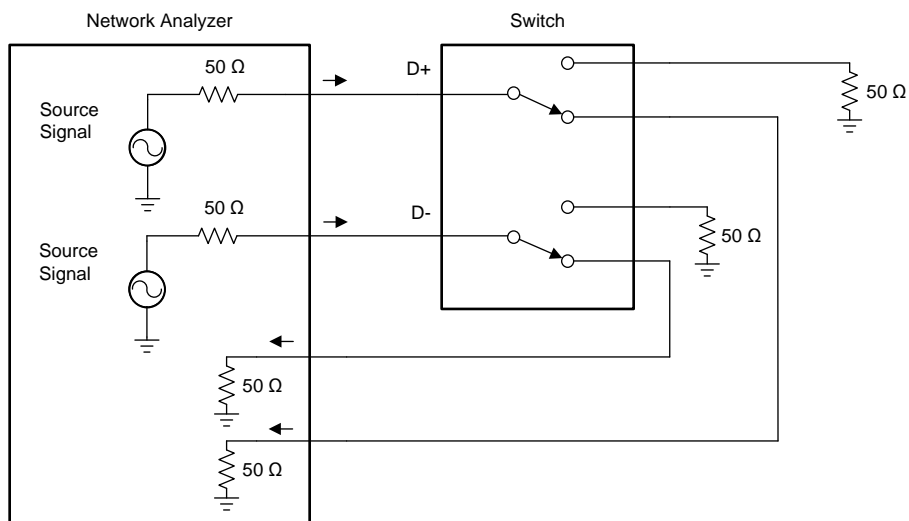
**Figure 7. Off Isolation**



Copyright © 2017, Texas Instruments Incorporated

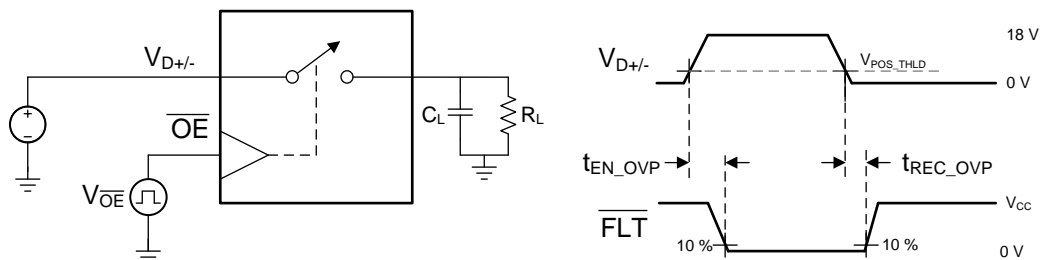
**Figure 8. Cross Talk**

Parameter Measurement Information (continued)



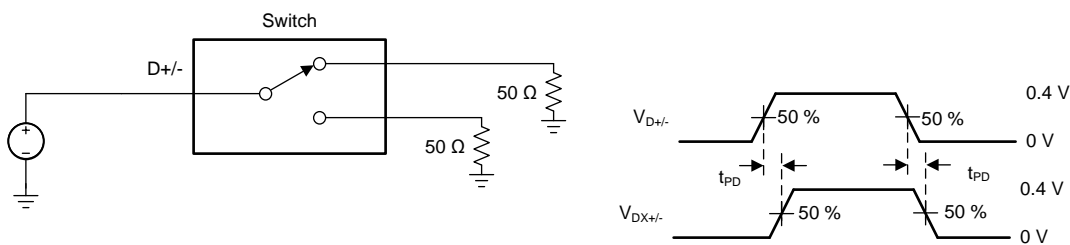
Copyright © 2017, Texas Instruments Incorporated

Figure 9. BW and Insertion Loss



Copyright © 2017, Texas Instruments Incorporated

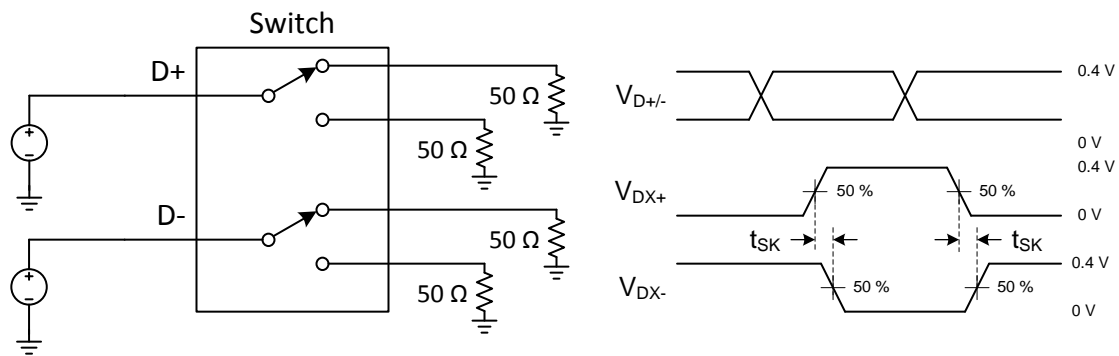
Figure 10.  $t_{EN\_OVP}$  and  $t_{DIS\_OVP}$  Timing Diagram



Copyright © 2017, Texas Instruments Incorporated

- (1) All input pulses are supplied by generators having the following characteristics:  $PRR \leq 10 \text{ MHz}$ ,  $Z_O = 50 \Omega$ ,  $t_r < 500 \text{ ps}$ ,  $t_f < 500 \text{ ps}$ .
- (2)  $C_L$  includes probe and jig capacitance.

Figure 11.  $t_{PD}$

**Parameter Measurement Information (continued)**


Copyright © 2017, Texas Instruments Incorporated

- (1) All input pulses are supplied by generators having the following characteristics:  $PRR \leq 10 \text{ MHz}$ ,  $Z_O = 50 \Omega$ ,  $t_r < 500 \text{ ps}$ ,  $t_f < 500 \text{ ps}$ .
- (2)  $C_L$  includes probe and jig capacitance.

**Figure 12.  $t_{SK}$**

## 8 Detailed Description

### 8.1 Overview

The TS5USBC400 is a bidirectional low-power dual port, high-speed, USB 2.0 analog switch with integrated protection for USB Type-C systems. The device is configured as a dual 2:1 or 1:2 switch and is optimized for handling the USB 2.0 D+/- lines in a USB Type-C system as shown in Figure 13.

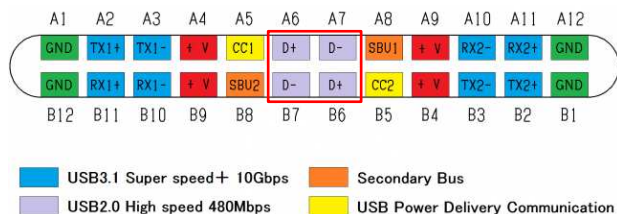
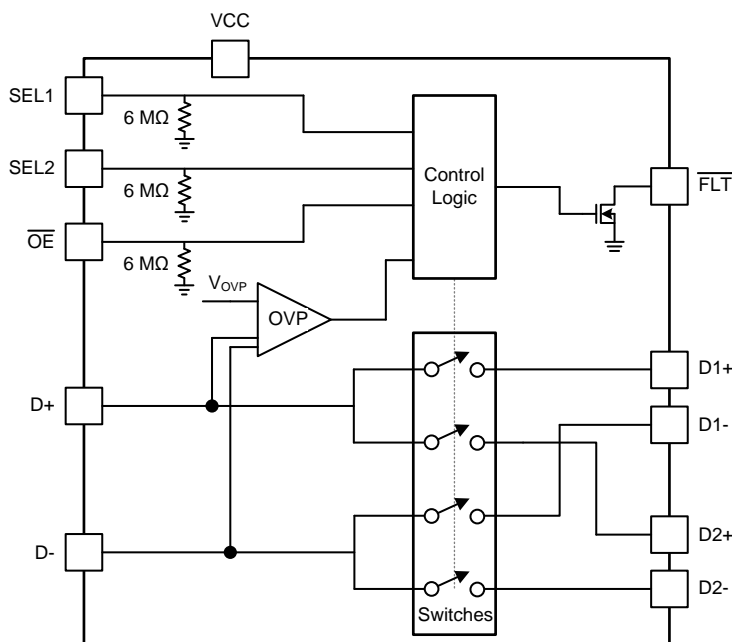


Figure 13. USB Type-C Connector Pinout

The TS5USBC400 also works in traditional USB systems that need protection from fault conditions such as automotive and applications that require higher voltage charging. The device maintains excellent signal integrity through the optimization of both  $R_{ON}$  and BW while protecting the system with 0 V to 16 V OVP protection. The OVP implementation is designed to protect sensitive system components behind the switch that cannot survive a fault condition where VBUS is shorted the D+ and D- pins on the connector.

### 8.2 Functional Block Diagram



Copyright © 2017, Texas Instruments Incorporated

### 8.3 Feature Description

#### 8.3.1 Powered-off Protection

When the TS5USBC400 is powered off the I/Os of the device remain in a high-Z state. The crosstalk, off-isolation, and leakage remain within the [Electrical Specifications](#).

This prevents errant voltages from reaching the rest of the system and maintains isolation when the system is powering up.

#### 8.3.2 Overvoltage Protection

The OVP of the TS5USBC400 is designed to protect the system from D+/- shorts to VBUS at the USB and USB Type-C connector. [Figure 14](#) depicts a moisture short that would cause 16 V to appear on an existing USB solution that could pass through the device and damage components behind the device.

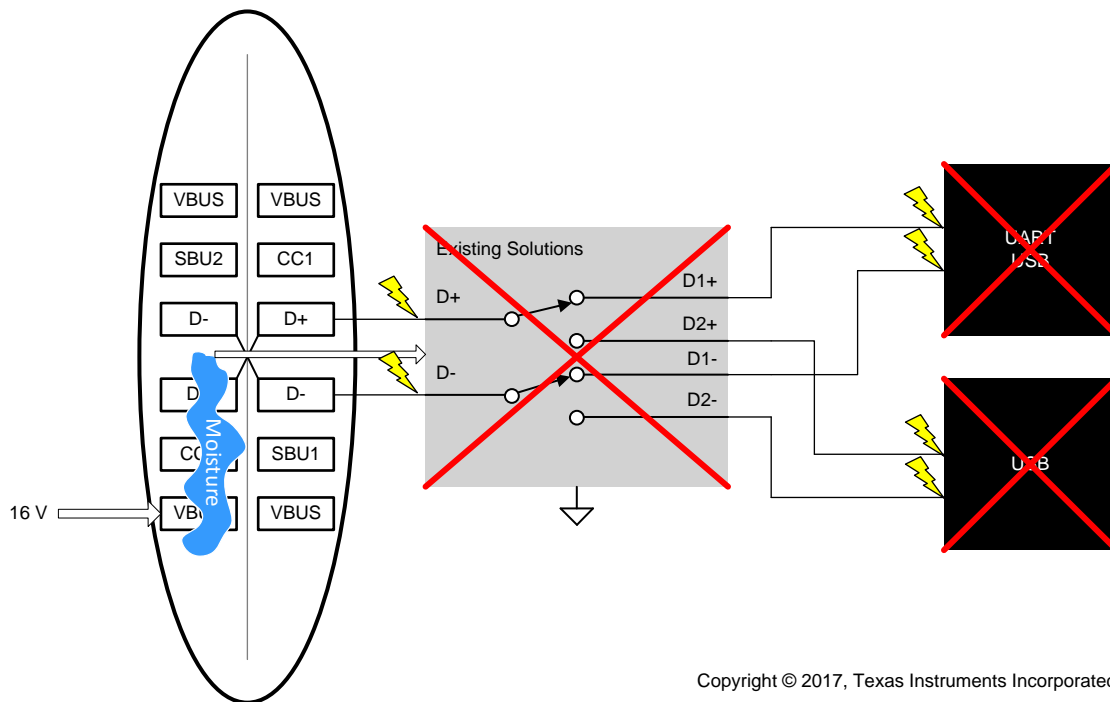


Figure 14. Existing Solution Being Damaged by a Short, 16 V

The TS5USBC400 will open the switches and protect the rest of the system by blocking the 16 V as depicted in .

Feature Description (continued)

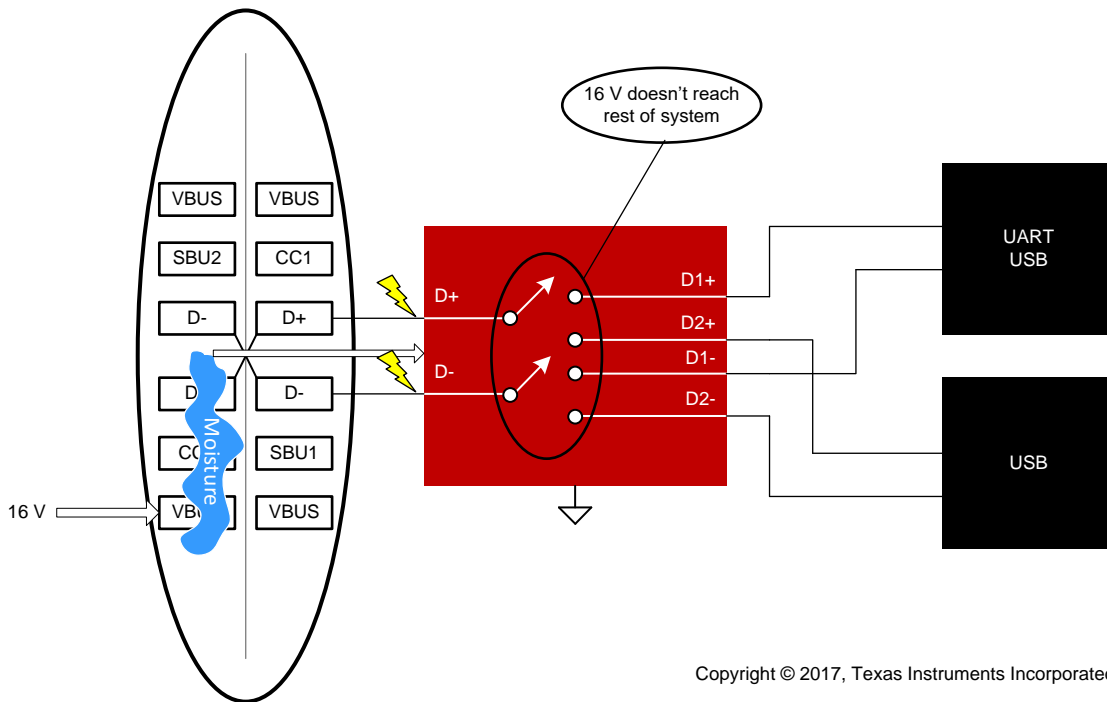


Figure 15. Protecting During a 16-V Short

Figure 16 is a waveform showing the voltage on the pins during an over-voltage scenario.

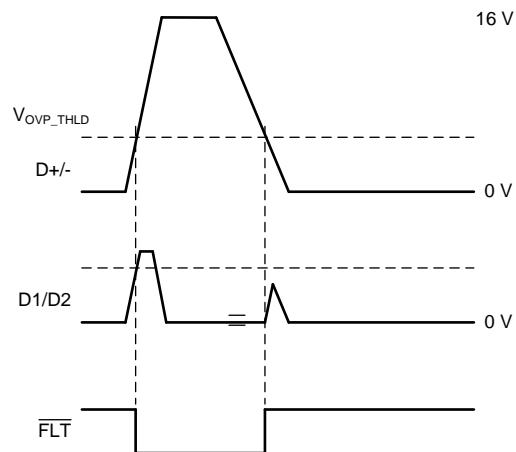


Figure 16. Overvoltage Protection Waveform, 16 V

## 8.4 Device Functional Modes

### 8.4.1 Pin Functions

**Table 1. Function Table**

$\overline{\text{OE}}$	SEL1	SEL2	D- Connection	D+ Connection
H	X	X	High-Z	High-Z
L	L	L	D- to D1-	D+ to D1+
L	L	H	D- to D1-	D+ to D2+
L	H	L	D- to D2-	D+ to D1+
L	H	H	D- to D2-	D+ to D2+



## 9 Application and Implementation

### NOTE

Information in the following applications sections is not part of the TI component specification, and TI does not warrant its accuracy or completeness. TI's customers are responsible for determining suitability of components for their purposes. Customers should validate and test their design implementation to confirm system functionality.

### 9.1 Application Information

There are many USB applications in which the USB hubs or controllers have a limited number of USB I/Os or need to route signals from a single USB connector. The TS5USBC400 solution can effectively expand the limited USB I/Os by switching between multiple USB buses to interface them to a single USB hub or controller or route signals from one connector to two different locations. With independent control of the two switches using SEL1 and SEL2, TS5USBC400 can be used to cross switch single ended signals.

### 9.2 Typical Application

TS5USBC400 USB/UART switch. The TS5USBC400 is used to switch signals between the USB path, which goes to the baseband or application processor, or the UART path, which goes to debug port. The TS5USBC400 has internal 6-M $\Omega$  pull-down resistors on SEL1, SEL2, and  $\overline{OE}$ . The pull-down on SEL1 and SEL2 pins ensure the D1+/D1- channel is selected by default. The pull-down on  $\overline{OE}$  enables the switch when power is applied.

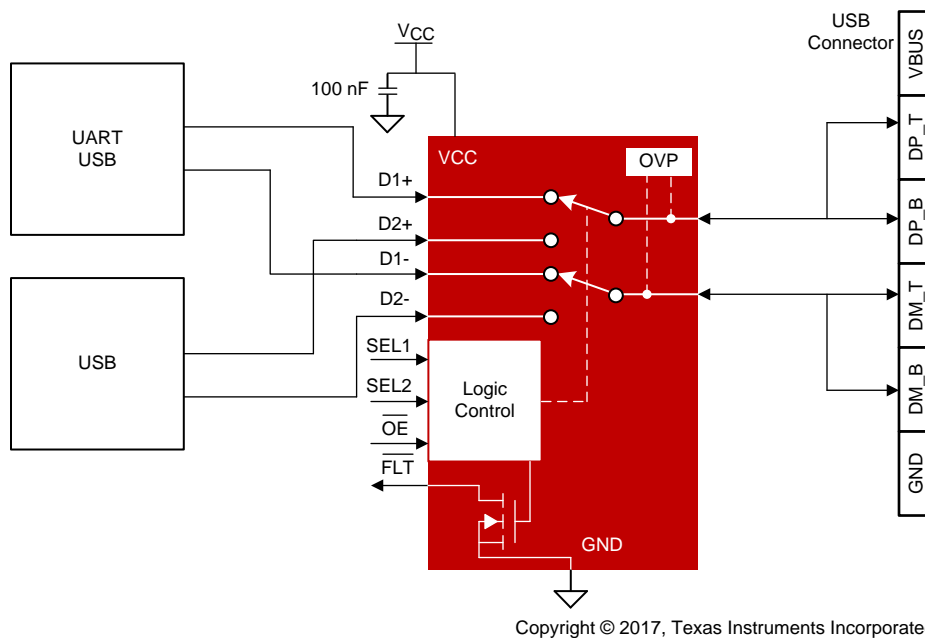


Figure 17. Typical TS5USBC400 Application

#### 9.2.1 Design Requirements

Design requirements of USB 1.0, 1.1, and 2.0 standards must be followed. The TS5USBC400 has internal 6-M $\Omega$  pull-down resistors on SEL1, SEL2, and  $\overline{OE}$ , so no external resistors are required on the logic pins. The internal pull-down resistor on SEL1 and SEL2 pins ensures the D1+ and D1- channels are selected by default. The internal pull-down resistor on  $\overline{OE}$  enables the switch when power is applied to VCC.

#### 9.2.2 Detailed Design Procedure

The TS5USBC400 can be properly operated without any external components. However, TI recommends that unused pins must be connected to ground through a 50- $\Omega$  resistor to prevent signal reflections back into the device. TI does recommend a 100nF bypass capacitor placed close to TS5USBC400 VCC pin.

## Typical Application (continued)

### 9.2.3 Application Curves

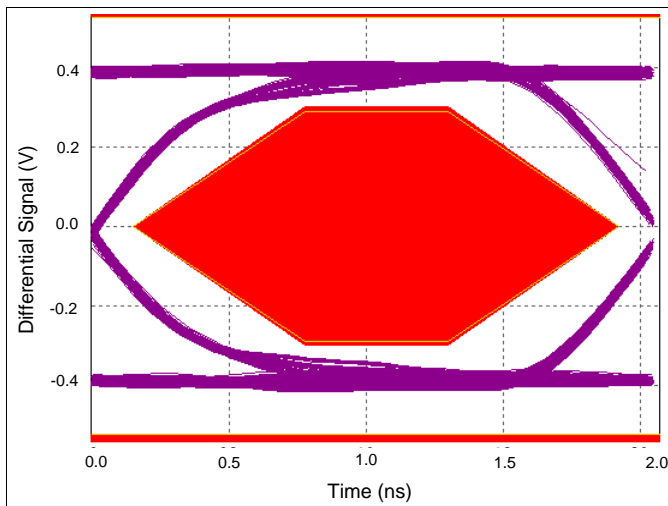


Figure 18. High Speed Eye Diagram With TS5USBC400

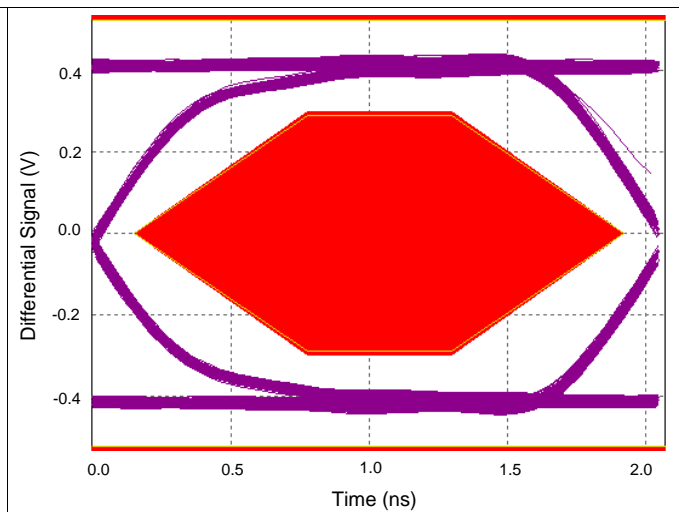


Figure 19. High Speed Eye Diagram Without TS5USBC400

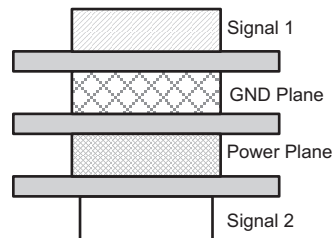
## 10 Power Supply Recommendations

Power to the device is supplied through the VCC pin and must follow the USB 1.0, 1.1, and 2.0 standards. TI recommends placing a 100nF bypass capacitor as close to the supply pin VCC as possible to help smooth out lower frequency noise to provide better load regulation across the frequency spectrum.

## 11 Layout

### 11.1 Layout Guidelines

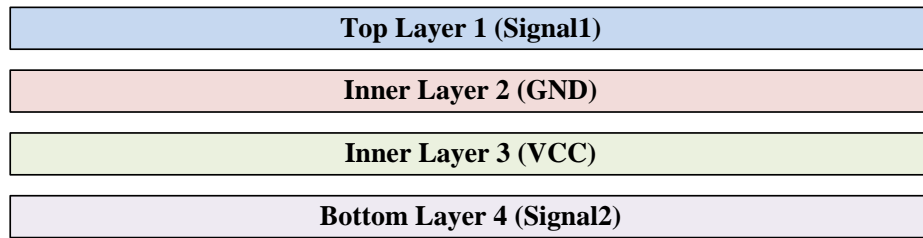
1. Place supply bypass capacitors as close to VCC pin as possible and avoid placing the bypass caps near the  $D_{\pm}$  traces.
2. The high-speed  $D_{\pm}$  must match and be no more than 4 inches long; otherwise, the eye diagram performance may be degraded. A high-speed USB connection is made through a shielded, twisted pair cable with a differential characteristic impedance. In layout, the impedance of  $D+$  and  $D-$  traces must match the cable characteristic differential impedance for optimal performance.
3. Route the high-speed USB signals using a minimum of vias and corners which reduces signal reflections and impedance changes. When a via must be used, increase the clearance size around it to minimize its capacitance. Each via introduces discontinuities in the signal's transmission line and increases the chance of picking up interference from the other layers of the board. Be careful when designing test points on twisted pair lines; through-hole pins are not recommended.
4. When it becomes necessary to turn  $90^{\circ}$ , use two  $45^{\circ}$  turns or an arc instead of making a single  $90^{\circ}$  turn. This reduces reflections on the signal traces by minimizing impedance discontinuities.
5. Do not route USB traces under or near crystals, oscillators, clock signal generators, switching regulators, mounting holes, magnetic devices or ICs that use or duplicate clock signals.
6. Avoid stubs on the high-speed USB signals because they cause signal reflections. If a stub is unavoidable, then the stub must be less than 200 mm.
7. Route all high-speed USB signal traces over continuous GND planes, with no interruptions.
8. Avoid crossing over anti-etch, commonly found with plane splits.
9. Due to high frequencies associated with the USB, a printed circuit board with at least four layers is recommended; two signal layers separated by a ground and power layer as shown in [Figure 20](#).



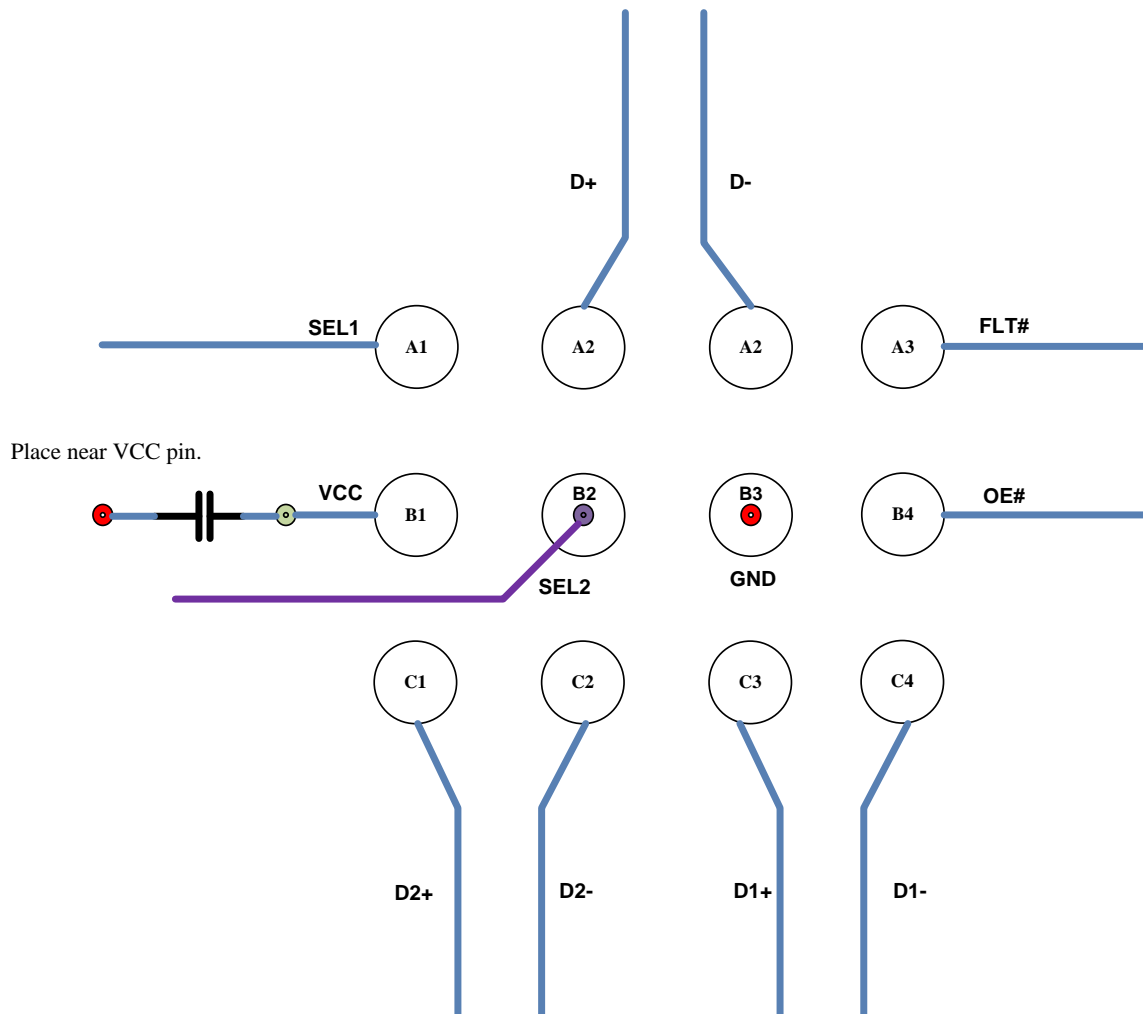
**Figure 20. Four-Layer Board Stack-Up**

The majority of signal traces must run on a single layer, preferably Signal 1. Immediately next to this layer must be the GND plane, which is solid with no cuts. Avoid running signal traces across a split in the ground or power plane. When running across split planes is unavoidable, sufficient decoupling must be used. Minimizing the number of signal vias reduces EMI by reducing inductance at high frequencies.

## 11.2 Layout Example

**Example 4 layer PCB Stackup**


- Via to layer 2 (GND)
- Via to layer 3 (VCC)
- Via to layer 4 (Signal)


**Figure 21. Layout Example**

## 12 Device and Documentation Support

### 12.1 Documentation Support

#### 12.1.1 Related Documentation

For related documentation see the following:

- [USB 2.0 Board Design and Layout Guidelines](#)
- [High-Speed Layout Guidelines Application Report](#)
- [High-Speed Interface Layout Guidelines](#)

### 12.2 Community Resources

The following links connect to TI community resources. Linked contents are provided "AS IS" by the respective contributors. They do not constitute TI specifications and do not necessarily reflect TI's views; see TI's [Terms of Use](#).

**TI E2E™ Online Community** *TI's Engineer-to-Engineer (E2E) Community*. Created to foster collaboration among engineers. At [e2e.ti.com](#), you can ask questions, share knowledge, explore ideas and help solve problems with fellow engineers.

**Design Support** *TI's Design Support* Quickly find helpful E2E forums along with design support tools and contact information for technical support.

### 12.3 Trademarks

E2E is a trademark of Texas Instruments.

USB Type-C is a trademark of USB Implementers Forum.

All other trademarks are the property of their respective owners.

### 12.4 Electrostatic Discharge Caution



This integrated circuit can be damaged by ESD. Texas Instruments recommends that all integrated circuits be handled with appropriate precautions. Failure to observe proper handling and installation procedures can cause damage.

ESD damage can range from subtle performance degradation to complete device failure. Precision integrated circuits may be more susceptible to damage because very small parametric changes could cause the device not to meet its published specifications.

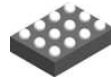
### 12.5 Glossary

[SLYZ022](#) — *TI Glossary*.

This glossary lists and explains terms, acronyms, and definitions.

## 13 Mechanical, Packaging, and Orderable Information

The following pages include mechanical, packaging, and orderable information. This information is the most current data available for the designated devices. This data is subject to change without notice and revision of this document. For browser-based versions of this data sheet, refer to the left-hand navigation.

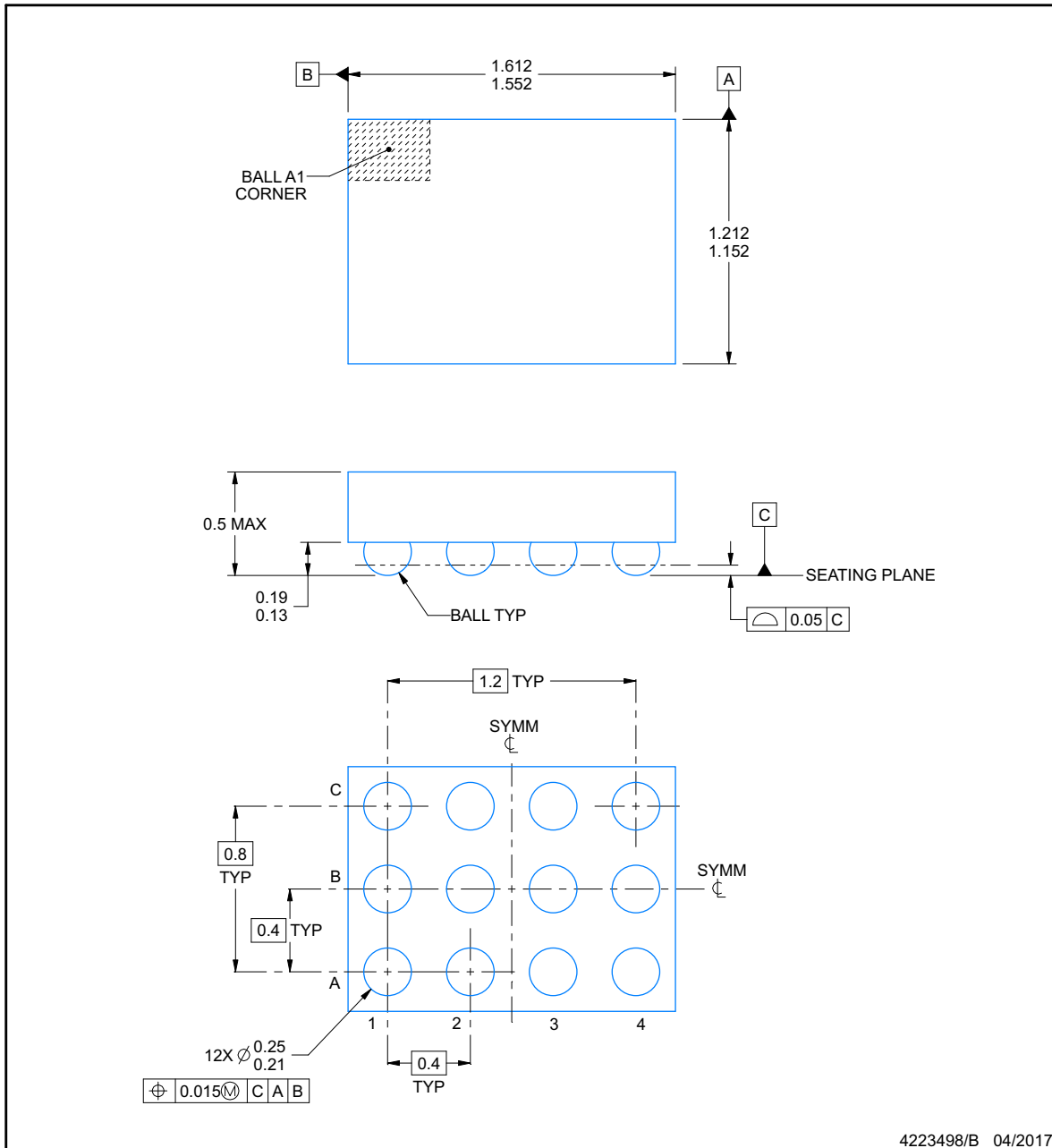


**YFP0012-C01**

**PACKAGE OUTLINE**

**DSBGA - 0.5 mm max height**

DIE SIZE BALL GRID ARRAY



**NOTES:**

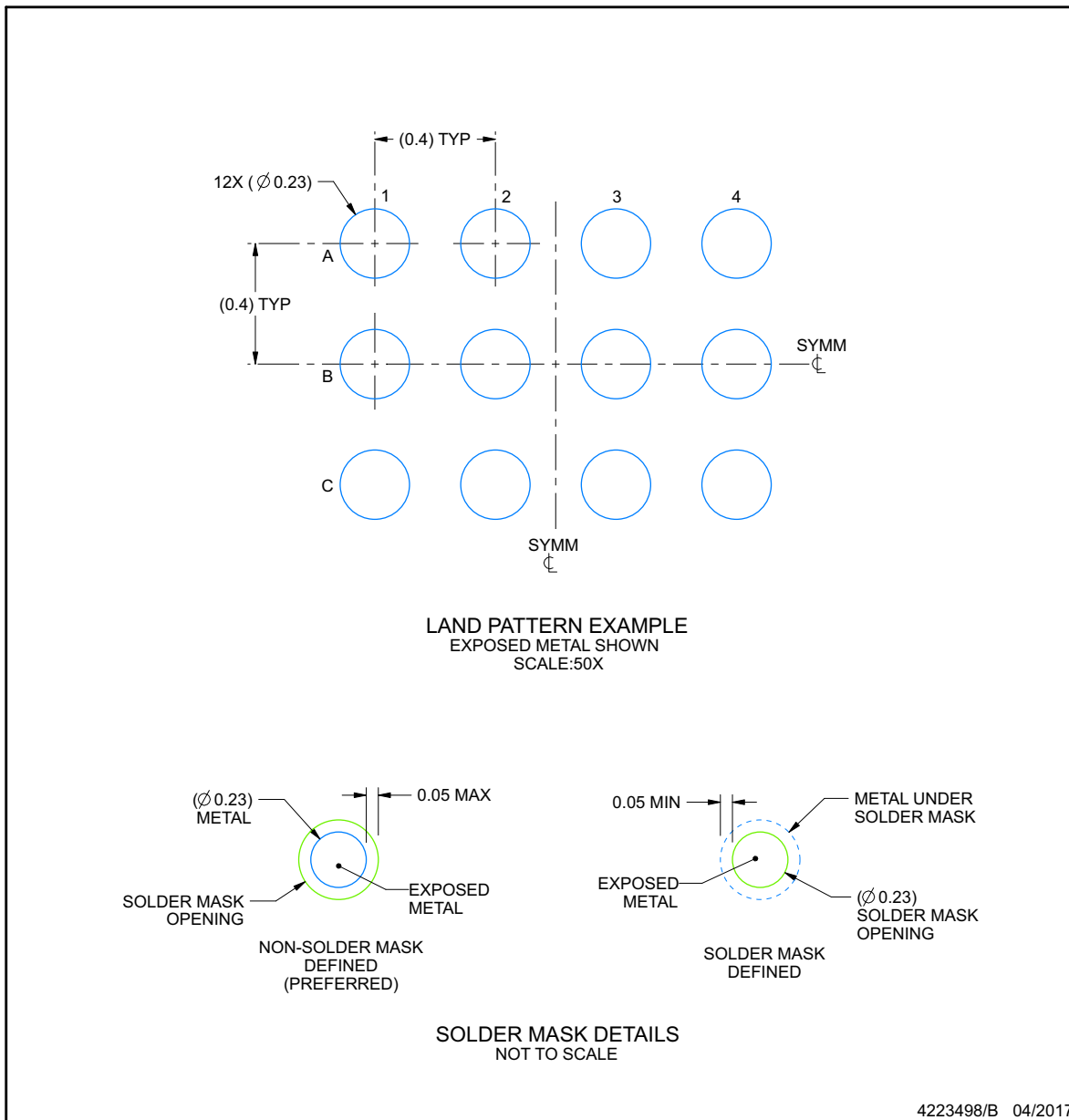
1. All linear dimensions are in millimeters. Any dimensions in parenthesis are for reference only. Dimensioning and tolerancing per ASME Y14.5M.
2. This drawing is subject to change without notice.

## EXAMPLE BOARD LAYOUT

YFP0012-C01

DSBGA - 0.5 mm max height

DIE SIZE BALL GRID ARRAY



NOTES: (continued)

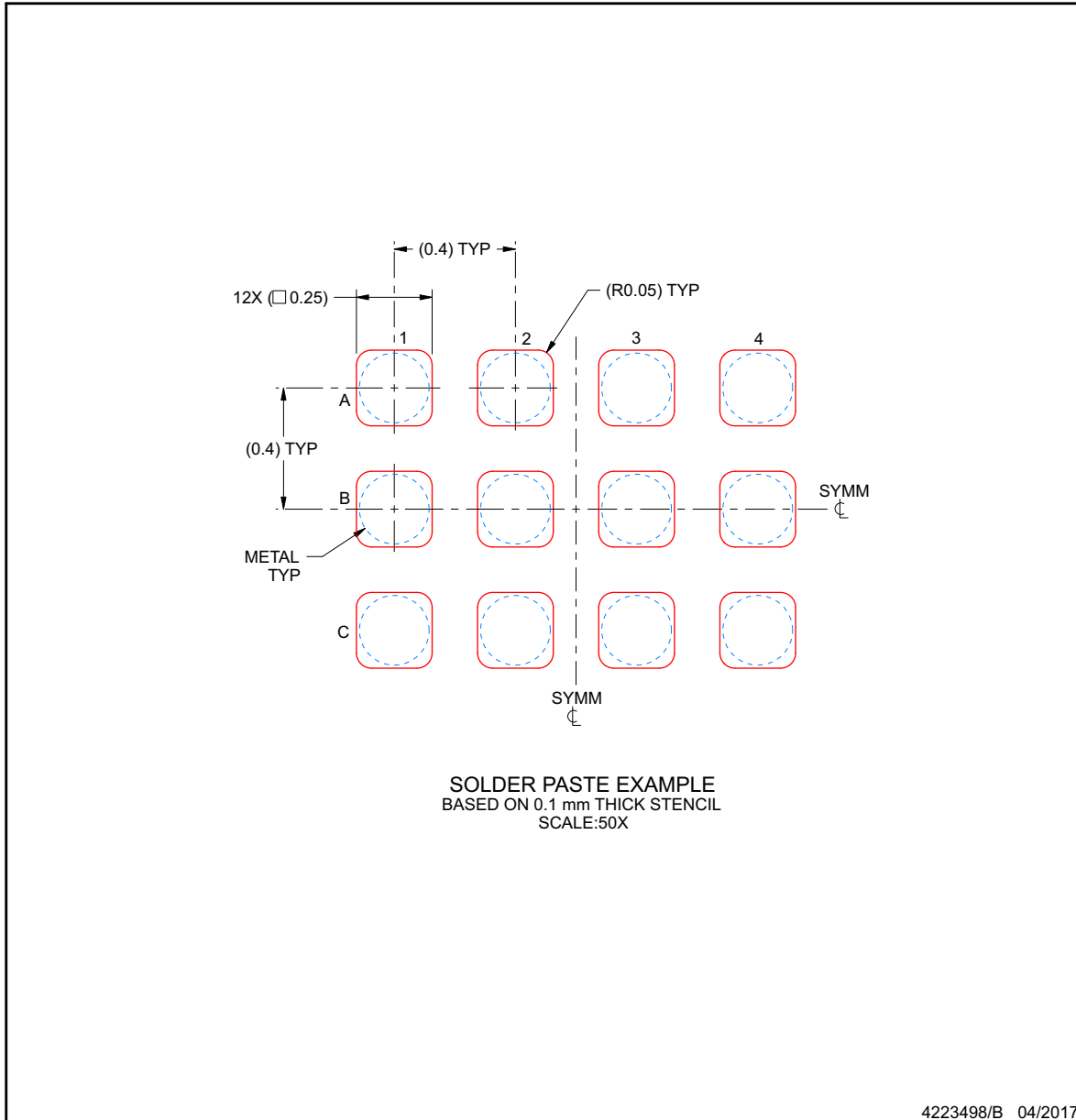
- Final dimensions may vary due to manufacturing tolerance considerations and also routing constraints. For more information, see Texas Instruments literature number SNVA009 ([www.ti.com/lit/snva009](http://www.ti.com/lit/snva009)).

EXAMPLE STENCIL DESIGN

YFP0012-C01

DSBGA - 0.5 mm max height

DIE SIZE BALL GRID ARRAY



NOTES: (continued)

- 4. Laser cutting apertures with trapezoidal walls and rounded corners may offer better paste release.



**PACKAGING INFORMATION**

Orderable Device	Status (1)	Package Type	Package Drawing	Pins	Package Qty	Eco Plan (2)	Lead/Ball Finish (6)	MSL Peak Temp (3)	Op Temp (°C)	Device Marking (4/5)	Samples
TS5USBC400IYFPR	ACTIVE	DSBGA	YFP	12	3000	Green (RoHS & no Sb/Br)	SNAGCU	Level-1-260C-UNLIM	-40 to 85	USB4	<a href="#">Samples</a>
TS5USBC400IYFPT	ACTIVE	DSBGA	YFP	12	250	Green (RoHS & no Sb/Br)	SNAGCU	Level-1-260C-UNLIM	-40 to 85	USB4	<a href="#">Samples</a>
TS5USBC400YFPR	ACTIVE	DSBGA	YFP	12	3000	Green (RoHS & no Sb/Br)	SNAGCU	Level-1-260C-UNLIM	0 to 70	USB4	<a href="#">Samples</a>
TS5USBC400YFPT	ACTIVE	DSBGA	YFP	12	250	Green (RoHS & no Sb/Br)	SNAGCU	Level-1-260C-UNLIM	0 to 70	USB4	<a href="#">Samples</a>

(1) The marketing status values are defined as follows:

**ACTIVE:** Product device recommended for new designs.

**LIFEBUY:** TI has announced that the device will be discontinued, and a lifetime-buy period is in effect.

**NRND:** Not recommended for new designs. Device is in production to support existing customers, but TI does not recommend using this part in a new design.

**PREVIEW:** Device has been announced but is not in production. Samples may or may not be available.

**OBSELETE:** TI has discontinued the production of the device.

(2) **RoHS:** TI defines "RoHS" to mean semiconductor products that are compliant with the current EU RoHS requirements for all 10 RoHS substances, including the requirement that RoHS substance do not exceed 0.1% by weight in homogeneous materials. Where designed to be soldered at high temperatures, "RoHS" products are suitable for use in specified lead-free processes. TI may reference these types of products as "Pb-Free".

**RoHS Exempt:** TI defines "RoHS Exempt" to mean products that contain lead but are compliant with EU RoHS pursuant to a specific EU RoHS exemption.

**Green:** TI defines "Green" to mean the content of Chlorine (Cl) and Bromine (Br) based flame retardants meet JS709B low halogen requirements of <=1000ppm threshold. Antimony trioxide based flame retardants must also meet the <=1000ppm threshold requirement.

(3) MSL, Peak Temp. - The Moisture Sensitivity Level rating according to the JEDEC industry standard classifications, and peak solder temperature.

(4) There may be additional marking, which relates to the logo, the lot trace code information, or the environmental category on the device.

(5) Multiple Device Markings will be inside parentheses. Only one Device Marking contained in parentheses and separated by a "-" will appear on a device. If a line is indented then it is a continuation of the previous line and the two combined represent the entire Device Marking for that device.

(6) Lead/Ball Finish - Orderable Devices may have multiple material finish options. Finish options are separated by a vertical ruled line. Lead/Ball Finish values may wrap to two lines if the finish value exceeds the maximum column width.

**Important Information and Disclaimer:**The information provided on this page represents TI's knowledge and belief as of the date that it is provided. TI bases its knowledge and belief on information provided by third parties, and makes no representation or warranty as to the accuracy of such information. Efforts are underway to better integrate information from third parties. TI has taken and

continues to take reasonable steps to provide representative and accurate information but may not have conducted destructive testing or chemical analysis on incoming materials and chemicals. TI and TI suppliers consider certain information to be proprietary, and thus CAS numbers and other limited information may not be available for release.

In no event shall TI's liability arising out of such information exceed the total purchase price of the TI part(s) at issue in this document sold by TI to Customer on an annual basis.

**TAPE AND REEL INFORMATION**

**QUADRANT ASSIGNMENTS FOR PIN 1 ORIENTATION IN TAPE**


\*All dimensions are nominal

Device	Package Type	Package Drawing	Pins	SPQ	Reel Diameter (mm)	Reel Width W1 (mm)	A0 (mm)	B0 (mm)	K0 (mm)	P1 (mm)	W (mm)	Pin1 Quadrant
TS5USBC400IYFPR	DSBGA	YFP	12	3000	180.0	8.4	1.32	1.72	0.62	4.0	8.0	Q2
TS5USBC400IYFPT	DSBGA	YFP	12	250	180.0	8.4	1.32	1.72	0.62	4.0	8.0	Q2
TS5USBC400YFPR	DSBGA	YFP	12	3000	180.0	8.4	1.32	1.72	0.62	4.0	8.0	Q2
TS5USBC400YFPT	DSBGA	YFP	12	250	180.0	8.4	1.32	1.72	0.62	4.0	8.0	Q2

**TAPE AND REEL BOX DIMENSIONS**


\*All dimensions are nominal

Device	Package Type	Package Drawing	Pins	SPQ	Length (mm)	Width (mm)	Height (mm)
TS5USBC400IYFPR	DSBGA	YFP	12	3000	182.0	182.0	20.0
TS5USBC400IYFPT	DSBGA	YFP	12	250	182.0	182.0	20.0
TS5USBC400YFPR	DSBGA	YFP	12	3000	182.0	182.0	20.0
TS5USBC400YFPT	DSBGA	YFP	12	250	182.0	182.0	20.0

## IMPORTANT NOTICE

Texas Instruments Incorporated (TI) reserves the right to make corrections, enhancements, improvements and other changes to its semiconductor products and services per JESD46, latest issue, and to discontinue any product or service per JESD48, latest issue. Buyers should obtain the latest relevant information before placing orders and should verify that such information is current and complete.

TI's published terms of sale for semiconductor products (<http://www.ti.com/sc/docs/stdterms.htm>) apply to the sale of packaged integrated circuit products that TI has qualified and released to market. Additional terms may apply to the use or sale of other types of TI products and services.

Reproduction of significant portions of TI information in TI data sheets is permissible only if reproduction is without alteration and is accompanied by all associated warranties, conditions, limitations, and notices. TI is not responsible or liable for such reproduced documentation. Information of third parties may be subject to additional restrictions. Resale of TI products or services with statements different from or beyond the parameters stated by TI for that product or service voids all express and any implied warranties for the associated TI product or service and is an unfair and deceptive business practice. TI is not responsible or liable for any such statements.

Buyers and others who are developing systems that incorporate TI products (collectively, "Designers") understand and agree that Designers remain responsible for using their independent analysis, evaluation and judgment in designing their applications and that Designers have full and exclusive responsibility to assure the safety of Designers' applications and compliance of their applications (and of all TI products used in or for Designers' applications) with all applicable regulations, laws and other applicable requirements. Designer represents that, with respect to their applications, Designer has all the necessary expertise to create and implement safeguards that (1) anticipate dangerous consequences of failures, (2) monitor failures and their consequences, and (3) lessen the likelihood of failures that might cause harm and take appropriate actions. Designer agrees that prior to using or distributing any applications that include TI products, Designer will thoroughly test such applications and the functionality of such TI products as used in such applications.

TI's provision of technical, application or other design advice, quality characterization, reliability data or other services or information, including, but not limited to, reference designs and materials relating to evaluation modules, (collectively, "TI Resources") are intended to assist designers who are developing applications that incorporate TI products; by downloading, accessing or using TI Resources in any way, Designer (individually or, if Designer is acting on behalf of a company, Designer's company) agrees to use any particular TI Resource solely for this purpose and subject to the terms of this Notice.

TI's provision of TI Resources does not expand or otherwise alter TI's applicable published warranties or warranty disclaimers for TI products, and no additional obligations or liabilities arise from TI providing such TI Resources. TI reserves the right to make corrections, enhancements, improvements and other changes to its TI Resources. TI has not conducted any testing other than that specifically described in the published documentation for a particular TI Resource.

Designer is authorized to use, copy and modify any individual TI Resource only in connection with the development of applications that include the TI product(s) identified in such TI Resource. NO OTHER LICENSE, EXPRESS OR IMPLIED, BY ESTOPPEL OR OTHERWISE TO ANY OTHER TI INTELLECTUAL PROPERTY RIGHT, AND NO LICENSE TO ANY TECHNOLOGY OR INTELLECTUAL PROPERTY RIGHT OF TI OR ANY THIRD PARTY IS GRANTED HEREIN, including but not limited to any patent right, copyright, mask work right, or other intellectual property right relating to any combination, machine, or process in which TI products or services are used. Information regarding or referencing third-party products or services does not constitute a license to use such products or services, or a warranty or endorsement thereof. Use of TI Resources may require a license from a third party under the patents or other intellectual property of the third party, or a license from TI under the patents or other intellectual property of TI.

TI RESOURCES ARE PROVIDED "AS IS" AND WITH ALL FAULTS. TI DISCLAIMS ALL OTHER WARRANTIES OR REPRESENTATIONS, EXPRESS OR IMPLIED, REGARDING RESOURCES OR USE THEREOF, INCLUDING BUT NOT LIMITED TO ACCURACY OR COMPLETENESS, TITLE, ANY EPIDEMIC FAILURE WARRANTY AND ANY IMPLIED WARRANTIES OF MERCHANTABILITY, FITNESS FOR A PARTICULAR PURPOSE, AND NON-INFRINGEMENT OF ANY THIRD PARTY INTELLECTUAL PROPERTY RIGHTS. TI SHALL NOT BE LIABLE FOR AND SHALL NOT DEFEND OR INDEMNIFY DESIGNER AGAINST ANY CLAIM, INCLUDING BUT NOT LIMITED TO ANY INFRINGEMENT CLAIM THAT RELATES TO OR IS BASED ON ANY COMBINATION OF PRODUCTS EVEN IF DESCRIBED IN TI RESOURCES OR OTHERWISE. IN NO EVENT SHALL TI BE LIABLE FOR ANY ACTUAL, DIRECT, SPECIAL, COLLATERAL, INDIRECT, PUNITIVE, INCIDENTAL, CONSEQUENTIAL OR EXEMPLARY DAMAGES IN CONNECTION WITH OR ARISING OUT OF TI RESOURCES OR USE THEREOF, AND REGARDLESS OF WHETHER TI HAS BEEN ADVISED OF THE POSSIBILITY OF SUCH DAMAGES.

Unless TI has explicitly designated an individual product as meeting the requirements of a particular industry standard (e.g., ISO/TS 16949 and ISO 26262), TI is not responsible for any failure to meet such industry standard requirements.

Where TI specifically promotes products as facilitating functional safety or as compliant with industry functional safety standards, such products are intended to help enable customers to design and create their own applications that meet applicable functional safety standards and requirements. Using products in an application does not by itself establish any safety features in the application. Designers must ensure compliance with safety-related requirements and standards applicable to their applications. Designer may not use any TI products in life-critical medical equipment unless authorized officers of the parties have executed a special contract specifically governing such use. Life-critical medical equipment is medical equipment where failure of such equipment would cause serious bodily injury or death (e.g., life support, pacemakers, defibrillators, heart pumps, neurostimulators, and implantables). Such equipment includes, without limitation, all medical devices identified by the U.S. Food and Drug Administration as Class III devices and equivalent classifications outside the U.S.

TI may expressly designate certain products as completing a particular qualification (e.g., Q100, Military Grade, or Enhanced Product). Designers agree that it has the necessary expertise to select the product with the appropriate qualification designation for their applications and that proper product selection is at Designers' own risk. Designers are solely responsible for compliance with all legal and regulatory requirements in connection with such selection.

Designer will fully indemnify TI and its representatives against any damages, costs, losses, and/or liabilities arising out of Designer's non-compliance with the terms and provisions of this Notice.