

## MSP430F2272 Device Erratasheet

---



---



---

### 1 Functional Errata Revision History

Errata impacting device's operation, function or parametrics.

✓ The check mark indicates that the issue is present in the specified revision.

Errata Number	Rev J	Rev I	Rev H	Rev G	Rev F	Rev E	Rev D
BCL12	✓	✓	✓	✓	✓	✓	✓
BCL13					✓	✓	✓
BCL16	✓	✓	✓	✓	✓	✓	✓
CPU14						✓	✓
CPU45	✓	✓	✓	✓	✓	✓	✓
FLASH21							✓
FLASH22						✓	✓
FLASH24	✓	✓	✓	✓	✓	✓	✓
FLASH26							✓
FLASH27	✓	✓	✓	✓	✓	✓	✓
FLASH36	✓	✓	✓	✓	✓	✓	✓
JTAG13							✓
PORT10	✓	✓	✓	✓	✓	✓	✓
SYS15	✓	✓	✓	✓	✓	✓	✓
TA12	✓	✓	✓	✓	✓	✓	✓
TA16	✓	✓	✓	✓	✓	✓	✓
TA21	✓	✓	✓	✓	✓	✓	✓
TAB22	✓	✓	✓	✓	✓	✓	✓
TB2	✓	✓	✓	✓	✓	✓	✓
TB16	✓	✓	✓	✓	✓	✓	✓
TB24	✓	✓	✓	✓	✓	✓	✓
USCI16						✓	✓
USCI20	✓	✓	✓	✓	✓	✓	✓
USCI21	✓	✓	✓	✓	✓	✓	✓
USCI22	✓	✓	✓	✓	✓	✓	✓
USCI23	✓	✓	✓	✓	✓	✓	✓
USCI24	✓	✓	✓	✓	✓	✓	✓
USCI25	✓	✓	✓	✓	✓	✓	✓
USCI26	✓	✓	✓	✓	✓	✓	✓
USCI27	✓	✓	✓	✓	✓	✓	✓
USCI30	✓	✓	✓	✓	✓	✓	✓
USCI34	✓	✓	✓	✓	✓	✓	✓
USCI35	✓	✓	✓	✓	✓	✓	✓
USCI40	✓	✓	✓	✓	✓	✓	✓
XOSC5	✓	✓	✓	✓	✓	✓	✓

Errata Number	Rev J	Rev I	Rev H	Rev G	Rev F	Rev E	Rev D
<a href="#">XOSC8</a>				✓	✓	✓	✓

## 2 Preprogrammed Software Errata Revision History

Errata impacting pre-programmed software into the silicon by Texas Instruments.

✓ The check mark indicates that the issue is present in the specified revision.

The device doesn't have Software in ROM errata.

## 3 Debug only Errata Revision History

Errata only impacting debug operation.

✓ The check mark indicates that the issue is present in the specified revision.

Errata Number	Rev J	Rev I	Rev H	Rev G	Rev F	Rev E	Rev D
<a href="#">EEM20</a>	✓	✓	✓	✓	✓	✓	✓
<a href="#">JTAG14</a>						✓	✓

## 4 Fixed by Compiler Errata Revision History

Errata completely resolved by compiler workaround. Refer to specific erratum for IDE and compiler versions with workaround.

✓ The check mark indicates that the issue is present in the specified revision.

Errata Number	Rev J	Rev I	Rev H	Rev G	Rev F	Rev E	Rev D
<a href="#">CPU19</a>	✓	✓	✓	✓	✓	✓	✓

Refer to the following MSP430 compiler documentation for more details about the CPU bugs workarounds.

### TI MSP430 Compiler Tools (Code Composer Studio IDE)

- [MSP430 Optimizing C/C++ Compiler](#): Check the --silicon\_errata option
- [MSP430 Assembly Language Tools](#)

### MSP430 GNU Compiler (MSP430-GCC)

- [MSP430 GCC Options](#): Check -msilicon-errata= and -msilicon-errata-warn= options
- [MSP430 GCC User's Guide](#)

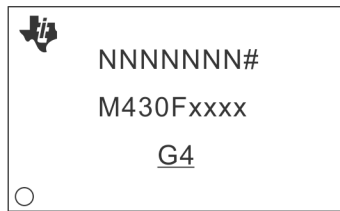
### IAR Embedded Workbench

- [IAR workarounds for msp430 hardware issues](#)

## 5 Package Markings

### DA38

#### TSSOP (DA), 38 Pin



# = Die revision  
 ○ = Pin 1 location  
 N = Lot trace code

### RHA40

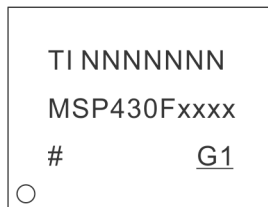
#### QFN (RHA), 40 Pin



# = Die revision  
 ○ = Pin 1 location  
 N = Lot trace code

### YFF49

#### DSBGA (YFF), 49 Pin



# = Die revision  
 ○ = Pin 1 location  
 N = Lot trace code

## 6 Detailed Bug Description

### BCL12 *BCS Module*

**Category** Functional

**Function** Switching RSELx or modifying DCOCTL can cause DCO dead time or a complete DCO stop

**Description** After switching RSELx bits (located in register BCCTL1) from a value of >13 to a value of <12 OR from a value of <12 to a value of >13, the resulting clock delivered by the DCO can stop before the new clock frequency is applied. This dead time is approximately 20 us. In some instances, the DCO may completely stop, requiring a power cycle.

Furthermore, if all of the RSELx bits in the BCCTL1 register are set, modifying the DCOCTL register to change the DCOx or the MODx bits could also result in DCO dead time or DCO hang up.

**Workaround** - When switching RSEL from >13 to <12, use an intermediate frequency step. The intermediate RSEL value should be 13.

Current RSEL	Target RSEL	Recommended Transition Sequence
15	14	Switch directly to target RSEL
14 or 15	13	Switch directly to target RSEL
14 or 15	0 to 12	Switch to 13 first, and then to target RSEL (two step sequence)
0 to 13	0 to 12	Switch directly to target RSEL

AND

- When switching RSEL from <12 to >13 it's recommended to set RSEL to its default value first (RSEL = 7) before switching to the desired target frequency.

AND

- In case RSEL is at 15 (highest setting) it's recommended to set RSEL to its default value first (RSEL = 7) before accessing DCOCTL to modify the DCOx and MODx bits. After the DCOCTL register modification the RSEL bits can be manipulated in an additional step.

In the majority of cases switching directly to intermediate RSEL steps as described above will prevent the occurrence of BCL12. However, a more reliable method can be implemented by changing the RSEL bits step by step in order to guarantee safe function without any dead time of the DCO.

Note that the 3-step clock startup sequence consisting of clearing DCOCTL, loading the BCCTL1 target value, and finally loading the DCOCTL target value as suggested in the in the "TLV Structure" chapter of the [MSP430x2xx Family User's Guide](#) is not affected by BCL12 if (and only if) it is executed after a device reset (PUC) prior to any other modifications being made to BCCTL1 since in this case RSEL still is at its default value of 7. However any further changes to the DCOx and MODx bits will require the consideration of the workaround outlined above.

### BCL13 *BCS Module*

**Category** Functional

**Function** DCO powerup halt

**Description** When subject to very slow Vcc rise times, the device may enter into a state where the

DCO does not oscillate. No JTAG access or program execution is possible and the device will remain in a reset state until the supply voltage is disconnected.

**Workaround** Apply a Vcc poweron ramp  $\geq 10V/\text{second}$  under all power-on/power-cycle scenarios.

---

## **BCL16** *BCS Module*

**Category** Functional

**Function** SMCLK clock source selection from XT1/VLO to DCO

**Description** When the MCLK and the SMCLK do not use the DCO, the DCO is off. The DCO does not start if the clock source for SMCLK is changed from XT1/VLO to DCO. As a result, the SMCLK remains high. Note: This is only true for SMCLK. The DCO starts if the clock source of MCLK is set to DCO.

**Workaround** Set clock source of MCLK to DCO by either:

- 1) setting the selection bits SELMx of BCCTL2 register to '00' or '01'.

OR

- 2) setting the OFIFG bit of IFG1 register. Note: This triggers the oscillator fault logic that automatically starts the DCO. Reset the OFIFG bit to further use the XT1/VLO.

For both options, if the XT1/VLO is still required to source MCLK, revert the clock source of MCLK back to XT1/VLO afterwards.

---

## **CPU14** *CPU Module*

**Category** Functional

**Function** Erroneous setting of SCG0 after reset

**Description** The SCG0 bit in the CPU status register (SR) is set after any reset (PUC or POR) if bit #6 in the reset vector destination address is set. Setting SCG0 turns off the DCO dc generator when DCOCLK is not used for MCLK or SMCLK.

**Workaround** 1) As the error only occurs after PUC or POR, it is sufficient to clear the SCG0 bit at the beginning of the program code; for example:

```
bic.w #SCG0, SR
```

OR

2) Avoid using reset destination addresses where bit #6 is set. Allowed reset vector destination addresses are: xx0xh, xx1xh, xx2xh, xx3xh, xx8xh, xx9xh, xxAxh, xxBxh.

---

## **CPU19** *CPU Module*

**Category** Compiler-Fixed

**Function** CPUOFF modification may result in unintentional register read

**Description** If an instruction that modifies the CPUOFF bit in the Status Register is followed by an instruction with an indirect addressed operand (e.g. MOV @R8, R9, RET, POP, POPM), an unintentional register read operation can occur during the wakeup of the CPU. If the unintentional read occurs to a read sensitive register (e.g. UCB0RXBUF, TAIV), which changes its value or the value of other registers (IFG's), the bug leads to lost interrupts or wrong register read values.

**Workaround**            Insert a NOP instruction after each CPUOFF instruction.

                                 OR

                                 Refer to the table below for compiler-specific fix implementation information.

                                 Note that compilers implementing the fix may lead to double stack usage when RET/RETA follows the compiler-inserted NOP.

IDE/Compiler	Version Number	Notes
IAR Embedded Workbench	IAR EW430 v6.20.1 until v6.40	User is required to add the compiler or assembler flag option below. --hw_workaround=nop_after_lpm
IAR Embedded Workbench	IAR EW430 v6.40 or later	Workaround is automatically enabled
TI MSP430 Compiler Tools (Code Composer Studio)	15.12.0.LTS	User is required to add the compiler or assembler flag option below. --silicon_errata=CPU19
MSP430 GNU Compiler (MSP430-GCC)	MSP430-GCC 4.9 build 389 or later	User is required to add the compiler or assembler flag option below. -msilicon-errata=cpu19 -msilicon-errata-warn=cpu19 generates a warning in addition
MSP430 GNU Compiler (MSP430-GCC)	MSP430-GCC 5.x build 14 or later	User is required to add the compiler or assembler flag option below. -msilicon-errata=cpu19 -msilicon-errata-warn=cpu19 generates a warning in addition

## CPU45

### *CPU Module*

**Category**

Functional

**Function**

CPU speed performance limitation

**Description**

The CPU register contents may become unpredictable during CPU register operations if the device operates at minimum Vcc required for system speed performance above 4.15MHz under certain conditions. This is dependent on voltage and CPU clock (MCLK) frequency and duty-cycle.

**Workaround**

With respect to the system speed performance above 4.15MHz versus minimum required Vcc

1. Increase Vcc by 200mV for DCO calibrated frequencies when sourced to MCLK

OR

2. Use internally divided clock for MCLK (BCSCTL2.DIVMx > 00)

OR

3. Use external clock with 50% positive duty cycle when sourced to MCLK

OR

4. Reduce LFXT1 (used in HF mode) or external clock frequency by 20% when sourced to MCLK

OR

5. Reduce DCO speed by 20% when DCO is sourced to MCLK

<b>EEM20</b>	<b><i>EEM Module</i></b>
<b>Category</b>	Debug
<b>Function</b>	Debugger might clear interrupt flags
<b>Description</b>	During debugging read-sensitive interrupt flags might be cleared as soon as the debugger stops. This is valid in both single-stepping and free run modes.
<b>Workaround</b>	None.
<b>FLASH21</b>	<b><i>FLASH Module</i></b>
<b>Category</b>	Functional
<b>Function</b>	Info memory read data corrupted
<b>Description</b>	Flash addresses between 0x1080 and 0x10ff (information memory) might not be read correctly. Supply voltages and addressing mode affect the read value.
<b>Workaround</b>	None
<b>FLASH22</b>	<b><i>FLASH Module</i></b>
<b>Category</b>	Functional
<b>Function</b>	Flash controller may prevent correct LPM entry
<b>Description</b>	When ACLK (or SMCLK) is used as the flash controller clock source, and this clock source gets deactivated due to a low-power mode entry while a flash erase or write operation is pending, the flash controller will keep ACLK (or SMCLK) active even after the flash operation has been completed. This will result in an incorrect LPM entry and increased current consumption. Note that this issue can only occur when the Flash operation and the low-power mode entry are initiated from code located in RAM.
<b>Workaround</b>	Do not enter low-power modes while flash erase or write operations are active. Wait for the operation to be completed before entering a low-power mode.
<b>FLASH24</b>	<b><i>FLASH Module</i></b>
<b>Category</b>	Functional
<b>Function</b>	Write or erase emergency exit can cause failures
<b>Description</b>	When a flash write or erase is abruptly terminated, the following flash accesses by the CPU may be unreliable resulting in erroneous code execution. The abrupt termination can be the result of one the following events: <ul style="list-style-type: none"> <li>1) The flash controller clock is configured to be sourced by an external crystal. An oscillator fault occurs thus stopping this clock abruptly.</li> <li>or</li> <li>2) The Emergency Exit bit (EMEX in FCTL3) when set forces a write or an erase operation to be terminated before normal completion.</li> <li>or</li> </ul>

3) The Enable Emergency Interrupt Exit bit (EEIEX in FCTL1) when set with GIE=1 can lead to an interrupt causing an emergency exit during a Flash operation.

**Workaround**

- 1) Use the internal DCO as the flash controller clock provided from MCLK or SMCLK.  
or
- 2) After setting EMEX = 1, wait for a sufficient amount of time before Flash is accessed again.  
or
- 3) No Workaround. Do not use EEIEX bit.

**FLASH26**
***FLASH Module***


---

**Category**

Functional

**Function**

Main memory read data corrupted

**Description**

Flash addresses between 0xC000 and 0xffff might not be read correctly. Supply voltages and addressing mode affect the read value.

**Workaround**

None

**FLASH27**
***FLASH Module***


---

**Category**

Functional

**Function**

EEL feature can disrupt segment erase

**Description**

When a flash segment erase operation is active with EEL feature selected (EEL=1 in FLCTL1) and GIE=0, the following can occur:

An interrupt event causes the flash erase to be stopped, and the flash controller expects an RETI to resume the erase. Because GIE=0, interrupts are not serviced and RETI will never happen.

**Workaround**

- 1) Do not set bit EEL=1 when GIE = 0.  
or,
- 2) Force an RETI instruction during the erase operation during the check for BUSY=1 (FCTL3).  
Sample code:  
MOV R5, 0(R5) ; Dummy write, erase segment  
LOOP: BIT #BUSY, &FCTL3 ; test busy bit  
JMP SUB\_RETI ; Force RETI instruction  
JNZ LOOP ; loop while BUSY=1  
SUB\_RETI: PUSH SR  
RETI

**FLASH36**
***FLASH Module***


---

**Category**

Functional



<b>Function</b>	Flash content may degrade due to aborted page erases
<b>Description</b>	If a page erase is aborted by EEIEX, the flash page containing the last instruction before erase operation will start to degrade. This effect is incremental and, after repetitions, may lead to corrupted flash content.
<b>Workaround</b>	<ul style="list-style-type: none"> <li>- Use the EEI (interrupted erasing) feature instead of EEIEX (abort erasing).</li> <li>or</li> <li>- A PSA checksum can be calculated over affected flash page using the marginal read mode (marginal 0). If PSA sum differs from expected PSA value the affected flash page has to be reprogrammed.</li> <li>or</li> <li>- Start flash erasing from RAM and limit system frequency to &lt;1MHz (to ensure 6-us delay after EEIEX). If the last instruction before erasing is located in RAM, flash cell degradation does not occur.</li> </ul>

---

**JTAG13** *JTAG Module*


---

<b>Category</b>	Functional
<b>Function</b>	PSA Checksum generation fails
<b>Description</b>	PSA checksum generation gives a wrong result when data_psa is executed during test clock low phase and last address of flash information memory addresses 0x107E or 0x10FE are part of the calculation.
<b>Workaround</b>	Calculate PSA sum when test clock is at high level

---

**JTAG14** *JTAG Module*


---

<b>Category</b>	Debug
<b>Function</b>	Releasing JTAG control can corrupt CPU registers during debug
<b>Description</b>	<p>During a debug session, on rare occasions, the CPU register contents can get corrupted when JTAG control is released by the debugger. This behavior is exhibited during, but not limited to, the use of the "Use Virtual Breakpoints" and "Force Single Stepping" features in the IAR Embedded Workbench software. This bug does not affect normal device and application operation, such as starting a device out of POR and executing application code.</p> <p>In order for the bug to occur, both of the following two conditions must be true:</p> <ol style="list-style-type: none"> <li>1.- The CPU (MCLK) is sourced by the DCO.</li> <li>2.- The "External Resistor (Rosc)" feature of the DCO is not used.</li> </ol>
<b>Workaround</b>	Use an external crystal or a digital high-speed clock source connected to the LFXT1 oscillator to source the CPU (MCLK) during a debug session. Alternatively, use the on-chip DCO in the "External Resistor (Rosc)" configuration. Note that, in this case, an external resistor connected to the device Rosc pin is mandatory, and that the factory-programmed DCO calibration constants cannot be applied directly.

---

**PORT10** *PORT Module*

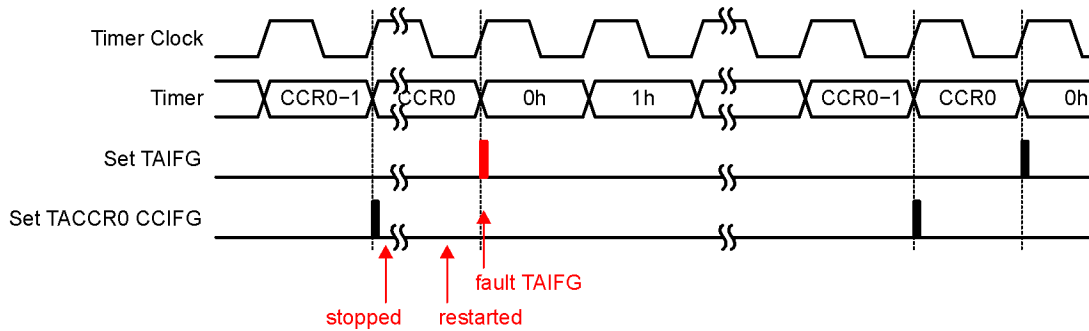

---

<b>Category</b>	Functional
<b>Function</b>	Pull-up/down resistor selection when module pin function is selected
<b>Description</b>	When the pull-up/down resistor for a certain port pin is enabled (PxREN.y=1) and the module port pin function is selected (PxSEL.y=1), the pull-up/down resistor configuration of this pin is controlled by the respective module output signal (Module X OUT) instead of the port output register (PxOUT.y).
<b>Workaround</b>	None. Do not set PxSEL.y and PxREN.y at the same time.
<hr/>	
<b>SYS15</b>	<b><i>SYS Module</i></b>
<b>Category</b>	Functional
<b>Function</b>	LPM3 and LPM4 currents exceed specified limits
<b>Description</b>	LPM3 and LPM4 currents may exceed specified limits if the SMCLK source is switched from DCO to VLO or LFXT1 just before the instruction to enter LPM3 or LPM4 mode.
<b>Workaround</b>	After clock switching, a delay of at least four new clock cycles (VLO or LFXT1) must be implemented to complete the clock synchronization before going into LPM3 or LPM4.
<hr/>	
<b>TA12</b>	<b><i>TIMER_A Module</i></b>
<b>Category</b>	Functional
<b>Function</b>	Interrupt is lost (slow ACLK)
<b>Description</b>	Timer_A counter is running with slow clock (external TACLK or ACLK) compared to MCLK. The compare mode is selected for the capture/compare channel and the CCRx register is incremented by one with the occurring compare interrupt (if TAR = CCRx). Due to the fast MCLK the CCRx register increment (CCRx = CCRx+1) happens before the Timer_A counter has incremented again. Therefore the next compare interrupt should happen at once with the next Timer_A counter increment (if TAR = CCRx + 1). This interrupt gets lost.
<b>Workaround</b>	Switch capture/compare mode to capture mode before the CCRx register increment. Switch back to compare mode afterwards.
<hr/>	
<b>TA16</b>	<b><i>TIMER_A Module</i></b>
<b>Category</b>	Functional
<b>Function</b>	First increment of TAR erroneous when IDx > 00
<b>Description</b>	The first increment of TAR after any timer clear event (POR/TACLK) happens immediately following the first positive edge of the selected clock source (INCLK, SMCLK, ACLK or TACLK). This is independent of the clock input divider settings (ID0, ID1). All following TAR increments are performed correctly with the selected IDx settings.
<b>Workaround</b>	None
<hr/>	
<b>TA21</b>	<b><i>TIMER_A Module</i></b>

**Category** Functional

**Function** TAIFG Flag is erroneously set after Timer A restarts in Up Mode

**Description** In Up Mode, the TAIFG flag should only be set when the timer counts from TACCR0 to zero. However, if the Timer A is stopped at TAR = TACCR0, then cleared (TAR=0) by setting the TACLK bit, and finally restarted in Up Mode, the next rising edge of the TACLK will erroneously set the TAIFG flag.



**Workaround** None.

**TAB22** ***TIMER\_A/TIMER\_B Module***

**Category** Functional

**Function** Timer\_A/Timer\_B register modification after Watchdog Timer PUC

**Description** Unwanted modification of the Timer\_A/Timer\_B registers TACTL/TBCTL and TAIV/TBIV can occur when a PUC is generated by the Watchdog Timer(WDT) in Watchdog mode and any Timer\_A/Timer\_B counter register TACCRx/TBCCRx is incremented/decremented (Timer\_A/Timer\_B does not need to be running).

**Workaround** Initialize TACTL/TBCTL register after the reset occurs using a MOV instruction (BIS/BIC may not fully initialize the register). TAIV/TBIV is automatically cleared following this initialization.

Example code:

```
MOV.W #VAL, &TACTL
```

or

```
MOV.W #VAL, &TBCTL
```

Where, VAL=0, if Timer is not used in application otherwise, user defined per desired function.

**TB2** ***TIMER\_B Module***

**Category** Functional

**Function** Interrupt is lost (slow ACLK)

**Description** Timer\_B counter is running with slow clock (external TBCLK or ACLK) compared to MCLK. The compare mode is selected for the capture/compare channel and the CCRx register is incremented by 1 with the occurring compare interrupt (if TBR = CCRx).

Due to the fast MCLK, the CCRx register increment ( $CCR_x = CCR_x + 1$ ) happens before the Timer\_B counter has incremented again. Therefore, the next compare interrupt should happen at once with the next Timer\_B counter increment (if  $TBR = CCR_x + 1$ ). This interrupt is lost.

**Workaround** Switch capture/compare mode to capture mode before the CCRx register increment. Switch back to compare mode afterward.

**TB16** *TIMER\_B Module*

**Category** Functional

**Function** First increment of TBR erroneous when  $ID_x > 00$

**Description** The first increment of TBR after any timer clear event (POR/TBCLR) happens immediately following the first positive edge of the selected clock source (INCLK, SMCLK, ACLK, or TBCLK). This is independent of the clock input divider settings ( $ID_0$ ,  $ID_1$ ). All following TBR increments are performed correctly with the selected  $ID_x$  settings.

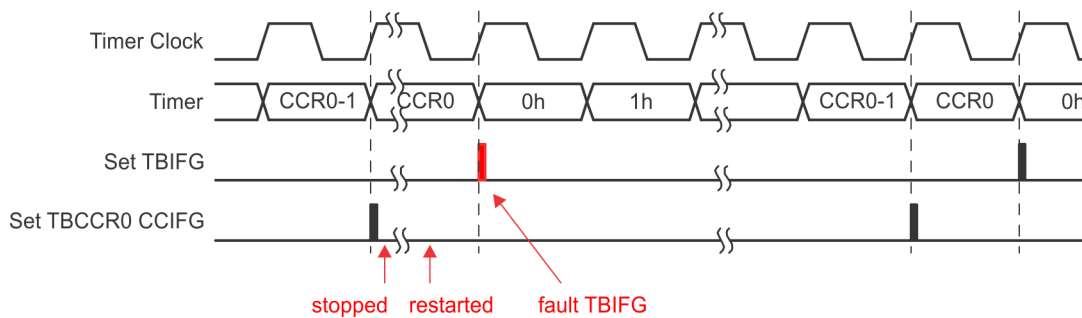
**Workaround** None

**TB24** *TIMER\_B Module*

**Category** Functional

**Function** TBIFG Flag is erroneously set after Timer B restarts in Up Mode

**Description** In Up Mode, the TBIFG flag should only be set when the timer resets from TBCCR0 to zero. However, if the Timer B is stopped at  $TBR = TBCCR_0$ , then cleared ( $TBR=0$ ) by setting the TBCLR bit, and finally restarted in Up Mode, the next rising edge of the TBCLK will erroneously set the TBIFG flag.



**Workaround** None.

**USCI16** *USCI Module*

**Category** Functional

**Function** UART/IrDA Mode Lost Characters

**Description** When configured for UART/IrDA mode, the USCI baud rate generator may halt operation under the following conditions:

- 1 - IrDA mode: repeated invalid start bits on the receive line
- or

2 - UART/IrDA modes: positive pulse on the receive line during break character reception inside the stop bit time slot (the second stop bit time slot in case of UCSPB=1) with a pulse width that passes the deglitch filter but is shorter than half a bit time.

After halting, additional characters will be ignored. Transmit functionality is not affected.

**Workaround**

Check the UCBUSY flag status periodically in software. If the flag is set and no character has been received in the expected time, reset the USCI module in software. To reset the USCI module, toggle UCSWRST and re-enable the USCI interrupts.

**USCI20**
***USCI Module***


---

**Category**

Functional

**Function**

I2C Mode Multi-master transmitter issue

**Description**

When configured for I2C master-transmitter mode, and used in a multi-master environment, the USCI module can cause unpredictable bus behavior if all of the following four conditions are true:

1 - Two masters are generating SCL

And

2 - The slave is stretching the SCL low phase of an ACK period while outputting NACK on SDA

And

3 - The slave drives ACK on SDA after the USCI has already released SCL, and then the SCL bus line gets released

And

4 - The transmit buffer has not been loaded before the other master continues communication by driving SCL low

The USCI will remain in the SCL high phase until the transmit buffer is written. After the transmit buffer has been written, the USCI will interfere with the current bus activity and may cause unpredictable bus behavior.

**Workaround**

1 - Ensure that slave doesn't stretch the SCL low phase of an ACK period

Or

2 - Ensure that the transmit buffer is loaded in time

Or

3 - Do not use the multi-master transmitter mode

**USCI21**
***USCI Module***


---

**Category**

Functional

**Function**

UART IrDA receive filter

**Description**

The IrDA receive filter can be used to filter pulses with length UCAIRRXFL configured in UCAXIRRCTL register. If UCIRRXFE is set the IrDA receive decoder may filter out pulses longer than the configured filter length depending on frequency of BRCLK. This is resulting in framing errors or corrupted data on the receiver side.

**Workaround**

Depending on the used baud rate and the configured filter length a maximum frequency for BRCLK needs to be set to avoid this issue:

For baud rates equal and higher than 115.000 the maximum allowed BRCLK frequency is equal to the max specified system frequency.

$$\text{Max BRCLK} = \frac{\text{Filter Length} + 64}{2} \times \frac{\text{Baud Rate} \times 16}{3 \times 10^6}$$

Baud Rate	Filter Length UCIRRXFL (dec)	Max BRCLK (MHz)
9600	64	3.28
	32	2.46
	16	2.05
	8	1.84
	4	1.74
	2	1.69
	1	1.66
	0	1.64
19200	64	6.55
	32	4.92
	16	4.1
	8	3.69
	4	3.48
	2	3.38
	1	3.33
	0	3.28
38400	64	13.11
	32	9.83
	16	8.19
	8	7.37
	4	6.96
	2	6.76
	1	6.66
	0	6.55
56000	64	19.11
	32	14.34
	16	11.95
	8	10.75
	4	10.15
	2	9.86
	1	9.71
	0	9.56

**USCI22**
**USCI Module**
**Category**
**Functional**

<b>Function</b>	I2C Master Receiver with 10-bit slave addressing
<b>Description</b>	<p>Unexpected behavior of the USCI_B can occur when configured in I2C master receive mode with 10-bit slave addressing under the following conditions:</p> <ol style="list-style-type: none"> <li>1) The USCI sends first byte of slave address, the slave sends an ACK and when second address byte is sent, the slave sends a NACK.</li> <li>2) Master sends a repeat start condition (If UCTXSTT=1).</li> <li>3) The first address byte following the repeated start is acknowledged.</li> </ol> <p>However, the second address byte is not sent, instead the Master incorrectly starts to receive data and sets UCBxRXIFG=1.</p>
<b>Workaround</b>	Do not use repeated start condition instead set the stop condition UCTXSTP=1 in the NACK ISR prior to the following start condition (USTXSTT=1).

## USCI23 *USCI Module*

---

<b>Category</b>	Functional
<b>Function</b>	UART transmit mode with automatic baud rate detection
<b>Description</b>	Erroneous behavior of the USCI_A can occur when configured in UART transmit mode with automatic baud rate detection. During transmission if a "Transmit break" is initiated (UCTXBRK=1), the USCI_A will not deliver a stop bit of logic high, instead, it will send a logic low during the subsequent synch period.
<b>Workaround</b>	<ol style="list-style-type: none"> <li>1) Follow User's Guide instructions for transmitting a break/synch field following UCSWRST=1.</li> </ol> <p>Or,</p> <ol style="list-style-type: none"> <li>2) Set UCTXBRK=1 before an active transmission, i.e. check for bit UCBUSY=0 and then set UCTXBRK=1.</li> </ol>

## USCI24 *USCI Module*

---

<b>Category</b>	Functional
<b>Function</b>	Incorrect baud rate information during UART automatic baud rate detection mode
<b>Description</b>	Erroneous behavior of the USCI_A can occur when configured in UART mode with automatic baud rate detection. After automatic baud rate measurement is complete, the UART updates UCxBR0 and UCxBR1. Under Oversampling mode (UCOS16=1), for baud rates that should result in UCxBRx=0x0002, the UART incorrectly reports it as UCxBRx=0x5555.
<b>Workaround</b>	When break/synch is detected following the automatic baud rate detection, the flag UCBRK flag is set to 1. Check if UCxBRx=0x5555 and correct it to 0x0002.

## USCI25 *USCI Module*

---

<b>Category</b>	Functional
<b>Function</b>	TXIFG is not reset when NACK is received in I2C mode
<b>Description</b>	When the USCI_B module is configured as an I2C master transmitter the TXIFG is not reset after a NACK is received if the master is configured to send a restart (UCTXSTT=1)

& UCTXSTP=0).

**Workaround**                      Reset TXIFG in software within the NACKIFG interrupt service routine

**USCI26**                              ***USCI Module***

---

**Category**                              Functional

**Function**                              Tbuf parameter violation in I2C multi-master mode

**Description**                              In multi-master I2C systems the timing parameter Tbuf (bus free time between a stop condition and the following start) is not guaranteed to match the I2C specification of 4.7us in standard mode and 1.3us in fast mode. If the UCTXSTT bit is set during a running I2C transaction, the USCI module waits and issues the start condition on bus release causing the violation to occur.

Note: It is recommended to check if UCBBUSY bit is cleared before setting UCTXSTT=1.

**Workaround**                              None

**USCI27**                              ***USCI Module***

---

**Category**                              Functional

**Function**                              Timing of USCI I2C interrupts may cause device reset due to automatic clear of an IFG.

**Description**                              When certain USCI I2C interrupt flags (IFG) are set and an automatic flag-clearing event on the I2C bus occurs, the program counter may become corrupted. This will only happen when the IFG is cleared within a critical time window (~6 CPU clock cycles) after a USCI interrupt request occurs and before the interrupt servicing is initiated. The affected interrupts are UCxBTXIFG, UCSTPIFG, UCSTTIFG and UCNACKIFG.

The automatic flag-clearing scenarios are described in the following situations:

- (1) A pending UCxBTXIFG interrupt request is cleared on the falling SCL clock edge following a NACK.
- (2) A pending UCSTPIFG, UCSTTIFG, or UCNACKIFG interrupt request is cleared by a following Start condition.

**Workaround**                              (1) Polling the affected flags instead of enabling the interrupts.  
or  
(2) Ensuring the above mentioned flag-clearing events occur after a time delay of 6 CPU clock cycles has elapsed since the interrupt request occurred and was accepted.

**USCI30**                              ***USCI Module***

---

**Category**                              Functional

**Function**                              I2C mode master receiver / slave receiver

**Description**                              When the USCI I2C module is configured as a receiver (master or slave), it performs a double-buffered receive operation. In a transaction of two bytes, once the first byte is moved from the receive shift register to the receive buffer the byte is acknowledged and the state machine allows the reception of the next byte.

If the receive buffer has not been cleared of its contents by reading the UCxBRXBUF



register while the 7th bit of the following data byte is being received, an error condition may occur on the I2C bus. Depending on the USCI configuration the following may occur:

- 1) If the USCI is configured as an I2C master receiver, an unintentional repeated start condition can be triggered or the master switches into an idle state (I2C communication aborted). The reception of the current data byte is not successful in this case.
- 2) If the USCI is configured as I2C slave receiver, the slave can switch to an idle state stalling I2C communication. The reception of the current data byte is not successful in this case. The USCI I2C state machine will notify the master of the aborted reception with a NACK.

Note that the error condition described above occurs only within a limited window of the 7th bit of the current byte being received. If the receive buffer is read outside of this window (before or after), then the error condition will not occur.

**Workaround**

a) The error condition can be avoided altogether by servicing the UCBxRXIFG in a timely manner. This can be done by (a) servicing the interrupt and ensuring UCBxRXBUF is read promptly or (b) Using the DMA to automatically read bytes from receive buffer upon UCBxRXIFG being set.

OR

b) In case the receive buffer cannot be read out in time, test the I2C clock line before the UCBxRXBUF is read out to ensure that the critical window has elapsed. This is done by checking if the clock line low status indicator bit UCSCLOW is set for atleast three USCI bit clock cycles i.e.  $3 \times t(\text{BitClock})$ .

Note that the last byte of the transaction must be read directly from UCBxRXBUF. For all other bytes follow the workaround:

Code flow for workaround

- (1) Enter RX ISR for reading receiving bytes
- (2) Check if UCSCLOW.UCBxSTAT == 1
- (3) If no, repeat step 2 until set
- (4) If yes, repeat step 2 for a time period  $> 3 \times t(\text{BitClock})$  where  $t(\text{BitClock}) = 1/f(\text{BitClock})$
- (5) If window of  $3 \times t(\text{BitClock})$  cycles has elapsed, it is safe to read UCBxRXBUF

**USCI34**
***USCI Module***


---

**Category**

Functional

**Function**

I2C multi-master transmit may lose first few bytes.

**Description**

In an I2C multi-master system (UCMM =1), under the following conditions:

- (1)the master is configured as a transmitter (UCTR =1)

AND

- (2)the start bit is set (UCTXSTT =1);

if the I2C bus is unavailable, then the USCI module enters an idle state where it waits and checks for bus release. While in the idle state it is possible that the USCI master updates its TXIFG based on clock line activity due to other master/slave communication on the bus. The data byte(s) loaded in TXBUF while in idle state are lost and transmit pointers initialized by the user in the transmit ISR are updated incorrectly.

**Workaround** Verify that the START condition has been sent (UCTXSTT =0) before loading TXBUF with data.

Example:

```
#pragma vector = USCIAB0TX_VECTOR
__interrupt void USCIAB0TX_ISR(void)
{
// Workaround for USCI34
if(UCB0CTL1&UCTXSTT)
{
// TXData = pointer to the transmit buffer start
// PTxData = pointer to transmit in the ISR
PTxData = TXData; // restore the transmit buffer pointer if the Start bit is set
}
//
if(IFG2&UCB0TXIFG)
{
if (PTxData<=PTxDataEnd) // Check TX byte counter
{
UCB0TXBUF = *PTxData++; // Load TX buffer
}
else
{
UCB0CTL1 |= UCTXSTP; // I2C stop condition
IFG2 &= ~UCB0TXIFG; // Clear USCI_B0 TX int flag
__bic_SR_register_on_exit(CPUOFF); // Exit LPM0
}
}
}
```

## **USCI35** ***USCI Module***

---

**Category** Functional

**Function** Violation of setup and hold times for (repeated) start in I2C master mode

**Description** In I2C master mode, the setup and hold times for a (repeated) START,  $t_{SU,STA}$  and  $t_{HD,STA}$  respectively, can be violated if SCL clock frequency is greater than 50kHz in standard mode (100kbps). As a result, a slave can receive incorrect data or the I2C bus can be stalled due to clock stretching by the slave.

**Workaround** If using repeated start, ensure SCL clock frequencies is < 50kHz in I2C standard mode (100 kbps).

## **USCI40** ***USCI Module***

---

**Category** Functional

**Function** SPI Slave Transmit with clock phase select = 1

**Description** In SPI slave mode with clock phase select set to 1 (UCAxCTLW0.UCCKPH=1), after the first TX byte, all following bytes are shifted by one bit with shift direction dependent on UCMSB. This is due to the internal shift register getting pre-loaded asynchronously when writing to the USCIA TXBUF register. TX data in the internal buffer is shifted by one bit after the RX data is received.

**Workaround** Reinitialize TXBUF before using SPI and after each transmission.

If transmit data needs to be repeated with the next transmission, then write back previously read value:

```
UCAxTXBUF = UCAxTXBUF;
```

---

**XOSC5** ***XOSC Module***

**Category** Functional

**Function** LF crystal failures may not be properly detected by the oscillator fault circuitry

**Description** The oscillator fault error detection of the LFXT1 oscillator in low frequency mode (XTS = 0) may not work reliably causing a failing crystal to go undetected by the CPU, i.e. OFIFG will not be set.

**Workaround** None

---

**XOSC8** ***XOSC Module***

**Category** Functional

**Function** ACLK failure when crystal ESR is below 40 kOhm.

**Description** When ACLK is sourced by a low frequency crystal with an ESR below 40 kOhm, the duty cycle of ACLK may fall below the specification; the OFIFG may become set or in some instances, ACLK may stop completely.

**Workaround** Please refer to "XOSC8 Guidance" found at [SLAA423](#) for information regarding working with this erratum.

## 7 Document Revision History

Changes from family erratasheet to device specific erratasheet.

1. Errata FLASH26 was added

Changes from device specific erratasheet to document Revision A.

1. Errata EEM20 was added to the errata documentation.

Changes from document Revision A to Revision B.

1. BCL12 Workaround was updated.

Changes from document Revision B to Revision C.

1. Errata TA21 was added to the errata documentation.

Changes from document Revision C to Revision D.

1. Errata TB24 was added to the errata documentation.

Changes from document Revision D to Revision E.

1. Errata USCI35 was added to the errata documentation.

Changes from document Revision E to Revision F.

1. Errata BCL16 was added to the errata documentation.

Changes from document Revision F to Revision G.

1. Package Markings section was updated.

Changes from document Revision G to Revision H.

1. Errata USCI40 was added to the errata documentation.

Changes from document Revision H to Revision I.

1. TA21 Description was updated.

Changes from document Revision I to Revision J.

1. Errata CPU45 was added to the errata documentation.

Changes from document Revision J to Revision K.

1. Workaround for CPU19 was updated.

Changes from document Revision K to Revision L.

1. Erratasheet format update.
2. Added errata category field to "Detailed bug description" section

Changes from document Revision L to Revision M.

1. USCI34 was added to the errata documentation.

Changes from document Revision M to Revision N.

1. Description for TB24 was updated.

## IMPORTANT NOTICE AND DISCLAIMER

TI PROVIDES TECHNICAL AND RELIABILITY DATA (INCLUDING DATASHEETS), DESIGN RESOURCES (INCLUDING REFERENCE DESIGNS), APPLICATION OR OTHER DESIGN ADVICE, WEB TOOLS, SAFETY INFORMATION, AND OTHER RESOURCES "AS IS" AND WITH ALL FAULTS, AND DISCLAIMS ALL WARRANTIES, EXPRESS AND IMPLIED, INCLUDING WITHOUT LIMITATION ANY IMPLIED WARRANTIES OF MERCHANTABILITY, FITNESS FOR A PARTICULAR PURPOSE OR NON-INFRINGEMENT OF THIRD PARTY INTELLECTUAL PROPERTY RIGHTS.

These resources are intended for skilled developers designing with TI products. You are solely responsible for (1) selecting the appropriate TI products for your application, (2) designing, validating and testing your application, and (3) ensuring your application meets applicable standards, and any other safety, security, or other requirements. These resources are subject to change without notice. TI grants you permission to use these resources only for development of an application that uses the TI products described in the resource. Other reproduction and display of these resources is prohibited. No license is granted to any other TI intellectual property right or to any third party intellectual property right. TI disclaims responsibility for, and you will fully indemnify TI and its representatives against, any claims, damages, costs, losses, and liabilities arising out of your use of these resources.

TI's products are provided subject to TI's Terms of Sale ([www.ti.com/legal/termsofsale.html](http://www.ti.com/legal/termsofsale.html)) or other applicable terms available either on [ti.com](http://ti.com) or provided in conjunction with such TI products. TI's provision of these resources does not expand or otherwise alter TI's applicable warranties or warranty disclaimers for TI products.

Mailing Address: Texas Instruments, Post Office Box 655303, Dallas, Texas 75265  
Copyright © 2019, Texas Instruments Incorporated