

PCI Express® PHY

XIO1100



The XIO1100 is a PCI Express PHY, compliant with the PCI Express Base Specification Revision 1.1, that interfaces the PCI Express Media Access Layer (MAC) to a PCI Express serial link. It uses a modified version of the "PHY Interface for the PCI Express" (PIPE) interface also referred to as a TI-PIPE interface. The TI-PIPE interface is a pin-configurable interface that can be configured as either a 16-bit or 8-bit interface.

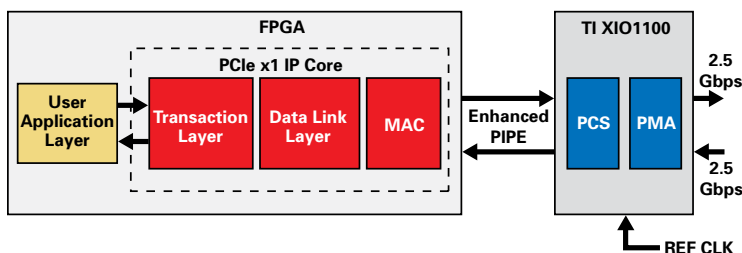
- The 16-bit TI-PIPE interface is a 125 MHz 16-bit parallel interface, a 16-bit output bus (RXDATA) being clocked by the RXCLK output clock, and a 16-bit input bus (TXDATA) being clocked by the TXCLK input clock. Both buses are clocked using Single Data Rate (SDR) clocking in which the data transitions are on the rising-edge of the associated clock.
- The 8-bit TI-PIPE interface is a 250 MHz 8-bit parallel interface, an 8-bit output bus (RXDATA) being clocked by the RXCLK output clock, and an 8-bit input bus (TXDATA) being clocked by the TXCLK input clock. Both buses are clocked using Double Data Rate (DDR) clocking where the data transitions on both the clock's rising-edge and falling-edge.

The XIO1100 PHY interfaces to a 2.5 Gbps PCI Express serial link with a Transmit Differential Pair (TXP and TXN) and a Receive Differential Pair (RXP and RXN). Incoming data at the XIO1100 PHY Receive Differential Pair (RXP and RXN) is forwarded to the MAC on the RXDATA output bus. Data received from the MAC on the TXDATA input bus is forwarded to the XIO1100 PHY Transfer Differential Pair (TXP and TXN).

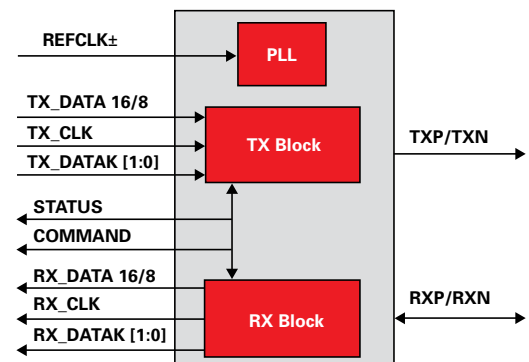
The XIO1100 is also responsible for handling the 8B/10B encoding/ decoding of the outgoing data. In addition, XIO1100 can recover/interpolate the clock on the receiver side based on the transitions guaranteed by the use of the 8B/10B mechanism and supply this to the receive side of the data link layer logic. In addition to the TI-PIPE Interface, the XIO1100 has some TI proprietary side-band signals for customers that wish to use to take advantage of additional low-power state features of the XIO1100 (for example, disabling the PLL during the L1 power state).

Key Benefits

- XIO1100 is TI's Third-Generation PHY
 - Passed PCI SIG Workshop #49
 - v1.0a and v1.1 compliant
 - Proven PCI Express Compatibility and Interoperability
- Source-Synchronous (SS) Clocking
 - Without SS clocking and running at 125 MHz, the interface must be tuned to the center capture window
 - Not robust
 - XIO1100 is SS in both RX and TX directions which makes positioning I/O capture window easy to identify and robust
 - SS approach works great from design without need for experimental tuning
- Flexible MAC Interface
 - Selectable 8-bit or 16-bit Parallel Interface
 - 16-bit: 125 MHz rising-edge clocked (SDR)
 - Can use low-cost FPGAs
 - 8-bit: 125 MHz rising-and-falling edge clocked (DDR)
 - No need for extra clock buffer needed to generate 250 MHz
- Flexible Digital I/O Power Supply
 - 1.5 V or 1.8 V
 - Only two supply voltages needed: 3.3 V and 1.5 V
- Support for two PCI Express Reference Clocks
 - 100 MHz differential for normal system clock designs
 - 125 MHz single-ended for asynchronous clocking designs



▲ Low-cost FPGA-based PCI Express® solution



▲ XIO1100 functional block diagram

TI Worldwide Technical Support

Internet

TI Semiconductor Product Information Center Home Page

support.ti.com

TI Semiconductor KnowledgeBase Home Page

support.ti.com/sc/knowledgebase

Product Information Centers

Americas

Phone +1(972) 644-5580
Fax +1(972) 927-6377
Internet/Email support.ti.com/sc/pic/americas.htm

Europe, Middle East, and Africa

Phone
European Free Call 00800-ASK-TEXAS
(00800 275 83927)
International +49 (0) 8161 80 2121
Russian Support +7 (4) 95 98 10 701

Note: The European Free Call (Toll Free) number is not active in all countries. If you have technical difficulty calling the free call number, please use the international number above.

Fax +(49) (0) 8161 80 2045
Internet support.ti.com/sc/pic/euro.htm

Japan

Fax International +81-3-3344-5317
Domestic 0120-81-0036
Internet/Email International support.ti.com/sc/pic/japan.htm
Domestic www.tij.co.jp/pic

The platform bar is a trademark of Texas Instruments. All other trademarks are the property of their respective owners.

Asia

Phone
International +91-80-41381665
Domestic Toll-Free Number
Australia 1-800-999-084
China 800-820-8682
Hong Kong 800-96-5941
India 1-800-425-7888
Indonesia 001-803-8861-1006
Korea 080-551-2804
Malaysia 1-800-80-3973
New Zealand 0800-446-934
Philippines 1-800-765-7404
Singapore 800-886-1028
Taiwan 0800-006800
Thailand 001-800-886-0010

Fax +886-2-2378-6808
Email tiasia@ti.com or ti-china@ti.com
Internet support.ti.com/sc/pic/asia.htm

Important Notice: The products and services of Texas Instruments Incorporated and its subsidiaries described herein are sold subject to TI's standard terms and conditions of sale. Customers are advised to obtain the most current and complete information about TI products and services before placing orders. TI assumes no liability for applications assistance, customer's applications or product designs, software performance, or infringement of patents. The publication of information regarding any other company's products or services does not constitute TI's approval, warranty or endorsement thereof.

B010208

IMPORTANT NOTICE

Texas Instruments Incorporated and its subsidiaries (TI) reserve the right to make corrections, modifications, enhancements, improvements, and other changes to its products and services at any time and to discontinue any product or service without notice. Customers should obtain the latest relevant information before placing orders and should verify that such information is current and complete. All products are sold subject to TI's terms and conditions of sale supplied at the time of order acknowledgment.

TI warrants performance of its hardware products to the specifications applicable at the time of sale in accordance with TI's standard warranty. Testing and other quality control techniques are used to the extent TI deems necessary to support this warranty. Except where mandated by government requirements, testing of all parameters of each product is not necessarily performed.

TI assumes no liability for applications assistance or customer product design. Customers are responsible for their products and applications using TI components. To minimize the risks associated with customer products and applications, customers should provide adequate design and operating safeguards.

TI does not warrant or represent that any license, either express or implied, is granted under any TI patent right, copyright, mask work right, or other TI intellectual property right relating to any combination, machine, or process in which TI products or services are used. Information published by TI regarding third-party products or services does not constitute a license from TI to use such products or services or a warranty or endorsement thereof. Use of such information may require a license from a third party under the patents or other intellectual property of the third party, or a license from TI under the patents or other intellectual property of TI.

Reproduction of TI information in TI data books or data sheets is permissible only if reproduction is without alteration and is accompanied by all associated warranties, conditions, limitations, and notices. Reproduction of this information with alteration is an unfair and deceptive business practice. TI is not responsible or liable for such altered documentation. Information of third parties may be subject to additional restrictions.

Resale of TI products or services with statements different from or beyond the parameters stated by TI for that product or service voids all express and any implied warranties for the associated TI product or service and is an unfair and deceptive business practice. TI is not responsible or liable for any such statements.

TI products are not authorized for use in safety-critical applications (such as life support) where a failure of the TI product would reasonably be expected to cause severe personal injury or death, unless officers of the parties have executed an agreement specifically governing such use. Buyers represent that they have all necessary expertise in the safety and regulatory ramifications of their applications, and acknowledge and agree that they are solely responsible for all legal, regulatory and safety-related requirements concerning their products and any use of TI products in such safety-critical applications, notwithstanding any applications-related information or support that may be provided by TI. Further, Buyers must fully indemnify TI and its representatives against any damages arising out of the use of TI products in such safety-critical applications.

TI products are neither designed nor intended for use in military/aerospace applications or environments unless the TI products are specifically designated by TI as military-grade or "enhanced plastic." Only products designated by TI as military-grade meet military specifications. Buyers acknowledge and agree that any such use of TI products which TI has not designated as military-grade is solely at the Buyer's risk, and that they are solely responsible for compliance with all legal and regulatory requirements in connection with such use.

TI products are neither designed nor intended for use in automotive applications or environments unless the specific TI products are designated by TI as compliant with ISO/TS 16949 requirements. Buyers acknowledge and agree that, if they use any non-designated products in automotive applications, TI will not be responsible for any failure to meet such requirements.

Following are URLs where you can obtain information on other Texas Instruments products and application solutions:

Products

Amplifiers	amplifier.ti.com
Data Converters	dataconverter.ti.com
DSP	dsp.ti.com
Clocks and Timers	www.ti.com/clocks
Interface	interface.ti.com
Logic	logic.ti.com
Power Mgmt	power.ti.com
Microcontrollers	microcontroller.ti.com
RFID	www.ti-rfid.com
RF/IF and ZigBee® Solutions	www.ti.com/lprf

Applications

Audio	www.ti.com/audio
Automotive	www.ti.com/automotive
Broadband	www.ti.com/broadband
Digital Control	www.ti.com/digitalcontrol
Medical	www.ti.com/medical
Military	www.ti.com/military
Optical Networking	www.ti.com/opticalnetwork
Security	www.ti.com/security
Telephony	www.ti.com/telephony
Video & Imaging	www.ti.com/video
Wireless	www.ti.com/wireless

Mailing Address: Texas Instruments, Post Office Box 655303, Dallas, Texas 75265
Copyright © 2008, Texas Instruments Incorporated