

bqTESLA™ Portfolio of Wireless Power Solutions

Easily Integrate Wireless Charging into Portable Electronics

bq500210 Wireless Power Transmitter

TEXAS INSTRUMENTS

bq51013 Wireless Power Receiver



TI's bqTESLA™ wireless power portfolio includes both receiver and transmitter ICs for contactless charging integration. Both devices are supported by evaluation modules, user guides and development kits.

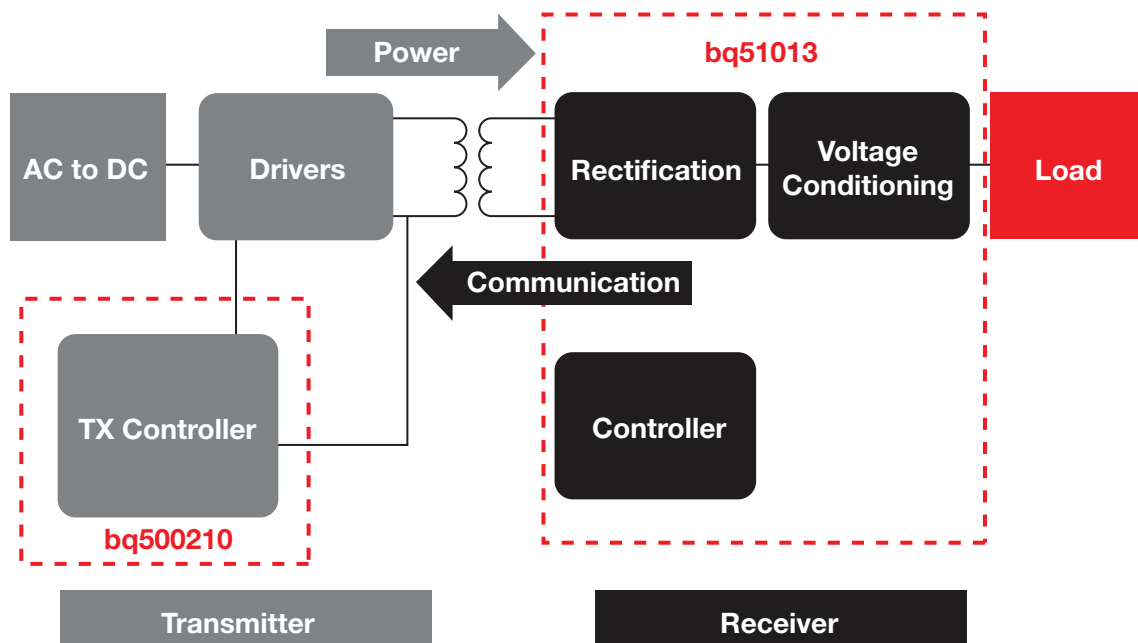
Example Applications

Phones
Remote controls
Digital cameras (still and video)
Medical equipment
Power tools and flashlights
MP3 players
Toothbrushes
Global positioning devices
Automotive accessories



TI Wireless Power Devices are Qi™ Compliant!

- Wireless Power Consortium (WPC) is the only industry standard for wireless power
- Qi compliant assures interoperability between various charging pads and portable devices



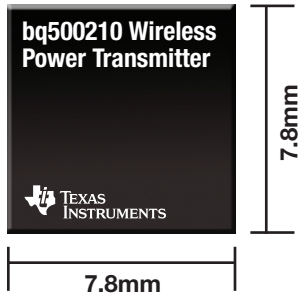
Learn more, find answers and stay up to date at:

www.ti.com/wirelesspower

www.ti.com/wp-forum

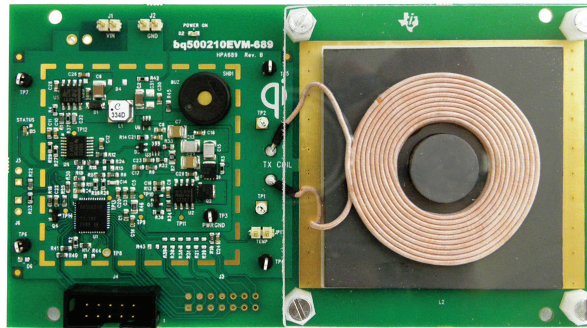
www.ti.com/wp-faq

bq500210
Wireless Power Transmitter Gen 2



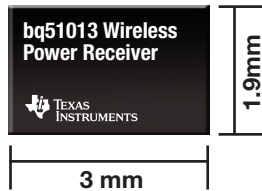
Key benefits and features

- Digital demodulation signal processing reduces total system components from previous general analog demodulation circuitry.
- Single-chip wireless power transfer controller compliant to WPC Qi-compliant specification 1.0.2, which allows for a simple, cost effective, interoperable design implementation.
- Real-time efficiency analyzer maximizes power transfer efficiency, reduces power consumption, and protects itself and the receiver from excessive power loss and heat.
- Parasitic metal object detection (PMOD) provides protection from power transfer to metal objects, overheating and power loss.
- Overload and over temperature protection ensures safe and reliable operation.
- Small 7-mm x 7-mm, 48-pin QFN package minimizes impact to end equipment designs.



▲ bq500210EVM-689

bq51013
Wireless Power Receiver



▲ bq51013EVM-725

Key benefits and features

- Highly-integrated and efficient wireless power receiver IC includes full-bridge synchronous rectification, voltage conditioning and wireless power control in one single device.
- 1.9-mm x 3-mm WCSP package allows for easy integration with minimal size impact. Device PCB area reduced by 80-percent from first generation receiver solution, bqTESLA100LP.
- Wireless Power Consortium (WPC) Qi-compliance enables powering or charging from TI's transmitter solution, and any Qi-compliant transmitter in the market.
- Built in protection against voltage, current and temperature fault conditions, assure a safe and reliable system operation.
- 93% peak efficiency reduces thermal rise inside the system while allowing charge rates comparable to AC adapter.

Wireless Power Development Kit

For a complete kit (transmitter + receiver), order the bq500210 and bq51013 EVMs.

TI Worldwide Technical Support

Internet

TI Semiconductor Product Information Center Home Page

support.ti.com

TI E2E™ Community Home Page

e2e.ti.com

Product Information Centers

| | | |
|-----------------|----------------|--|
| Americas | Phone | +1(972) 644-5580 |
| Brazil | Phone | 0800-891-2616 |
| Mexico | Phone | 0800-670-7544 |
| | Fax | +1(972) 927-6377 |
| | Internet/Email | support.ti.com/sc/pic/americas.htm |

Europe, Middle East, and Africa

| | |
|--------------------|--------------------------------------|
| Phone | |
| European Free Call | 00800-ASK-TEXAS (00800 275 83927) |
| International | +49 (0) 8161 80 2121 |
| Russian Support | +7 (4) 95 98 10 701 |

Note: The European Free Call (Toll Free) number is not active in all countries. If you have technical difficulty calling the free call number, please use the international number above.

| | |
|--------------|--|
| Fax | +(49) (0) 8161 80 2045 |
| Internet | support.ti.com/sc/pic/euro.htm |
| Direct Email | asktexas@ti.com |

Japan

| | | |
|----------------|---------------|--|
| Phone | Domestic | 0120-92-3326 |
| Fax | International | +81-3-3344-5317 |
| | Domestic | 0120-81-0036 |
| Internet/Email | International | support.ti.com/sc/pic/japan.htm |
| | Domestic | www.tij.co.jp/pic |

Asia

| | |
|---|--|
| Phone | |
| International | +91-80-41381665 |
| Domestic | <u>Toll-Free Number</u> |
| Note: Toll-free numbers do not support mobile and IP phones. | |
| Australia | 1-800-999-084 |
| China | 800-820-8682 |
| Hong Kong | 800-96-5941 |
| India | 1-800-425-7888 |
| Indonesia | 001-803-8861-1006 |
| Korea | 080-551-2804 |
| Malaysia | 1-800-80-3973 |
| New Zealand | 0800-446-934 |
| Philippines | 1-800-765-7404 |
| Singapore | 800-886-1028 |
| Taiwan | 0800-006800 |
| Thailand | 001-800-886-0010 |
| Fax | +8621-23073686 |
| Email | tiasia@ti.com or ti-china@ti.com |
| Internet | support.ti.com/sc/pic/asia.htm |

Important Notice: The products and services of Texas Instruments Incorporated and its subsidiaries described herein are sold subject to TI's standard terms and conditions of sale. Customers are advised to obtain the most current and complete information about TI products and services before placing orders. TI assumes no liability for applications assistance, customer's applications or product designs, software performance, or infringement of patents. The publication of information regarding any other company's products or services does not constitute TI's approval, warranty or endorsement thereof.

A122010

The platform bar and E2E are trademarks of Texas Instruments. All other trademarks are the property of their respective owners.

IMPORTANT NOTICE

Texas Instruments Incorporated and its subsidiaries (TI) reserve the right to make corrections, modifications, enhancements, improvements, and other changes to its products and services at any time and to discontinue any product or service without notice. Customers should obtain the latest relevant information before placing orders and should verify that such information is current and complete. All products are sold subject to TI's terms and conditions of sale supplied at the time of order acknowledgment.

TI warrants performance of its hardware products to the specifications applicable at the time of sale in accordance with TI's standard warranty. Testing and other quality control techniques are used to the extent TI deems necessary to support this warranty. Except where mandated by government requirements, testing of all parameters of each product is not necessarily performed.

TI assumes no liability for applications assistance or customer product design. Customers are responsible for their products and applications using TI components. To minimize the risks associated with customer products and applications, customers should provide adequate design and operating safeguards.

TI does not warrant or represent that any license, either express or implied, is granted under any TI patent right, copyright, mask work right, or other TI intellectual property right relating to any combination, machine, or process in which TI products or services are used. Information published by TI regarding third-party products or services does not constitute a license from TI to use such products or services or a warranty or endorsement thereof. Use of such information may require a license from a third party under the patents or other intellectual property of the third party, or a license from TI under the patents or other intellectual property of TI.

Reproduction of TI information in TI data books or data sheets is permissible only if reproduction is without alteration and is accompanied by all associated warranties, conditions, limitations, and notices. Reproduction of this information with alteration is an unfair and deceptive business practice. TI is not responsible or liable for such altered documentation. Information of third parties may be subject to additional restrictions.

Resale of TI products or services with statements different from or beyond the parameters stated by TI for that product or service voids all express and any implied warranties for the associated TI product or service and is an unfair and deceptive business practice. TI is not responsible or liable for any such statements.

TI products are not authorized for use in safety-critical applications (such as life support) where a failure of the TI product would reasonably be expected to cause severe personal injury or death, unless officers of the parties have executed an agreement specifically governing such use. Buyers represent that they have all necessary expertise in the safety and regulatory ramifications of their applications, and acknowledge and agree that they are solely responsible for all legal, regulatory and safety-related requirements concerning their products and any use of TI products in such safety-critical applications, notwithstanding any applications-related information or support that may be provided by TI. Further, Buyers must fully indemnify TI and its representatives against any damages arising out of the use of TI products in such safety-critical applications.

TI products are neither designed nor intended for use in military/aerospace applications or environments unless the TI products are specifically designated by TI as military-grade or "enhanced plastic." Only products designated by TI as military-grade meet military specifications. Buyers acknowledge and agree that any such use of TI products which TI has not designated as military-grade is solely at the Buyer's risk, and that they are solely responsible for compliance with all legal and regulatory requirements in connection with such use.

TI products are neither designed nor intended for use in automotive applications or environments unless the specific TI products are designated by TI as compliant with ISO/TS 16949 requirements. Buyers acknowledge and agree that, if they use any non-designated products in automotive applications, TI will not be responsible for any failure to meet such requirements.

Following are URLs where you can obtain information on other Texas Instruments products and application solutions:

Products

| | |
|------------------------|--|
| Audio | www.ti.com/audio |
| Amplifiers | amplifier.ti.com |
| Data Converters | dataconverter.ti.com |
| DLP® Products | www.dlp.com |
| DSP | dsp.ti.com |
| Clocks and Timers | www.ti.com/clocks |
| Interface | interface.ti.com |
| Logic | logic.ti.com |
| Power Mgmt | power.ti.com |
| Microcontrollers | microcontroller.ti.com |
| RFID | www.ti-rfid.com |
| OMAP Mobile Processors | www.ti.com/omap |
| Wireless Connectivity | www.ti.com/wirelessconnectivity |

Applications

| | |
|-------------------------------|--|
| Communications and Telecom | www.ti.com/communications |
| Computers and Peripherals | www.ti.com/computers |
| Consumer Electronics | www.ti.com/consumer-apps |
| Energy and Lighting | www.ti.com/energy |
| Industrial | www.ti.com/industrial |
| Medical | www.ti.com/medical |
| Security | www.ti.com/security |
| Space, Avionics and Defense | www.ti.com/space-avionics-defense |
| Transportation and Automotive | www.ti.com/automotive |
| Video and Imaging | www.ti.com/video |

TI E2E Community Home Page

e2e.ti.com

Mailing Address: Texas Instruments, Post Office Box 655303, Dallas, Texas 75265
Copyright © 2011, Texas Instruments Incorporated