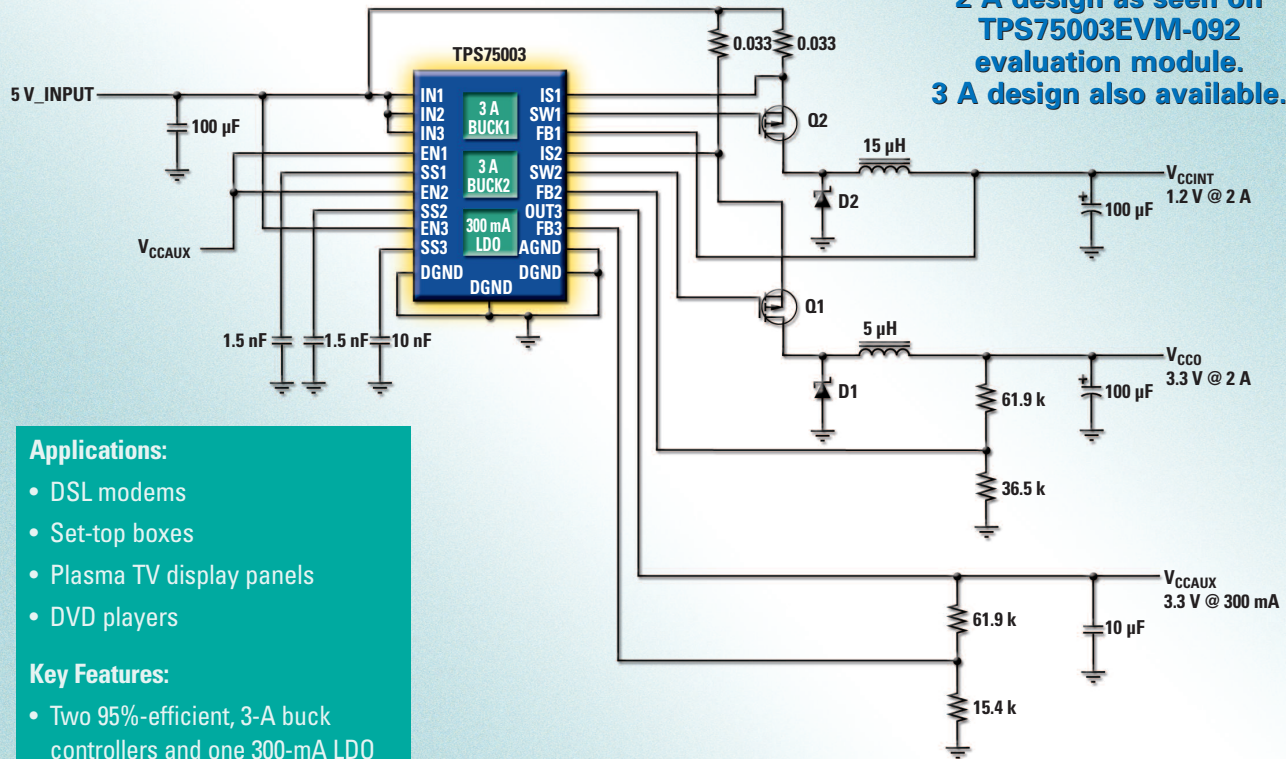


**TI Power Solutions: Power Behind Your Designs**

# Highly-integrated, Triple Supply from TI Powers Spartan™-3 Core, I/O and V<sub>CCAUX</sub> Rails

High-efficiency, optimized, 2 A design as seen on TPS75003EVM-092 evaluation module. 3 A design also available.



## Applications:

- DSL modems
- Set-top boxes
- Plasma TV display panels
- DVD players

## Key Features:

- Two 95%-efficient, 3-A buck controllers and one 300-mA LDO
- Adjustable output voltages
  - from 1.2 V for Bucks
  - from 1.0 V for LDO
- Input voltage range of 2.2 V to 6.5 V
- Independent soft-start for all three power supplies
- LDO stable with small ceramic output capacitor
- Independent enable for each supply for flexible sequencing
- 4.5 mm x 3.5 mm x 0.9 mm 20-pin, QFN package
- 1 ku price: \$1.90

The TPS75003 power management IC for Xilinx's Spartan™-II/IIE/3 series of FPGAs integrates multiple functions to significantly reduce the number of external components required and simplify design. Combining increased design flexibility with cost-effective voltage conversion, the device includes programmable soft-start for in-rush current control and

The TPS75003 is your one solution for Xilinx FPGA power management —tested, endorsed, and preferred by Xilinx.

independent enables for sequencing the 3 channels. The TPS75003 meets all Xilinx startup profile requirements including monotonic ramp and minimum ramp times.

For information on TI's complete line of power management solutions for Xilinx FPGAs, visit [www.ti.com/xilinuxfpga](http://www.ti.com/xilinuxfpga). You'll find a library of reference designs tested and endorsed by Xilinx, along with schematics and BOMs for all designs.

Questions? Need samples or an Evaluation Module? Contact us at: [fpgasupport@list.ti.com](mailto:fpgasupport@list.ti.com)



## ***TI Worldwide Technical Support***

---

### **Internet**

#### **TI Semiconductor Product Information Center Home Page**

support.ti.com

#### **TI Semiconductor KnowledgeBase Home Page**

support.ti.com/sc/knowledgebase

### **Product Information Centers**

#### **Americas**

Phone +1(972) 644-5580  
 Fax +1(972) 927-6377  
 Internet/Email support.ti.com/sc/pic/americas.htm

#### **Europe, Middle East, and Africa**

Phone  
 European Free Call 00800-ASK-TEXAS  
 (00800 275 83927)  
 International +49 (0) 8161 80 2121  
 Russian Support +7 (4) 95 98 10 701

**Note:** The European Free Call (Toll Free) number is not active in all countries. If you have technical difficulty calling the free call number, please use the international number above.

Fax +(49) (0) 8161 80 2045  
 Internet support.ti.com/sc/pic/euro.htm

#### **Japan**

Fax International +81-3-3344-5317  
 Domestic 0120-81-0036  
 Internet/Email International support.ti.com/sc/pic/japan.htm  
 Domestic www.tij.co.jp/pic

The platform bar and Spartan are trademarks of Texas Instruments. All other trademarks are the property of their respective owners.

#### **Asia**

Phone  
 International +91-80-41381665  
 Domestic Toll-Free Number  
 Australia 1-800-999-084  
 China 800-820-8682  
 Hong Kong 800-96-5941  
 India 1-800-425-7888  
 Indonesia 001-803-8861-1006  
 Korea 080-551-2804  
 Malaysia 1-800-80-3973  
 New Zealand 0800-446-934  
 Philippines 1-800-765-7404  
 Singapore 800-886-1028  
 Taiwan 0800-006800  
 Thailand 001-800-886-0010  
 Fax +886-2-2378-6808  
 Email tiasia@ti.com or ti-china@ti.com  
 Internet support.ti.com/sc/pic/asia.htm

**Important Notice:** The products and services of Texas Instruments Incorporated and its subsidiaries described herein are sold subject to TI's standard terms and conditions of sale. Customers are advised to obtain the most current and complete information about TI products and services before placing orders. TI assumes no liability for applications assistance, customer's applications or product designs, software performance, or infringement of patents. The publication of information regarding any other company's products or services does not constitute TI's approval, warranty or endorsement thereof.

**A010208**

## IMPORTANT NOTICE

Texas Instruments Incorporated and its subsidiaries (TI) reserve the right to make corrections, modifications, enhancements, improvements, and other changes to its products and services at any time and to discontinue any product or service without notice. Customers should obtain the latest relevant information before placing orders and should verify that such information is current and complete. All products are sold subject to TI's terms and conditions of sale supplied at the time of order acknowledgment.

TI warrants performance of its hardware products to the specifications applicable at the time of sale in accordance with TI's standard warranty. Testing and other quality control techniques are used to the extent TI deems necessary to support this warranty. Except where mandated by government requirements, testing of all parameters of each product is not necessarily performed.

TI assumes no liability for applications assistance or customer product design. Customers are responsible for their products and applications using TI components. To minimize the risks associated with customer products and applications, customers should provide adequate design and operating safeguards.

TI does not warrant or represent that any license, either express or implied, is granted under any TI patent right, copyright, mask work right, or other TI intellectual property right relating to any combination, machine, or process in which TI products or services are used. Information published by TI regarding third-party products or services does not constitute a license from TI to use such products or services or a warranty or endorsement thereof. Use of such information may require a license from a third party under the patents or other intellectual property of the third party, or a license from TI under the patents or other intellectual property of TI.

Reproduction of TI information in TI data books or data sheets is permissible only if reproduction is without alteration and is accompanied by all associated warranties, conditions, limitations, and notices. Reproduction of this information with alteration is an unfair and deceptive business practice. TI is not responsible or liable for such altered documentation. Information of third parties may be subject to additional restrictions.

Resale of TI products or services with statements different from or beyond the parameters stated by TI for that product or service voids all express and any implied warranties for the associated TI product or service and is an unfair and deceptive business practice. TI is not responsible or liable for any such statements.

TI products are not authorized for use in safety-critical applications (such as life support) where a failure of the TI product would reasonably be expected to cause severe personal injury or death, unless officers of the parties have executed an agreement specifically governing such use. Buyers represent that they have all necessary expertise in the safety and regulatory ramifications of their applications, and acknowledge and agree that they are solely responsible for all legal, regulatory and safety-related requirements concerning their products and any use of TI products in such safety-critical applications, notwithstanding any applications-related information or support that may be provided by TI. Further, Buyers must fully indemnify TI and its representatives against any damages arising out of the use of TI products in such safety-critical applications.

TI products are neither designed nor intended for use in military/aerospace applications or environments unless the TI products are specifically designated by TI as military-grade or "enhanced plastic." Only products designated by TI as military-grade meet military specifications. Buyers acknowledge and agree that any such use of TI products which TI has not designated as military-grade is solely at the Buyer's risk, and that they are solely responsible for compliance with all legal and regulatory requirements in connection with such use.

TI products are neither designed nor intended for use in automotive applications or environments unless the specific TI products are designated by TI as compliant with ISO/TS 16949 requirements. Buyers acknowledge and agree that, if they use any non-designated products in automotive applications, TI will not be responsible for any failure to meet such requirements.

Following are URLs where you can obtain information on other Texas Instruments products and application solutions:

### Products

Amplifiers	<a href="http://amplifier.ti.com">amplifier.ti.com</a>
Data Converters	<a href="http://dataconverter.ti.com">dataconverter.ti.com</a>
DSP	<a href="http://dsp.ti.com">dsp.ti.com</a>
Clocks and Timers	<a href="http://www.ti.com/clocks">www.ti.com/clocks</a>
Interface	<a href="http://interface.ti.com">interface.ti.com</a>
Logic	<a href="http://logic.ti.com">logic.ti.com</a>
Power Mgmt	<a href="http://power.ti.com">power.ti.com</a>
Microcontrollers	<a href="http://microcontroller.ti.com">microcontroller.ti.com</a>
RFID	<a href="http://www.ti-rfid.com">www.ti-rfid.com</a>
RF/IF and ZigBee® Solutions	<a href="http://www.ti.com/lprf">www.ti.com/lprf</a>

### Applications

Audio	<a href="http://www.ti.com/audio">www.ti.com/audio</a>
Automotive	<a href="http://www.ti.com/automotive">www.ti.com/automotive</a>
Broadband	<a href="http://www.ti.com/broadband">www.ti.com/broadband</a>
Digital Control	<a href="http://www.ti.com/digitalcontrol">www.ti.com/digitalcontrol</a>
Medical	<a href="http://www.ti.com/medical">www.ti.com/medical</a>
Military	<a href="http://www.ti.com/military">www.ti.com/military</a>
Optical Networking	<a href="http://www.ti.com/opticalnetwork">www.ti.com/opticalnetwork</a>
Security	<a href="http://www.ti.com/security">www.ti.com/security</a>
Telephony	<a href="http://www.ti.com/telephony">www.ti.com/telephony</a>
Video & Imaging	<a href="http://www.ti.com/video">www.ti.com/video</a>
Wireless	<a href="http://www.ti.com/wireless">www.ti.com/wireless</a>

Mailing Address: Texas Instruments, Post Office Box 655303, Dallas, Texas 75265  
Copyright © 2008, Texas Instruments Incorporated