

TI-RSLK

Texas Instruments Robotics System Learning Kit



TEXAS INSTRUMENTS

Module 16

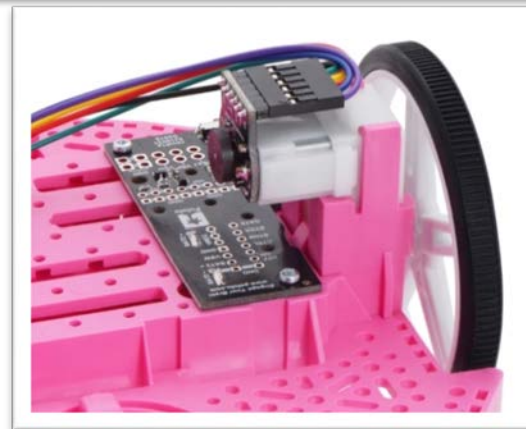
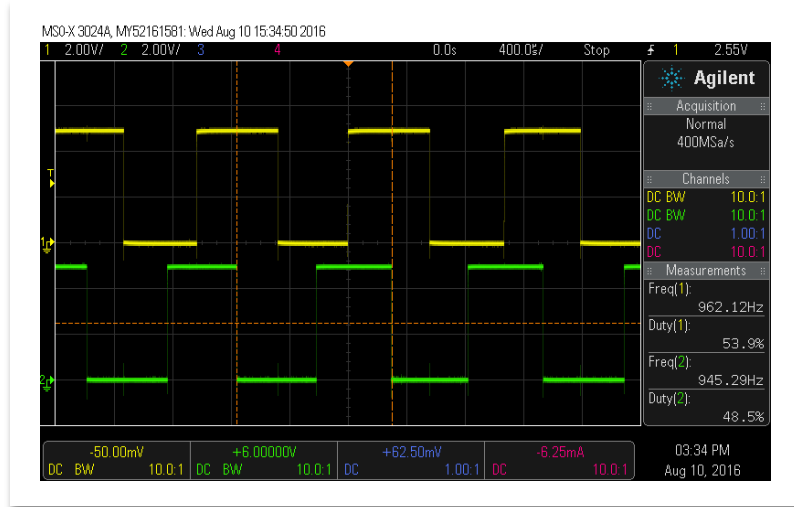
Lecture: Tachometer - Input Capture



Tachometer

You will learn in this module

- Timer A
 - Clock input, prescale
 - Input capture
- Period Measurement
 - Precision
 - Range
 - Resolution
- Motor Performance
 - Speed
 - Time constant





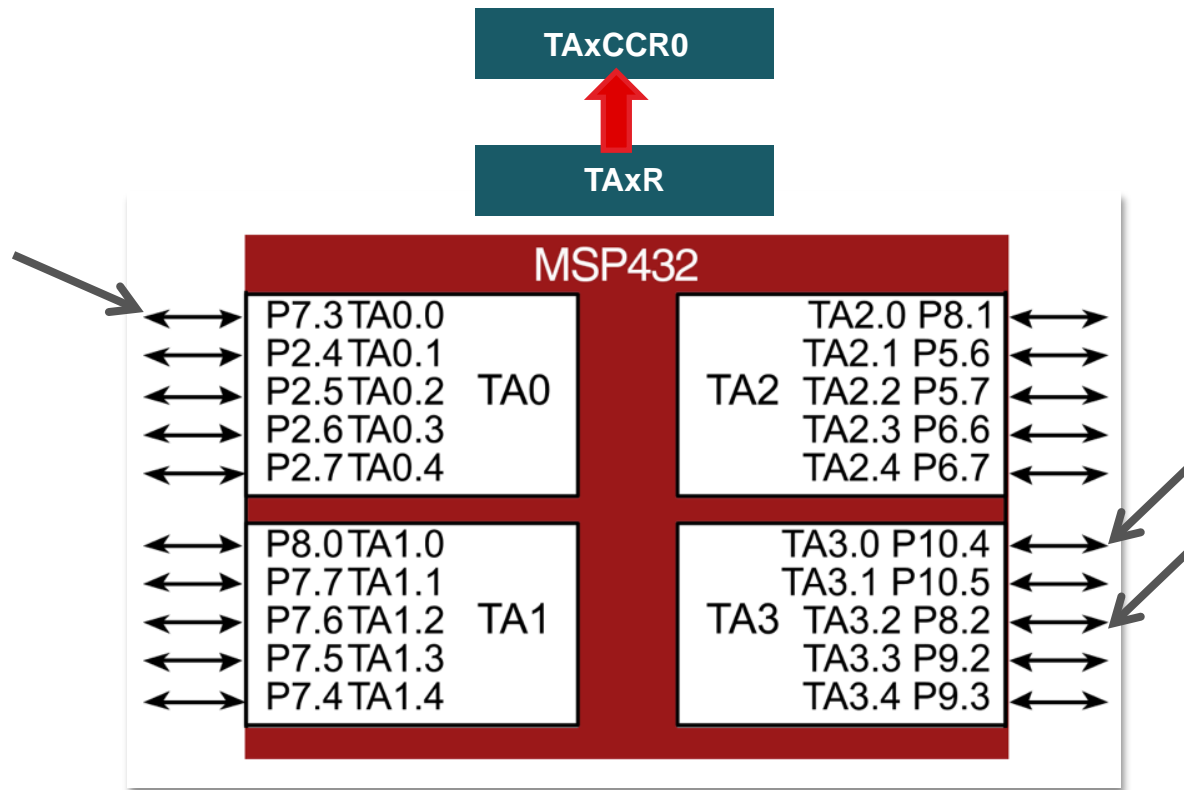
Timer_A for input and output

Components

- Pins
 - Input capture
 - Output compare

- Precision
 - 16-bits

- Resolution
 - Clock period
 - Prescale



SMCLK = 48MHz/4 = 12 MHz, 83.33ns



Timer_A registers

	15-10	9-8	7-6	5-4	3	2	1	0	Name
0.0000		TASSEL	ID	MC		TACLRL	TAIE	TAIFG	TAOCTL

	15-14	13-12	11	10	9	8	7-5	4	3	2	1	0	
0.0002	CM	CCIS	SCS	SCCI		CAP	OUTMOD	CCIE	CCI	OUT	COV	CCIFG	TA0CCTL0
0.0004	CM	CCIS	SCS	SCCI		CAP	OUTMOD	CCIE	CCI	OUT	COV	CCIFG	TA0CCTL1
0.0006	CM	CCIS	SCS	SCCI		CAP	OUTMOD	CCIE	CCI	OUT	COV	CCIFG	TA0CCTL2
0.0008	CM	CCIS	SCS	SCCI		CAP	OUTMOD	CCIE	CCI	OUT	COV	CCIFG	TA0CCTL3
0.000A	CM	CCIS	SCS	SCCI		CAP	OUTMOD	CCIE	CCI	OUT	COV	CCIFG	TA0CCTL4
0.000C	CM	CCIS	SCS	SCCI		CAP	OUTMOD	CCIE	CCI	OUT	COV	CCIFG	TA0CCTL5
0.000E	CM	CCIS	SCS	SCCI		CAP	OUTMOD	CCIE	CCI	OUT	COV	CCIFG	TA0CCTL6

	15-0		
0.0010	16-bit counter		TA0R
0.0012	16-bit Capture/Compare 0 Register		TA0CCR0
0.0014	16-bit Capture/Compare 1 Register		TA0CCR1
0.0016	16-bit Capture/Compare 2 Register		TA0CCR2
0.0018	16-bit Capture/Compare 3 Register		TA0CCR3
0.001A	16-bit Capture/Compare 4 Register		TA0CCR4
0.001C	16-bit Capture/Compare 5 Register		TA0CCR5
0.001E	16-bit Capture/Compare 6 Register		TA0CCR6

	15-3	2-0	
0.0020			TAIDEX

	15-0		
0.002E	TAIV		TA0IV



Timer_A registers

	15-10	9-8	7-6	5-4	3	2	1	0	Name
0.0000		TASSEL	ID	MC		TACLRL	TAIE	TAIFG	TAOCTL

	15-14	13-12	11	10	9	8	7-5	4	3	2	1	0	
0.0002	CM	CCIS	SCS	SCCI		CAP	OUTMOD	CCIE	CCI	OUT	COV	CCIFG	TAOCCTL0
0.0004	CM	CCIS	SCS	SCCI		CAP	OUTMOD	CCIE	CCI	OUT	COV	CCIFG	TAOCCTL1
0.0006	CM	CCIS	SCS	SCCI		CAP	OUTMOD	CCIE	CCI	OUT	COV	CCIFG	TAOCCTL2
0.0008	CM	CCIS	SCS	SCCI		CAP	OUTMOD	CCIE	CCI	OUT	COV	CCIFG	TAOCCTL3

```
// 01, 00, 1, 0, 0, 1, 000, 1, 0, 0, 0, 0
TIMER_A0->CCTL[0] = 0x4910;
```

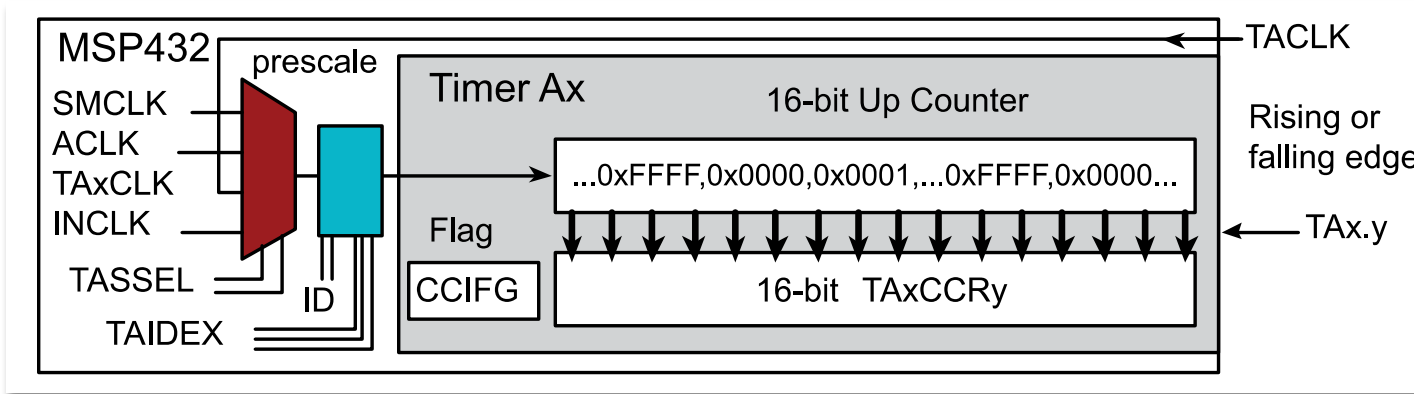
	15-0	
0.0010	16-bit counter	TAOR
0.0012	16-bit Capture/Compare 0 Register	TAOCCR0
0.0014	16-bit Capture/Compare 1 Register	TAOCCR1
0.0016	16-bit Capture/Compare 2 Register	TAOCCR2
0.0018	16-bit Capture/Compare 3 Register	TAOCCR3
0.001A	16-bit Capture/Compare 4 Register	TAOCCR4
0.001C	16-bit Capture/Compare 5 Register	TAOCCR5
0.001E	16-bit Capture/Compare 6 Register	TAOCCR6

	15-3	2-0	
0.0020		TAIDEX	TAOEX0

	15-0	
0.002E	TAIV	TAOIV



Clock and prescale



TASSEL	Selected Clock
00	TAxCLK
01	ACLK
10	SMCLK
11	INCLK

ID	Prescale
00	/1
01	/2
10	/4
11	/8

Resolution = $T * 2^{ID} * (TAIDEX+1)$
 Range = Precision * Resolution



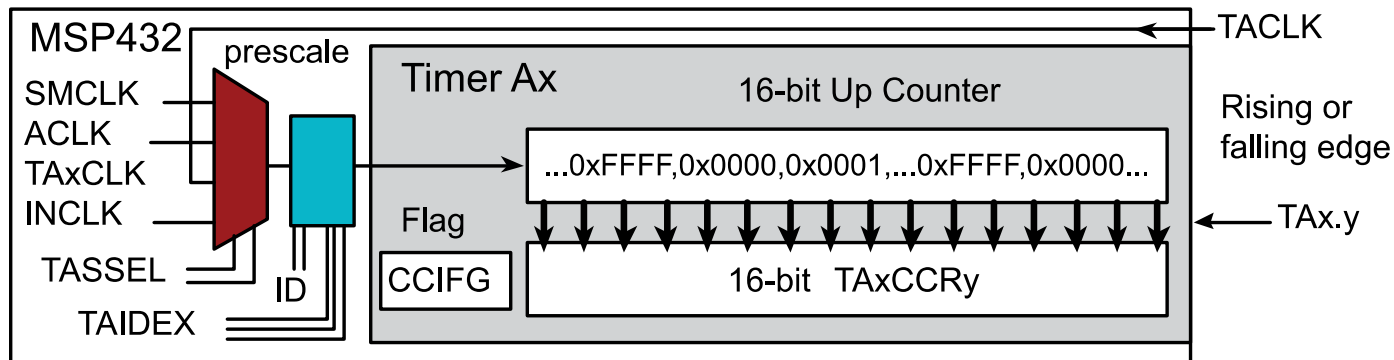
Timer_A Modes

CM	Capture mode
00	No capture
01	Capture on rising edge
10	Capture on falling edge
11	Capture on both rising and falling edges

CM bits15-14=01 capture on rising edge
CCIS bits13-12=00 capture input on CCIxA
SCS bit 11=1 synchronous capture source
CAP bit 8=1 capture mode
CCIE bit 4=1 arm for interrupt
CCIFG bit 0=0 trigger, set by hardware, cleared by software



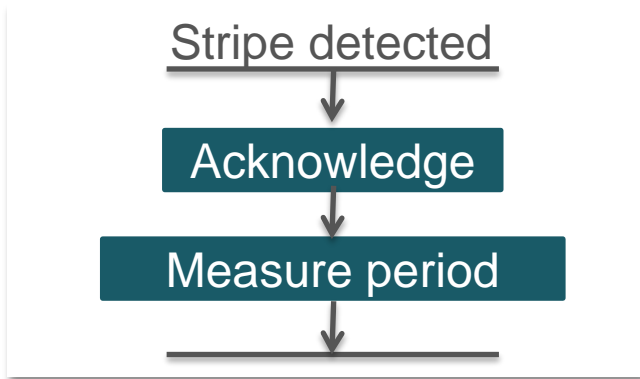
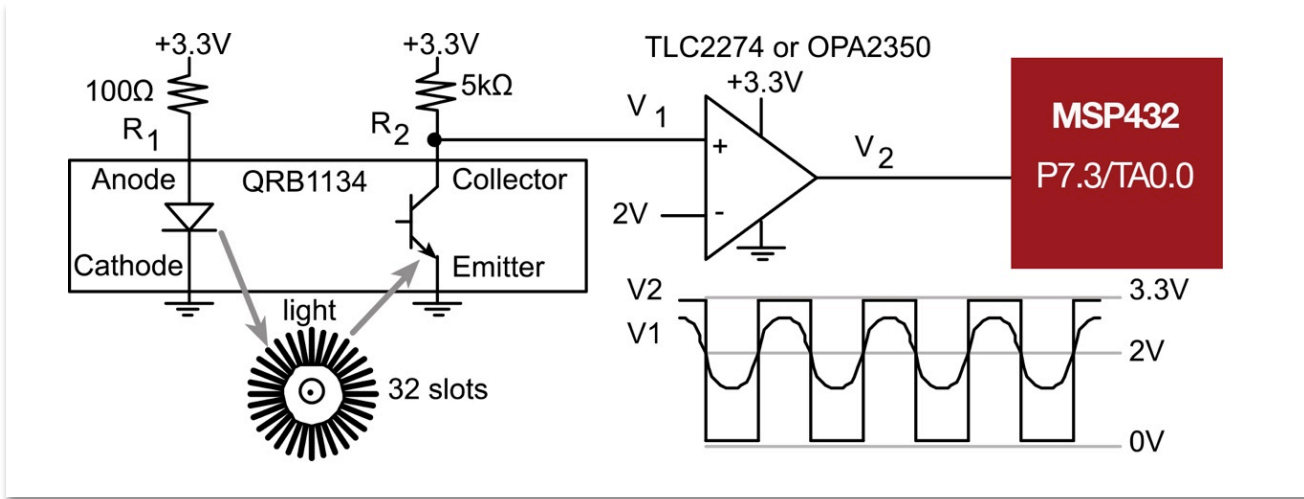
Clock and prescale



- 0) Halt the timer (MC=00),
- 1) Set the timer clock and prescale,
- 2) Set submodule 0 to capture rising, arm interrupt
- 3) Set the priority in the correct NVIC Priority register
- 4) Enable the interrupt in the NVIC Interrupt Enable register
- 5) Reset the timer and start it in up mode
- 6) Enable interrupts (in the main program after all devices initialized)



Period Measurement Example





Period Measurement Example

```
void TimerA0Capture_Init(void){
    P7->SEL0 |= 0x08;
    P7->SEL1 &= ~0x08;    // configure P7.3 as TA0CCP0
    P7->DIR &= ~0x08;    // make P7.3 in
    TIMER_A0->CTL &= ~0x0030;    // halt Timer A0
    // bits9-8=10,        clock source to SMCLK
    // bits7-6=00,        input clock divider /1
    // bits5-4=00,        stop mode
    TIMER_A0->CTL = 0x0200;
    // bits15-14=01,     capture on rising edge
    // bits13-12=00,     capture/compare input on CCI0A
    // bit11=1,          synchronous capture source
    // bit8=1,           capture mode
    // bit4=1,           enable capture/compare interrupt
    // bit0=0,           clear capture/compare interrupt pending
    TIMER_A0->CCTL[0] = 0x4910;
    TIMER_A0->EX0 &= ~0x0007; // configure for input clock divider /1
    NVIC->IP[2] = (NVIC->IP[2]&0xFFFFF00)|0x00000040; // priority 2
    NVIC->ISER[0] = 0x00000100; // enable interrupt 8 in NVIC
    TIMER_A0->CTL |= 0x0024;    // reset and start Timer A0 in continuous up mode
}
```

Interrupts enabled in the main program after all devices initialized



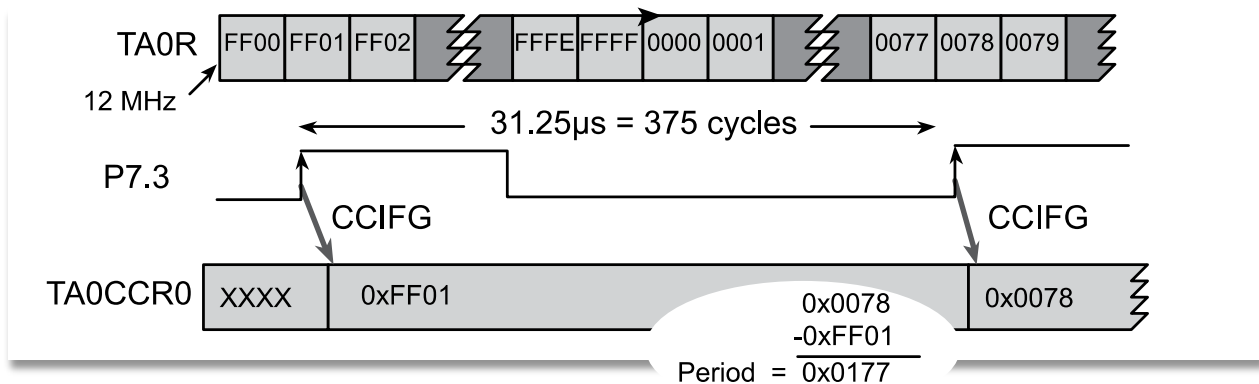
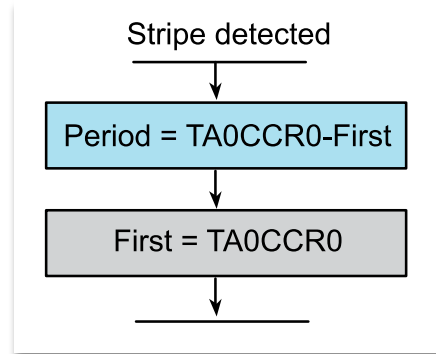
Period Measurement

Interrupt on rising edge

```

uint16_t First, Period;
void TA0_0_IRQHandler(void){
    TIMER_A0->CCTL[0] &= ~0x0001;
    // acknowledge capture/compare interrupt 0
    Period = TIMER_A0->CCR[0]-First;
    First = TIMER_A0->CCR[0];
}

```



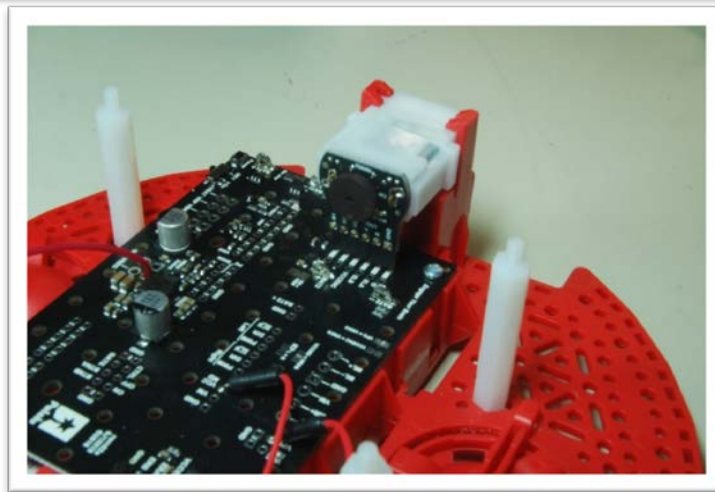
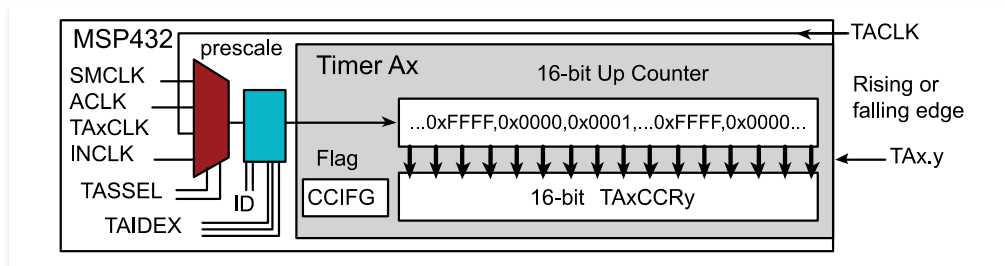
Precision 16 bits
 Resolution 83.33ns
 Range 10us to 5.4ms



Summary

Measuring speed with input capture

- Timer_A
 - Clock input,
 - Prescale
 - Input capture
- Period Measurement
 - Precision
 - Range
 - Resolution
- Motor Performance
 - Speed
 - Time constant



Module 16

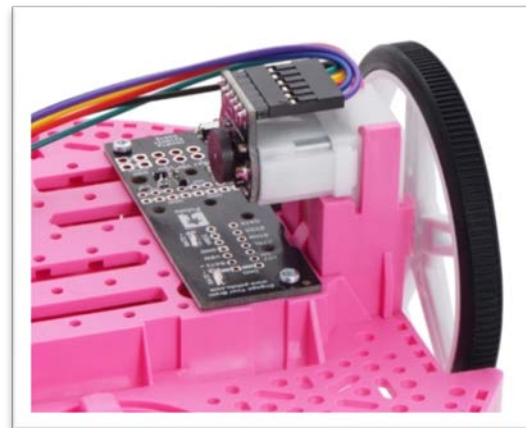
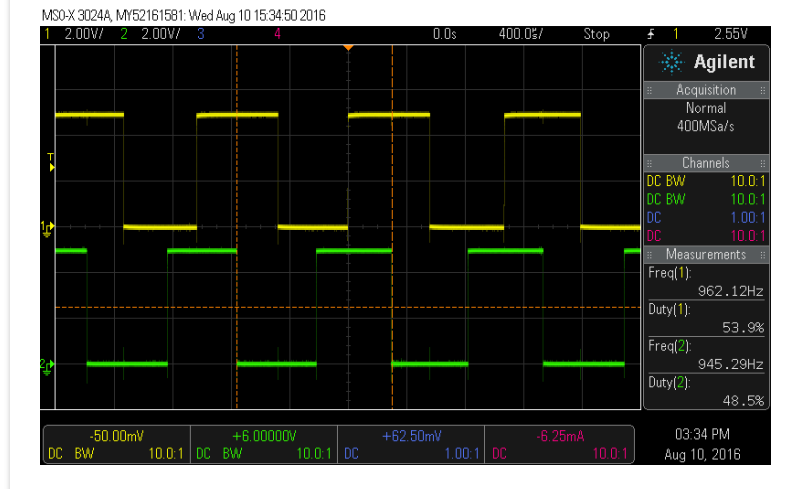
Lecture: Tachometer - Interface



Tachometer

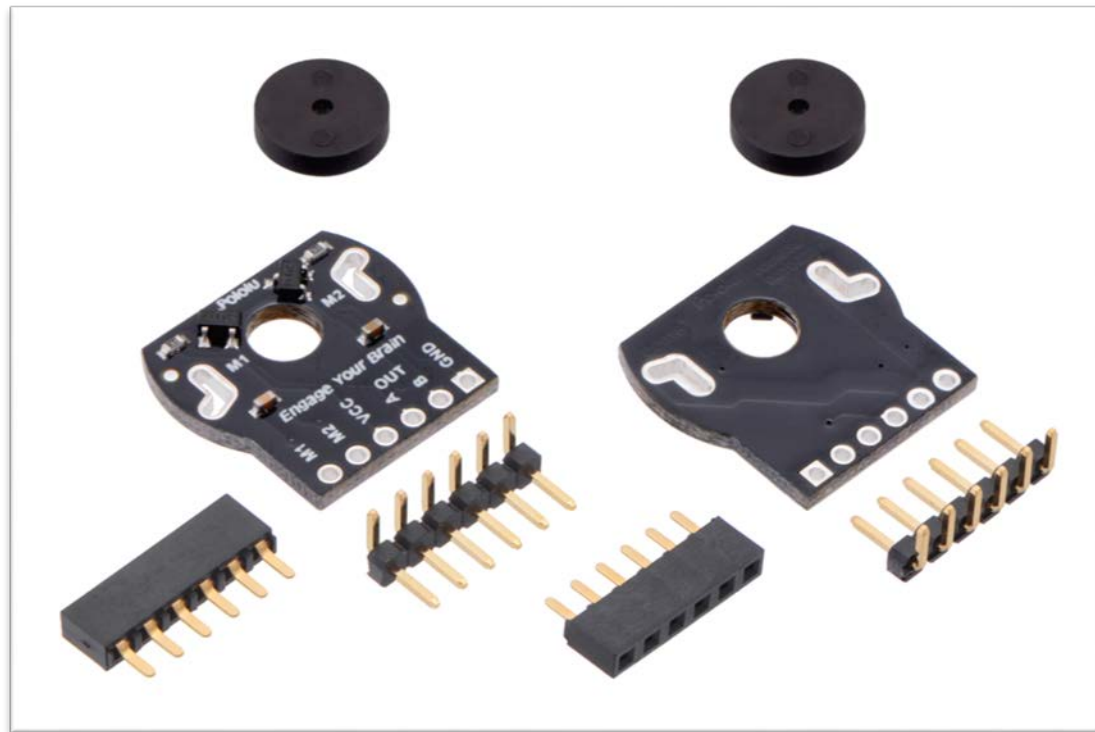
You will learn in this module

- Encoder
 - Motor speed
 - Motor direction
- Motor Performance
 - Speed
 - Time constant





Encoders



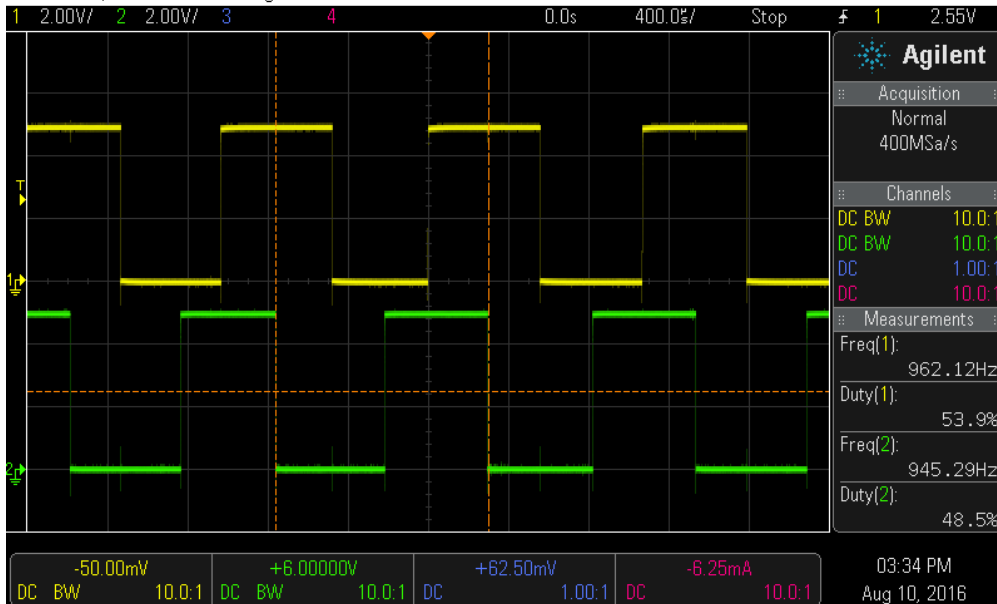


360 pulses/rotation

$$\begin{aligned} \text{Speed (rpm)} &= \\ &(1 \text{ rotation}/360\text{pulses}) \\ &* (1,000,000,000\text{ns}/\text{sec}) \\ &* (60\text{sec}/\text{min}) \\ &/ (\text{Period} * 83.33\text{ns}/\text{pulse}) \end{aligned}$$

$$\text{Speed} = 2,000,000/\text{Period}$$

MSO-X 3024A, MY52161581: Wed Aug 10 15:34:50 2016

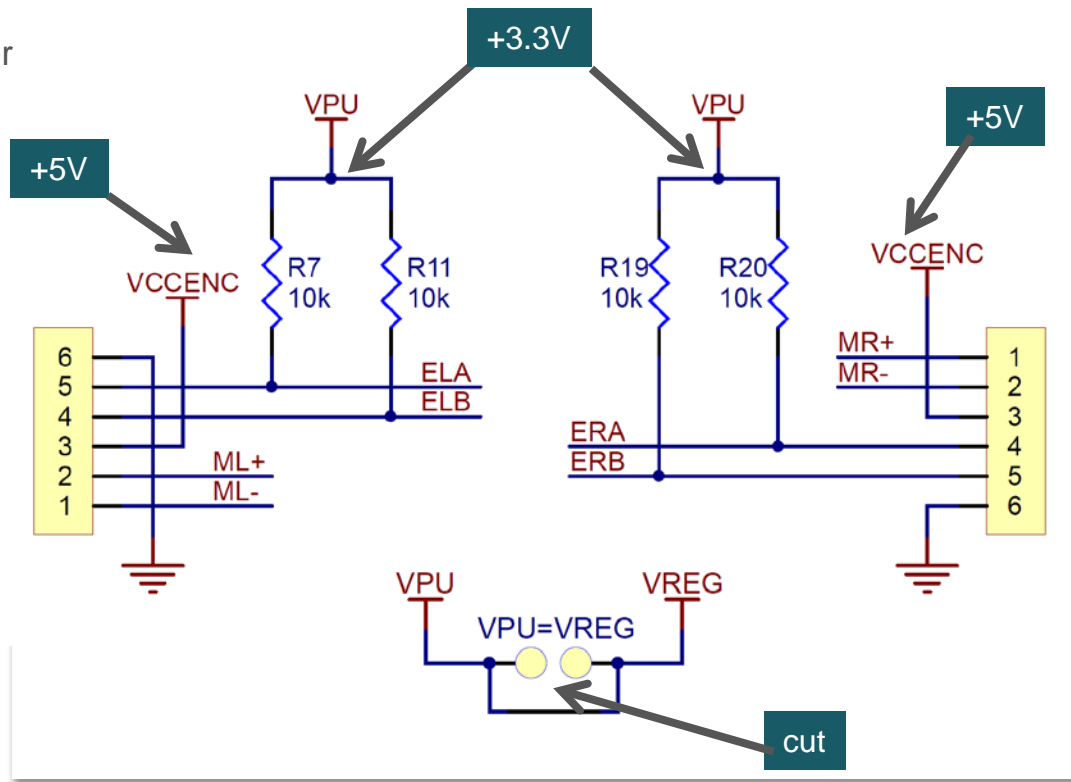




Pololu Board interface of two encoders

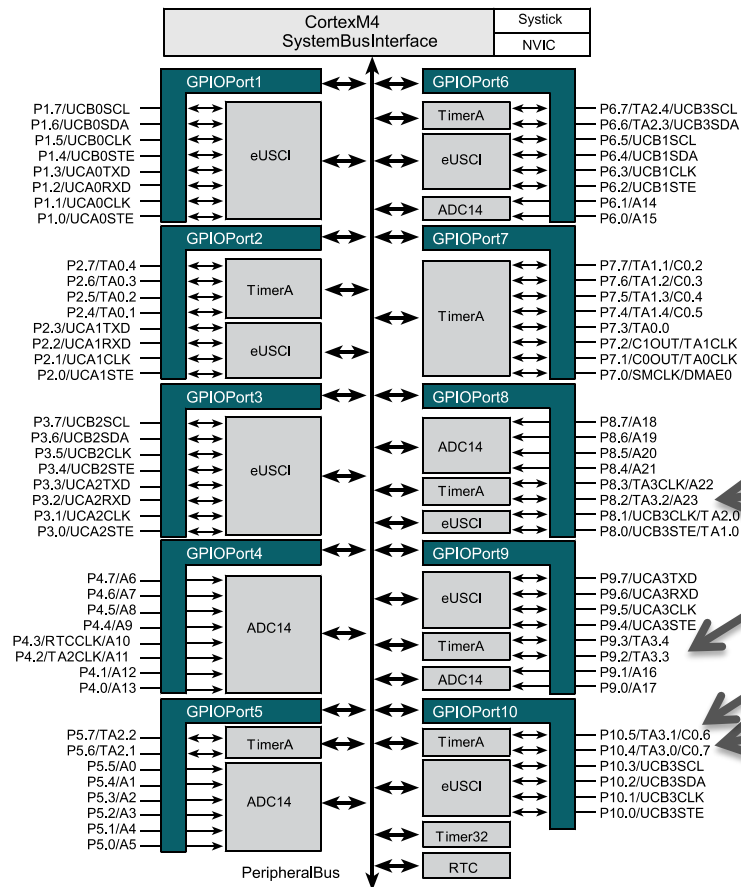
Lab 5:

- Cut the VPU—VREG jumper
- Connect VPU to 3.3V



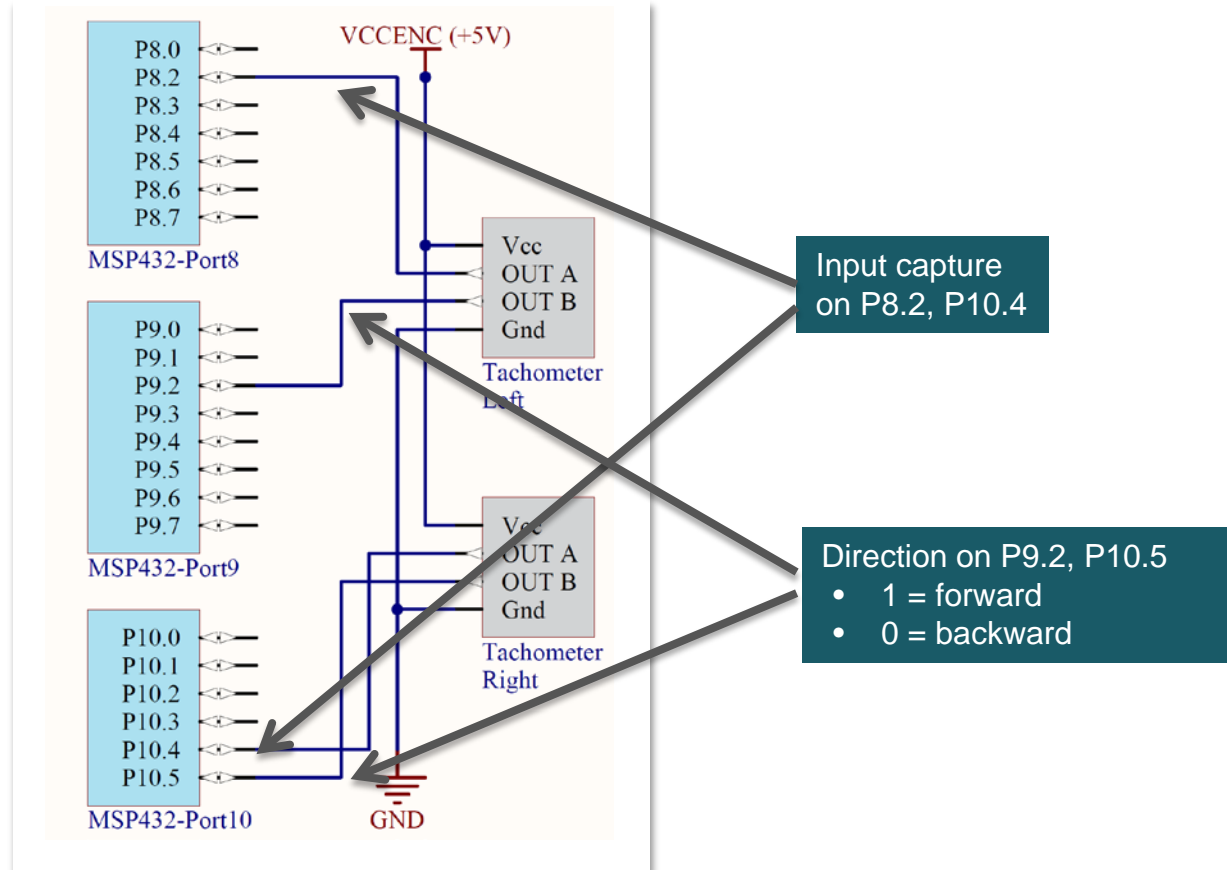


MSP432 Planning



- P8.2 Capture
- P9.2 GPIO
- P10.5 GPIO
- P10.4 Capture

Pololu Board interface of two encoders





Interrupt Vectors, numbers, names, and priority

Vector	Number	IRQ	ISR name	NVIC priority	Priority
0x0000002C	11	-5	SVC_Handler	SCB_SHPR2	31 - 29
0x00000038	14	-2	PendSV_Handler	SCB_SHPR3	23 - 21
0x0000003C	15	-1	SysTick_Handler	SCB_SHPR3	31 - 29
0x00000060	24	8	TA0_0_IRQHandler	NVIC_IPR2	7 - 5
0x00000064	25	9	TA0_N_IRQHandler	NVIC_IPR2	15 - 13
0x00000068	26	10	TA1_0_IRQHandler	NVIC_IPR2	23 - 21
0x0000006C	27	11	TA1_N_IRQHandler	NVIC_IPR2	31 - 29
0x00000070	28	12	TA2_0_IRQHandler	NVIC_IPR3	7 - 5
0x00000074	29	13	TA2_N_IRQHandler	NVIC_IPR3	15 - 13
0x00000078	30	14	TA3_0_IRQHandler	NVIC_IPR3	23 - 21
0x0000007C	31	15	TA3_N_IRQHandler	NVIC_IPR3	31 - 29
0x00000080	32	16	EUSCIA0_IRQHandler	NVIC_IPR4	7 - 5
0x00000084	33	17	EUSCIA1_IRQHandler	NVIC_IPR4	15 - 13
0x00000088	34	18	EUSCIA2_IRQHandler	NVIC_IPR4	23 - 21
0x0000008C	35	19	EUSCIA3_IRQHandler	NVIC_IPR4	31 - 29
0x00000090	36	20	EUSCIB0_IRQHandler	NVIC_IPR5	7 - 5

```
0x void TA3_0_IRQHandler(void){
0x     TIMER_A3->CCTL[0] &= ~0x0001; // ack
0x     // body
0x }
0x void TA3_N_IRQHandler(void){
0x     TIMER_A3->CCTL[2] &= ~0x0001; // ack
0x     // body
0x }
```

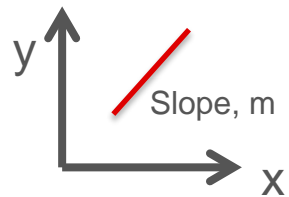


Motor Model

Duty cycle, $X(t)$ → **Motor** → Speed $Y(t)$

Linear model

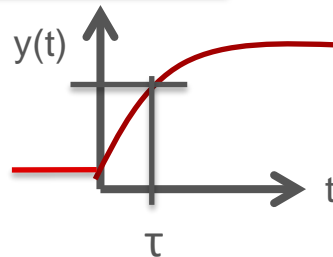
- Gain, m
- Time constant, τ



Duty cycle, $X(s)$ → **Motor** → Speed $Y(s)$

$$H(s) = \frac{Y(s)}{X(s)} = \frac{m}{1+s\tau}$$

Motors are not linear
Friction affects everything



$$y(t) = S_0 + \Delta S e^{-t/\tau}$$



Motor Time Constant

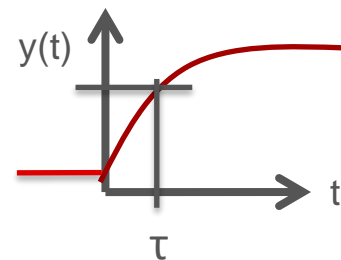
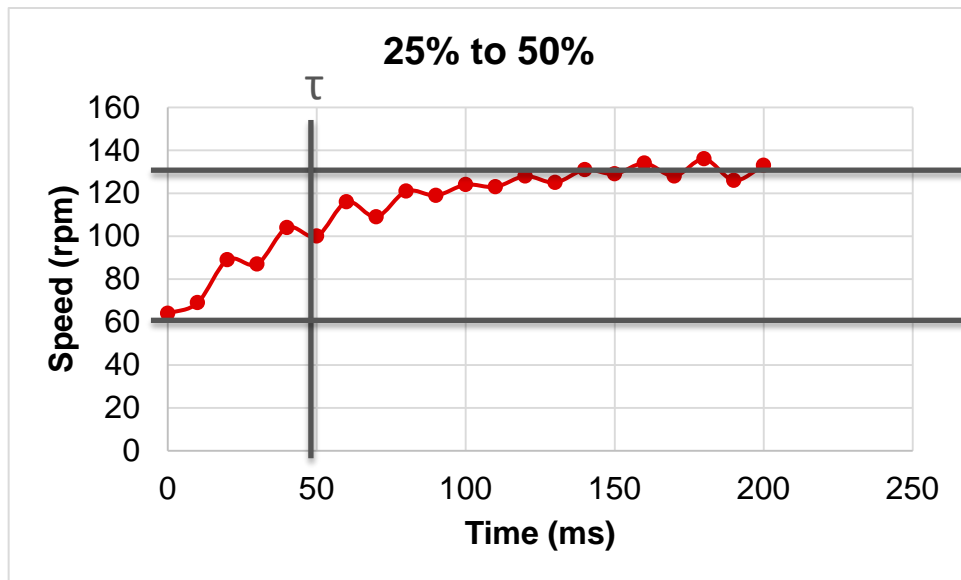
Duty cycle, $X(t)$



Motor



Speed $Y(t)$



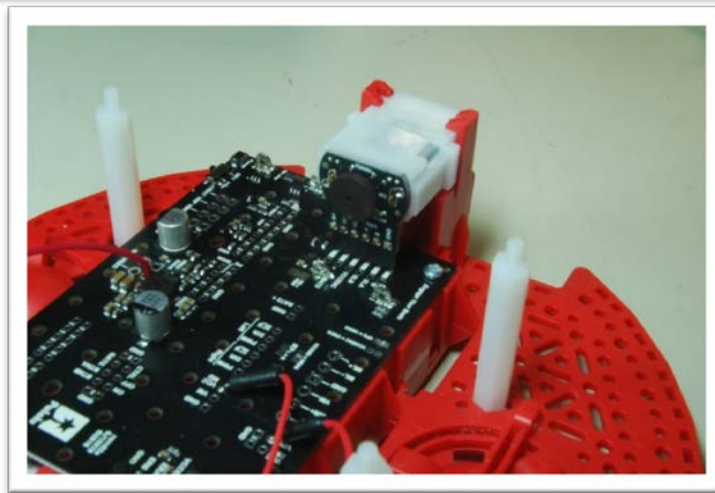
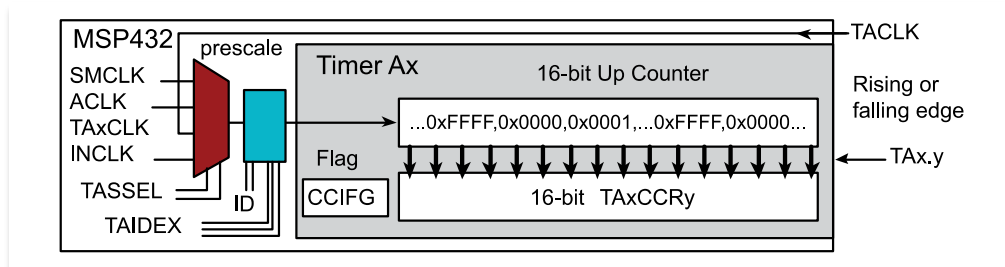
$$y(t) = S_0 + \Delta S e^{-t/\tau}$$



Summary

Measuring speed with input capture

- Timer_A
 - Clock input,
 - Prescale
 - Input capture
- Period Measurement
 - Precision
 - Range
 - Resolution
- Motor Performance
 - Speed
 - Time constant



IMPORTANT NOTICE FOR TI DESIGN INFORMATION AND RESOURCES

Texas Instruments Incorporated ("TI") technical, application or other design advice, services or information, including, but not limited to, reference designs and materials relating to evaluation modules, (collectively, "TI Resources") are intended to assist designers who are developing applications that incorporate TI products; by downloading, accessing or using any particular TI Resource in any way, you (individually or, if you are acting on behalf of a company, your company) agree to use it solely for this purpose and subject to the terms of this Notice.

TI's provision of TI Resources does not expand or otherwise alter TI's applicable published warranties or warranty disclaimers for TI products, and no additional obligations or liabilities arise from TI providing such TI Resources. TI reserves the right to make corrections, enhancements, improvements and other changes to its TI Resources.

You understand and agree that you remain responsible for using your independent analysis, evaluation and judgment in designing your applications and that you have full and exclusive responsibility to assure the safety of your applications and compliance of your applications (and of all TI products used in or for your applications) with all applicable regulations, laws and other applicable requirements. You represent that, with respect to your applications, you have all the necessary expertise to create and implement safeguards that (1) anticipate dangerous consequences of failures, (2) monitor failures and their consequences, and (3) lessen the likelihood of failures that might cause harm and take appropriate actions. You agree that prior to using or distributing any applications that include TI products, you will thoroughly test such applications and the functionality of such TI products as used in such applications. TI has not conducted any testing other than that specifically described in the published documentation for a particular TI Resource.

You are authorized to use, copy and modify any individual TI Resource only in connection with the development of applications that include the TI product(s) identified in such TI Resource. NO OTHER LICENSE, EXPRESS OR IMPLIED, BY ESTOPPEL OR OTHERWISE TO ANY OTHER TI INTELLECTUAL PROPERTY RIGHT, AND NO LICENSE TO ANY TECHNOLOGY OR INTELLECTUAL PROPERTY RIGHT OF TI OR ANY THIRD PARTY IS GRANTED HEREIN, including but not limited to any patent right, copyright, mask work right, or other intellectual property right relating to any combination, machine, or process in which TI products or services are used. Information regarding or referencing third-party products or services does not constitute a license to use such products or services, or a warranty or endorsement thereof. Use of TI Resources may require a license from a third party under the patents or other intellectual property of the third party, or a license from TI under the patents or other intellectual property of TI.

TI RESOURCES ARE PROVIDED "AS IS" AND WITH ALL FAULTS. TI DISCLAIMS ALL OTHER WARRANTIES OR REPRESENTATIONS, EXPRESS OR IMPLIED, REGARDING TI RESOURCES OR USE THEREOF, INCLUDING BUT NOT LIMITED TO ACCURACY OR COMPLETENESS, TITLE, ANY EPIDEMIC FAILURE WARRANTY AND ANY IMPLIED WARRANTIES OF MERCHANTABILITY, FITNESS FOR A PARTICULAR PURPOSE, AND NON-INFRINGEMENT OF ANY THIRD PARTY INTELLECTUAL PROPERTY RIGHTS.

TI SHALL NOT BE LIABLE FOR AND SHALL NOT DEFEND OR INDEMNIFY YOU AGAINST ANY CLAIM, INCLUDING BUT NOT LIMITED TO ANY INFRINGEMENT CLAIM THAT RELATES TO OR IS BASED ON ANY COMBINATION OF PRODUCTS EVEN IF DESCRIBED IN TI RESOURCES OR OTHERWISE. IN NO EVENT SHALL TI BE LIABLE FOR ANY ACTUAL, DIRECT, SPECIAL, COLLATERAL, INDIRECT, PUNITIVE, INCIDENTAL, CONSEQUENTIAL OR EXEMPLARY DAMAGES IN CONNECTION WITH OR ARISING OUT OF TI RESOURCES OR USE THEREOF, AND REGARDLESS OF WHETHER TI HAS BEEN ADVISED OF THE POSSIBILITY OF SUCH DAMAGES.

You agree to fully indemnify TI and its representatives against any damages, costs, losses, and/or liabilities arising out of your non-compliance with the terms and provisions of this Notice.

This Notice applies to TI Resources. Additional terms apply to the use and purchase of certain types of materials, TI products and services. These include; without limitation, TI's standard terms for semiconductor products (<http://www.ti.com/sc/docs/stdterms.htm>), [evaluation modules](#), and [samples](http://www.ti.com/sc/docs/sampterm.htm) (<http://www.ti.com/sc/docs/sampterm.htm>).

Mailing Address: Texas Instruments, Post Office Box 655303, Dallas, Texas 75265
Copyright © 2018, Texas Instruments Incorporated