

INA199-Q1 Automotive, 26-V, Bidirectional, Zero-Drift, Low-Side or High-Side, Voltage-Output, Current-Shunt Monitor

1 Features

- AEC-Q100 qualified for automotive applications:
 - Temperature grade 1: -40°C to 125°C , T_A
- **Functional Safety-Capable**
 - [Documentation available to aid functional safety system design](#)
- Wide common-mode range: -0.1 V to 26 V
- Offset voltage: $\pm 150\ \mu\text{V}$ (maximum) (enables shunt drops of 10-mV full-scale)
- Accuracy:
 - Gain error (maximum over temperature):
 - $\pm 1\%$ (C version)
 - $\pm 1.5\%$ (B version)
 - Offset drift: $0.5\text{-}\mu\text{V}/^{\circ}\text{C}$ (maximum)
 - Gain drift: $10\text{-ppm}/^{\circ}\text{C}$ (maximum)
- Choice of gains:
 - INA199x1-Q1: 50 V/V
 - INA199x2-Q1: 100 V/V
 - INA199x3-Q1: 200 V/V
- Quiescent current: $100\ \mu\text{A}$ (maximum)
- Package: 6-pin SC70

2 Applications

- Mirrors
- Brake systems
- EGR valves
- Power seats
- Body control modules
- Electric windows
- Seat heaters
- Wireless charging

3 Description

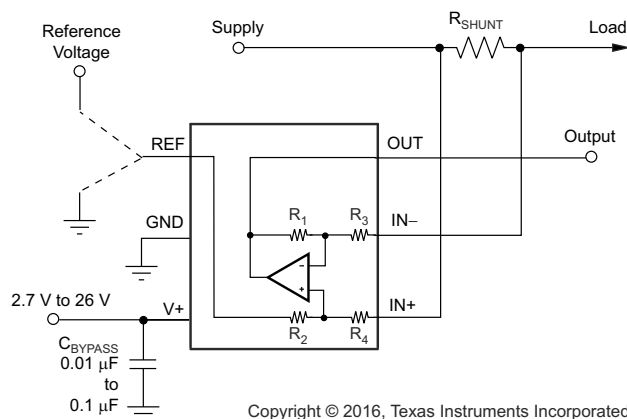
The INA199-Q1 is a voltage-output, current-sense amplifier that can sense drops across shunts at common-mode voltages from -0.1 V to 26 V , independent of the supply voltage. Three fixed gains are available: 50 V/V , 100 V/V , and 200 V/V . The low offset of the zero-drift architecture enables current sensing with maximum drops across the shunt as low as 10-mV full-scale.

This device operates from a single 2.7-V to 26-V power supply, drawing a maximum of $100\ \mu\text{A}$ of supply current. All gain options are specified from -40°C to $+125^{\circ}\text{C}$, and are offered in a 6-pin SC70 package.

Device Information⁽¹⁾

PART NUMBER	PACKAGE	BODY SIZE (NOM)
INA199-Q1	SC70 (6)	2.00 mm × 1.25 mm

- (1) For all available packages, see the package option addendum at the end of the data sheet.



Simplified Schematic



Table of Contents

1 Features	1	8.4 Device Functional Modes.....	10
2 Applications	1	9 Application and Implementation	11
3 Description	1	9.1 Application Information.....	11
4 Revision History	2	9.2 Typical Applications.....	17
5 Device Comparison	3	10 Power Supply Recommendations	19
6 Pin Configuration and Functions	3	11 Layout	19
7 Specifications	4	11.1 Layout Guidelines.....	19
7.1 Absolute Maximum Ratings.....	4	11.2 Layout Example.....	19
7.2 ESD Ratings.....	4	12 Device and Documentation Support	20
7.3 Recommended Operating Conditions.....	4	12.1 Documentation Support.....	20
7.4 Thermal Information.....	4	12.2 Receiving Notification of Documentation Updates.....	20
7.5 Electrical Characteristics.....	5	12.3 Support Resources.....	20
7.6 Typical Characteristics.....	6	12.4 Trademarks.....	20
8 Detailed Description	10	12.5 Electrostatic Discharge Caution.....	20
8.1 Overview.....	10	12.6 Glossary.....	20
8.2 Functional Block Diagram.....	10	13 Mechanical, Packaging, and Orderable Information	20
8.3 Feature Description.....	10		

4 Revision History

NOTE: Page numbers for previous revisions may differ from page numbers in the current version.

Changes from Revision D (August 2019) to Revision E (May 2021)	Page
• Updated the numbering format for tables, figures, and cross-references throughout the document.....	1
• Added Functional Safety bullets.....	1
Changes from Revision C (August 2017) to Revision D (August 2019)	Page
• Changed V_S and V_{IN} maximum values from 26 V to 28 V in <i>Absolute Maximum Ratings</i> table.....	4
• Changed differential V_{IN} minimum value from –26 V to –28 V in <i>Absolute Maximum Ratings</i> table.....	4
• Added new Note 2 with caution regarding operation between 26 V and 28 V.....	4
Changes from Revision B (July 2016) to Revision C (August 2017)	Page
• Added C version devices and associated content to data sheet	1
• Changed location of V_S voltage range from <i>Electrical Characteristics</i> table to <i>Recommended Operating Conditions</i> table.....	5
• Deleted redundant <i>Temperature Range</i> section from <i>Electrical Characteristics</i> table; all information already shown in <i>Thermal Information</i> and <i>Recommended Operating Conditions</i> tables.....	5
Changes from Revision A (May 2016) to Revision B (July 2016)	Page
• Changed <i>ESD Ratings</i> table: changed HBM value and deleted machine model row	4
Changes from Revision * (March 2016) to Revision A (May 2016)	Page
• Released to production	1

5 Device Comparison

Table 5-1. Device Comparison

PRODUCT	GAIN	R ₃ AND R ₄	R ₁ AND R ₂
INA199B1-Q1	50 V/V	20 kΩ	1 MΩ
INA199C1-Q1			
INA199B2-Q1	100 V/V	10 kΩ	1 MΩ
INA199C2-Q1			
INA199B3-Q1	200 V/V	5 kΩ	1 MΩ
INA199C3-Q1			

6 Pin Configuration and Functions

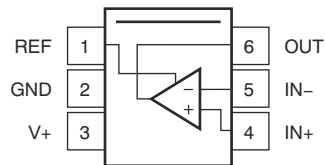


Figure 6-1. DCK Package 6-Pin SC70 Top View

Table 6-1. Pin Functions

PIN		I/O	DESCRIPTION
NAME	NO.		
GND	2	Analog	Ground
IN-	5	Analog input	Connect to load side of shunt resistor
IN+	4	Analog input	Connect to supply side of shunt resistor
OUT	6	Analog output	Output voltage
REF	1	Analog input	Reference voltage, 0 V to V+
V+	3	Analog	Power supply, 2.7 V to 26 V

7 Specifications

7.1 Absolute Maximum Ratings

over operating free-air temperature range (unless otherwise noted)⁽¹⁾

		MIN	MAX	UNIT
Supply voltage ⁽²⁾			28	V
Analog inputs, V_{IN+} , V_{IN-} ^{(2) (3)}	Differential (V_{IN+}) – (V_{IN-})	–28	28	V
	Common-mode	GND – 0.1	28	
REF input		GND – 0.3	(V+) + 0.3	V
Output		GND – 0.3	(V+) + 0.3	V
Temperature	Operating, T_A	–40	125	°C
	Junction, T_J		150	
	Storage, T_{stg}	–65	150	

- (1) Stresses beyond those listed under *Absolute Maximum Ratings* may cause permanent damage to the device. These are stress ratings only, which do not imply functional operation of the device at these or any other conditions beyond those indicated under *Recommended Operating Conditions*. Exposure to absolute-maximum-rated conditions for extended periods may affect device reliability.
- (2) Sustained operation between 26 V and 28 V for more than a few minutes may cause permanent damage to the device.
- (3) V_{IN+} and V_{IN-} are the voltages at the IN+ and IN– pins, respectively.

7.2 ESD Ratings

			VALUE	UNIT
$V_{(ESD)}$	Electrostatic discharge	Human-body model (HBM), per AEC Q100-002 ⁽¹⁾ HBM ESD classification level 2	±3500	V
		Charged-device model (CDM), per AEC Q100-002 CDM ESD classification level C6	±1000	

- (1) AEC Q100-002 indicates that HBM stressing shall be in accordance with the ANSI/ESDA/JEDEC JS-001 specification.

7.3 Recommended Operating Conditions

over operating free-air temperature range (unless otherwise noted)

		MIN	NOM	MAX	UNIT
V_{CM}	Common-mode input voltage		12		V
V_S	Operating supply voltage (applied to V+)	2.7	5	26	V
T_A	Operating free-air temperature	–40		125	°C

7.4 Thermal Information

THERMAL METRIC ⁽¹⁾		INA199-Q1	UNIT
		DCK (SC70)	
		6 PINS	
$R_{\theta JA}$	Junction-to-ambient thermal resistance	227.3	°C/W
$R_{\theta JC(top)}$	Junction-to-case (top) thermal resistance	79.5	°C/W
$R_{\theta JB}$	Junction-to-board thermal resistance	72.1	°C/W
Ψ_{JT}	Junction-to-top characterization parameter	3.6	°C/W
Ψ_{JB}	Junction-to-board characterization parameter	70.4	°C/W
$R_{\theta JC(bot)}$	Junction-to-case (bottom) thermal resistance	N/A	°C/W

- (1) For more information about traditional and new thermal metrics, see the [Semiconductor and IC Package Thermal Metrics application report](#).

7.5 Electrical Characteristics

at $T_A = 25^\circ\text{C}$, $V_S = 5\text{ V}$, $V_{IN+} = 12\text{ V}$, $V_{SENSE} = V_{IN+} - V_{IN-}$, and $V_{REF} = V_S / 2$ (unless otherwise noted)

PARAMETER		TEST CONDITIONS	MIN	TYP	MAX	UNIT
INPUT						
V_{CM}	Common-mode input voltage	$T_A = -40^\circ\text{C}$ to $+125^\circ\text{C}$	-0.1		26	V
CMR	Common-mode rejection	$V_{IN+} = 0\text{ V}$ to 26 V , $V_{SENSE} = 0\text{ mV}$, $T_A = -40^\circ\text{C}$ to $+125^\circ\text{C}$	100	120		dB
V_{OS}	Offset voltage, RTI ⁽¹⁾	$V_{SENSE} = 0\text{ mV}$		± 5	± 150	μV
dV_{OS}/dT	V_{OS} vs. temperature	$T_A = -40^\circ\text{C}$ to $+125^\circ\text{C}$		0.1	0.5	$\mu\text{V}/^\circ\text{C}$
PSR	Power-supply rejection	$V_S = 2.7\text{ V}$ to 18 V , $V_{IN+} = 18\text{ V}$, $V_{SENSE} = 0\text{ mV}$		± 0.1		$\mu\text{V}/\text{V}$
I_B	Input bias current	$V_{SENSE} = 0\text{ mV}$		28		μA
I_{OS}	Input offset current	$V_{SENSE} = 0\text{ mV}$		± 0.02		μA
OUTPUT						
G	Gain	INA199x1-Q1		50		V/V
		INA199x2-Q1		100		
		INA199x3-Q1		200		
	Gain error	$V_{SENSE} = -5\text{ mV}$ to 5 mV , $T_A = -40^\circ\text{C}$ to $+125^\circ\text{C}$	B version	$\pm 0.03\%$	$\pm 1.5\%$	
			C version	$\pm 0.03\%$	$\pm 1\%$	
	Gain error vs. temperature	$T_A = -40^\circ\text{C}$ to $+125^\circ\text{C}$		3	10	ppm/ $^\circ\text{C}$
	Nonlinearity error	$V_{SENSE} = -5\text{ mV}$ to $+5\text{ mV}$		$\pm 0.01\%$		
	Maximum capacitive load	No sustained oscillation		1		nF
VOLTAGE OUTPUT⁽²⁾						
	Swing to V+ power-supply rail	$R_L = 10\text{ k}\Omega$ to GND, $T_A = -40^\circ\text{C}$ to $+125^\circ\text{C}$		$(V+) - 0.05$	$(V+) - 0.2$	V
	Swing to GND	$R_L = 10\text{ k}\Omega$ to GND, $T_A = -40^\circ\text{C}$ to $+125^\circ\text{C}$		$(V_{GND}) + 0.005$	$(V_{GND}) + 0.05$	V
FREQUENCY RESPONSE						
GBW	Bandwidth	$C_{LOAD} = 10\text{ pF}$	INA199x1-Q1	80		kHz
			INA199x2-Q1	30		
			INA199x3-Q1	14		
SR	Slew rate			0.4		V/ μs
NOISE, RTI⁽¹⁾						
	Voltage noise density			25		nV/ $\sqrt{\text{Hz}}$
POWER SUPPLY						
I_Q	Quiescent current	$V_{SENSE} = 0\text{ mV}$		65	100	μA
	I_Q over temperature	$T_A = -40^\circ\text{C}$ to $+125^\circ\text{C}$			115	μA

(1) RTI = referred-to-input.

(2) See typical characteristic curve, *Output Voltage Swing vs. Output Current* (Figure 7-6).

7.6 Typical Characteristics

performance measured with the INA199B3-Q1 at $T_A = 25^\circ\text{C}$, $V_S = 5\text{ V}$, $V_{IN+} = 12\text{ V}$, and $V_{REF} = V_S / 2$ (unless otherwise noted)

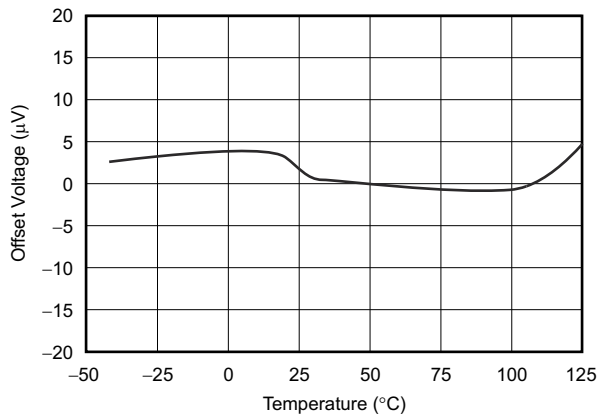


Figure 7-1. Offset Voltage vs. Temperature

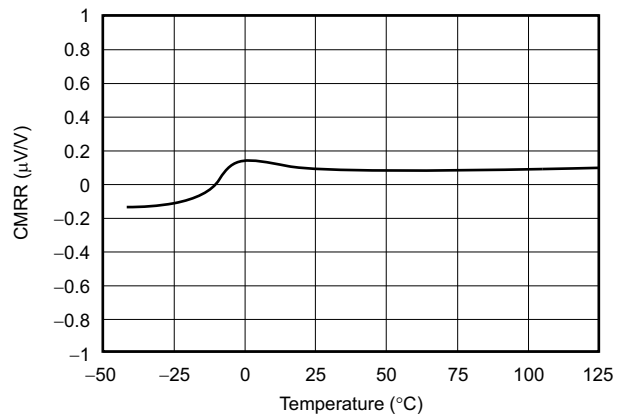
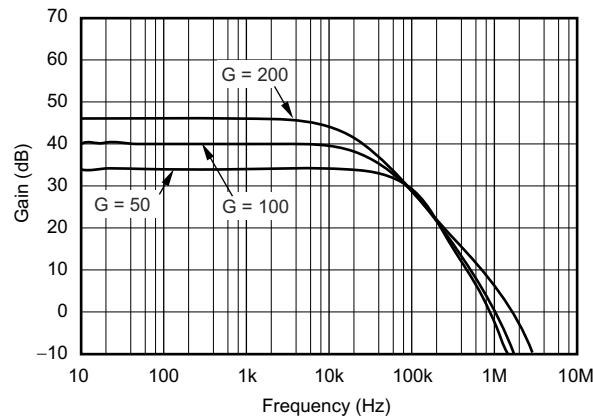
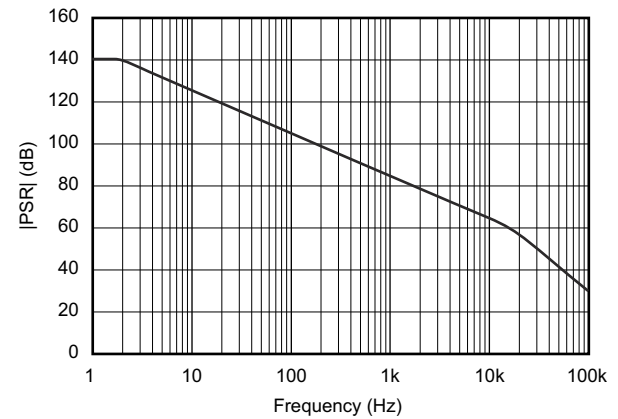


Figure 7-2. Common-Mode Rejection Ratio vs. Temperature



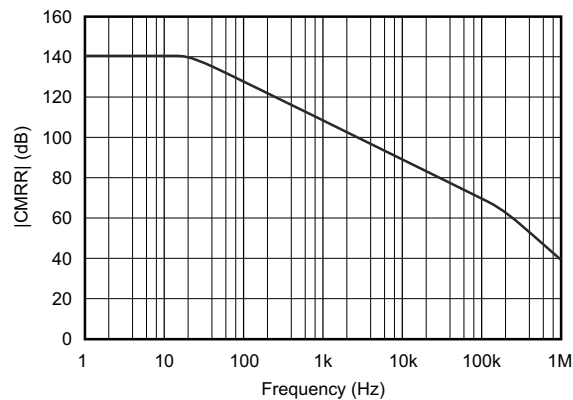
$V_{CM} = 0\text{ V}$, $V_{DIF} = 15\text{-mV}_{PP}$ sine

Figure 7-3. Gain vs. Frequency



$V_S = 5\text{ V} + 250\text{-mV}$ sine disturbance, $V_{CM} = 0\text{ V}$, $V_{DIF} =$ shorted, $V_{REF} = 2.5\text{ V}$

Figure 7-4. Power-Supply Rejection Ratio vs. Frequency



$V_S = 5\text{ V}$, $V_{CM} = 1\text{-V}$ sine, $V_{DIF} =$ shorted, $V_{REF} = 2.5\text{ V}$

Figure 7-5. Common-Mode Rejection Ratio vs. Frequency

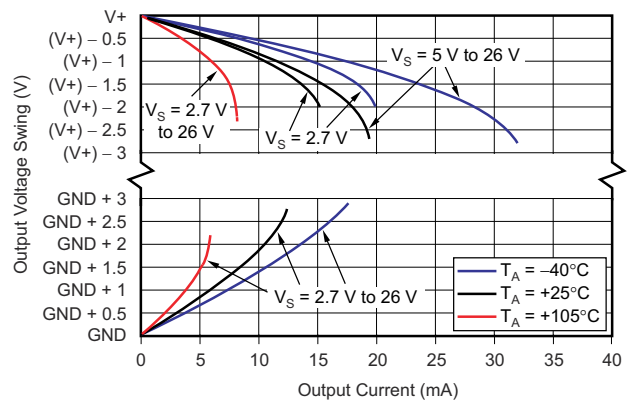


Figure 7-6. Output Voltage Swing vs. Output Current

7.6 Typical Characteristics (continued)

performance measured with the INA199B3-Q1 at $T_A = 25^\circ\text{C}$, $V_S = 5\text{ V}$, $V_{IN+} = 12\text{ V}$, and $V_{REF} = V_S / 2$ (unless otherwise noted)

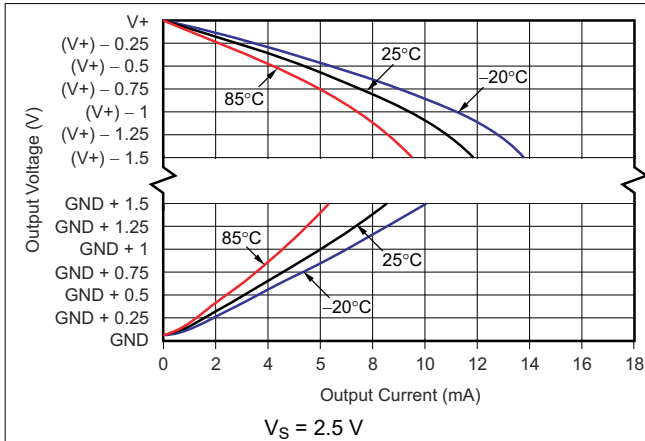


Figure 7-7. Output Voltage Swing vs. Output Current

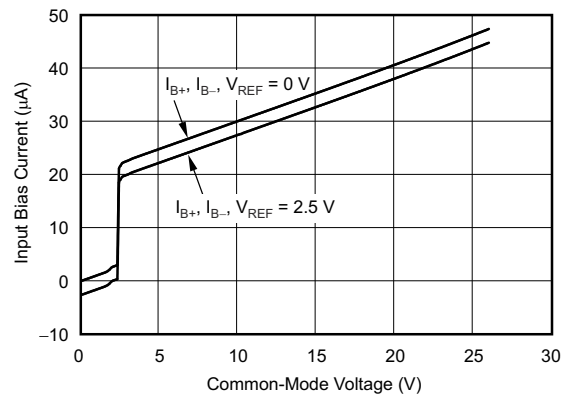


Figure 7-8. Input Bias Current vs. Common-Mode Voltage With Supply Voltage = 5 V

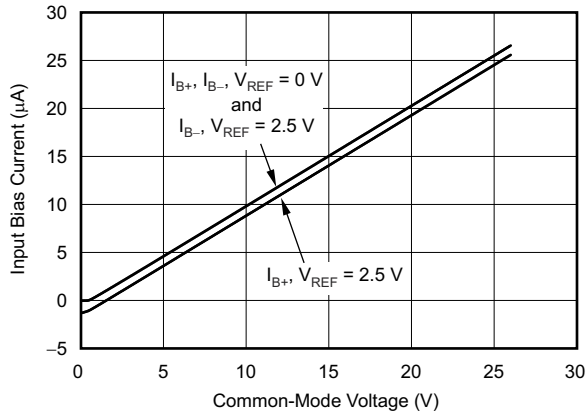


Figure 7-9. Input Bias Current vs. Common-Mode Voltage With Supply Voltage = 0 V (Shutdown)

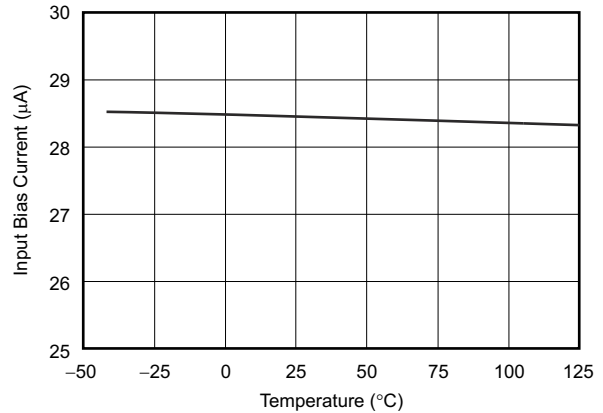


Figure 7-10. Input Bias Current vs. Temperature

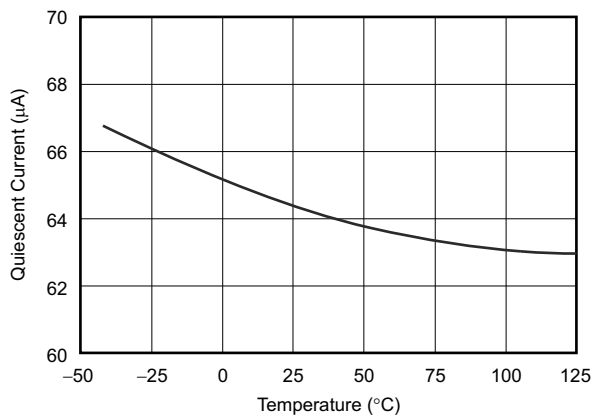


Figure 7-11. Quiescent Current vs. Temperature

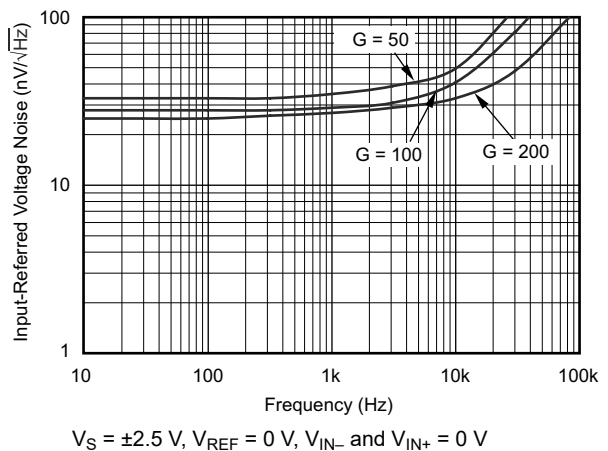


Figure 7-12. Input-Referred Voltage Noise vs. Frequency

7.6 Typical Characteristics (continued)

performance measured with the INA199B3-Q1 at $T_A = 25^\circ\text{C}$, $V_S = 5\text{ V}$, $V_{IN+} = 12\text{ V}$, and $V_{REF} = V_S / 2$ (unless otherwise noted)

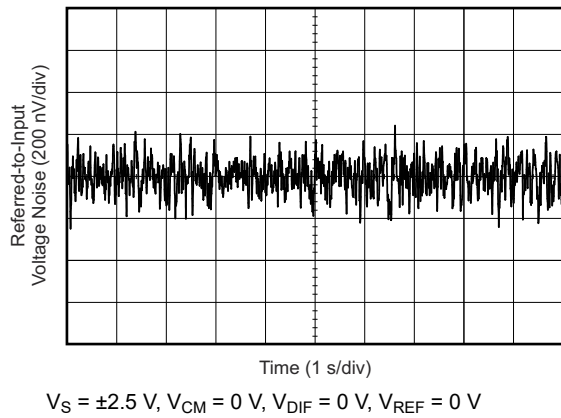


Figure 7-13. 0.1-Hz to 10-Hz Voltage Noise (Referred-to-Input)

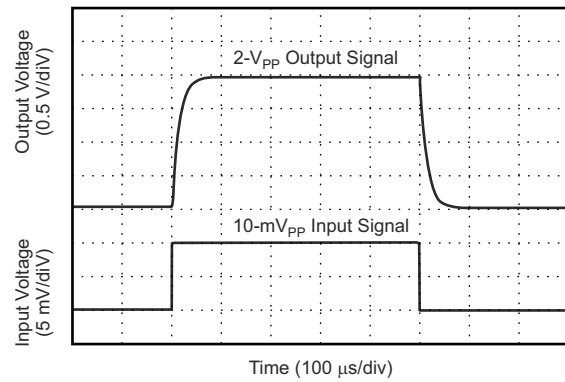


Figure 7-14. Step Response (10-mV_{PP} Input Step)

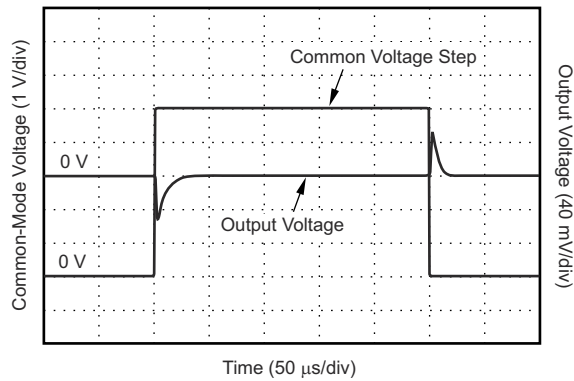
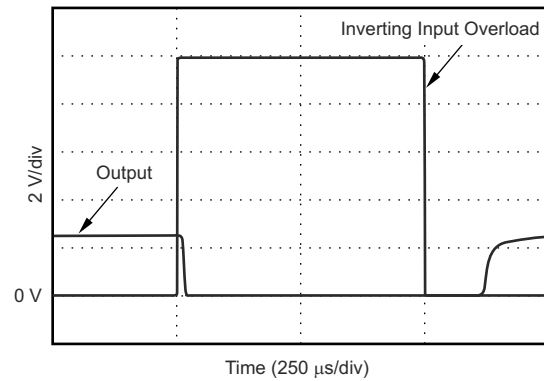
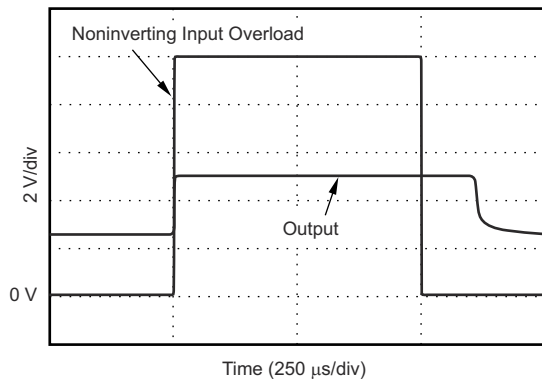


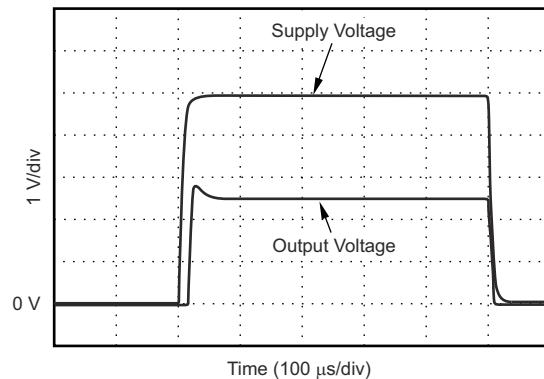
Figure 7-15. Common-Mode Voltage Transient Response



$V_S = 5\text{ V}$, $V_{CM} = 12\text{ V}$, $V_{REF} = 2.5\text{ V}$
Figure 7-16. Inverting Differential Input Overload



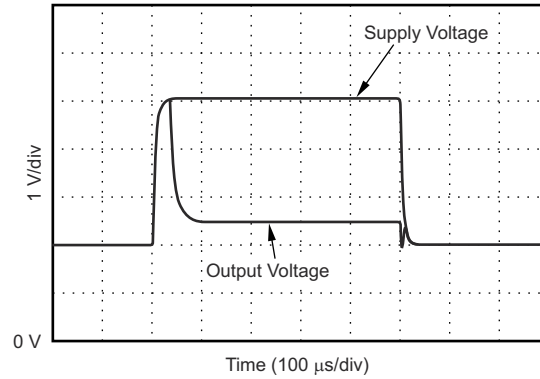
$V_S = 5\text{ V}$, $V_{CM} = 12\text{ V}$, $V_{REF} = 2.5\text{ V}$
Figure 7-17. Noninverting Differential Input Overload



$V_S = 5\text{ V}$, 1-kHz step with $V_{DIF} = 0\text{ V}$, $V_{REF} = 2.5\text{ V}$
Figure 7-18. Start-Up Response

7.6 Typical Characteristics (continued)

performance measured with the INA199B3-Q1 at $T_A = 25^\circ\text{C}$, $V_S = 5\text{ V}$, $V_{IN+} = 12\text{ V}$, and $V_{REF} = V_S / 2$ (unless otherwise noted)



$V_S = 5\text{ V}$, 1-kHz step with $V_{DIF} = 0\text{ V}$, $V_{REF} = 2.5\text{ V}$

Figure 7-19. Brownout Recovery

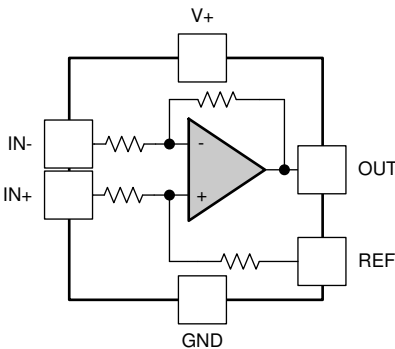
8 Detailed Description

8.1 Overview

The INA199-Q1 is a 26-V, common-mode, zero-drift topology, current-sensing amplifier that can be used in both low-side and high-side configurations. The device is a specially-designed, current-sensing amplifier that is able to accurately measure voltages developed across a current-sensing resistor on common-mode voltages that far exceed the supply voltage powering the device. Current can be measured on input voltage rails as high as 26 V and the device can be powered from supply voltages as low as 2.7 V.

The zero-drift topology enables high-precision measurements with maximum input offset voltages as low as 150 μV with a maximum temperature contribution of 0.5 $\mu\text{V}/^\circ\text{C}$ over the full temperature range of -40°C to $+125^\circ\text{C}$.

8.2 Functional Block Diagram



Copyright © 2016, Texas Instruments Incorporated

8.3 Feature Description

8.3.1 Zero-Drift Offset

The zero-drift offset performance of the INA199-Q1 offers several benefits. Most often, the primary advantage of the low offset characteristic enables lower full-scale drops across the shunt. For example, non-zero-drift current-shunt monitors typically require a full-scale range of 100 mV.

8.3.2 Accuracy

The INA199-Q1 series gives equivalent accuracy at a full-scale range on the order of 10 mV. This accuracy reduces shunt dissipation by an order of magnitude with many additional benefits.

8.3.3 Choice of Gain Options

The INA199-Q1 series provides three gain options: 50 V/V, 100 V/V, and 200 V/V. Some applications must measure current over a wide dynamic range that can take advantage of the low offset on the low end of the measurement. Most often, these applications use the lower gain of 50 V/V or 100 V/V to accommodate larger shunt drops on the upper end of the scale. For instance, the INA199B1-Q1 (with a factory-set gain of 50 V/V) operating on a 3.3-V supply can easily handle a full-scale shunt drop of 60 mV, with only 150 μV of offset. See the [Electrical Characteristics](#) for more information.

8.4 Device Functional Modes

The INA199-Q1 has a single functional mode and is operational when the power-supply voltage is greater than 2.7 V. The maximum power supply voltage for this device is 26 V.

9 Application and Implementation

Note

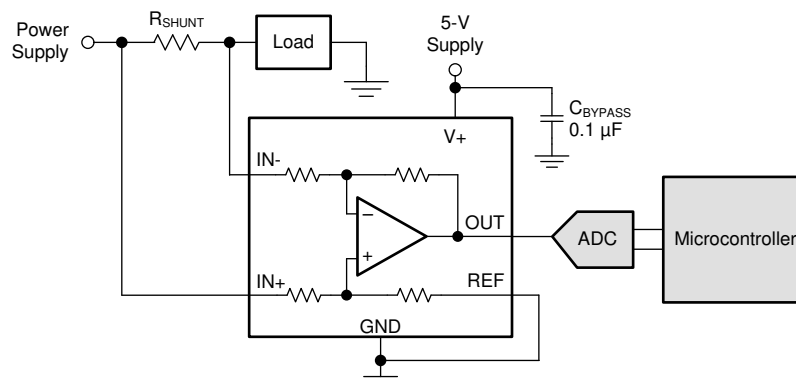
Information in the following applications sections is not part of the TI component specification, and TI does not warrant its accuracy or completeness. TI's customers are responsible for determining suitability of components for their purposes, as well as validating and testing their design implementation to confirm system functionality.

9.1 Application Information

The INA199-Q1 measures the voltage developed across a current-sensing resistor when current passes through it. The ability to drive the reference pin to adjust the functionality of the output signal offers multiple configurations, as discussed throughout this section.

9.1.1 Basic Connections

Figure 9-1 shows the basic connections for the INA199-Q1. The input pins, IN+ and IN–, must be connected as close as possible to the shunt resistor to minimize any resistance in series with the shunt resistor.



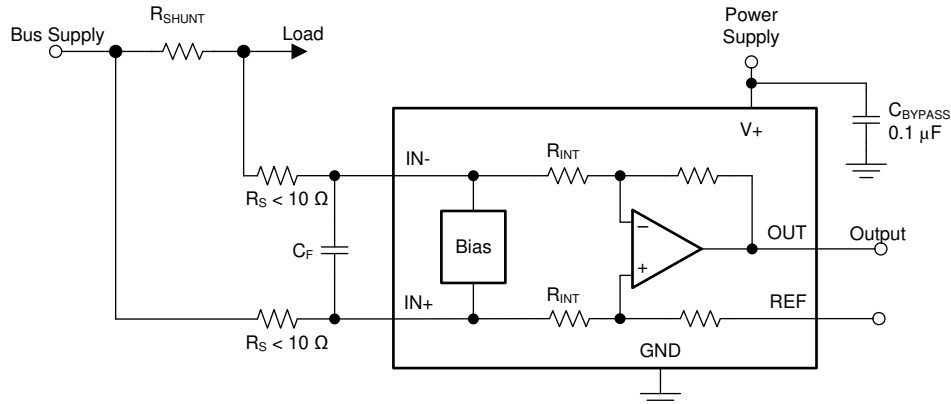
Copyright © 2016, Texas Instruments Incorporated

Figure 9-1. Typical Application

Power-supply bypass capacitors are required for stability. Applications with noisy or high-impedance power supplies may require additional decoupling capacitors to reject power-supply noise. Connect bypass capacitors close to the device pins.

9.1.2 Input Filtering

An obvious and straightforward filtering location is at the device output. However, this location negates the advantage of the low output impedance of the internal buffer. The only other filtering option is at the device input pins. This location, though, does require consideration of the $\pm 30\%$ tolerance of the internal resistances. [Figure 9-2](#) shows a filter placed at the inputs pins.



Copyright © 2016, Texas Instruments Incorporated

Figure 9-2. Filter at Input Pins

The addition of external series resistance, however, creates an additional error in the measurement so the value of these series resistors must be $10\ \Omega$ (or less if possible) to reduce any affect to accuracy. The internal bias network shown in [Figure 9-2](#) present at the input pins creates a mismatch in input bias currents when a differential voltage is applied between the input pins. If additional external series filter resistors are added to the circuit, the mismatch in bias currents results in a mismatch of voltage drops across the filter resistors. This mismatch creates a differential error voltage that subtracts from the voltage developed at the shunt resistor. This error results in a voltage at the device input pins that is different than the voltage developed across the shunt resistor. Without the additional series resistance, the mismatch in input bias currents has little effect on device operation. The amount of error these external filter resistor add to the measurement can be calculated using [Equation 1](#), where the gain error factor is calculated using [Equation 2](#).

$$\text{Gain Error (\%)} = 100 - (100 \times \text{Gain Error Factor}) \quad (1)$$

$$\text{Gain Error Factor} = \frac{(1250 \times R_{\text{INT}})}{(1250 \times R_{\text{S}}) + (1250 \times R_{\text{INT}}) + (R_{\text{S}} \times R_{\text{INT}})} \quad (2)$$

where:

- R_{INT} is the internal input resistor (R_3 and R_4) and
- R_{S} is the external series resistance

The amount of variance in the differential voltage present at the device input relative to the voltage developed at the shunt resistor is based on both the external series resistance value and the internal input resistors, R_3 and R_4 (or R_{INT} , as shown in [Figure 9-2](#)). The reduction of the shunt voltage reaching the device input pins appears as a gain error when comparing the output voltage relative to the voltage across the shunt resistor. A factor can be calculated to determine the amount of gain error that is introduced by the addition of external series resistance. The equation used to calculate the expected deviation from the shunt voltage to what is measured at the device input pins is given in [Equation 2](#).

With the adjustment factor equation including the device internal input resistance, this factor varies with each gain version, as listed in [Table 9-1](#). Each individual device gain error factor is listed in [Table 9-2](#).

Table 9-1. Input Resistance

PRODUCT	GAIN (V/V)	R _{INT} (kΩ)
INA199B1-Q1	50	20
INA199C1-Q1		
INA199B2-Q1	100	10
INA199C2-Q1		
INA199B3-Q1	200	5
INA199C3-Q1		

Table 9-2. Device Gain Error Factor

PRODUCT	SIMPLIFIED GAIN ERROR FACTOR
INA199B1-Q1	$\frac{20,000}{(17 \times R_S) + 20,000}$
INA199C1-Q1	
INA199B2-Q1	$\frac{10,000}{(9 \times R_S) + 10,000}$
INA199C2-Q1	
INA199B3-Q1	$\frac{1000}{R_S + 1000}$
INA199C3-Q1	

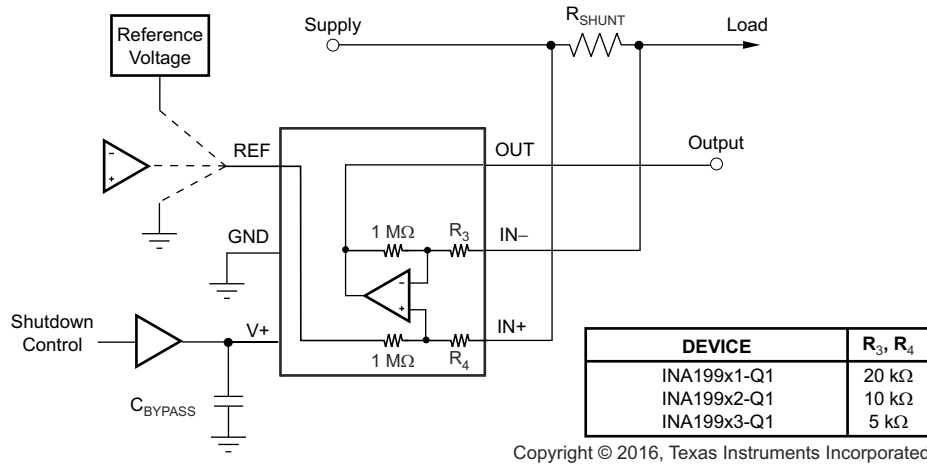
The gain error that can be expected from the addition of the external series resistors can then be calculated based on [Equation 1](#).

For example, when using an INA199B2-Q1 and the corresponding gain error equation from [Table 9-2](#), a series resistance of 10-Ω results in a gain error factor of 0.991. The corresponding gain error is then calculated using [Equation 1](#), resulting in a gain error of approximately 0.89% solely because of the external 10-Ω series resistors. Using an INA199B1-Q1 with the same 10-Ω series resistor results in a gain error factor of 0.991 and a gain error of 0.84% again solely because of these external resistors.

9.1.3 Shutting Down the INA199-Q1

Although the INA199-Q1 series does not have a shutdown pin, the low power consumption of the device allows the output of a logic gate or transistor switch to power the INA199-Q1. This gate or switch turns on and turns off the INA199-Q1 power-supply quiescent current.

However, in current-shunt monitoring applications, there is also a concern for how much current is drained from the shunt circuit in shutdown conditions. Evaluating this current drain involves considering the simplified schematic of the INA199-Q1 in shutdown mode as shown in Figure 9-3.



Copyright © 2016, Texas Instruments Incorporated

1-MΩ paths from shunt inputs to the reference and the INA199-Q1 outputs.

Figure 9-3. Basic Circuit for Shutting Down the INA199-Q1 With a Grounded Reference

There is typically slightly more than a 1-MΩ impedance (from the combination of the 1-MΩ feedback and 5-kΩ input resistors) from each input of the INA199-Q1 to the OUT pin and to the REF pin. The amount of current flowing through these pins depends on the respective ultimate connection. For example, if the REF pin is grounded, the calculation of the effect of the 1-MΩ impedance from the shunt to ground is straightforward. However, if the reference or operational amplifier is powered when the INA199-Q1 is shut down, then the calculation is direct; instead of assuming a 1-MΩ impedance to ground, assume a 1-MΩ impedance to the reference voltage. If the reference or operational amplifier is also shut down, some knowledge of the reference or operational amplifier output impedance under shutdown conditions is required. For instance, if the reference source functions as an open circuit when not powered, little or no current flows through the 1-MΩ path.

Regarding the 1-MΩ path to the output pin, the output stage of a disabled INA199-Q1 does constitute a good path to ground. Consequently, this current is directly proportional to a shunt common-mode voltage applied across a 1-MΩ resistor.

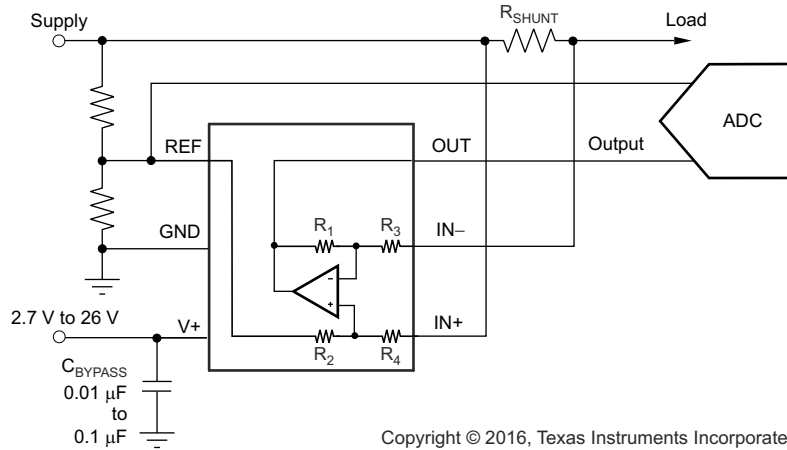
Note

When the device is powered up, an additional, nearly constant, and well-matched 25 μA of current flows in each of the inputs as long as the shunt common-mode voltage is 3 V or higher. Below 2-V common-mode, the resulting 1-MΩ resistors are the only effects from this current.

9.1.4 REF Input Impedance Effects

As with any difference amplifier, the INA199-Q1 series common-mode rejection ratio is affected by any impedance present at the REF input. This concern is not a problem when the REF pin is connected directly to most references or power supplies. When using resistive dividers from the power supply or a reference voltage, the REF pin must be buffered by an operational amplifier.

In systems where the INA199-Q1 output can be sensed differentially, such as by a differential input analog-to-digital converter (ADC) or by using two separate ADC inputs, the effects of the external impedance on the REF input can be cancelled. [Figure 9-4](#) shows a method of capturing the output from the INA199-Q1 by using the REF pin as a reference.



Copyright © 2016, Texas Instruments Incorporated

Figure 9-4. Sensing the INA199-Q1 to Cancel Effects of Impedance on the REF Input

9.1.5 Using the INA199-Q1 With Common-Mode Transients Above 26 V

With a small amount of additional circuitry, the INA199-Q1 series can be used in circuits subject to transients higher than 26 V, such as automotive applications. Use only zener diodes or zener-type transient absorbers (sometimes referred to as *transzorbs*); any other type of transient absorber has an unacceptable time delay. Start by adding a pair of resistors (as shown in [Figure 9-5](#)) as a working impedance for the zener. Keeping these resistors as small as possible is preferable, most often approximately 10 Ω. Larger values can be used with an affect on gain as discussed in the [Input Filtering](#) section. Many applications are satisfied with a 10-Ω resistor along with conventional zener diodes of the lowest power rating that can be found because this circuit limits only short-term transients. This combination uses the least amount of board space. These diodes can be found in packages as small as SOT-523 or SOD-523. See the [TIDA-00302 Transient Robustness for Current Shunt Monitor TI design](#) (TIDU473) for more information on transient robustness and current-shunt monitor input protection.

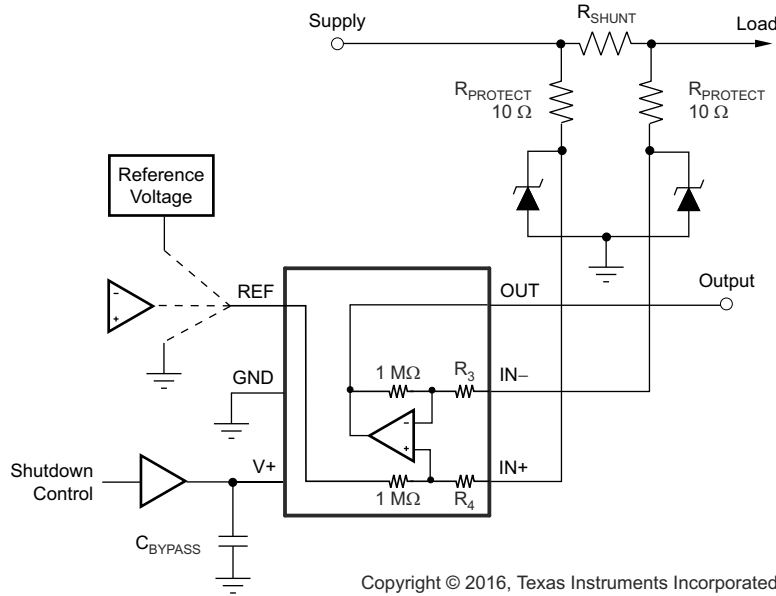


Figure 9-5. INA199-Q1 Transient Protection Using Dual Zener Diodes

In the event that low-power zeners do not have sufficient transient absorption capability and a higher power transzorb must be used, the most package-efficient solution then involves using a single transzorb and back-to-back diodes between the device inputs. The most space-efficient solutions are dual series-connected diodes in a single SOT-523 or SOD-523 package. This method is illustrated in Figure 9-6. In either of these examples, the total board area required by the INA199-Q1 with all protective components is less than that of an 8-pin SOIC package, and only slightly greater than that of an 8-pin VSSOP package.

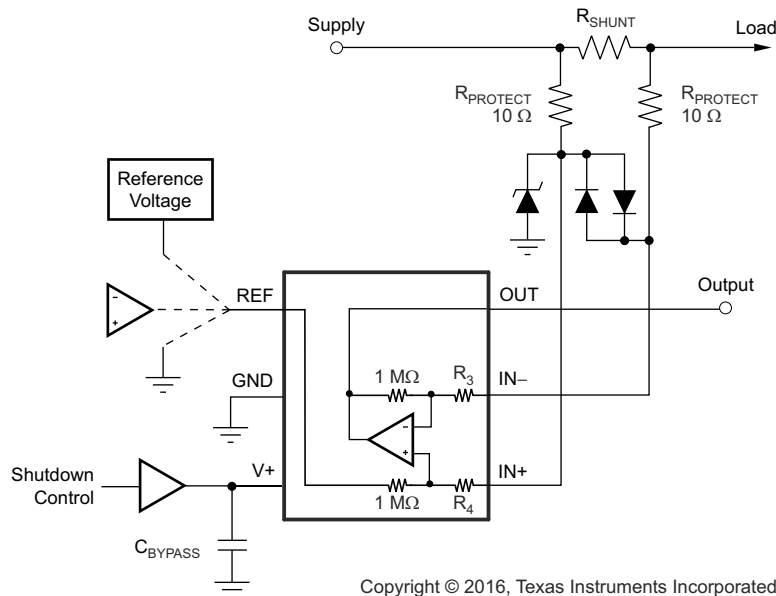
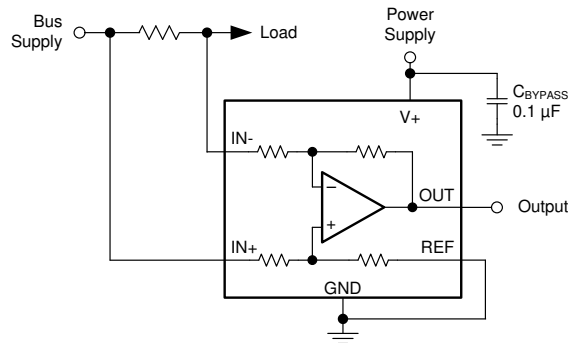


Figure 9-6. INA199-Q1 Transient Protection Using a Single Transzorb and Input Clamps

9.2 Typical Applications

9.2.1 Unidirectional Operation



Copyright © 2016, Texas Instruments Incorporated

Figure 9-7. Unidirectional Application Schematic

9.2.1.1 Design Requirements

The device can be configured to monitor current flowing in one direction (unidirectional) or in both directions (bidirectional), depending on how the REF pin is configured. The most common case is unidirectional where the output is set to ground when current is not flowing by connecting the REF pin to ground; see [Figure 9-7](#). When the input signal increases, the output voltage at the OUT pin increases.

9.2.1.2 Detailed Design Procedure

The linear range of the output stage is limited in how close the output voltage can approach ground under zero input conditions. In unidirectional applications where measuring very low input currents is desirable, bias the REF pin to a convenient value above 50 mV to get the output into the linear range of the device. To limit common-mode rejection errors, buffering the reference voltage connected to the REF pin is recommended.

A less frequently-used output biasing method is to connect the REF pin to the supply voltage, V+. This method results in the output voltage saturating at 200 mV below the supply voltage when a differential input signal is not present. This method is similar to the output-saturated low condition without an input signal when the REF pin is connected to ground. The output voltage in this configuration only responds to negative currents that develop negative differential input voltage relative to the device IN– pin. Under these conditions, when the differential input signal increases negatively, the output voltage moves downward from the saturated supply voltage. The voltage applied to the REF pin must not exceed the device supply voltage.

9.2.1.3 Application Curve

An example output response of a unidirectional configuration is shown in [Figure 9-8](#). With the REF pin connected directly to ground, the output voltage is biased to this zero output level. The output rises above the reference voltage for positive differential input signals but cannot fall below the reference voltage for negative differential input signals because of the grounded reference voltage.

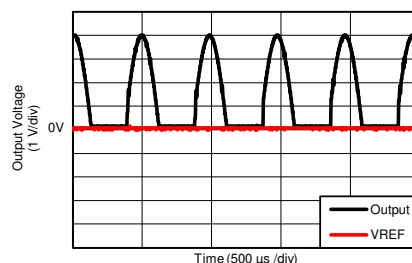


Figure 9-8. Unidirectional Application Output Response

9.2.2 Bidirectional Operation

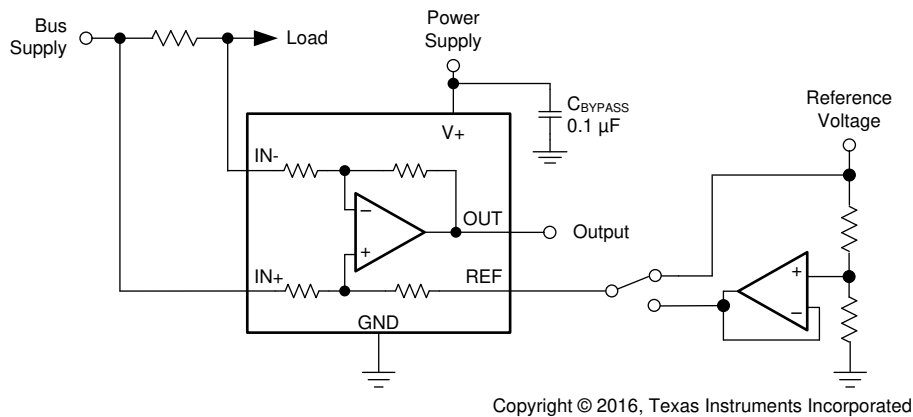


Figure 9-9. Bidirectional Application Schematic

9.2.2.1 Design Requirements

The device is a bidirectional, current-sense amplifier capable of measuring currents through a resistive shunt in two directions. This bidirectional monitoring is common in applications that include charging and discharging operations where the current flow-through resistor can change directions.

9.2.2.2 Detailed Design Procedure

The ability to measure this current flowing in both directions is enabled by applying a voltage on the REF pin, as shown in Figure 9-9. The voltage applied to REF (V_{REF}) sets the output state that corresponds to the zero-input level state. The output then responds by rising above V_{REF} for positive differential signals (relative to the IN– pin) and falling below V_{REF} for negative differential signals. This reference voltage applied to the REF pin can be set anywhere between 0 V to V_+ . For bidirectional applications, V_{REF} is typically set at mid-scale for an equal signal range in both current directions. In some cases, however, V_{REF} is set at a voltage other than mid-scale when the bidirectional current and corresponding output signal do not need to be symmetrical.

9.2.2.3 Application Curve

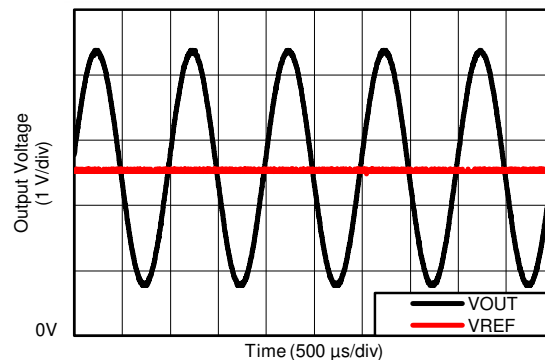


Figure 9-10. Bidirectional Application Output Response

10 Power Supply Recommendations

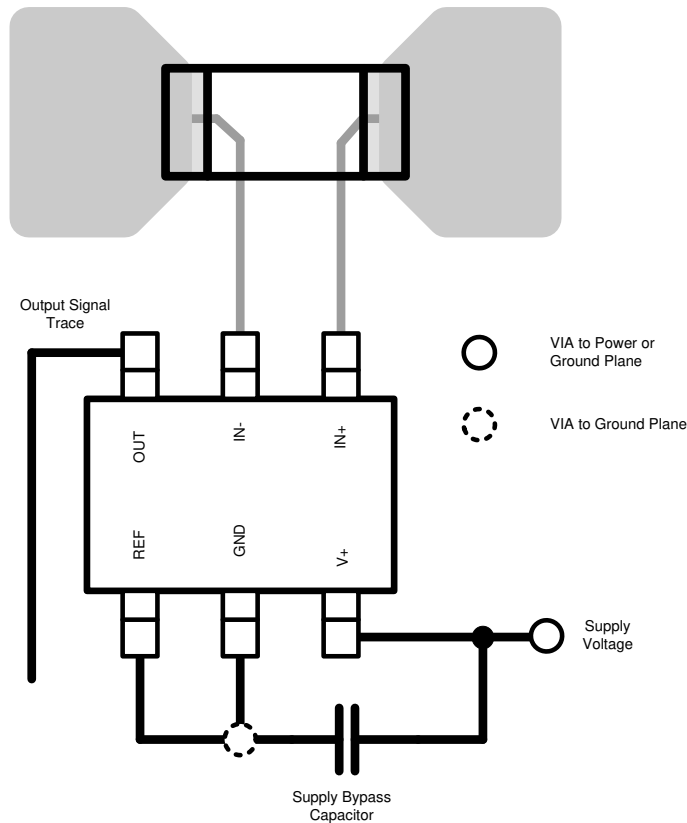
The input circuitry of the INA199-Q1 can accurately measure beyond its power-supply voltage, $V+$. For example, the $V+$ power supply can be 5 V, whereas the load power-supply voltage can be as high as 26 V. However, the output voltage range of the OUT pin is limited by the voltages on the power-supply pin. Furthermore, the INA199-Q1 can withstand the full input signal range up to the 26-V range in the input pins, regardless of whether the device has power applied or not.

11 Layout

11.1 Layout Guidelines

- Connect the input pins to the sensing resistor using a kelvin or 4-wire connection. This connection technique makes certain that only the current-sensing resistor impedance is detected between the input pins. Poor routing of the current-sensing resistor commonly results in additional resistance present between the input pins. Given the very low ohmic value of the current resistor, any additional high-current carrying impedance can cause significant measurement errors.
- Place the power-supply bypass capacitor as close as possible to the supply and ground pins. Using a bypass capacitor with a value of 0.1 μF is recommended. Additional decoupling capacitance can be added to compensate for noisy or high-impedance power supplies.

11.2 Layout Example



Copyright © 2017, Texas Instruments Incorporated

Figure 11-1. Recommended Layout

12 Device and Documentation Support

12.1 Documentation Support

12.1.1 Related Documentation

For related documentation see the following:

- Texas Instruments, [INA199B1-B3EVM user's guide](#)
- Texas Instruments, [TIDA-00302 Transient Robustness for Current Shunt Monitor TI design](#)

12.2 Receiving Notification of Documentation Updates

To receive notification of documentation updates, navigate to the device product folder on ti.com. Click on *Subscribe to updates* to register and receive a weekly digest of any product information that has changed. For change details, review the revision history included in any revised document.

12.3 Support Resources

[TI E2E™ support forums](#) are an engineer's go-to source for fast, verified answers and design help — straight from the experts. Search existing answers or ask your own question to get the quick design help you need.

Linked content is provided "AS IS" by the respective contributors. They do not constitute TI specifications and do not necessarily reflect TI's views; see TI's [Terms of Use](#).

12.4 Trademarks

TI E2E™ is a trademark of Texas Instruments.

All trademarks are the property of their respective owners.

12.5 Electrostatic Discharge Caution



This integrated circuit can be damaged by ESD. Texas Instruments recommends that all integrated circuits be handled with appropriate precautions. Failure to observe proper handling and installation procedures can cause damage.

ESD damage can range from subtle performance degradation to complete device failure. Precision integrated circuits may be more susceptible to damage because very small parametric changes could cause the device not to meet its published specifications.

12.6 Glossary

[TI Glossary](#) This glossary lists and explains terms, acronyms, and definitions.

13 Mechanical, Packaging, and Orderable Information

The following pages include mechanical, packaging, and orderable information. This information is the most current data available for the designated devices. This data is subject to change without notice and revision of this document. For browser-based versions of this data sheet, refer to the left-hand navigation.

PACKAGING INFORMATION

Orderable Device	Status (1)	Package Type	Package Drawing	Pins	Package Qty	Eco Plan (2)	Lead finish/ Ball material (6)	MSL Peak Temp (3)	Op Temp (°C)	Device Marking (4/5)	Samples
INA199B1QDCKRQ1	ACTIVE	SC70	DCK	6	3000	RoHS & Green	NIPDAU	Level-2-260C-1 YEAR	-40 to 125	13C	Samples
INA199B2QDCKRQ1	ACTIVE	SC70	DCK	6	3000	RoHS & Green	NIPDAU	Level-2-260C-1 YEAR	-40 to 125	13D	Samples
INA199B3QDCKRQ1	ACTIVE	SC70	DCK	6	3000	RoHS & Green	NIPDAU	Level-2-260C-1 YEAR	-40 to 125	13E	Samples
INA199C1QDCKRQ1	ACTIVE	SC70	DCK	6	3000	RoHS & Green	NIPDAU	Level-2-260C-1 YEAR	-40 to 125	17A	Samples
INA199C2QDCKRQ1	ACTIVE	SC70	DCK	6	3000	RoHS & Green	NIPDAU	Level-2-260C-1 YEAR	-40 to 125	17B	Samples
INA199C3QDCKRQ1	ACTIVE	SC70	DCK	6	3000	RoHS & Green	NIPDAU	Level-2-260C-1 YEAR	-40 to 125	17C	Samples

(1) The marketing status values are defined as follows:

ACTIVE: Product device recommended for new designs.

LIFEBUY: TI has announced that the device will be discontinued, and a lifetime-buy period is in effect.

NRND: Not recommended for new designs. Device is in production to support existing customers, but TI does not recommend using this part in a new design.

PREVIEW: Device has been announced but is not in production. Samples may or may not be available.

OBSOLETE: TI has discontinued the production of the device.

(2) **RoHS:** TI defines "RoHS" to mean semiconductor products that are compliant with the current EU RoHS requirements for all 10 RoHS substances, including the requirement that RoHS substance do not exceed 0.1% by weight in homogeneous materials. Where designed to be soldered at high temperatures, "RoHS" products are suitable for use in specified lead-free processes. TI may reference these types of products as "Pb-Free".

RoHS Exempt: TI defines "RoHS Exempt" to mean products that contain lead but are compliant with EU RoHS pursuant to a specific EU RoHS exemption.

Green: TI defines "Green" to mean the content of Chlorine (Cl) and Bromine (Br) based flame retardants meet JS709B low halogen requirements of <=1000ppm threshold. Antimony trioxide based flame retardants must also meet the <=1000ppm threshold requirement.

(3) MSL, Peak Temp. - The Moisture Sensitivity Level rating according to the JEDEC industry standard classifications, and peak solder temperature.

(4) There may be additional marking, which relates to the logo, the lot trace code information, or the environmental category on the device.

(5) Multiple Device Markings will be inside parentheses. Only one Device Marking contained in parentheses and separated by a "~" will appear on a device. If a line is indented then it is a continuation of the previous line and the two combined represent the entire Device Marking for that device.

(6) Lead finish/Ball material - Orderable Devices may have multiple material finish options. Finish options are separated by a vertical ruled line. Lead finish/Ball material values may wrap to two lines if the finish value exceeds the maximum column width.

Important Information and Disclaimer: The information provided on this page represents TI's knowledge and belief as of the date that it is provided. TI bases its knowledge and belief on information provided by third parties, and makes no representation or warranty as to the accuracy of such information. Efforts are underway to better integrate information from third parties. TI has taken and continues to take reasonable steps to provide representative and accurate information but may not have conducted destructive testing or chemical analysis on incoming materials and chemicals. TI and TI suppliers consider certain information to be proprietary, and thus CAS numbers and other limited information may not be available for release.

In no event shall TI's liability arising out of such information exceed the total purchase price of the TI part(s) at issue in this document sold by TI to Customer on an annual basis.

OTHER QUALIFIED VERSIONS OF INA199-Q1 :

- Catalog : [INA199](#)

NOTE: Qualified Version Definitions:

- Catalog - TI's standard catalog product

TAPE AND REEL INFORMATION

QUADRANT ASSIGNMENTS FOR PIN 1 ORIENTATION IN TAPE


*All dimensions are nominal

Device	Package Type	Package Drawing	Pins	SPQ	Reel Diameter (mm)	Reel Width W1 (mm)	A0 (mm)	B0 (mm)	K0 (mm)	P1 (mm)	W (mm)	Pin1 Quadrant
INA199B1QDCKRQ1	SC70	DCK	6	3000	178.0	9.0	2.4	2.5	1.2	4.0	8.0	Q3
INA199B2QDCKRQ1	SC70	DCK	6	3000	178.0	9.0	2.4	2.5	1.2	4.0	8.0	Q3
INA199B3QDCKRQ1	SC70	DCK	6	3000	178.0	9.0	2.4	2.5	1.2	4.0	8.0	Q3
INA199C1QDCKRQ1	SC70	DCK	6	3000	178.0	9.0	2.4	2.5	1.2	4.0	8.0	Q3
INA199C2QDCKRQ1	SC70	DCK	6	3000	178.0	9.0	2.4	2.5	1.2	4.0	8.0	Q3
INA199C3QDCKRQ1	SC70	DCK	6	3000	178.0	9.0	2.4	2.5	1.2	4.0	8.0	Q3

TAPE AND REEL BOX DIMENSIONS


*All dimensions are nominal

Device	Package Type	Package Drawing	Pins	SPQ	Length (mm)	Width (mm)	Height (mm)
INA199B1QDCKRQ1	SC70	DCK	6	3000	180.0	180.0	18.0
INA199B2QDCKRQ1	SC70	DCK	6	3000	180.0	180.0	18.0
INA199B3QDCKRQ1	SC70	DCK	6	3000	180.0	180.0	18.0
INA199C1QDCKRQ1	SC70	DCK	6	3000	180.0	180.0	18.0
INA199C2QDCKRQ1	SC70	DCK	6	3000	180.0	180.0	18.0
INA199C3QDCKRQ1	SC70	DCK	6	3000	180.0	180.0	18.0

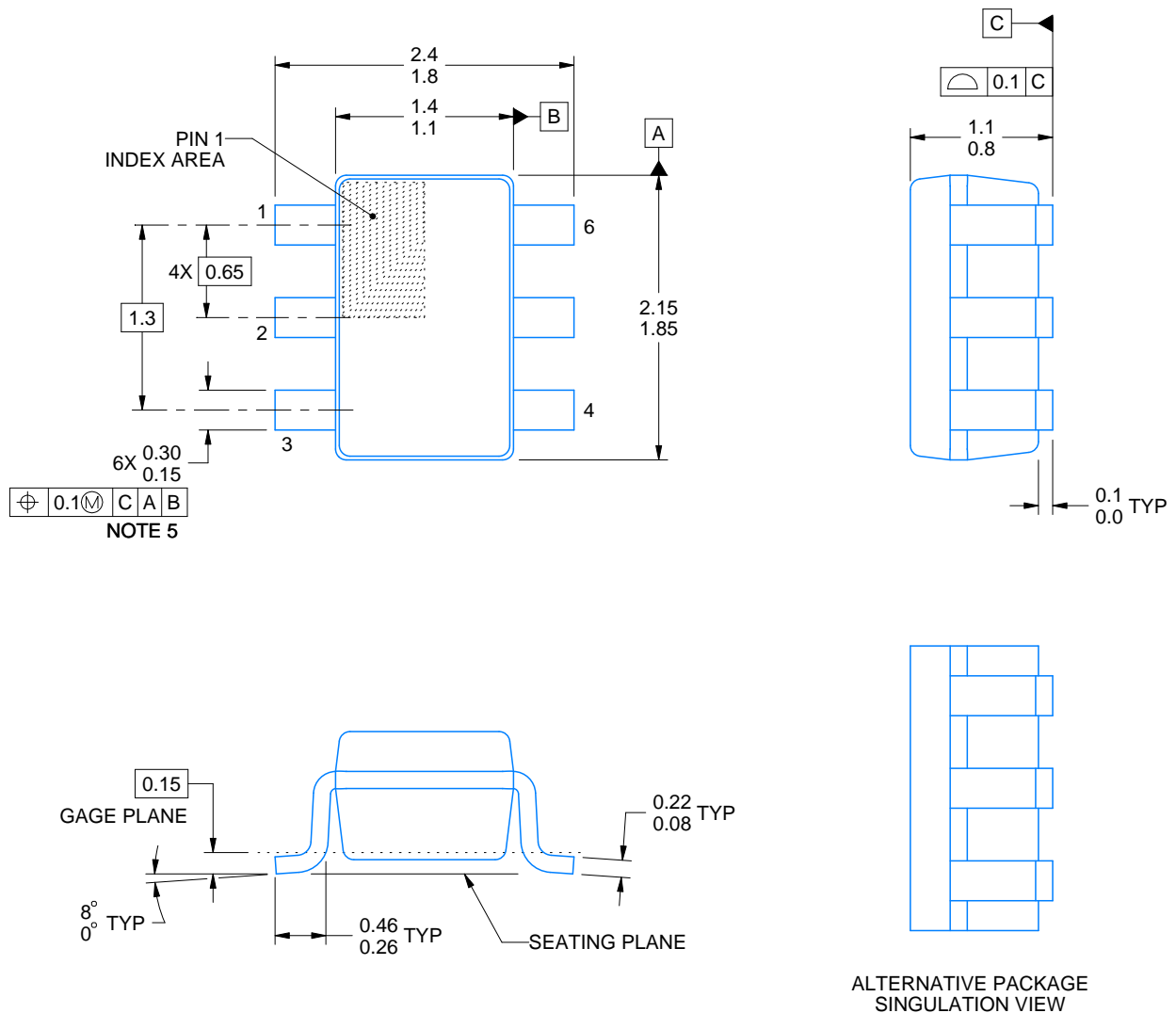
DCK0006A



PACKAGE OUTLINE

SOT - 1.1 max height

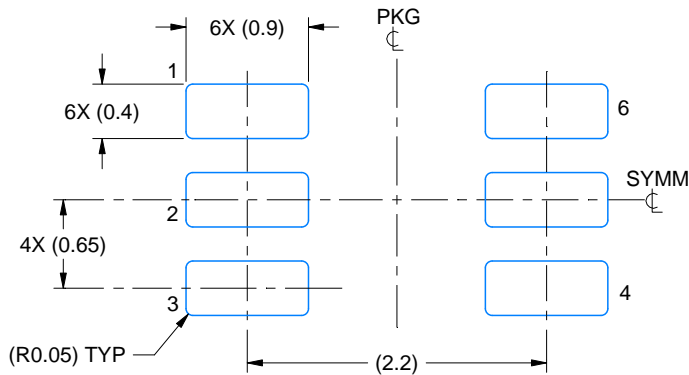
SMALL OUTLINE TRANSISTOR



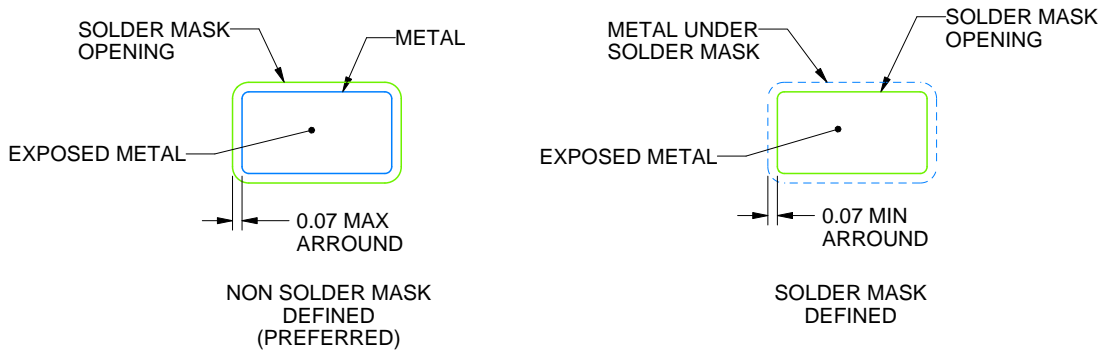
4214835/B 04/2024

NOTES:

1. All linear dimensions are in millimeters. Any dimensions in parenthesis are for reference only. Dimensioning and tolerancing per ASME Y14.5M.
2. This drawing is subject to change without notice.
3. Body dimensions do not include mold flash or protrusion. Mold flash and protrusion shall not exceed 0.15 per side.
4. Falls within JEDEC MO-203 variation AB.



LAND PATTERN EXAMPLE
EXPOSED METAL SHOWN
SCALE:18X



SOLDER MASK DETAILS

4214835/B 04/2024

NOTES: (continued)

- 5. Publication IPC-7351 may have alternate designs.
- 6. Solder mask tolerances between and around signal pads can vary based on board fabrication site.



SOLDER PASTE EXAMPLE
BASED ON 0.125 THICK STENCIL
SCALE:18X

4214835/B 04/2024

NOTES: (continued)

7. Laser cutting apertures with trapezoidal walls and rounded corners may offer better paste release. IPC-7525 may have alternate design recommendations.
8. Board assembly site may have different recommendations for stencil design.

IMPORTANT NOTICE AND DISCLAIMER

TI PROVIDES TECHNICAL AND RELIABILITY DATA (INCLUDING DATA SHEETS), DESIGN RESOURCES (INCLUDING REFERENCE DESIGNS), APPLICATION OR OTHER DESIGN ADVICE, WEB TOOLS, SAFETY INFORMATION, AND OTHER RESOURCES "AS IS" AND WITH ALL FAULTS, AND DISCLAIMS ALL WARRANTIES, EXPRESS AND IMPLIED, INCLUDING WITHOUT LIMITATION ANY IMPLIED WARRANTIES OF MERCHANTABILITY, FITNESS FOR A PARTICULAR PURPOSE OR NON-INFRINGEMENT OF THIRD PARTY INTELLECTUAL PROPERTY RIGHTS.

These resources are intended for skilled developers designing with TI products. You are solely responsible for (1) selecting the appropriate TI products for your application, (2) designing, validating and testing your application, and (3) ensuring your application meets applicable standards, and any other safety, security, regulatory or other requirements.

These resources are subject to change without notice. TI grants you permission to use these resources only for development of an application that uses the TI products described in the resource. Other reproduction and display of these resources is prohibited. No license is granted to any other TI intellectual property right or to any third party intellectual property right. TI disclaims responsibility for, and you will fully indemnify TI and its representatives against, any claims, damages, costs, losses, and liabilities arising out of your use of these resources.

TI's products are provided subject to [TI's Terms of Sale](#) or other applicable terms available either on [ti.com](https://www.ti.com) or provided in conjunction with such TI products. TI's provision of these resources does not expand or otherwise alter TI's applicable warranties or warranty disclaimers for TI products.

TI objects to and rejects any additional or different terms you may have proposed.

Mailing Address: Texas Instruments, Post Office Box 655303, Dallas, Texas 75265
Copyright © 2024, Texas Instruments Incorporated