

# PGA900 as a 4- to 20-mA Current Loop Transmitter

*Miro Oljaca, Tim Green, Collin Wells*
*Enhanced Industrial and Precision Analog*

## ABSTRACT

This application note shows the PGA900 used as a 2-wire, 4- to 20-mA current loop transmitter, a common method of transmitting sensor information in industrial process-monitoring applications. Transmitting sensor information (physical parameter measurements) through a current loop is particularly useful when the information must be sent to a remote location over long distances (1000 feet or more).

This note describes the configuration of the PGA900 as a loop-powered, 2-wire, 4- to 20-mA transmitter and analyzes the performance. The designer must first determine the minimum available transmitter voltage. With this information, the designer can select the operating Q-point, then an emitter resistor. The added emitter resistor minimizes the impact of the loop components' variation and provides adequate gain of the control loop. This leads to a lower closed-loop frequency and better phase margin.

## Contents

1	Introduction .....	2
2	PGA900 DAC Current Loop DC Characteristics .....	3
3	DC Input/Output Transfer Function.....	4
4	AC Characteristics .....	5
	4.1 Simulated Results .....	7
	4.2 Measured Results .....	8
5	Recommendations from the Analysis .....	8
6	Conclusion .....	8
7	References .....	9

## List of Figures

1	Loop-Powered PGA900 Transmitter .....	3
2	PGA900 DAC Transfer Function.....	4
3	Small-Signal Hybrid- $\pi$ Model of BJT and PGA900.....	5
4	BCP56-16 DC Load Line for the Common Collector Circuit Used for 4- to 20-mA Transmitter.....	6
5	Gain and Phase of the PGA900 Current Loop Transmitter With $R_E = 150 \Omega$ .....	6
6	System Overshoot vs Phase Margin .....	6
7	Small-Signal Response of the PGA900 Current Loop Transmitter With $R_E = 150 \Omega$ .....	7
8	Large-Signal Response of the PGA900 Current Loop Transmitter With $R_E = 150 \Omega$ .....	7
9	Large-Signal Step Response, 4- to 20-mA Measured at $R_S$ .....	8

## 1 Introduction

In a 2-wire, 4- to 20-mA transmitter, a sensor measures physical parameters such as temperature, pressure, speed, liquid flow rates, and so forth. Transmitting the sensor information over a current loop is particularly useful when the information must be sent to a remote location over long distances (1000 feet or more).

The current loop's operation is straightforward: a sensor's output voltage is first converted by PGA900 to a proportional current, with 4 mA normally representing the sensor's zero-level output, and 20 mA representing the sensor's full-scale output. Then, a receiver at the remote end converts the 4- to 20-mA current back into a voltage which in turn can be further processed by a PLC, controller, computer, or display module.

Sending a current over long distances produces voltage losses proportional to the wiring's length. However, these voltage losses—also known as loop drops—do not impact the 4- to 20-mA current as long as the transmitter and loop supply can compensate for these drops. The magnitude of the current in the loop is not affected by voltage drops in the system wiring because all of the current originating at the negative (–) terminal of the loop power supply has to return back to its positive (+) terminal.

Adequate phase margin in the control loop is required to achieve stable current loop operation. Low-gain feedback circuitry or improper placement of capacitors can degrade the circuit performance.

## 2 PGA900 DAC Current Loop DC Characteristics

PGA900 can be configured to work as a loop-powered, 2-wire, 4- to 20-mA transmitter. The on-board 14-bit digital-to-analog converter (DAC) uses an internal reference voltage of 1.25 V. The DAC converts input DAC\_REG register code from 0x0000 to 0x3FFF into the equivalent loop current.

Figure 1 shows the principles of PGA900 operation in loop-powered transmitter mode. The circuit details were omitted for clarity. In Figure 1,  $I_{DD}$  represents supply (quiescent) currents of the internal digital and analog blocks and the sense element such as resistive bridge and thermocouple.

The DAC, DAC GAIN (the on-board operational amplifier), and external NPN transistor create a control loop. Equation 1 expresses the loop current as a function of the input DAC\_REG code.

$$I_{LOOP} = 1001 \frac{1.25 \text{ V}}{40 \text{ k}\Omega} \frac{\text{DAC\_REG\_CODE}}{0x3FFF} \quad (1)$$

From Figure 1, observe that  $I_{LOOP}$  is a sum of two currents:

$$I_{LOOP} = I_{DD} + I_E \quad (2)$$

where only  $I_E$  is a value regulated by the control loop to maintain the relationship shown.

The base current of the transistor can be neglected in the analysis due to high DC current gain (for BCP56-16  $h_{FE} = 100 - 250$ ).

Because only the magnitude of  $I_E$  is controlled,  $I_{LOOP}$  has a lower limit. This limit depends on the quiescent current of the sensor transmitter,  $I_{DD}$ .

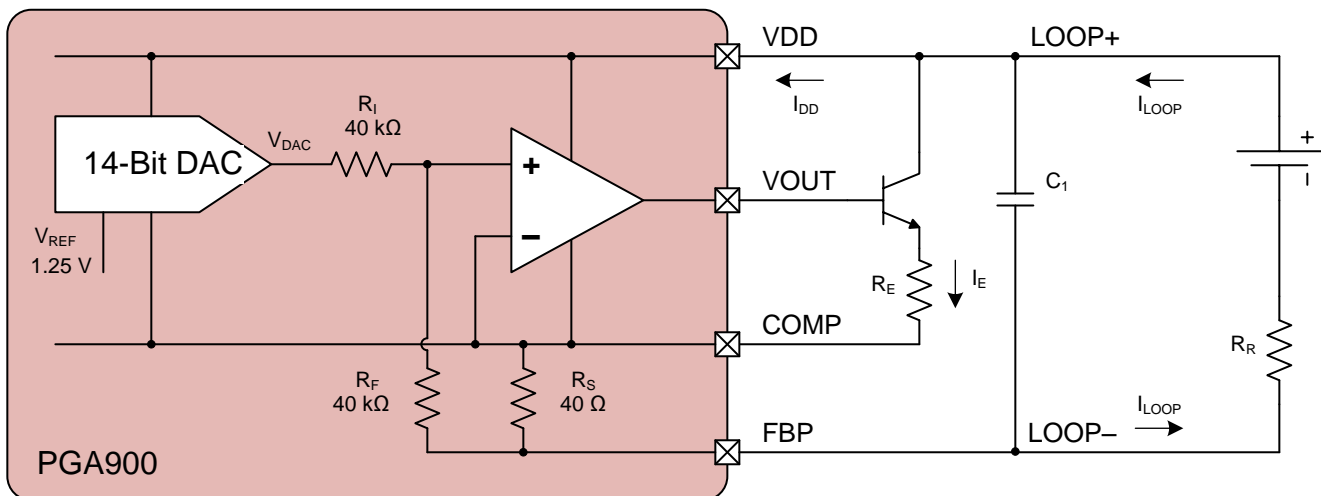


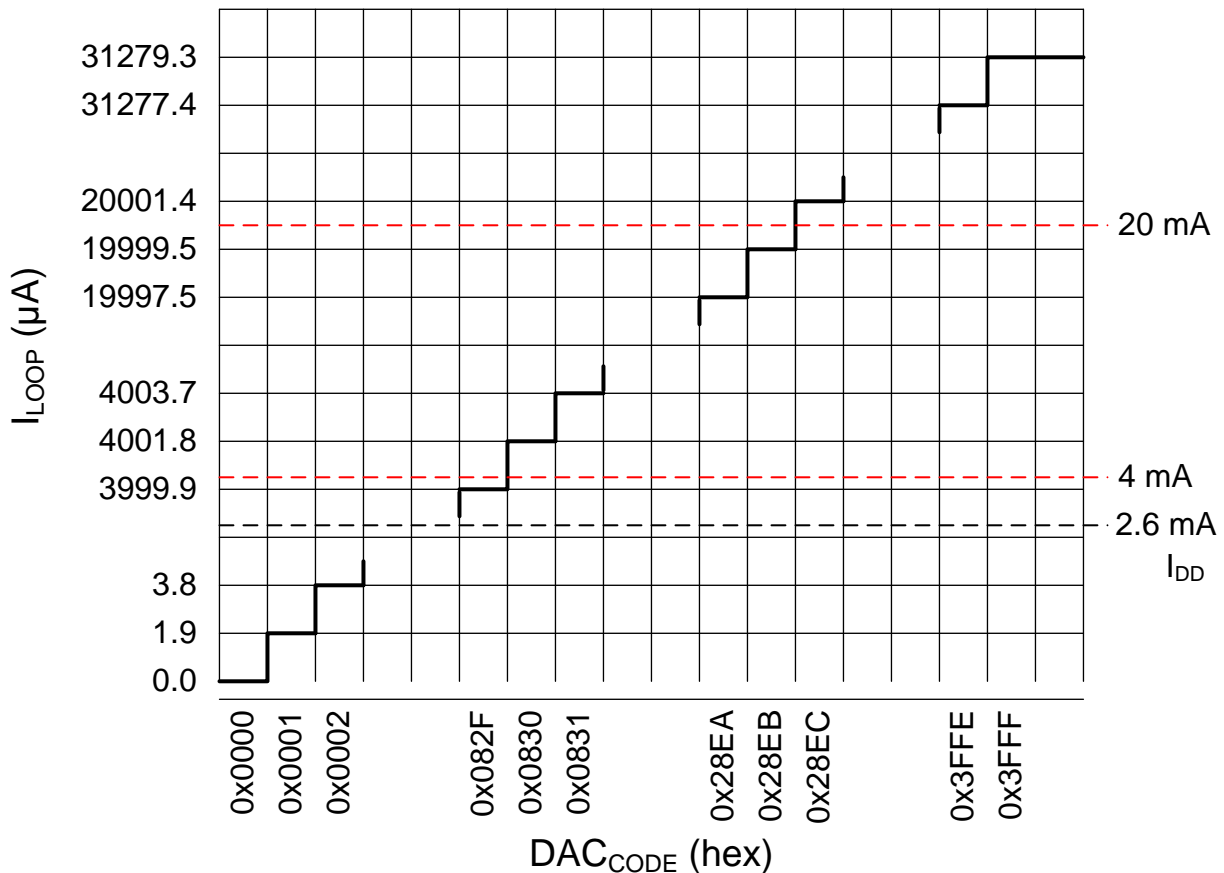
Figure 1. Loop-Powered PGA900 Transmitter

### 3 DC Input/Output Transfer Function

The output current sourced by the FBP pin of the device is expressed by [Equation 1](#). The valid DAC\_REG range is the full 14-bit code space (0x0000 to 0x3FFF), which results in the VDAC range of 0 to approximately 1.25 V. The theoretical maximum output current sourced out of the FBP pin,  $I_{LOOP}$ , is 31.28 mA. However, this does not result in the  $I_{LOOP}$  range of 0 to 31.28 mA. The minimum output current depends on the system implementation. The last component current,  $I_E$ , can be theoretically controlled down to 0 mA, but, due to the stability considerations of the control loop, do not allow  $I_E$  to drop below 500  $\mu$ A.

[Figure 2](#) shows the DAC transfer characteristic of the 4- to 20-mA transmitter, including minimum current limit. In this example, the minimum current limit for the loop-powered transmitter is about 2.6 mA ( $I_{DD}$ ).

The [PGA900 data sheet](#) specifications section lists typical values for  $I_{DD}$ . The minimum  $I_E$  depends on the BJT device used and control loop stability.



**Figure 2. PGA900 DAC Transfer Function**

## 4 AC Characteristics

Use the circuit from Figure 1 to analyze the AC characteristics of the loop drive circuit. From the circuit in Figure 1, assume that the internal PGA900 amplifier dominates the frequency response of the system (UGBW = 1.7 MHz). It has one dominant pole and pole-zero pair at 0.5 mHz, 142 kHz, and 274 kHz, respectively. BJT's response (for BCP56  $f_T = 180$  MHz) in the bandwidth of the control loop ( $f_{CL} = 100 - 200$  kHz) is assumed to be frequency independent and is characterized by the transconductance ( $g_m$ ) and the output resistance ( $r_o$ ). Figure 3 shows small-signal hybrid- $\pi$  model of BJT and open-loop output impedance ( $Z_O$ ) and open-loop gain ( $A_{OL}$ ) of the PGA900 internal operational amplifier.

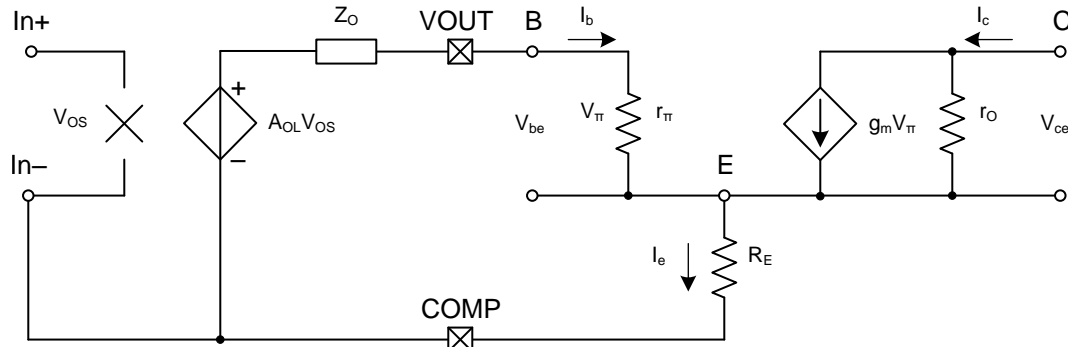


Figure 3. Small-Signal Hybrid- $\pi$  Model of BJT and PGA900

Components of the small-signal hybrid- $\pi$  model are directly dependent on the particular Q-point at which the transistor operates. Equation 3 through Equation 5 describe hybrid- $\pi$  model components.

$$r_{\pi} = \left. \frac{\partial V_{BE}}{\partial I_B} \right|_{Q-pt} = \frac{V_T}{I_{BQ}} = \frac{\beta V_T}{I_{CQ}} \quad (3)$$

$$g_m = \left. \frac{\partial I_C}{\partial V_{BE}} \right|_{Q-pt} = \frac{I_{CQ}}{V_T} \quad (4)$$

$$r_o = \left. \frac{\partial V_{CE}}{\partial I_C} \right|_{Q-pt} = \frac{V_T}{I_{CQ}} \quad (5)$$

The external emitter resistor,  $R_E$ , determines the gain of  $1/\beta$  and the frequency that the  $1/\beta$  and  $A_{OL}$  curves intersect. Selecting a proper value for  $R_E$  reduces the impact of  $Z_O$ ,  $r_{\pi}$ ,  $g_m$ , and the Q-point on the stability of the control loop.  $R_E$  values close to zero degrade the system phase margin resulting in high overshoot and ringing.

The first step when selecting the external emitter resistor is to determine the operating Q-point of the selected transistor. To ensure proper operation of OWI communication and to be able to calibrate PGA900, the minimum voltage between  $V_{DD}$  and GND must be 4 V. The maximum saturation voltage between  $V_{DD}$  and  $V_{OUT}$  is 0.2 V. A maximum base emitter saturation voltage of 0.8 V was used for this calculation in Equation 7.

$$R_E = \frac{V_{DD} - V_{CE\_sat} - V_{BE\_max}}{I_{OUT\_max}} \quad (6)$$

Using these values, calculate  $R_E$ .

$$R_E = \frac{4 \text{ V} - 0.2 \text{ V} - 0.8 \text{ V}}{20 \text{ mA}} = 150 \Omega \quad (7)$$

Based on the calculated  $R_E$  value, a load line can be plotted over the  $I_C$  vs  $V_{CE}$  graph for the selected transistor, in this case the BCP56-15, as shown in Figure 4. The transistor provides the difference between the 4- to 20-mA loop current and the 2.6-mA quiescent current of the transmitter. Therefore, the transistor emitter current will vary from 1.4 to 17.4 mA and the  $V_{CE}$  voltage will vary from 3.8 to 1.4 V.

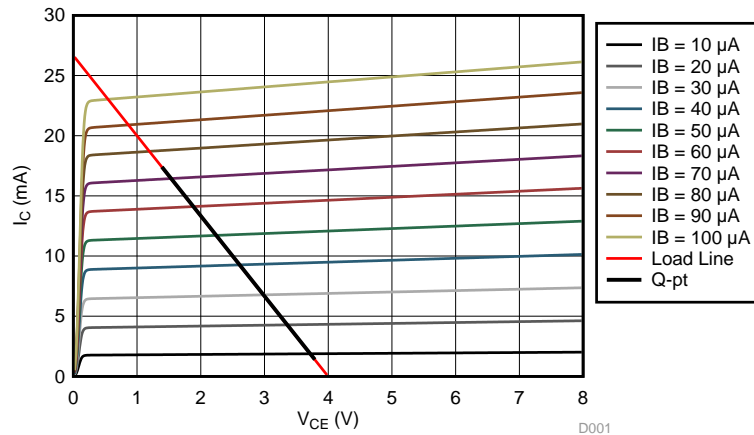


Figure 4. BCP56-16 DC Load Line for the Common Collector Circuit Used for 4- to 20-mA Transmitter

From Figure 1, observe that the emitter resistor is part of the feedback network. This resistor impacts the closed-loop gain of the amplifier. Selecting a value of 150 Ω creates  $1/\beta$  of 18 dB, the amount of the output voltage fed back to the feedback point. Figure 5 shows the gain and phase of the PGA900 DAC gain operational amplifier.

From Figure 5, observe that  $1/\beta$  crosses the  $A_{OL}$  curve at 210 kHz. The loop-gain phase margin at the crossing frequency is 75°. This direct relationship between phase margin and overshoot is shown in Figure 6. For a high phase margin, the operational amplifier output overshoot will be negligible.

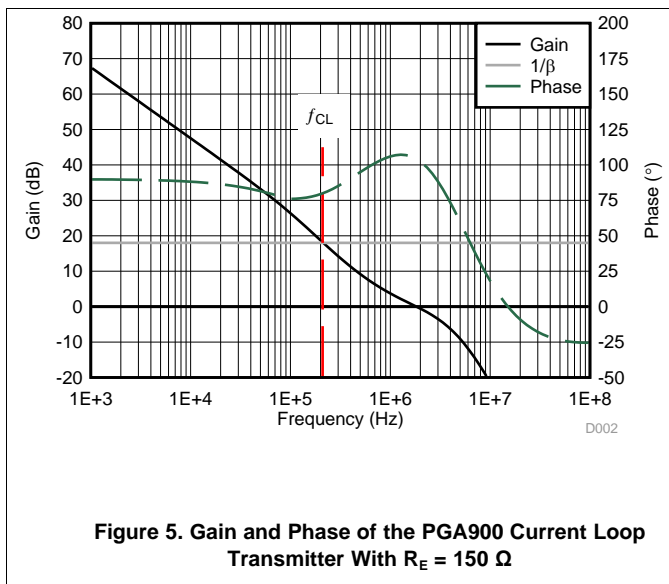


Figure 5. Gain and Phase of the PGA900 Current Loop Transmitter With  $R_E = 150 \Omega$

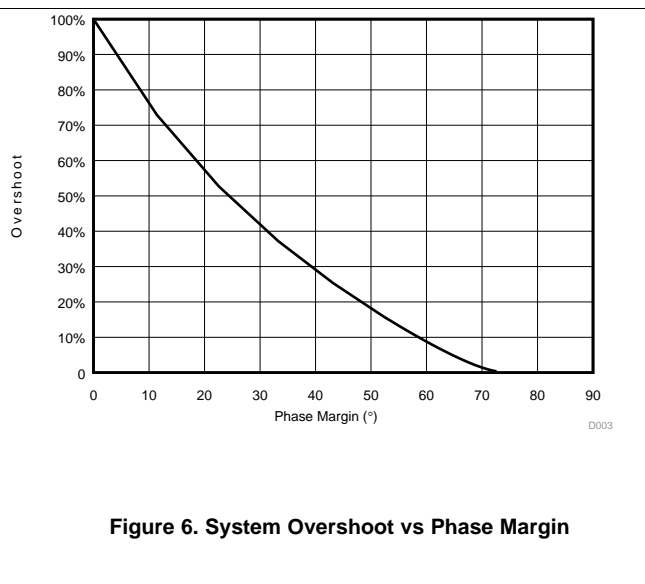


Figure 6. System Overshoot vs Phase Margin

### 4.1 Simulated Results

Figure 7 displays the simulated results when a small-signal step response is applied to the inputs of the DAC gain operational amplifier. The operational amplifier output quickly settles to the final value with minimal overshoot and ringing which correlates to the high phase margin measured previously. Figure 8 shows the simulated large-signal response of the circuit. The current loop response depends on the value of the decoupling capacitor and loop load resistance.

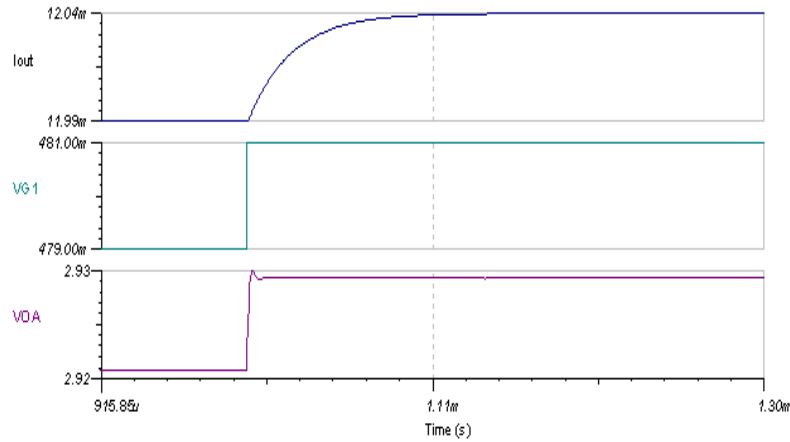


Figure 7. Small-Signal Response of the PGA900 Current Loop Transmitter With  $R_E = 150 \Omega$

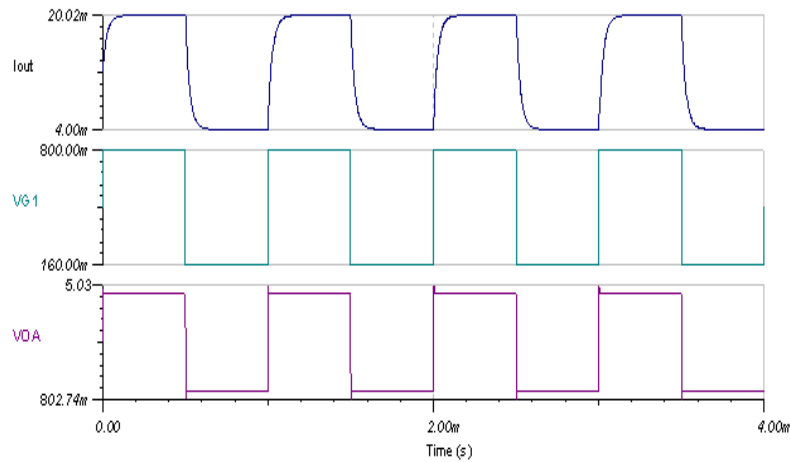


Figure 8. Large-Signal Response of the PGA900 Current Loop Transmitter With  $R_E = 150 \Omega$

## 4.2 Measured Results

Figure 9 shows the measured large-signal step response.



Figure 9. Large-Signal Step Response, 4- to 20-mA Measured at  $R_s$

## 5 Recommendations from the Analysis

This analysis needs to be performed using the minimum loop voltage. The closed loop response does not change when the supply voltage increases from the minimum value to the maximum value of 30 V. TI recommends using the largest possible emitter resistance for the specified minimum supply voltage. Take special care not to add capacitors between VDD and GND or DACCAP and GND. The addition of one or both of these capacitors adds an unwanted zero in the feedback loop and causes stability problems. TI recommends to add a capacitor between Loop+ and Loop- or between VDD and FBP to minimize the effects of loop noise on the PGA900. As this capacitor is out of the PGA900 current control loop, it does not impact system stability. This analysis used a general-purpose BCP56-16 NPN transistor. Using similar transistors like 2N2222 does not change the design procedure and response results.

## 6 Conclusion

PGA900 is designed to operate as a 2-wire current loop transmitter. The designer must first determine the minimum available transmitter voltage. Based on that, proper selection of the operating Q-point leads to selecting an emitter resistor. The added emitter resistor minimizes the impact of the loop components' variation and provides adequate gain of the control loop. This leads to lower closed-loop frequency and better phase margin. Small-signal and large-signal step response exhibit quick settlement to the final value with minimum overshoot.



## 7 References

1. John V. Wait, etc., *Introduction to Operational Amplifier Theory and Applications*, ISBN: 978-0070677654
2. Thomas M. Frederiksen, *Intuitive Operational Amplifiers: From Basics to Useful Applications*, ISBN: 978-0070219670
3. George B. Rutkowski, *Operational Amplifiers: Integrated and Hybrid Circuits*, ISBN: 978-0-471-57718-8
4. Jerald G. Graeme, *Optimizing Op Amp Performance*, ISBN: 978-0071590280
5. Sergio Franco, *Design With Operational Amplifiers and Analog Integrated Circuits*, ISBN: 978-0078028168
6. Miroslav Oljaca and Henry Surtihadi, *Operational amplifier gain stability, Part 1: General system analysis*, Analog Applications Journal (1Q 2010), [SLYT367](#)
7. Henry Surtihadi and Miroslav Oljaca, *Operational amplifier gain stability, Part 2: DC gain-error analysis*, Analog Applications Journal (2Q 2010), [SLYT374](#)
8. Miroslav Oljaca and Henry Surtihadi, *Operational amplifier gain stability, Part 3: AC gain-error analysis*, Analog Applications Journal (3Q 2010), [SLYT383](#)
9. TI E2E forum, [Solving Op Amp Stability Issues](#)
10. Miro Oljaca, Collin Wells, and Tim Green, *Understanding Open Loop Gain of the PGA900 DAC Gain Amplifier*. [SLDA031](#)
11. Miro Oljaca, Tim Green, and Collin Wells, *PGA900 as a Capacitive Load Driver*. [SLDA020](#)

## IMPORTANT NOTICE

Texas Instruments Incorporated and its subsidiaries (TI) reserve the right to make corrections, enhancements, improvements and other changes to its semiconductor products and services per JESD46, latest issue, and to discontinue any product or service per JESD48, latest issue. Buyers should obtain the latest relevant information before placing orders and should verify that such information is current and complete. All semiconductor products (also referred to herein as "components") are sold subject to TI's terms and conditions of sale supplied at the time of order acknowledgment.

TI warrants performance of its components to the specifications applicable at the time of sale, in accordance with the warranty in TI's terms and conditions of sale of semiconductor products. Testing and other quality control techniques are used to the extent TI deems necessary to support this warranty. Except where mandated by applicable law, testing of all parameters of each component is not necessarily performed.

TI assumes no liability for applications assistance or the design of Buyers' products. Buyers are responsible for their products and applications using TI components. To minimize the risks associated with Buyers' products and applications, Buyers should provide adequate design and operating safeguards.

TI does not warrant or represent that any license, either express or implied, is granted under any patent right, copyright, mask work right, or other intellectual property right relating to any combination, machine, or process in which TI components or services are used. Information published by TI regarding third-party products or services does not constitute a license to use such products or services or a warranty or endorsement thereof. Use of such information may require a license from a third party under the patents or other intellectual property of the third party, or a license from TI under the patents or other intellectual property of TI.

Reproduction of significant portions of TI information in TI data books or data sheets is permissible only if reproduction is without alteration and is accompanied by all associated warranties, conditions, limitations, and notices. TI is not responsible or liable for such altered documentation. Information of third parties may be subject to additional restrictions.

Resale of TI components or services with statements different from or beyond the parameters stated by TI for that component or service voids all express and any implied warranties for the associated TI component or service and is an unfair and deceptive business practice. TI is not responsible or liable for any such statements.

Buyer acknowledges and agrees that it is solely responsible for compliance with all legal, regulatory and safety-related requirements concerning its products, and any use of TI components in its applications, notwithstanding any applications-related information or support that may be provided by TI. Buyer represents and agrees that it has all the necessary expertise to create and implement safeguards which anticipate dangerous consequences of failures, monitor failures and their consequences, lessen the likelihood of failures that might cause harm and take appropriate remedial actions. Buyer will fully indemnify TI and its representatives against any damages arising out of the use of any TI components in safety-critical applications.

In some cases, TI components may be promoted specifically to facilitate safety-related applications. With such components, TI's goal is to help enable customers to design and create their own end-product solutions that meet applicable functional safety standards and requirements. Nonetheless, such components are subject to these terms.

No TI components are authorized for use in FDA Class III (or similar life-critical medical equipment) unless authorized officers of the parties have executed a special agreement specifically governing such use.

Only those TI components which TI has specifically designated as military grade or "enhanced plastic" are designed and intended for use in military/aerospace applications or environments. Buyer acknowledges and agrees that any military or aerospace use of TI components which have **not** been so designated is solely at the Buyer's risk, and that Buyer is solely responsible for compliance with all legal and regulatory requirements in connection with such use.

TI has specifically designated certain components as meeting ISO/TS16949 requirements, mainly for automotive use. In any case of use of non-designated products, TI will not be responsible for any failure to meet ISO/TS16949.

### Products

Audio	<a href="http://www.ti.com/audio">www.ti.com/audio</a>
Amplifiers	<a href="http://amplifier.ti.com">amplifier.ti.com</a>
Data Converters	<a href="http://dataconverter.ti.com">dataconverter.ti.com</a>
DLP® Products	<a href="http://www.dlp.com">www.dlp.com</a>
DSP	<a href="http://dsp.ti.com">dsp.ti.com</a>
Clocks and Timers	<a href="http://www.ti.com/clocks">www.ti.com/clocks</a>
Interface	<a href="http://interface.ti.com">interface.ti.com</a>
Logic	<a href="http://logic.ti.com">logic.ti.com</a>
Power Mgmt	<a href="http://power.ti.com">power.ti.com</a>
Microcontrollers	<a href="http://microcontroller.ti.com">microcontroller.ti.com</a>
RFID	<a href="http://www.ti-rfid.com">www.ti-rfid.com</a>
OMAP Applications Processors	<a href="http://www.ti.com/omap">www.ti.com/omap</a>
Wireless Connectivity	<a href="http://www.ti.com/wirelessconnectivity">www.ti.com/wirelessconnectivity</a>

### Applications

Automotive and Transportation	<a href="http://www.ti.com/automotive">www.ti.com/automotive</a>
Communications and Telecom	<a href="http://www.ti.com/communications">www.ti.com/communications</a>
Computers and Peripherals	<a href="http://www.ti.com/computers">www.ti.com/computers</a>
Consumer Electronics	<a href="http://www.ti.com/consumer-apps">www.ti.com/consumer-apps</a>
Energy and Lighting	<a href="http://www.ti.com/energy">www.ti.com/energy</a>
Industrial	<a href="http://www.ti.com/industrial">www.ti.com/industrial</a>
Medical	<a href="http://www.ti.com/medical">www.ti.com/medical</a>
Security	<a href="http://www.ti.com/security">www.ti.com/security</a>
Space, Avionics and Defense	<a href="http://www.ti.com/space-avionics-defense">www.ti.com/space-avionics-defense</a>
Video and Imaging	<a href="http://www.ti.com/video">www.ti.com/video</a>

### TI E2E Community

[e2e.ti.com](http://e2e.ti.com)