

TRF1x22EVM Rev 1.0

This user's guide provides an overview of the TRF1x22 evaluation module (EVM). It provides a general description of the features and functions to be considered while using this module.

Contents

1	Overview	1
2	EVM Test Configuration	2
3	Basic Test Procedure	3
4	Optional Configurations	5
5	Physical Description	5

List of Figures

1	System Block Diagram	2
2	Test Setup Block Diagram	2
3	TRF1x22EVM Performance	4
4	Top Layer 1	6
5	Ground Plane Layer 2	7
6	Power Plane Layer 3	7
7	Bottom Layer 4	8

List of Tables

1	TRF1x22EVM Parts List	8
---	-----------------------------	---

1 Overview

1.1 Purpose

This is the user's guide for the TRF1x22EVM. The TRF1x22 is a transmit up-converter with integrated amplifiers and digital attenuator for use in a WiMAX system.

1.2 EVM Configuration Options

The EVM can be configured as a TRF1122 or TRF1222. The configuration of the board is marked by a component placed in either the R1122 or R1222 location. The TRF1121 operates in the 2.3GHz to 2.7GHz band and the TRF1222 operates in the 3.3GHz to 3.8GHz band.

1.3 System Block Diagram

The basic radio system block diagram in [Figure 1](#) demonstrates where the TRF1x22 fits in the overall transceiver. The dashed-line box highlights the TRF1x22 device.

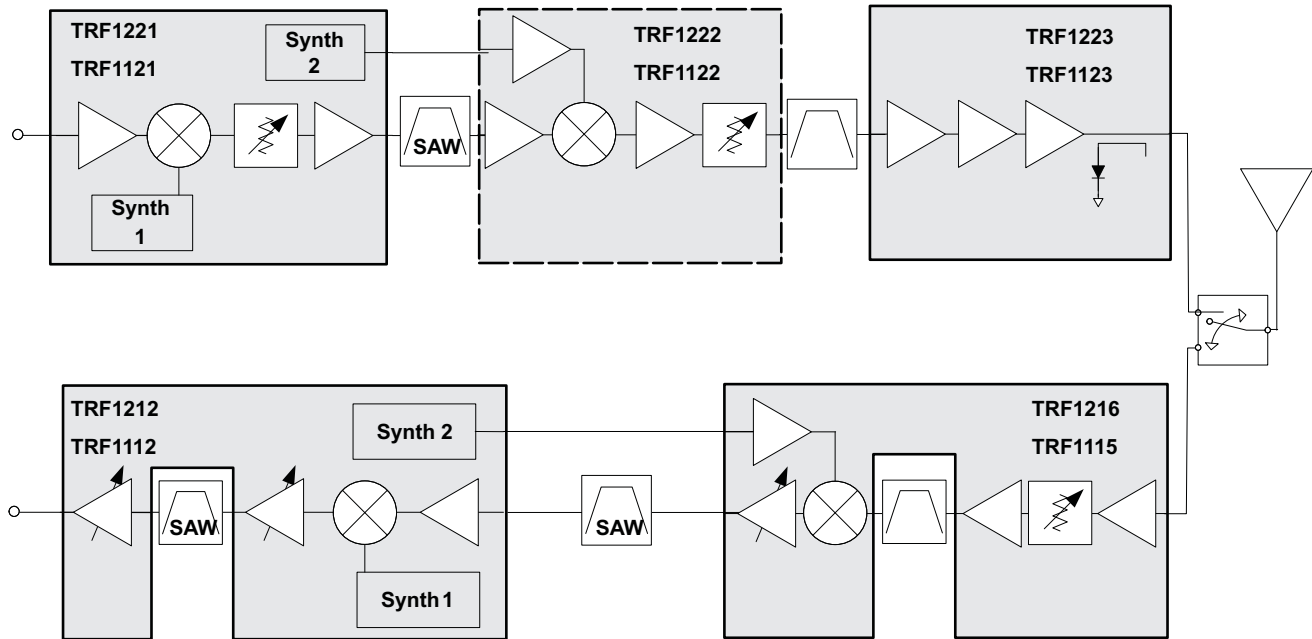


Figure 1. System Block Diagram

2 EVM Test Configuration

2.1 Test Block Diagram

The test setup for general testing of the TX FE EVM is shown in [Figure 2](#).

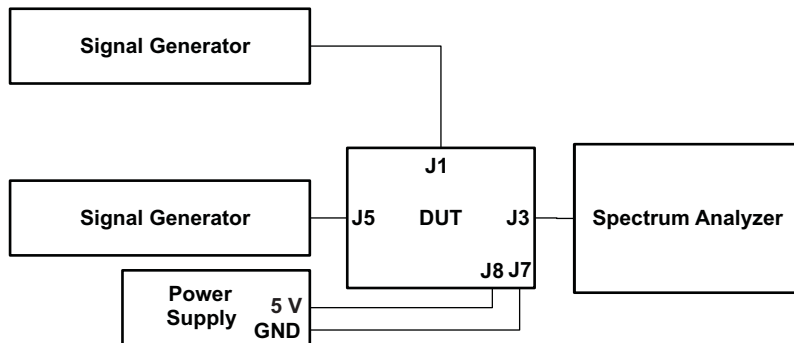


Figure 2. Test Setup Block Diagram

2.2 Test Equipment

The following equipment is required for completing RF Testing:

- Power supply with current readout Agilent E3631 or equivalent
- Signal generator for input signal Agilent E4438C or equivalent
- Signal generator for LO source Agilent E4438C or equivalent
- Spectrum analyzer Agilent E4440A or equivalent

2.3 Calibration

The output RF cable and input LO cable should be good-quality RF cables because of the high-frequency signals.

- Measure the insertion loss of the RF output cable and use this value to compensate for the output power read from the spectrum analyzer. The insertion loss value can be stored in the analyzer's Reference Level Offset parameter.
- Measure the insertion loss of the RF cable used to inject the LO signal. Compensate for the loss of this cable by incrementing the amplitude of the signal generator over the desired value by the amount of insertion loss. For example, if the insertion loss of the cable is 1.2 dB and the desired set point is 0 dBm, set the amplitude of the generator to 1.2 dB.
- Verify that the input signal at the end of the cable connected to the board is at the desired set-point value. If not, adjust for the insertion loss by incrementing the amplitude on the signal generator.

3 Basic Test Procedure

This section outlines the basic test procedure for testing the EVM.

3.1 Initial Inspection

- Determine which device is placed on the board by inspecting which jumper resistor is installed at the R1122 and R1222 location.
- Verify jumper connection at J9 is it the 0 dB location.

3.2 DC Test

- Connect +5 V to J8; connect ground to J7.
- Engage power supplies.
- Verify that current is 175 ± 25 mA

3.3 Basic RF Test

- Inject 325-MHz CW signal in at J5 at -20 dBm.
- Connect spectrum analyzer at J3.
- Set spectrum analyzer center frequency to: 3500 MHz (TRF1222) or 2400 MHz (TRF1122).
- Verify that the jumper at J9 is set to 0 dB.
- Connect second signal generator at J1 and set to 0 dBm at frequency: 3175 MHz (TRF1222) or 2075 MHz (TRF1122); ensure that LO cable loss is compensated for.
- Measure signal at 3500 MHz (TRF1222) or 2400 MHz (TRF1122) and verify that signal is at -3.5 dBm (TRF1222) or 1 dBm (TRF1122) ± 2 dB; ensure that the RF output cable loss is compensated for.
- Change UCATTN jumper at J9 to -16 dB and verify that the signal decreases 16 ± 2 dB.
- Revert jumper back to original position at 0 dB.

3.4 Modulated RF Performance

- Inject 325-MHz modulated signal in at J5 at -30 dBm.
- Inject CW LO source at J1 and set to 0 dBm at frequency: 3175 MHz (TRF1222) or 2075 MHz (TRF1122). Note, this should be a low-phase noise source. Verify that the LO cable loss is compensated for.
- Connect cable to spectrum analyzer at J5, and initiate WiMAX analysis program.
- Set spectrum analyzer center frequency to: 3500 MHz (TRF1222) or 2400MHz (TRF1122).
- Adjust reference level offset to appropriate range for output signal.
- Verify that the output signal power is at -15.5 dBm (TRF1222) or -11 dBm (TRF1122) ± 2 dB; ensure that the RF output cable loss is compensated for.
- Verify that the EVM performance is less than -40 dB.

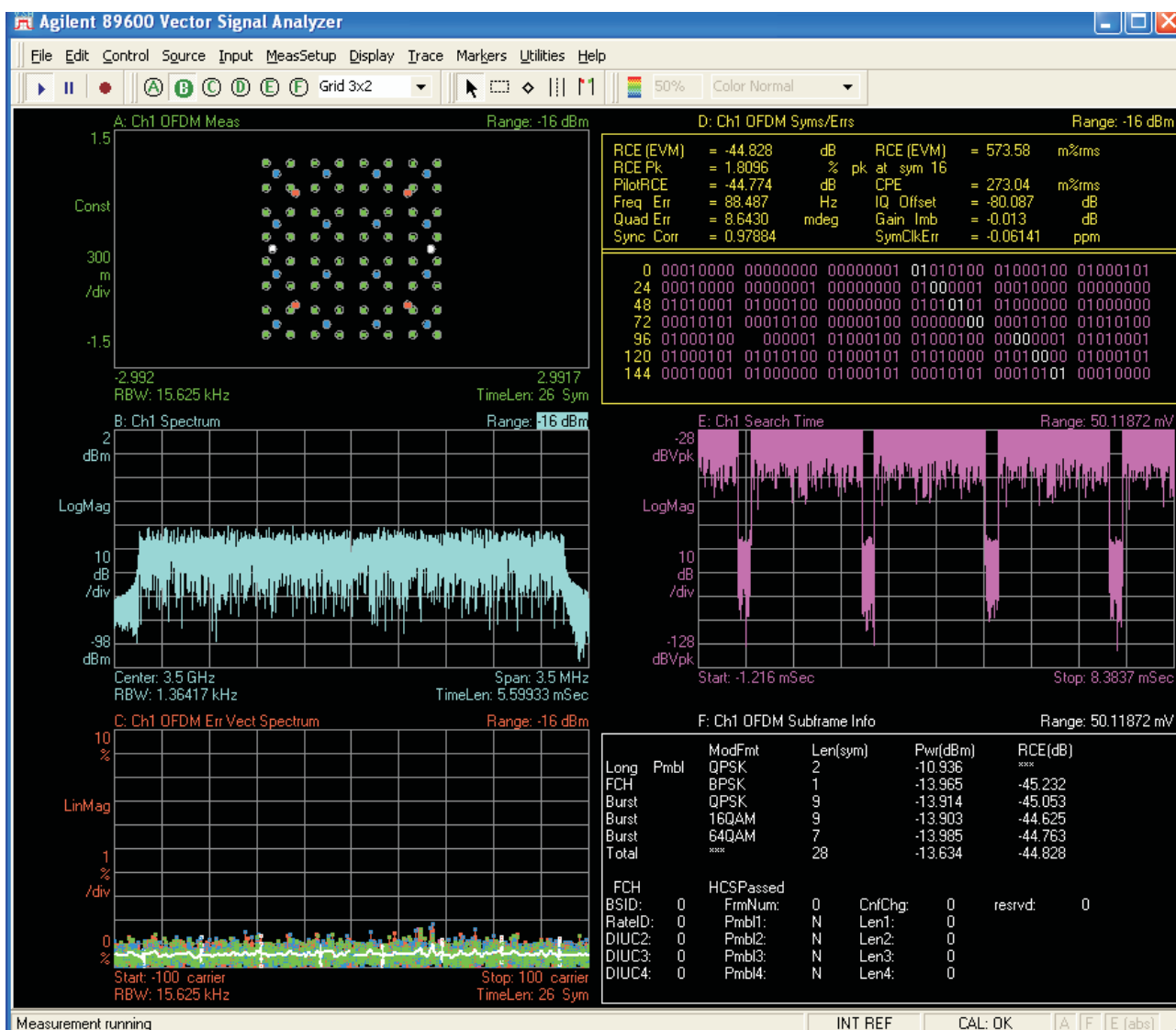


Figure 3. TRF1x22EVM Performance

4 Optional Configurations

4.1 External RF Filter

The EVM is configured with the mixer output directly connected to RF amplifier inputs. These ports are intended to provide an option for an RF filter at this location. An external filter can be used by installing the jumpers to route the signal to the SMA connectors. To employ this option, the following modifications are required.

- Move R9 to R10 location.
- Move R4 to R9 location.
- Monitor at connectors J10 (mixer output) and J6 (Amplifier Input).

4.2 Differential Inputs

The normal configuration uses transformers and baluns to convert the differential signals to single-ended to facilitate laboratory testing. If desired, any of the inputs can be converted to differential operation which may be desirable when cascading one or more of the chipset's EVMs together.

4.2.1 IF Input

- Remove T2 place.
- R1: 0- Ω resistor (1210)
- Place R12: 0- Ω resistor.
- Differential outputs at J5 and J4

4.2.2 LO Input

- Remove T1
- Jumper across pads of T2 (input to output on each side) using a 0- Ω 0201 resistor
- Place 3.7 pF (1222) or 4.7 pF (1122) at R3
- Differential inputs at J1 and J2

5 Physical Description

This section describes the physical characteristics and PCB layout of the EVM and lists the components used on the module.

5.1 PCB Layout

The EVM is constructed on a 4-layer, 2.5-inch × 2.5-inch, 0.062-inch-thick PCB using FR4-170 material. Figure 4 through Figure 7 show the PCB layout for the EVM.

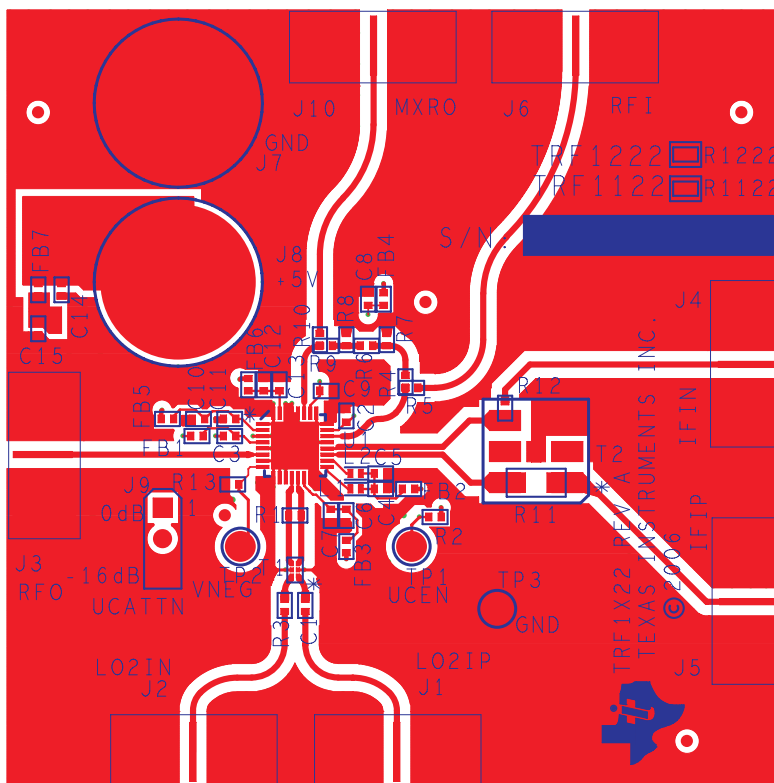


Figure 4. Top Layer 1

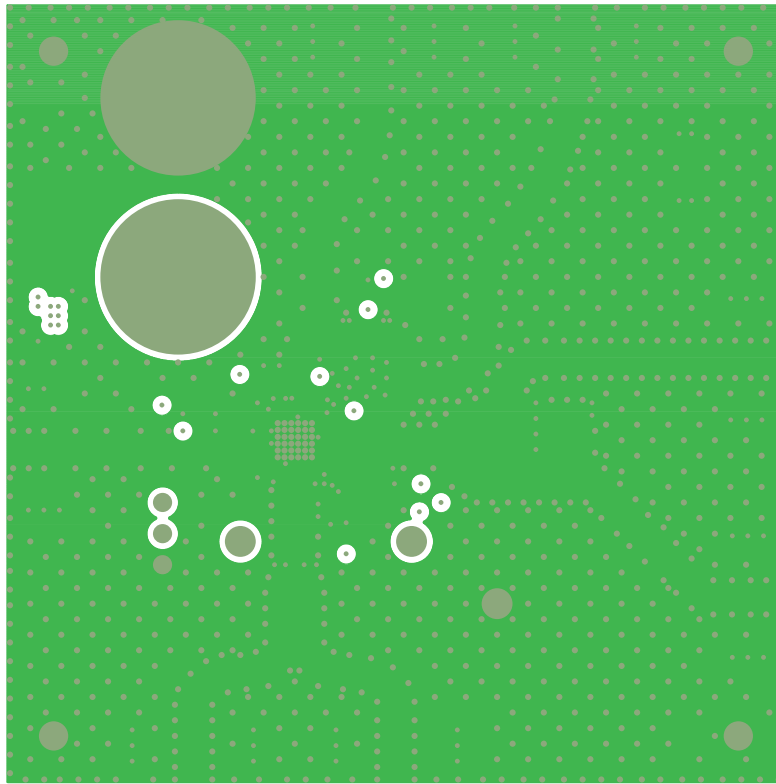


Figure 5. Ground Plane Layer 2

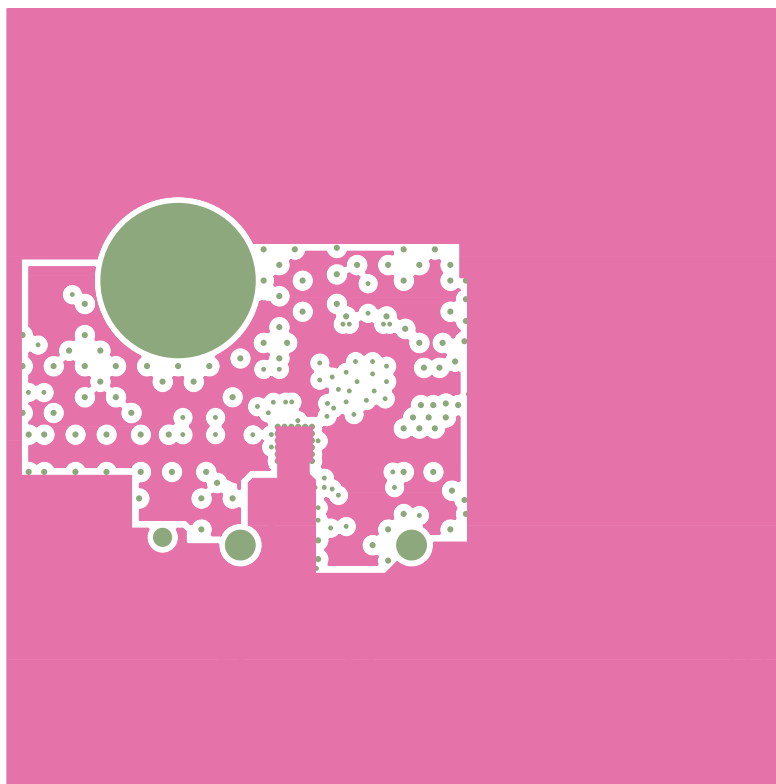


Figure 6. Power Plane Layer 3

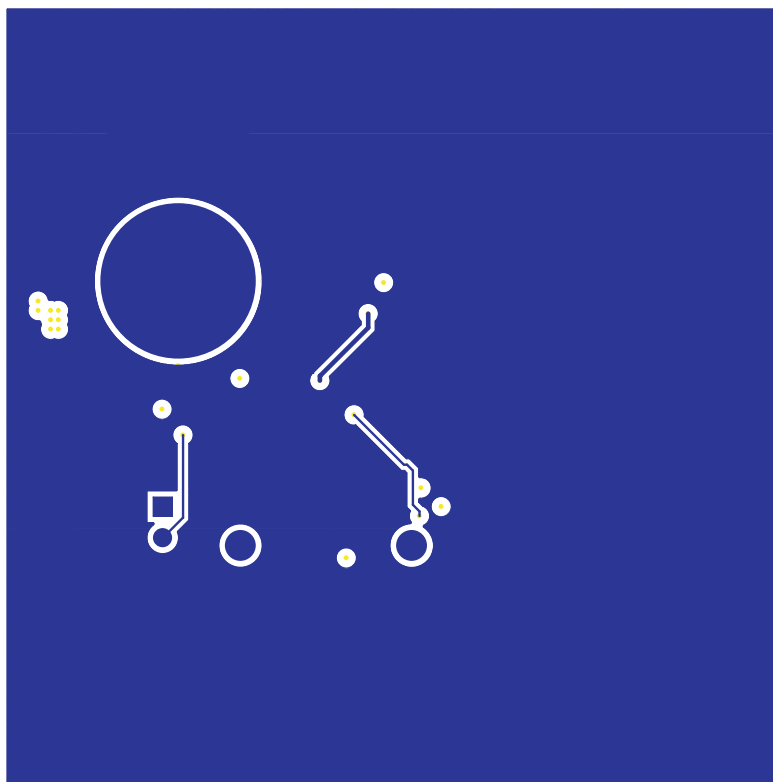


Figure 7. Bottom Layer 4

5.2 Parts List

Table 1 lists the parts used in constructing the EVM.

Table 1. TRF1x22EVM Parts List

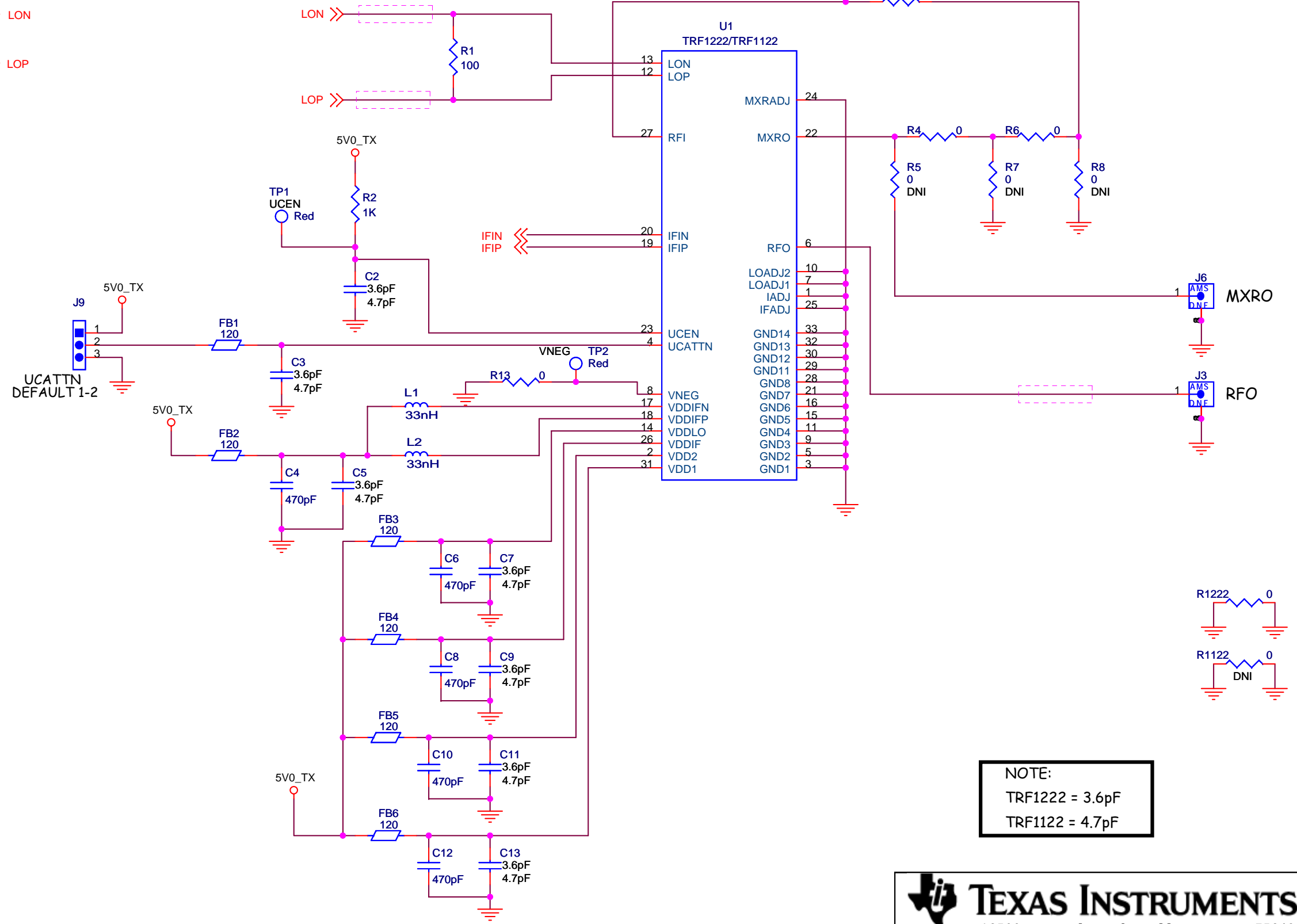
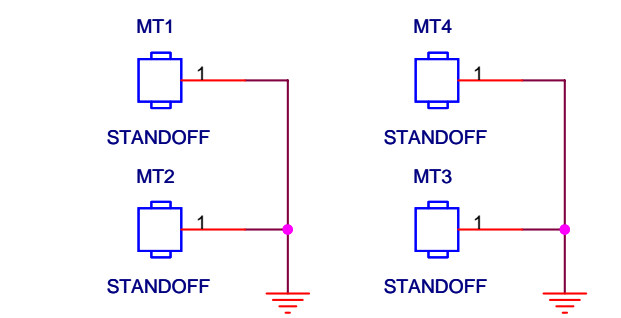
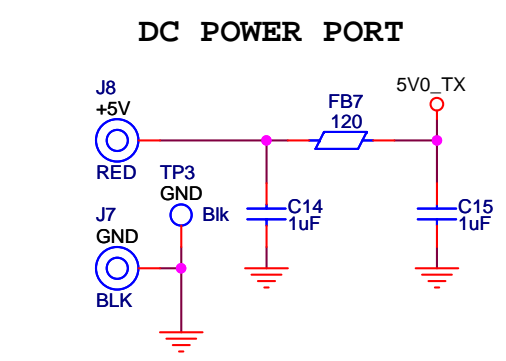
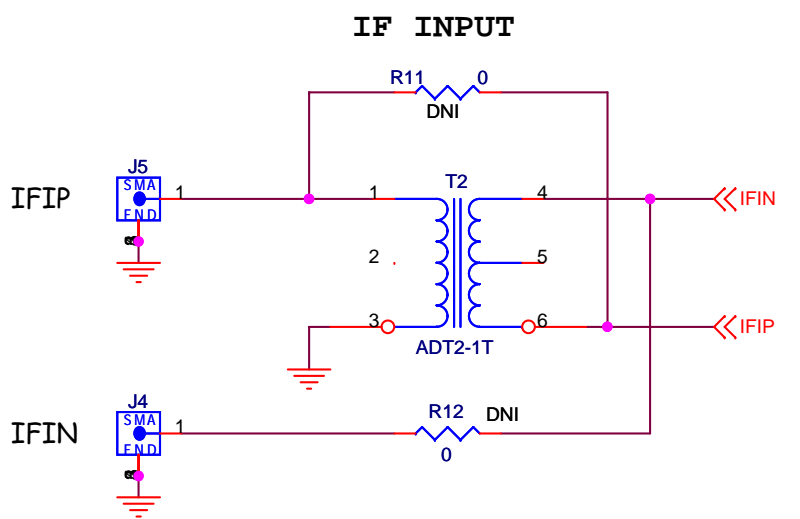
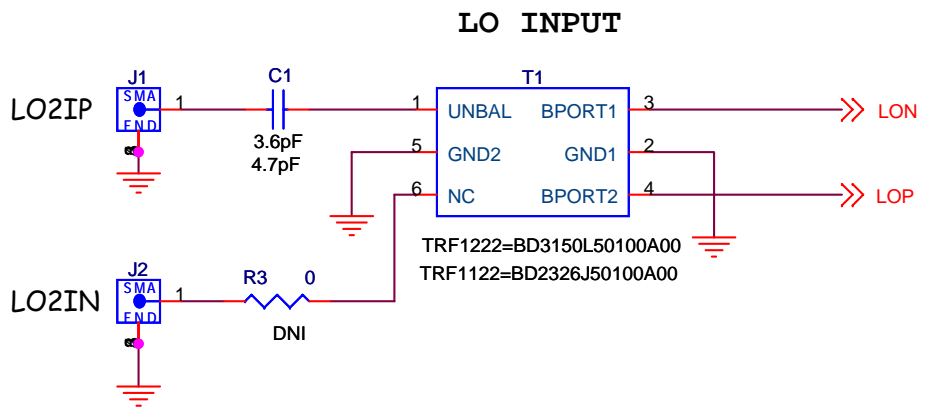
QTY	Ref	Value	MFR	Part number	Note
8	C1–C3 C5 C7 C9 C11 C13	4.7pF	Murata	GRM1555C1H4R7CZ01D	TRF1122 EVM
8	C1–C3 C5 C7 C9 C11 C13	3.6pF	Murata	GRM1555C1H3R6CZ01D	TRF1222 EVM
5	C4 C6 C8 C10 C12	470pF	Murata	GRM1555C1H471JA01D	
2	C14 C15	1 μ F	Panasonic	ECJ-0EB1A105M	
7	FB1–FB7	120	Murata	BLM15AG121SNIB	
7	J1–J6 J10	SMA	Johnson Components	142-0701-851	
1	J7	BLK	Allied Electronics	ST-351B	
1	J8	RED	Allied Electronics	ST-351A	
1	J9	JUMPER	Samtec	TSW-103-07-L-S	
2	L1 L2	33nH	Coilcraft	0402CS-33NXJLU	
4	MT1–MT4	STANDOFF	Keystone	1902CK	
1	R1	100	Panasonic	ERJ-2RKF1000X	
1	R2	1K	Panasonic	ERJ-2RKF1001X	
7	R3 R5 R7 R8 R10 R12 R11 R22	0	Panasonic	ERJ-2GE0R00X	DNI
5	R4 R6 R9 R13 R12 R22	0	Panasonic	ERJ-2GE0R00X	DNI
1	R11	0	Panasonic	ERJ-8GEY0R00V	
1	T1	2326MHz	Anaren	BD2326L50100A00	TRF1122 EVM

Table 1. TRF1x22EVM Parts List (continued)

QTY	Ref	Value	MFR	Part number	Note
1	T1	3150MHz	Anaren	BD3150L50100A00	TRF1222 EVM
1	T2	ADT2-1T	Minicircuits	ADT2-1T	
2	TP1 TP2	Red	Keystone	5000	
1	TP3	Blk	Keystone	5001	
1	U1	TRF1122	TI	TRF1122	TRF1122 EVM
	U1	TRF1222	TI	TRF1222	TRF1222 EVN
Notes: 1 DNI = Do Not Install					
2. Jumper pins 1 and 2 on J9					

5.3 Schematic

The TRF1x22EVM schematic follows this page.



NOTE:
 TRF1222 = 3.6pF
 TRF1122 = 4.7pF

TEXAS INSTRUMENTS
 12500 TI Boulevard, Dallas, Texas 75243

Title: **TRF1X22 EVM - SCH**

Size B	Document Number	Rev A
Date: Wednesday, July 26, 2006	Sheet 1 of 1	

Engineer: R. HOPPENSTEIN
 Drawn By: JV SMITH

EVALUATION BOARD/KIT IMPORTANT NOTICE

Texas Instruments (TI) provides the enclosed product(s) under the following conditions:

This evaluation board/kit is intended for use for **ENGINEERING DEVELOPMENT, DEMONSTRATION, OR EVALUATION PURPOSES ONLY** and is not considered by TI to be a finished end-product fit for general consumer use. Persons handling the product(s) must have electronics training and observe good engineering practice standards. As such, the goods being provided are not intended to be complete in terms of required design-, marketing-, and/or manufacturing-related protective considerations, including product safety and environmental measures typically found in end products that incorporate such semiconductor components or circuit boards. This evaluation board/kit does not fall within the scope of the European Union directives regarding electromagnetic compatibility, restricted substances (RoHS), recycling (WEEE), FCC, CE or UL, and therefore may not meet the technical requirements of these directives or other related directives.

Should this evaluation board/kit not meet the specifications indicated in the User's Guide, the board/kit may be returned within 30 days from the date of delivery for a full refund. **THE FOREGOING WARRANTY IS THE EXCLUSIVE WARRANTY MADE BY SELLER TO BUYER AND IS IN LIEU OF ALL OTHER WARRANTIES, EXPRESSED, IMPLIED, OR STATUTORY, INCLUDING ANY WARRANTY OF MERCHANTABILITY OR FITNESS FOR ANY PARTICULAR PURPOSE.**

The user assumes all responsibility and liability for proper and safe handling of the goods. Further, the user indemnifies TI from all claims arising from the handling or use of the goods. Due to the open construction of the product, it is the user's responsibility to take any and all appropriate precautions with regard to electrostatic discharge.

EXCEPT TO THE EXTENT OF THE INDEMNITY SET FORTH ABOVE, NEITHER PARTY SHALL BE LIABLE TO THE OTHER FOR ANY INDIRECT, SPECIAL, INCIDENTAL, OR CONSEQUENTIAL DAMAGES.

TI currently deals with a variety of customers for products, and therefore our arrangement with the user **is not exclusive**.

TI assumes **no liability for applications assistance, customer product design, software performance, or infringement of patents or services described herein.**

Please read the User's Guide and, specifically, the Warnings and Restrictions notice in the User's Guide prior to handling the product. This notice contains important safety information about temperatures and voltages. For additional information on TI's environmental and/or safety programs, please contact the TI application engineer or visit www.ti.com/esh.

No license is granted under any patent right or other intellectual property right of TI covering or relating to any machine, process, or combination in which such TI products or services might be or are used.

FCC Warning

This evaluation board/kit is intended for use for **ENGINEERING DEVELOPMENT, DEMONSTRATION, OR EVALUATION PURPOSES ONLY** and is not considered by TI to be a finished end-product fit for general consumer use. It generates, uses, and can radiate radio frequency energy and has not been tested for compliance with the limits of computing devices pursuant to part 15 of FCC rules, which are designed to provide reasonable protection against radio frequency interference. Operation of this equipment in other environments may cause interference with radio communications, in which case the user at his own expense will be required to take whatever measures may be required to correct this interference.

EVM WARNINGS AND RESTRICTIONS

It is important to operate this EVM within the input voltage range of 0 V to 5 V and the output voltage range of 0 V to 5 V.

Exceeding the specified input range may cause unexpected operation and/or irreversible damage to the EVM. If there are questions concerning the input range, please contact a TI field representative prior to connecting the input power.

Applying loads outside of the specified output range may result in unintended operation and/or possible permanent damage to the EVM. Please consult the EVM User's Guide prior to connecting any load to the EVM output. If there is uncertainty as to the load specification, please contact a TI field representative.

During normal operation, some circuit components may have case temperatures greater than 85°C. The EVM is designed to operate properly with certain components above 85°C as long as the input and output ranges are maintained. These components include but are not limited to linear regulators, switching transistors, pass transistors, and current sense resistors. These types of devices can be identified using the EVM schematic located in the EVM User's Guide. When placing measurement probes near these devices during operation, please be aware that these devices may be very warm to the touch.

Mailing Address: Texas Instruments, Post Office Box 655303, Dallas, Texas 75265
Copyright © 2006, Texas Instruments Incorporated

IMPORTANT NOTICE

Texas Instruments Incorporated and its subsidiaries (TI) reserve the right to make corrections, modifications, enhancements, improvements, and other changes to its products and services at any time and to discontinue any product or service without notice. Customers should obtain the latest relevant information before placing orders and should verify that such information is current and complete. All products are sold subject to TI's terms and conditions of sale supplied at the time of order acknowledgment.

TI warrants performance of its hardware products to the specifications applicable at the time of sale in accordance with TI's standard warranty. Testing and other quality control techniques are used to the extent TI deems necessary to support this warranty. Except where mandated by government requirements, testing of all parameters of each product is not necessarily performed.

TI assumes no liability for applications assistance or customer product design. Customers are responsible for their products and applications using TI components. To minimize the risks associated with customer products and applications, customers should provide adequate design and operating safeguards.

TI does not warrant or represent that any license, either express or implied, is granted under any TI patent right, copyright, mask work right, or other TI intellectual property right relating to any combination, machine, or process in which TI products or services are used. Information published by TI regarding third-party products or services does not constitute a license from TI to use such products or services or a warranty or endorsement thereof. Use of such information may require a license from a third party under the patents or other intellectual property of the third party, or a license from TI under the patents or other intellectual property of TI.

Reproduction of information in TI data books or data sheets is permissible only if reproduction is without alteration and is accompanied by all associated warranties, conditions, limitations, and notices. Reproduction of this information with alteration is an unfair and deceptive business practice. TI is not responsible or liable for such altered documentation.

Resale of TI products or services with statements different from or beyond the parameters stated by TI for that product or service voids all express and any implied warranties for the associated TI product or service and is an unfair and deceptive business practice. TI is not responsible or liable for any such statements.

TI products are not authorized for use in safety-critical applications (such as life support) where a failure of the TI product would reasonably be expected to cause severe personal injury or death, unless officers of the parties have executed an agreement specifically governing such use. Buyers represent that they have all necessary expertise in the safety and regulatory ramifications of their applications, and acknowledge and agree that they are solely responsible for all legal, regulatory and safety-related requirements concerning their products and any use of TI products in such safety-critical applications, notwithstanding any applications-related information or support that may be provided by TI. Further, Buyers must fully indemnify TI and its representatives against any damages arising out of the use of TI products in such safety-critical applications.

TI products are neither designed nor intended for use in military/aerospace applications or environments unless the TI products are specifically designated by TI as military-grade or "enhanced plastic." Only products designated by TI as military-grade meet military specifications. Buyers acknowledge and agree that any such use of TI products which TI has not designated as military-grade is solely at the Buyer's risk, and that they are solely responsible for compliance with all legal and regulatory requirements in connection with such use.

TI products are neither designed nor intended for use in automotive applications or environments unless the specific TI products are designated by TI as compliant with ISO/TS 16949 requirements. Buyers acknowledge and agree that, if they use any non-designated products in automotive applications, TI will not be responsible for any failure to meet such requirements.

Following are URLs where you can obtain information on other Texas Instruments products and application solutions:

Products		Applications	
Amplifiers	amplifier.ti.com	Audio	www.ti.com/audio
Data Converters	dataconverter.ti.com	Automotive	www.ti.com/automotive
DSP	dsp.ti.com	Broadband	www.ti.com/broadband
Interface	interface.ti.com	Digital Control	www.ti.com/digitalcontrol
Logic	logic.ti.com	Military	www.ti.com/military
Power Mgmt	power.ti.com	Optical Networking	www.ti.com/opticalnetwork
Microcontrollers	microcontroller.ti.com	Security	www.ti.com/security
RFID	www.ti-rfid.com	Telephony	www.ti.com/telephony
Low Power Wireless	www.ti.com/lpw	Video & Imaging	www.ti.com/video
		Wireless	www.ti.com/wireless

Mailing Address: Texas Instruments, Post Office Box 655303, Dallas, Texas 75265
Copyright © 2007, Texas Instruments Incorporated