

Product Brief

TNETC460x: High-Performance Single-Chip DOCSIS® 2.0 Cable Modem Chip



Texas Instruments' (TI's) TNETC460x is a high-performance cable modem chip with integrated functionality to reduce bill of materials (BOM) costs. Based on a MIPS RISC processor core, the TNETC460x has the processing power to serve in small office/home office (SOHO) broadband network controller applications or as a residential gateway.

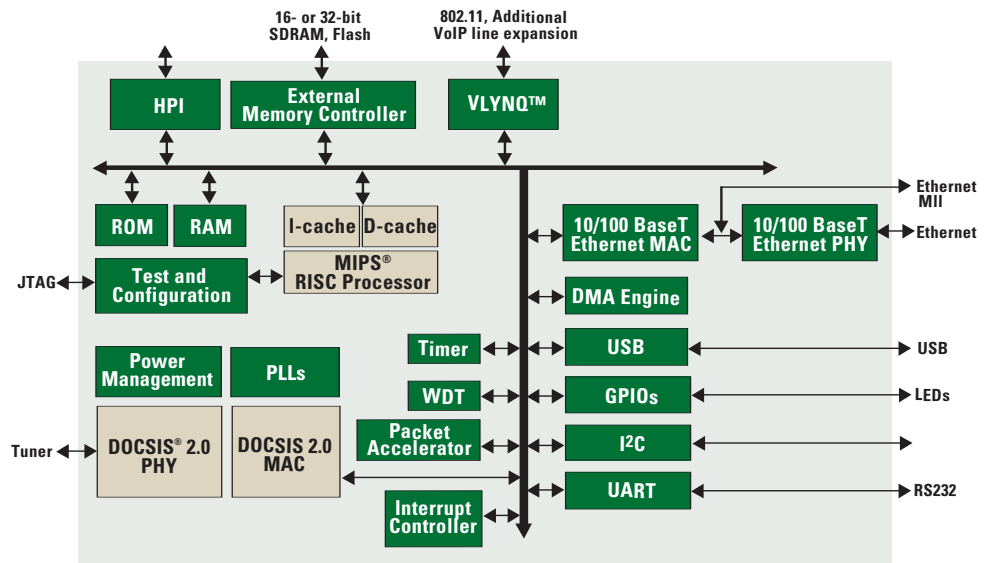
Fully compliant with DOCSIS® standards, the TNETC460x integrates the DOCSIS PHY and MAC. In addition, a range of peripheral interfaces are included on-chip, including 10/100 Ethernet and USB 1.1. Through a six-pin VLYNQ™ high-speed serial interface, the TNETC460x has glueless access to 802.11 wireless local area network (WLAN) devices, digital signal processors (DSP) or other chips offering a wide variety of functionality.

The TNETC460x has a flexible external memory interface (EMIF) to connect with flash and SDRAM.

Software developed for TI's previous-generation cable modem chips, including the TNETC4401, is compatible with the TNETC460x, minimizing development risks and speeding new products to market. Field-approved software on the TNETC4401 will gain fast approval with the TNETC460x chip, giving manufacturers a low-risk path to the market.

Key Benefits

- Integrated high-performance RISC processor
- Supports DOCSIS® 2.0 with A-TDMA and S-CDMA functionality
- Flexible memory interface enabling OEMs with high-performance or low-cost choices, depending on the application
- Lowers system BOM costs through increased integration
- Integrated USB 1.1 on-chip
- Contains VLYNQ™ high-speed serial interface, enabling glueless expansion for additional interface options to TI WLAN and/or DSPs
- Built with software and architecture similarity to previous-generation TI Cable ICs, reducing design risks and shortening time-to-market



TNETC460x Block Diagram

Key Features

- MIPS RISC processor core
- DOCSIS® 2.0-compliant MAC and PHY, including Annex F (European specification addition) and Annex J (Japan)
- DOCSIS and Euro-DOCSIS 1.1/1.0-compliant MAC and PHY
- Flexible external memory interface controller (EMIF)
- 10/100 BaseT Ethernet MAC and PHY
- MII interface for external Ethernet PHY or Switch
- Flexible USB function controller (integrated link layer and PHY)
- On-chip RAM and ROM
- On-chip I-cache and D-cache
- On-chip ADC and DAC
- On-chip upstream amplifier
- Security module supporting IPSEC encryption/decryption
- General purpose DMA channels
- General Purpose Input/Outputs (GPIOs)
- Timers (one configured as watchdog)
- Two 16550 UART modules
- I²C module
- Single-reference crystal
- Interrupt controller
- High-speed VLYNQ™ interface
- Internal pre-programmed ROM enables boot from Flash, SRAM, EPROM via I²C and VLYNQ
- Low power consumption


Important Notice: The products and services of Texas Instruments Incorporated and its subsidiaries described herein are sold subject to TI's standard terms and conditions of sale. Customers are advised to obtain the most current and complete information about TI products and services before placing orders. TI assumes no liability for applications assistance, customer's applications or product designs, software performance, or infringement of patents. The publication of information regarding any other company's products or services does not constitute TI's approval, warranty or endorsement thereof.

Technology for Innovators, the black/red banner and VLYNQ are trademarks of Texas Instruments. DOCSIS is a trademark of Cable Television Laboratories, Inc. All other trademarks are the property of their respective owners.

A042605

© 2005 Texas Instruments Incorporated

Printed in the U.S.A.

 Printed on recycled paper.

 **TEXAS
INSTRUMENTS**

SPAT152