

Test Report: PMP15044

PMP15044 Test Results



System Description

Effectively limiting the input current within a required range is particularly difficult in the super-capacitor (CAP) charge-up circuit. For a boost converter with a large output capacitor, if the initial voltage on the output capacitor is zero, then the inductor current loses control during startup and rises to a high value. Therefore, the input current also rises to a high value. It is easy to exceed the maximum output current capability of the input-power supply. In some applications, such as a USB-supplied system, the input voltage is pulled low or even dropped to zero when the supplied current exceeds the maximum limit. Therefore, users need a solution that can effectively limit the input current in the super-CAP charge-up circuit application.

This test report on the PMP15044 device focuses on the previously listed requirements. Figure 1 shows the block diagram of the PMP15044 device. This solution uses the natural-input current-limit characteristic of the flyback topology. During start-up, even though the initial output voltage of the super CAP is zero, the primary winding current is always limited by the peak-switch current limit of the TPS61087 device. Considering the duty cycle during soft-start, the input current is lower than the peak-switch current-limit value of the TPS61087 device.

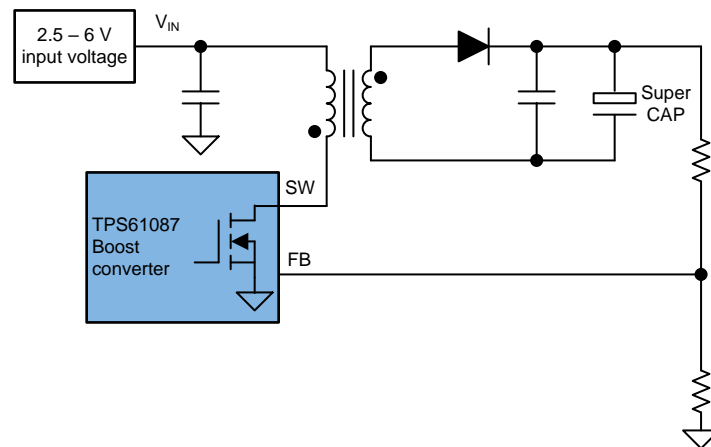


Figure 1. PMP15044 Block Diagram

1 Test Prerequisites

1.1 Voltage and Current Requirements

[Table 1](#) lists the performance specifications of the PMP15044 device. Regardless of how large the capacitive load at the output side, the input current can be effectively limited below 3 A, even during start-up.

Table 1. PMP15044 Specification

PARAMETER	SPECIFICATION
Input-voltage range	2.5 to 6 V
Maximum input current at any condition	3 A
Output voltage	13.5 V
Load	EL CAP / Super CAP

1.2 Required Equipment

- 2.5- to 6.5-V output DC source
- 10-A rating current probe
- Voltage probe
- Oscilloscope

2 Design Theory

2.1 Design Theory

Figure 2 shows the schematic of the PMP15044 schematic, with a 4700- μF capacitor load at the output side. The device is of flyback topology, but the primary winding and secondary winding share the same ground, so the configuration is simple. This flyback inductor does not need reinforced insulation, basic insulation is enough. Therefore, this is a low-cost solution for the super-CAP charge-up circuit application.

The boost converter, TPS61087, always works at the current-limit mode during start-up, before the output voltage reaches the target value. After the output capacitor is fully charged, the TPS61087 device works in the skip mode.

Larger inductance means a larger inductor size. In this design, the TPS61087 device works at the DCM and CCM boundary when the output voltage reaches the target value. The target output voltage is 13.5 V in this test report. Based on the maximum allowable primary-FET voltage stress and leave, around a 20% voltage margin, a NP/NS = 1:4 turns-ratio flyback inductor can be chosen. Then, based on the 4-A current-limit value and 1:4 turns ratio, 0.6- μH primary inductance can be chosen, to let the TPS61087 device work in the DCM and CCM boundary, at a $V_{\text{IN}} = 3.3 \text{ V}$ and $V_{\text{OUT}} = 13.5 \text{ V}$ condition.

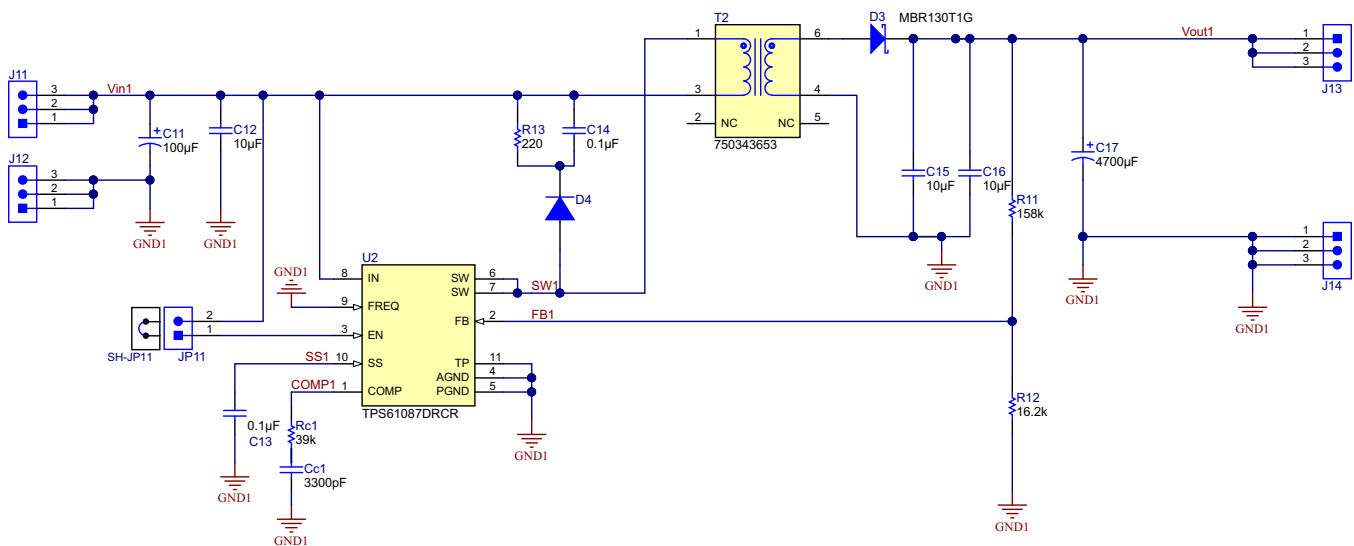


Figure 2. PMP15044 Schematic

2.2 PMP15044 Board Image

Figure 3 shows the board image of the PMP15044 device.

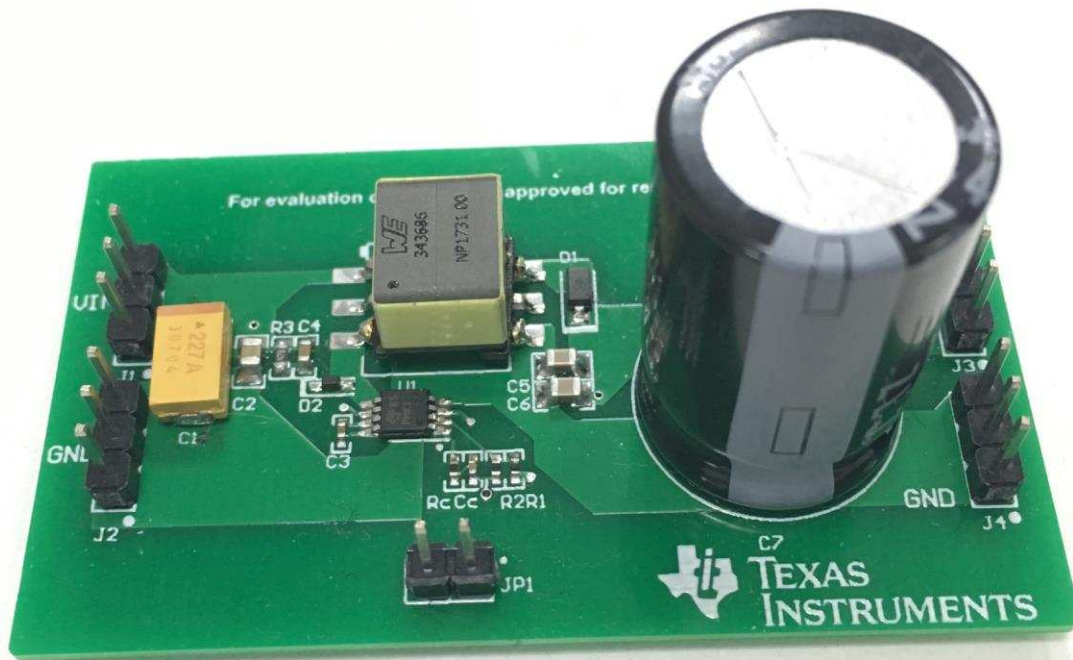


Figure 3. PMP15044 Board Image

3 Test Waveforms

3.1 Start-Up Waveforms

Figure 4 and Figure 5 show the start-up waveforms of VIN and VO, with a 4.7-mF output capacitor and 70-mF output capacitor, respectively. Users can see that regardless of the value of the output capacitance, the maximum input current is limited well below 3 A, which is around 1.3 A in the real test.

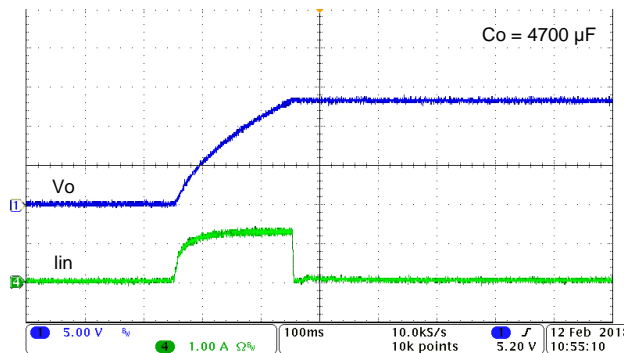


Figure 4. Start-Up Waveforms With 4700-µF Output Capacitor

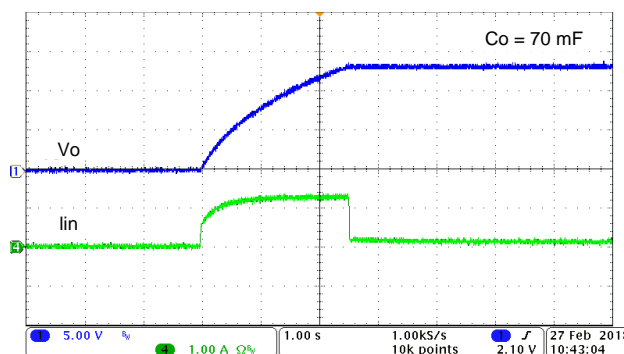


Figure 5. Start-Up Waveforms With 70-mF Output Capacitor

3.2 Switching Waveforms

Figure 6 through Figure 9 show the switching waveform and the primary-current waveform during start-up. Users can see that the TPS61087 device works in the current-limit mode during start-up.

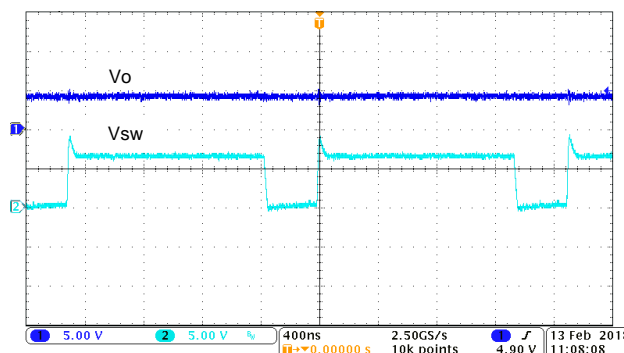


Figure 6. Switching Waveform During Start-Up (VO = 4 V)

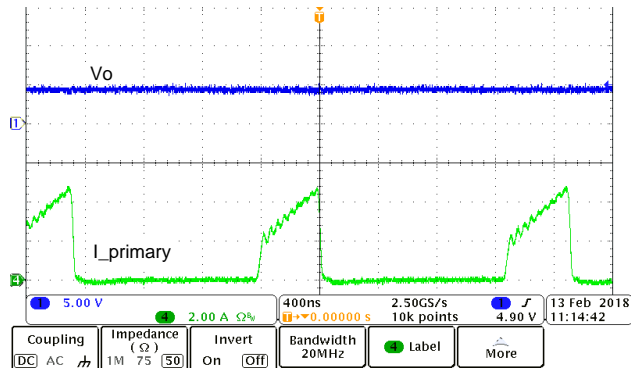


Figure 7. Primary-Current Waveform During Start-Up (VO = 4 V)

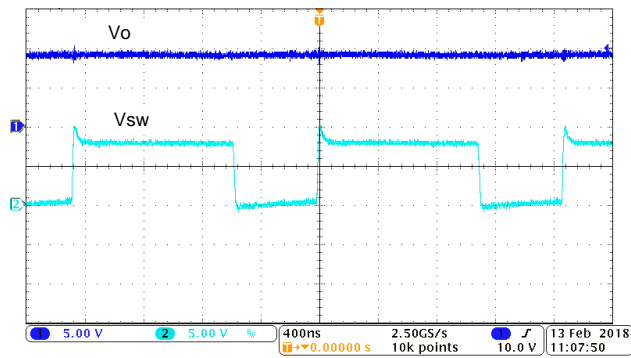


Figure 8. Switching Waveform During Start-Up (VO = 9 V)

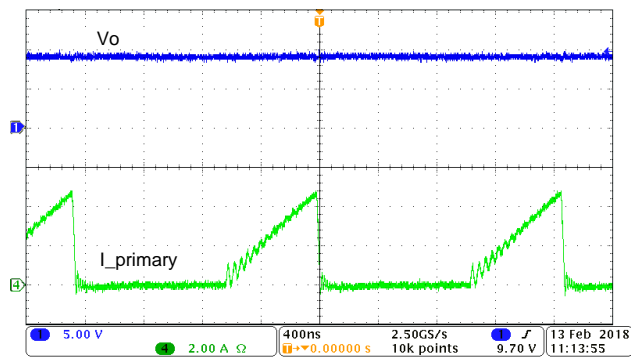


Figure 9. Primary-Current Waveform During Start-Up (VO = 9 V)

3.3 Steady-State Waveforms

Figure 10 shows the output voltage and the primary-current waveform in the steady state after start-up. When the output voltage reaches the target value, the primary current becomes very small.

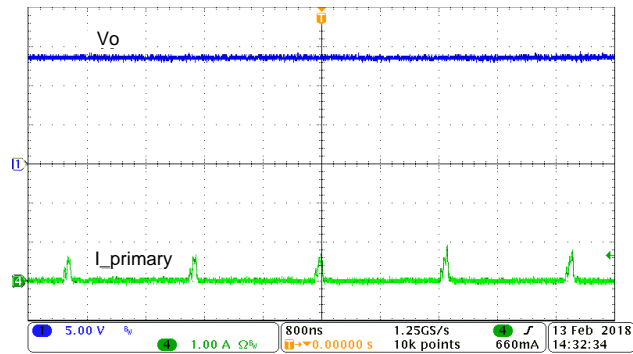


Figure 10. Primary-Current Waveform After Start-Up (VO = 13.5 V)

IMPORTANT NOTICE FOR TI DESIGN INFORMATION AND RESOURCES

Texas Instruments Incorporated ("TI") technical, application or other design advice, services or information, including, but not limited to, reference designs and materials relating to evaluation modules, (collectively, "TI Resources") are intended to assist designers who are developing applications that incorporate TI products; by downloading, accessing or using any particular TI Resource in any way, you (individually or, if you are acting on behalf of a company, your company) agree to use it solely for this purpose and subject to the terms of this Notice.

TI's provision of TI Resources does not expand or otherwise alter TI's applicable published warranties or warranty disclaimers for TI products, and no additional obligations or liabilities arise from TI providing such TI Resources. TI reserves the right to make corrections, enhancements, improvements and other changes to its TI Resources.

You understand and agree that you remain responsible for using your independent analysis, evaluation and judgment in designing your applications and that you have full and exclusive responsibility to assure the safety of your applications and compliance of your applications (and of all TI products used in or for your applications) with all applicable regulations, laws and other applicable requirements. You represent that, with respect to your applications, you have all the necessary expertise to create and implement safeguards that (1) anticipate dangerous consequences of failures, (2) monitor failures and their consequences, and (3) lessen the likelihood of failures that might cause harm and take appropriate actions. You agree that prior to using or distributing any applications that include TI products, you will thoroughly test such applications and the functionality of such TI products as used in such applications. TI has not conducted any testing other than that specifically described in the published documentation for a particular TI Resource.

You are authorized to use, copy and modify any individual TI Resource only in connection with the development of applications that include the TI product(s) identified in such TI Resource. NO OTHER LICENSE, EXPRESS OR IMPLIED, BY ESTOPPEL OR OTHERWISE TO ANY OTHER TI INTELLECTUAL PROPERTY RIGHT, AND NO LICENSE TO ANY TECHNOLOGY OR INTELLECTUAL PROPERTY RIGHT OF TI OR ANY THIRD PARTY IS GRANTED HEREIN, including but not limited to any patent right, copyright, mask work right, or other intellectual property right relating to any combination, machine, or process in which TI products or services are used. Information regarding or referencing third-party products or services does not constitute a license to use such products or services, or a warranty or endorsement thereof. Use of TI Resources may require a license from a third party under the patents or other intellectual property of the third party, or a license from TI under the patents or other intellectual property of TI.

TI RESOURCES ARE PROVIDED "AS IS" AND WITH ALL FAULTS. TI DISCLAIMS ALL OTHER WARRANTIES OR REPRESENTATIONS, EXPRESS OR IMPLIED, REGARDING TI RESOURCES OR USE THEREOF, INCLUDING BUT NOT LIMITED TO ACCURACY OR COMPLETENESS, TITLE, ANY EPIDEMIC FAILURE WARRANTY AND ANY IMPLIED WARRANTIES OF MERCHANTABILITY, FITNESS FOR A PARTICULAR PURPOSE, AND NON-INFRINGEMENT OF ANY THIRD PARTY INTELLECTUAL PROPERTY RIGHTS.

TI SHALL NOT BE LIABLE FOR AND SHALL NOT DEFEND OR INDEMNIFY YOU AGAINST ANY CLAIM, INCLUDING BUT NOT LIMITED TO ANY INFRINGEMENT CLAIM THAT RELATES TO OR IS BASED ON ANY COMBINATION OF PRODUCTS EVEN IF DESCRIBED IN TI RESOURCES OR OTHERWISE. IN NO EVENT SHALL TI BE LIABLE FOR ANY ACTUAL, DIRECT, SPECIAL, COLLATERAL, INDIRECT, PUNITIVE, INCIDENTAL, CONSEQUENTIAL OR EXEMPLARY DAMAGES IN CONNECTION WITH OR ARISING OUT OF TI RESOURCES OR USE THEREOF, AND REGARDLESS OF WHETHER TI HAS BEEN ADVISED OF THE POSSIBILITY OF SUCH DAMAGES.

You agree to fully indemnify TI and its representatives against any damages, costs, losses, and/or liabilities arising out of your non-compliance with the terms and provisions of this Notice.

This Notice applies to TI Resources. Additional terms apply to the use and purchase of certain types of materials, TI products and services. These include; without limitation, TI's standard terms for semiconductor products (<http://www.ti.com/sc/docs/stdterms.htm>), [evaluation modules](#), and [samples](http://www.ti.com/sc/docs/sampterm.htm) (<http://www.ti.com/sc/docs/sampterm.htm>).

Mailing Address: Texas Instruments, Post Office Box 655303, Dallas, Texas 75265
Copyright © 2018, Texas Instruments Incorporated