

INA826EVM

This user's guide describes the characteristics, operation, and use of the evaluation module (EVM) for the INA826. The EVM is designed to evaluate the performance of the device in both single and dual-supply configurations. This document also includes the schematic, printed circuit board (PCB) layouts, and a complete bill of materials (BOM). Throughout this document the terms *evaluation board*, *evaluation module*, and *EVM* are synonymous with the INA826EVM.

Contents

1	Introduction and Overview	2
2	Quick Start	4
3	EVM Components	7
4	Schematic	8
5	Bill of Materials	9
6	Related Documentation from Texas Instruments	9

List of Figures

1	INA826EVM Schematic Side	2
2	INA826EVM Component Side.....	3
3	INA826EVM: Dual-Supply Configuration.....	4
4	INA826EVM: Single-Supply Configuration, Direct REF Connection	5
5	INA826EVM: Single-Supply Configuration, Buffered REF Connection	6
6	INA826EVM Schematic	8

1 Introduction and Overview

1.1 INA826

The [INA826](#) is a low-power, wide-supply voltage instrumentation amplifier that can operate in both single and dual supply configurations. A single external resistor sets the gain from 1 to 1000. The input voltage range extends from the negative power supply to 1.0 V below the positive power supply. The rail-to-rail output allows for use in low-voltage applications. The device operates with a supply voltage between 2.7 V and 36 V and draws a maximum quiescent current of 250 μ A. The device is available in MSOP-8, SO-8, and DFN-8 packages.

1.2 INA826EVM

The INA826EVM is intended to provide basic functional evaluation of the [INA826](#). It provides the following features:

- Intuitive evaluation with the silkscreen schematic
- Easy access to nodes with surface-mount test points
- Advanced evaluation with two prototype areas
- Reference voltage source flexibility
- Convenient input and output filtering

The schematic and component sides of the EVM are shown in [Figure 1](#) and [Figure 2](#), respectively.

NOTE: Board layouts are not to scale. These figures are intended to show how the board is laid out; they are not intended to be used for manufacturing INA826EVM PCBs.

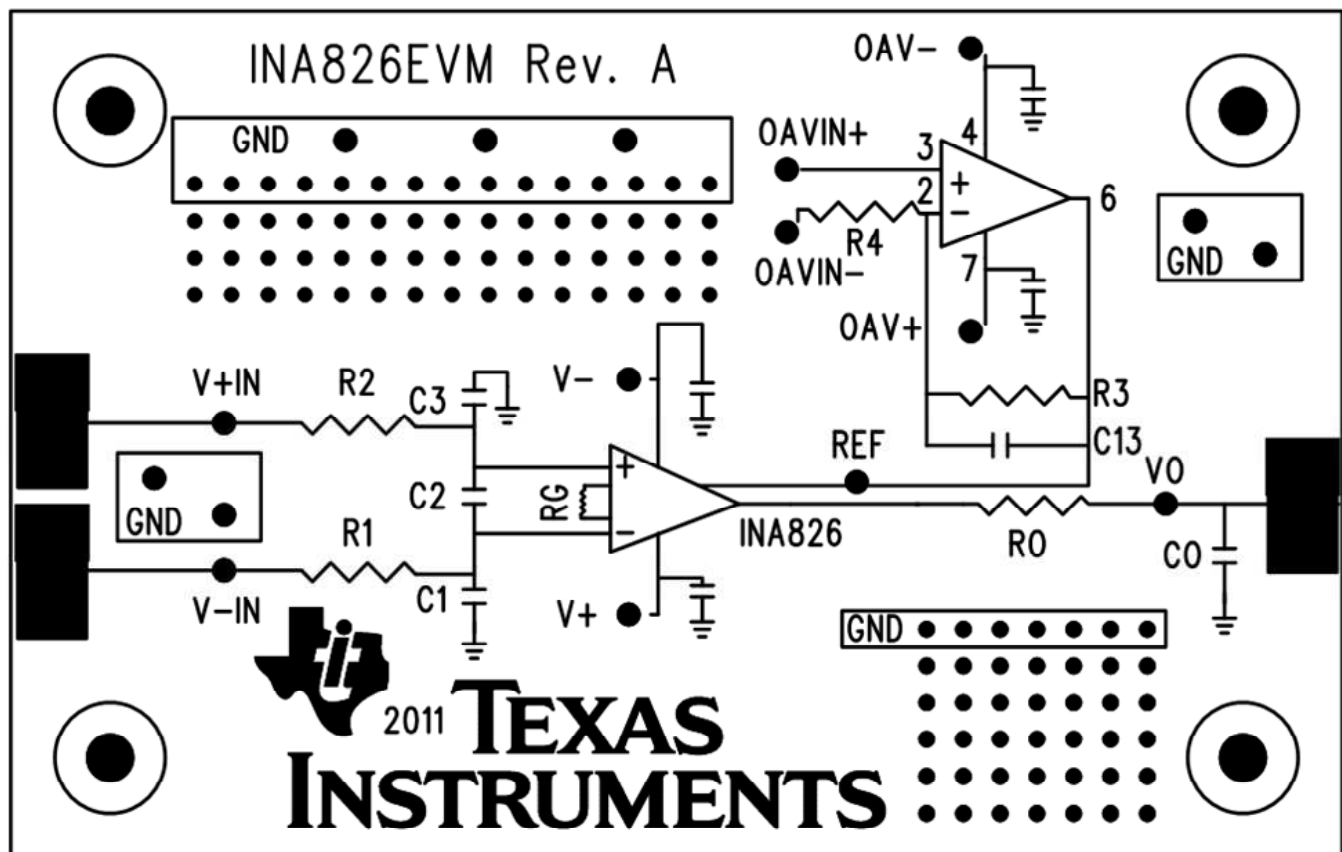


Figure 1. INA826EVM Schematic Side

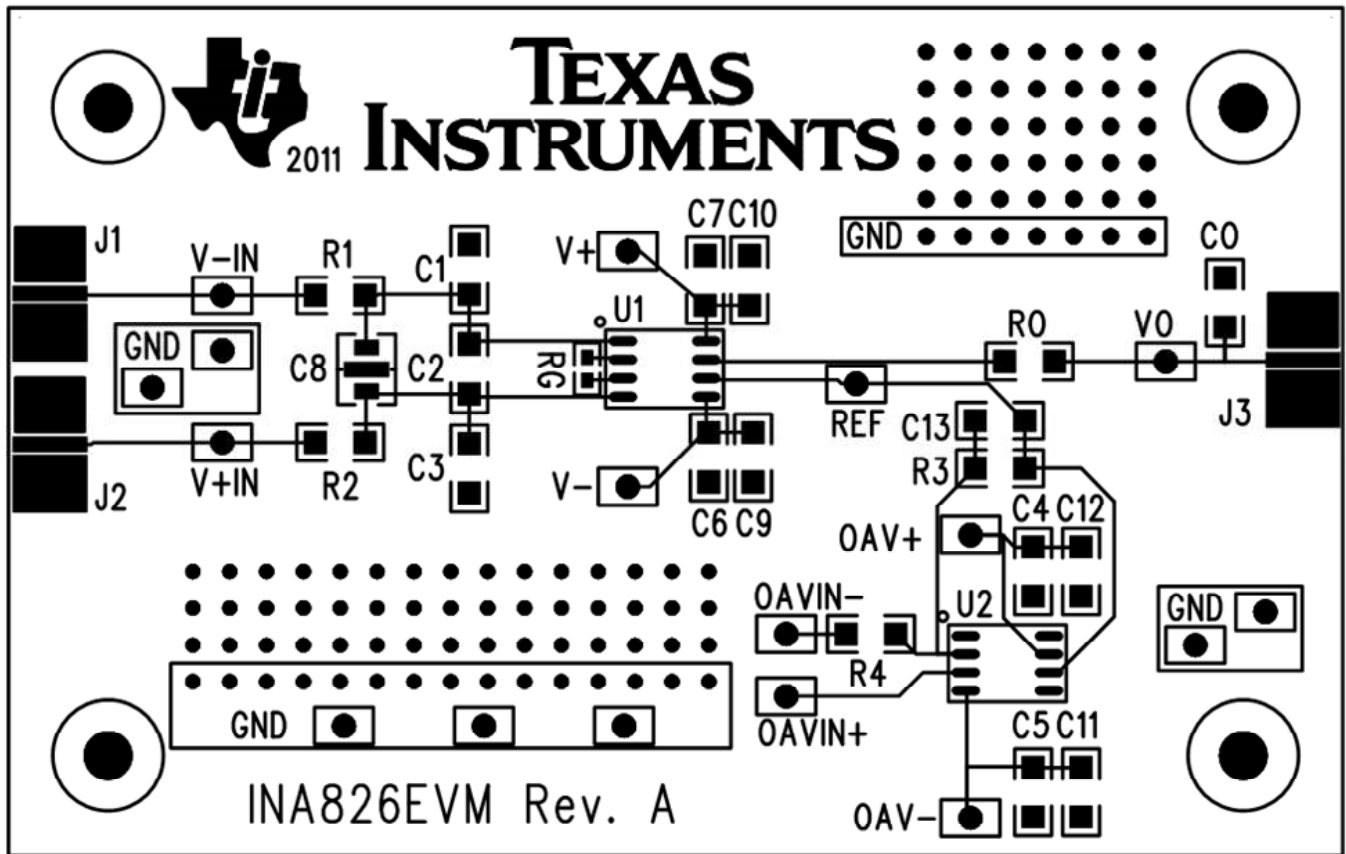


Figure 2. INA826EVM Component Side

2 Quick Start

The procedures presented in this section describe how to quickly set up and use the INA826EVM for evaluation in dual-supply and single-supply configurations.

2.1 Dual Supply

Make the following connections to set up the INA826EVM for dual-supply operation.

1. +15 V to V+ test point
2. -15 V to V- test point
3. Ground to REF test point
4. Differential input (for example, a 1- V_{PP} sine wave) to V-IN and V+IN test points
5. Oscilloscope to VO test point

Ensure that $R_1 = R_2 = R_O = 0 \Omega$ and that R_G and C_O are not populated. [Figure 3](#) depicts a proper dual-supply configuration.

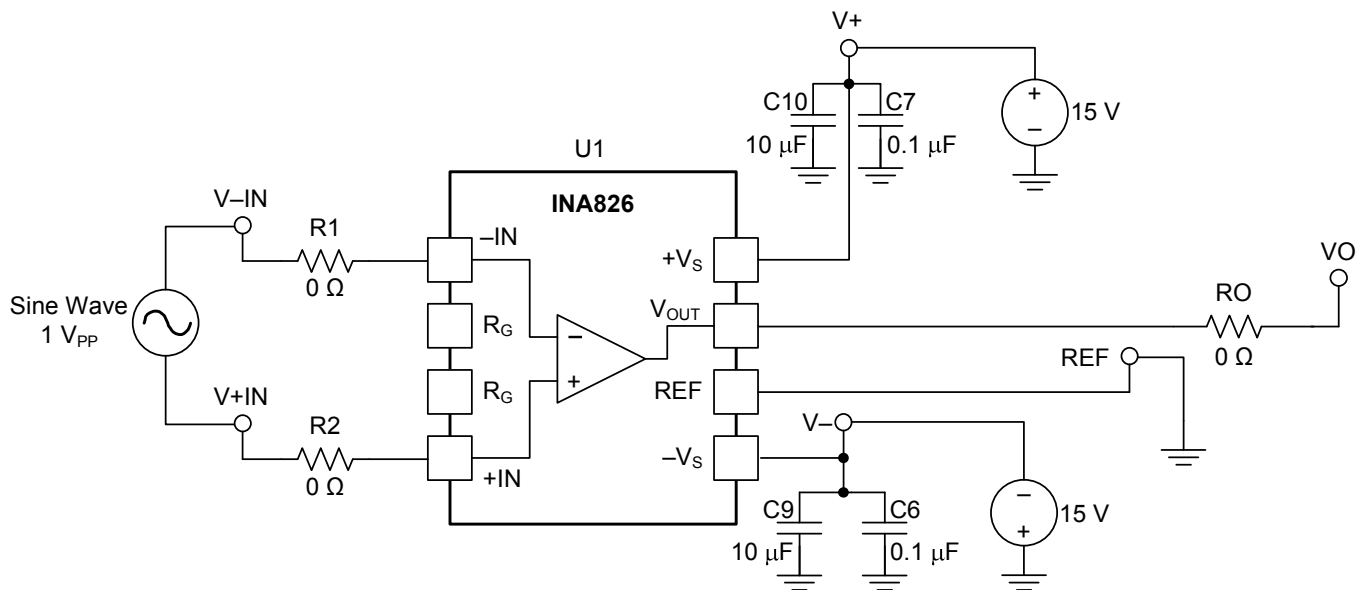


Figure 3. INA826EVM: Dual-Supply Configuration

2.2 Single Supply

Make the following connections to set up the INA826EVM for single-supply operation with a direct connection for the reference voltage.

1. +5 V to V+ test point
2. GND to V- test point
3. +2.5 V to REF test point
4. Differential input (for example, a 1- V_{PP} sine wave) to V-IN and V+IN test points
5. Oscilloscope to VO test point

Ensure that $R_1 = R_2 = R_O = 0 \Omega$ and that R_G and C_O are not populated. [Figure 4](#) depicts a proper single-supply configuration with a direct REF connection.

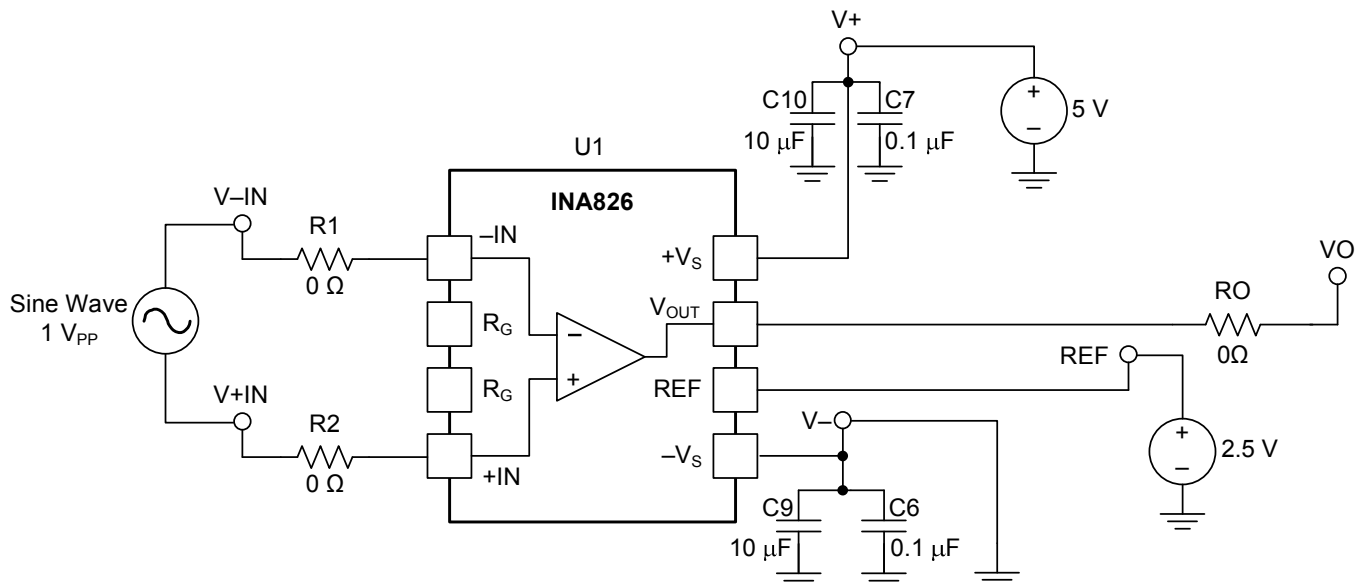


Figure 4. INA826EVM: Single-Supply Configuration, Direct REF Connection

Make the following connections to set up the INA826EVM for single-supply operation with a buffered reference voltage. This example uses an [OPA376](#) as the buffer operational amplifier. Depending on the application, alternate single-supply buffer operational amplifiers include the [OPA330](#) and [OPA378](#). The [OPA277](#) is a good choice for high-voltage applications. The buffered configuration is useful when the source impedance is high (for example, a voltage divider). Buffering a high-impedance source with an operational amplifier provides a low-impedance source, which preserves common-mode rejection.

1. +5 V to V+ and OAV+ test points
2. GND to V- and OAV- test points
3. +2.5 V to OAVIN+ test point
4. Populate R3 with a 0-Ω resistor
5. Populate C4, C5, C11, and C12 with bypass capacitors
6. Differential input (for example, a 1-V_{PP} sine wave) to V-IN and V+IN test points
7. Oscilloscope to VO test point

Ensure that R1 = R2 = R_O = 0 Ω and that R_G, C_O, and R4 are not populated. [Figure 5](#) depicts a proper dual-supply configuration with a buffered REF voltage.

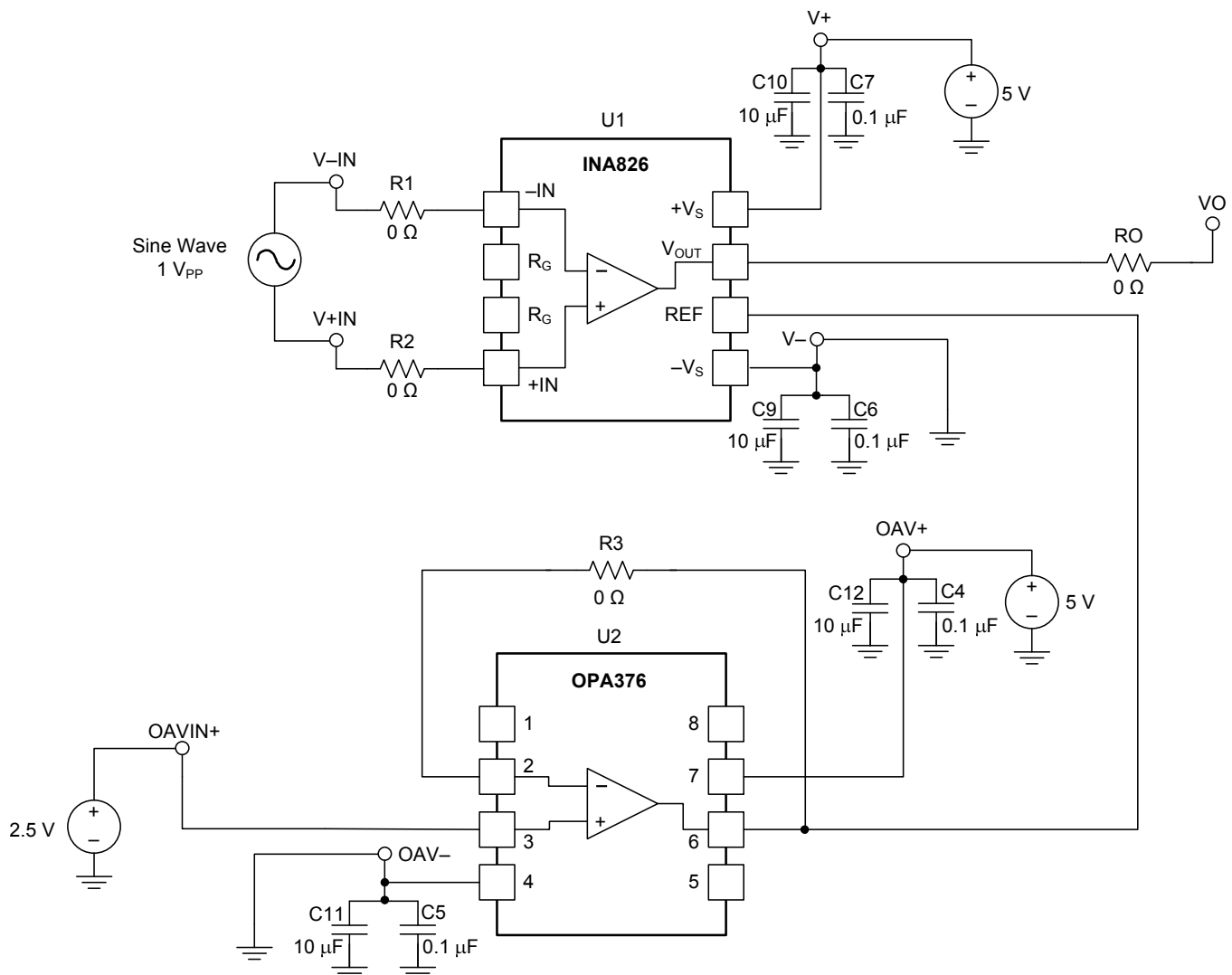


Figure 5. INA826EVM: Single-Supply Configuration, Buffered REF Connection

3 EVM Components

This section summarizes the INA826EVM components.

3.1 Power

Power is applied to the INA826 with test points V+ and V-. For the unpopulated device (U2), power is applied using test points OAV+ and OAV-.

3.2 Inputs

Inputs are applied to the INA826 using test points V+IN and V-IN. Alternately, they can be applied by populating the input SMA connectors (J1 and J2). The inputs for U2 are applied via test points OAVIN+ and OAVIN-.

3.2.1 Input Filtering

R1, R2, and C1 through C3 provide the ability to apply common-mode and differential-mode filtering to the inputs. The cutoff frequencies for the filters are shown in [Equation 1](#) and [Equation 2](#). It is recommended to make C2 approximately ten times larger than C1 and C3. These calculations presume R1 = R2 and C1 = C3.

Common-mode cutoff frequency:

$$f_{c-cm} = \frac{1}{2\pi \cdot R1 \cdot C1} \quad (1)$$

Differential-mode cutoff frequency:

$$f_{c-dm} = \frac{1}{2\pi(R1 + R2)\left(C2 + \frac{C1}{2}\right)} \quad (2)$$

3.3 Outputs

The output of the INA826 can be accessed with test point VO. Alternately, it can be accessed by populating the output SMA connector (J3).

3.3.1 Output Filtering

RO and CO provide the ability to apply a single-pole RC output filter. The cutoff frequency of the output filter can be calculated as shown in [Equation 3](#).

$$f_{c-o} = \frac{1}{2\pi \cdot RO \cdot CO} \quad (3)$$

3.4 Reference

There are multiple methods of applying a reference voltage to the INA826. A straightforward approach is to apply a voltage to the REF test point with U2 not populated. If a buffered voltage is desired, U2 can be populated with an operational amplifier in an appropriate SO-8 package and pinout.

3.5 Prototype Area

Two prototype areas are provided for flexible evaluation. For example, they could be used to prototype a voltage divider for a buffered reference voltage or to supply a direct reference voltage with a device such as the [REF3225](#).

3.6 Miscellaneous

C6, C7, C9, and C10 are the supply bypass capacitors for the INA826. Similarly, C4, C5, C11, and C12 can be populated to provide supply bypassing for U2. C8 is available for the use of an X2Y® capacitor.

4 Schematic

4.1 Schematic

Figure 6 shows the schematic for the INA826EVM PCB.

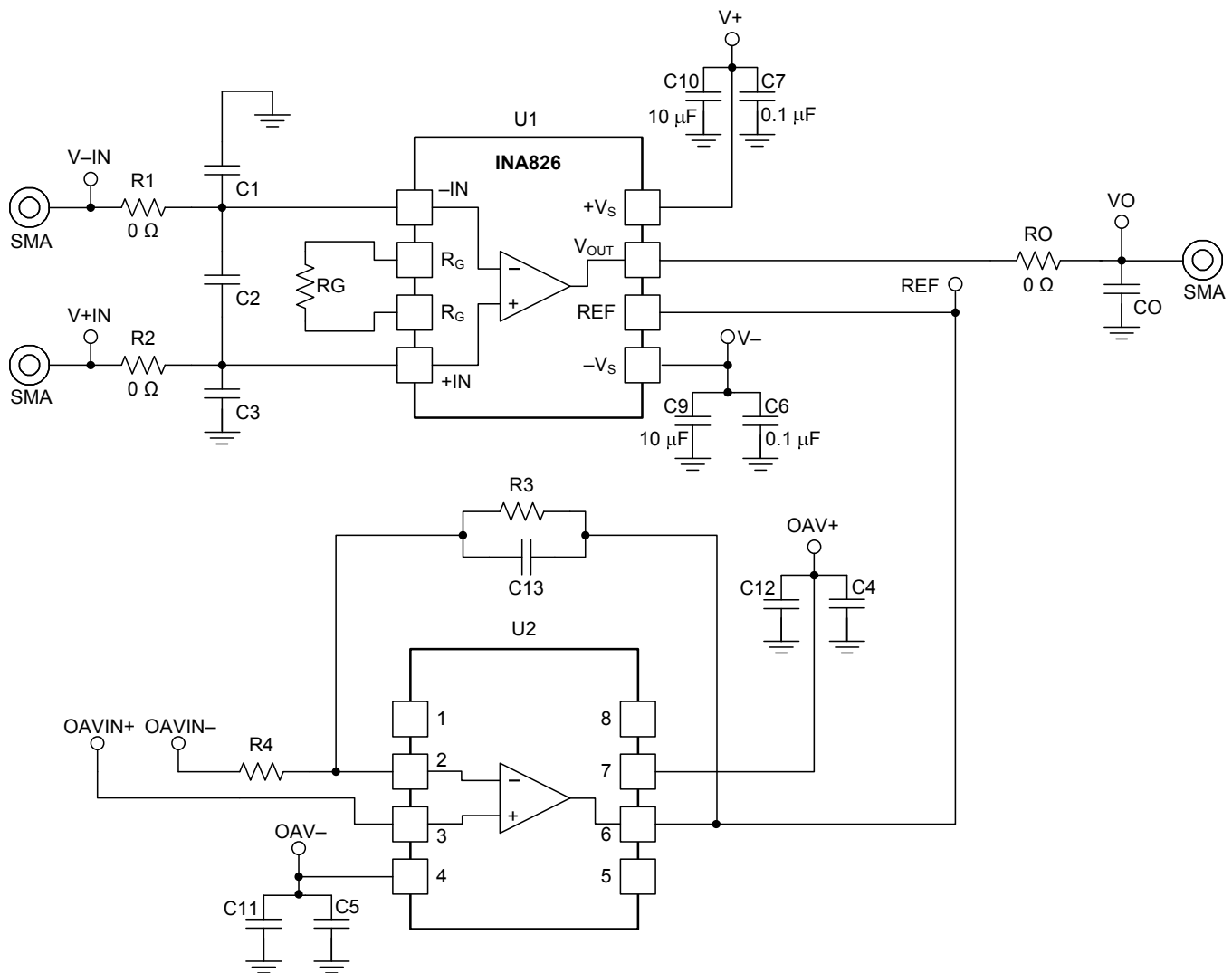


Figure 6. INA826EVM Schematic

5 Bill of Materials

Table 1 provides the parts list for the INA826EVM.

Table 1. INA826EVM Bill of Materials

Count	RefDes	Value	Description	Part Number	MFR
1	U1	N/A	INA826, SO-8	INA826	Texas Instruments
3	R1, R2, RO	0 Ω	Resistor, 1/4W, 1206	RMCF1206ZT0R00	Stackpole Electronics
2	C9, C10	10 μF	Ceramic bypass capacitors, 50 V, X5R, 10%, 1206	GRM31CR61H106KA2L	Murata
2	C6, C7	0.1 μF	Ceramic bypass capacitors, 50 V, X7R, 20%, 1206	12065C104MAT2A	AVX Corporation
34	Various	N/A	Surface Mount Test Points	5015	Keystone Electronics
8	N/A	N/A	Bumpon, cylindrical, 0.375 X 0.135, Black	SJ61A8	3M

6 Related Documentation from Texas Instruments

The following documents provide information regarding Texas Instruments' integrated circuits and support tools for the INA826EVM. This user's guide is available from the TI web site under literature number **SBOU115**. Any letter appended to the literature number corresponds to the document revision that is current at the time of the writing of this document. Newer revisions may be available from the [TI web site](#), or call the Texas Instruments' Literature Response Center at (800) 477-8924 or the Product Information Center at (972) 644-5580. When ordering, identify the document by both title and literature number.

Related Documentation

Document	Literature Number
INA826 Product Data Sheet	SBOS562
OPA376 Product Data Sheet	SBOS406
OPA277 Product Data Sheet	SBOS079
OPA330 Product Data Sheet	SBOS432
OPA378 Product Data Sheet	SBOS417
REF3225 Product Data Sheet	SBVS058

Revision History

Changes from A Revision (September 2011) to B Revision	Page
• Updated description of input voltage range in <i>INA826</i> section	2

NOTE: Page numbers for previous INAs revisions may differ from page numbers in the current version.

Evaluation Board/Kit Important Notice

Texas Instruments (TI) provides the enclosed product(s) under the following conditions:

This evaluation board/kit is intended for use for **ENGINEERING DEVELOPMENT, DEMONSTRATION, OR EVALUATION PURPOSES ONLY** and is not considered by TI to be a finished end-product fit for general consumer use. Persons handling the product(s) must have electronics training and observe good engineering practice standards. As such, the goods being provided are not intended to be complete in terms of required design-, marketing-, and/or manufacturing-related protective considerations, including product safety and environmental measures typically found in end products that incorporate such semiconductor components or circuit boards. This evaluation board/kit does not fall within the scope of the European Union directives regarding electromagnetic compatibility, restricted substances (RoHS), recycling (WEEE), FCC, CE or UL, and therefore may not meet the technical requirements of these directives or other related directives.

Should this evaluation board/kit not meet the specifications indicated in the User's Guide, the board/kit may be returned within 30 days from the date of delivery for a full refund. **THE FOREGOING WARRANTY IS THE EXCLUSIVE WARRANTY MADE BY SELLER TO BUYER AND IS IN LIEU OF ALL OTHER WARRANTIES, EXPRESSED, IMPLIED, OR STATUTORY, INCLUDING ANY WARRANTY OF MERCHANTABILITY OR FITNESS FOR ANY PARTICULAR PURPOSE.**

The user assumes all responsibility and liability for proper and safe handling of the goods. Further, the user indemnifies TI from all claims arising from the handling or use of the goods. Due to the open construction of the product, it is the user's responsibility to take any and all appropriate precautions with regard to electrostatic discharge.

EXCEPT TO THE EXTENT OF THE INDEMNITY SET FORTH ABOVE, NEITHER PARTY SHALL BE LIABLE TO THE OTHER FOR ANY INDIRECT, SPECIAL, INCIDENTAL, OR CONSEQUENTIAL DAMAGES.

TI currently deals with a variety of customers for products, and therefore our arrangement with the user **is not exclusive.**

TI assumes **no liability for applications assistance, customer product design, software performance, or infringement of patents or services described herein.**

Please read the User's Guide and, specifically, the Warnings and Restrictions notice in the User's Guide prior to handling the product. This notice contains important safety information about temperatures and voltages. For additional information on TI's environmental and/or safety programs, please contact the TI application engineer or visit www.ti.com/esh.

No license is granted under any patent right or other intellectual property right of TI covering or relating to any machine, process, or combination in which such TI products or services might be or are used.

FCC Warning

This evaluation board/kit is intended for use for **ENGINEERING DEVELOPMENT, DEMONSTRATION, OR EVALUATION PURPOSES ONLY** and is not considered by TI to be a finished end-product fit for general consumer use. It generates, uses, and can radiate radio frequency energy and has not been tested for compliance with the limits of computing devices pursuant to part 15 of FCC rules, which are designed to provide reasonable protection against radio frequency interference. Operation of this equipment in other environments may cause interference with radio communications, in which case the user at his own expense will be required to take whatever measures may be required to correct this interference.

EVM Warnings and Restrictions

It is important to operate this EVM within the input voltage range of -18 V to $+17\text{ V}$ and the output voltage range of -14 V to $+14\text{ V}$.

Exceeding the specified input range may cause unexpected operation and/or irreversible damage to the EVM. If there are questions concerning the input range, please contact a TI field representative prior to connecting the input power.

Applying loads outside of the specified output range may result in unintended operation and/or possible permanent damage to the EVM. Please consult the EVM User's Guide prior to connecting any load to the EVM output. If there is uncertainty as to the load specification, please contact a TI field representative.

During normal operation, some circuit components may have case temperatures greater than $+30^{\circ}\text{C}$. The EVM is designed to operate properly with certain components above $+30^{\circ}\text{C}$ as long as the input and output ranges are maintained. These components include but are not limited to linear regulators, switching transistors, pass transistors, and current sense resistors. These types of devices can be identified using the EVM schematic located in the EVM User's Guide. When placing measurement probes near these devices during operation, please be aware that these devices may be very warm to the touch.

Mailing Address: Texas Instruments, Post Office Box 655303, Dallas, Texas 75265
Copyright © 2011, Texas Instruments Incorporated

IMPORTANT NOTICE

Texas Instruments Incorporated and its subsidiaries (TI) reserve the right to make corrections, modifications, enhancements, improvements, and other changes to its products and services at any time and to discontinue any product or service without notice. Customers should obtain the latest relevant information before placing orders and should verify that such information is current and complete. All products are sold subject to TI's terms and conditions of sale supplied at the time of order acknowledgment.

TI warrants performance of its hardware products to the specifications applicable at the time of sale in accordance with TI's standard warranty. Testing and other quality control techniques are used to the extent TI deems necessary to support this warranty. Except where mandated by government requirements, testing of all parameters of each product is not necessarily performed.

TI assumes no liability for applications assistance or customer product design. Customers are responsible for their products and applications using TI components. To minimize the risks associated with customer products and applications, customers should provide adequate design and operating safeguards.

TI does not warrant or represent that any license, either express or implied, is granted under any TI patent right, copyright, mask work right, or other TI intellectual property right relating to any combination, machine, or process in which TI products or services are used. Information published by TI regarding third-party products or services does not constitute a license from TI to use such products or services or a warranty or endorsement thereof. Use of such information may require a license from a third party under the patents or other intellectual property of the third party, or a license from TI under the patents or other intellectual property of TI.

Reproduction of TI information in TI data books or data sheets is permissible only if reproduction is without alteration and is accompanied by all associated warranties, conditions, limitations, and notices. Reproduction of this information with alteration is an unfair and deceptive business practice. TI is not responsible or liable for such altered documentation. Information of third parties may be subject to additional restrictions.

Resale of TI products or services with statements different from or beyond the parameters stated by TI for that product or service voids all express and any implied warranties for the associated TI product or service and is an unfair and deceptive business practice. TI is not responsible or liable for any such statements.

TI products are not authorized for use in safety-critical applications (such as life support) where a failure of the TI product would reasonably be expected to cause severe personal injury or death, unless officers of the parties have executed an agreement specifically governing such use. Buyers represent that they have all necessary expertise in the safety and regulatory ramifications of their applications, and acknowledge and agree that they are solely responsible for all legal, regulatory and safety-related requirements concerning their products and any use of TI products in such safety-critical applications, notwithstanding any applications-related information or support that may be provided by TI. Further, Buyers must fully indemnify TI and its representatives against any damages arising out of the use of TI products in such safety-critical applications.

TI products are neither designed nor intended for use in military/aerospace applications or environments unless the TI products are specifically designated by TI as military-grade or "enhanced plastic." Only products designated by TI as military-grade meet military specifications. Buyers acknowledge and agree that any such use of TI products which TI has not designated as military-grade is solely at the Buyer's risk, and that they are solely responsible for compliance with all legal and regulatory requirements in connection with such use.

TI products are neither designed nor intended for use in automotive applications or environments unless the specific TI products are designated by TI as compliant with ISO/TS 16949 requirements. Buyers acknowledge and agree that, if they use any non-designated products in automotive applications, TI will not be responsible for any failure to meet such requirements.

Following are URLs where you can obtain information on other Texas Instruments products and application solutions:

Products

Audio	www.ti.com/audio
Amplifiers	amplifier.ti.com
Data Converters	dataconverter.ti.com
DLP® Products	www.dlp.com
DSP	dsp.ti.com
Clocks and Timers	www.ti.com/clocks
Interface	interface.ti.com
Logic	logic.ti.com
Power Mgmt	power.ti.com
Microcontrollers	microcontroller.ti.com
RFID	www.ti-rfid.com
OMAP Mobile Processors	www.ti.com/omap
Wireless Connectivity	www.ti.com/wirelessconnectivity

Applications

Communications and Telecom	www.ti.com/communications
Computers and Peripherals	www.ti.com/computers
Consumer Electronics	www.ti.com/consumer-apps
Energy and Lighting	www.ti.com/energy
Industrial	www.ti.com/industrial
Medical	www.ti.com/medical
Security	www.ti.com/security
Space, Avionics and Defense	www.ti.com/space-avionics-defense
Transportation and Automotive	www.ti.com/automotive
Video and Imaging	www.ti.com/video

TI E2E Community Home Page

e2e.ti.com

Mailing Address: Texas Instruments, Post Office Box 655303, Dallas, Texas 75265
Copyright © 2011, Texas Instruments Incorporated