

TPS65288 High Current, Synchronous Step Down Three Buck Switcher Evaluation Module with Two USB Switches

This document presents the information required to power the TPS65288 PMIC as well as the support documentation including schematic and bill of materials.

Contents

1	Background	2
2	Schematic	2
3	Board Layout	4
3.1	EVM Layout	4
4	Bench Test Setup Conditions	6
4.1	Jumpers and Switches	6
4.2	Test Points and Placement	7
5	Power-Up Procedure	7
6	Bill of Materials	8

List of Figures

1	TPS65288 Schematic	3
2	Placement	4
3	Board Layout (Top Layer).....	4
4	Board Layout (Middle 2 nd) Layer	4
5	Board Layout (Middle 3 rd) Layer.....	5
6	Board Layout (Bottom Layer).....	5
7	Headers Description and Jumper Placement	6

1 Background

The TPS65288 PMIC is designed to provide 3, 2 and 2 A continuous outputs with an operational range of 4.5 to 18V and an externally set switching frequency ranging from 300kHz to 2.2MHz, with automatic PFM/PWM operation. When the PMIC is not fully loaded, buck1 can be loaded to 3.5A and buck 2 and 3 to 2.5A. The device also features two USB distribution switches.

As there are many possible options to set the converters, [Table 1](#) presents the performance specification summary for the EVM.

Table 1. Input Voltage and Output Current Summary

EVM	Test Conditions	Output Current Range
TPS65288EVM	$V_{in} = 4.5 \text{ V to } 18 \text{ V}$ $F_{sw} = 500 \text{ kHz}$	Buck1, 1.2V, 3A Buck2, 1.8V, 2A Buck3, 3.3V, 2A (25°C ambient)

This evaluation module is designed to provide access to the features of the TPS65288. Some modifications can be made to this module to test performance at different input and output voltages, current and frequency operation. Contact TI Field Applications Group for advice on these matters.

2 Schematic

The resistor and capacitor values have been chosen according to the guidelines presented on the TPS65288 spec. Note that for the purpose of gains-phase measurements R14, R17 and R37 (zero ohm on the EVM) need to be replaced by suitable low value resistors as per the network analyzer setup required. Test points connections are provided on either end of the resistors to allow for easy measurement. (See next page)

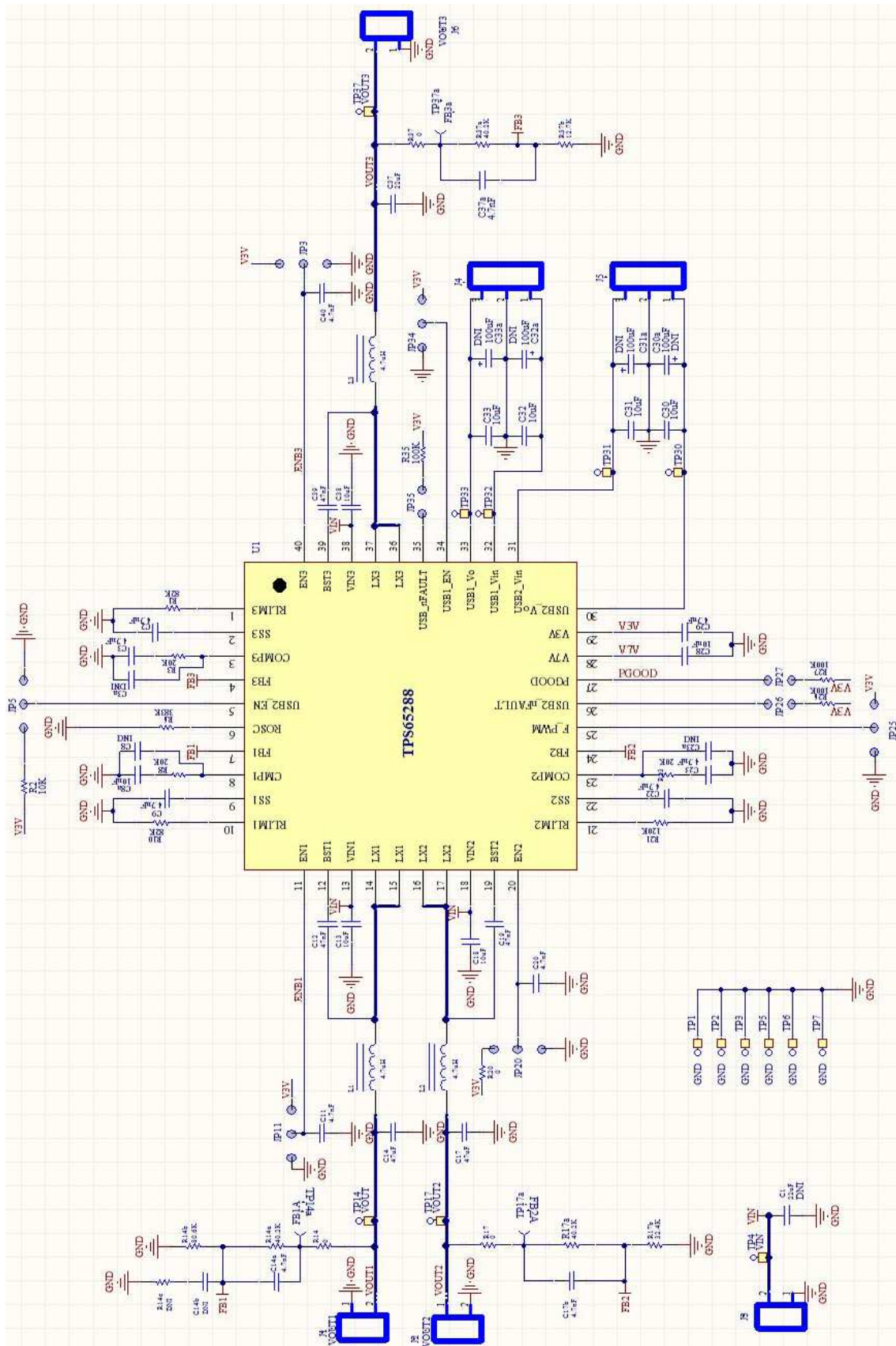


Figure 1. TPS65288 Schematic

3 Board Layout

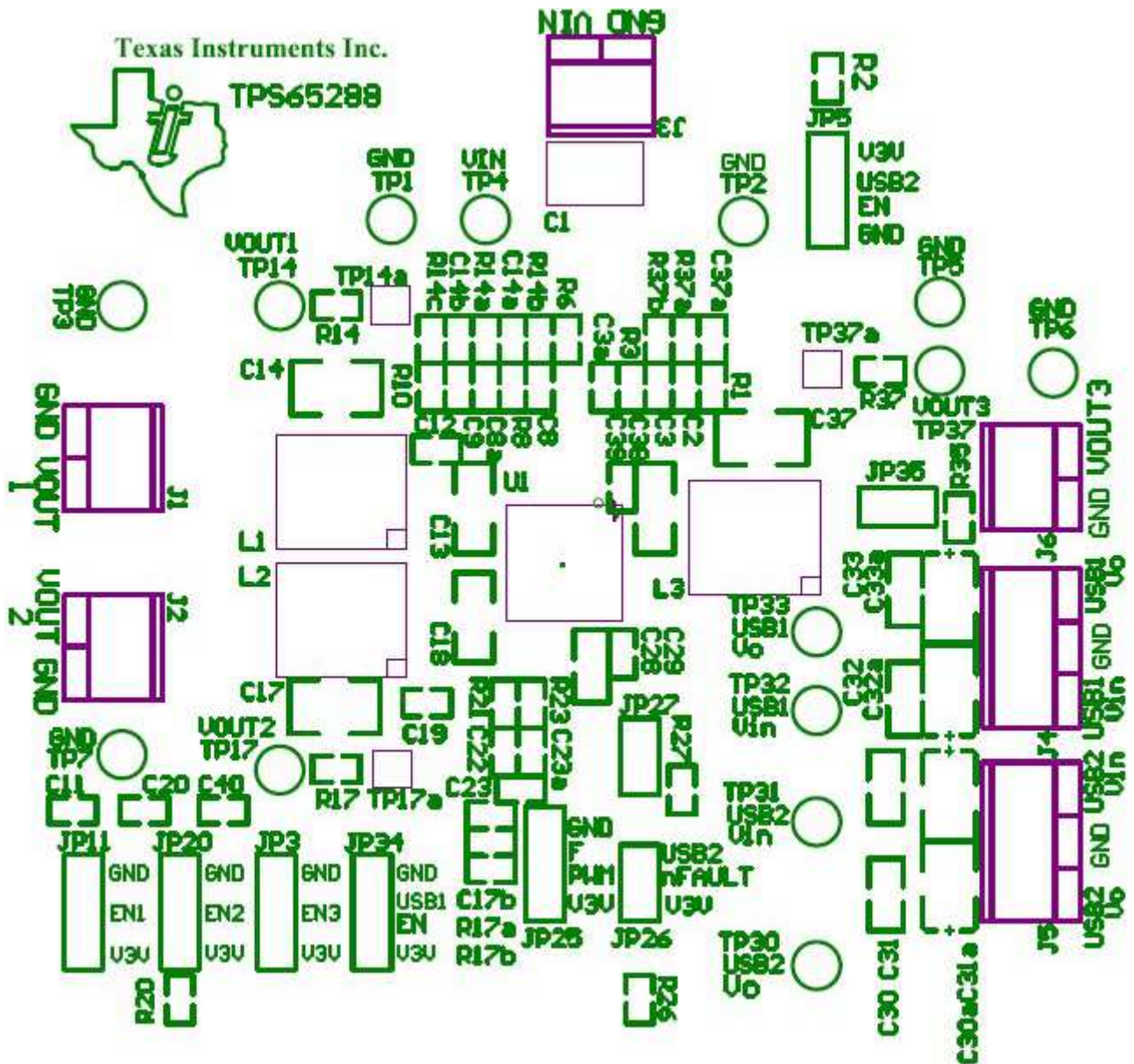


Figure 2. Placement

3.1 EVM Layout

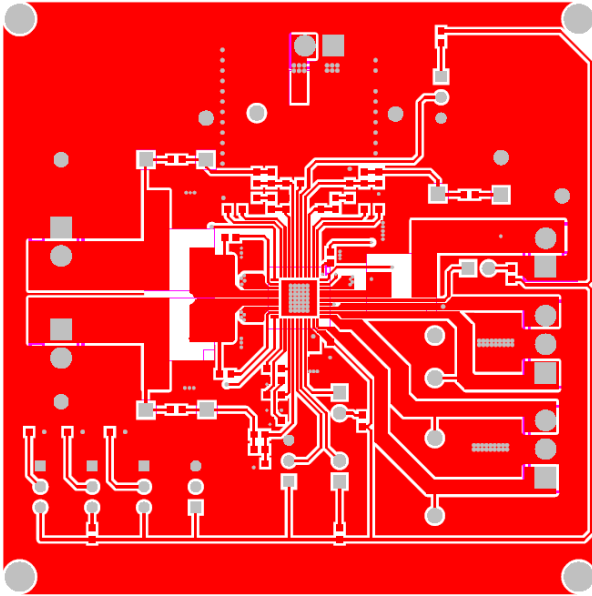


Figure 3. Board Layout (Top Layer)

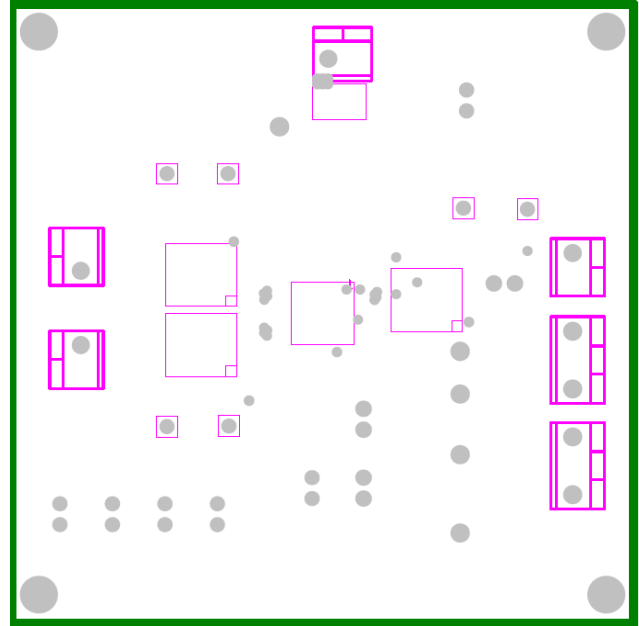


Figure 4. Board Layout (Middle 2nd) Layer

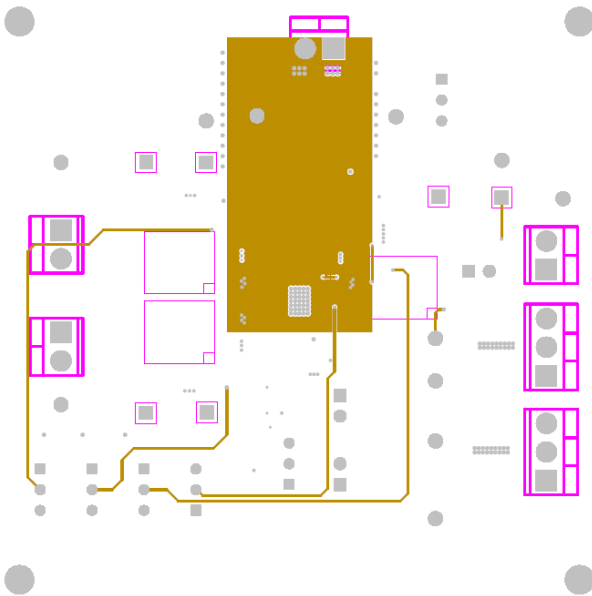


Figure 5. Board Layout (Middle 3rd) Layer

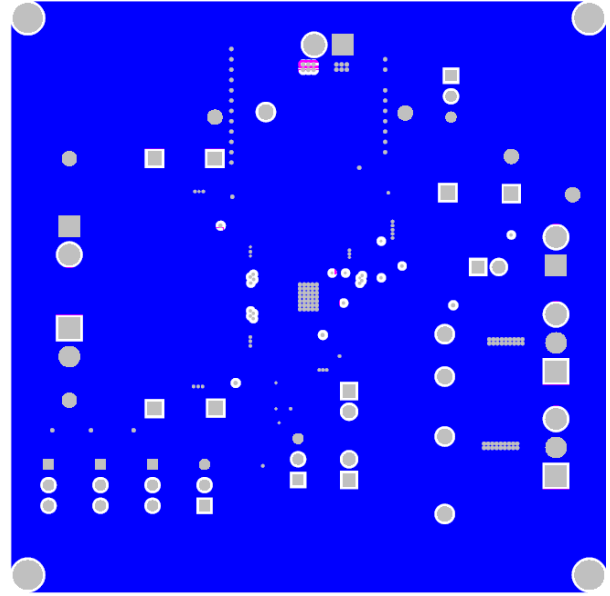


Figure 6. Board Layout (Bottom Layer)

4 Bench Test Setup Conditions

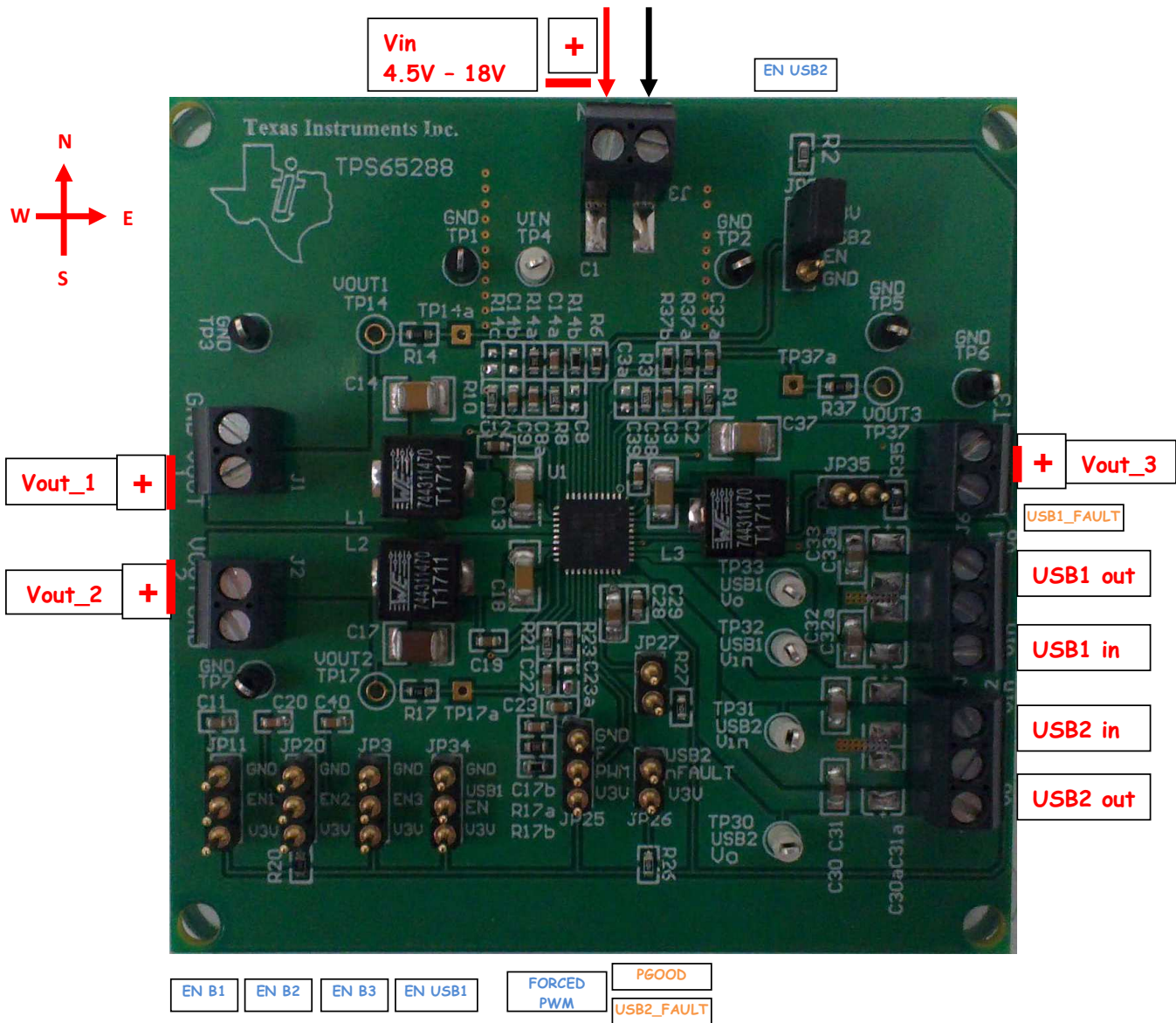


Figure 7. Headers Description and Jumper Placement

4.1 Jumpers and Switches

Number	Function	LOC	Placement	Comment
JP11	BUCK1 enable (EN1)	SW	For immediate start-up fit jumper to V3V For sequencing do not fit jumper To disable converter fit jumper to GND	Fit according to test requirement
JP20	BUCK2 enable (EN2)	SW	For immediate start-up fit jumper to V3V For sequencing do not fit jumper To disable converter fit jumper to GND	Fit according to test requirement
JP3	BUCK3 enable (EN3)	SW	For immediate start-up fit jumper to V3V For sequencing do not fit jumper To disable converter fit jumper to GND	Fit according to test requirement

Number	Function	LOC	Placement	Comment
JP25	Forced PWM (F_PWM)	S	For forced PWM operation fit jumper to V3V For automatic PFM/PWM operation fit jumper to GND	Do not leave this header open. Use a jumper to set either forced PWM mode or automatic PFM/PWM mode
JP34	USB1 enable (USB1EN)	SW	For automatic start-up fit jumper to V3V To disable SWITCH fit jumper to GND	Fit according to test requirement
JP35	USB1_nFAULT	E	USB fault indicator pulled to 3V3	Fit according to test requirement
JP5	USB2 enable (USB2EN)	NE	For automatic start-up fit jumper to V3V To disable SWITCH fit jumper to GND	Fit according to test requirement
JP26	USB2_nFAULT	S	USB2 fault indicator pulled to 3V3	Fit according to test requirement
JP27	PGOOD	S	PGOOD indicated pulled to 3V3	Fit according to test requirement

4.2 Test Points and Placement

Buck converter outputs are white and have a label for easy location. Close to any of these test points there are black ground test points to allow for DVM measurement or to use a metal exposed scope probe to reduce common mode noise measurements. All test points are described in the following table:

TP	Name	Signal	Color	Comment
TP1	GND	GND	Black	
TP2	GND	GND	Black	
TP3	GND	GND	Black	
TP4	Vin	Vin	White	
TP5	GND	GND	Black	
TP6	GND	GND	Black	
TP7	GND	GND	Black	
TP14	Vout1	Output voltage Buck1	Not fitted	
TP14a		Injection Point gain-phase measurement buck1	Not fitted	Normally not used
TP17	Vout1	Output voltage Buck2	Not fitted	
TP17a		Injection Point gain-phase measurement buck2	Not fitted	Normally not used
TP37	Vout1	Output voltage Buck3	Not fitted	
TP37a		Injection Point gain-phase measurement buck3	Not fitted	Normally not used
TP32	USB1_Vin	USB1 switch input	White	
TP33	USB1_Vo	USB1 switch output	White	
TP31	USB2_Vin	USB2 switch input	White	
TP30	USB2_Vo	USB2 switch output	White	

5 Power-Up Procedure

1. Define which converters are to be enabled or disabled by connecting jumpers to JP3, JP11 and JP20 accordingly, or to wiring external drive signals to the ENx headers.
2. If PGOOD signal is required connect JP27 or wire the PGOOD pin to a pull-up supply
3. Define the strategy to enable the USB switches, either with jumpers or external drive signals to the USBENx pins
4. If USBx_nFAULT signals are required connect JP26 and J35 jumpers or wire the alarms pin to a pull-up supply
5. Connect loads to the output connectors.
6. Apply a DC voltage to header J3. Polarity is marked on the silk-screen.
7. Converters will start according to the setting on JP3, JP11 and JP20. Check the outputs
8. To power the USB switches apply a DC voltage to JP4 and JP5. Enable the switches with JP5 and JP34. Check the outputs

6 Bill of Materials

Qty	Designator	Value	Footprint	Description	Comment
1	C1	22uF	1812	CAP CERAMIC 22UF 25V X5R 1210	DNI
12	C2, C3, C8a, C9, C11, C14a, C17b, C20, C22, C23, C37a, C40	4.7nF	603	CAP 4700PF 50V CERAMIC X7R 0603	
3	C3a, C8, C23a		603		DNI
3	C12, C19, C39	47nF	603	CAP 47000PF 25V CERM X7R 0603	
3	C13, C18, C38	10uF	1206	CAP CERAMIC 10UF 25V X5R 1206	
2	C14, C17,	47uF	1210	CAP CERAMIC 22UF 25V X5R 1210	
1	C37	22uF	1210	CAP CERAMIC 22UF 25V X5R 1210	
5	C28, C30, C31, C32, C33	10uF	805	CAP CER 10UF 10V X7R 0805	
1	C29	4.7uF	603	CAP CER 4.7UF 10V X5R 0603	
4	C30a, C31a, C32a, C33a		CAP_POL_1210	CAPACITOR TANT 100UF 10V 20% SMD	DNI
4	J1, J2, J3, J6	ED555/2DS	TB_2X3.5MM	TERMINAL BLOCK 3.5MM 2POS PCB	
2	J4, J5	ED555/3DS	TB_3X3.5MM	TERMINAL BLOCK 3.5MM 2POS PCB	
6	JP3, JP5, JP11, JP20, JP25, JP34		JMP0.3	CONN HEADER 50POS .100" SGL GOLD	
3	JP26, JP27, JP35		JMP0.2	CONN HEADER 50POS .100" SGL GOLD	
3	L1, L2, L3	4.7uH	IND_RLF7030	Magnetic-Core Inductor	
1	R21	120K	603	RES 120K OHM 1/10W 5% 0603 SMD	
1	R2	10K	603	RES 10K OHM 1/10W 5% 0603 SMD	
2	R1, R10	82K	603	RES 82K OHM 1/10W 1% 0603 SMD	
3	R3, R8, R23	20K	603	RES 20K OHM 1/10W 5% 0603 SMD	
1	R6	383K	603	RES 383K OHM 1/10W 1% 0603 SMD	
3	R26, R27, R35	100K	603	RES 100K OHM 1/10W 5% 0603 SMD	
4	R14, R17, R20, R37	0	603	RES 0.0 OHM 1/10W 5% 0603 SMD	
3	R14a, R17a, R37a	40.2K	603	RES 40.2K OHM 1/10W 1% 0603 SMD	
1	R14b	80.6K	603	RES 80.6K OHM 1/10W 1% 0603 SMD	
1	R17b	32.4K	603	RES 32.4K OHM 1/10W 1% 0603 SMD	
1	R37b	12.7K	603	RES 12.7K OHM 1/10W 1% 0603 SMD	
6	TP1, TP2, TP3, TP5, TP6, TP7		TEST POINT 0.052	Glass Beaded Test Point	
8	TP4, TP14, TP17, TP30, TP31, TP32, TP33, TP37		TEST POINT 0.052	Glass Beaded Test Point	
3	TP14a, TP17a , TP37a		TP-032	Test Point, 0.032 Hole	DNI
1	U1		QFN-40	TPS65288	
3	TP17a, TP37a, TP14a		TEST POINT 0.052	Test Point, 0.032 Hole	DNI
1	U1		QFN-40	TPS65288	

IMPORTANT NOTICE

Texas Instruments Incorporated and its subsidiaries (TI) reserve the right to make corrections, enhancements, improvements and other changes to its semiconductor products and services per JESD46, latest issue, and to discontinue any product or service per JESD48, latest issue. Buyers should obtain the latest relevant information before placing orders and should verify that such information is current and complete. All semiconductor products (also referred to herein as "components") are sold subject to TI's terms and conditions of sale supplied at the time of order acknowledgment.

TI warrants performance of its components to the specifications applicable at the time of sale, in accordance with the warranty in TI's terms and conditions of sale of semiconductor products. Testing and other quality control techniques are used to the extent TI deems necessary to support this warranty. Except where mandated by applicable law, testing of all parameters of each component is not necessarily performed.

TI assumes no liability for applications assistance or the design of Buyers' products. Buyers are responsible for their products and applications using TI components. To minimize the risks associated with Buyers' products and applications, Buyers should provide adequate design and operating safeguards.

TI does not warrant or represent that any license, either express or implied, is granted under any patent right, copyright, mask work right, or other intellectual property right relating to any combination, machine, or process in which TI components or services are used. Information published by TI regarding third-party products or services does not constitute a license to use such products or services or a warranty or endorsement thereof. Use of such information may require a license from a third party under the patents or other intellectual property of the third party, or a license from TI under the patents or other intellectual property of TI.

Reproduction of significant portions of TI information in TI data books or data sheets is permissible only if reproduction is without alteration and is accompanied by all associated warranties, conditions, limitations, and notices. TI is not responsible or liable for such altered documentation. Information of third parties may be subject to additional restrictions.

Resale of TI components or services with statements different from or beyond the parameters stated by TI for that component or service voids all express and any implied warranties for the associated TI component or service and is an unfair and deceptive business practice. TI is not responsible or liable for any such statements.

Buyer acknowledges and agrees that it is solely responsible for compliance with all legal, regulatory and safety-related requirements concerning its products, and any use of TI components in its applications, notwithstanding any applications-related information or support that may be provided by TI. Buyer represents and agrees that it has all the necessary expertise to create and implement safeguards which anticipate dangerous consequences of failures, monitor failures and their consequences, lessen the likelihood of failures that might cause harm and take appropriate remedial actions. Buyer will fully indemnify TI and its representatives against any damages arising out of the use of any TI components in safety-critical applications.

In some cases, TI components may be promoted specifically to facilitate safety-related applications. With such components, TI's goal is to help enable customers to design and create their own end-product solutions that meet applicable functional safety standards and requirements. Nonetheless, such components are subject to these terms.

No TI components are authorized for use in FDA Class III (or similar life-critical medical equipment) unless authorized officers of the parties have executed a special agreement specifically governing such use.

Only those TI components which TI has specifically designated as military grade or "enhanced plastic" are designed and intended for use in military/aerospace applications or environments. Buyer acknowledges and agrees that any military or aerospace use of TI components which have **not** been so designated is solely at the Buyer's risk, and that Buyer is solely responsible for compliance with all legal and regulatory requirements in connection with such use.

TI has specifically designated certain components as meeting ISO/TS16949 requirements, mainly for automotive use. In any case of use of non-designated products, TI will not be responsible for any failure to meet ISO/TS16949.

Products

Audio	www.ti.com/audio
Amplifiers	amplifier.ti.com
Data Converters	dataconverter.ti.com
DLP® Products	www.dlp.com
DSP	dsp.ti.com
Clocks and Timers	www.ti.com/clocks
Interface	interface.ti.com
Logic	logic.ti.com
Power Mgmt	power.ti.com
Microcontrollers	microcontroller.ti.com
RFID	www.ti-rfid.com
OMAP Applications Processors	www.ti.com/omap
Wireless Connectivity	www.ti.com/wirelessconnectivity

Applications

Automotive and Transportation	www.ti.com/automotive
Communications and Telecom	www.ti.com/communications
Computers and Peripherals	www.ti.com/computers
Consumer Electronics	www.ti.com/consumer-apps
Energy and Lighting	www.ti.com/energy
Industrial	www.ti.com/industrial
Medical	www.ti.com/medical
Security	www.ti.com/security
Space, Avionics and Defense	www.ti.com/space-avionics-defense
Video and Imaging	www.ti.com/video

TI E2E Community

e2e.ti.com