

SN54ABT623A, SN74ABT623 OCTAL BUS TRANSCEIVERS WITH 3-STATE OUTPUTS

SCBS114D – FEBRUARY 1991 – REVISED MAY 1997

- State-of-the-Art *EPIC-II B*[™] BiCMOS Design Significantly Reduces Power Dissipation
- ESD Protection Exceeds 2000 V Per MIL-STD-883, Method 3015; Exceeds 200 V Using Machine Model (C = 200 pF, R = 0)
- Latch-Up Performance Exceeds 500 mA Per JEDEC Standard JESD-17
- Typical V_{OLP} (Output Ground Bounce) < 1 V at $V_{CC} = 5$ V, $T_A = 25^\circ\text{C}$
- High-Drive Outputs (–32-mA I_{OH} , 64-mA I_{OL})
- Package Options Include Plastic Small-Outline (DW), Shrink Small-Outline (DB), and Thin Shrink Small-Outline (PW) Packages, Ceramic Chip Carriers (FK), Ceramic Flat (W) Package, and Plastic (N) and Ceramic (JT) DIPs

description

The SN54ABT623A and SN74ABT623 bus transceivers are designed for asynchronous communication between data buses. The control-function implementation allows for maximum flexibility in timing. The SN54ABT623A and SN74ABT623 provide true data at their outputs.

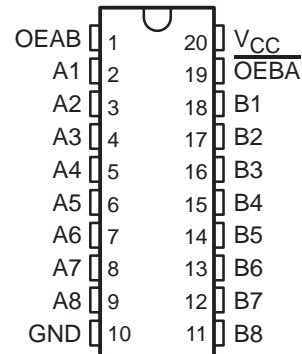
These devices allow data transmission from the A bus to the B bus or from the B bus to the A bus, depending on the logic levels at the output-enable (OEAB and $\overline{\text{OEBA}}$) inputs.

The output-enable inputs can be used to disable the device so that the buses are effectively isolated. The dual-enable configuration gives the transceivers the capability of storing data by simultaneously enabling OEAB and $\overline{\text{OEBA}}$. Each output reinforces its input in this configuration. When both OEAB and $\overline{\text{OEBA}}$ are enabled and all other data sources to the two sets of bus lines are at high impedance, both sets of bus lines (16 total) remain at their last states.

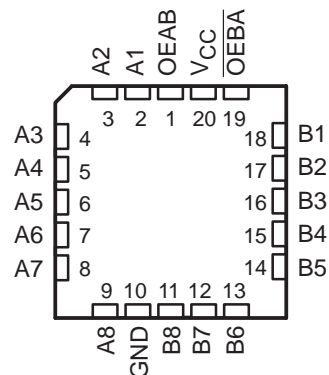
To ensure the high-impedance state during power up or power down, $\overline{\text{OEBA}}$ should be tied to V_{CC} through a pullup resistor; the minimum value of the resistor is determined by the current-sinking capability of the driver. OEAB should be tied to GND through a pulldown resistor; the minimum value of the resistor is determined by the current-sourcing capability of the driver.

The SN54ABT623A is characterized for operation over the full military temperature range of -55°C to 125°C . The SN74ABT623 is characterized for operation from -40°C to 85°C .

SN54ABT623A . . . JT OR W PACKAGE
SN74ABT623 . . . DB, DW, N, OR PW PACKAGE
(TOP VIEW)



SN54ABT623A . . . FK PACKAGE
(TOP VIEW)



Please be aware that an important notice concerning availability, standard warranty, and use in critical applications of Texas Instruments semiconductor products and disclaimers thereto appears at the end of this data sheet.

EPIC-II B is a trademark of Texas Instruments Incorporated.

PRODUCTION DATA information is current as of publication date. Products conform to specifications per the terms of Texas Instruments standard warranty. Production processing does not necessarily include testing of all parameters.



POST OFFICE BOX 655303 • DALLAS, TEXAS 75265

Copyright © 1997, Texas Instruments Incorporated

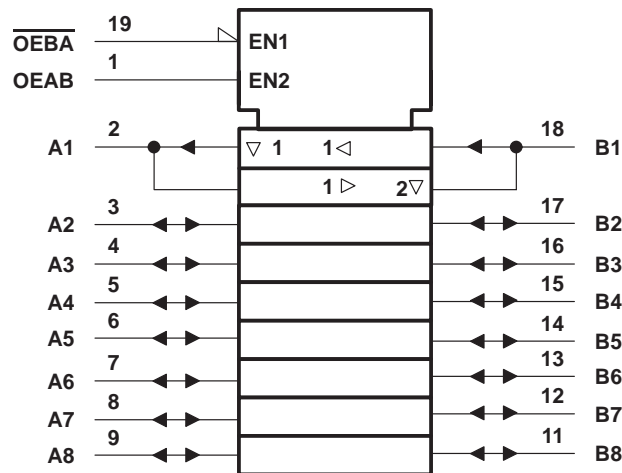
SN54ABT623A, SN74ABT623 OCTAL BUS TRANSCEIVERS WITH 3-STATE OUTPUTS

SCBS114D – FEBRUARY 1991 – REVISED MAY 1997

FUNCTION TABLE

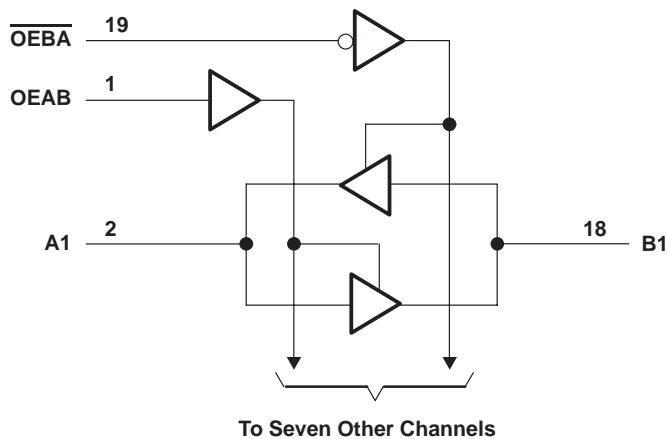
| INPUTS | | OPERATION |
|--------|------|-------------------------------------|
| OEBA | OEAB | |
| L | L | B data to A bus |
| L | H | B data to A bus, A data to B bus |
| H | L | Isolation |
| H | H | A data to B bus |

logic symbol†



† This symbol is in accordance with ANSI/IEEE Std 91-1984 and IEC Publication 617-12.

logic diagram (positive logic)



SN54ABT623A, SN74ABT623
OCTAL BUS TRANSCEIVERS
WITH 3-STATE OUTPUTS

SCBS114D – FEBRUARY 1991 – REVISED MAY 1997

absolute maximum ratings over operating free-air temperature range (unless otherwise noted)†

| | |
|---|-----------------|
| Supply voltage range, V_{CC} | –0.5 V to 7 V |
| Input voltage range, V_I (except I/O ports) (see Note 1) | –0.5 V to 7 V |
| Voltage range applied to any output in the high or power-off state, V_O | –0.5 V to 5.5 V |
| Current into any output in the low state, I_O : SN54ABT623A | 96 mA |
| SN74ABT623 | 128 mA |
| Input clamp current, I_{IK} ($V_I < 0$) | –18 mA |
| Output clamp current, I_{OK} ($V_O < 0$) | –50 mA |
| Package thermal impedance, θ_{JA} (see Note 2): DB package | 115°C/W |
| DW package | 97°C/W |
| N package | 67°C/W |
| PW package | 128°C/W |
| Storage temperature range, T_{stg} | –65°C to 150°C |

† Stresses beyond those listed under “absolute maximum ratings” may cause permanent damage to the device. These are stress ratings only, and functional operation of the device at these or any other conditions beyond those indicated under “recommended operating conditions” is not implied. Exposure to absolute-maximum-rated conditions for extended periods may affect device reliability.

- NOTES: 1. The input and output negative-voltage ratings may be exceeded if the input and output clamp-current ratings are observed.
 2. The package thermal impedance is calculated in accordance with EIA/JEDEC Std JESD51, except for through-hole packages, which use a trace length of zero.

recommended operating conditions (see Note 3)

| | | SN54ABT623A | | SN74ABT623 | | UNIT |
|---------------------|------------------------------------|-----------------|----------|------------|----------|------|
| | | MIN | MAX | MIN | MAX | |
| V_{CC} | Supply voltage | 4.5 | 5.5 | 4.5 | 5.5 | V |
| V_{IH} | High-level input voltage | 2 | | 2 | | V |
| V_{IL} | Low-level input voltage | | 0.8 | | 0.8 | V |
| V_I | Input voltage | 0 | V_{CC} | 0 | V_{CC} | V |
| I_{OH} | High-level output current | | –24 | | –32 | mA |
| I_{OL} | Low-level output current | | 48 | | 64 | mA |
| $\Delta t/\Delta v$ | Input transition rise or fall rate | Outputs enabled | | 5 | 5 | ns/V |
| T_A | Operating free-air temperature | –55 | 125 | –40 | 85 | °C |

NOTE 3: Unused pins (input or I/O) must be held high or low to prevent them from floating.



SN54ABT623A, SN74ABT623 OCTAL BUS TRANSCEIVERS WITH 3-STATE OUTPUTS

SCBS114D – FEBRUARY 1991 – REVISED MAY 1997

electrical characteristics over recommended operating free-air temperature range (unless otherwise noted)

| PARAMETER | TEST CONDITIONS | T _A = 25°C | | | SN54ABT623A | | SN74ABT623 | | UNIT | |
|--------------------------|---|--|------------------|-------|-------------|-------|------------|------|------|----|
| | | MIN | TYP† | MAX | MIN | MAX | MIN | MAX | | |
| V _{IK} | V _{CC} = 4.5 V, I _I = -18 mA | | | -1.2 | | -1.2 | | -1.2 | V | |
| V _{OH} | V _{CC} = 4.5 V, I _{OH} = -3 mA | | | 2.5 | | 2.5 | | 2.5 | V | |
| | V _{CC} = 5 V, I _{OH} = -3 mA | | | 3 | | 3 | | 3 | | |
| | V _{CC} = 4.5 V | I _{OH} = -24 mA | | | 2 | | 2 | | | |
| I _{OH} = -32 mA | | | | 2* | | | | 2 | | |
| V _{OL} | V _{CC} = 4.5 V | I _{OL} = 48 mA | | | | 0.55 | | 0.55 | V | |
| | | I _{OL} = 64 mA | | | | 0.55* | | 0.55 | | |
| V _{hys} | | | | 100 | | | | | mV | |
| I _I | Control inputs | V _{CC} = 5.5 V, V _I = V _{CC} or GND | | | ±1 | | ±1 | ±1 | μA | |
| | A or B ports | | | | ±100 | | ±100 | ±100 | | |
| I _{OZH} ‡ | V _{CC} = 5.5 V, V _O = 2.7 V | | | 50** | | 10 | | 50 | μA | |
| I _{OZL} ‡ | V _{CC} = 5.5 V, V _O = 0.5 V | | | -50** | | -10 | | -50 | μA | |
| I _{off} | V _{CC} = 0, V _I or V _O ≤ 4.5 V | | | ±100 | | | | ±100 | μA | |
| I _{CEX} | V _{CC} = 5.5 V, V _O = 5.5 V | Outputs high | | | | 50 | | 50 | μA | |
| I _O § | V _{CC} = 5.5 V, V _O = 2.5 V | | | -50 | -100 | -180 | | -50 | -180 | mA |
| I _{CC} | A or B ports | V _{CC} = 5.5 V, I _O = 0, V _I = V _{CC} or GND | Outputs high | | 5 | 250 | | 250 | 250 | μA |
| | | | Outputs low | | 22 | 30 | | 30 | 30 | mA |
| | | | Outputs disabled | | 1 | 250 | | 250 | 250 | μA |
| ΔI _{CC} ¶ | Data inputs | V _{CC} = 5.5 V, One input at 3.4 V, Other inputs at V _{CC} or GND | Outputs enabled | | | 1.5 | | 1.5 | 1.5 | mA |
| | | | Outputs disabled | | | 0.05 | | 0.05 | 0.05 | |
| | Control inputs | V _{CC} = 5.5 V, One input at 3.4 V, Other inputs at V _{CC} or GND | | | | 1.5 | | 1.5 | 1.5 | |
| C _i | Control inputs | V _I = 2.5 V or 0.5 V | | | 4 | | | | pF | |
| C _{io} | A or B ports | V _O = 2.5 V or 0.5 V | | | 7 | | | | pF | |

* On products compliant to MIL-PRF-38535, this parameter does not apply.

** These limits apply only to the SN74ABT623.

† All typical values are at V_{CC} = 5 V.

‡ The parameters I_{OZH} and I_{OZL} include the input leakage current.

§ Not more than one output should be tested at a time, and the duration of the test should not exceed one second.

¶ This is the increase in supply current for each input that is at the specified TTL voltage level rather than V_{CC} or GND.



SN54ABT623A, SN74ABT623
OCTAL BUS TRANSCEIVERS
WITH 3-STATE OUTPUTS

SCBS114D – FEBRUARY 1991 – REVISED MAY 1997

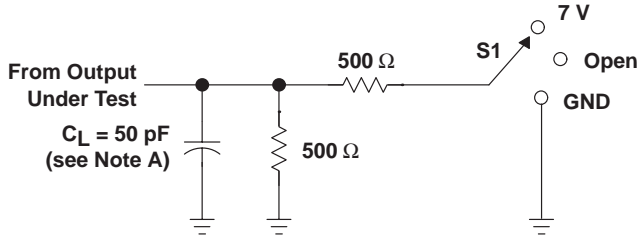
switching characteristics over recommended ranges of supply voltage and operating free-air temperature, $C_L = 50$ pF (unless otherwise noted) (see Figure 1)

| PARAMETER | FROM (INPUT) | TO (OUTPUT) | $V_{CC} = 5$ V, $T_A = 25^\circ$ C | | | SN54ABT623A | | SN74ABT623 | | UNIT |
|-----------|-------------------|----------------|---------------------------------------|-----|-----|-------------|-----|------------|-----|------|
| | | | MIN | TYP | MAX | MIN | MAX | MIN | MAX | |
| t_{PLH} | A or B | B or A | 1 | 2.6 | 4.1 | 1 | 4 | 1 | 4.6 | ns |
| t_{PHL} | | | 1 | 2.6 | 4.2 | 0.8 | 4.1 | 1 | 4.6 | |
| t_{PZH} | \overline{OEBA} | A | 1.7 | 3.4 | 6.5 | 1.2 | 5.4 | 1.7 | 7.5 | ns |
| t_{PZL} | | | 1.7 | 3.8 | 6.5 | 1.5 | 6.8 | 1.7 | 7.5 | |
| t_{PHZ} | \overline{OEBA} | A | 1.7 | 4.2 | 6.5 | 1.7 | 7.1 | 1.7 | 7.5 | ns |
| t_{PLZ} | | | 1.7 | 4.7 | 6.5 | 1.5 | 7.1 | 1.7 | 7.5 | |
| t_{PZH} | OEAB | B | 1.7 | 4.8 | 6.5 | 1.2 | 6.8 | 1.7 | 7.5 | ns |
| t_{PZL} | | | 1.7 | 4 | 6.5 | 1.7 | 6.5 | 1.7 | 7.5 | |
| t_{PHZ} | OEAB | B | 1.7 | 3.9 | 6.5 | 1.5 | 6.8 | 1.7 | 7.5 | ns |
| t_{PLZ} | | | 1.7 | 3.2 | 6.5 | 1.3 | 5.8 | 1.7 | 7.5 | |

SN54ABT623A, SN74ABT623
OCTAL BUS TRANSCEIVERS
WITH 3-STATE OUTPUTS

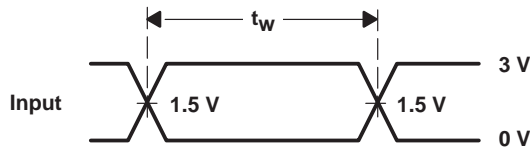
SCBS114D – FEBRUARY 1991 – REVISED MAY 1997

PARAMETER MEASUREMENT INFORMATION

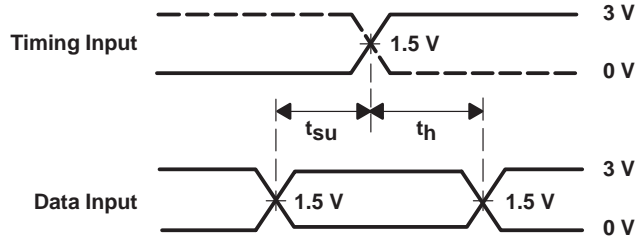


LOAD CIRCUIT

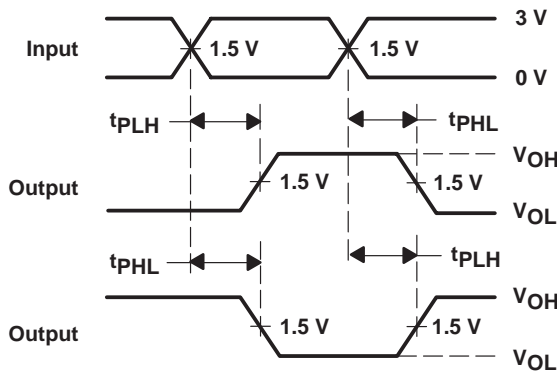
| TEST | S1 |
|-------------------|------|
| t_{PLH}/t_{PHL} | Open |
| t_{PLZ}/t_{PZL} | 7 V |
| t_{PHZ}/t_{PZH} | Open |



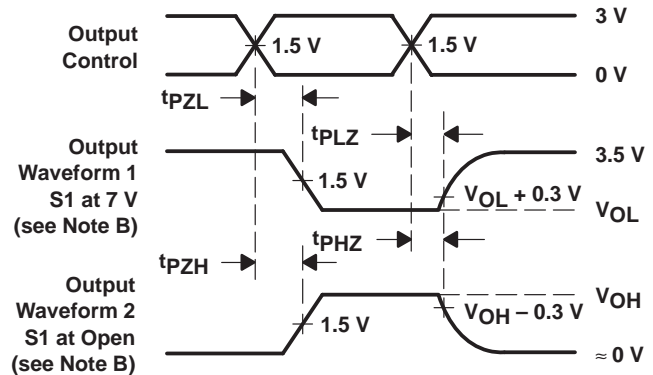
VOLTAGE WAVEFORMS
PULSE DURATION



VOLTAGE WAVEFORMS
SETUP AND HOLD TIMES



VOLTAGE WAVEFORMS
PROPAGATION DELAY TIMES
INVERTING AND NONINVERTING OUTPUTS



VOLTAGE WAVEFORMS
ENABLE AND DISABLE TIMES
LOW- AND HIGH-LEVEL ENABLING

- NOTES: A. C_L includes probe and jig capacitance.
 B. Waveform 1 is for an output with internal conditions such that the output is low except when disabled by the output control. Waveform 2 is for an output with internal conditions such that the output is high except when disabled by the output control.
 C. All input pulses are supplied by generators having the following characteristics: $PRR \leq 10 \text{ MHz}$, $Z_O = 50 \Omega$, $t_r \leq 2.5 \text{ ns}$, $t_f \leq 2.5 \text{ ns}$.
 D. The outputs are measured one at a time with one transition per measurement.

Figure 1. Load Circuit and Voltage Waveforms

PACKAGING INFORMATION

| Orderable Device | Status (1) | Package Type | Package Drawing | Pins | Package Qty | Eco Plan (2) | Lead finish/ Ball material (6) | MSL Peak Temp (3) | Op Temp (°C) | Device Marking (4/5) | Samples |
|------------------|---------------|--------------|-----------------|------|-------------|------------------|--------------------------------------|----------------------|--------------|---------------------------------------|-------------------------|
| 5962-9461801Q2A | ACTIVE | LCCC | FK | 20 | 55 | Non-RoHS & Green | SNPB | N / A for Pkg Type | -55 to 125 | 5962-9461801Q2A SNJ54 ABT623AFK | Samples |
| 5962-9461801QRA | ACTIVE | CDIP | J | 20 | 20 | Non-RoHS & Green | SNPB | N / A for Pkg Type | -55 to 125 | 5962-9461801QR A SNJ54ABT623AJ | Samples |
| SN74ABT623DBR | ACTIVE | SSOP | DB | 20 | 2000 | RoHS & Green | NIPDAU | Level-1-260C-UNLIM | -40 to 85 | AB623 | Samples |
| SN74ABT623DW | ACTIVE | SOIC | DW | 20 | 25 | RoHS & Green | NIPDAU | Level-1-260C-UNLIM | -40 to 85 | ABT623 | Samples |
| SN74ABT623DWR | ACTIVE | SOIC | DW | 20 | 2000 | RoHS & Green | NIPDAU | Level-1-260C-UNLIM | -40 to 85 | ABT623 | Samples |
| SN74ABT623N | ACTIVE | PDIP | N | 20 | 20 | RoHS & Non-Green | NIPDAU | N / A for Pkg Type | -40 to 85 | SN74ABT623N | Samples |
| SN74ABT623PWR | ACTIVE | TSSOP | PW | 20 | 2000 | RoHS & Green | NIPDAU | Level-1-260C-UNLIM | -40 to 85 | AB623 | Samples |
| SNJ54ABT623AFK | ACTIVE | LCCC | FK | 20 | 55 | Non-RoHS & Green | SNPB | N / A for Pkg Type | -55 to 125 | 5962-9461801Q2A SNJ54 ABT623AFK | Samples |
| SNJ54ABT623AJ | ACTIVE | CDIP | J | 20 | 20 | Non-RoHS & Green | SNPB | N / A for Pkg Type | -55 to 125 | 5962-9461801QR A SNJ54ABT623AJ | Samples |

(1) The marketing status values are defined as follows:

ACTIVE: Product device recommended for new designs.

LIFEBUY: TI has announced that the device will be discontinued, and a lifetime-buy period is in effect.

NRND: Not recommended for new designs. Device is in production to support existing customers, but TI does not recommend using this part in a new design.

PREVIEW: Device has been announced but is not in production. Samples may or may not be available.

OBSELETE: TI has discontinued the production of the device.

(2) **RoHS:** TI defines "RoHS" to mean semiconductor products that are compliant with the current EU RoHS requirements for all 10 RoHS substances, including the requirement that RoHS substance do not exceed 0.1% by weight in homogeneous materials. Where designed to be soldered at high temperatures, "RoHS" products are suitable for use in specified lead-free processes. TI may reference these types of products as "Pb-Free".

RoHS Exempt: TI defines "RoHS Exempt" to mean products that contain lead but are compliant with EU RoHS pursuant to a specific EU RoHS exemption.

Green: TI defines "Green" to mean the content of Chlorine (Cl) and Bromine (Br) based flame retardants meet JS709B low halogen requirements of ≤ 1000 ppm threshold. Antimony trioxide based flame retardants must also meet the ≤ 1000 ppm threshold requirement.

- (3) MSL, Peak Temp. - The Moisture Sensitivity Level rating according to the JEDEC industry standard classifications, and peak solder temperature.
- (4) There may be additional marking, which relates to the logo, the lot trace code information, or the environmental category on the device.
- (5) Multiple Device Markings will be inside parentheses. Only one Device Marking contained in parentheses and separated by a "~" will appear on a device. If a line is indented then it is a continuation of the previous line and the two combined represent the entire Device Marking for that device.
- (6) Lead finish/Ball material - Orderable Devices may have multiple material finish options. Finish options are separated by a vertical ruled line. Lead finish/Ball material values may wrap to two lines if the finish value exceeds the maximum column width.

Important Information and Disclaimer: The information provided on this page represents TI's knowledge and belief as of the date that it is provided. TI bases its knowledge and belief on information provided by third parties, and makes no representation or warranty as to the accuracy of such information. Efforts are underway to better integrate information from third parties. TI has taken and continues to take reasonable steps to provide representative and accurate information but may not have conducted destructive testing or chemical analysis on incoming materials and chemicals. TI and TI suppliers consider certain information to be proprietary, and thus CAS numbers and other limited information may not be available for release.

In no event shall TI's liability arising out of such information exceed the total purchase price of the TI part(s) at issue in this document sold by TI to Customer on an annual basis.

TAPE AND REEL INFORMATION

QUADRANT ASSIGNMENTS FOR PIN 1 ORIENTATION IN TAPE


*All dimensions are nominal

| Device | Package Type | Package Drawing | Pins | SPQ | Reel Diameter (mm) | Reel Width W1 (mm) | A0 (mm) | B0 (mm) | K0 (mm) | P1 (mm) | W (mm) | Pin1 Quadrant |
|---------------|--------------|-----------------|------|------|--------------------|--------------------|---------|---------|---------|---------|--------|---------------|
| SN74ABT623DBR | SSOP | DB | 20 | 2000 | 330.0 | 16.4 | 8.2 | 7.5 | 2.5 | 12.0 | 16.0 | Q1 |
| SN74ABT623DWR | SOIC | DW | 20 | 2000 | 330.0 | 24.4 | 10.8 | 13.3 | 2.7 | 12.0 | 24.0 | Q1 |
| SN74ABT623PWR | TSSOP | PW | 20 | 2000 | 330.0 | 16.4 | 6.95 | 7.1 | 1.6 | 8.0 | 16.0 | Q1 |

TAPE AND REEL BOX DIMENSIONS


*All dimensions are nominal

| Device | Package Type | Package Drawing | Pins | SPQ | Length (mm) | Width (mm) | Height (mm) |
|---------------|--------------|-----------------|------|------|-------------|------------|-------------|
| SN74ABT623DBR | SSOP | DB | 20 | 2000 | 356.0 | 356.0 | 35.0 |
| SN74ABT623DWR | SOIC | DW | 20 | 2000 | 367.0 | 367.0 | 45.0 |
| SN74ABT623PWR | TSSOP | PW | 20 | 2000 | 356.0 | 356.0 | 35.0 |

TUBE


*All dimensions are nominal

| Device | Package Name | Package Type | Pins | SPQ | L (mm) | W (mm) | T (μm) | B (mm) |
|-----------------|--------------|--------------|------|-----|--------|--------|--------|--------|
| 5962-9461801Q2A | FK | LCCC | 20 | 55 | 506.98 | 12.06 | 2030 | NA |
| SN74ABT623DW | DW | SOIC | 20 | 25 | 507 | 12.83 | 5080 | 6.6 |
| SN74ABT623N | N | PDIP | 20 | 20 | 506 | 13.97 | 11230 | 4.32 |
| SNJ54ABT623AFK | FK | LCCC | 20 | 55 | 506.98 | 12.06 | 2030 | NA |

PW0020A



PACKAGE OUTLINE

TSSOP - 1.2 mm max height

SMALL OUTLINE PACKAGE



4220206/A 02/2017

NOTES:

- All linear dimensions are in millimeters. Any dimensions in parenthesis are for reference only. Dimensioning and tolerancing per ASME Y14.5M.
- This drawing is subject to change without notice.
- This dimension does not include mold flash, protrusions, or gate burrs. Mold flash, protrusions, or gate burrs shall not exceed 0.15 mm per side.
- This dimension does not include interlead flash. Interlead flash shall not exceed 0.25 mm per side.
- Reference JEDEC registration MO-153.

EXAMPLE BOARD LAYOUT

PW0020A

TSSOP - 1.2 mm max height

SMALL OUTLINE PACKAGE



LAND PATTERN EXAMPLE
EXPOSED METAL SHOWN
SCALE: 10X



SOLDER MASK DETAILS

4220206/A 02/2017

NOTES: (continued)

- 6. Publication IPC-7351 may have alternate designs.
- 7. Solder mask tolerances between and around signal pads can vary based on board fabrication site.

EXAMPLE STENCIL DESIGN

PW0020A

TSSOP - 1.2 mm max height

SMALL OUTLINE PACKAGE



SOLDER PASTE EXAMPLE
BASED ON 0.125 mm THICK STENCIL
SCALE: 10X

4220206/A 02/2017

NOTES: (continued)

8. Laser cutting apertures with trapezoidal walls and rounded corners may offer better paste release. IPC-7525 may have alternate design recommendations.
9. Board assembly site may have different recommendations for stencil design.

DB0020A



PACKAGE OUTLINE

SSOP - 2 mm max height

SMALL OUTLINE PACKAGE



4214851/B 08/2019

NOTES:

1. All linear dimensions are in millimeters. Any dimensions in parenthesis are for reference only. Dimensioning and tolerancing per ASME Y14.5M.
2. This drawing is subject to change without notice.
3. This dimension does not include mold flash, protrusions, or gate burrs. Mold flash, protrusions, or gate burrs shall not exceed 0.15 mm per side.
4. This dimension does not include interlead flash. Interlead flash shall not exceed 0.25 mm per side.
5. Reference JEDEC registration MO-150.

EXAMPLE BOARD LAYOUT

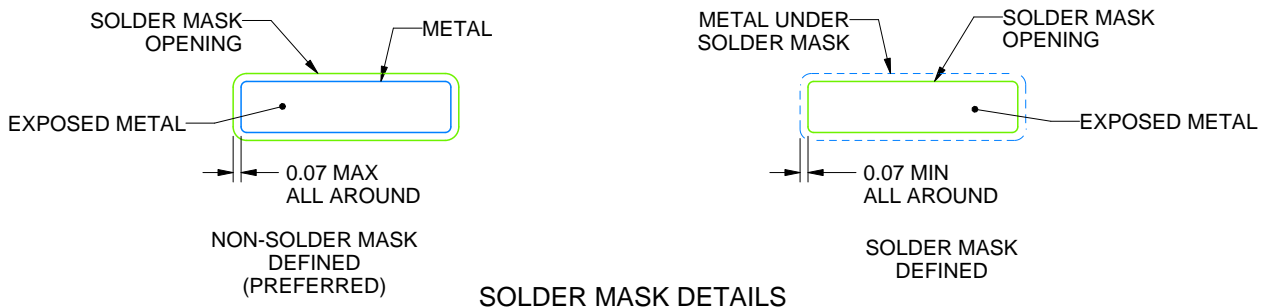
DB0020A

SSOP - 2 mm max height

SMALL OUTLINE PACKAGE



LAND PATTERN EXAMPLE
EXPOSED METAL SHOWN
SCALE: 10X



4214851/B 08/2019

NOTES: (continued)

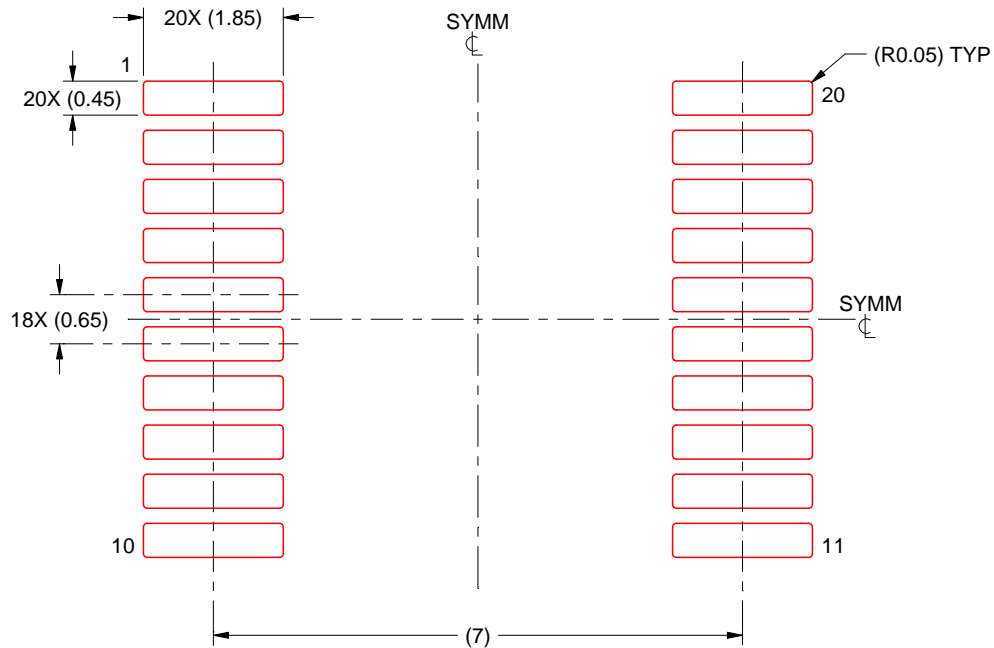
- 6. Publication IPC-7351 may have alternate designs.
- 7. Solder mask tolerances between and around signal pads can vary based on board fabrication site.

EXAMPLE STENCIL DESIGN

DB0020A

SSOP - 2 mm max height

SMALL OUTLINE PACKAGE



SOLDER PASTE EXAMPLE
BASED ON 0.125 mm THICK STENCIL
SCALE: 10X

4214851/B 08/2019

NOTES: (continued)

8. Laser cutting apertures with trapezoidal walls and rounded corners may offer better paste release. IPC-7525 may have alternate design recommendations.
9. Board assembly site may have different recommendations for stencil design.

J (R-GDIP-T**)

14 LEADS SHOWN

CERAMIC DUAL IN-LINE PACKAGE



| DIM \ PINS ** | 14 | 16 | 18 | 20 |
|---------------|------------------------|------------------------|------------------------|------------------------|
| A | 0.300 (7,62) BSC | 0.300 (7,62) BSC | 0.300 (7,62) BSC | 0.300 (7,62) BSC |
| B MAX | 0.785 (19,94) | .840 (21,34) | 0.960 (24,38) | 1.060 (26,92) |
| B MIN | — | — | — | — |
| C MAX | 0.300 (7,62) | 0.300 (7,62) | 0.310 (7,87) | 0.300 (7,62) |
| C MIN | 0.245 (6,22) | 0.245 (6,22) | 0.220 (5,59) | 0.245 (6,22) |



4040083/F 03/03

- NOTES:
- All linear dimensions are in inches (millimeters).
 - This drawing is subject to change without notice.
 - This package is hermetically sealed with a ceramic lid using glass frit.
 - Index point is provided on cap for terminal identification only on press ceramic glass frit seal only.
 - Falls within MIL STD 1835 GDIP1-T14, GDIP1-T16, GDIP1-T18 and GDIP1-T20.

GENERIC PACKAGE VIEW

FK 20

LCCC - 2.03 mm max height

8.89 x 8.89, 1.27 mm pitch

LEADLESS CERAMIC CHIP CARRIER

This image is a representation of the package family, actual package may vary.
Refer to the product data sheet for package details.



4229370VA\

N (R-PDIP-T**)

PLASTIC DUAL-IN-LINE PACKAGE

16 PINS SHOWN



4040049/E 12/2002

- NOTES:
- A. All linear dimensions are in inches (millimeters).
 - B. This drawing is subject to change without notice.
 - $\triangle C$ Falls within JEDEC MS-001, except 18 and 20 pin minimum body length (Dim A).
 - $\triangle D$ The 20 pin end lead shoulder width is a vendor option, either half or full width.

DW0020A



PACKAGE OUTLINE

SOIC - 2.65 mm max height

SOIC



4220724/A 05/2016

NOTES:

1. All linear dimensions are in millimeters. Dimensions in parenthesis are for reference only. Dimensioning and tolerancing per ASME Y14.5M.
2. This drawing is subject to change without notice.
3. This dimension does not include mold flash, protrusions, or gate burrs. Mold flash, protrusions, or gate burrs shall not exceed 0.15 mm per side.
4. This dimension does not include interlead flash. Interlead flash shall not exceed 0.43 mm per side.
5. Reference JEDEC registration MS-013.

EXAMPLE BOARD LAYOUT

DW0020A

SOIC - 2.65 mm max height

SOIC



LAND PATTERN EXAMPLE
SCALE:6X



SOLDER MASK DETAILS

4220724/A 05/2016

NOTES: (continued)

- 6. Publication IPC-7351 may have alternate designs.
- 7. Solder mask tolerances between and around signal pads can vary based on board fabrication site.

EXAMPLE STENCIL DESIGN

DW0020A

SOIC - 2.65 mm max height

SOIC



SOLDER PASTE EXAMPLE
BASED ON 0.125 mm THICK STENCIL
SCALE:6X

4220724/A 05/2016

NOTES: (continued)

8. Laser cutting apertures with trapezoidal walls and rounded corners may offer better paste release. IPC-7525 may have alternate design recommendations.
9. Board assembly site may have different recommendations for stencil design.

IMPORTANT NOTICE AND DISCLAIMER

TI PROVIDES TECHNICAL AND RELIABILITY DATA (INCLUDING DATA SHEETS), DESIGN RESOURCES (INCLUDING REFERENCE DESIGNS), APPLICATION OR OTHER DESIGN ADVICE, WEB TOOLS, SAFETY INFORMATION, AND OTHER RESOURCES "AS IS" AND WITH ALL FAULTS, AND DISCLAIMS ALL WARRANTIES, EXPRESS AND IMPLIED, INCLUDING WITHOUT LIMITATION ANY IMPLIED WARRANTIES OF MERCHANTABILITY, FITNESS FOR A PARTICULAR PURPOSE OR NON-INFRINGEMENT OF THIRD PARTY INTELLECTUAL PROPERTY RIGHTS.

These resources are intended for skilled developers designing with TI products. You are solely responsible for (1) selecting the appropriate TI products for your application, (2) designing, validating and testing your application, and (3) ensuring your application meets applicable standards, and any other safety, security, regulatory or other requirements.

These resources are subject to change without notice. TI grants you permission to use these resources only for development of an application that uses the TI products described in the resource. Other reproduction and display of these resources is prohibited. No license is granted to any other TI intellectual property right or to any third party intellectual property right. TI disclaims responsibility for, and you will fully indemnify TI and its representatives against, any claims, damages, costs, losses, and liabilities arising out of your use of these resources.

TI's products are provided subject to [TI's Terms of Sale](#) or other applicable terms available either on [ti.com](https://www.ti.com) or provided in conjunction with such TI products. TI's provision of these resources does not expand or otherwise alter TI's applicable warranties or warranty disclaimers for TI products.

TI objects to and rejects any additional or different terms you may have proposed.

Mailing Address: Texas Instruments, Post Office Box 655303, Dallas, Texas 75265
Copyright © 2024, Texas Instruments Incorporated