

# TLC3702 DUAL MICROPOWER LinCMOS™ VOLTAGE COMPARATORS

SLCS013E – NOVEMBER 1986 – REVISED MARCH 2012

- **Push-Pull CMOS Output Drives Capacitive Loads Without Pullup Resistor,**  
 $I_O = \pm 8 \text{ mA}$
- **Very Low Power . . . 100  $\mu\text{W}$  Typ at 5 V**
- **Fast Response Time . . .  $t_{PLH} = 2.7 \mu\text{s}$  Typ With 5-mV Overdrive**
- **Single-Supply Operation . . . 3 V to 16 V**  
TLC3702M . . . 4 V to 16 V
- **On-Chip ESD Protection**

## description

The TLC3702 consists of two independent micropower voltage comparators designed to operate from a single supply and be compatible with modern HCMOS logic systems. They are functionally similar to the LM339 but use one-twentieth of the power for similar response times. The push-pull CMOS output stage drives capacitive loads directly without a power-consuming pullup resistor to achieve the stated response time. Eliminating the pullup resistor not only reduces power dissipation, but also saves board space and component cost. The output stage is also fully compatible with TTL requirements.

Texas Instruments LinCMOS™ process offers superior analog performance to standard CMOS processes. Along with the standard CMOS advantages of low power without sacrificing speed, high input impedance, and low bias currents, the LinCMOS™ process offers extremely stable input offset voltages with large differential input voltages. This characteristic makes it possible to build reliable CMOS comparators.

The TLC3702C is characterized for operation over the commercial temperature range of 0°C to 70°C. The TLC3702I is characterized for operation over the extended industrial temperature range of -40°C to 85°C. The TLC3702M is characterized for operation over the full military temperature range of -55°C to 125°C.

**D, JG, OR P PACKAGE  
(TOP VIEW)**



**FK PACKAGE  
(TOP VIEW)**



NC – No internal connection

## symbol (each comparator)



Please be aware that an important notice concerning availability, standard warranty, and use in critical applications of Texas Instruments semiconductor products and disclaimers thereto appears at the end of this data sheet.

LinCMOS is a trademark of Texas Instruments Incorporated.

**PRODUCTION DATA** information is current as of publication date. Products conform to specifications per the terms of Texas Instruments standard warranty. Production processing does not necessarily include testing of all parameters.

**TEXAS  
INSTRUMENTS**

POST OFFICE BOX 655303 • DALLAS, TEXAS 75265

Copyright © 1998, Texas Instruments Incorporated

# TLC3702

## DUAL MICROWPOWER LinCMOS™ VOLTAGE COMPARATORS

SLCS013E – NOVEMBER 1986 – REVISED MARCH 2012

### AVAILABLE OPTIONS

T <sub>A</sub>	V <sub>IO</sub> max at 25°C	PACKAGES			
		SMALL OUTLINE (D)	CERAMIC (FK)	CERAMIC DIP (JG)	PLASTIC DIP (P)
0°C to 70°C	5 mV	TLC3702CD	—	—	TLC3702CP
-40°C to 85°C	5 mV	TLC3702ID	—	—	TLC3702IP
-55°C to 125°C	5 mV	TLC3702MD	TLC3702MFK	TLC3702MJG	—

The D package is available taped and reeled. Add R suffix to the device type (e.g., TLC3702CDR).

### functional block diagram (each comparator)



### absolute maximum ratings over operating free-air temperature range (unless otherwise noted)†

Supply voltage range, V <sub>DD</sub> (see Note 1)	-0.3 V to 18 V
Differential input voltage, V <sub>ID</sub> (see Note 2)	±18 V
Input voltage range, V <sub>I</sub>	-0.3 V to V <sub>DD</sub>
Output voltage range, V <sub>O</sub>	-0.3 V to V <sub>DD</sub>
Input current, I <sub>I</sub>	±5 mA
Output current, I <sub>O</sub> (each output)	±20 mA
Total supply current into V <sub>DD</sub>	40 mA
Total current out of GND	40 mA
Continuous total power dissipation	See Dissipation Rating Table
Operating free-air temperature range, T <sub>A</sub> : TLC3702C	0°C to 70°C
TLC3702I	-40°C to 85°C
TLC3702M	-55°C to 125°C
Storage temperature range	-65°C to 150°C
Case temperature for 60 seconds: FK package	260°C
Lead temperature 1,6 mm (1/16 inch) from case for 10 seconds: D or P package	260°C
Lead temperature 1,6 mm (1/16 inch) from case for 60 seconds: JG package	300°C

† Stresses beyond those listed under “absolute maximum ratings” may cause permanent damage to the device. These are stress ratings only, and functional operation of the device at these or any other conditions beyond those indicated under “recommended operating conditions” is not implied. Exposure to absolute-maximum-rated conditions for extended periods may affect device reliability.

- NOTES: 1. All voltage values, except differential voltages, are with respect to network ground.  
2. Differential voltages are at IN+ with respect to IN-.

# TLC3702

## DUAL MICROPOWER LinCMOS™ VOLTAGE COMPARATORS

SLCS013E – NOVEMBER 1986 – REVISED MARCH 2012

**DISSIPATION RATING TABLE**

PACKAGE	$T_A \leq 25^\circ\text{C}$ POWER RATING	DERATING FACTOR ABOVE $T_A = 25^\circ\text{C}$	$T_A = 70^\circ\text{C}$ POWER RATING	$T_A = 85^\circ\text{C}$ POWER RATING	$T_A = 125^\circ\text{C}$ POWER RATING
D	725 mW	5.8 mW/°C	464 mW	377 mW	145 mW
FK	1375 mW	11.0 mW/°C	880 mW	715 mW	275 mW
JG	1050 mW	8.4 mW/°C	672 mW	546 mW	210 mW
P	1000 mW	8.0 mW/°C	640 mW	520 mW	N/A

### recommended operating conditions

	TLC3702C			UNIT
	MIN	NOM	MAX	
Supply voltage, $V_{DD}$	3	5	16	V
Common-mode input voltage, $V_{IC}$	-0.2	$V_{DD} - 1.5$		V
High-level output current, $I_{OH}$	-20			mA
Low-level output current, $I_{OL}$	20			mA
Operating free-air temperature, $T_A$	0	70		°C

### electrical characteristics at specified operating free-air temperature, $V_{DD} = 5\text{ V}$ (unless otherwise noted)

PARAMETER	TEST CONDITIONS†	$T_A$	TLC3702C			UNIT
			MIN	TYP	MAX	
$V_{IO}$ Input offset voltage	$V_{DD} = 5\text{ V to }10\text{ V}$ , $V_{IC} = V_{ICRmin}$ , See Note 3	25°C	1.2 5			mV
		0°C to 70°C	6.5			
$I_{IO}$ Input offset current	$V_{IC} = 2.5\text{ V}$	25°C	1			pA
		70°C	0.3			nA
$I_{IB}$ Input bias current	$V_{IC} = 2.5\text{ V}$	25°C	5			pA
		70°C	0.6			nA
$V_{ICR}$ Common-mode input voltage range		25°C	0 to $V_{DD} - 1$			V
		0°C to 70°C	0 to $V_{DD} - 1.5$			
CMRR Common-mode rejection ratio	$V_{IC} = V_{ICRmin}$	25°C	84			dB
		70°C	84			
		0°C	84			
$k_{SVR}$ Supply-voltage rejection ratio	$V_{DD} = 5\text{ V to }10\text{ V}$	25°C	85			dB
		70°C	85			
		0°C	85			
$V_{OH}$ High-level output voltage	$V_{ID} = 1\text{ V}$ , $I_{OH} = -4\text{ mA}$	25°C	4.5	4.7		V
		70°C	4.3			
$V_{OL}$ Low-level output voltage	$V_{ID} = -1\text{ V}$ , $I_{OH} = 4\text{ mA}$	25°C	210	300		mV
		70°C	375			
$I_{DD}$ Supply current (both comparators)	Outputs low, No load	25°C	18	40		μA
		0°C to 70°C	50			

† All characteristics are measured with zero common-mode voltage unless otherwise noted.

NOTE 3: The offset voltage limits given are the maximum values required to drive the output up to 4.5 V or down to 0.3 V.

# TLC3702

## DUAL MICROPPOWER LinCMOS™ VOLTAGE COMPARATORS

SLCS013E – NOVEMBER 1986 – REVISED MARCH 2012

### recommended operating conditions

	TLC3702I			UNIT
	MIN	NOM	MAX	
Supply voltage, $V_{DD}$	3	5	16	V
Common-mode input voltage, $V_{IC}$	-0.2		$V_{DD} - 1.5$	V
High-level output current, $I_{OH}$			-20	mA
Low-level output current, $I_{OL}$			20	mA
Operating free-air temperature, $T_A$	-40		85	°C

### electrical characteristics at specified operating free-air temperature, $V_{DD} = 5$ V (unless otherwise noted)

PARAMETER	TEST CONDITIONS†	$T_A$	TLC3702I			UNIT
			MIN	TYP	MAX	
$V_{IO}$ Input offset voltage	$V_{DD} = 5$ V to 10 V, $V_{IC} = V_{ICRmin}$ , See Note 3	25°C		1.2	5	mV
		-40°C to 85°C			7	
$I_{IO}$ Input offset current	$V_{IC} = 2.5$ V	25°C		1		pA
		85°C			1	nA
$I_{IB}$ Input bias current	$V_{IC} = 2.5$ V	25°C		5		pA
		85°C			2	nA
$V_{ICR}$ Common-mode input voltage range		25°C	0 to $V_{DD} - 1$		V	
		-40°C to 85°C	0 to $V_{DD} - 1.5$			
CMRR Common-mode rejection ratio	$V_{IC} = V_{ICRmin}$	25°C	84		dB	
		85°C	84			
		-40°C	83			
$k_{SVR}$ Supply-voltage rejection ratio	$V_{DD} = 5$ V to 10 V	25°C	85		dB	
		85°C	85			
		-40°C	83			
$V_{OH}$ High-level output voltage	$V_{ID} = 1$ V, $I_{OH} = -4$ mA	25°C	4.5	4.7	V	
		85°C	4.3			
$V_{OL}$ Low-level output voltage	$V_{ID} = -1$ V, $I_{OH} = -4$ mA	25°C	210	300	mV	
		85°C	400			
$I_{DD}$ Supply current (both comparators)	Outputs low, No load	25°C	18	40	μA	
		-40°C to 85°C	65			

† All characteristics are measured with zero common-mode voltage unless otherwise noted.

NOTE 3. The offset voltage limits given are the maximum values required to drive the output up to 4.5 V or down to 0.3 V.

# TLC3702

## DUAL MICROPOWER LinCMOS™ VOLTAGE COMPARATORS

SLCS013E – NOVEMBER 1986 – REVISED MARCH 2012

### recommended operating conditions

	TLC3702M			UNIT
	MIN	NOM	MAX	
Supply voltage, $V_{DD}$	4	5	16	V
Common-mode input voltage, $V_{IC}$	0	$V_{DD} - 1.5$		V
High-level output current, $I_{OH}$	-20			mA
Low-level output current, $I_{OL}$	20			mA
Operating free-air temperature, $T_A$	-55	125		°C

### electrical characteristics at specified operating free-air temperature, $V_{DD} = 5$ V (unless otherwise noted)

PARAMETER	TEST CONDITIONS†	$T_A$	TLC3702M			UNIT
			MIN	TYP	MAX	
$V_{IO}$ Input offset voltage	$V_{DD} = 5$ V to 10 V, $V_{IC} = V_{ICRmin}$ , See Note 3	25°C	1.2		5	mV
		-55°C to 125°C			10	
$I_{IO}$ Input offset current	$V_{IC} = 2.5$ V	25°C	1			pA
		125°C			15	nA
$I_{IB}$ Input bias current	$V_{IC} = 2.5$ V	25°C	5			pA
		125°C			30	nA
$V_{ICR}$ Common-mode input voltage range		25°C	0 to $V_{DD} - 1$			V
		-55°C to 125°C	0 to $V_{DD} - 1.5$			
CMRR Common-mode rejection ratio	$V_{IC} = V_{ICRmin}$	25°C	84			dB
		125°C	83			
		-55°C	82			
$k_{SVR}$ Supply-voltage rejection ratio	$V_{DD} = 5$ V to 10 V	25°C	85			dB
		125°C	85			
		-55°C	82			
$V_{OH}$ High-level output voltage	$V_{ID} = 1$ V, $I_{OH} = -4$ mA	25°C	4.5	4.7		V
		125°C	4.2			
$V_{OL}$ Low-level output voltage	$V_{ID} = -1$ V, $I_{OH} = -4$ mA	25°C	210		300	mV
		125°C			500	
$I_{DD}$ Supply current (both comparators)	Outputs low, No load	25°C	18		40	μA
		-55°C to 125°C			90	

† All characteristics are measured with zero common-mode voltage unless otherwise noted.

NOTE 3. The offset voltage limits given are the maximum values required to drive the output up to 4.5 V or down to 0.3 V.



# TLC3702

## DUAL MICROPOWER LinCMOS™ VOLTAGE COMPARATORS

SLCS013E – NOVEMBER 1986 – REVISED MARCH 2012

switching characteristics,  $V_{DD} = 5\text{ V}$ ,  $T_A = 25^\circ\text{C}$

PARAMETER	TEST CONDITIONS		TLC3702C, TLC3702I TLC3702M			UNIT
			MIN	TYP	MAX	
$t_{PLH}$ Propagation delay time, low-to-high-level output†	f = 10 kHz, $C_L = 50\text{ pF}$	Overdrive = 2 mV		4.5		$\mu\text{s}$
		Overdrive = 5 mV		2.7		
		Overdrive = 10 mV		1.9		
		Overdrive = 20 mV		1.4		
		Overdrive = 40 mV		1.1		
$t_{PHL}$ Propagation delay time, high-to-low-level output†	f = 10 kHz, $C_L = 50\text{ pF}$	$V_I = 1.4\text{ V}$ step at IN+		1.1		$\mu\text{s}$
		Overdrive = 2 mV		4		
		Overdrive = 5 mV		2.3		
		Overdrive = 10 mV		1.5		
		Overdrive = 20 mV		0.95		
		Overdrive = 40 mV		0.65		
$t_f$ Fall time	f = 10 kHz, $C_L = 50\text{ pF}$	$V_I = 1.4\text{ V}$ step at IN+		0.15		ns
		Overdrive = 50 mV		50		
$t_r$ Rise time	f = 10 kHz, $C_L = 50\text{ pF}$	Overdrive = 50 mV		125		ns

† Simultaneous switching of inputs causes degradation in output response.



## PRINCIPLES OF OPERATION

### LinCMOS™ process

The LinCMOS™ process is a linear polysilicon-gate CMOS process. Primarily designed for single-supply applications, LinCMOS™ products facilitate the design of a wide range of high-performance analog functions from operational amplifiers to complex mixed-mode converters.

While digital designers are experienced with CMOS, MOS technologies are relatively new for analog designers. This short guide is intended to answer the most frequently asked questions related to the quality and reliability of LinCMOS™ products. Further questions should be directed to the nearest TI field sales office.

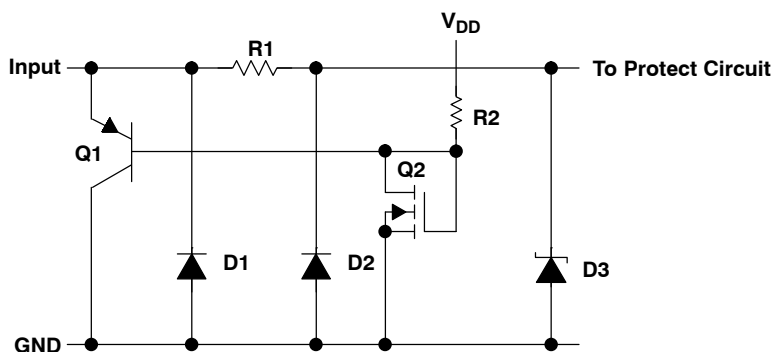
### electrostatic discharge

CMOS circuits are prone to gate oxide breakdown when exposed to high voltages even if the exposure is only for very short periods of time. Electrostatic discharge (ESD) is one of the most common causes of damage to CMOS devices. It can occur when a device is handled without proper consideration for environmental electrostatic charges, e.g., during board assembly. If a circuit in which one amplifier from a dual op amp is being used and the unused pins are left open, high voltages tend to develop. If there is no provision for ESD protection, these voltages may eventually punch through the gate oxide and cause the device to fail. To prevent voltage buildup, each pin is protected by internal circuitry.

Standard ESD-protection circuits safely shunt the ESD current by providing a mechanism whereby one or more transistors break down at voltages higher than the normal operating voltages but lower than the breakdown voltage of the input gate. This type of protection scheme is limited by leakage currents which flow through the shunting transistors during normal operation after an ESD voltage has occurred. Although these currents are small, on the order of tens of nanoamps, CMOS amplifiers are often specified to draw input currents as low as tens of picoamps.

To overcome this limitation, TI design engineers developed the patented ESD-protection circuit shown in Figure 1. This circuit can withstand several successive 2-kV ESD pulses, while reducing or eliminating leakage currents that may be drawn through the input pins. A more detailed discussion of the operation of the TI ESD-protection circuit is presented on the next page.

All input and output pins on LinCMOS™ and Advanced LinCMOS™ products have associated ESD-protection circuitry that undergoes qualification testing to withstand 2000 V discharged from a 100-pF capacitor through a 1500-Ω resistor (human body model) and 200 V from a 100-pF capacitor with no current-limiting resistor (charged device model). These tests simulate both operator and machine handling of devices during normal test and assembly operations.



**Figure 1. LinCMOS™ ESD-Protection Schematic**

LinCMOS and Advanced LinCMOS are trademarks of Texas Instruments Incorporated.

# TLC3702

## DUAL MICROPPOWER LinCMOS™ VOLTAGE COMPARATORS

SLCS013E – NOVEMBER 1986 – REVISED MARCH 2012

---

### PRINCIPLES OF OPERATION

#### input protection circuit operation

Texas Instruments patented protection circuitry allows for both positive- and negative-going ESD transients. These transients are characterized by extremely fast rise times and usually low energies, and can occur both when the device has all pins open and when it is installed in a circuit.

#### positive ESD transients

Initial positive charged energy is shunted through Q1 to  $V_{SS}$ . Q1 turns on when the voltage at the input rises above the voltage on the  $V_{DD}$  pin by a value equal to the  $V_{BE}$  of Q1. The base current increases through R2 with input current as Q1 saturates. The base current through R2 forces the voltage at the drain and gate of Q2 to exceed its threshold level ( $V_T \sim 22$  to  $26$  V) and turn Q2 on. The shunted input current through Q1 to  $V_{SS}$  is now shunted through the n-channel enhancement-type MOSFET Q2 to  $V_{SS}$ . If the voltage on the input pin continues to rise, the breakdown voltage of the zener diode D3 is exceeded and all remaining energy is dissipated in R1 and D3. The breakdown voltage of D3 is designed to be 24 V to 27 V, which is well below the gate-oxide voltage of the circuit to be protected.

#### negative ESD transients

The negative charged ESD transients are shunted directly through D1. Additional energy is dissipated in R1 and D2 as D2 becomes forward biased. The voltage seen by the protected circuit is  $-0.3$  V to  $-1$  V (the forward voltage of D1 and D2).

#### circuit-design considerations

LinCMOS™ products are being used in actual circuit environments that have input voltages that exceed the recommended common-mode input voltage range and activate the input protection circuit. Even under normal operation, these conditions occur during circuit power up or power down, and in many cases, when the device is being used for a signal conditioning function. The input voltages can exceed  $V_{ICR}$  and not damage the device only if the inputs are current limited. The recommended current limit shown on most product data sheets is  $\pm 5$  mA. Figure 2 and Figure 3 show typical characteristics for input voltage versus input current.

Normal operation and correct output state can be expected even when the input voltage exceeds the positive supply voltage. Again, the input current should be externally limited even though internal positive current limiting is achieved in the input protection circuit by the action of Q1. When Q1 is on, it saturates and limits the current to approximately 5-mA collector current by design. When saturated, Q1 base current increases with input current. This base current is forced into the  $V_{DD}$  pin and into the device  $I_{DD}$  or the  $V_{DD}$  supply through R2 producing the current limiting effects shown in Figure 2. This internal limiting lasts only as long as the input voltage is below the  $V_T$  of Q2.

When the input voltage exceeds the negative supply voltage, normal operation is affected and output voltage states may not be correct. Also, the isolation between channels of multiple devices (duals and quads) can be severely affected. External current limiting must be used since this current is directly shunted by D1 and D2 and no internal limiting is achieved. If normal output voltage states are required, an external input voltage clamp is required (see Figure 4).

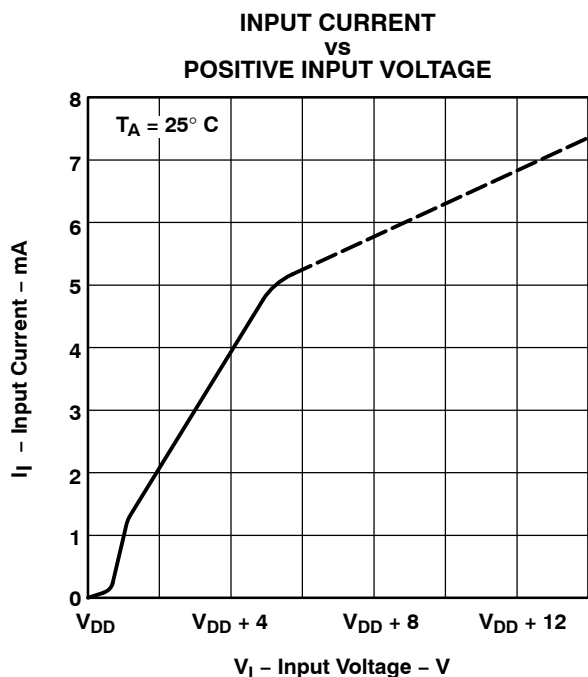


POST OFFICE BOX 655303 • DALLAS, TEXAS 75265

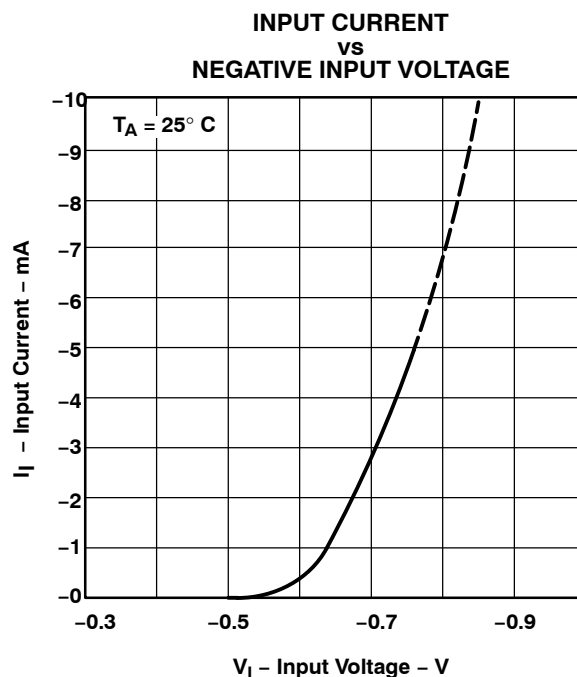


## PRINCIPLES OF OPERATION

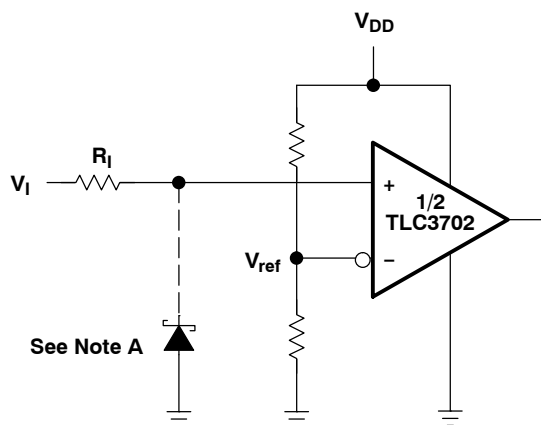
circuit-design considerations (continued)



**Figure 2**



**Figure 3**



**Positive Voltage Input Current Limit :**

$$R_I = \frac{V_I - V_{DD} - 0.3 \text{ V}}{5 \text{ mA}}$$

**Negative Voltage Input Current Limit :**

$$R_I = \frac{-V_I - V_{DD} - (-0.3 \text{ V})}{5 \text{ mA}}$$

NOTE A: If the correct input state is required when the negative input exceeds GND, a Schottky clamp is required.

**Figure 4. Typical Input Current-Limiting Configuration for a LinCMOS™ Comparator**

# TLC3702

## DUAL MICROPPOWER LinCMOS™ VOLTAGE COMPARATORS

SLCS013E – NOVEMBER 1986 – REVISED MARCH 2012

### PARAMETER MEASUREMENT INFORMATION

The TLC3702 contains a digital output stage which, if held in the linear region of the transfer curve, can cause damage to the device. Conventional operational amplifier/comparator testing incorporates the use of a servo loop which is designed to force the device output to a level within this linear region. Since the servo-loop method of testing cannot be used, we offer the following alternatives for measuring parameters such as input offset voltage, common-mode rejection, etc.

To verify that the input offset voltage falls within the limits specified, the limit value is applied to the input as shown in Figure 5(a). With the noninverting input positive with respect to the inverting input, the output should be high. With the input polarity reversed, the output should be low.

A similar test can be made to verify the input offset voltage at the common-mode extremes. The supply voltages can be slewed to provide greater accuracy, as shown in Figure 5(b) for the  $V_{ICR}$  test. This slewing is done instead of changing the input voltages.

A close approximation of the input offset voltage can be obtained by using a binary search method to vary the differential input voltage while monitoring the output state. When the applied input voltage differential is equal, but opposite in polarity, to the input offset voltage, the output changes states.

Figure 6 illustrates a practical circuit for direct dc measurement of input offset voltage that does not bias the comparator in the linear region. The circuit consists of a switching mode servo loop in which IC1a generates a triangular waveform of approximately 20-mV amplitude. IC1b acts as a buffer, with C2 and R4 removing any residual dc offset. The signal is then applied to the inverting input of the comparator under test, while the noninverting input is driven by the output of the integrator formed by IC1c through the voltage divider formed by R8 and R9. The loop reaches a stable operating point when the output of the comparator under test has a duty cycle of exactly 50%, which can only occur when the incoming triangle wave is sliced symmetrically or when the voltage at the noninverting input exactly equals the input offset voltage.

Voltage dividers R8 and R9 provide an increase in input offset voltage by a factor of 100 to make measurement easier. The values of R5, R7, R8, and R9 can significantly influence the accuracy of the reading; therefore, it is suggested that their tolerance level be one percent or lower.

Measuring the extremely low values of input current requires isolation from all other sources of leakage current and compensation for the leakage of the test socket and board. With a good picoammeter, the socket and board leakage can be measured with no device in the socket. Subsequently, this open socket leakage value can be subtracted from the measurement obtained with a device in the socket to obtain the actual input current of the device.



Figure 5. Method for Verifying That Input Offset Voltage Is Within Specified Limits

## PARAMETER MEASUREMENT INFORMATION



**Figure 6. Circuit for Input Offset Voltage Measurement**

Response time is defined as the interval between the application of an input step function and the instant when the output reaches 50% of its maximum value. Response time for the low-to-high-level output is measured from the leading edge of the input pulse, while response time for the high-to-low-level output is measured from the trailing edge of the input pulse. Response time measurement at low input signal levels can be greatly affected by the input offset voltage. The offset voltage should be balanced by the adjustment at the inverting input as shown in Figure 7, so that the circuit is just at the transition point. A low signal, for example 105-mV or 5-mV overdrive, causes the output to change state.

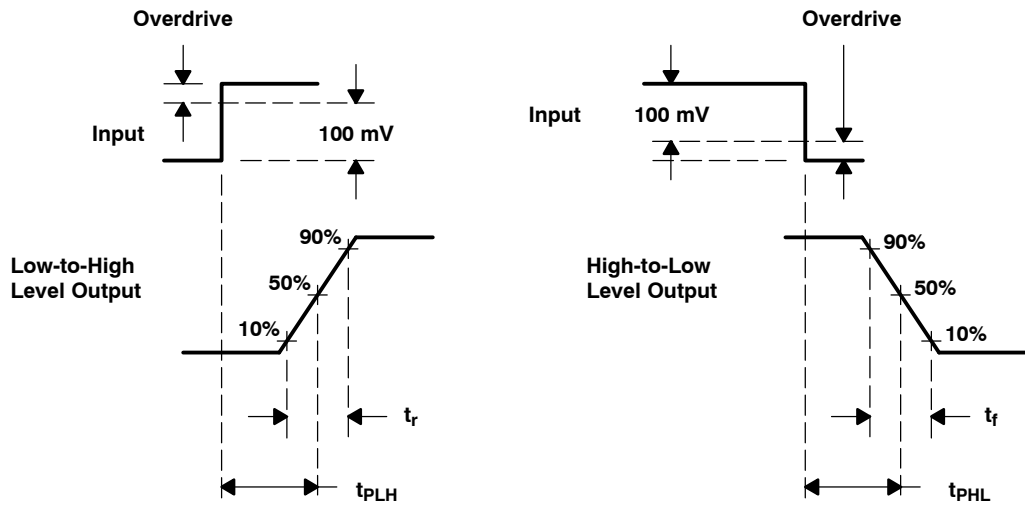
# TLC3702 DUAL MICROPOWER LinCMOS™ VOLTAGE COMPARATORS

SLCS013E – NOVEMBER 1986 – REVISED MARCH 2012

## PARAMETER MEASUREMENT INFORMATION



TEST CIRCUIT



VOLTAGE WAVEFORMS

NOTE A: C<sub>L</sub> includes probe and jig capacitance.

Figure 7. Response, Rise, and Fall Times Circuit and Voltage Waveforms

# TLC3702 DUAL MICROPOWER LinCMOS™ VOLTAGE COMPARATORS

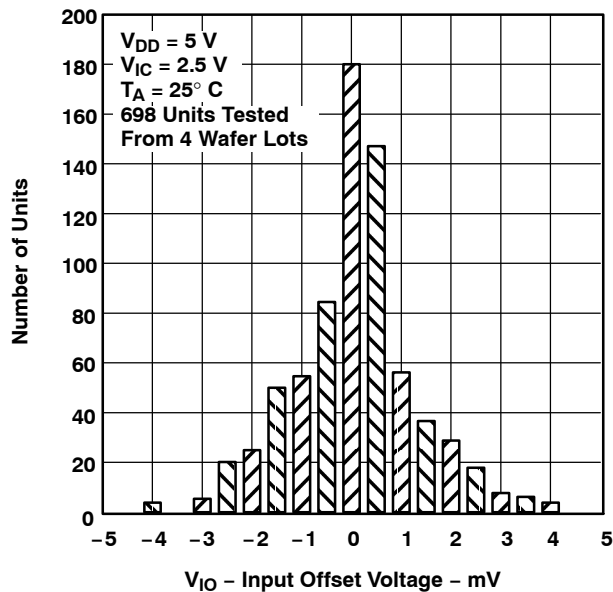
SLCS013E – NOVEMBER 1986 – REVISED MARCH 2012

## TYPICAL CHARACTERISTICS†

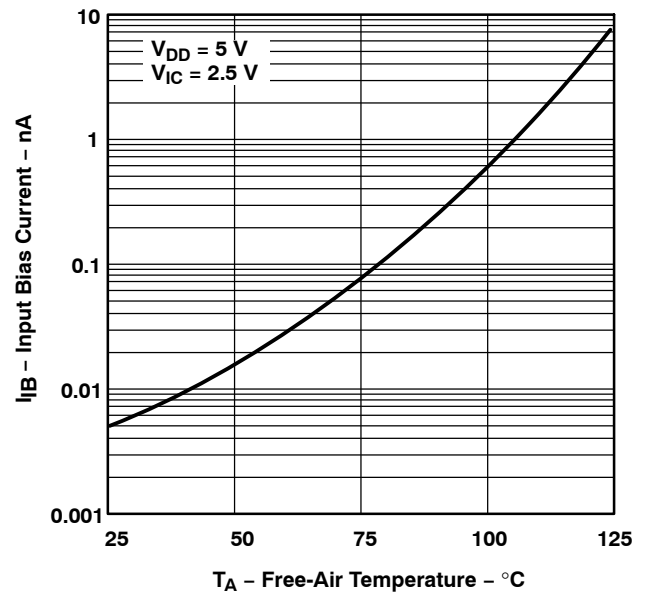
**Table of Graphs**

			FIGURE
$V_{IO}$	Input offset voltage	Distribution	8
$I_{IB}$	Input bias current	vs Free-air temperature	9
CMRR	Common-mode rejection ratio	vs Free-air temperature	10
$k_{SVR}$	Supply-voltage rejection ratio	vs Free-air temperature	11
$V_{OH}$	High-level output current	vs Free-air temperature vs High-level output current	12 13
$V_{OL}$	Low-level output voltage	vs Low-level output current vs Free-air temperature	14 15
$t_t$	Transition time	vs Load capacitance	16
	Supply current response	vs Time	17
	Low-to-high-level output response	Low-to-high level output propagation delay time	18
	High-to-low level output response	High-to-low level output propagation delay time	19
$t_{PLH}$	Low-to-high level output propagation delay time	vs Supply voltage	20
$t_{PHL}$	High-to-low level output propagation delay time	vs Supply voltage	21
$I_{DD}$	Supply current	vs Frequency vs Supply voltage vs Free-air temperature	22 23 24

**DISTRIBUTION OF INPUT  
OFFSET VOLTAGE**



**INPUT BIAS CURRENT  
VS  
FREE-AIR TEMPERATURE**



† Data at high and low temperatures are applicable only within the rated operating free-air temperature ranges of the various devices.

# TLC3702 DUAL MICROPOWER LinCMOS™ VOLTAGE COMPARATORS

SLCS013E – NOVEMBER 1986 – REVISED MARCH 2012

## TYPICAL CHARACTERISTICS†

COMMON-MODE REJECTION RATIO  
vs  
FREE-AIR TEMPERATURE

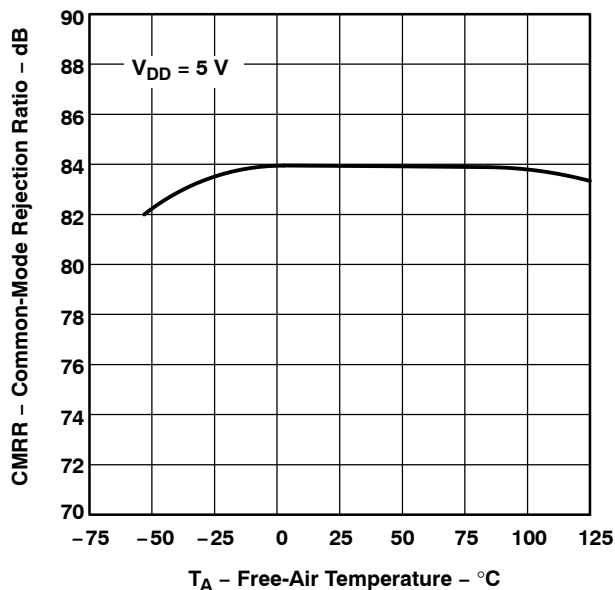


Figure 10

SUPPLY VOLTAGE REJECTION RATIO  
vs  
FREE-AIR TEMPERATURE



Figure 11

HIGH-LEVEL OUTPUT VOLTAGE  
vs  
FREE-AIR TEMPERATURE

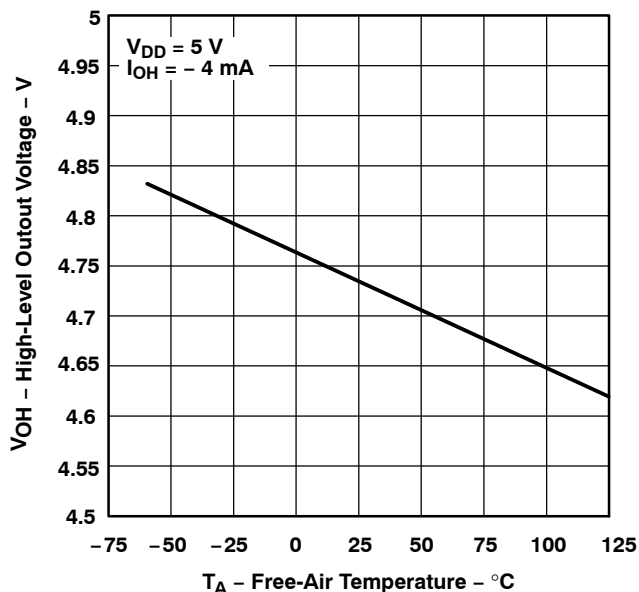


Figure 12

HIGH-LEVEL OUTPUT VOLTAGE  
vs  
HIGH-LEVEL OUTPUT CURRENT

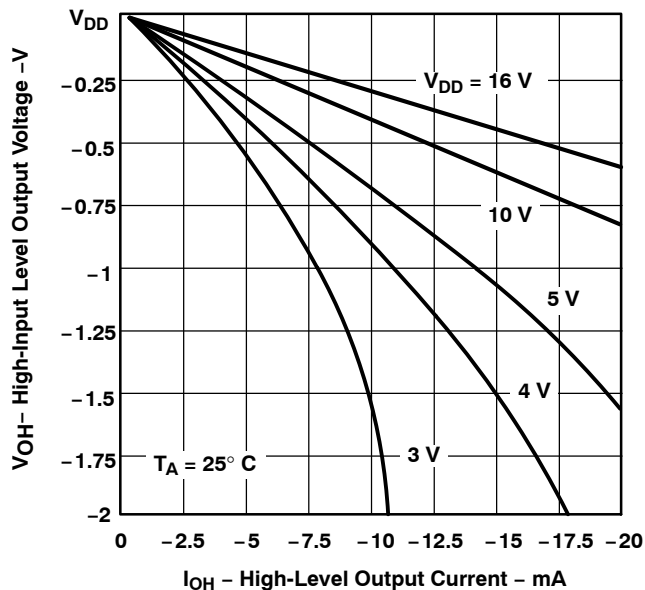


Figure 13

† Data at high and low temperatures are applicable only within the rated operating free-air temperature ranges of the various devices.

# TLC3702 DUAL MICROPOWER LinCMOS™ VOLTAGE COMPARATORS

SLCS013E – NOVEMBER 1986 – REVISED MARCH 2012

## TYPICAL CHARACTERISTICS†

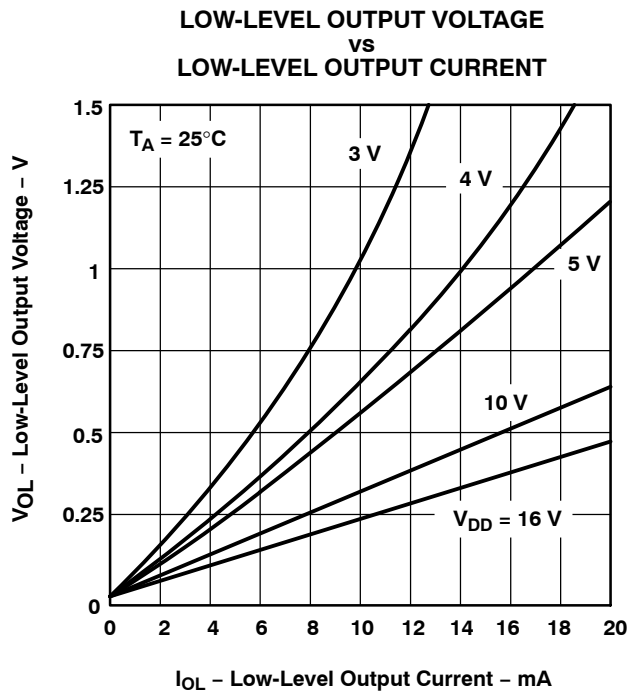


Figure 14

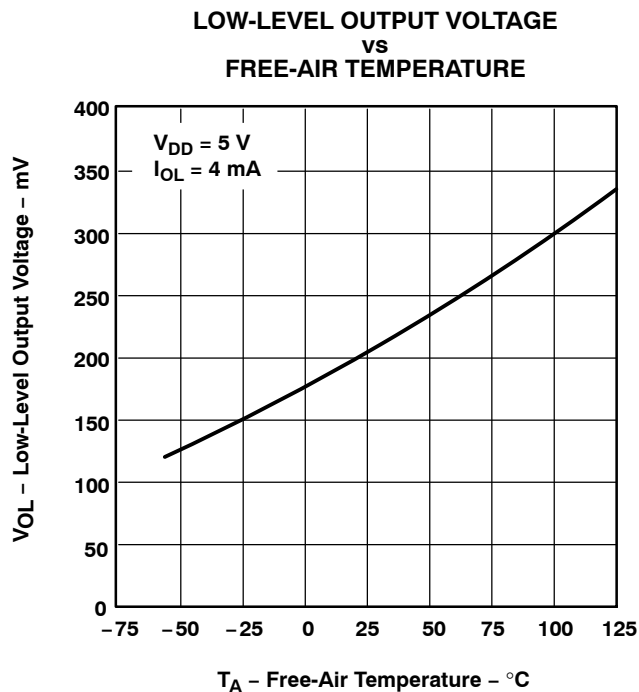


Figure 15

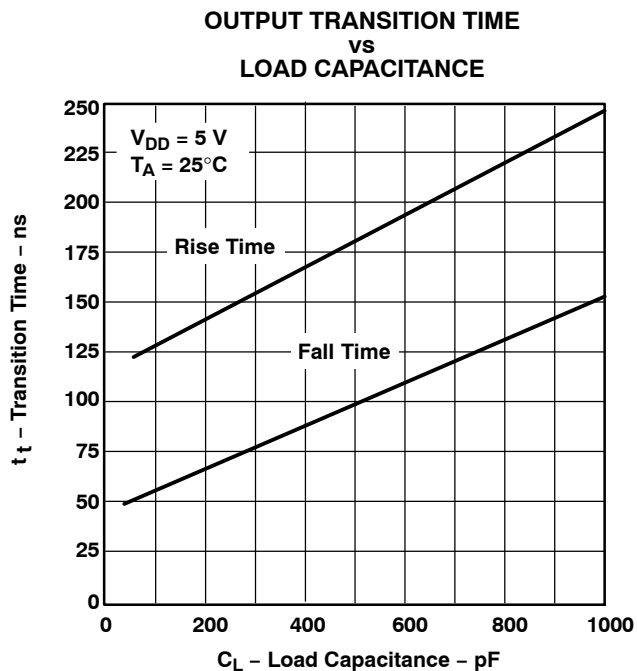


Figure 16

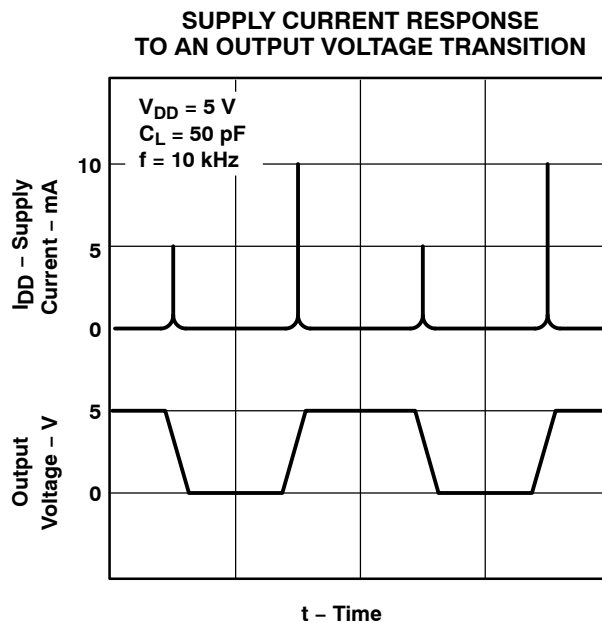


Figure 17

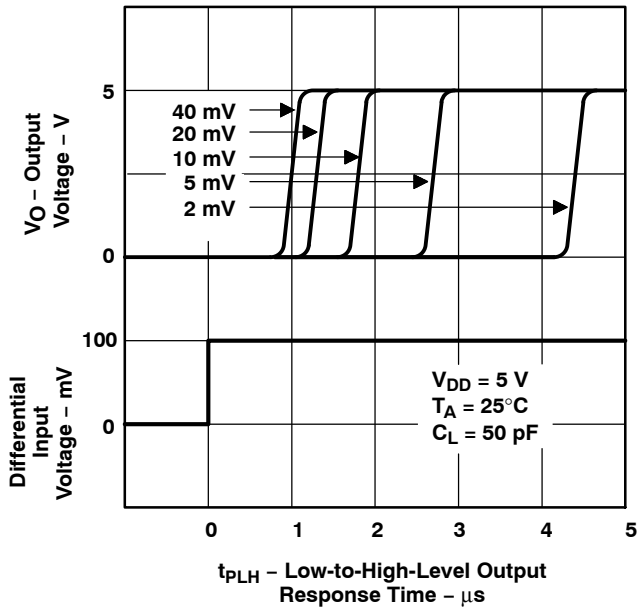
† Data at high and low temperatures are applicable only within the rated operating free-air temperature ranges of the various devices.

# TLC3702 DUAL MICROPOWER LinCMOS™ VOLTAGE COMPARATORS

SLCS013E – NOVEMBER 1986 – REVISED MARCH 2012

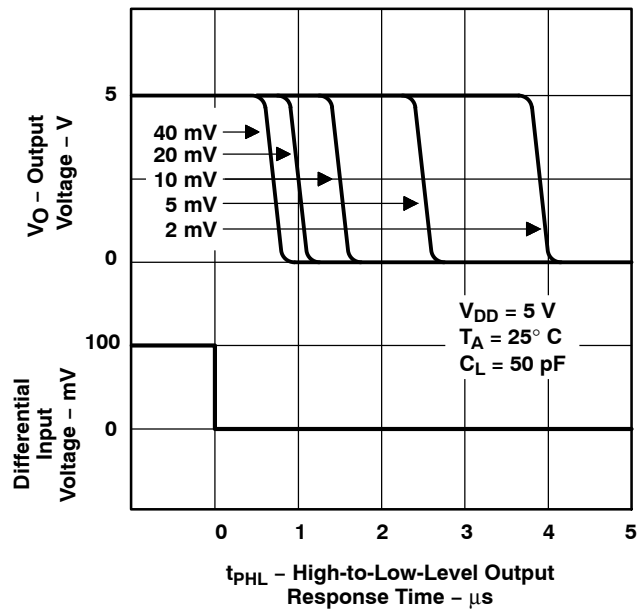
## TYPICAL CHARACTERISTICS

**LOW-TO-HIGH-LEVEL OUTPUT RESPONSE  
FOR VARIOUS INPUT OVERDRIVES**



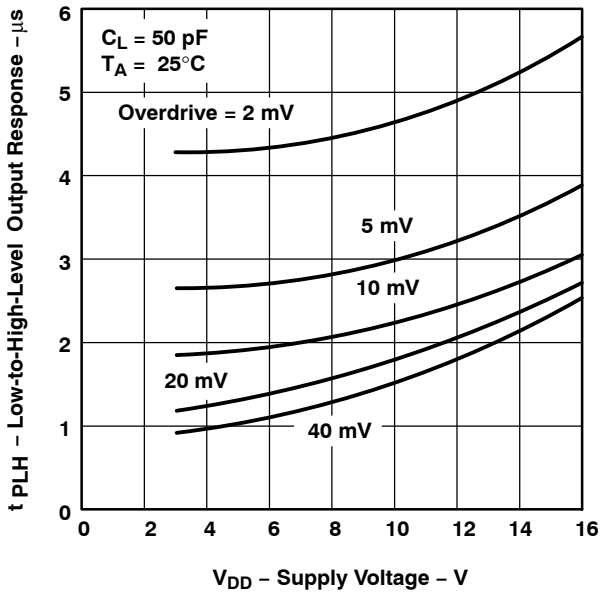
**Figure 18**

**HIGH-TO-LOW-LEVEL OUTPUT RESPONSE  
FOR VARIOUS INPUT OVERDRIVES**



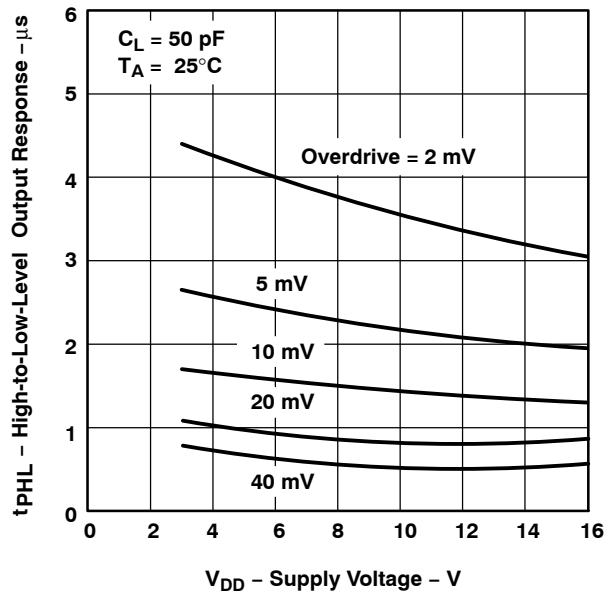
**Figure 19**

**LOW-TO-HIGH-LEVEL  
OUTPUT RESPONSE TIME  
vs  
SUPPLY VOLTAGE**



**Figure 20**

**HIGH-TO-LOW-LEVEL  
OUTPUT RESPONSE TIME  
vs  
SUPPLY VOLTAGE**



**Figure 21**





# TLC3702 DUAL MICROPOWER LinCMOS™ VOLTAGE COMPARATORS

SLCS013E – NOVEMBER 1986 – REVISED MARCH 2012

## TYPICAL CHARACTERISTICS†



† Data at high and low temperatures are applicable only within the rated operating free-air temperature ranges of the various devices.

# TLC3702 DUAL MICROPOWER LinCMOS™ VOLTAGE COMPARATORS

SLCS013E – NOVEMBER 1986 – REVISED MARCH 2012

## APPLICATION INFORMATION

The inputs should always remain within the supply rails in order to avoid forward biasing the diodes in the electrostatic discharge (ESD) protection structure. If either input exceeds this range, the device is not damaged as long as the input is limited to less than 5 mA. To maintain the expected output state, the inputs must remain within the common-mode range. For example, at 25°C with  $V_{DD} = 5\text{ V}$ , both inputs must remain between  $-0.2\text{ V}$  and  $4\text{ V}$  to ensure proper device operation.

To ensure reliable operation, the supply should be decoupled with a capacitor ( $0.1\text{ }\mu\text{F}$ ) that is positioned as close to the device as possible.

The TLC3702 has internal ESD-protection circuits that prevent functional failures at voltages up to 2000 V as tested under MIL-STD-883C, Method 3015.2; however, care should be exercised in handling these devices as exposure to ESD may result in the degradation of the device parametric performance.

**Table of Applications**

	FIGURE
Pulse-width-modulated motor speed controller	25
Enhanced supply supervisor	26
Two-phase nonoverlapping clock generator	27
Micropower switching regulator	28



NOTES: A. The recommended minimum capacitance is  $10\text{ }\mu\text{F}$  to eliminate common ground switching noise.  
B. Adjust C1 for change in oscillator frequency.

**Figure 25. Pulse-Width-Modulated Motor Speed Controller**

## APPLICATION INFORMATION



NOTES: A.  $V_{(UNREG)} = 2.5 \frac{(R1 + R2)}{R2}$

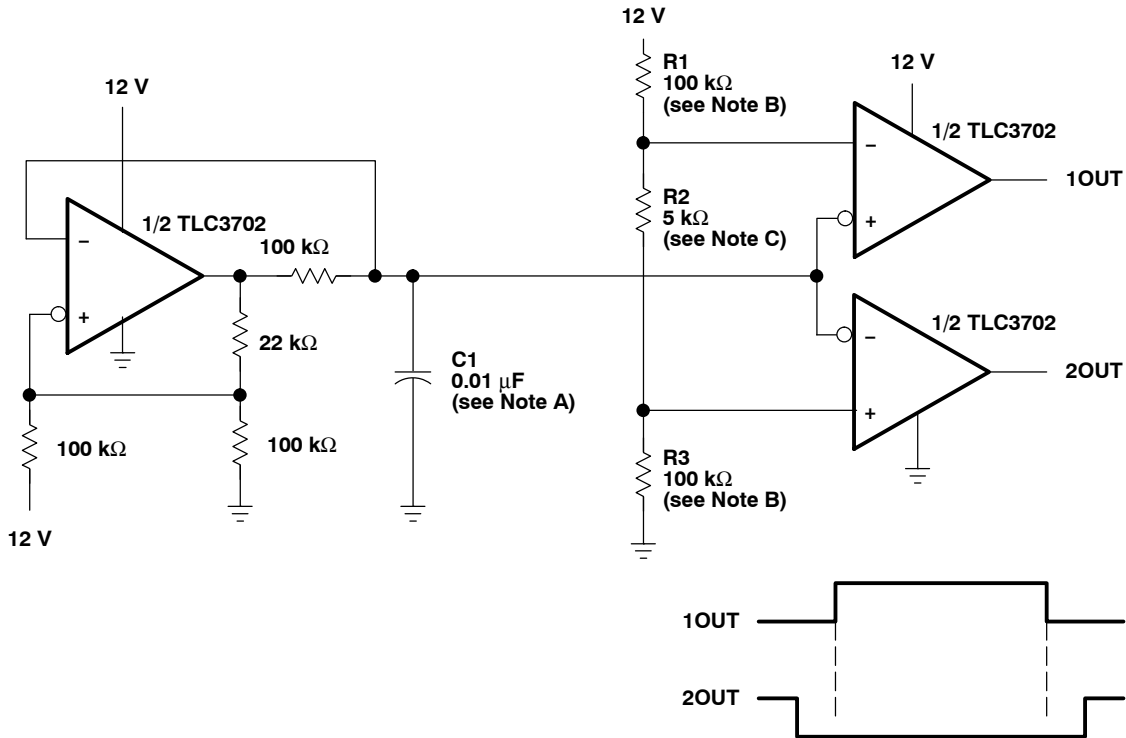
B. The value of C<sub>T</sub> determines the time delay of reset.

**Figure 26. Enhanced Supply Supervisor**

# TLC3702 DUAL MICROPPOWER LinCMOS™ VOLTAGE COMPARATORS

SLCS013E – NOVEMBER 1986 – REVISED MARCH 2012

## APPLICATION INFORMATION



- NOTES: A. Adjust C1 for a change in oscillator frequency where:  
 $1/f = 1.85(100 \text{ k}\Omega)C1$   
 B. Adjust R1 and R3 to change duty cycle  
 C. Adjust R2 to change deadtime

**Figure 27. Two-Phase Nonoverlapping Clock Generator**

# TLC3702

## DUAL MICROPOWER LinCMOS™ VOLTAGE COMPARATORS

SLCS013E – NOVEMBER 1986 – REVISED MARCH 2012

### APPLICATION INFORMATION

$$V_I = 6 \text{ V to } 16 \text{ V}$$

$$I_L = 0.01 \text{ mA to } 0.25 \text{ mA}$$

$$V_O = 2.5 \frac{(R1 + R2)}{R2}$$



- NOTES: A. Adjust  $C1$  for a change in oscillator frequency  
 B. TLC271 – Tie pin 8 to pin 7 for low bias operation  
 C. SK9504 –  $V_{DS} = 40 \text{ V}$   
 $I_{DS} = 1 \text{ A}$   
 D. To achieve microampere current drive, the inductance of the circuit must be increased.

**Figure 28. Micropower Switching Regulator**

**PACKAGING INFORMATION**

Orderable Device	Status (1)	Package Type	Package Drawing	Pins	Package Qty	Eco Plan (2)	Lead finish/ Ball material (6)	MSL Peak Temp (3)	Op Temp (°C)	Device Marking (4/5)	Samples
5962-9153201Q2A	ACTIVE	LCCC	FK	20	55	Non-RoHS & Green	SNPB	N / A for Pkg Type	-55 to 125	5962-9153201Q2A TLC3702 MFKB	<a href="#">Samples</a>
5962-9153201QPA	ACTIVE	CDIP	JG	8	50	Non-RoHS & Green	SNPB	N / A for Pkg Type	-55 to 125	9153201QPA TLC3702M	<a href="#">Samples</a>
5962-9153202QPA	ACTIVE	CDIP	JG	8	50	Non-RoHS & Green	SNPB	N / A for Pkg Type	-55 to 125	5962-9153202QPA	<a href="#">Samples</a>
TLC3702CD	OBSOLETE	SOIC	D	8		TBD	Call TI	Call TI	0 to 70	3702C	
TLC3702CDR	ACTIVE	SOIC	D	8	2500	RoHS & Green	NIPDAU	Level-1-260C-UNLIM	0 to 70	3702C	<a href="#">Samples</a>
TLC3702CDRG4	ACTIVE	SOIC	D	8	2500	TBD	Call TI	Call TI	0 to 70		<a href="#">Samples</a>
TLC3702CP	ACTIVE	PDIP	P	8	50	RoHS & Green	NIPDAU	N / A for Pkg Type	0 to 70	TLC3702CP	<a href="#">Samples</a>
TLC3702CPS	ACTIVE	SO	PS	8	80	RoHS & Green	NIPDAU	Level-1-260C-UNLIM	0 to 70	P3702	<a href="#">Samples</a>
TLC3702CPSR	ACTIVE	SO	PS	8	2000	RoHS & Green	NIPDAU	Level-1-260C-UNLIM	0 to 70	P3702	<a href="#">Samples</a>
TLC3702CPW	OBSOLETE	TSSOP	PW	8		TBD	Call TI	Call TI	0 to 70	P3702	
TLC3702CPWR	ACTIVE	TSSOP	PW	8	2000	RoHS & Green	NIPDAU	Level-1-260C-UNLIM	0 to 70	P3702	<a href="#">Samples</a>
TLC3702ID	OBSOLETE	SOIC	D	8		TBD	Call TI	Call TI	-40 to 85	3702I	
TLC3702IDR	ACTIVE	SOIC	D	8	2500	RoHS & Green	NIPDAU	Level-1-260C-UNLIM	-40 to 85	3702I	<a href="#">Samples</a>
TLC3702IP	ACTIVE	PDIP	P	8	50	RoHS & Green	NIPDAU	N / A for Pkg Type	-40 to 85	TLC3702IP	<a href="#">Samples</a>
TLC3702IPE4	ACTIVE	PDIP	P	8	50	RoHS & Green	NIPDAU	N / A for Pkg Type	-40 to 85	TLC3702IP	<a href="#">Samples</a>
TLC3702IPW	OBSOLETE	TSSOP	PW	8		TBD	Call TI	Call TI	-40 to 85	P3702I	
TLC3702IPWR	ACTIVE	TSSOP	PW	8	2000	RoHS & Green	NIPDAU	Level-1-260C-UNLIM	-40 to 85	P3702I	<a href="#">Samples</a>
TLC3702IPWRG4	ACTIVE	TSSOP	PW	8	2000	TBD	Call TI	Call TI	-40 to 85		<a href="#">Samples</a>
TLC3702MD	OBSOLETE	SOIC	D	8		TBD	Call TI	Call TI	-55 to 125	3702M	
TLC3702MDG4	OBSOLETE	SOIC	D	8		TBD	Call TI	Call TI	-55 to 125	3702M	

Orderable Device	Status (1)	Package Type	Package Drawing	Pins	Package Qty	Eco Plan (2)	Lead finish/ Ball material (6)	MSL Peak Temp (3)	Op Temp (°C)	Device Marking (4/5)	Samples
TLC3702MDR	ACTIVE	SOIC	D	8	2500	RoHS & Green	NIPDAU	Level-1-260C-UNLIM	-55 to 125	3702M	<a href="#">Samples</a>
TLC3702MDRG4	ACTIVE	SOIC	D	8	2500	RoHS & Green	NIPDAU	Level-1-260C-UNLIM	-55 to 125	3702M	<a href="#">Samples</a>
TLC3702MFKB	ACTIVE	LCCC	FK	20	55	Non-RoHS & Green	SNPB	N / A for Pkg Type	-55 to 125	5962- 9153201Q2A TLC3702 MFKB	<a href="#">Samples</a>
TLC3702MJG	ACTIVE	CDIP	JG	8	50	Non-RoHS & Green	SNPB	N / A for Pkg Type	-55 to 125	TLC3702MJG	<a href="#">Samples</a>
TLC3702MJGB	ACTIVE	CDIP	JG	8	50	Non-RoHS & Green	SNPB	N / A for Pkg Type	-55 to 125	9153201QPA TLC3702M	<a href="#">Samples</a>

(1) The marketing status values are defined as follows:

**ACTIVE:** Product device recommended for new designs.

**LIFEBUY:** TI has announced that the device will be discontinued, and a lifetime-buy period is in effect.

**NRND:** Not recommended for new designs. Device is in production to support existing customers, but TI does not recommend using this part in a new design.

**PREVIEW:** Device has been announced but is not in production. Samples may or may not be available.

**OBSELETE:** TI has discontinued the production of the device.

(2) **RoHS:** TI defines "RoHS" to mean semiconductor products that are compliant with the current EU RoHS requirements for all 10 RoHS substances, including the requirement that RoHS substance do not exceed 0.1% by weight in homogeneous materials. Where designed to be soldered at high temperatures, "RoHS" products are suitable for use in specified lead-free processes. TI may reference these types of products as "Pb-Free".

**RoHS Exempt:** TI defines "RoHS Exempt" to mean products that contain lead but are compliant with EU RoHS pursuant to a specific EU RoHS exemption.

**Green:** TI defines "Green" to mean the content of Chlorine (Cl) and Bromine (Br) based flame retardants meet JS709B low halogen requirements of <=1000ppm threshold. Antimony trioxide based flame retardants must also meet the <=1000ppm threshold requirement.

(3) MSL, Peak Temp. - The Moisture Sensitivity Level rating according to the JEDEC industry standard classifications, and peak solder temperature.

(4) There may be additional marking, which relates to the logo, the lot trace code information, or the environmental category on the device.

(5) Multiple Device Markings will be inside parentheses. Only one Device Marking contained in parentheses and separated by a "-" will appear on a device. If a line is indented then it is a continuation of the previous line and the two combined represent the entire Device Marking for that device.

(6) Lead finish/Ball material - Orderable Devices may have multiple material finish options. Finish options are separated by a vertical ruled line. Lead finish/Ball material values may wrap to two lines if the finish value exceeds the maximum column width.

**Important Information and Disclaimer:** The information provided on this page represents TI's knowledge and belief as of the date that it is provided. TI bases its knowledge and belief on information provided by third parties, and makes no representation or warranty as to the accuracy of such information. Efforts are underway to better integrate information from third parties. TI has taken and continues to take reasonable steps to provide representative and accurate information but may not have conducted destructive testing or chemical analysis on incoming materials and chemicals. TI and TI suppliers consider certain information to be proprietary, and thus CAS numbers and other limited information may not be available for release.

In no event shall TI's liability arising out of such information exceed the total purchase price of the TI part(s) at issue in this document sold by TI to Customer on an annual basis.

**OTHER QUALIFIED VERSIONS OF TLC3702, TLC3702M :**

- Catalog : [TLC3702](#)
  
- Automotive : [TLC3702-Q1](#), [TLC3702-Q1](#)
  
- Enhanced Product : [TLC3702-EP](#), [TLC3702-EP](#)
  
- Military : [TLC3702M](#)

NOTE: Qualified Version Definitions:

- Catalog - TI's standard catalog product
  
- Automotive - Q100 devices qualified for high-reliability automotive applications targeting zero defects
  
- Enhanced Product - Supports Defense, Aerospace and Medical Applications
  
- Military - QML certified for Military and Defense Applications



**TAPE AND REEL INFORMATION**

**QUADRANT ASSIGNMENTS FOR PIN 1 ORIENTATION IN TAPE**


\*All dimensions are nominal

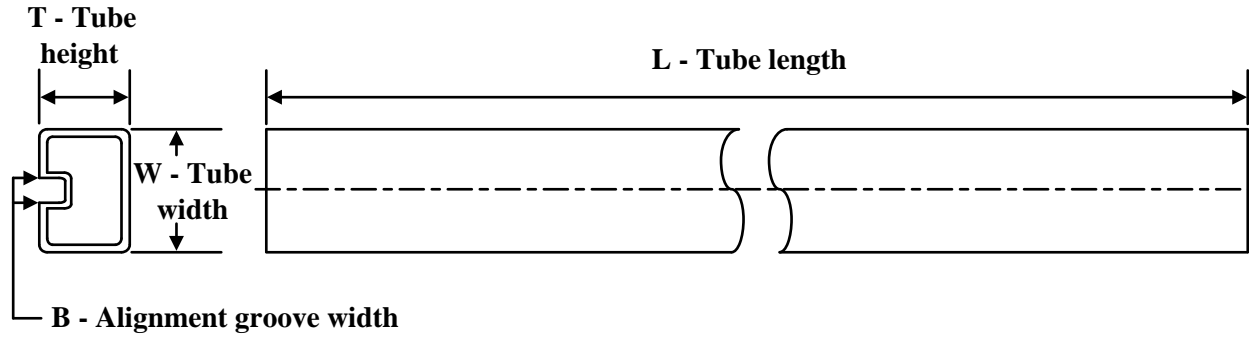
Device	Package Type	Package Drawing	Pins	SPQ	Reel Diameter (mm)	Reel Width W1 (mm)	A0 (mm)	B0 (mm)	K0 (mm)	P1 (mm)	W (mm)	Pin1 Quadrant
TLC3702CDR	SOIC	D	8	2500	330.0	12.4	6.4	5.2	2.1	8.0	12.0	Q1
TLC3702CDR	SOIC	D	8	2500	330.0	12.4	6.4	5.2	2.1	8.0	12.0	Q1
TLC3702CPSR	SO	PS	8	2000	330.0	16.4	8.35	6.6	2.5	12.0	16.0	Q1
TLC3702CPWR	TSSOP	PW	8	2000	330.0	12.4	7.0	3.6	1.6	8.0	12.0	Q1
TLC3702IDR	SOIC	D	8	2500	330.0	12.4	6.4	5.2	2.1	8.0	12.0	Q1
TLC3702IDR	SOIC	D	8	2500	330.0	12.4	6.4	5.2	2.1	8.0	12.0	Q1
TLC3702IPWR	TSSOP	PW	8	2000	330.0	12.4	7.0	3.6	1.6	8.0	12.0	Q1
TLC3702MDR	SOIC	D	8	2500	330.0	12.4	6.4	5.2	2.1	8.0	12.0	Q1
TLC3702MDRG4	SOIC	D	8	2500	330.0	12.4	6.4	5.2	2.1	8.0	12.0	Q1

## TAPE AND REEL BOX DIMENSIONS



\*All dimensions are nominal

Device	Package Type	Package Drawing	Pins	SPQ	Length (mm)	Width (mm)	Height (mm)
TLC3702CDR	SOIC	D	8	2500	356.0	356.0	35.0
TLC3702CDR	SOIC	D	8	2500	340.5	338.1	20.6
TLC3702CPSR	SO	PS	8	2000	356.0	356.0	35.0
TLC3702CPWR	TSSOP	PW	8	2000	356.0	356.0	35.0
TLC3702IDR	SOIC	D	8	2500	340.5	338.1	20.6
TLC3702IDR	SOIC	D	8	2500	356.0	356.0	35.0
TLC3702IPWR	TSSOP	PW	8	2000	356.0	356.0	35.0
TLC3702MDR	SOIC	D	8	2500	356.0	356.0	35.0
TLC3702MDRG4	SOIC	D	8	2500	356.0	356.0	35.0

**TUBE**


\*All dimensions are nominal

Device	Package Name	Package Type	Pins	SPQ	L (mm)	W (mm)	T (μm)	B (mm)
5962-9153201Q2A	FK	LCCC	20	55	506.98	12.06	2030	NA
TLC3702CD	D	SOIC	8	75	505.46	6.76	3810	4
TLC3702CD	D	SOIC	8	75	507	8	3940	4.32
TLC3702CP	P	PDIP	8	50	506	13.97	11230	4.32
TLC3702CPS	PS	SOP	8	80	530	10.5	4000	4.1
TLC3702ID	D	SOIC	8	75	507	8	3940	4.32
TLC3702IDG4	D	SOIC	8	75	507	8	3940	4.32
TLC3702IP	P	PDIP	8	50	506	13.97	11230	4.32
TLC3702IPE4	P	PDIP	8	50	506	13.97	11230	4.32
TLC3702IPW	PW	TSSOP	8	150	530	10.2	3600	3.5
TLC3702MD	D	SOIC	8	75	505.46	6.76	3810	4
TLC3702MFKB	FK	LCCC	20	55	506.98	12.06	2030	NA

## GENERIC PACKAGE VIEW

**FK 20**

**LCCC - 2.03 mm max height**

8.89 x 8.89, 1.27 mm pitch

LEADLESS CERAMIC CHIP CARRIER

This image is a representation of the package family, actual package may vary.  
Refer to the product data sheet for package details.



4229370VA\



D0008A

# PACKAGE OUTLINE

SOIC - 1.75 mm max height

SMALL OUTLINE INTEGRATED CIRCUIT



4214825/C 02/2019

NOTES:

- Linear dimensions are in inches [millimeters]. Dimensions in parenthesis are for reference only. Controlling dimensions are in inches. Dimensioning and tolerancing per ASME Y14.5M.
- This drawing is subject to change without notice.
- This dimension does not include mold flash, protrusions, or gate burrs. Mold flash, protrusions, or gate burrs shall not exceed  $.006$  [0.15] per side.
- This dimension does not include interlead flash.
- Reference JEDEC registration MS-012, variation AA.

# EXAMPLE BOARD LAYOUT

D0008A

SOIC - 1.75 mm max height

SMALL OUTLINE INTEGRATED CIRCUIT



LAND PATTERN EXAMPLE  
EXPOSED METAL SHOWN  
SCALE:8X



SOLDER MASK DETAILS

4214825/C 02/2019

NOTES: (continued)

6. Publication IPC-7351 may have alternate designs.

7. Solder mask tolerances between and around signal pads can vary based on board fabrication site.

# EXAMPLE STENCIL DESIGN

D0008A

SOIC - 1.75 mm max height

SMALL OUTLINE INTEGRATED CIRCUIT



SOLDER PASTE EXAMPLE  
BASED ON .005 INCH [0.125 MM] THICK STENCIL  
SCALE:8X

4214825/C 02/2019

NOTES: (continued)

8. Laser cutting apertures with trapezoidal walls and rounded corners may offer better paste release. IPC-7525 may have alternate design recommendations.
9. Board assembly site may have different recommendations for stencil design.

MECHANICAL DATA

PS (R-PDSO-G8)

PLASTIC SMALL-OUTLINE PACKAGE



- NOTES:
- A. All linear dimensions are in millimeters.
  - B. This drawing is subject to change without notice.
  - C. Body dimensions do not include mold flash or protrusion, not to exceed 0,15.



PS (R-PDSO-G8)

PLASTIC SMALL OUTLINE



- NOTES:
- All linear dimensions are in millimeters.
  - This drawing is subject to change without notice.
  - Publication IPC-7351 is recommended for alternate designs.
  - Laser cutting apertures with trapezoidal walls and also rounding corners will offer better paste release. Customers should contact their board assembly site for stencil design recommendations. Refer to IPC-7525 for other stencil recommendations.
  - Customers should contact their board fabrication site for solder mask tolerances between and around signal pads.

P (R-PDIP-T8)

PLASTIC DUAL-IN-LINE PACKAGE



- NOTES:
- A. All linear dimensions are in inches (millimeters).
  - B. This drawing is subject to change without notice.
  - C. Falls within JEDEC MS-001 variation BA.

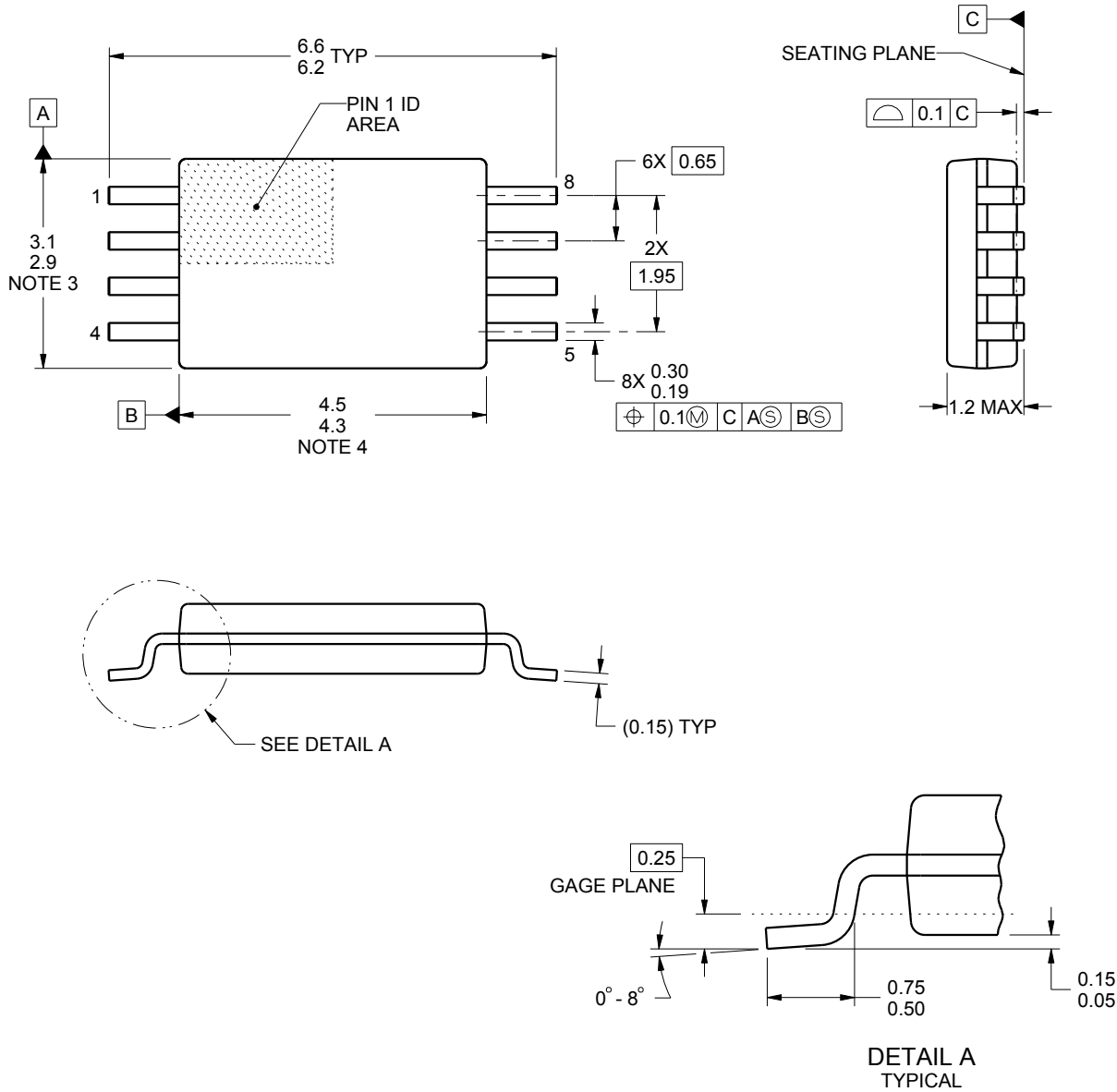
PW0008A



# PACKAGE OUTLINE

## TSSOP - 1.2 mm max height

SMALL OUTLINE PACKAGE



4221848/A 02/2015

### NOTES:

1. All linear dimensions are in millimeters. Any dimensions in parenthesis are for reference only. Dimensioning and tolerancing per ASME Y14.5M.
2. This drawing is subject to change without notice.
3. This dimension does not include mold flash, protrusions, or gate burrs. Mold flash, protrusions, or gate burrs shall not exceed 0.15 mm per side.
4. This dimension does not include interlead flash. Interlead flash shall not exceed 0.25 mm per side.
5. Reference JEDEC registration MO-153, variation AA.

# EXAMPLE BOARD LAYOUT

PW0008A

TSSOP - 1.2 mm max height

SMALL OUTLINE PACKAGE



LAND PATTERN EXAMPLE  
SCALE:10X



SOLDER MASK DETAILS  
NOT TO SCALE

4221848/A 02/2015

NOTES: (continued)

- 6. Publication IPC-7351 may have alternate designs.
- 7. Solder mask tolerances between and around signal pads can vary based on board fabrication site.

# EXAMPLE STENCIL DESIGN

PW0008A

TSSOP - 1.2 mm max height

SMALL OUTLINE PACKAGE



SOLDER PASTE EXAMPLE  
BASED ON 0.125 mm THICK STENCIL  
SCALE:10X

4221848/A 02/2015

NOTES: (continued)

8. Laser cutting apertures with trapezoidal walls and rounded corners may offer better paste release. IPC-7525 may have alternate design recommendations.
9. Board assembly site may have different recommendations for stencil design.

# PACKAGE OUTLINE

## JG0008A

### CDIP - 5.08 mm max height

CERAMIC DUAL IN-LINE PACKAGE



#### NOTES:

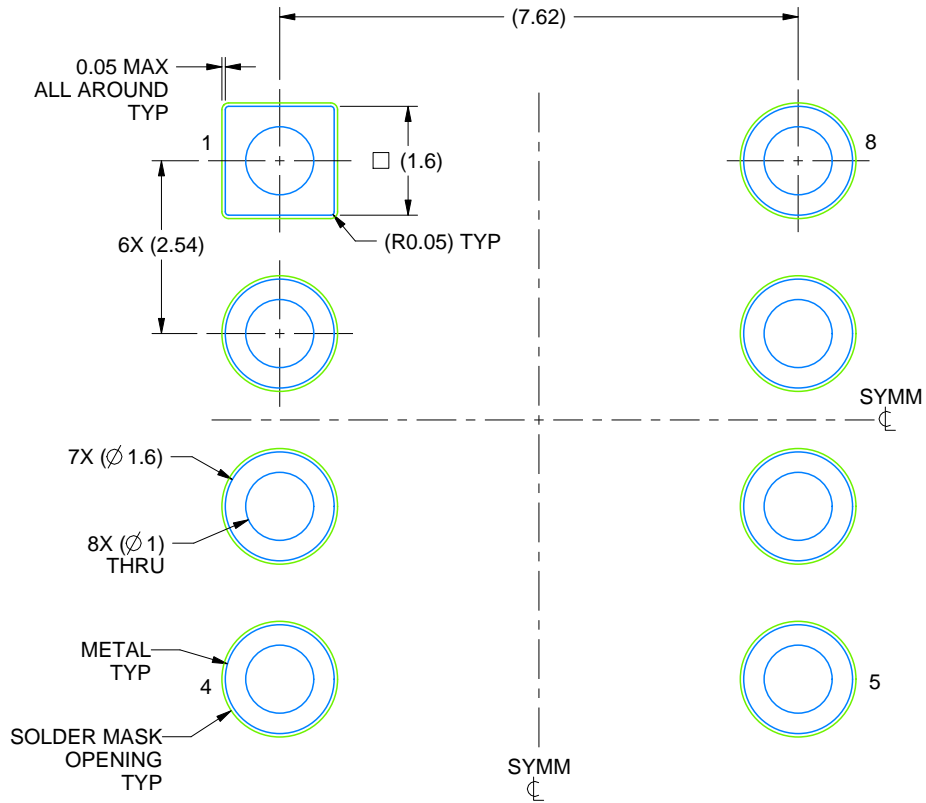
1. All linear dimensions are in millimeters. Any dimensions in parenthesis are for reference only. Dimensioning and tolerancing per ASME Y14.5M.
2. This drawing is subject to change without notice.
3. This package can be hermetically sealed with a ceramic lid using glass frit.
4. Index point is provided on cap for terminal identification.
5. Falls within MIL STD 1835 GDIP1-T8

# EXAMPLE BOARD LAYOUT

JG0008A

CDIP - 5.08 mm max height

CERAMIC DUAL IN-LINE PACKAGE



LAND PATTERN EXAMPLE  
NON SOLDER MASK DEFINED  
SCALE: 9X

4230036/A 09/2023

## IMPORTANT NOTICE AND DISCLAIMER

TI PROVIDES TECHNICAL AND RELIABILITY DATA (INCLUDING DATA SHEETS), DESIGN RESOURCES (INCLUDING REFERENCE DESIGNS), APPLICATION OR OTHER DESIGN ADVICE, WEB TOOLS, SAFETY INFORMATION, AND OTHER RESOURCES "AS IS" AND WITH ALL FAULTS, AND DISCLAIMS ALL WARRANTIES, EXPRESS AND IMPLIED, INCLUDING WITHOUT LIMITATION ANY IMPLIED WARRANTIES OF MERCHANTABILITY, FITNESS FOR A PARTICULAR PURPOSE OR NON-INFRINGEMENT OF THIRD PARTY INTELLECTUAL PROPERTY RIGHTS.

These resources are intended for skilled developers designing with TI products. You are solely responsible for (1) selecting the appropriate TI products for your application, (2) designing, validating and testing your application, and (3) ensuring your application meets applicable standards, and any other safety, security, regulatory or other requirements.

These resources are subject to change without notice. TI grants you permission to use these resources only for development of an application that uses the TI products described in the resource. Other reproduction and display of these resources is prohibited. No license is granted to any other TI intellectual property right or to any third party intellectual property right. TI disclaims responsibility for, and you will fully indemnify TI and its representatives against, any claims, damages, costs, losses, and liabilities arising out of your use of these resources.

TI's products are provided subject to [TI's Terms of Sale](#) or other applicable terms available either on [ti.com](https://www.ti.com) or provided in conjunction with such TI products. TI's provision of these resources does not expand or otherwise alter TI's applicable warranties or warranty disclaimers for TI products.

TI objects to and rejects any additional or different terms you may have proposed.

Mailing Address: Texas Instruments, Post Office Box 655303, Dallas, Texas 75265  
Copyright © 2024, Texas Instruments Incorporated