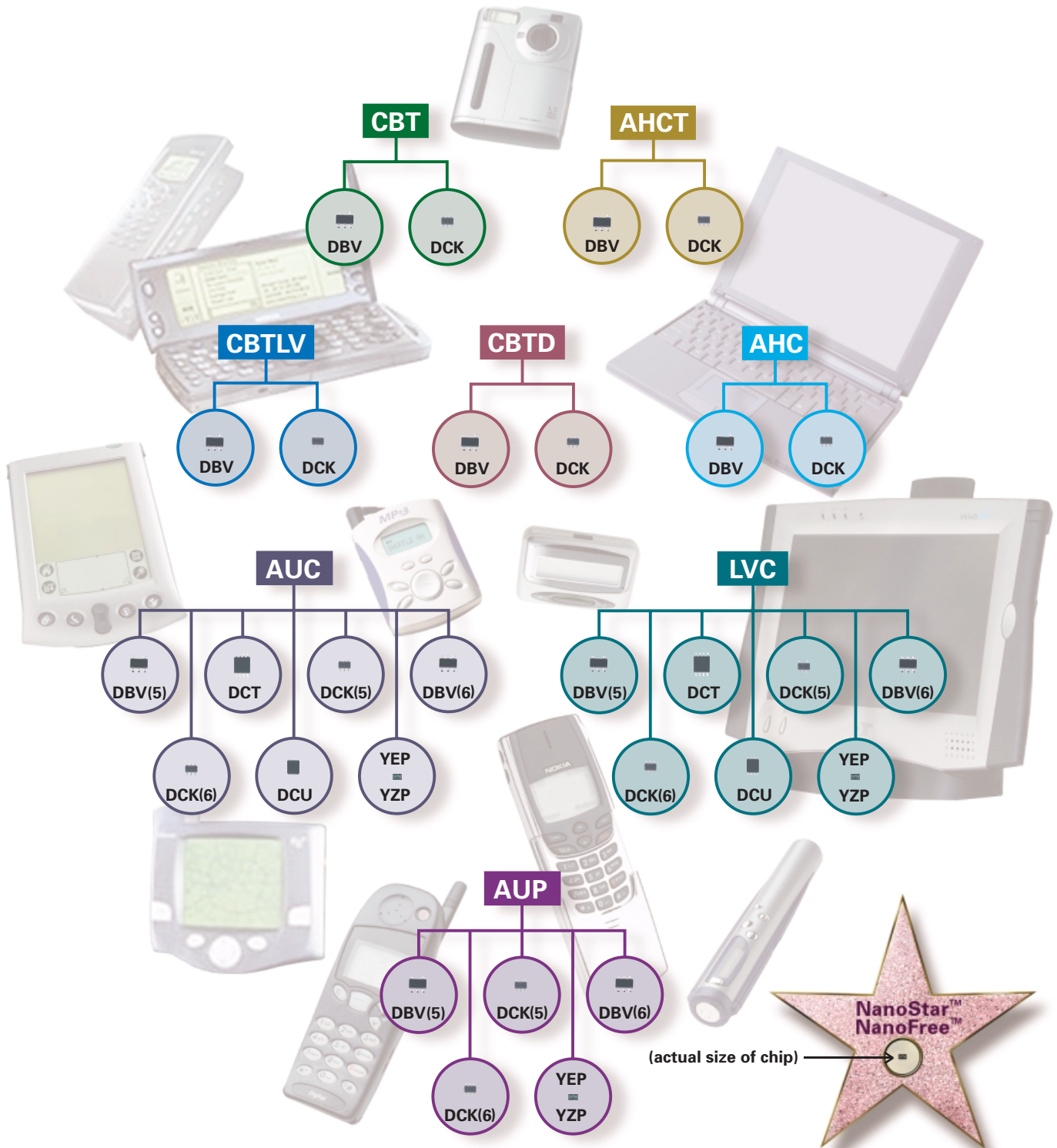


LITTLE LOGIC SELECTION GUIDE



A WINNING DESIGN IS LIKE A PUZZLE. TEXAS INSTRUMENTS GIVES YOU THE RIGHT PIECES.

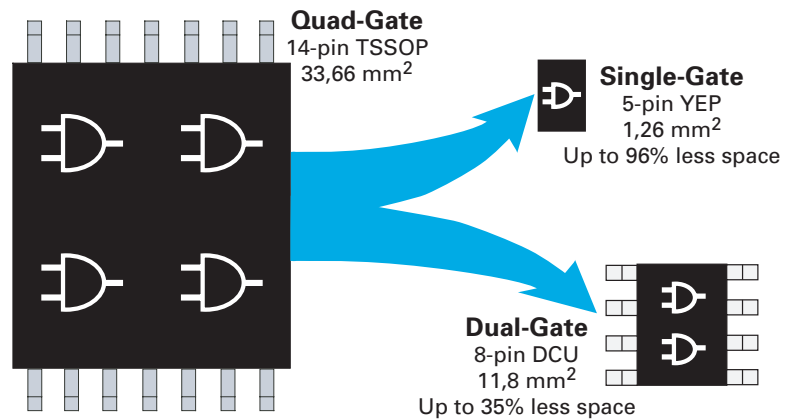
Little Logic devices from Texas Instruments (TI) are the pieces that help complete the design puzzle. Their extremely small size gives designers the ability to greatly simplify design routing and maximize ASIC design development. Little Logic devices in 5-pin SOT-23, 5-pin SC-70, 6-pin SOT-23, 6-pin SC-70, 8-pin SM-8, 8-pin US-8 and the NanoStar™ and NanoFree™ packages allow designers to place a particular gate function close to related circuitry, shortening and simplifying routes on a board. This represents a major advance over multiple-gate devices, which require the routing of multiple etches from distinct partitions on a printed circuit board (PCB) through one logic device. In addition, TI's Little Logic devices also allow designers to alter the output of an ASIC without redesign and

manufacture, effectively extending the life of the device and maximizing design investment. TI's growing line of Little Logic products is helping designers in almost every end-equipment build more simple, powerful and cost-effective designs. If you would like more information on how TI's Little Logic can help you put all your design pieces together, call your local TI Field Sales office or your authorized TI distributor. Or visit our Web site at:

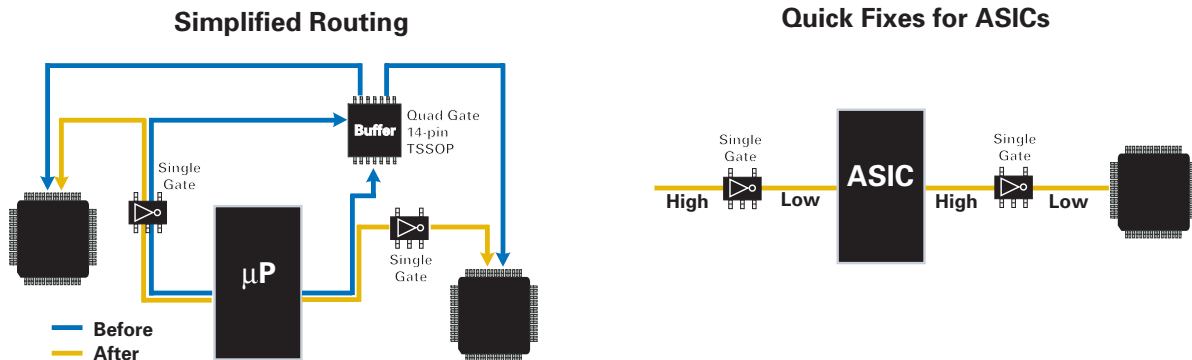
www.ti.com/littlelogic

CONTENTS	
Overview	2
Little Logic Products by Performance	3
Little Logic Signal Switches	4
Little Logic Configurables	4
Logic Migration to 3.3-V Future	4
Selection Guide	5
Single-Gate Functions	5
Dual-Gate Functions	6
Triple-Gate Functions	7
Signal-Switch Functions	7
Configurable Functions	8
Translation Functions	8
Cross-Reference	9
Competitor Cross-Reference	9
Part Number Definition	14
Competitor Part Prefixes	14
Packaging	15
Little Logic Packaging and Mechanical Data	15
Little Logic Package Cross-Reference	15
WCSP Design Summary	16
Introduction to NanoStar and NanoFree	16
Package Data	16
PCB Design Guidelines	18
IR Reflow Profile	19
Stencil Vitals	19
Thermal Characteristics	20
Board-Level Reliability Data	20
Board-Mounting Pick-Up Tools	20
WCSP Testability	20
Electrical Characteristics	21
Packaging Tape and Reel	21
Rework Procedure	22
Geometric Dimensional Tolerances	22
Resources and Support	23
On-Line Help	23
Literature	23
Little Logic Sample Requests	23
TI Worldwide Technical Support	24

Space-Saving Package Options



Little Logic Technology Simplifies Board Layout and Offers Better Overall Performance



LITTLE LOGIC PRODUCTS BY PERFORMANCE

Performance Comparisons

Family	Operating Voltage Range (V)	Optimized Voltage (V)	Propagation Delay - t_{pd} (typ) (ns)	Output Drive (mA)	Input Tolerance (V)	I _{off} Protection
AUP	0.8 to 3.6	3.3	3.5	4	3.6	Yes
AUC	0.8 to 2.7	1.8	2.0	8	3.6	Yes
LVC	1.65 to 5.5	3.3	3.0	24	5.5	Yes
AHC	2.0 to 5.5	5.0	5.0	8	5.5	No
AHCT	4.5 to 5.5	5.0	5.0	8	5.5	No
CBT	4.5 to 5.5	5.0	0.25 [†]	— [‡]	5.5	Yes
CBTD	4.5 to 5.5	5.0	0.25 [†]	— [‡]	5.5	Yes
CBTLV	2.3 to 3.6	3.3	0.25 [†]	— [‡]	3.6	Yes

[†]The propagation delay is the calculated RC time constant of the typical on-state resistance of the switch and the specified load capacitance, when driven by an ideal voltage source (zero output impedance). The value listed is a maximum.

[‡]The FET switch has no output drive. The drive current at the output terminal is determined by the drive current of the device connected at the input terminal of the FET switch.

<p>AHC (Advanced High-Speed CMOS)</p> <ul style="list-style-type: none"> Operating range: 2 to 5.5-V V_{CC} 5-ns typical t_{pd} <p>SN74AHC1G00 SN74AHC1G14 SN74AHC1G02 SN74AHC1G32 SN74AHC1G04 SN74AHC1G86 SN74AHC1GU04 SN74AHC1G125 SN74AHC1G08 SN74AHC1G126</p>	<p>LVC (Low-Voltage CMOS)</p> <ul style="list-style-type: none"> Operating range: 1.65 to 5.5-V V_{CC} 3.0-ns typical t_{pd} <p>SN74LVC1G00 SN74LVC1G38 SN74LVC1T45 SN74LVC2G80 SN74LVC1G02 SN74LVC1G57 SN74LVC2G00 SN74LVC2G86 SN74LVC1G04 SN74LVC1G58 SN74LVC2G02 SN74LVC2G125 SN74LVC1GU04 SN74LVC1G66 SN74LVC2G04 SN74LVC2G126 SN74LVC1G06 SN74LVC1G79 SN74LVC2GU04 SN74LVC2G157 SN74LVC1G07 SN74LVC1G80 SN74LVC2G06 SN74LVC2G240 SN74LVC1G08 SN74LVC1G86 SN74LVC2G07 SN74LVC2G241 SN74LVC1G10 SN74LVC1G97 SN74LVC2G08 SN74LVC2T45 SN74LVC1G11 SN74LVC1G98 SN74LVC2G14 SN74LVC3G04 SN74LVC1G14 SN74LVC1G125 SN74LVC2G17 SN74LVC3GU04 SN74LVC1G17 SN74LVC1G126 SN74LVC2G32 SN74LVC3G06 SN74LVC1G18 SN74LVC1G240 SN74LVC2G34 SN74LVC3G07 SN74LVC1G19 SN74LVC1G332 SN74LVC2G53 SN74LVC3G14 SN74LVC1G27 SN74LVC1G373 SN74LVC2G66 SN74LVC3G17 SN74LVC1G32 SN74LVC1G374 SN74LVC2G74 SN74LVC3G34 SN74LVC1G34 SN74LVC1G3157 SN74LVC2G79</p>
<p>AHCT (Advanced High-Speed CMOS)</p> <ul style="list-style-type: none"> Operating range: 4.5 to 5.5-V V_{CC} 5.0-ns typical t_{pd} <p>SN74AHCT1G00 SN74AHCT1G32 SN74AHCT1G02 SN74AHCT1G86 SN74AHCT1G04 SN74AHCT1G125 SN74AHCT1G08 SN74AHCT1G126 SN74AHCT1G14</p>	<p>AUC (Advanced Ultra-Low-Voltage CMOS)</p> <ul style="list-style-type: none"> Operating range: 0.8 to 2.7-V V_{CC} 2.0-ns typical t_{pd} <p>SN74AUC1G00 SN74AUC1G79 SN74AUC2G08 SN74AUC2G126 SN74AUC1G02 SN74AUC1G80 SN74AUC2G14 SN74AUC2G157 SN74AUC1G04 SN74AUC1G86 SN74AUC2G17 SN74AUC2G240 SN74AUC1GU04 SN74AUC1G125 SN74AUC2G32 SN74AUC2G241 SN74AUC1G06 SN74AUC1G126 SN74AUC2G34 SN74AUC3G04 SN74AUC1G07 SN74AUC1G240 SN74AUC2G53 SN74AUC3GU04 SN74AUC1G08 SN74AUC2G00 SN74AUC2G66 SN74AUC3G06 SN74AUC1G14 SN74AUC2G02 SN74AUC2G74 SN74AUC3G07 SN74AUC1G17 SN74AUC2G04 SN74AUC2G79 SN74AUC3G14 SN74AUC1G32 SN74AUC2GU04 SN74AUC2G80 SN74AUC3G17 SN74AUC1G66 SN74AUC2G06 SN74AUC2G86 SN74AUC3G34 SN74AUC1G74 SN74AUC2G07 SN74AUC2G125</p>

LITTLE LOGIC SIGNAL SWITCHES

CBT (Bus Switch)

- Operating range: 4-V to 5.5-V V_{CC}
- 0.25-ns typical t_{pd}

SN74CBT1G125 SN74CBT1G384
SN74CBTD1G125 SN74CBTD1G384

CBTLV (Low-Voltage Bus Switch)

- Operating range: 2.3-V to 3.6-V V_{CC}
- 0.25-ns typical t_{pd}

SN74CBTLV1G125

CB3T (Low-Voltage Translation Bus Switch)

- Operating range: 2.3-V to 3.6-V V_{CC}
- 0.25-ns typical t_{pd}

SN74CB3T1G125

LVC (Low-Voltage CMOS)

- Operating range: 1.8-V to 5.5-V V_{CC}
- 3.0-ns typical t_{pd}

SN74LVC1G66 SN74LVC2G53
SN74LVC1G3157 SN74LVC2G66

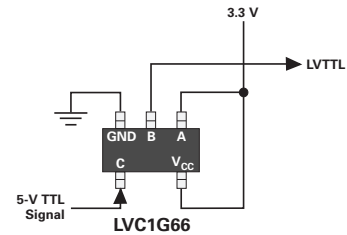
AUC (Advanced Ultra-Low-Voltage CMOS)

- Operating range: 0.8-V to 2.7-V V_{CC}
- 2.0-ns typical t_{pd}

SN74AUC1G66 SN74AUC2G66
SN74AUC2G53

LVC1G66 TTL-to-LVTTL Level Shifter

The LVC1G66 can be used for simple translation from 5-V TTL levels to LVTTL. The control pin is tolerant to 5.5 V and, with a maximum r_{on} of 15 Ω at $V_{CC} = 3.3$ V, the voltage drop across the switch is only 0.36 V with 24 mA of through current.



Visit www.ti.com/signalswitches for the Application Report, *Selecting the Right TI Signal Switch*.

LITTLE LOGIC CONFIGURABLES

AUP (Advanced Ultra-Low-Power CMOS)

- Operating range: 0.8-V to 3.6-V V_{CC}
- 3.5-ns typical t_{pd}

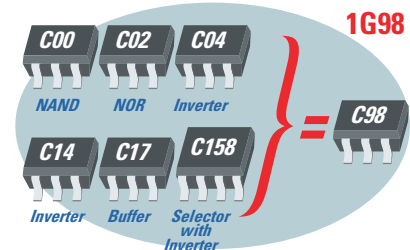
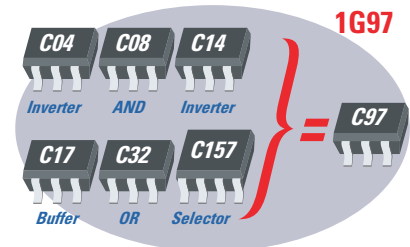
SN74AUP1G57 SN74AUP1G58
SN74AUP1G97 SN74AUP1G98

LVC (Low-Voltage CMOS)

- Operating range: 1.8-V to 5.5-V V_{CC}
- 3.0-ns typical t_{pd}

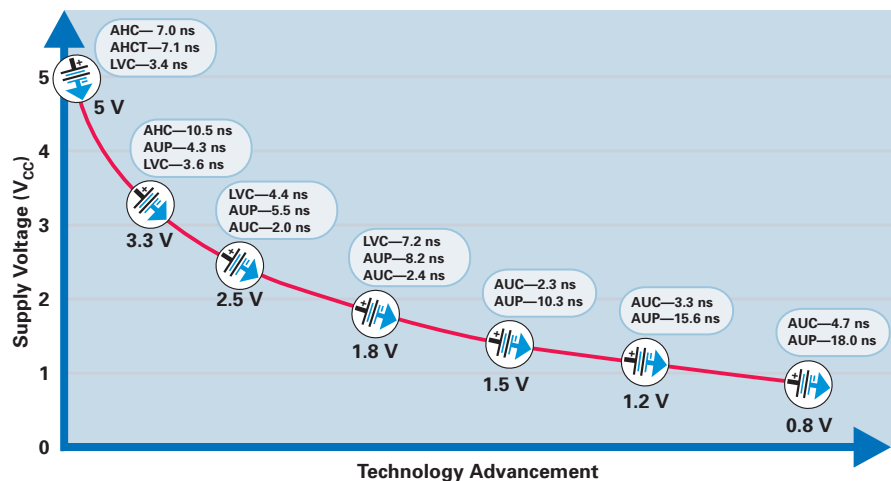
SN74LVC1G57 SN74LVC1G58
SN74LVC1G97 SN74LVC1G98

The next-generation configurable devices in the Little Logic portfolio are the 1G97/98 functions in both the LVC and AUP technologies. By providing nine single-gate logic solutions in one device, the 1G97/98 allows reductions in device inventory and simplifies part management.



LOGIC MIGRATION TO 3.3-V FUTURE

As portable electronics designers look to extend battery life, operating voltages decrease. TI makes the migration to lower operating system voltages simple by offering numerous logic technologies with mixed voltage operation from 5.0-V to 0.8-V. The graph represents TI's logic technology offering in Little Logic at various operating voltages and propagation delays.



SINGLE-GATE FUNCTIONS

Function	Description	Performance					Package					
		AHC	AHCT	LVC	AUC	AUP	DBV	DCK	DCT	DCU	YEP	YZP*
1G00	Single 2 Input NAND Gate	A	A	A	A		A	A			A	A
1G02	Single 2 Input NOR Gate	A	A	A	A		A	A			A	A
1G04	Single Inverter	A	A	A	A		A	A			A	A
1GU04	Single Unbuffered Inverter	A	A	A	A		A	A			A	A
1G06	Single Inverter Buffer/Driver w/Open Drain Output			A	A		A	A			A	A
1G07	Single Buffer/Driver w/Open Drain Output			A	A		A	A			A	A
1G08	Single 2-Input AND Gate	A	A	A	A	A	A	A			A	A
1G10	Single 3-Input NAND Gate			A			A	A			A	A
1G11	Single 3-Input AND Gate			A			A	A			A	A
1G14	Single Schmitt Trigger Inverter	A	A	A	A		A	A			A	A
1G17	Single Schmitt Trigger Buffer			A	A		A	A			A	A
1G18	1 of 2 Non-Inverting Mux			A	P		A	A			A	A
1G19	1 of 2 Decoder/Demultiplexer			A			A	A			A	A
1G27	Single 3-Input NOR Gate			A			A	A			A	A
1G32	Single 2-Input OR Gate	A	A	A	A		A	A			A	A
1G34	Single Buffer Gate			A			A	A				
1G38	Single 2-Input NAND Gate w/Open Drain Output			P			P	P				
1G74	Single Positive-Edge-Triggered D-Type Flip-Flop				A				A	A	A	A
1G79	Single D-Type Flip-Flop			A	A		A	A			A	A
1G80	Single D-Type Flip-Flop			A	A		A	A			A	A
1G86	Single 2-Input Exclusive-OR Gate	A	A	A	A		A	A			A	A
1G125	Single Bus Buffer Gate w/3-State Output	A	A	A	A		A	A			A	A
1G126	Single Bus Buffer Gate w/3-State Output	A	A	A	A		A	A			A	A
1G175	Single D-Type Flip-Flop w/Asynch Clr			A			A	A			P	P
1G240	Single Buffer/Driver w/3-State Output			A	A		A	A			A	A
1G332	Single 3-Input OR Gate			A			A	A			A	A
1G373	Single D-Type Latch w/3-State Output			A			A	A			P	P
1G374	Single D-Type Flip-Flop w/3-State Output			A			A	A			P	P
1G386	Single 3-Input Exclusive-OR Gate			A			A	A			A	A

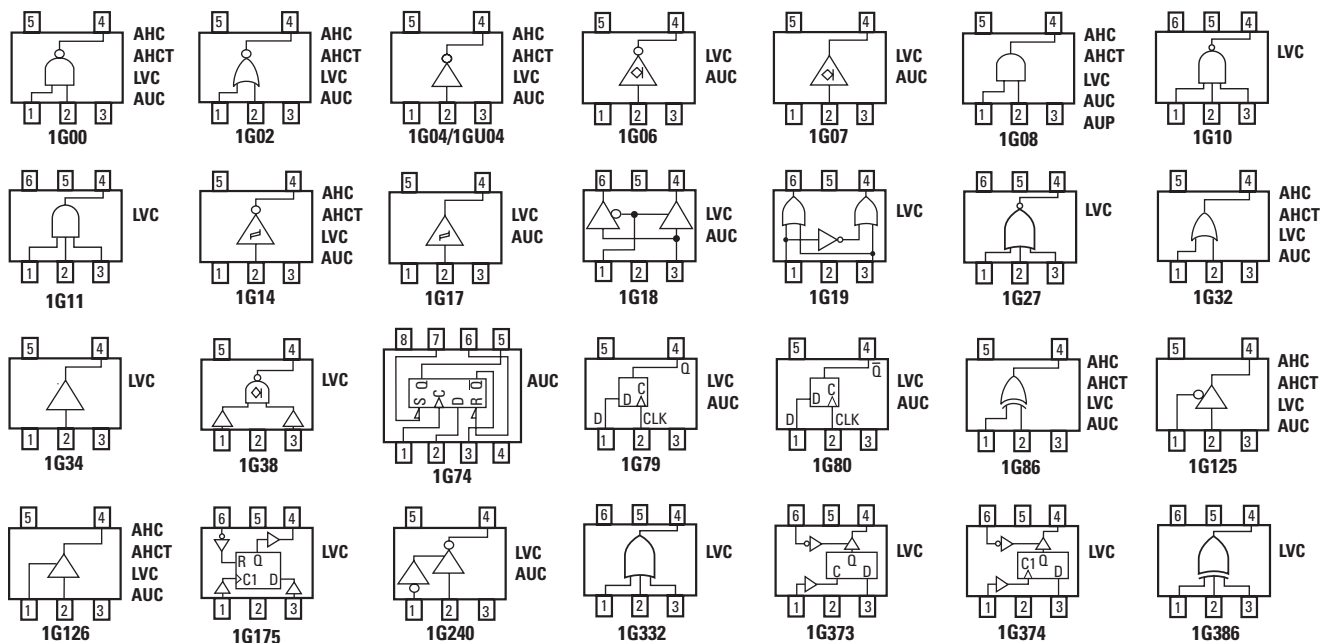
*YZP (NanoFree) is the Pb-Free version of NanoStar.

A = Available

P = Planned

NOTE: Visit www.ti.com/littlelogic for product release updates. Information above valid as of April 2004.

Single-Gate Diagrams



DUAL-GATE FUNCTIONS

Function	Description	Performance		Package					
		LVC	AUC	DBV (6)	DCK (6)	DCT	DCU	YEP	YZP*
2G00	Dual 2-Input NAND Gate	A	A			A	A	A	A
2G02	Dual 2-Input NOR Gate	A	A			A	A	A	A
2G04	Dual Inverter	A	A	A	A	P	P	A	A
2GU04	Dual Unbuffered Inverter	A	A	A	A			A	A
2G06	Dual Inverter w/Open Drain Output	A	A	A	A			A	A
2G07	Dual Non-Inverter w/Open Drain Output	A	A	A	A			A	A
2G08	Dual 2-Input AND Gate	A	A			A	A	A	A
2G14	Dual Schmitt Inverter	A	P	A	A			A	A
2G17	Dual Schmitt Trigger Input Buffers	A		A	A			A	A
2G32	Dual 2-input OR Gate	A	A			A	A	A	A
2G34	Dual Non-Inverter	A	A	A	A			A	A
2G38	Dual 2-Input NAND Gate w/Open Drain Output	A				A	A		
2G53	2:1 Analog Multiplexer/Demultiplexer	A	A			A	A	A	A
2G74	Single Positive Edge Triggered D-Type Flip Flop w/Clear & Reset	A				A	A	A	A
2G79	Dual Positive-Edge-Triggered D-Type Flip-Flop	P	A			A	A	A	A
2G80	Dual Positive-Edge-Triggered D-Type Flip-Flop	P	A			A	A	A	A
2G86	Dual 2-Input Exclusive-OR Gate	A	A			A	A	A	A
2G125	Dual Bus Buffer Gate w/3-State Outputs	A	A			A	A	A	A
2G126	Dual Bus Buffer Gate w/3-State Outputs	A	A			A	A	A	A
2G157	Single 2 Line to 1 Line Data Selector/Multiplexer	A	P			A	A	A	A
2G240	Dual Bus Buffer Gate w/3-State Outputs	A	A			A	A	A	A
2G241	Dual Buffer/Driver w/3-State Outputs	A	A			A	A	A	A

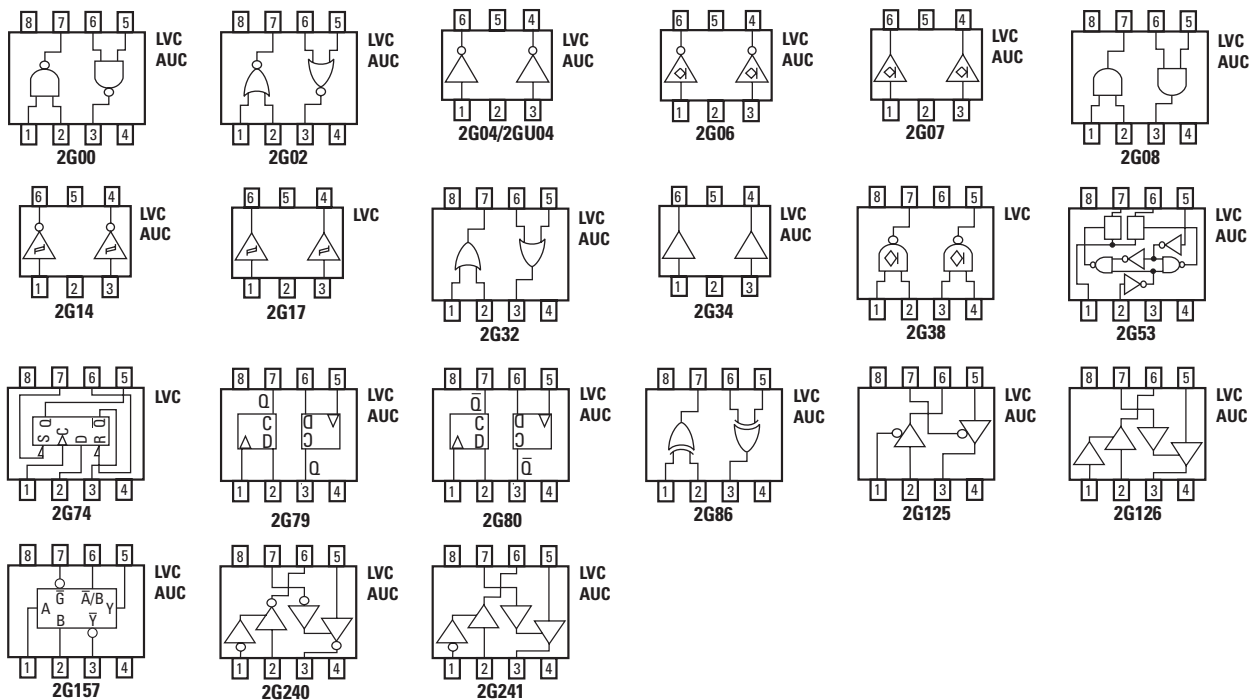
*YZP (NanoFree) is the Pb-Free version of NanoStar.

A = Available

P = Planned

NOTE: Visit www.ti.com/littlelogic for product release updates. Information above valid as of April 2004.

Dual-Gate Diagrams



TRIPLE-GATE FUNCTIONS

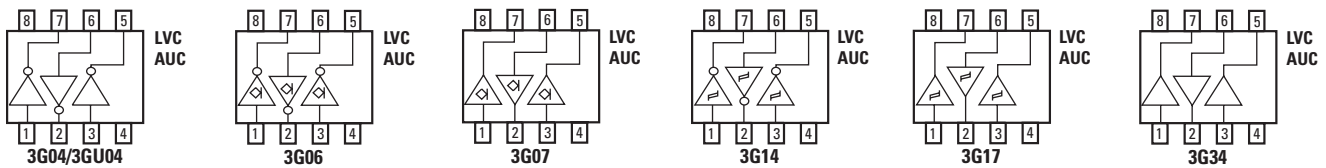
Function	Description	Performance		Package			
		LVC	AUC	DCT	DCU	YEP	YZP*
3G04	Triple Inverter Gate	A	P	A	A	A	A
3GU04	Triple Inverter Gate (Unbuffered)	A	P	A	A	A	A
3G06	Triple Inverter Buffer/Driver w/Open Drain Output	A	P	A	A	A	A
3G07	Triple Buffer/Driver w/Open Drain Output	A	P	A	A	A	A
3G14	Triple Schmitt Trigger Inverter	A	P	A	A	A	A
3G17	Triple Schmitt Trigger Buffer	A	P	A	A	A	A
3G34	Triple Buffer Gate	A	P	A	A	A	A

*YZP (NanoFree) is the Pb-Free version of NanoStar.

A = Available P = Planned

NOTE: Visit www.ti.com/littlelogic for product release updates. Information above valid as of April 2004.

Triple-Gate Diagrams



SIGNAL-SWITCH FUNCTIONS

Function	Description	Performance						Packaging							
		CBT	CB3T	CBTD	CBTLV	LVC	AUC	DBV (5)	DCK (5)	DBV (6)	DCK (6)	DCT	DCU	YEP	YZP*
1G66	Single Analog Switch					A	A	A	A					A	A
1G125	Single FET Bus Switch	A	A	A	A			A	A					P	P
1G384	Single FET Bus Switch	A		A				A	A					P	P
1G3157	Single-Pole, Double-Throw (SPDT) Analog Switch					A				A	A			A	A
2G53	Single-Pole, Double-Throw (SPDT) Analog Switch					A	A					A	A	A	A
2G66	Dual Analog Switch					A	A					A	A	A	A

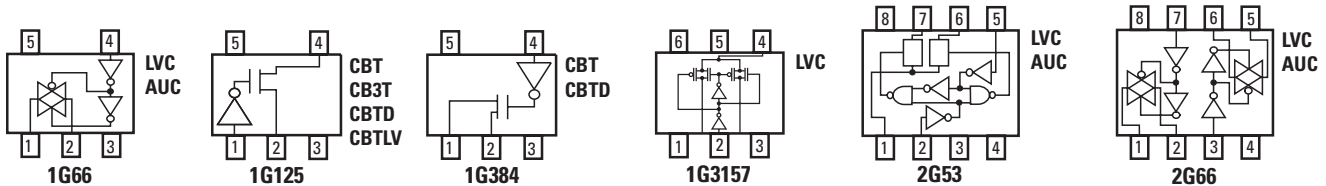
*YZP (NanoFree) is the Pb-Free version of NanoStar.

A = Available

P = Planned

NOTE: Visit www.ti.com/littlelogic for product release updates. Information above valid as of April 2004.

Signal-Switch Diagrams



CONFIGURABLE FUNCTIONS

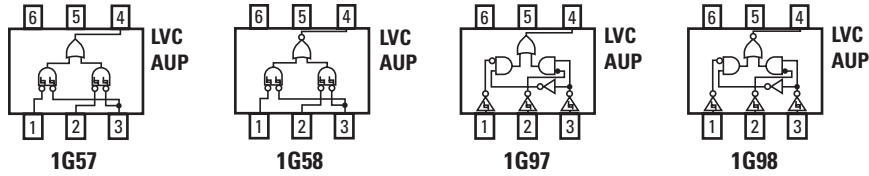
Function	Description	Performance		Package			
		LVC	AUP	DBV	DCK	YEP	YZP*
1G57	Configurable Multiple-Function Gate	A	A	A	A	A	A
1G58	Configurable Multiple-Function Gate	A	A	A	A	A	A
1G97	Configurable Multiple-Function Gate	A	A	A	A	A	A
1G98	Configurable Multiple-Function Gate	A	A	A	A	A	A

*YZP (NanoFree) is the Pb-Free version of NanoStar.

A = Available P = Planned

NOTE: Visit www.ti.com/littlelogic for product release updates. Information above valid as of April 2004.

Configurable Diagrams



TRANSLATION FUNCTIONS

Function	Description	Performance		Package						
		LVC	AVC	DBV	DCK	DCT	DCU	YEP	YZP*	
1T45	Single-Bit Dual-Supply Transceiver w/Configurable Voltage Translation and 3-State Outputs	A	P	A	A				P	P
2T45	Dual-Bit Dual-Supply Transceiver w/Configurable Voltage Translation and 3-State Outputs	A	P			A	A		P	P

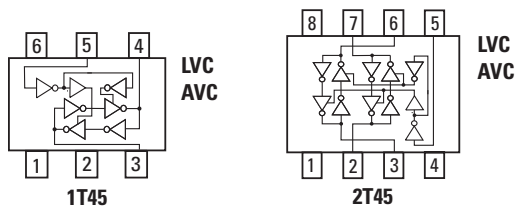
*YZP (NanoFree) is the Pb-Free version of NanoStar.

A = Available

P = Planned

NOTE: Visit www.ti.com/littlelogic for product release updates. Information above valid as of April 2004.

Translation Diagrams



COMPETITOR CROSS-REFERENCE

AHC Devices (5-pin, unless noted)

For up-to-date cross-reference information, visit www.ti.com/littlelogic

Function	Company (Prefix):	TI (AHC)	Toshiba (TC7S/W)	Fairchild (NC7S)	ON (VHC)	STMicro (V1G)	Philips
1G00	Single 2-Input NAND Gate	SN74AHC1G00	TC7SH00	NC7S00	MC74VHC1G00	74V1G00	74AHC1G00
1G02	Single 2-Input NOR	SN74AHC1G02	TC7SH02	NC7S02	MC74VHC1G02	74V1G02	74AHC1G02
1G04	Single Inverter	SN74AHC1G04	TC7SH04	NC7S04	MC74VHC1G04	74V1G04	74AHC1G04
1GU04	Single Inverter (Unbuffered)	SN74AHC1GU04	TC7SHU04	NC7SU04	MC74VHC1GU04	74V1GU04	74AHC1GU04
1G08	Single 2-Input AND	SN74AHC1G08	TC7SH08	NC7S08	MC74VHC1G08	74V1G08	74AHC1G08
1G14	Single Inverter w/Schmitt Trigger	SN74AHC1G14	TC7SH14	NC7S14	MC74VHC1G14	74V1G14	74AHC1G14
1G32	Single 2-Input OR	SN74AHC1G32	TC7SH32	NC7S32	MC74VHC1G32	74V1G32	74AHC1G32
1G86	Single 2-Input Exclusive-OR	SN74AHC1G86	TC7SH86	NC7S86	MC74VHC1G86	74V1G86	74AHC1G86
1G125	Single Bus Buffer Gate w/3-State	SN74AHC1G125			MC74VHC1G125	74V1G125	74AHC1G125
1G126	Single Bus Buffer Gate w/3-State	SN74AHC1G126			MC74VHC1G126	74V1G126	74AHC1G126

AHCT Devices (5-pin, unless noted)

Function	Company (Prefix):	TI (AHCT)	Toshiba (TC7SE/WT)	Fairchild (NC7ST)	ON (VHC1GT)	STMicro (V1T)	Philips
1G00	Single 2-Input NAND	SN74AHCT1G00	TC7SET00	NC7ST00	MC74VHC1GT00	74V1T00	74AHCT1G00
1G02	Single 2-Input NOR	SN74AHCT1G02	TC7SET02	NC7ST02	MC74VHC1GT02	74V1T02	74AHCT1G02
1G04	Single Inverter	SN74AHCT1G04	TC7SET04	NC7ST04	MC74VHC1GT04	74V1T04	74AHCT1G04
1G08	Single 2-Input AND	SN74AHCT1G08	TC7SET08	NC7ST08	MC74VHC1GT08	74V1T08	74AHCT1G08
1G14	Single Inverter w/Schmitt Trigger	SN74AHCT1G14			MC74VHC1GT14	74V1T14	74AHCT1G14
1G32	Single 2-Input OR	SN74AHCT1G32	TC7SET32	NC7ST32	MC74VHC1GT32	74V1T32	74AHCT1G32
1G86	Single 2-Input Exclusive-OR	SN74AHCT1G86	TC7SET86	NC7ST86	MC74VHC1GT86	74V1T86	74AHCT1G86
1G125	Single Bus Buffer Gate w/3-State	SN74AHCT1G125			MC74VHC1GT125	74V1T125	74AHCT1G125
1G126	Single Bus Buffer Gate w/3-State	SN74AHTC1G126			MC74VHC1GT126	74V1T126	74AHCT1G126

LVC Devices

Function	Company (Prefix):	TI (LVC)	Fairchild (NC7S/WZ)	ON (SZ)	Toshiba (TC7S/WZ)	Philips (LVC)	Pericom (STX)	STMicro (LX)	IDT (LVC)
Single Gate (5-pin, unless noted)									
1G00	Single 2-Input NAND	SN74LVC1G00	NC7SZ00	NL17SZ00	TC7SZ00	74LVC1G00	PI74STX1G00	74LX1G00	IDT74LVC1G00A
1G02	Single 2-Input NOR	SN74LVC1G02	NC7SZ02	NL17SZ02	TC7SZ02	74LVC1G02	PI74STX1G02	74LX1G02	IDT74LVC1G02
1G04	Single Inverter	SN74LVC1G04	NC7SZ04	NL17SZ04	TC7SZ04	74LVC1G04	PI74STX1G04	74LX1G04	IDT74LVC1G04A
1GU04	Single Inverter (Unbuffered)	SN74LVC1GU04	NC7SZU04	NL17SZU04	TC7SZU04	74LVC1GU04	PI74STX1GU04	74LX1GU04	IDT74LVC1GU04A
1GX04	Crystal Driver	SN74LVC1GX04 ¹				74LVC1GX04			
1G06	Single Inverter Buffer/Driver w/Open Drain	SN74LVC1G06		NL17SZ06		74LVC1G06			IDT74LVC1G06A
1G07	Single Buffer/Driver w/Open Drain	SN74LVC1G07		NL17SZ07		74LVC1G07		74LX1G07	IDT74LVC1G07A
1G08	Single 2-Input AND	SN74LVC1G08	NC7SZ08	NL17SZ08	TC7SZ08	74LVC1G08	PI74STX1G08	74LX1G08	IDT74LVC1G08A
1G10	Single 3-Input NAND	SN74LVC1G10	NC7SZ10 ²						
1G11	Single 3-Input AND	SN74LVC1G11 ²	NC7SZ11 ²						

¹Preview

²6-pin package

COMPETITOR CROSS-REFERENCE (Continued)

LVC Devices

Function	Company (Prefix):	TI (LVC)	Fairchild (NC7S/WZ)	ON (SZ)	Toshiba (TC7S/WZ)	Philips (LVC)	Pericom (STX)	STMicro (LX)	IDT (LVC)
Single Gate (5-pin, unless noted) (Continued)									
1G14	Single Inverter w/Schmitt Trigger	SN74LVC1G14	NC7SZ14	NL17SZ14		74LVC1G14	PI74STX1G14	74LX1G14	
1G17	Single Buffer w/Schmitt Trigger	SN74LVC1G17		NL17SZ17		74LVC1G17			
1G18	1 of 2 Non-Inverting Mux	SN74LVC1G18 ²	NC7SZ18 ²	NL7SZ18 ²		74LVC1G18 ²			
1G19	1 of 2 Decoder	SN74LVC1G19 ²	NC7SZ19 ²	NL7SZ19 ²		74LVC1G19 ²			
1G27	Single 3-Input NOR	SN74LVC1G27 ²	NC7SZ27 ²						
1G32	Single 2-Input OR	SN74LVC1G32	NC7SZ32	NL17SZ32	TC7SZ32	74LVC1G32	PI74STX1G32	74LX1G32	IDT74LVC1G32A
1G34	Single Buffer Gate	SN74LVC1G34		NL17SZ16					
1G38	Single 2-Input NAND w/Open Drain	SN74LVC1G38 ¹	NC7SZ38						
1G79	Single D-Type Flip-Flop	SN74LVC1G79				74LVC1G79	PI74STX1G79		IDT74LVC1G79A
1G80	Single D-Type Flip-Flop	SN74LVC1G80				74LVC1G80			
1G86	Single 2-Input EX-OR	SN74LVC1G86	NC7SZ86	NL17SZ86	TC7SZ86	74LVC1G86	PI74STX1G86	74LX1G86	IDT74LVC1G86A
1G125	Single Bus Buffer Gate w/3-State	SN74LVC1G125	NC7SZ125	NL17SZ125	TC7SZ125	74LVC1G125	PI74STX1G125	74LX1G125	IDT74LVC1G125A
1G126	Single Bus Buffer Gate w/3-State	SN74LVC1G126	NC7SZ126	NL17SZ126	TC7SZ126	74LVC1G126	PI74STX1G126	74LX1G126	IDT74LVC1G126A
1G132	Single 2-Input NAND w/Schmitt Trigger	SN74LVC1G132 ¹						74LX1G132	
1G157	2-input Non-Inverting Mux	SN74LVC1G157 ²	NC7SZ157 ²						
1G175	Single D-Type Flip-Flop w/Asynch Clr	SN74LVC1G175 ²	NC7SZ175 ²						
1G240	Single bus Buffer Gate w/3-state	SN74LVC1G240							
1G332	Single 3-Input OR	SN74LVC1G332 ²	NC7SZ332 ²						
1G373	Single D-Type Latch w/3-State	SN74LVC1G373 ²	NC7SZ373 ²						
1G374	Single D-Type Flip-Flop w/3-State	SN74LVC1G374 ²	NC7SZ374 ²						
1G386	Single 3-Input Exclusive-OR	SN74LVC1G386 ²	NC7SZ386 ²			74LVC1G386			
Dual Gate (8-pin, unless noted)									
2G00	Dual 2-Input NAND	SN74LVC2G00	NC7WZ00	NL27WZ00	TC7WZ00	74LVC2G00	PI74STX2G00		
2G02	Dual 2-Input NOR	SN74LVC2G02	NC7WZ02	NL27WZ02	TC7WZ02	74LVC2G02	PI74STX2G02		
2G04	Dual Inverter	SN74LVC2G04 ²	NC7WZ04 ²	NL27WZ04 ²	TC7WZ04	74LVC2G04 ²	PI74STX2G04		
2GU04	Dual Inverter (Unbuffered)	SN74LVC2GU04	NC7WZU04 ²	NL27WZU04 ²	TC7WZU04	74LVC2GU04 ²	PI74STX2GU04		
2G06	Dual Inverter Buffer/Driver w/Open Drain	SN74LVC2G06 ²		NL27WZ06 ²		74LVC2G06			
2G07	Dual Buffer/Driver w/Open Drain Output	SN74LVC2G07 ²	NC7WZ07 ²	NL27WZ07 ²		74LVC2G07 ²			
2G08	Dual 2-Input AND	SN74LVC2G08	NC7WZ08	NL27WZ08	TC7WZ08	74LVC2G08	PI74STX2G08		
2G14	Dual Inverter w/Schmitt Trigger	SN74LVC2G14 ²	NC7WZ14 ²	NL27WZ14 ²	TC7WZ14	74LVC2G14 ²	PI74STX2G14		
2G17	Dual Buffer w/Schmitt Trigger Input	SN74LVC2G17 ²	NC7WZ17 ²	NL27WZ17 ²		74LVC2G17 ²			
2G32	Dual 2-Input OR	SN74LVC2G32	NCWZ32	NL27WZ32	TC7WZ32	74LVC2G32	PI74STX2G32		
2G34	Dual Buffer Gate	SN74LVC2G34 ²	NC7WZ16 ²	NL27WZ16 ²	TC7WZ34	74LVC2G34 ²			
2G38	Dual 2-Input NAND w/Open Drain	SN74LVC2G38 ¹	NCWZ38		TC7WZ38	74LVC2G38			
2G74	D-Type Flip-Flop w/Pre & CLR	SN74LVC2G74	NC7SZ74	NL17SZ74	TC7WZ74		PI74STX2G74		
2G79	Dual D-Type Flip-Flop	SN74LVC2G79					PI74STX2G79		

¹Preview²6-pin package

COMPETITOR CROSS-REFERENCE (Continued)

LVC Devices (Continued)

Function	Company (Prefix):	TI (LVC)	Fairchild (NC7S/WZ)	ON (SZ)	Toshiba (TC7S/WZ)	Philips (LVC)	Pericom (STX)	STMicro (LX)	IDT (LVC)
Dual Gate (8-pin, unless noted) (Continued)									
2G80	Dual D-Type Flip-Flop	SN74LVC2G80							
2G86	Dual 2-Input Exclusive-OR	SN74LVC2G86	NC7WZ86	NL27WZ86		74LVC2G86	PI74STX2G86		
2G125	Dual Bus Buffer Gate w/3-State	SN74LVC2G125	NC7WZ125	NL27WZ125		74LVC2G125	PI74STX2G125		
2G126	Dual Bus Buffer Gate w/3-State	SN74LVC2G126	NC7WZ126	NL27WZ126		74LVC2G126	PI74STX2G126		
2G132	Dual 2-Input NAND w/Schmitt Trigger Input	SN74LVC2G132 ¹	NC7WZ132						
2G157	2-input Non-Inverting Mux	SN74LVC2G157							
2G240	Dual Bus Buffer Gate w/3-State	SN74LVC2G240	NC7WZ240			74LVC2G240			
2G241	Dual Bus Buffer Gate w/3-State	SN74LVC2G241	NC7WZ241			74LVC2G241			
Triple Gate (8-pin, unless noted)									
3G04	Triple Inverter	SN74LVC3G04	NC7NZ04	NL37WZ04	TC7WZ04		PI74STX3G04		
3GU04	Triple Inverter (Unbuffered)	SN74LVC3GU04 ¹	NC7NZU04		TC7WZU04		PI74STX3GU04		
3G06	Triple Inverter Buffer/Driver w/Open Drain	SN74LVC3G06		NL37WZ06					
3G07	Triple Buffer/Driver w/Open Drain	SN74LVC3G07		NL37WZ07					
3G14	Triple Inverter w/Schmitt Trigger	SN74LVC3G14	NC7NZ14	NL37WZ14	TC7WZ14		PI74STX3G14		
3G17	Triple Buffer w/Schmitt Trigger	SN74LVC3G17	NC7NZ17	NL37WZ17					
3G34	Triple Buffer	SN74LVC3G34	NC7NZ34	NL37WZ16	TC7WZ34				

¹Preview ²6-pin package

COMPETITOR CROSS-REFERENCE (Continued)

AUC Devices

Function	Company (Prefix):	TI (AUC)	Fairchild (NC7SV)	ON (SV)
Single Gate (5-pin, unless noted)				
1G1G00	Single 2-Input NAND	SN74AUC1G00	NC7SV00	NL17SV00
1G02	Single 2-Input NOR	SN74AUC1G02	NC7SV02	NL17SV02
1G04	Single Inverter	SN74AUC1G04	NC7SV04	NL17SV04
1GU04	Single Inverter (Unbuffered)	SN74AUC1GU04	NC7SVU04	
1G06	Single Inverter Buffer/Driver w/Open Drain	SN74AUC1G06		
1G07	Single Buffer/Driver w/Open Drain	SN74AUC1G07		
1G08	Single 2-Input AND	SN74AUC1G08	NC7SV08	NL17SV08
1G11	Single 3-Input AND	SN74AUC1G11 ¹	NC7SV11	
1G14	Single Inverter w/Schmitt Trigger	SN74AUC1G14	NC7SV14	
1G17	Single Buffer w/Schmitt Trigger	SN74AUC1G17	NC7SV17	
1G32	Single 2-Input OR	SN74AUC1G32	NC7SV32	NL17SV32
1G74	D-Type Flip-Flop w/Pre & CLR	SN74AUC1G74	NC7SV74	
1G79	Single D-Type Flip-Flop	SN74AUC1G79		
1G80	Single D-Type Flip-Flop	SN74AUC1G80		
1G86	Single 2-Input Exclusive-OR	SN74AUC1G86	NC7SV86	
1G125	Single Bus Buffer Gate w/3-State	SN74AUC1G125	NC7SV125	
1G126	Single Bus Buffer Gate w/3-State	SN74AUC1G126	NC7SV126	
1G240	Single Bus Buffer Gate w/3-State	SN74AUC1G240		
Dual Gate (8-pin, unless noted)				
2G00	Dual 2-Input NAND	SN74AUC2G00		
2G02	Dual 2-Input NOR	SN74AUC2G02		
2G04	Dual Inverter	SN74AUC2G04 ²	NC7WV04	
2GU04	Dual Inverter (Unbuffered)	SN74AUC2GU04		
2G06	Dual Inverter Buffer/Driver w/Open Drain Output	SN74AUC2G06 ²		
2G07	Dual Buffer/Driver w/Open Drain Output	SN74AUC2G07 ²	NC7WV07	
2G08	Dual 2-Input AND	SN74AUC2G08		
2G14	Dual Inverter w/Schmitt Trigger	SN74AUC2G14 ¹	NC7WV14	
2G17	Dual Buffer w/Schmitt Trigger Input	SN74AUC2G17 ¹	NC7WV17	
2G32	Dual 2-Input OR	SN74AUC2G32		
2G34	Dual Buffer	SN74AUC2G34 ²	NC7WV16	
2G79	Dual D-Type Flip-Flop	SN74AUC2G79		
2G80	Dual D-Type Flip-Flop	SN74AUC2G80		
2G86	Dual 2-Input Exclusive-OR	SN74AUC2G86		
2G125	Dual Bus Buffer Gate w/3-State	SN74AUC2G125	NC7WV125	
2G126	Dual Bus Buffer Gate w/3-State	SN74AUC2G126		
2G240	Dual Bus Buffer Gate w/3-State	SN74AUC2G240		
2G241	Dual Bus Buffer Gate w/3-State	SN74AUC2G241		

¹Preview ²6-pin package

COMPETITOR CROSS-REFERENCE (Continued)

AUP Devices (5-pin, unless noted)

Function	Company (Prefix):	TI (AUC)	Fairchild (NC7SV)
1G00	Single 2-Input NAND	SN74AUP1G00 ¹	NC7SP00
1G02	Single 2-Input NOR	SN74AUP1G02 ¹	NC7SP02
1G04	Single Inverter	SN74AUP1G04 ¹	NC7SP04
1G06	Single Inverter Buffer/Driver w/Open Drain	SN74AUP1G06 ¹	
1G07	Single Buffer/Driver w/Open Drain	SN74AUP1G07 ¹	
1G08	Single 2-input AND	SN74AUP1G08	NC7SP08
1G14	Single Inverter w/Schmitt Trigger	SN74AUP1G14 ¹	NC7SP14
1G17	Single Buffer w/Schmitt Trigger	SN74AUP1G17 ¹	NC7SP17
1G32	Single 2-Input OR	SN74AUP1G32 ¹	NC7SP32
1G34	Single Buffer	SN74AUP1G34 ¹	NC7SP34
1G79	Single D-Type Flip-Flop	SN74AUP1G79 ¹	
1G80	Single D-Type Flip-Flop	SN74AUP1G80 ¹	
1G125	Single Bus Buffer Gate w/3-State	SN74AUP1G125 ¹	NC7SP125
1G126	Single Bus Buffer Gate w/3-State	SN74AUP1G126 ¹	NC7SP126
1G240	Single Bus Buffer Gate w/3-State	SN74AUP1G240 ¹	

¹Preview

Signal-Switch Devices

Function	Company:	TI	Toshiba	Fairchild	Philips	Pericom
CBT1G125	Single FET Bus Switch	SN74CBT1G125				P15A125
CBTD1G125	Single FET Bus Switch	SN74CBTD1G125				
CBT1G384	Single Low Power Bus Switch	SN74CBT1G384	TC7SB384	NC7SZ384		
CBTD1G384	384 Function w/Level Shifting	SN74CBTD1G384	TC7SBD384	NC7SZD384		
CBTLV1G125	Single LV FET Bus Switch	SN74CBTLV1G125				P13A125
AUC1G66	Single Analog Switch	SN74AUC1G66				
AUC2G53	SPDT Analog Switch	SN74AUC2G53	TC7PA53			
AUC2G66	Dual Analog Switch	SN74AUC2G66				
LVC1G66	Single Analog Switch	SN74LVC1G66		NC7SZ66	74LVC1G66	
LVC1G3157	SPDT Analog Switch	SN74LVC1G3157		NC7SB3157		
LVC2G53	SPDT Analog Switch	SN74LVC2G53				
LVC2G66	Dual Analog Switch	SN74LVC2G66		NC7WB66		

Configurable Devices

Function	Company:	TI	Fairchild
LVC1G57	Single Configurable (5 functions)	SN74LVC1G57	NC7SZ57
LVC1G58	Single Configurable (5 functions)	SN74LVC1G58	NC7SZ58
LVC1G97	Single Configurable (9 functions)	SN74LVC1G97	
LVC1G98	Single Configurable (9 functions)	SN74LVC1G98	
AUP1G57	Single Configurable (5 functions)	SN74AUP1G57	NC7SP57
AUP1G58	Single Configurable (5 functions)	SN74AUP1G58	NC7SP58
AUP1G97	Single Configurable (9 functions)	SN74AUP1G97	
AUP1G98	Single Configurable (9 functions)	SN74AUP1G98	
AUC1G57	Single Configurable (5 functions)	SN74AUC1G57 ¹	NC7SV57
AUC1G58	Single Configurable (5 functions)	SN74AUC1G58 ¹	NC7SV58

¹Preview

Translation Devices

Function	Company:	TI	Fairchild	Pericom	IDT
LVC1T45	Single-Bit	SN74LVC1T45			
LVC2T45	Dual-Bit	SN74LVC2T45			
AVC1T45	Single-Bit	SN74AVC1T45 ¹			
AVC2T45	Dual-Bit	SN74AVC2T45 ¹			
AVCH1T45	Single-Bit (w/Bus Hold)	SN74AVCH1T45 ¹			
AVCH2T45	Dual-Bit (w/Bus Hold)	SN74AVCH2T45 ¹			

¹Preview

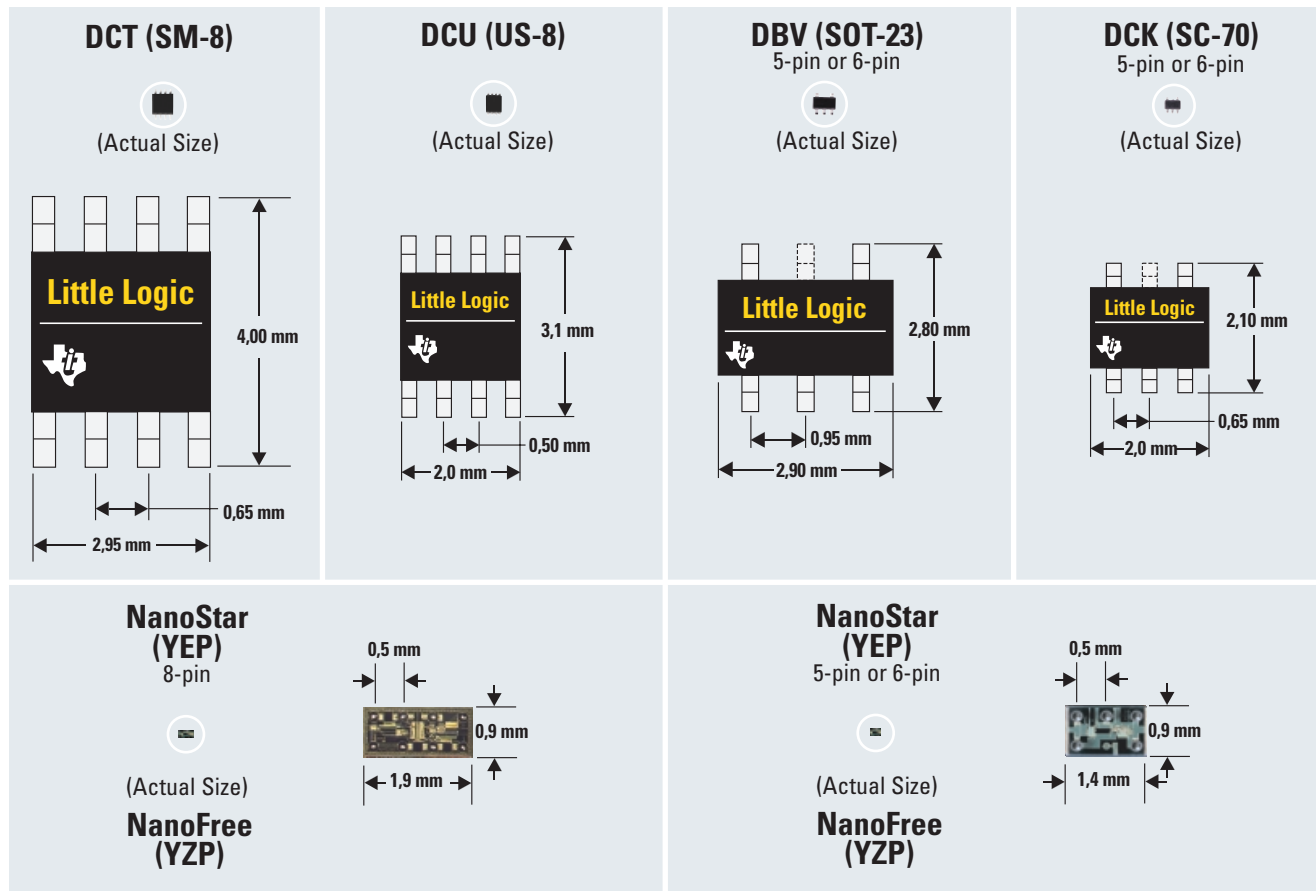
PART NUMBER DEFINITION

SN74	AHC	1G	00	YEA	R		
						R = Tape & Reel T = Small Reel	
						Package Type: YEP = NanoStar package DCK = SC-70 package DCU = US-8 package YZP = NanoFree package DBV = SOT-23 package DCT = SM-8 package	
						Logic Function	
						1G = Single Gate 2G = Dual Gate 3G = Triple Gate 1T = Single-Bit Translation 2T = Dual-Bit Translation	
						Product Families: AHC, AHCT, AUC, AUP, CBT, CBTD, CBTLV, LVC	
						Standard Prefix: 74 = Commercial	

COMPETITOR PART PREFIXES

TI	Toshiba	Fairchild	ON	STMicro	Philips	IDT	Pericom
Little Logic							
SN74AHC1G	TC7S	NC7S	MC74VHC1G	74V1G	74AHC1G		
SN74AHCT1G	TC7SET	NC7ST	MC74VHC1GT	74V1T	74AHCT1G		
SN74AUC1G		NC7SV	NL17SV				
SN74AUC2G		NC7WV					
SN74AUP1G		NC7SP					
SN74LVC1G	TC7SZ	NC7SZ	NL17SZ	74LX1G	74LVC1G	IDT74LVC1G	P174STX1G
SN74LVC2G	TC7WZ	NC7WZ	NL27WZ		74LVC2G		P174STX2G
SN74LVC3G	TC7WZ	NC7NZ	NL37WZ				P174STX3G
Little Logic Signal Switches							
SN74AUC2G	TC7PA						
SN74CBT1G	TC7SB	NC7SZ					P15A
SN74CBTD1G	TC7SBD	NC7SZD					
SN74CBTLV1G	TC7SBL						P13A
SN74LVC1G66		NC7SZ66			74LVC1G66		
SN74LVC2G66		NC7WB66					
Little Logic Configurables							
SN74AUP1G57		NC7SP57					
SN74AUP1G58		NC7SP58					
SN74LVC1G57		NC7SZ57					
SN74LVC1G58		NC7SZ58					
Little Logic Translation							
SN74LVC1T45							
SN74LVC2T45							

LITTLE LOGIC PACKAGING AND MECHANICAL DATA



Package Data	DCT 8-pin	DCU 8-pin	DBV 5- or 6-pin	DCK 5- or 6-pin	YEP/YZP 5- or 6-pin	YEP/YZP 8-pin
Length (mm)	2,95 ± 0,20	2,0 ± 0,1	2,90 ± 0,1	2,00 ± 0,15	1,40 ± 0,05	1,90 ± 0,05
Width (mm)	4,00 ± 0,25	3,1 ± 0,1	2,80 ± 0,2	2,10 ± 0,2	0,90 ± 0,05	0,90 ± 0,05
Height (mm)	1,30	0,90	1,20	0,95	0,50	0,50
Footprint Area (mm ²)	11,80	6,20	8,12	4,20	1,26	1,71
Weight (gm)	0,0206	0,0095	0,0135	0,006	≤ 0,001	0,0013

LITTLE LOGIC PACKAGE CROSS-REFERENCE

	TI	Fairchild	ON	Toshiba	Philips	IDT	Pericom	STMicro
NanoStar	YEP	L6*						
NanoFree	YZP							
SOT-23 (5-pin)	DBV	M5	DT	F	GV		TX	ST
SC-70 (5-pin)	DCK	P5	DF	FU	GW	DY	CX	CT
SOT-23 (6-pin)	DBV	DT			GV			
SC-70 (6-pin)	DCK	P6	DF		DW			
SM-8 (8-pin)	DCT			FU				
US-8 (8-pin)	DCU	K8	US	FK	DC			

*Nanostar measures smaller than L6 package.

Note: Pb-Free, NanoFree classified per J-STD-020B MSL-1 rated.

www.ti.com/nanostar

TI Package Suffix Decoder

YEP is NanoStar

YZP is NanoFree, Pb-Free

DBV is 5 and 6-pin leadframe

DCK is 5 and 6-pin leadframe,
slightly smaller than DBV

DBV is 5 and 6-pin leadframe

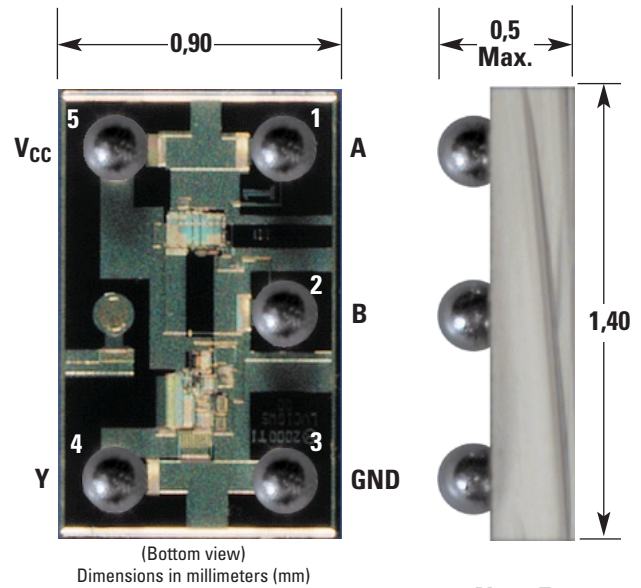
DCK is 5 and 6-pin leadframe,
slightly smaller than DBV

DCT is 8-pin leadframe

DCU is 8-pin leadframe, slightly
smaller than DCT

INTRODUCTION TO NanoStar AND NanoFree

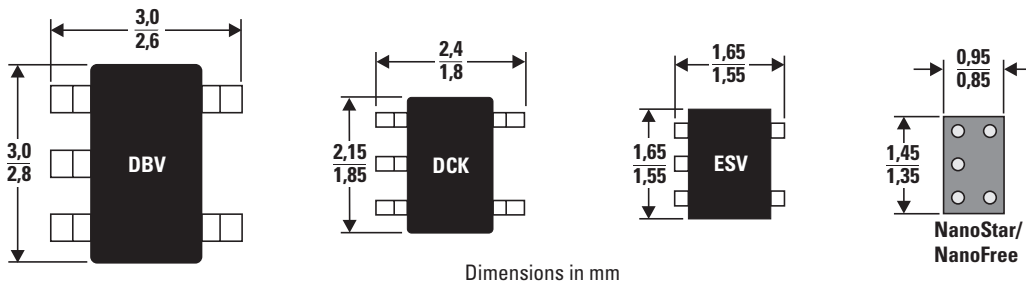
As the marketplace continues to demand size reductions in various consumer electronic products such as cell phones, PDAs, MP3/CD players and other portable devices, the need for smaller logic packaging becomes paramount. The major challenge of today's digital processing industry is the overall system cost reduction as complexity and functionality increase. These marketplace forces have resulted in circuit integration and board miniaturization becoming a necessary trend for successful competition. To address these rapidly evolving customer requirements, TI has defined the latest innovation in logic packaging: NanoStar and NanoFree. This is a wafer-chip-scale package (WCSP) and, to date, is the world's smallest 5-, 6- and 8-pin logic solution for Little Logic functions. NanoStar and NanoFree are registered under JEDEC MO-211, and are the only wafer-level logic solutions available to date. NanoStar uses an eutectic SnPb ball, and NanoFree uses a Pb-Free (SnAgCu) ball. Other than ball metallurgy, there is no difference between NanoStar (YEA) and NanoFree (YZA). TI offers both a small ball and a large ball version of the WCSP.



Package Designators
 YEP = SnPb Large Ball
 YZP = Pb-Free Large Ball



PACKAGE DATA



Package Comparisons

Package Data	SOT-23 (5-pin)	SC-70 (5-pin)	ESV*	WCSP (5-/6-pin)
	TI – DBV	TI – DCK		TI – YEP/YZP
Length (mm)	2,90 ± 0,10	2,00 ± 0,15	1,60 ± 0,05	1,40 ± 0,05
Width (mm)	2,80 ± 0,20	2,10 ± 0,30	1,60 ± 0,05	0,90 ± 0,05
Height Max (mm)	1,45	1,10	0,60	0,50
Footprint Area (mm ²)	8,12	4,20	2,56	1,26
Approx. Weight (g)	0,0135	0,006	0,003	≤0,00113

*Available 3Q 2004.

PACKAGE DATA (Continued)

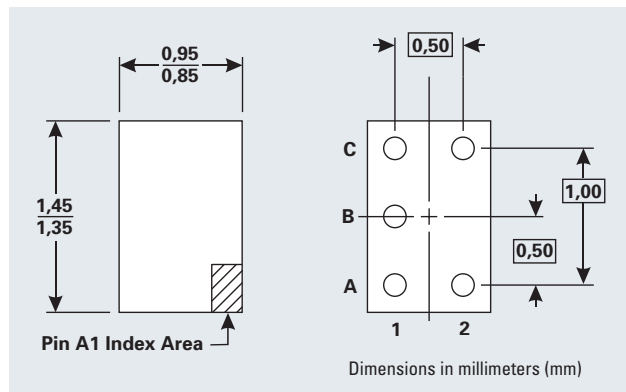
Dual-/Triple-Gate Comparisons

Package Data	SOT-23 (6-pin)	SC-70 (6-pin)	SSOP (8-pin)	VSOP (8-pin)	WCSP (8-pin)
	TI – DBV	TI – DCK	TI – DCT	TI – DCU	TI – YEP/YZP
Length (mm)	2,90 ± 0,10	2,00 ± 0,15	2,95 ± 0,20	2,0 ± 0,10	1,90 ± 0,05
Width (mm)	2,80 ± 0,20	2,10 ± 0,30	4,0 ± 0,25	3,10 ± 0,10	0,90 ± 0,05
Height (mm)	1,20 ± 0,25	0,95 ± 0,15	1,30 max	0,90 max	0,50 max
Footprint Area (mm ²)	8,12	4,20	11,80	6,20	1,71
Weight (g)	0,0135	0,006	0,0206	0,0095	0,00153

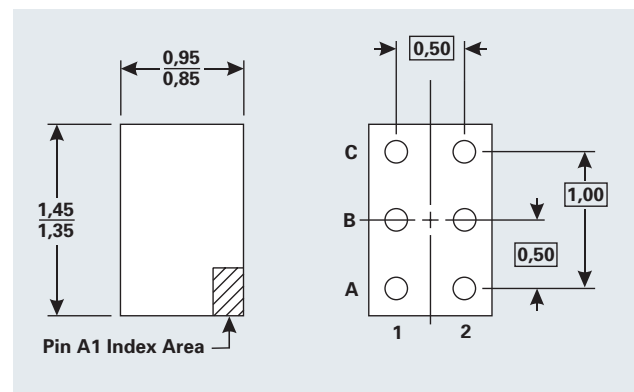
Package Attributes

Attribute	5-Ball	6-Ball	8-Ball
Ball Pitch (mm)	0,5	0,5	0,5
Ball Diameter (mm)	Small Ball = 0,17 Large Ball = 0,23	Small Ball = 0,17 Large Ball = 0,23	Small Ball = 0,17 Large Ball = 0,23
Package Length (mm)	1,4	1,4	1,9
Package Width (mm)	0,9	0,9	0,9
Package Height (mm)	0,5 max	0,5 max	0,5 max
Ball Matrix (rows, columns)	3 x 2, depopulate 1	3 x 2	4 x 2
Weight (mg)	Small Ball = 0,995 Large Ball = 1,07	Small Ball = 0,998 Large Ball = 1,13	Small Ball = 1,30 Large Ball = 1,53
Ball Metallurgy	SnPb or Pb-Free	SnPb or Pb-Free	SnPb or Pb-Free
Moisture Level	Level 1 @ 260°C	Level 1 @ 260°C	Level 1 @ 260°C

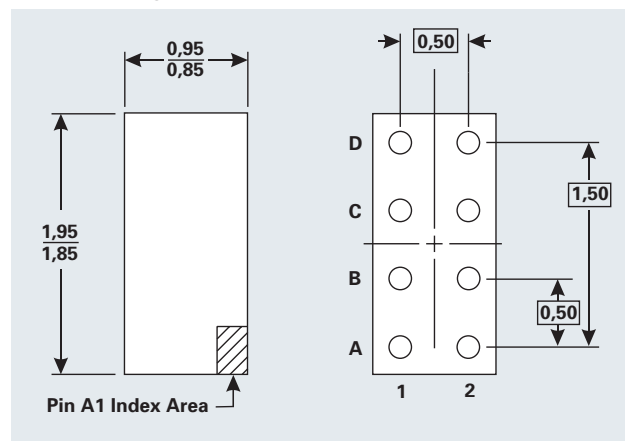
5-Ball Package



6-Ball Package



8-Ball Package



PCB DESIGN GUIDELINES

Overview

Selection Guide

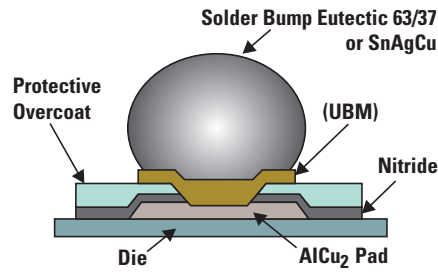
Cross-Reference

Packaging

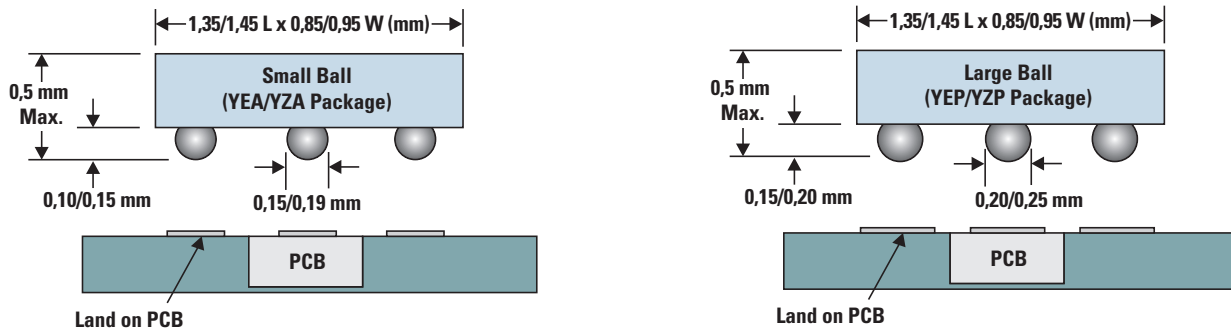
WCSP Design Summary

Resources and Support

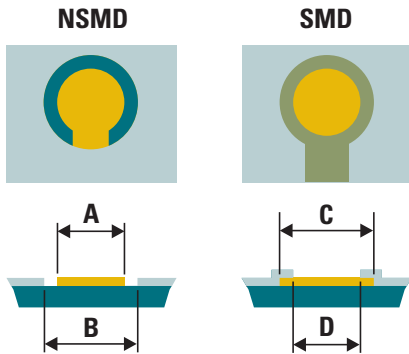
Solder Ball Composition



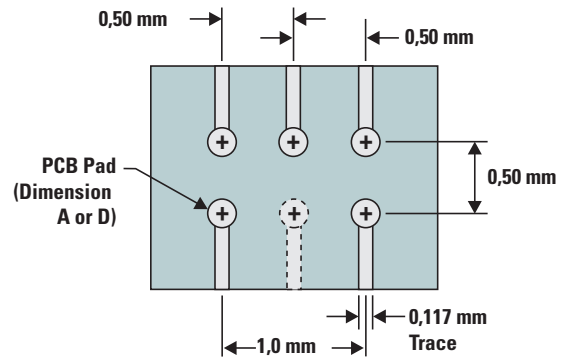
Package Area Configuration (0,5-mm Ball Pitch)



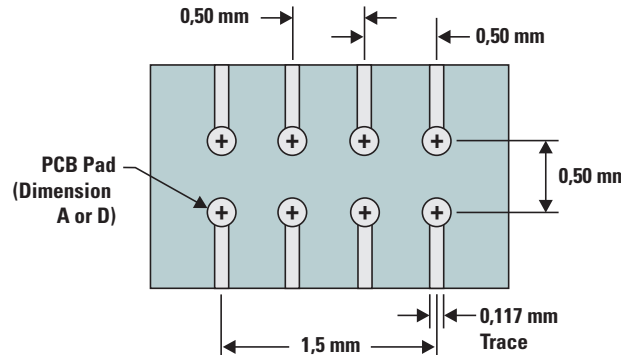
PCB Design



5-/6-Ball PCB Pattern



8-Ball PCB Pattern



Note: Trace width shall be $\leq \frac{2}{3}$ pad diameter.

Non-Solder Mask Defined (NSMD) Preferred Method		Solder Mask Defined (SMD)	
Copper Pad	Solder Mask Opening	Copper Pad	Solder Mask Opening
"A"	"B"	"C"	"D"
Small Ball (YEA, YZA)			
0,175 mm + 0,0/-0,025 mm	0,350 mm ± 0,025 mm	0,350 mm ± 0,025 mm	0,175 mm + 0,0/-0,025 mm
Large Ball (YEP, YZP)			
0,225 mm ± 0,025 mm	0,350 mm ± 0,025 mm	0,350 mm ± 0,025 mm	0,225 mm ± 0,025 mm

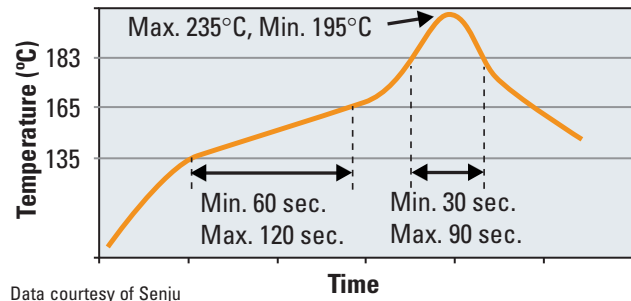
IR REFLOW PROFILE

Reflow Parameters

	Pb Assy	Pb-Free
Ramp Rate:	3°C/sec. Max.	3°C/sec. Max.
Preheat	135 to 165°C	150 to 180°C
	60 to 120 sec.	60 to 120 sec.
Time Above Liquidus:	183°C	220°C
	30 to 90 sec.	30 to 90 sec.
Peak Temp.	235°C ±5°C	255°C ±5°C
Time Within 5°C Peak Temp.	20 to 40 sec.	20 to 40 sec.
Ramp Down Rate	6°C/sec. Max.	6°C/sec. Max.

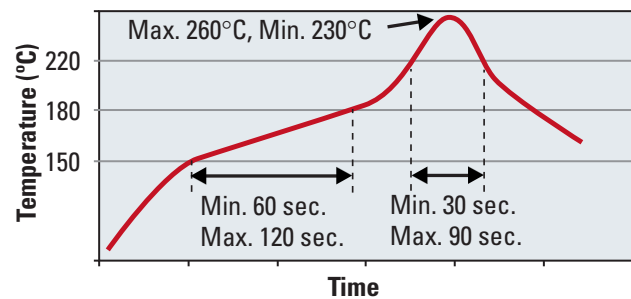
Note: These are ideal profiles, and actual conditions obtained in any specified reflow oven will vary. The profiles are based on convection or RF plus forced convection heating.

SnPb Eutectic (AT-Alloy and S2062) Recommended Temperature Profile



Data courtesy of Senju

Pb-Free Ball NanoFree Recommended Temperature Profile



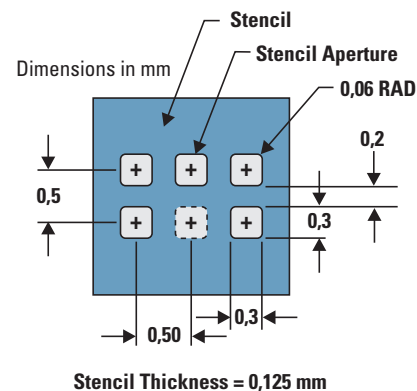
STENCIL VITALS

Solder Paste

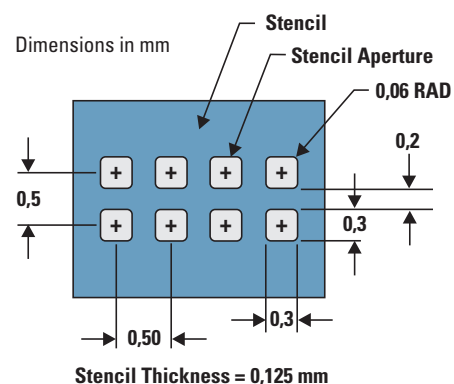
TI recommends the use of type 3 or finer solder paste when mounting the WCSP. The use of paste offers the following advantages:

- Paste aids wetting of the solder ball to the PCB land.
- The adhesive properties of the paste will hold the component in place during reflow.
- Paste contributes to the final volume of solder in the joint, and thus allows this volume to be varied to give an optimum joint.
- Paste selection is normally driven by overall system assembly requirements. In general, the “no clean” compositions are preferred due to the difficulty in cleaning under the mounted components.

5-/6-Ball Solder Stencil (Small/Large Ball)



8-Ball Solder Stencil (Small/Large Ball)



THERMAL CHARACTERISTICS

Thermal Impedance Values at Various Airflow Rates (Model data per JESD 51-7 and JESD 51-3)

Package		Thermal Impedance	Airflow (linear ft/minute)			
			0	150	250	500
Small Ball						
5-Ball	1S0P	$R_{\theta JA}$ (°C/W)	251.66	233.62	224.28	211.12
		$R_{\theta JC}$ (°C/W)	21.4	—	—	—
	1S2P	$R_{\theta JA}$ (°C/W)	154.32	152.05	150.73	148.72
		$R_{\theta JC}$ (°C/W)	18.75	—	—	—
6-Ball	1S0P	$R_{\theta JA}$ (°C/W)	236.83	219.01	210.02	197.39
		$R_{\theta JC}$ (°C/W)	21.03	—	—	—
	1S2P	$R_{\theta JA}$ (°C/W)	143.47	141.14	139.87	137.93
		$R_{\theta JC}$ (°C/W)	18.48	—	—	—
8-Ball	1S0P	$R_{\theta JA}$ (°C/W)	236.59	218.76	209.46	196.32
		$R_{\theta JC}$ (°C/W)	16.45	—	—	—
	1S2P	$R_{\theta JA}$ (°C/W)	139.87	137.69	136.34	134.34
		$R_{\theta JC}$ (°C/W)	14.80	—	—	—
Large Ball						
5-Ball	1S2P	$R_{\theta JA}$ (°C/W)	131.56	129.26	128	126.08
		$R_{\theta JC}$ (°C/W)	18.0	—	—	—
6-Ball	1S2P	$R_{\theta JA}$ (°C/W)	123.36	121.03	119.8	119.3
		$R_{\theta JC}$ (°C/W)	17.6	—	—	—
8-Ball	1S2P	$R_{\theta JA}$ (°C/W)	101.92	99.69	98.5	96.75
		$R_{\theta JC}$ (°C/W)	13.79	—	—	—

BOARD-LEVEL RELIABILITY DATA

Board-Level Reliability N_1 (cycles to first failure)	
NanoStar/NanoFree (YEA/YZA)	>1000 cycles

No underfill or adhesive was used, nor is required for these packages.

Test Parameters:

- 2 cycles/hr: -40 to +125°C
- 0.8-mm thick FR4 epoxy board
- per IPC-9701, TC3, NTC-C

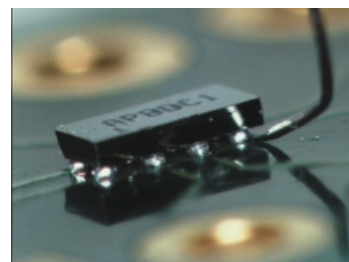
BOARD-MOUNTING PICK-UP TOOLS

Due to the package size and configuration, a rectangular or circular shaped pick-up tool is recommended. It is also recommended the tool have an outside diameter smaller than the package body, with a compliant tip. Recommended placement force is 200 gF.

WCSP TESTABILITY

Solder Balls Provide Easy Access

Due to the ideal placement of the solder balls along the outside of the package along with sufficient ball height, probe tips can easily create a dedicated contact to the individual pins.



REWORK PROCEDURE

There are several rework equipment vendors in the market offering well designed equipment and established processes. Air-Vac Engineering (www.air-vac-eng.com) has established NanoStar reflow profiles for both convection and contact heat (conduction) rework processes. A typical process for the convection using DRS-24NC equipment for a 0.056-inch thick FR4 board can be:

Eutectic Balls

- 1) Apply flux to component using Auto Flux feature of DRS24
- 2) Align device over pads
- 3) Place device on board
- 4) Raise nozzle .050"
- 5) Preheat board to 90°C, nozzle warming up 20% air flow, 100°C
- 6) Soak Stage—20% air flow, 200°C, 90 seconds

- 7) Ramp Stage—20% air flow, 300°C, 30 seconds
- 8) Reflow Stage—25% air flow, 325°C, 55 seconds
- 9) Cooldown Stage—40% air flow, 25°C, 30 seconds

Pb-Free Balls

Apply flux to component using Auto Flux feature of DRS24:

- 1) Align device over pads
- 2) Place device on board
- 3) Raise nozzle .050"
- 4) Preheat board to 90°C, nozzle warming up 20% air flow, 125°C
- 5) Soak Stage—20% air flow, 225°C, 90 seconds
- 6) Ramp Stage—20% air flow, 335°C, 30 seconds
- 7) Reflow Stage—25% air flow, 370°C, 65 seconds
- 8) Cooldown Stage—40% air flow, 25°C, 50 seconds

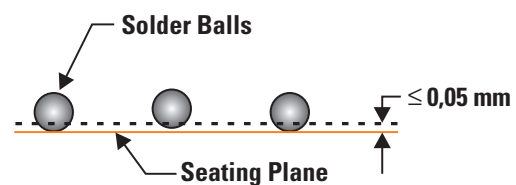
The recommended tooling for both the convection and conduction processes is:

Process	Nozzle Description	Nozzle Part Number	Tray
Hot Gas	NanoStar .0365" x .0560" x .0155" 5-ball	N09DVG-7	A04DVG06
Contact	NanoStar .0365" x .0560" x .0155" 5-ball	CE037-056TI	A0201X8-OX

GEOMETRIC DIMENSIONAL TOLERANCES

Coplanarity

This package meets a coplanarity of 0,05 mm as shown. Coplanarity is defined as a unilateral tolerance zone measured upward from the seating plane. (Reference ASME Y14.5M - 1994)



ON-LINE HELP

For information regarding TI's Little Logic portfolio visit:

www.ti.com/littlelogic

For additional logic information including application reports, samples, and data sheets visit:

logic.ti.com

To access the TI Logic Knowledge Base and get answers to your technical questions go to:

www.ti.com/logickb

To subscribe to Logic News, a monthly newsletter featuring new products and other TI Logic news, visit:

www.ti.com/logicnews

LITERATURE

Selection Guides	Lit. Number
Logic Selection Guide	SDYU001*
Advanced Bus Interface Logic Selection Guide	SCYT126*
Design Considerations for Logic Products, Volume 3	SDYA019

Data Books	
Little Logic Data Book	SCED010*
Logic Pocket Data Book	SCYD013*
Signal Switch Data Book	SCDD003*
AHC/AHCT Data Book	SCLD003B

Application Notes

Application of the Texas Instruments AUC Sub-1-V Little Logic Devices	SCEA027*
Selecting the Right Texas Instruments Signal Switch	SZZA030*

Brochures/Product Bulletins	Lit. Number
Logic Reference Guide	SCYB004
AUC Product Brochure	SCEB011
Bus Switches (CBT & CBTLV) Product Bulletin	SCDB002A

Application/Product Clips

1G97/98 Configurable Multi-Function Devices Product Clip	SCYB010*
NanoStar/NanoFree Product Clip	SCYB011
LVC1G3157 & LVC2G53 Analog Switches Application Clip	SCYB014*

To order any TI Logic literature listed, please contact the Texas Instruments Literature Response Center at 1-800-477-8924 and provide the literature number.

*Literature available on the Web by substituting the **Lit. Number** (all lower-case) in the following address:

www-s.ti.com/sc/techlit/litnumber

LITTLE LOGIC SAMPLE REQUESTS

Working day and night and need a free TI product sample fast? Orders for material in stock received by 7 p.m. CST shipped before midnight the same day.

We're waiting to take your order online 24/7.

We'll help you. That's what our Product Sample program is all about. Helping you place your order for FREE product samples when you're ready to place it.

- 10,000 different devices plus package options.
- No waiting to talk to TI sales or distributors.
- Free—including shipping.

- Orders for material in stock received by 7 p.m. CST shipped before midnight the same day.
- Shipping will be UPS "Next Day" in the U.S. and "Priority 1" internationally.
- Shipping confirmation notice lets you track your order on the UPS Web site.
- Phone option—if you need help selecting a sample part, call your regional Product Information Center found on the back cover of this guide or visit:

support.ti.com

TI Worldwide Technical Support

Internet

TI Semiconductor Product Information Center Home Page

support.ti.com

TI Semiconductor KnowledgeBase Home Page

support.ti.com/sc/knowledgebase

Product Information Centers

Americas

Phone +1(972) 644-5580
Fax +1(972) 927-6377
Internet/Email support.ti.com/sc/pic/americas.htm

Europe, Middle East, and Africa

Phone
Belgium (English) +32 (0) 27 45 55 32
Finland (English) +358 (0) 9 25173948
France +33 (0) 1 30 70 11 64
Germany +49 (0) 8161 80 33 11
Israel (English) 1800 949 0107
Italy 800 79 11 37
Netherlands (English) +31 (0) 546 87 95 45
Spain +34 902 35 40 28
Sweden (English) +46 (0) 8587 555 22
United Kingdom +44 (0) 1604 66 33 99
Fax +(49) (0) 8161 80 2045
Internet support.ti.com/sc/pic/euro.htm

Japan

Fax International +81-3-3344-5317
Domestic 0120-81-0036
Internet/Email International support.ti.com/sc/pic/japan.htm
Domestic www.tij.co.jp/pic

Asia

Phone
International +886-2-23786800
Domestic Toll-Free Number
Australia 1-800-999-084
China 800-820-8682
Hong Kong 800-96-5941
Indonesia 001-803-8861-1006
Korea 080-551-2804
Malaysia 1-800-80-3973
New Zealand 0800-446-934
Philippines 1-800-765-7404
Singapore 800-886-1028
Taiwan 0800-006800
Thailand 001-800-886-0010
Fax 886-2-2378-6808
Email tiasia@ti.com
ti-china@ti.com
Internet support.ti.com/sc/pic/asia.htm

Important Notice: The products and services of Texas Instruments Incorporated and its subsidiaries described herein are sold subject to TI's standard terms and conditions of sale. Customers are advised to obtain the most current and complete information about TI products and services before placing orders. TI assumes no liability for applications assistance, customer's applications or product designs, software performance, or infringement of patents. The publication of information regarding any other company's products or services does not constitute TI's approval, warranty or endorsement thereof.

A111103

Reliable. Logic. Innovation.; the black/red banner; NanoStar; NanoFree; Little Logic; MicroStar BGA; and MicroStar Jr. are trademarks of Texas Instruments. All other trademarks are the property of their respective owners.