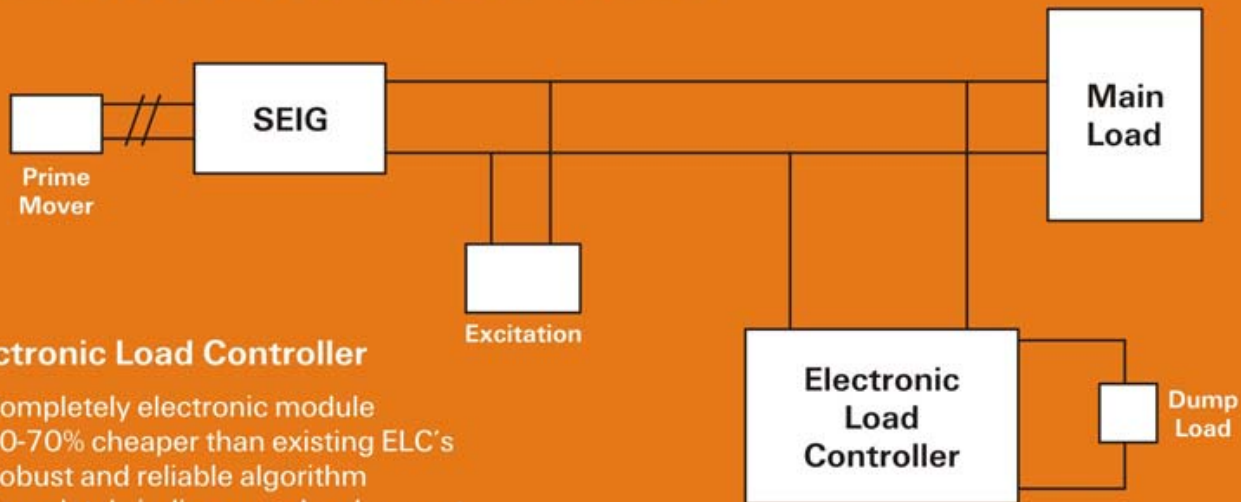
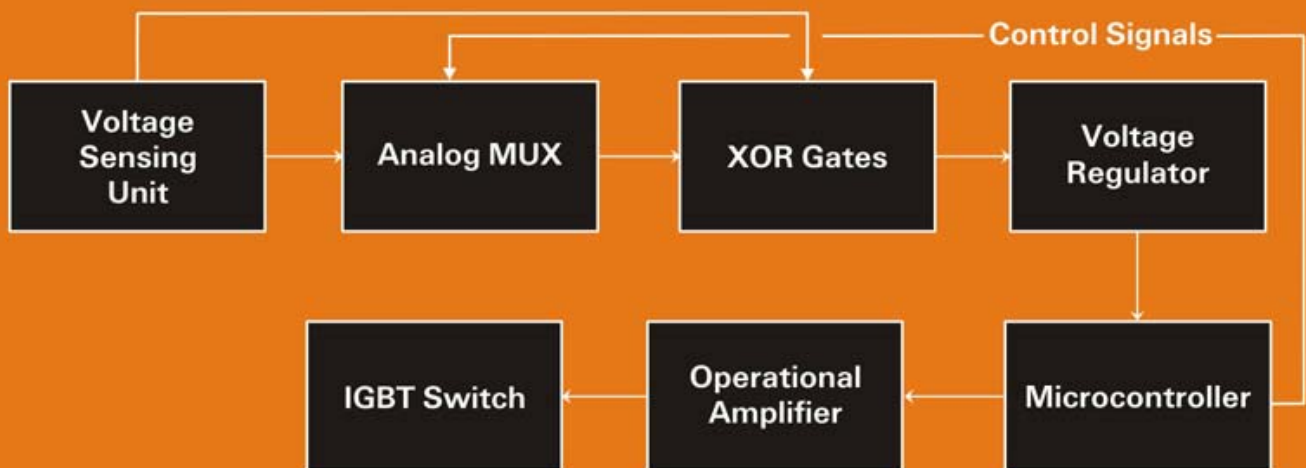


# MSP 430 based Electronic Load Control for Micro Hydro Power Plants.



## Electronic Load Controller

- >> Completely electronic module
- >> 60-70% cheaper than existing ELC's
- >> Robust and reliable algorithm
- >> Completely indigenous development
- >> 40-50% reduction in size of the unit



## Various Components used

- >> MSP430 1611
- >> Bq24308
- >> MPC508
- >> UA 7805,7810,7815
- >> SN74LS86
- >> LM224
- >> IGBT Switch (Toshiba/IR)
- >> Bridge Rectifier
- >> LM2950

## Indian Institute of Technology, Delhi

DEPARTMENT:  
Electrical Engineering

### NAME OF STUDENT MEMBERS:

Ankit Agarwal  
Anubhav Gupta  
Shailesh Dubey

### NAME OF FACULTY ADVISOR:

Prof S.S. Murthy

# TI India Analog Design Contest