

Basics of eFuses

Rakesh Panguloori

Power Switches

ABSTRACT

eFuses are integrated power path protection devices that are used to limit circuit currents, voltages to safe levels during fault conditions. eFuses offer many benefits to the system and can include protection features that are often difficult to implement with discrete components. This application note highlights the challenges and limitations of discrete circuit-protection solutions and discusses how they can be improved with an eFuse. This report also provides an example comparison between eFuse solution and discrete circuit-protection solution for a typical hard disk drive (HDD) application.

Contents

1	Need for Protection and Ways to Achieve.....	2
2	Discrete Circuit-Protection Solutions	2
3	What is an eFuse?.....	4
4	Typical Application Example for Comparison.....	11
5	Conclusion	12
6	References	12

List of Figures

1	Typical Discrete Protection Circuit.....	3
2	Active Current Protection Circuit Using Discrete Components	3
3	Block Diagram of eFuse	4
4	Overload Response of eFuse With Current-Limiting Function.....	5
5	Overload Response of eFuse With Circuit-Breaker Function	5
6	Fast-Trip Current.....	6
7	Short-Circuit Response of TPS259241 With I_{LIM} Set to 5 A	6
8	Fast-Trip Comparator Response for a Hot-Short Fault	6
9	Reverse Current Protection Using (a) Diode (b) External MOSFET and Ideal Diode Controller (c) eFuse	6
10	Output Voltage-Cutoff for an Overvoltage Fault	7
11	Output Voltage-Clamp during Transient Input Overvoltage	7
12	TPS25942L: Latched for Short-Circuit Fault	8
13	TPS25942A: Auto-Retry and Recovery From Short Circuit	8
14	Input Reverse Polarity Protection Using (a) Diode (b) P-MOSFET (c) Fuse + TVS Diode (d) TPS2600 eFuse	9
15	Surge Protection Solution Using TPS2660 eFuse	9
16	Circuit Implementation With Quick Output Discharge Function	10

List of Tables

1	Design Parameters.....	11
2	Comparison Table.....	11

Trademarks

All trademarks are the property of their respective owners.

1 Need for Protection and Ways to Achieve

Modern electronic systems are designed with high level of integration to offer superior performance with multitude of functionality. These systems use multi-voltage power distribution to support various types of loads for their proper operation. One of the major expectations is the minimal system downtime during any transient abnormal events such as overload or short-circuit conditions. For example, while hot-plugging a hard disk drive into a storage system, huge inrush current can result in voltage sag on the connected bus and eventually affect other operating loads on the same bus. To overcome this scenario, today's system designers use protection devices to manage inrush, overload, short circuit, and overvoltage events and to guard the sensitive loads for reliable system operation. The key requirement is to bring down the fault currents within the limits and bring the system back to active state once the fault is cleared, without any manual intervention.

Fuses, positive temperature coefficient (PTC) resistors, and active circuit protection are a few of the protection devices with varied capabilities and drawbacks. Fuses are traditionally considered as protection devices used to isolate overload or short-circuit faults from the main system. Although these devices provide protection, the fault current needs to be exceedingly higher than the rating of the fuse with response time ranging from milliseconds to seconds. This makes it extremely difficult to predict the precise overcurrent level at which the fuse will open. A conservative selection on fuse current rating may lead to fuse blowup during inrush current events. In addition, once the fuse blows during an overload event, it has to be physically replaced, which increases system down time and maintenance costs. On the other hand, PTC resistors provide resettable overcurrent protection and, unlike a fuse, these can avoid the physical intervention. However, because they are actuated by the heating effect of an overcurrent load, their reaction time is limited to several milliseconds. Also the ON-resistance of PTC fuse increases after every reset, which raises concerns on achieving repeatable performance over time.

The best way to prevent system downtime is to detect, respond and correct potentially damaging conditions as quickly as possible. As the response of fuse and PTC resistors depends on heating effect (temperature, a lagging parameter) for their operation, many system designers prefer to use a leading indicator, current, to provide effective circuit protection. Both fuse and PTC resistors do not cover many of the protection requirements such as inrush control, overvoltage; reverse current, reverse polarity protections needed in modern electronic systems. The next section describes the active circuit-protection solutions using discrete components and the challenges involved.

2 Discrete Circuit-Protection Solutions

Many of the discrete circuit-protection solutions use a combination of fuses, diodes, MOSFETs, and TVS diodes to meet a specific protection requirement. A typical discrete circuit using a combination of fuse and MOSFET is shown in [Figure 1](#). The protection circuit incorporates inrush current control using P-MOSFET, a series diode to block the reverse current as well as reverse polarity, a fuse for overload or short-circuit protection, and comparator logic to disconnect the power path during undervoltage or overvoltage events. The inrush current limiter avoids voltage sag on the connected bus during hot plug events and helps in optimal fuse-sizing for a precise overcurrent level. However, challenges with current-limit inaccuracies with temperature and slower response still exist. An active current-protection circuit shown in [Figure 2](#) can respond faster to overcurrent faults and provides better current-limit accuracies. However, many of the discrete circuit-protection realizations have the following shortcomings which limit their wider usage:

- Discrete circuits use P-MOSFET as pass FET, which is more expensive than N-MOSFET to achieve the same ON resistance ($R_{DS(ON)}$).
- Discrete solutions are bulky and inefficient. For example, a 2-A load current results in around 1.4-W power dissipation across the diode and corresponding rise in board temperature.
- Discrete circuits do not incorporate thermal protection for the pass FET. So the thermal design is often more oversized than safe operating area (SOA) limits for device protection under extreme cases.
- A discrete circuit needs more components and occupies more board space. More components also raise concerns on protection-circuit robustness and reliability.
- Though the output voltage slew rate is adjustable with RC components, these components must be sized in consideration with the gate characteristic of the pass FET.

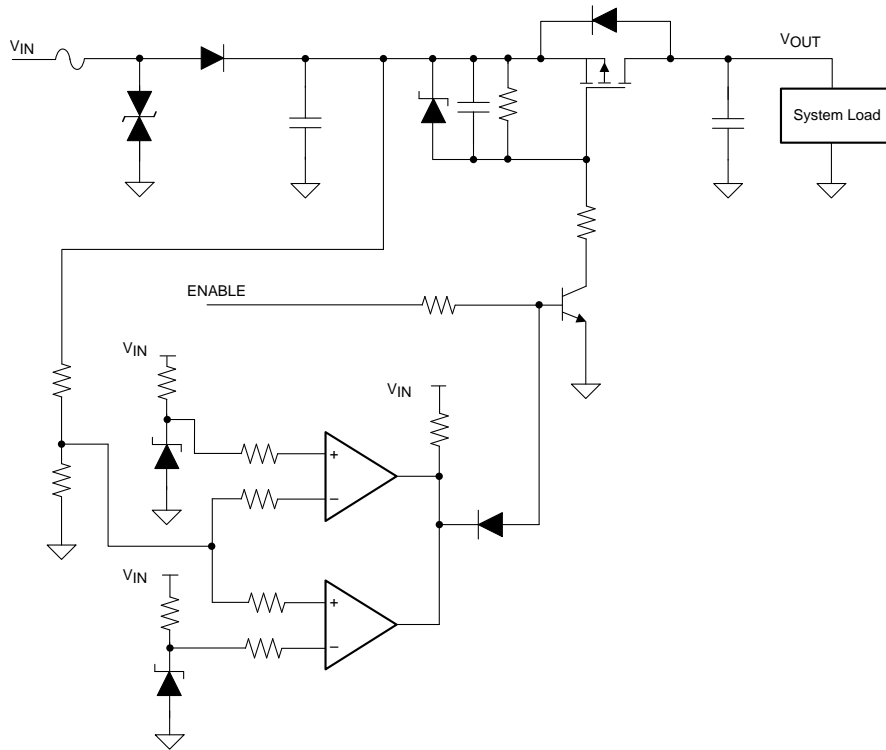


Figure 1. Typical Discrete Protection Circuit

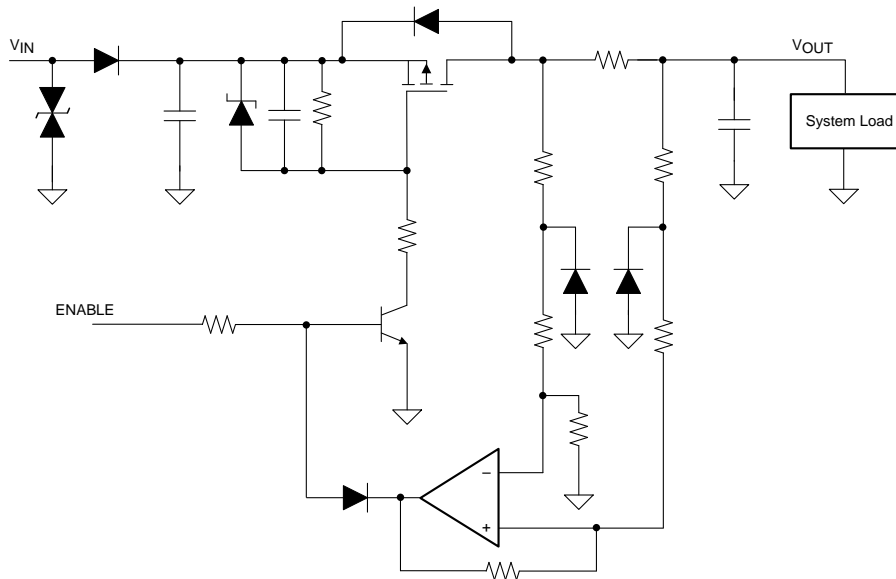


Figure 2. Active Current Protection Circuit Using Discrete Components

3 What is an eFuse?

An integrated circuit protection solution called “eFuse” can overcome the limitations with discrete circuit protection realizations. An eFuse is an “active circuit protection device with an integrated FET used to limit currents, voltages to safe levels during fault conditions”. It embeds various functions to protect system against inrush current, overcurrent, overvoltage, reverse current, reverse polarity and short circuit faults. The eFuse is more accurate, faster and can ‘repair’ itself without user intervention. Most of the TI eFuses are recognized as *Solid State Overcurrent Protectors* under the UL2367 standard. Also these are certified under safety standard UL 60950 and are safe to use.

Figure 3 shows a block diagram of an eFuse. An understanding of the functionality of various features in an eFuse helps in choosing the right eFuse for a particular application. This section discusses the functionality of each feature the eFuse offers. As shown in Figure 3, an eFuse requires very few external components (resistor R_{ILIM} for current limit setting and a capacitor C_{dVdT} for setting the output voltage ramp rate) resulting in significant board space saving and robust protection when compared to discrete solutions.

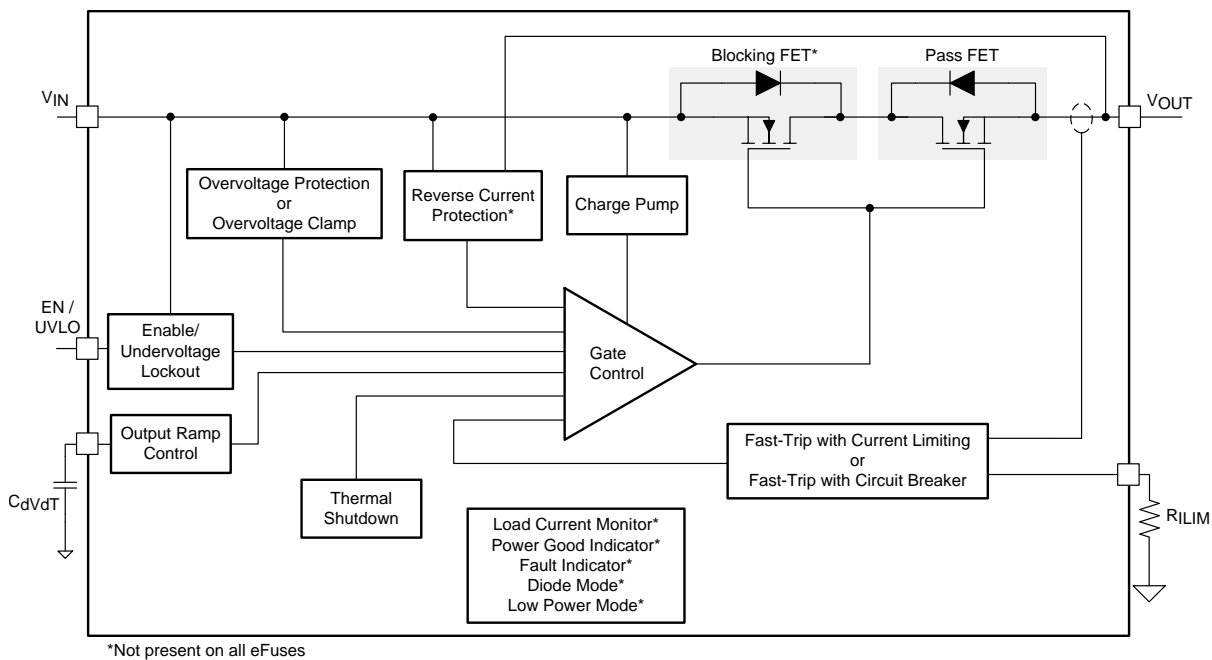


Figure 3. Block Diagram of eFuse

3.1 Inrush Current Control

Inrush currents are a major concern in DC power systems. For example, while hot-plugging a hard disk drive into a storage system, huge inrush current can result due to quickly charging its filter or load capacitor. This huge inrush current with fast slew rate causes voltage sag on the backplane which could affect operation of other connected loads. This problem can be solved by controlling the output voltage ramp rate, thereby limiting the inrush current and disturbance on the backplane. Discrete circuits (Figure 1, Figure 2) use RC components around pass FET for inrush current control, which must be sized in consideration with the gate characteristic of the pass FET and the load. Sometimes, it needs many design iterations to keep inrush current within the desired limit. If the input power is cycled rapidly, the load capacitor gets discharged quickly while the external gate capacitor remains charged and maintains pass FET in the ON condition. This inhibits the current-limiting feature allowing a large current surge when power is restored.

In an eFuse, the output voltage ramp rate is inversely proportional to the C_{dVdT} capacitor value and can be configured easily at the desired rate. The built-in overtemperature protection in an eFuse prevents device failure that could happen due to severe dynamic power stress during startup. Refer to Section 4 for the inrush performance comparison between eFuse and a discrete solution.

3.2 Overcurrent Protection

When an overcurrent event happens, protection for the downstream circuitry from excessive currents is essential to avoid any potential circuit damage or fire. The active current protection circuit shown in [Figure 2](#) uses an external current sense resistor and a fast comparator for overcurrent protection. This circuit realization often needs tradeoff between accuracy, cost, and power loss. TI eFuses provide active current protection either by limiting the fault current (called current-limiting operation) or by breaking the fault circuit after an overload timeout (called circuit-breaker operation). The latest devices, such as the TPS25942 and TPS25944, offer $\pm 8\%$ current-limit accuracy over the load range of 0.6 A to 5.3 A.

An eFuse with the current-limiting feature limits the output current to a threshold set by an external resistor R_{LIM} . [Figure 4](#) shows the current-limit response of the TPS25942A eFuse, with the current limit (I_{LIM}) set to 5 A. For an overload condition, the eFuse limits the input current to 5 A until either the overload is removed or the eFuse junction temperature T_J reaches thermal shutdown temperature (typically $T_{TSD} = 150^\circ\text{C}$). Once the eFuse enters thermal shutdown, it either remains in the OFF position (a latch-off version) or attempts to restart after T_J falls below T_{TSD} by 12°C and with auto retry delay (128 ms for TPS25942A, an auto-retry device). It is observed in [Figure 4](#), the TPS25942A makes circuit closure after every thermal shutdown and finally restores to normal condition when the overload fault is cleared. The current-limiting feature is beneficial in applications such as solid-state drives (SSDs), especially if the overcurrent event is temporary and to avoid system downtime.

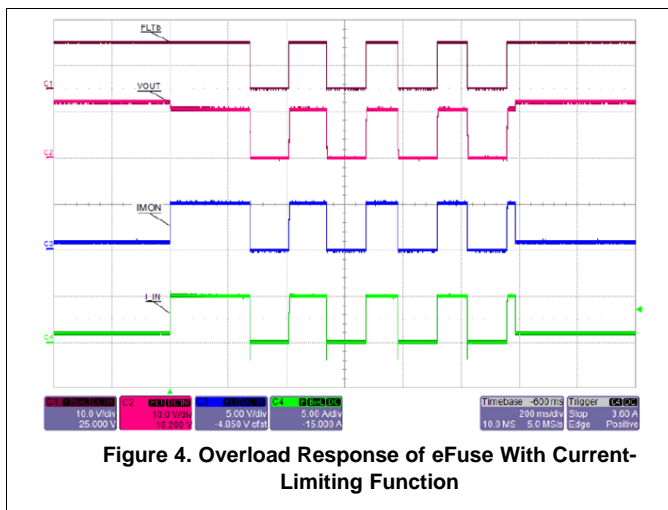


Figure 4. Overload Response of eFuse With Current-Limiting Function

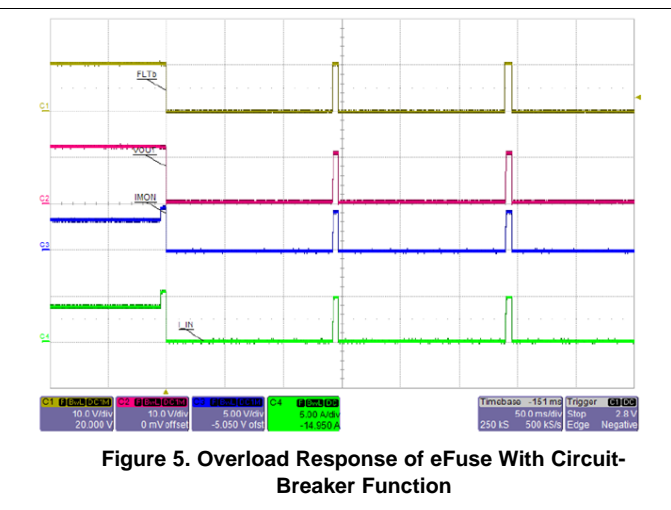


Figure 5. Overload Response of eFuse With Circuit-Breaker Function

For sensitive loads, such as a hard drive in data servers, an immediate power path opening is a safe option in response to an overcurrent fault. An eFuse TPS25944A provides circuit-breaker operation with overload timeout. When the load current exceeds the set current limit of 5 A, the TPS25944A starts the fault timer and breaks the circuit path if the load current does not fall below I_{LIM} before the fault timer expires (4 ms). [Figure 5](#) shows circuit-breaker response of the TPS25944A eFuse, and since the TPS25944A is an auto retry device, it attempts to restart after a circuit-breaker retry delay of 128 ms. The circuit-breaker feature essentially avoids system downtime by allowing pulsed overloads at the output for a fault period interval of 4 ms..

3.3 Short-Circuit Protection

One of the advantages of an eFuse over discrete solutions is the ability to respond faster for hot-short faults at the output. During a transient short-circuit event, the current through the eFuse increases very rapidly. The current-limit amplifier of an eFuse cannot respond very quickly due to its limited bandwidth. TI eFuses incorporate a fast-trip current comparator, which shuts down the pass FET very quickly when the load current $I_{OUT} >$ fast-trip current threshold $I_{FASTTRIP}$. This terminates the rapid short-circuit peak current in less than 200 ns as shown in [Figure 8](#). The fast trip threshold is set to 60% higher than the programmed overload current limit ($I_{FASTTRIP} = 1.6 \times I_{LIM}$). After the transient short-circuit peak current has been terminated by the fast-trip comparator, the current-limit amplifier smoothly regulates the output current to I_{LIM} as shown in [Figure 7](#). If during current-limit operation, power dissipation of the pass FET $[(V_{IN} - V_{OUT}) \times I_{OUT}]$ exceeds 10 W, there is approximately a 0 to 15% thermal fold back in the current-limit value so that I_{LIM} drops to I_{SC} . Eventually, the device shuts down due to over temperature.

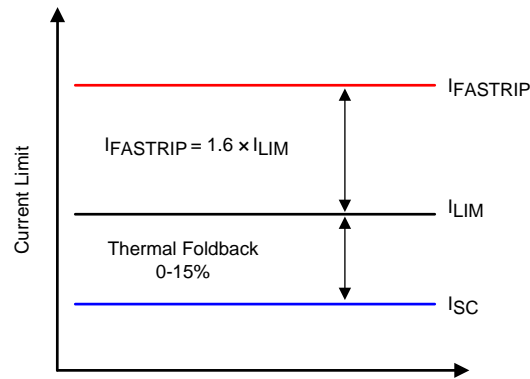


Figure 6. Fast-Trip Current

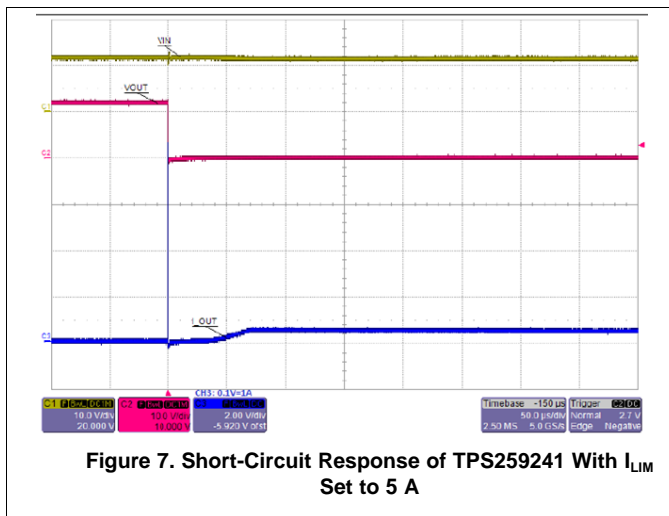


Figure 7. Short-Circuit Response of TPS259241 With I_{LIM} Set to 5 A

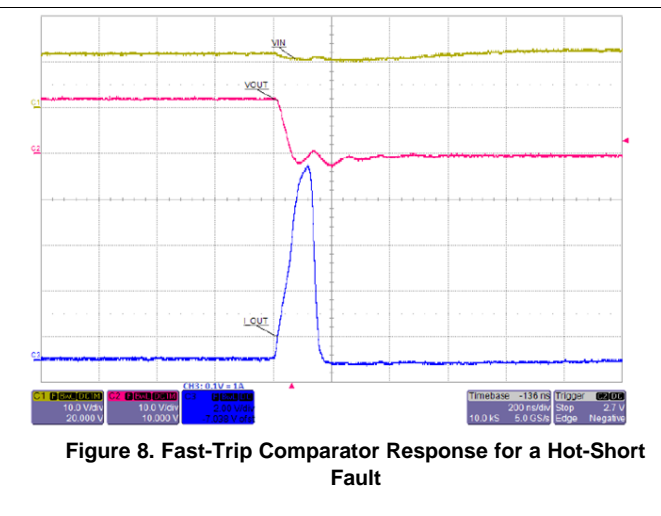


Figure 8. Fast-Trip Comparator Response for a Hot-Short Fault

3.4 Reverse Current Protection

Reverse currents can flow through the system when the voltage at the output is higher than at the input. In applications such as power muxing for redundant power systems or SSD with a large hold-up output capacitor, there is a risk of large reverse currents when the input power is disconnected. The reverse current can damage internal circuitry or system power supplies, if it is not limited. For certain applications such as PLC controller modules, this feature is mandatory to pass 'voltage interruption tests'.

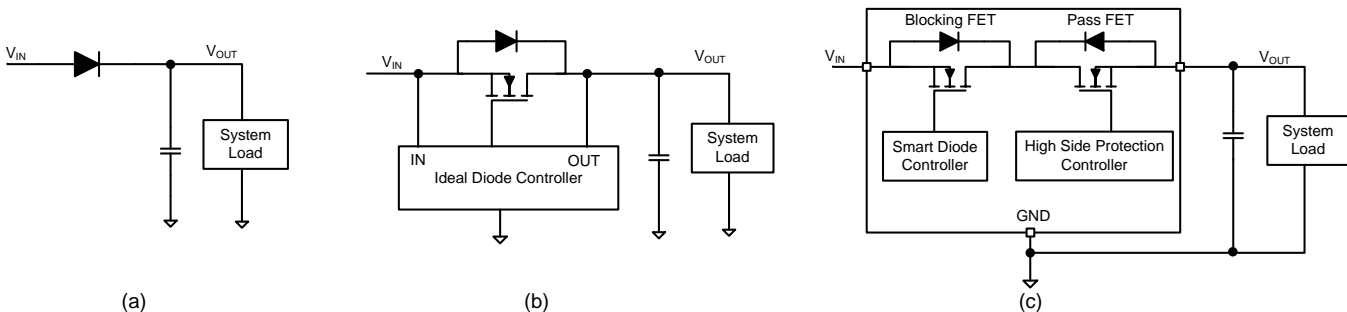
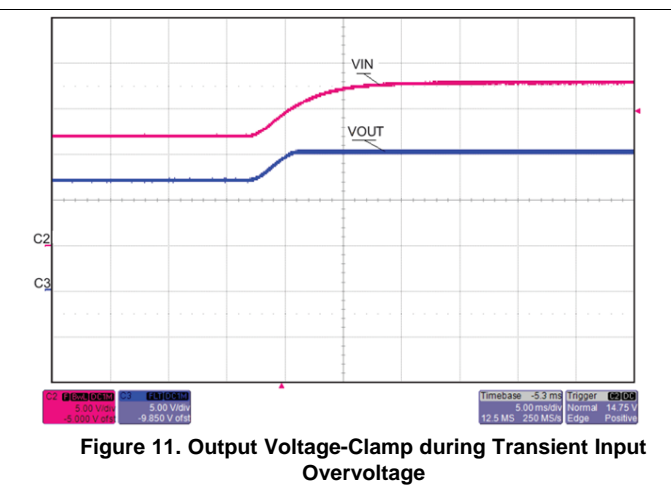
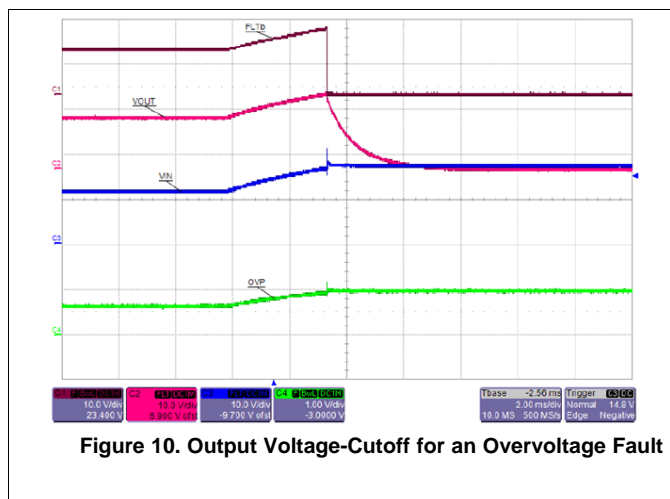


Figure 9. Reverse Current Protection Using (a) Diode (b) External MOSFET and Ideal Diode Controller (c) eFuse

A series diode can block reverse currents but results in significant power loss in the system which could lower the system efficiency and battery life. An external MOSFET with an ideal diode controller IC (shown in Figure 9(b)) is a more efficient option and also offers flexibility in current support; however, it occupies more board space. TI's TPS2594 family of eFuses integrates blocking FET and a fast reverse comparator to provide true reverse current blocking. When an input power fail condition is detected, the internal FET is turned OFF in 1 μ s (typical). True reverse current blocking facilitates simplified efficient power muxing in redundant power systems. For additional information regarding power multiplexing using eFuses, see reference (1).

3.5 Overvoltage Protection

Transient induced voltages or inductive switching can cause overvoltage in the system which lasts from a few hundred microseconds to milliseconds. An eFuse with output voltage-cutoff guards the sensitive circuits from overvoltage by turning OFF the internal FET. The trip point for overvoltage cutoff can be programmable through an external resistor at the OVP pin of eFuse. As shown in Figure 10, the TPS25942x remains active for a nominal 12-V input voltage. When the input voltage exceeds the overvoltage trip point (16.5 V here), the eFuse turns OFF the internal FET causing the output voltage VOUT to fall to zero. The eFuse remains in the OFF condition as long as the input voltage exceeds the set overvoltage trip point. Once the input voltage returns to nominal operating voltage, the device turns back ON and VOUT once again returns to 12 V. The latest eFuse device, TPS2660, protects the load up to 60-V DC *Safe Extra Low Voltage* (SELV) faults and is suitable for industrial applications.



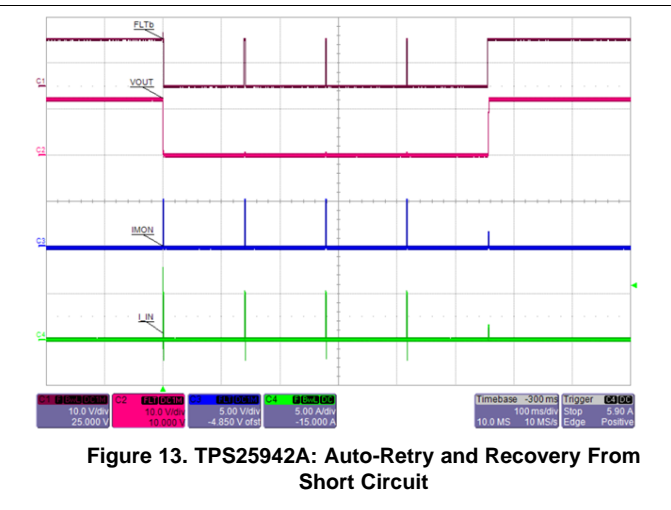
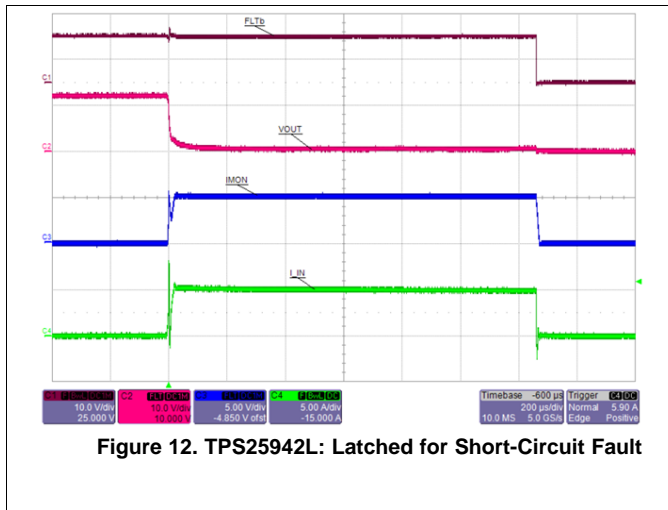
Some of the TI eFuses have an output voltage-clamp (OVC) feature, which keeps eFuse in operation by clamping the output voltage to the nominal voltage. As shown in Figure 11, the TPS25926x eFuse integrates a 15-V output voltage-clamp. When the input voltage exceeds the internal OVC trip point, the internal clamping circuitry activates and limits the output voltage to 15.6 V (typically 15 V). If the transient on the input is only temporary, the eFuse hides the overvoltage fault from downstream circuitry. If the fault lasts long enough to activate the eFuse's thermal shutdown (typically $T_J = 150^\circ\text{C}$), then the fault will still cause the eFuse to turn OFF (similar to output voltage-cutoff).

3.6 Over Temperature Protection

Discrete protection realizations need careful selection of pass FET and thermal design to keep the device in SOA limits under any extreme fault conditions. However, TI eFuses come with inbuilt over temperature protection and gets shutdown if the eFuse junction temperature, T_J , exceeds 150°C (typ). Once eFuse enters thermal shutdown, it either remains in the OFF position (a latch-off version) or attempts to restart (an auto retry version) after T_J falls below T_{TSD} by 12°C and with auto retry delay.

3.7 Fault Response and Recovery

TI eFuses are available in two versions; latch off and auto retry. A latch-off version remains in the OFF position and needs power recycle to turn ON again. A system with the latch-off version provides more safety by immediately isolating the faulty component but also reduces the system uptime. Figure 12 shows the short-circuit response of the latched device TPS25942L, where the device provides a limited current of 5 A before getting into thermal shutdown. A reset at the enable pin is required to bring the device back into operation. On the other hand, a device with auto retry continues to power cycle itself until the fault is cleared. As shown in Figure 13, the device TPS25942A attempts to power cycle after retry delay (128 ms) and resumes normal operation when short circuit is cleared. Since, over-temperature protection is inbuilt, no special thermal considerations are required for surviving a prolonged output short.



3.8 Input Reverse Polarity Protection

In applications such as PLC systems, the input side needs reverse polarity protection against any field supply mis-wiring. A blocking diode is the simplest means of protecting against reverse polarity connections. Since no control signal is required, circuit complexity and component count are low. On the other hand, the diode dissipates energy all the time due to its forward voltage (V_F) drop, which can cause significant power loss in high-current applications and needs thermal management. Another approach is to use a P-MOSFET, which can be implemented with simpler drive circuitry comprising a Zener diode and a resistor, as shown in Figure 14(b). A P-MOSFET based solution is expensive and has the risk of failure when the input power is removed causing the output capacitor discharge through the fully enhanced P-MOSFET. Another simple solution, shown in Figure 14(c), uses a combination of fuse and TVS diode, where the fuse blows and protects the load against reverse polarity. But after the fault, the fuse needs to be replaced. As shown in Figure 14(d), the TI eFuse TPS2660 integrates a reverse input polarity protection circuit and does not need any external components. The TPS2660 ensures that the device is not functional during reverse polarity conditions and internal FET blocks the reverse current path.

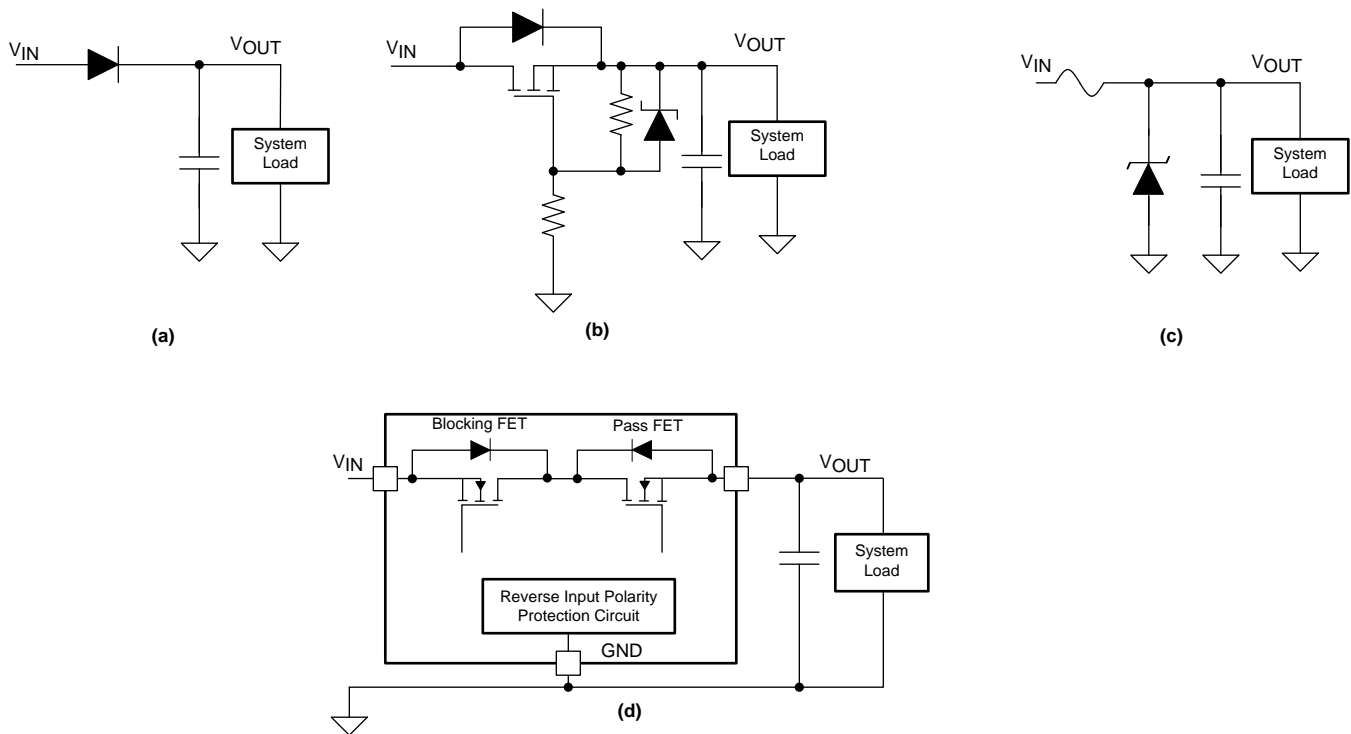


Figure 14. Input Reverse Polarity Protection Using (a) Diode (b) P-MOSFET (c) Fuse + TVS Diode (d) TPS2600 eFuse

3.9 Surge Protection

The TPS2660 eFuse-based surge protection solution (reference (2)) is shown in Figure 15. It requires only a single TVS diode to protect the load from surges. The device does not need any passive wave shaping circuits to reduce the slew rate of the surge. It can handle slew rates as fast as 20 V/μs. Built-in back-to-back FETs and reverse polarity protection circuits effectively block negative voltage that can be generated due to a negative surge. The ±70-V transient absolute maximum ratings of the TPS2660 device enable the use of a single TVS diode for clamping the surge. Overvoltage and undervoltage protection makes sure that the downstream converters are isolated from input when the surge is at peak or valley level. A proprietary high-speed protection algorithm immediately disconnects the output from the input and prevents the surge passing from the input to the output.

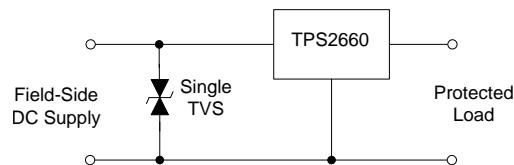
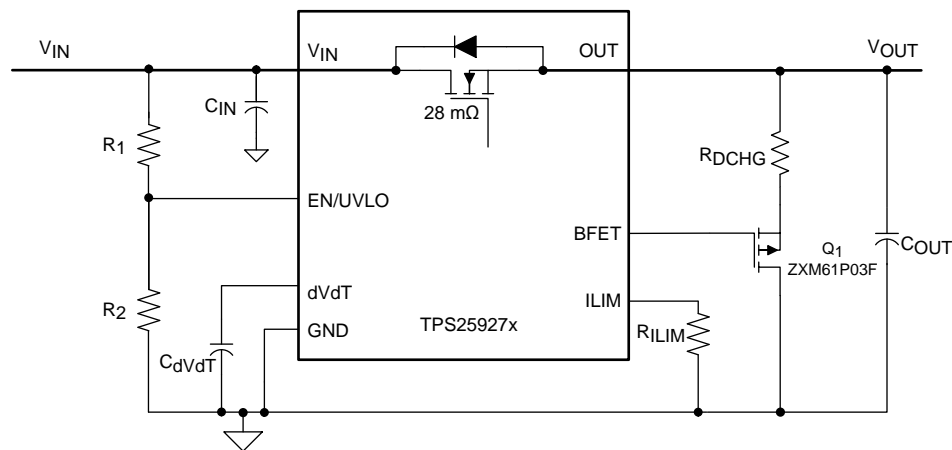


Figure 15. Surge Protection Solution Using TPS2660 eFuse

3.10 Controlled Power Down

When the device is disabled, the output voltage is left floating and power down profile is entirely dictated by the load. In some applications, this can lead to undesired activity as the load is not powered down to a defined state. Controlled output discharge can ensure the load is turned OFF completely and not in an undefined operational state. The BFET pin in the TPS25927x family of eFuses facilitates the quick output discharge (QOD) function as illustrated in Figure 16. When the device is disabled, the BFET pin pulls low which enables the external P-MOSFET, Q₁, for the discharge feature to function. The output voltage discharge rate is dictated by the output capacitor, C_{OUT}, the discharge resistance, R_{DCHG}, and the load.



Copyright © 2016, Texas Instruments Incorporated

Figure 16. Circuit Implementation With Quick Output Discharge Function

3.11 UL Certifications

Most of the TI eFuses are UL 2367 (solid-state overcurrent protectors) recognized which would help in designing sections of the system as “limited energy” or “low power” circuits to expedite the UL certification process. Additionally, these devices are also UL 60950 (safe during single-point failure) recognized, which restricts the voltage, current within the circuit limits under any single fault. For additional information regarding benefits of UL recognition, the reader is directed to [reference \(3\)](#).

3.12 Additional Features

3.12.1 Health Monitoring and Reporting

The TPS2594xx family of eFuses provide advanced features such as precise load current monitor, voltage monitoring, and fault flag. The current source at the I_{MON} terminal of the TPS2594xx eFuse is configured to be proportional to the current flowing through the device. A resistor from this pin to GND converts current to proportional voltage, which can be used as a means of monitoring the health of the system.

The power good comparator has an internal reference of $V_{(PGTHR)} = 0.99\text{ V}$ at the negative terminal and the positive terminal PGTH can be utilized for monitoring of either input or output of the device or any other voltage rail in the system. The comparator output PGOOD is an open-drain, active-high signal, which can be used to indicate the status and control the downstream units for power sequencing. PGOOD is asserted high when the internal FET is fully enhanced and the PGTH pin voltage is higher than internal reference, $V_{(PGTHR)}$, eliminating the need for a separate supply voltage supervisor chip.

The FLT open-drain output is asserted (active low) during undervoltage, overvoltage, reverse voltage, reverse current, and thermal shutdown conditions.

3.12.2 Diode Mode

The TPS25942x and TPS25944x family of eFuses incorporate the diode mode feature, where the power path from IN to OUT acts as a non-ideal diode rather than a FET. This feature is useful in power-mux applications to switch over from master to slave supplies and vice-versa smoothly, when two supplies are within a diode drop of each other.

3.12.3 Low Power Mode

The TPS25940 eFuse provides a dedicated DevSleep interface terminal (DEVSLP) to drive the device to low power mode. The DEVSLP terminal is compatible with standard hardware signals asserted from the host controller. When pulled high, it puts the device in low power DevSleep mode. In this mode, the quiescent current consumption of the device is limited to less than $95\ \mu\text{A}$ (typical) and the functionality of several non-critical modes are disabled.

4 Typical Application Example for Comparison

In this section, a comparison between the eFuse solution and a discrete circuit-protection solution is shown for HDD application. This application requires inrush and reverse current protection while managing holdup capacitor charge at the output. It is observed that the output voltage and the inrush current rises exponentially in the discrete solution and sometimes the discrete solution needs design iterations to limit inrush current in the desired limit.

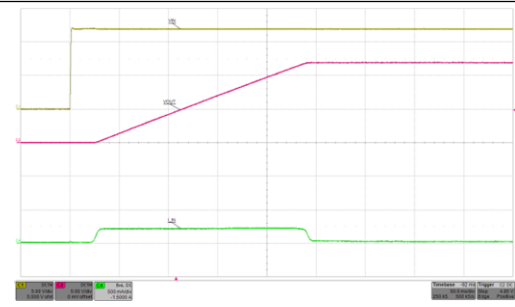
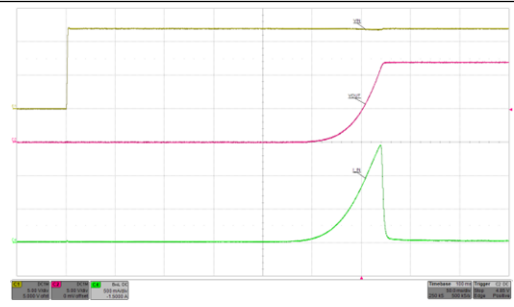
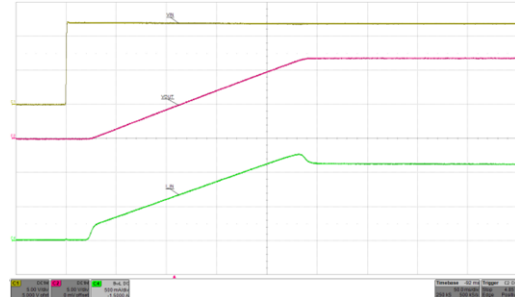
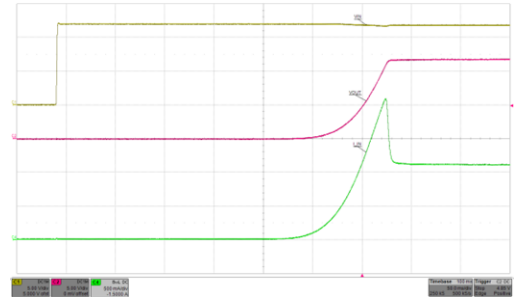
Table 1. Design Parameters

Design Parameter	Value
Input voltage range, V_{IN}	12 V
Undervoltage lockout set point, $V(UV)$	10.8 V
Load capacitance, C_{OUT}	$2 \times 1800 \mu F$
Load at start-up, $R_{L(SU)}$	10Ω
Current limit, I_{LIM}	1.5 A

Table 2. Comparison Table

	eFuse Solution: TPS259241+ External Blocking FET	Discrete Circuit-Protection Solution
Circuit Schematic	<p>Copyright © 2016, Texas Instruments Incorporated</p>	<p>Copyright © 2016, Texas Instruments Incorporated</p>
Total no. of Components	7	15
Area Occupied by Semiconductors	<p>Approximately 20 mm²</p> <p>TPS259241 eFuse</p> <p>CSD16411 N-FET</p>	<p>> 100 mm²</p>
Steady State Power Loss at 1-A Load	38 mW	0.488 mW

Table 2. Comparison Table (continued)

	eFuse Solution: TPS259241+ External Blocking FET	Discrete Circuit-Protection Solution
Inrush Performance with $R_{L(SU)} = \text{OPEN}$		
Inrush Performance with $R_{L(SU)} = 10 \Omega$		

5 Conclusion

Modern electronic systems need more than one type of protection. Though each of the protection requirements can be met with discrete components, the solution needs more board space, is less efficient, more expensive, and inferior in performance than TI's integrated circuit protection solution "eFuse". The eFuse is more accurate, faster, and can 'repair' itself without user intervention. Most of the TI eFuses are recognized as *Solid State Overcurrent Protectors* under UL2367 standard. Also these are certified under safety standard UL 60950 and are safe during single point failure.

6 References

1. *Power Multiplexing Using Load Switches and eFuses* (SLVA811)
2. *The TPS2660 Simplifies Surge and Power-Fail Protection Circuits in PLC System* (SLVA833)
3. How to save time and money with low power circuits (https://e2e.ti.com/blogs_/b/industrial_strength/archive/2015/10/23/low-power-circuits)

Revision History

Changes from Original (December 2016) to A Revision

Page

-
- Changed title of the *Application Report* to Basics of eFuses 1
-

IMPORTANT NOTICE FOR TI DESIGN INFORMATION AND RESOURCES

Texas Instruments Incorporated ("TI") technical, application or other design advice, services or information, including, but not limited to, reference designs and materials relating to evaluation modules, (collectively, "TI Resources") are intended to assist designers who are developing applications that incorporate TI products; by downloading, accessing or using any particular TI Resource in any way, you (individually or, if you are acting on behalf of a company, your company) agree to use it solely for this purpose and subject to the terms of this Notice.

TI's provision of TI Resources does not expand or otherwise alter TI's applicable published warranties or warranty disclaimers for TI products, and no additional obligations or liabilities arise from TI providing such TI Resources. TI reserves the right to make corrections, enhancements, improvements and other changes to its TI Resources.

You understand and agree that you remain responsible for using your independent analysis, evaluation and judgment in designing your applications and that you have full and exclusive responsibility to assure the safety of your applications and compliance of your applications (and of all TI products used in or for your applications) with all applicable regulations, laws and other applicable requirements. You represent that, with respect to your applications, you have all the necessary expertise to create and implement safeguards that (1) anticipate dangerous consequences of failures, (2) monitor failures and their consequences, and (3) lessen the likelihood of failures that might cause harm and take appropriate actions. You agree that prior to using or distributing any applications that include TI products, you will thoroughly test such applications and the functionality of such TI products as used in such applications. TI has not conducted any testing other than that specifically described in the published documentation for a particular TI Resource.

You are authorized to use, copy and modify any individual TI Resource only in connection with the development of applications that include the TI product(s) identified in such TI Resource. NO OTHER LICENSE, EXPRESS OR IMPLIED, BY ESTOPPEL OR OTHERWISE TO ANY OTHER TI INTELLECTUAL PROPERTY RIGHT, AND NO LICENSE TO ANY TECHNOLOGY OR INTELLECTUAL PROPERTY RIGHT OF TI OR ANY THIRD PARTY IS GRANTED HEREIN, including but not limited to any patent right, copyright, mask work right, or other intellectual property right relating to any combination, machine, or process in which TI products or services are used. Information regarding or referencing third-party products or services does not constitute a license to use such products or services, or a warranty or endorsement thereof. Use of TI Resources may require a license from a third party under the patents or other intellectual property of the third party, or a license from TI under the patents or other intellectual property of TI.

TI RESOURCES ARE PROVIDED "AS IS" AND WITH ALL FAULTS. TI DISCLAIMS ALL OTHER WARRANTIES OR REPRESENTATIONS, EXPRESS OR IMPLIED, REGARDING TI RESOURCES OR USE THEREOF, INCLUDING BUT NOT LIMITED TO ACCURACY OR COMPLETENESS, TITLE, ANY EPIDEMIC FAILURE WARRANTY AND ANY IMPLIED WARRANTIES OF MERCHANTABILITY, FITNESS FOR A PARTICULAR PURPOSE, AND NON-INFRINGEMENT OF ANY THIRD PARTY INTELLECTUAL PROPERTY RIGHTS.

TI SHALL NOT BE LIABLE FOR AND SHALL NOT DEFEND OR INDEMNIFY YOU AGAINST ANY CLAIM, INCLUDING BUT NOT LIMITED TO ANY INFRINGEMENT CLAIM THAT RELATES TO OR IS BASED ON ANY COMBINATION OF PRODUCTS EVEN IF DESCRIBED IN TI RESOURCES OR OTHERWISE. IN NO EVENT SHALL TI BE LIABLE FOR ANY ACTUAL, DIRECT, SPECIAL, COLLATERAL, INDIRECT, PUNITIVE, INCIDENTAL, CONSEQUENTIAL OR EXEMPLARY DAMAGES IN CONNECTION WITH OR ARISING OUT OF TI RESOURCES OR USE THEREOF, AND REGARDLESS OF WHETHER TI HAS BEEN ADVISED OF THE POSSIBILITY OF SUCH DAMAGES.

You agree to fully indemnify TI and its representatives against any damages, costs, losses, and/or liabilities arising out of your non-compliance with the terms and provisions of this Notice.

This Notice applies to TI Resources. Additional terms apply to the use and purchase of certain types of materials, TI products and services. These include; without limitation, TI's standard terms for semiconductor products (<http://www.ti.com/sc/docs/stdterms.htm>), [evaluation modules](#), and [samples](http://www.ti.com/sc/docs/sampterm.htm) (<http://www.ti.com/sc/docs/sampterm.htm>).

Mailing Address: Texas Instruments, Post Office Box 655303, Dallas, Texas 75265
Copyright © 2018, Texas Instruments Incorporated