

## LP2960 Adjustable Micropower 0.5A Low-Dropout Regulators

 Check for Samples: [LP2960](#)

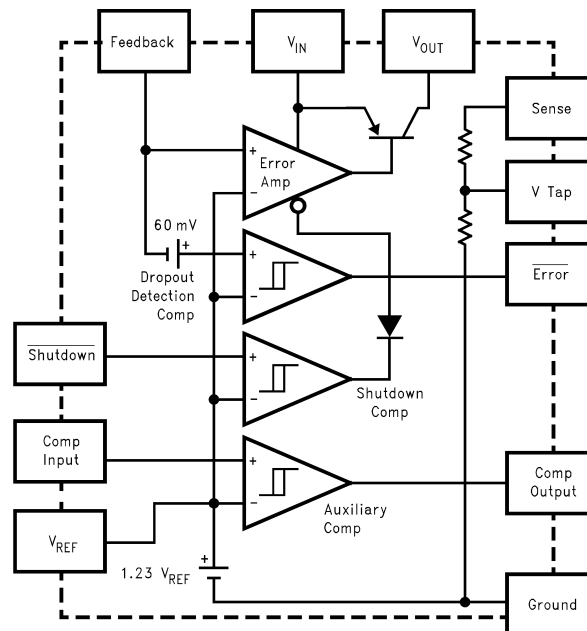
### FEATURES

- Output Voltage Adjusts from 1.23V–29V
- Ensured 500 mA Output Current
- 5V and 3.3V Versions Available
- 16-Pin SO Package
- Low Dropout Voltage
- Low Quiescent Current
- Tight Line and Load Regulation
- Low Temperature Coefficient
- Current Limiting and Thermal Protection
- Logic-Level Shutdown
- Can be Wired for Snap-ON and Snap-OFF
- Reverse Battery Protection

### APPLICATIONS

- High-Efficiency Linear Regulator
- Regulator with Under-Voltage Shutdown
- Low Dropout Battery-Powered Regulator
- Cellular Telephones

### Block Diagram



### DESCRIPTION

The LP2960 is a micropower voltage regulator with very low dropout voltage (12 mV typical at 1 mA load and 470 mV typical at 500 mA load) and very low quiescent current (450  $\mu$ A typical at 1 mA load).

The LP2960 is ideally suited for battery-powered systems: the quiescent current increases only slightly at dropout, which prolongs battery life.

The LP2960 retains all the desirable characteristics of the LP2953, and offers increased output current.

The error flag goes low any time the output drops more than 5% out of regulation.

Reverse battery protection is provided.

The LP2960 requires only 10  $\mu$ F of output capacitance for stability (5V version).

The internal voltage reference is made available for external use, providing a low-T.C. reference with very good regulation characteristics.

The part is available in a 16-pin surface mount (SOIC) package.



Please be aware that an important notice concerning availability, standard warranty, and use in critical applications of Texas Instruments semiconductor products and disclaimers thereto appears at the end of this data sheet.

All trademarks are the property of their respective owners.



These devices have limited built-in ESD protection. The leads should be shorted together or the device placed in conductive foam during storage or handling to prevent electrostatic damage to the MOS gates.

### Absolute Maximum Ratings<sup>(1)</sup>

Storage Temperature Range		-65°C to +150°C
Operating Junction Temperature Range	LP2960AI/LP2960I	-40°C to +125°C
Lead Temperature (Soldering, 5 sec.)		260°C
Power Dissipation <sup>(2)</sup>		Internally Limited
Input Supply Voltage		-20V to +30V
Feedback Input Voltage <sup>(3)</sup>		-0.3V to +5V
Comparator Input Voltage <sup>(4)</sup>		-0.3V to +30V
Comparator Output Voltage <sup>(4)</sup>		-0.3V to +30V
ESD Rating <sup>(5)</sup>		1.5 kV

- (1) Absolute maximum ratings indicate limits beyond which damage to the component may occur. Electrical specifications do not apply when operating the device outside of its rated operating conditions.
- (2) The maximum allowable power dissipation is a function of the maximum junction temperature,  $T_J(\text{max})$ , the junction-to-ambient thermal resistance,  $\theta_{J-A}$ , and the ambient temperature,  $T_A$ . The maximum allowable power dissipation at any ambient temperature is calculated using:  $P(\text{max}) = \frac{T_J(\text{max}) - T_A}{\theta_{J-A}}$ . Exceeding the maximum allowable power dissipation will cause excessive die temperature, and the regulator will go into thermal shutdown. See [Application Hints](#) for additional information on heatsinking and thermal resistance.
- (3) When used in dual-supply systems where the regulator load is returned to a negative supply, the output voltage must be diode-clamped to ground.
- (4) May exceed the input supply voltage.
- (5) Human Body Model, 200 pF discharged through 1.5 kΩ.

### Electrical Characteristics

Limits in standard typeface are for  $T_J = 25^\circ\text{C}$ , and limits in **boldface type** apply over the full operating temperature range. Unless otherwise specified:  $C_{IN} = 4.7 \mu\text{F}$ ,  $V_{IN} = V_O(\text{NOM}) + 1\text{V}$ ,  $I_L = 1 \text{ mA}$ ,  $C_{OUT} = 10 \mu\text{F}$  for 5V parts or  $C_{OUT} = 22 \mu\text{F}$  for 3.3V parts, Feedback pin is tied to  $V_{TAP}$  pin, Output pin is tied to Sense pin,  $V_{SD} = 2\text{V}$ .

Symbol	Parameter	Conditions	Typ	LP2960AI <sup>(1)</sup>		LP2960I <sup>(1)</sup>		Units
				Min	Max	Min	Max	
$V_O$	Output Voltage (5V Versions)	$1 \text{ mA} \leq I_L \leq 500 \text{ mA}$	5.0	4.962 <b>4.930</b>	5.038 <b>5.070</b>	4.925 <b>4.880</b>	5.075 <b>5.120</b>	V
	Output Voltage (3.3 Versions)	$1 \text{ mA} \leq I_L \leq 500 \text{ mA}$	3.3	3.275 <b>3.254</b>	3.325 <b>3.346</b>	3.250 <b>3.221</b>	3.350 <b>3.379</b>	
$\frac{\Delta V_O}{\Delta T}$	Output Voltage Temperature Coefficient	See <sup>(2)</sup>	<b>20</b>		<b>130</b>		<b>160</b>	ppm/°C
$\frac{\Delta V_O}{V_O}$	Output Voltage Line Regulation	$V_{IN} = [V_O(\text{NOM}) + 1\text{V}] \text{ to } 30\text{V}$	0.06		0.2 <b>0.5</b>		0.4 <b>0.8</b>	%
$\frac{\Delta V_O}{V_O}$	Output Voltage Load Regulation	See <sup>(3)</sup>	0.08		0.16 <b>0.30</b>		0.20 <b>0.40</b>	%

- (1) All room temperature limits are 100% production tested. All limits at **temperature extremes** are ensured via correlation using standard Statistical Quality Control (SQC) methods. All limits are used to calculate Average Outgoing Quality Level.
- (2) Output or reference voltage temperature coefficient is defined as the worst case voltage change divided by the total temperature range.
- (3) Output voltage load regulation is measured at constant junction temperature using low duty cycle pulse testing. Two separate tests are performed, one for the load current range of 100  $\mu\text{A}$  to 1 mA and one for the 1 mA to 500 mA range. Changes in output voltage due to heating effects are covered by the thermal regulation specification.

## Electrical Characteristics (continued)

Limits in standard typeface are for  $T_J = 25^\circ\text{C}$ , and limits in **boldface type** apply over the full operating temperature range. Unless otherwise specified:  $C_{IN} = 4.7\ \mu\text{F}$ ,  $V_{IN} = V_O(\text{NOM}) + 1\text{V}$ ,  $I_L = 1\ \text{mA}$ ,  $C_{OUT} = 10\ \mu\text{F}$  for 5V parts or  $C_{OUT} = 22\ \mu\text{F}$  for 3.3V parts, Feedback pin is tied to  $V_{TAP}$  pin, Output pin is tied to Sense pin,  $V_{SD} = 2\text{V}$ .

Symbol	Parameter	Conditions	Typ	LP2960AI <sup>(1)</sup>		LP2960I <sup>(1)</sup>		Units
				Min	Max	Min	Max	
$V_{IN} - V_O$	Dropout Voltage <sup>(4)</sup>	$I_L = 1\ \text{mA}$	12		30 <b>50</b>		30 <b>50</b>	mV
		$I_L = 100\ \text{mA}$	180		250 <b>350</b>		250 <b>350</b>	
		$I_L = 200\ \text{mA}$	260		350 <b>450</b>		350 <b>450</b>	
		$I_L = 500\ \text{mA}$	470		600 <b>800</b>		600 <b>800</b>	
$I_{GND}$	Ground Pin Current <sup>(5)</sup>	$I_L = 1\ \text{mA}$	450		600 <b>750</b>		600 <b>750</b>	$\mu\text{A}$
		$I_L = 100\ \text{mA}$	2.6		4.0 <b>5.0</b>		4.0 <b>5.0</b>	mA
		$I_L = 200\ \text{mA}$	2.5		8 <b>10</b>		8 <b>10</b>	
		$I_L = 500\ \text{mA}$	21		35 <b>40</b>		35 <b>40</b>	
$I_{GND}$	Ground Pin Current at Dropout <sup>(5)</sup>	$V_{IN} = V_O(\text{NOM}) - 0.5\text{V}$ $I_L = 100\ \mu\text{A}$	1.8		3 <b>5</b>		3 <b>5</b>	mA
	Ground Pin Current at Shutdown <sup>(5)</sup>	$V_{SD} \leq 1.1\text{V}$	300		400		400	$\mu\text{A}$
$I_{LIMIT}$	Current Limit	$R_L = 0.5\Omega$	1000		1500 <b>1600</b>		1500 <b>1600</b>	mA
$\frac{\Delta V_O}{P_D}$	Thermal Regulation	See <sup>(6)</sup>	0.05		0.2		0.2	%/W
$e_n$	Output Noise Voltage @ $I_L = 100\ \text{mA}$ (10 Hz–100kHz)	$C_{OUT} = 10\ \mu\text{F}$	300					$\mu\text{V}$ RMS
		$C_{OUT} = 47\ \mu\text{F}$	210					
		$C_{OUT} = 47\ \mu\text{F}$ <sup>(7)</sup>	130					
$V_{REF}$	Reference Voltage		1.235	1.220 <b>1.210</b>	1.250 <b>1.265</b>	1.210 <b>1.195</b>	1.260 <b>1.275</b>	V
$\frac{\Delta V_{REF}}{V_{REF}}$	Reference Voltage Line Regulation	See <sup>(8)</sup>	0.05		0.1 <b>0.30</b>		0.2 <b>0.4</b>	%
$\frac{\Delta V_{REF}}{V_{REF}}$	Reference Voltage Load Regulation	$I_{REF} = 0\text{--}200\ \mu\text{A}$	0.45		0.6 <b>0.9</b>		1.2 <b>1.5</b>	%
$\frac{\Delta V_{REF}}{\Delta T}$	Reference Voltage Temperature Coefficient	See <sup>(9)</sup>	<b>20</b>					ppm/ $^\circ\text{C}$
$I_B(\text{FB})$	Feedback Pin Bias Current		-20		-50 <b>-70</b>		-50 <b>-70</b>	nA

- (4) Dropout voltage is defined as the input to output differential at which the output voltage drops 100 mV below the value measured with a 1V differential. At very low values of programmed output voltage, the input voltage minimum of 2V (**2.3V over temperature**) must be observed.
- (5) Ground pin current is the regulator quiescent current. The total current drawn from the source is the sum of the ground pin current, output load current, and current through the external resistive divider (if used).
- (6) Thermal regulation is the change in output voltage at a time T after a change in power dissipation, excluding load or line regulation effects. Specifications are for a 400 mA load pulse at  $V_{IN} = V_O(\text{NOM}) + 15\text{V}$  (6W pulse) for  $T = 10\ \text{ms}$ .
- (7) Connect a 0.1  $\mu\text{F}$  capacitor from the output to the feedback pin.
- (8) Two separate tests are performed for reference voltage line regulation, one covering  $2.5\text{V} \leq V_{IN} \leq V_O(\text{NOM}) + 1\text{V}$  and the other test for  $V_O(\text{NOM}) + 1\text{V} \leq V_{IN} \leq 30\text{V}$ .
- (9) Output or reference voltage temperature coefficient is defined as the worst case voltage change divided by the total temperature range.

## Electrical Characteristics (continued)

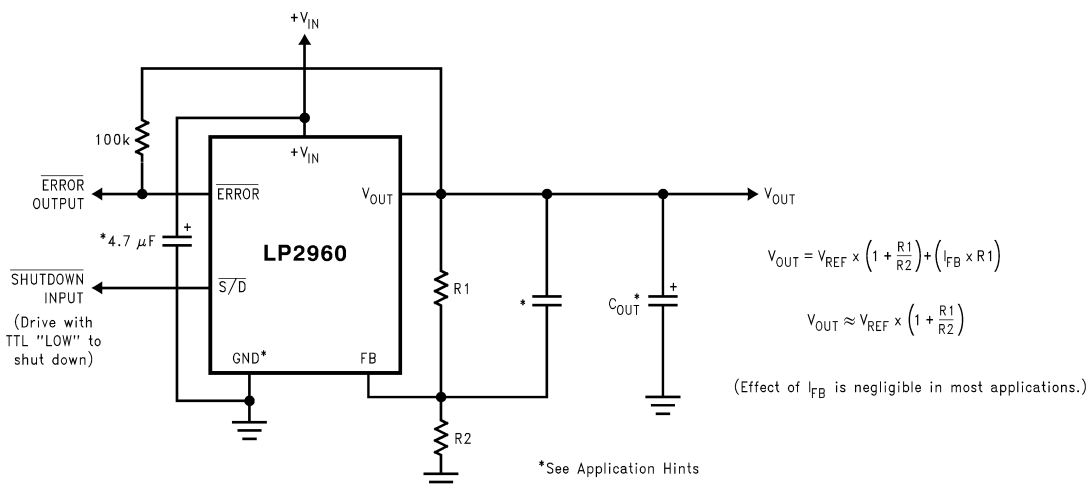
Limits in standard typeface are for  $T_J = 25^\circ\text{C}$ , and limits in **boldface type** apply over the full operating temperature range. Unless otherwise specified:  $C_{IN} = 4.7\ \mu\text{F}$ ,  $V_{IN} = V_O(\text{NOM}) + 1\text{V}$ ,  $I_L = 1\ \text{mA}$ ,  $C_{OUT} = 10\ \mu\text{F}$  for 5V parts or  $C_{OUT} = 22\ \mu\text{F}$  for 3.3V parts, Feedback pin is tied to  $V_{TAP}$  pin, Output pin is tied to Sense pin,  $V_{SD} = 2\text{V}$ .

Symbol	Parameter	Conditions	Typ	LP2960AI <sup>(1)</sup>		LP2960I <sup>(1)</sup>		Units
				Min	Max	Min	Max	
<b>DROPOUT DETECTION COMPARATOR</b>								
$I_{OH}$	Output HIGH Leakage	$V_{OH} = 30\text{V}$	0.01		1 2		1 2	$\mu\text{A}$
$V_{OL}$	Output LOW Voltage	$V_{IN} = V_O(\text{NOM}) - 1\text{V}$ $I_O(\text{COMP}) = 400\ \mu\text{A}$	125		250 400		250 400	mV
$V_{THR(\text{max})}$	Upper Threshold Voltage	See <sup>(10)</sup>	-60	-80 -100	-35 -25	-80 -100	-35 -25	mV
$V_{THR(\text{min})}$	Lower Threshold Voltage	See <sup>(10)</sup>	-85	-130 -200	-70 -35	-130 -200	-70 -35	mV
HYST	Hysteresis	See <sup>(10)</sup>	25					mV
<b>SHUTDOWN INPUT</b>								
$V_{OS}$	Input Offset Voltage	(Referred to $V_{REF}$ )	$\pm 5$	-18 -24	18 24	-18 -24	18 24	mV
HYST	Hysteresis	(Referred to $V_{REF}$ )	10					mV
$I_B$	Input Bias Current	$V_{SD} = 0\text{--}5\text{V}$	-20	-60 -100	60 100	-60 -100	60 100	nA
$I_{OUT(\text{S/D})}$	Regulator Output Current in Shutdown	See <sup>(11)</sup>	3		12 20		12 20	$\mu\text{A}$
<b>AUXILIARY COMPARATOR</b>								
$V_{OS}$	Input Offset Voltage	(Referred to $V_{REF}$ )	$\pm 5$	-15 -20	15 20	-15 -20	15 20	mV
HYST	Hysteresis	(Referred to $V_{REF}$ )	10					mV
$I_B$	Input Bias Current	$V_{COMP} = 0\text{--}5\text{V}$	-20	-60 -100	60 100	-60 -100	60 100	nA
$I_{OH}$	Output HIGH Leakage	$V_{OH} = 30\text{V}$ , $V_{COMP} = 1.3\text{V}$	0.01		1 2		1 2	$\mu\text{A}$
$V_{OL}$	Output LOW Voltage	$V_{COMP} = 1.1\text{V}$ , $I_O = 400\ \mu\text{A}$	125		250 400		250 400	mV

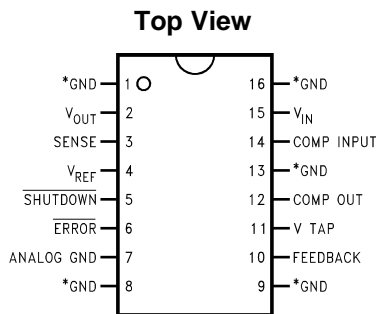
(10) Dropout detection comparator threshold voltages are expressed in terms of a voltage differential measured at the Feedback terminal below the *nominal* reference voltage, which is the reference voltage measured with  $V_{IN} = V_O(\text{NOM}) + 1\text{V}$ . To express these thresholds in terms of output voltage change, multiply by the error amplifier gain which is  $V_O/V_{REF} = (R1 + R2)/R2$  (see [Basic Application Circuit](#)).

(11)  $V_{\text{shutdown}} \leq 1.1\text{V}$ ,  $V_{IN} < 30\text{V}$ ,  $V_{OUT} = 0\text{V}$ .

### Basic Application Circuit



### Connection Diagram



\*Internally Connected to Power Ground

**Figure 1. 16-Pin Surface Mount SOIC Package**  
See Package Number D0016A

### Typical Performance Characteristics

Unless otherwise specified:  $C_{IN} = 4.7 \mu\text{F}$ ,  $V_{IN} = 6\text{V}$ ,  $I_L = 1 \text{ mA}$ ,  $C_{OUT} = 10 \mu\text{F}$ , Feedback pin is tied to  $V_{TAP}$  pin, Output pin is tied to Sense pin,  $V_{SD} = 2\text{V}$ ,  $V_{OUT} = 5\text{V}$ .

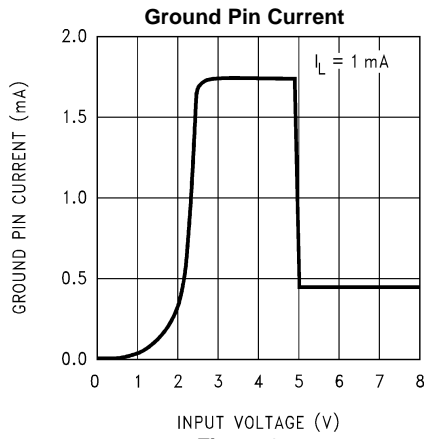


Figure 2.

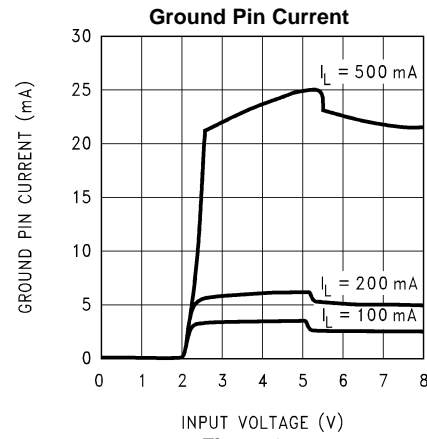


Figure 3.

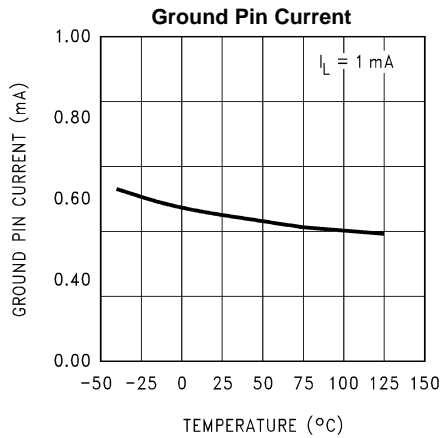


Figure 4.

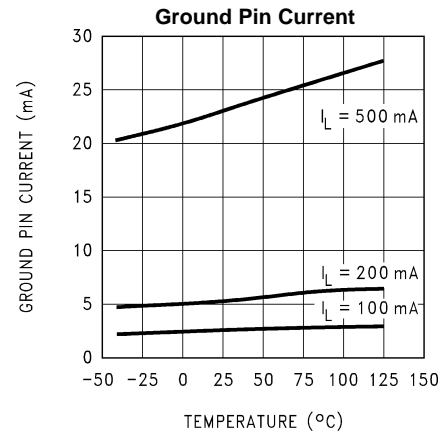


Figure 5.

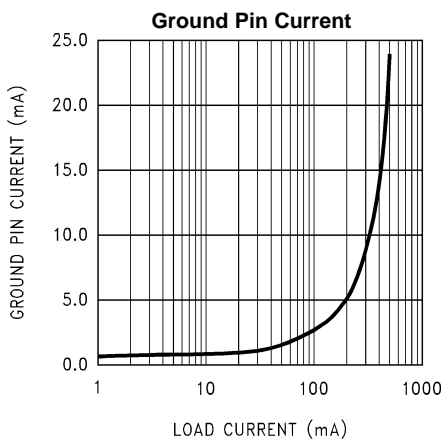


Figure 6.

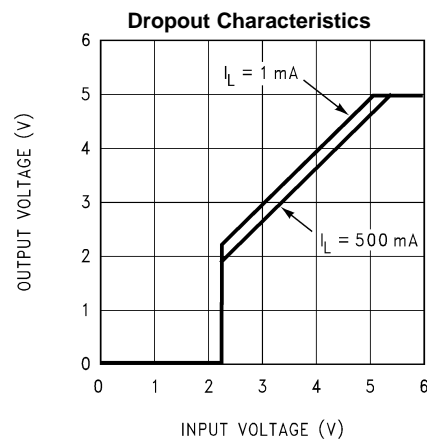


Figure 7.

**Typical Performance Characteristics (continued)**

Unless otherwise specified:  $C_{IN} = 4.7 \mu F$ ,  $V_{IN} = 6V$ ,  $I_L = 1 mA$ ,  $C_{OUT} = 10 \mu F$ , Feedback pin is tied to  $V_{TAP}$  pin, Output pin is tied to Sense pin,  $V_{S/D} = 2V$ ,  $V_{OUT} = 5V$ .

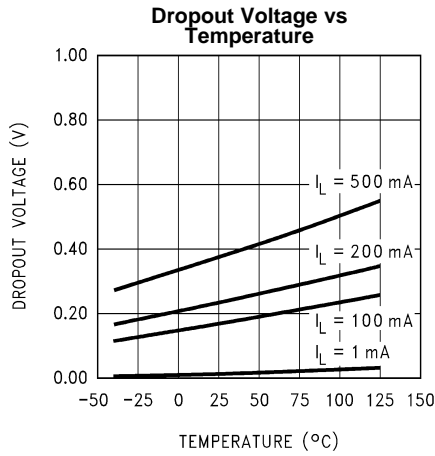


Figure 8.

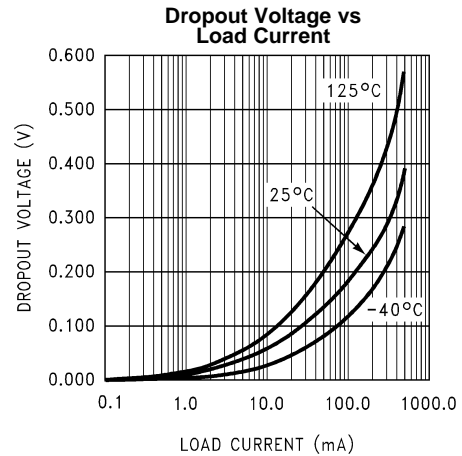


Figure 9.

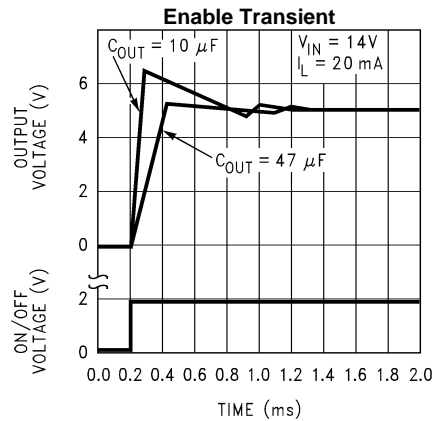


Figure 10.

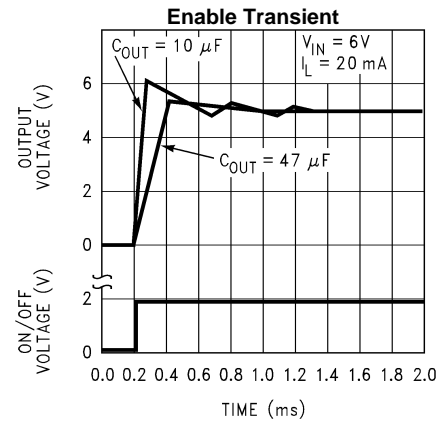


Figure 11.

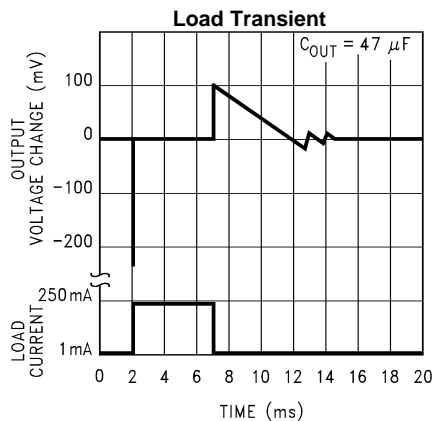


Figure 12.

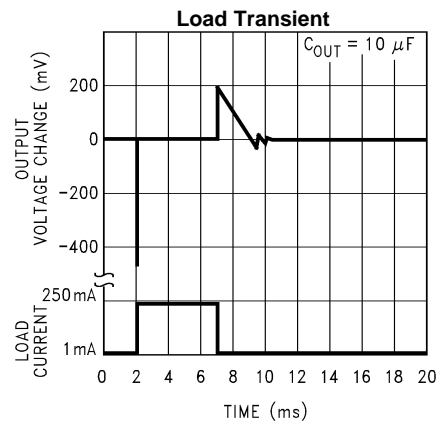
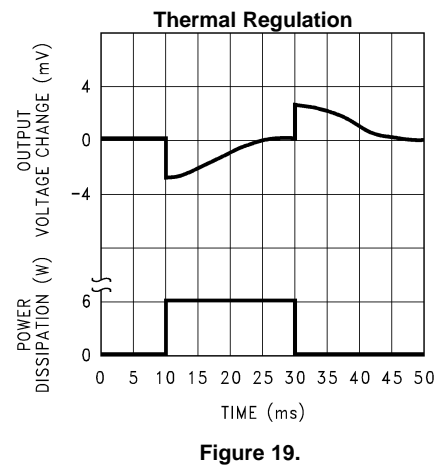
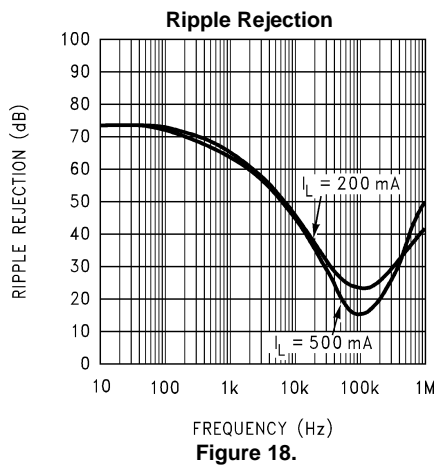
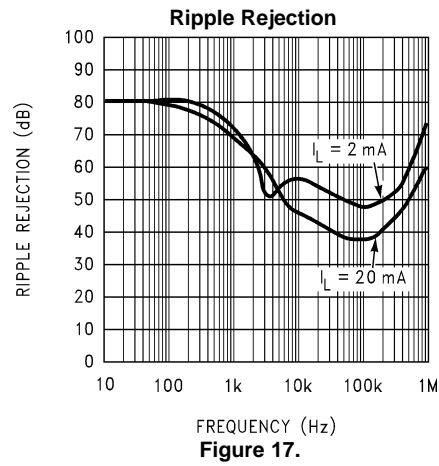
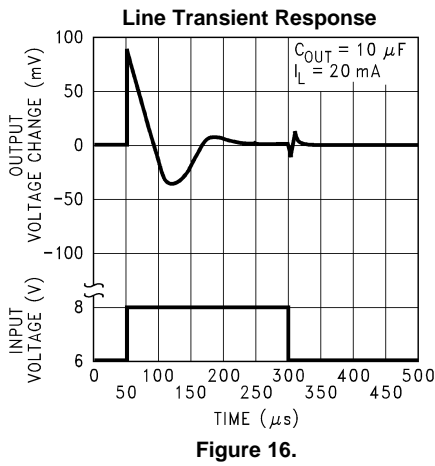
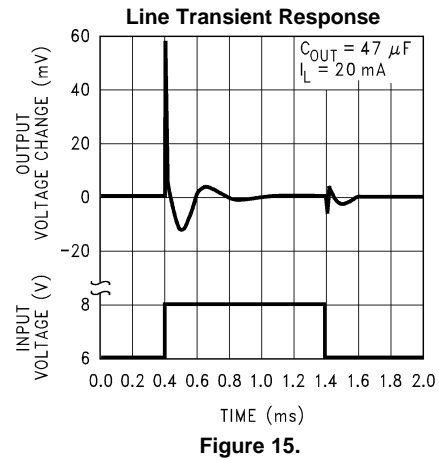
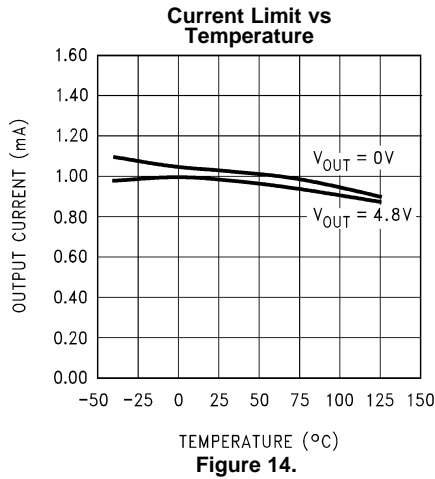


Figure 13.

### Typical Performance Characteristics (continued)

Unless otherwise specified:  $C_{IN} = 4.7 \mu F$ ,  $V_{IN} = 6V$ ,  $I_L = 1 mA$ ,  $C_{OUT} = 10 \mu F$ , Feedback pin is tied to  $V_{TAP}$  pin, Output pin is tied to Sense pin,  $V_{S/D} = 2V$ ,  $V_{OUT} = 5V$ .





**Typical Performance Characteristics (continued)**

Unless otherwise specified:  $C_{IN} = 4.7 \mu F$ ,  $V_{IN} = 6V$ ,  $I_L = 1 mA$ ,  $C_{OUT} = 10 \mu F$ , Feedback pin is tied to  $V_{TAP}$  pin, Output pin is tied to Sense pin,  $V_{SD} = 2V$ ,  $V_{OUT} = 5V$ .

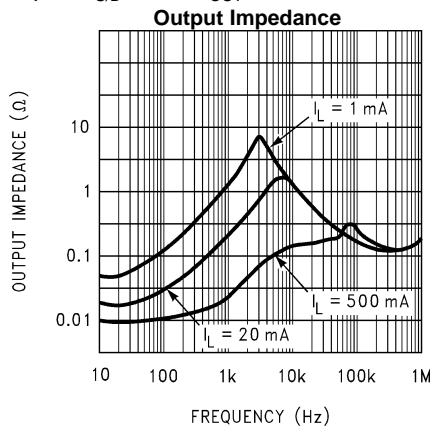


Figure 20.

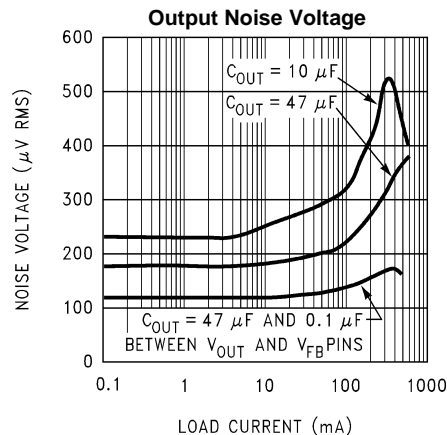


Figure 21.

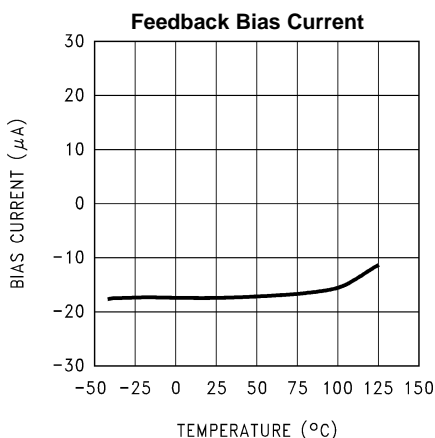


Figure 22.

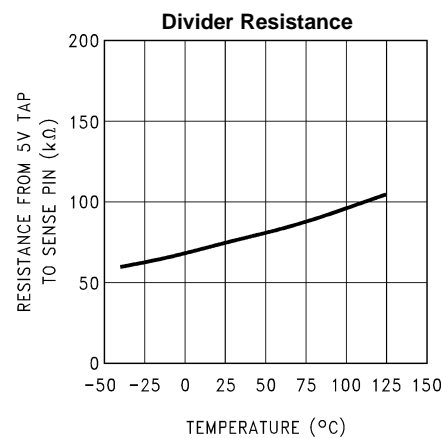


Figure 23.

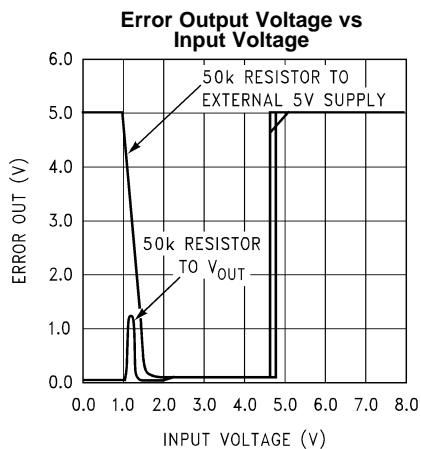


Figure 24.

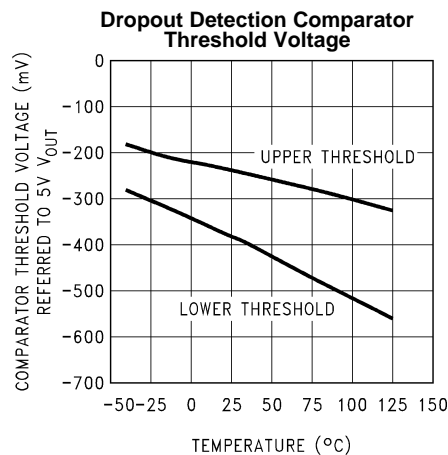
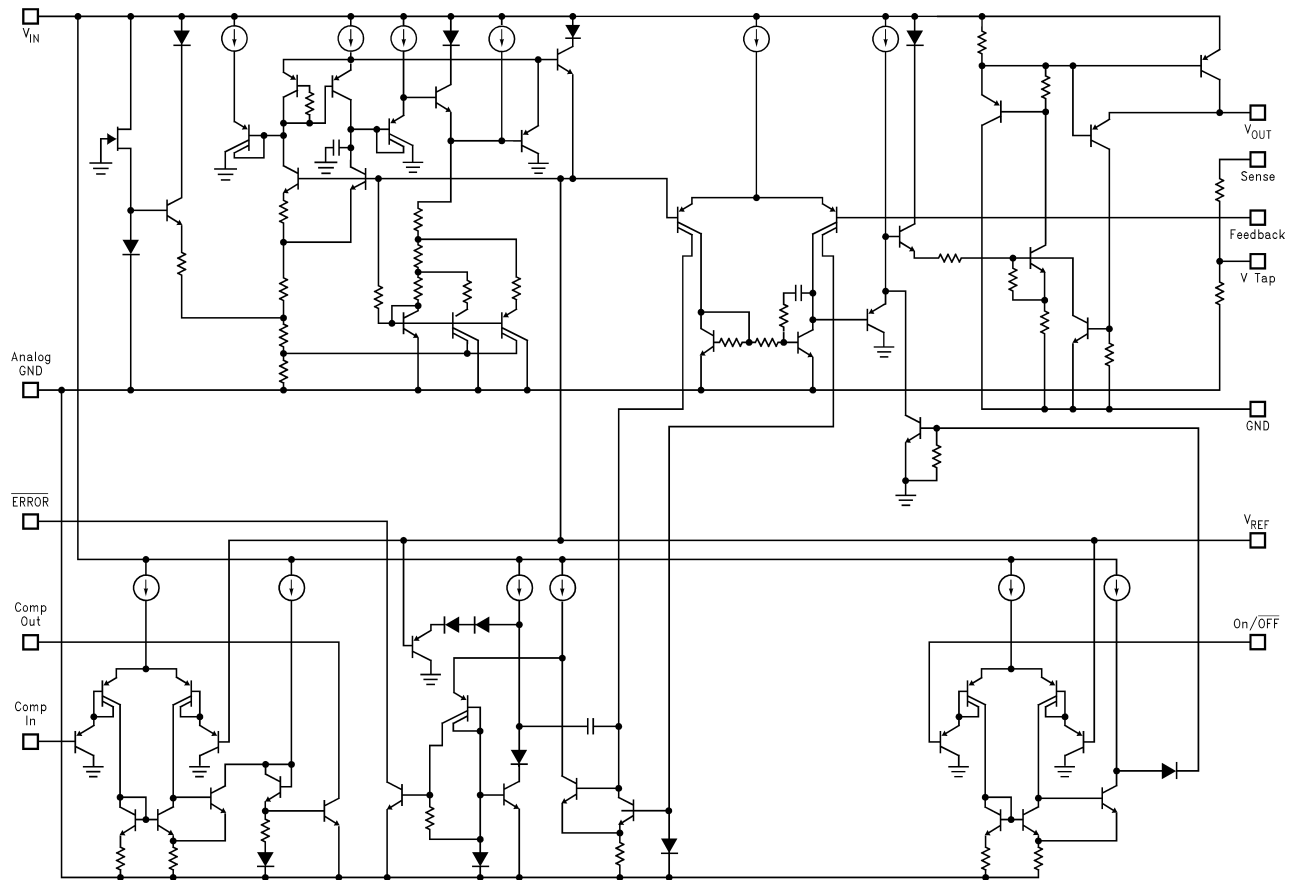


Figure 25.

### Schematic Diagram



## APPLICATION HINTS

### EXTERNAL CAPACITORS

Bypass capacitors on the input and output of the LP2960 are required: without these capacitors, *the part will oscillate*.

A capacitor (whose value is *at least* 4.7  $\mu\text{F}$ ) must be connected from the  $V_{\text{IN}}$  pin to ground. If the input capacitor is located more than one inch away from the LP2960, the capacitor may have to be increased to 22  $\mu\text{F}$  to assure stability. A capacitor is also required between  $V_{\text{OUT}}$  and Ground, and the minimum amount of capacitance required here depends on output voltage.

If the output voltage of the LP2960 is set to 5V, a minimum of 10  $\mu\text{F}$  is needed in output capacitance. At 3.3V output, at least 22  $\mu\text{F}$  is required to assure stability.

**ESR LIMIT:** The ESR of the capacitor used on the LP2960 must be less than  $0.7\Omega$  *throughout the entire operating temperature range* to assure stability.

The ESR of an aluminum electrolytic capacitor is typically only specified at 25°C, and does not reflect the maximum ESR that can be expected to occur over the entire temperature range of the capacitor.

Aluminum electrolytics show a marked increase in ESR at low temperatures (ESR can increase by a factor of 30 or more when going from 25°C to –30°C) which could lead to oscillation problems in applications with very low ambient temperatures. Solid tantalum capacitors are recommended for use in such cases.

Regulator instability can be caused by stray (board layout) capacitance appearing at the Feedback terminal. Oscillations from this effect are most likely to occur when very high value resistors are used to set the output voltage.

Adding a 100 pF capacitor between the Output and Feedback pins and increasing the output capacitor to at least 22  $\mu\text{F}$  will stop the oscillations.

### MINIMUM LOAD

The internal resistive divider in the LP2960 provides sufficient output loading for proper regulation. If external resistors are used to set the LP2960 output voltage, a minimum current of 5  $\mu\text{A}$  through the external resistive divider is recommended.

It should be noted that a minimum load current is specified in several of the test conditions listed under [Electrical Characteristics](#), and this value of load current must be used to get correlation on these test limits.

### PROGRAMMING THE OUTPUT VOLTAGE

The LP2960 regulator may be pin-strapped for operation at the nominal output voltage using its internal resistive divider by tying the Output and Sense pins together and also tying the Feedback and  $V_{\text{TAP}}$  pins together.

Alternatively, it may be programmed for any voltage between the 1.23V reference and the 30V maximum rating using an external pair of resistors (see [Basic Application Circuit](#)).

The complete equation for the output voltage is:

$$V_{\text{OUT}} = V_{\text{REF}} \times (1 + R1/R2) + (I_{\text{FB}} \times R1) \quad (1)$$

The term  $V_{\text{REF}}$  is the 1.23V reference and  $I_{\text{FB}}$  is the Feedback pin bias current (–20 nA typical). The minimum recommended load current of 5  $\mu\text{A}$  sets an upper limit of 240 k $\Omega$  on the value of R2 in cases where the regulator must work with no load (see [Minimum Load](#)).

For best output accuracy, choosing R2 = 100 k $\Omega$  will reduce the error resulting from  $I_{\text{FB}}$  to 0.17% while increasing the resistive divider current to 12  $\mu\text{A}$ . Since the typical quiescent current of the LP2960 is 450  $\mu\text{A}$ , this added current through R2 is negligible.

### DROPOUT VOLTAGE

The dropout voltage of the regulator is defined as the minimum input-to-output voltage differential required for the output voltage to stay within 100 mV of the output voltage measured with a 1V differential. The dropout voltage is independent of the programmed output voltage.

## OUTPUT ISOLATION

If the LP2960 output is connected to an active voltage source (such as a battery) the regulator input should not be shorted to ground, as this will cause a large current to flow from the battery into the LP2960 output lead.

If the LP2960 input is *left floating* with the output connected to a battery, a small current (a few mA) will flow into the output lead.

The “reverse” current flowing from the battery into the LP2960 output can be prevented by using a blocking diode between the output and the battery.

## REDUCING OUTPUT NOISE

In reference applications it may be desirable to reduce the AC noise present on the output. One method is to reduce regulator bandwidth by increasing output capacitance. This is relatively inefficient, since large increases in capacitance are required to get significant improvement.

Noise can be reduced more effectively by a bypass capacitor placed across R1 (refer to [Basic Application Circuit](#)).

A 0.1  $\mu\text{F}$  capacitor connected across R1 will reduce the high frequency gain of the circuit to unity, lowering the RMS output noise voltage from 210  $\mu\text{V}$  to 130  $\mu\text{V}$  (typical) using a 10 Hz–100 kHz bandwidth test measurement.

Also, output noise is no longer proportional to the output voltage, so improvements are more pronounced at higher output voltages.

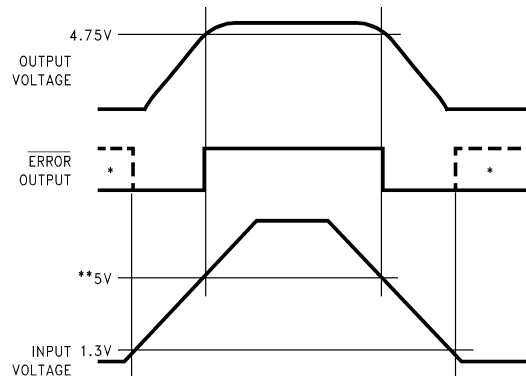
**IMPORTANT:** Since the 0.1  $\mu\text{F}$  capacitor reduces the AC gain of the LP2960 to unity, the output capacitance must be increased to at least 33  $\mu\text{F}$  to assure regulator stability.

## DROPOUT DETECTION COMPARATOR

The dropout detection comparator produces a logic “LOW” on the Error output whenever the LP2960 output drops out of regulation by more than about 5%. This figure results from the comparator’s built-in offset of 60 mV divided by the 1.23V reference (refer to [Block Diagram](#)).

The “5% below nominal” trip level remains constant regardless of the programmed output voltage. An out-of-regulation condition can result from low input voltage, current limiting, or thermal limiting.

The figure below gives a timing diagram showing the relationship between the output voltage, the Error output, and input voltage as the input voltage is ramped up and down to a regulator programmed for 5V output.



\*In shutdown mode,  $\overline{\text{ERROR}}$  will go high if it has been pulled up to an external supply. To avoid this invalid response, pull-up to regulator output.

\*\*Exact value depends on dropout voltage. (See [Application Hints](#))

**Figure 26. Error Output Timing Diagram**

The Error signal becomes low as  $V_{\text{IN}}$  exceeds about 1.3V. It goes high at about 5V input, where the output equals 4.75V. Since the dropout voltage is load dependent, the *input voltage* trip points will vary with load current, but the *output voltage* trip point does not.

The comparator has an open-collector output which requires an external pull-up resistor. This resistor may be connected to the LP2960 output or another supply voltage.

Best operation is obtained by connecting the pull-up to the LP2960 output. If the pull-up resistor is connected to an external 5V supply, the error flag will incorrectly signal “HIGH” whenever  $V_{IN} < 1.3V$  (see [Figure 26](#)).

In selecting a value for the pull-up resistor, note that while the output can sink 400  $\mu A$ , this current adds to battery drain. Suggested values range from 100 k $\Omega$ –1 M $\Omega$ . The resistor is not required if the output is unused.

If a large output capacitance is used, a false logic “HIGH” can be generated when  $V_{IN} \approx 1.3V$ . In this case, the error output becomes a high impedance, causing the voltage at the error output to rise to its pull-up value. If the pull-up resistor is connected to  $V_{OUT}$ , the error output can rise to 1.2V (which is a logic “HIGH” signal *incorrectly* signifying the output is in regulation).

The user may wish to divide down the error flag voltage using equal-value resistors (10 k $\Omega$  suggested) to ensure a low-level logic signal during any fault condition, while still allowing a valid high logic level during normal operation.

## AUXILIARY COMPARATOR

The LP2960 contains an auxiliary comparator whose inverting input is connected to the 1.23V reference. The auxiliary comparator has an open-collector output whose electrical characteristics are similar to the dropout detection comparator. The non-inverting input and output are brought out for external connections.

## SHUTDOWN INPUT

A logic-level signal will shut off the regulator output when a “LOW” (< 1.2V) is applied to the Shutdown input.

To prevent possible mis-operation, the Shutdown input must be actively terminated. If the input is driven from open-collector logic, a pull-up resistor (20 k $\Omega$ –100 k $\Omega$  recommended) should be connected from the Shutdown input to the regulator input.

If the Shutdown input is driven from a source which actively pulls low and high (like an op-amp), the pull-up resistor is not required, but may be used.

If the Shutdown input is to be unused, the cost of the pull-up resistor can be saved by tying the Shutdown input directly to the regulator input.

**IMPORTANT:** Since the [Absolute Maximum Ratings](#) state that the Shutdown input can not go more than 0.3V below ground, the reverse-battery protection feature which protects the regulator input is sacrificed if the Shutdown input is tied directly to the regulator input.

If reverse-battery protection is required in an application, *the pull-up resistor between the Shutdown input and the regulator input must be used.*

## GROUND CONNECTIONS

The pins designated GND (see [Connection Diagram](#)) must be connected to the high-current ground point in the circuit.

The GND pins are electrically connected (through the lead frame) to the die substrate, making them ideal for conducting ground current or heat (see [HEATSINKING](#)).

The surface-mount (D) package also has an Analog Ground pin, which is the ground point on the die for the regulator reference circuitry.

Along with the Sense pin, the availability of the Analog Ground pin allows the designer the ability to use “remote” sensing and eliminate output voltage errors due to IR drops occurring along PC board traces.

**IMPORTANT:** *The Analog Ground pin must be connected to circuit ground at some point for the regulator to operate.*

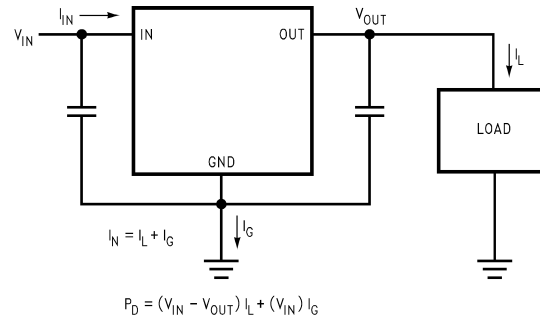
If remote sensing is not needed, the Analog Ground pin can simply be pin-strapped to the adjacent GND pin.

## HEATSINKING

A heatsink may be required with the LP2960 depending on the maximum power dissipation and maximum ambient temperature of the application. Under all possible operating conditions, the junction temperature must be within the range specified under [Absolute Maximum Ratings](#).

To determine if a heatsink is required, the power dissipated by the regulator,  $P_D$ , must be calculated.

The figure below shows the voltages and currents which are present in the circuit, as well as the formula for calculating the power dissipated in the regulator:



**Figure 27. Power Dissipation Diagram**

The next parameter which must be calculated is the maximum allowable temperature rise,  $T_R$  (max). This is calculated by using the formula:

$$T_R \text{ (max)} = T_J \text{ (max)} - T_A \text{ (max)}$$

where

- $T_J$  (max) is the maximum allowable junction temperature, which is 125°C for commercial grade parts
- $T_A$  (max) is the maximum ambient temperature which will be encountered in the application

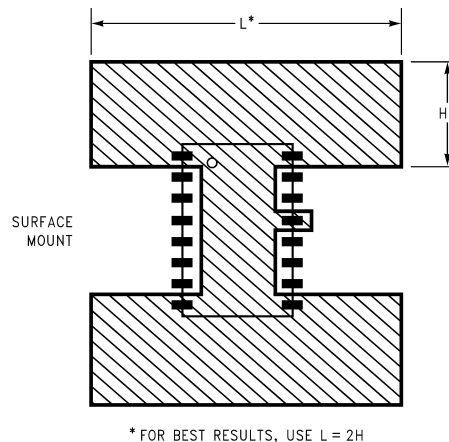
Using the calculated values for  $T_R$  (max) and  $P_D$ , the maximum allowable value for the junction-to-ambient thermal resistance,  $\theta_{(J-A)}$ , can now be found:

$$\theta_{(J-A)} = T_R \text{ (max)} / P_D$$

The heatsink for the LP2960 is made using the PC board copper, with the heat generated on the die being conducted through the lead frame and out to the pins which are soldered to the PC board.

The GND pins are the only ones capable of conducting any significant amount of heat, as they are internally attached to the lead frame on which the die is mounted.

The figure below shows recommended copper foil patterns to be used for heatsinking the DIP and Surface Mount (SOIC) packages:



**Figure 28. Heat Sink Foil Patterns**

The table below shows measured values of  $\theta_{(J-A)}$  for a PC board with 1 ounce copper weight:

Package	L (in.)	H (in.)	$\theta_{J-A} (^{\circ}\text{C/W})$
DIP	1	0.5	50
	2	0.2	52
Surface Mount SOIC	1	0.5	72
	2	0.2	74

As the heat must transfer from the copper to the surrounding air, best results (lowest  $\theta_{J-A}$ ) will be obtained by using a *surface* copper layer with the solder resist opened up over the heatsink area.

If an *internal* copper layer of a multi-layer board is used for heatsinking, the board material acts as an insulator, inhibiting heat transfer and increasing  $\theta_{J-A}$ .

As with any heatsink, increasing the airflow across the board will significantly improve the heat transfer.

### Typical Applications

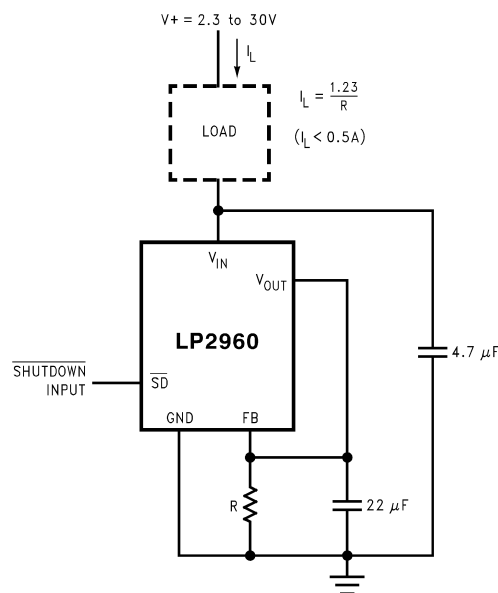
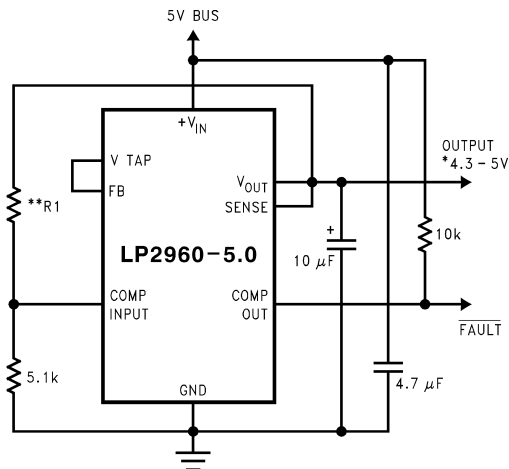


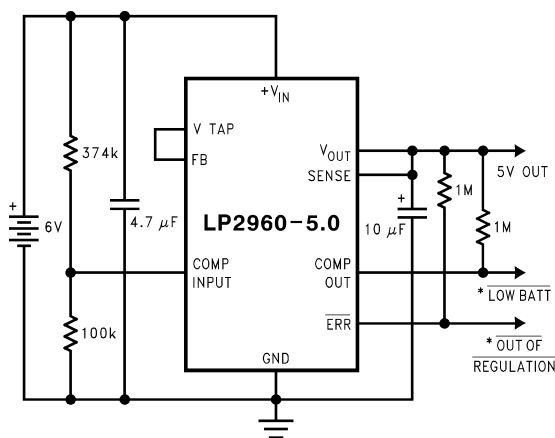
Figure 29. Low T.C. Current Sink



\*Output voltage equals  $+V_{IN}$  minus dropout voltage, which varies with output current. Current limits at a maximum of 1000 mA (typical).

\*\*Select R1 so that the comparator input voltage is 1.23V at the output voltage which corresponds to the desired fault current value.

**Figure 30. 5V Bus Current Limiter with Load Fault Indicator**

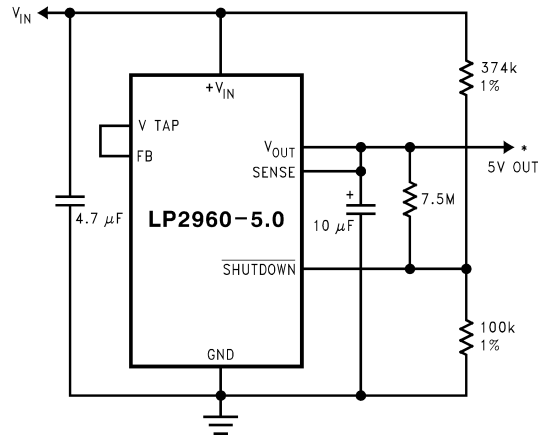


\*Connect to Logic or  $\mu P$  control inputs.

LOW BATT flag warns the user that the battery has discharged down to about 5.8V, giving the user time to recharge the battery or power-down some hardware with high power requirements. The output is still in regulation at this time. OUT OF REGULATION flag indicates when the battery is almost completely discharged, and can be used to initiate a power-down sequence.

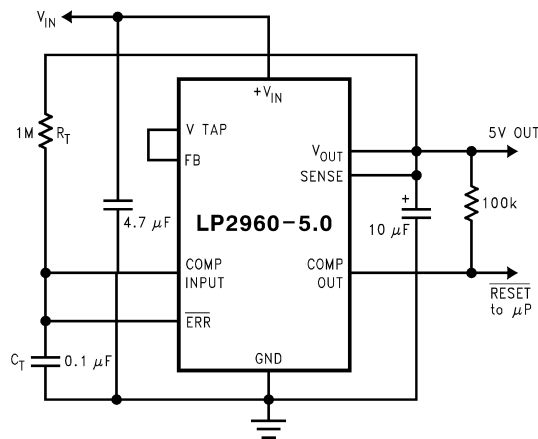
**Figure 31. 5V Regulator with Error Flags for LOW BATTERY and OUT OF REGULATION**



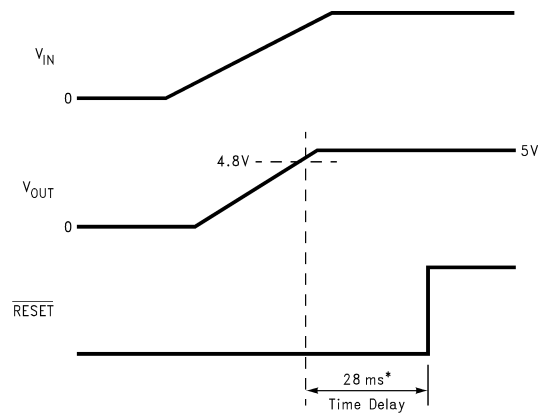


\*Turns ON at  $V_{IN} = 5.87V$   
 Turns OFF at  $V_{IN} = 5.64V$   
 (for component values shown)

**Figure 32. 5V Regulator with Snap-ON/Snap-OFF Feature and Hysteresis**



**Figure 33. 5V Regulator with Timed Power-On Reset**



\* $R_T = 1 \text{ Meg}$ ,  $C_T = 0.1 \mu F$

**Figure 34. Timing Diagram for Timed Power-On Reset**

### REVISION HISTORY

Changes from Revision B (April 2013) to Revision C	Page
• Changed layout of National Data Sheet to TI format .....	<a href="#">17</a>

**PACKAGING INFORMATION**

Orderable part number	Status (1)	Material type (2)	Package   Pins	Package qty   Carrier	RoHS (3)	Lead finish/ Ball material (4)	MSL rating/ Peak reflow (5)	Op temp (°C)	Part marking (6)
<a href="#">LP2960AIMX-5.0/NOPB</a>	Active	Production	SOIC (D)   16	2500   LARGE T&R	Yes	SN	Level-3-260C-168 HR	-40 to 125	LP2960AIM -5.0
<a href="#">LP2960IM-5.0/NOPB</a>	Active	Production	SOIC (D)   16	48   TUBE	Yes	SN	Level-3-260C-168 HR	-40 to 125	LP2960IM -5.0
LP2960IM-5.0/NOPB.B	Active	Production	SOIC (D)   16	48   TUBE	Yes	SN	Level-3-260C-168 HR	-40 to 125	LP2960IM -5.0
<a href="#">LP2960IMX-3.3/NOPB</a>	Active	Production	SOIC (D)   16	2500   LARGE T&R	Yes	SN	Level-3-260C-168 HR	-40 to 125	LP2960IM -3.3
LP2960IMX-3.3/NOPB.B	Active	Production	SOIC (D)   16	2500   LARGE T&R	Yes	SN	Level-3-260C-168 HR	-40 to 125	LP2960IM -3.3

(1) **Status:** For more details on status, see our [product life cycle](#).

(2) **Material type:** When designated, preproduction parts are prototypes/experimental devices, and are not yet approved or released for full production. Testing and final process, including without limitation quality assurance, reliability performance testing, and/or process qualification, may not yet be complete, and this item is subject to further changes or possible discontinuation. If available for ordering, purchases will be subject to an additional waiver at checkout, and are intended for early internal evaluation purposes only. These items are sold without warranties of any kind.

(3) **RoHS values:** Yes, No, RoHS Exempt. See the [TI RoHS Statement](#) for additional information and value definition.

(4) **Lead finish/Ball material:** Parts may have multiple material finish options. Finish options are separated by a vertical ruled line. Lead finish/Ball material values may wrap to two lines if the finish value exceeds the maximum column width.

(5) **MSL rating/Peak reflow:** The moisture sensitivity level ratings and peak solder (reflow) temperatures. In the event that a part has multiple moisture sensitivity ratings, only the lowest level per JEDEC standards is shown. Refer to the shipping label for the actual reflow temperature that will be used to mount the part to the printed circuit board.

(6) **Part marking:** There may be an additional marking, which relates to the logo, the lot trace code information, or the environmental category of the part.

Multiple part markings will be inside parentheses. Only one part marking contained in parentheses and separated by a "~" will appear on a part. If a line is indented then it is a continuation of the previous line and the two combined represent the entire part marking for that device.

**Important Information and Disclaimer:** The information provided on this page represents TI's knowledge and belief as of the date that it is provided. TI bases its knowledge and belief on information provided by third parties, and makes no representation or warranty as to the accuracy of such information. Efforts are underway to better integrate information from third parties. TI has taken and continues to take reasonable steps to provide representative and accurate information but may not have conducted destructive testing or chemical analysis on incoming materials and chemicals. TI and TI suppliers consider certain information to be proprietary, and thus CAS numbers and other limited information may not be available for release.

In no event shall TI's liability arising out of such information exceed the total purchase price of the TI part(s) at issue in this document sold by TI to Customer on an annual basis.

**TAPE AND REEL INFORMATION**

**QUADRANT ASSIGNMENTS FOR PIN 1 ORIENTATION IN TAPE**


\*All dimensions are nominal

Device	Package Type	Package Drawing	Pins	SPQ	Reel Diameter (mm)	Reel Width W1 (mm)	A0 (mm)	B0 (mm)	K0 (mm)	P1 (mm)	W (mm)	Pin1 Quadrant
LP2960AIMX-5.0/NOPB	SOIC	D	16	2500	330.0	16.4	6.5	10.3	2.3	8.0	16.0	Q1
LP2960IMX-3.3/NOPB	SOIC	D	16	2500	330.0	16.4	6.5	10.3	2.3	8.0	16.0	Q1

**TAPE AND REEL BOX DIMENSIONS**


\*All dimensions are nominal

Device	Package Type	Package Drawing	Pins	SPQ	Length (mm)	Width (mm)	Height (mm)
LP2960AIMX-5.0/NOPB	SOIC	D	16	2500	356.0	356.0	36.0
LP2960IMX-3.3/NOPB	SOIC	D	16	2500	356.0	356.0	36.0

**TUBE**


\*All dimensions are nominal

Device	Package Name	Package Type	Pins	SPQ	L (mm)	W (mm)	T (μm)	B (mm)
LP2960IM-5.0/NOPB	D	SOIC	16	48	495	8	4064	3.05
LP2960IM-5.0/NOPB.B	D	SOIC	16	48	495	8	4064	3.05

D (R-PDSO-G16)

PLASTIC SMALL OUTLINE



- NOTES:
- A. All linear dimensions are in inches (millimeters).
  - B. This drawing is subject to change without notice.
  - Body length does not include mold flash, protrusions, or gate burrs. Mold flash, protrusions, or gate burrs shall not exceed 0.006 (0,15) each side.
  - Body width does not include interlead flash. Interlead flash shall not exceed 0.017 (0,43) each side.
  - E. Reference JEDEC MS-012 variation AC.



## IMPORTANT NOTICE AND DISCLAIMER

TI PROVIDES TECHNICAL AND RELIABILITY DATA (INCLUDING DATASHEETS), DESIGN RESOURCES (INCLUDING REFERENCE DESIGNS), APPLICATION OR OTHER DESIGN ADVICE, WEB TOOLS, SAFETY INFORMATION, AND OTHER RESOURCES "AS IS" AND WITH ALL FAULTS, AND DISCLAIMS ALL WARRANTIES, EXPRESS AND IMPLIED, INCLUDING WITHOUT LIMITATION ANY IMPLIED WARRANTIES OF MERCHANTABILITY, FITNESS FOR A PARTICULAR PURPOSE OR NON-INFRINGEMENT OF THIRD PARTY INTELLECTUAL PROPERTY RIGHTS.

These resources are intended for skilled developers designing with TI products. You are solely responsible for (1) selecting the appropriate TI products for your application, (2) designing, validating and testing your application, and (3) ensuring your application meets applicable standards, and any other safety, security, regulatory or other requirements.

These resources are subject to change without notice. TI grants you permission to use these resources only for development of an application that uses the TI products described in the resource. Other reproduction and display of these resources is prohibited. No license is granted to any other TI intellectual property right or to any third party intellectual property right. TI disclaims responsibility for, and you fully indemnify TI and its representatives against any claims, damages, costs, losses, and liabilities arising out of your use of these resources.

TI's products are provided subject to [TI's Terms of Sale](#), [TI's General Quality Guidelines](#), or other applicable terms available either on [ti.com](http://ti.com) or provided in conjunction with such TI products. TI's provision of these resources does not expand or otherwise alter TI's applicable warranties or warranty disclaimers for TI products. Unless TI explicitly designates a product as custom or customer-specified, TI products are standard, catalog, general purpose devices.

TI objects to and rejects any additional or different terms you may propose.

Copyright © 2025, Texas Instruments Incorporated

Last updated 10/2025