

具有可编程延迟和 1% 复位阈值的 LP3470A 超低功耗电压监控器

1 特性

- 与 LP3470 引脚对引脚兼容
- 5 引脚 SOT-23 封装
- 漏极开路复位输出
- 使用外部电容器的可编程复位超时周期
- 不受 VCC 短时瞬变干扰
- $\pm 1\%$ 复位阈值精度（典型值）
- 超低静态电流（ $0.3\mu\text{A}$ 典型值）
- 复位有效低至 $V_{CC} = 0.95\text{V}$

2 应用

- 关键 μP 和 μC 电源监视
- 智能仪表
- 计算机
- 便携式和电池供电类设备
- 楼宇自动化：楼宇安全系统、视频监控
- 工厂自动化：现场发送器、位置和接近传感器
- 电机驱动器

3 说明

低功耗电压监控电路 LP3470A 器件设计用于在 1% 的过热复位阈值内监测电压，与 TI 现有的 LP3470 器件引脚对引脚兼容。LP3470A 器件提供精确的毫微功耗电压监控，具有可编程延迟功能。

当 VCC 电源电压低于复位阈值时，LP3470A 将发出复位信号。使用外部电容器可调节复位超时周期。VCC 升至阈值电压以上且加一定迟滞后，在某一间隔（可通过外部电容器编程）复位保持有效。

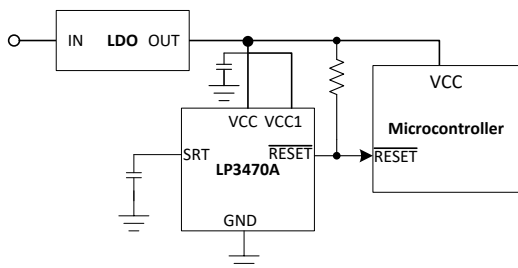
有关可用复位阈值电压选项的信息，请参阅 [机械、封装和可订购信息](#)。

器件信息(1)

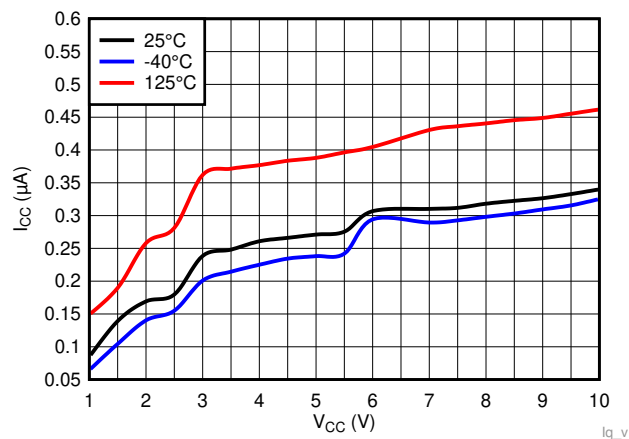
器件型号	封装	封装尺寸（标称值）
LP3470A	SOT-23 (5)	1.60mm × 2.90mm

(1) 要了解所有可用封装，请参阅数据表末尾的“封装选项附录”。

基本工作电路



LP3470A 典型电源电流



目录

1	特性	1	8.3	Feature Description.....	9
2	应用	1	8.4	Device Functional Modes.....	11
3	说明	1	9	Application and Implementation	12
4	修订历史记录	2	9.1	Application Information.....	12
5	Device Comparison Table	3	9.2	Typical Application	12
6	Pin Configuration and Functions	4	10	Power Supply Recommendations	14
7	Specifications	5	11	Layout	14
7.1	Absolute Maximum Ratings	5	11.1	Layout Guidelines	14
7.2	ESD Ratings	5	11.2	Layout Example	14
7.3	Recommended Operating Conditions.....	5	12	器件和文档支持	15
7.4	Thermal Information	5	12.1	接收文档更新通知	15
7.5	Electrical Characteristics.....	6	12.2	支持资源.....	15
7.6	Timing Requirements	6	12.3	商标.....	15
7.7	Typical Characteristics	7	12.4	静电放电警告.....	15
8	Detailed Description	9	12.5	Glossary	15
8.1	Overview	9	13	机械、封装和可订购信息	15
8.2	Functional Block Diagram	9			

4 修订历史记录

注：之前版本的页码可能与当前版本有所不同。

Changes from Revision A (October 2019) to Revision B	Page
• 已更改 将超低静态电流从 0.35 更改为 0.3 以与“电气特性”表保持一致	1
• Changed the typical value of I_{CC} in the Electrical Characteristics table from 300 to 0.3 to match with the units of μA	6

Changes from Original (July 2019) to Revision A	Page
• 首次公开发布	1

5 Device Comparison Table

PART NUMBER	V_{IT-} (typ) (VCC RAMPING DOWN)	V_{IT+} (typ) (VCC RAMPING UP)
LP3470A263	2.63 V	2.73 V
LP3470A275	2.75 V	2.85 V
LP3470A293	2.93 V	3.03 V
LP3470A308	3.08 V	3.28 V
LP3470A365	3.65 V	3.85 V
LP3470A400	4.0 V	4.2 V
LP3470A438	4.38 V	4.58 V
LP3470A463	4.63 V	4.83 V

6 Pin Configuration and Functions



Pin Functions

PIN		I/O	DESCRIPTION
NO.	NAME		
1	SRT	I	Set reset time-out. Connect a capacitor between this pin and ground to select the reset time-out period (t_D). $t_D = 619 \times C_1$ (C_{SRT} in μF and t_D in ms). If no capacitor is connected, leave this pin floating.
2	GND	—	Ground pin.
3	VCC1	I	Can be connected to VCC or left floating. DO NOT CONNECT TO GND.
4	VCC	I	Supply voltage, and reset threshold monitor input.
5	$\overline{\text{RESET}}$	O	Open-drain, active-low reset output. Connect to an external pullup resistor. $\overline{\text{RESET}}$ changes from high to low whenever the monitored voltage (VCC) drops below the reset threshold voltage (V_{IT-}). Once VCC exceeds the reset threshold (V_{IT-}) + hysteresis (V_{HYS}), $\overline{\text{RESET}}$ remains low for the reset time-out period (t_D) and then deasserts to logic high.

7 Specifications

7.1 Absolute Maximum Ratings

over operating free-air temperature range, unless otherwise noted⁽¹⁾

		MIN	MAX	UNIT
Voltage	VCC	-0.3	12	V
	$\overline{\text{RESET}}$	-0.3	12	
	SRT	-0.3	5.5	
Current	$\overline{\text{RESET}}$		±70	mA
Temperature ⁽²⁾	Operating junction temperature, T _J	-40	150	°C
	Storage, T _{stg}	-65	150	

- (1) Stresses beyond those listed under *Absolute Maximum Rating* may cause permanent damage to the device. These are stress ratings only, which do not imply functional operation of the device at these or any other conditions beyond those indicated under *Recommended Operating Condition*. Exposure to absolute-maximum-rated conditions for extended periods may affect device reliability.
- (2) As a result of the low dissipated power in this device, it is assumed that T_J = T_A.

7.2 ESD Ratings

			VALUE	UNIT
V _(ESD)	Electrostatic discharge	Human body model (HBM), per ANSI/ESDA/JEDEC JS-001 ⁽¹⁾	± 2000	V
		Charged device model (CDM), per JEDEC specification JESD22-C101 ⁽²⁾	± 750	

- (1) JEDEC document JEP155 states that 500-V HBM allows safe manufacturing with a standard ESD control process.
- (2) JEDEC document JEP157 states that 250-V CDM allows safe manufacturing with a standard ESD control process.

7.3 Recommended Operating Conditions

over operating free-air temperature range (unless otherwise noted)

		MIN	NOM	MAX	UNIT
V _{CC}	Input supply voltage	0.95		10	V
$\overline{V_{\text{RESET}}}$, V _{RESET}	$\overline{\text{RESET}}$ pin voltage	0		10	V
$\overline{I_{\text{RESET}}}$, I _{RESET}	$\overline{\text{RESET}}$ pin current	0		±5	mA
T _J	Junction temperature (free air temperature)	-40		125	°C

7.4 Thermal Information

THERMAL METRIC ⁽¹⁾		LP3470A	UNIT
		DBV (SOT23-5)	
		5 PINS	
R _{θJA}	Junction-to-ambient thermal resistance	187.5	°C/W
R _{θJC(top)}	Junction-to-case (top) thermal resistance	109.2	°C/W
R _{θJB}	Junction-to-board thermal resistance	92.8	°C/W
ψ _{JT}	Junction-to-top characterization parameter	35.4	°C/W
ψ _{JB}	Junction-to-board characterization parameter	92.5	°C/W
R _{θJC(bot)}	Junction-to-case (bottom) thermal resistance	N/A	°C/W

- (1) For more information about traditional and new thermal metrics, see the [Semiconductor and IC Package Thermal Metrics](#) application report.

7.5 Electrical Characteristics

At 0.95 V ≤ V_{CC} ≤ 10 V, SRT = Open, $\overline{\text{RESET}}$ pull-up resistor (R_{pull-up}) = 100 kΩ to V_{CC}, output reset load (C_{LOAD}) = 10 pF and over the operating free-air temperature range – 40°C to 125°C, unless otherwise noted. Typical values are at T_J = 25°C.

PARAMETER		TEST CONDITIONS	MIN	TYP	MAX	UNIT
V _{CC}	Input supply voltage		0.95		10	V
V _{IT-}	Negative-going input threshold accuracy	-40°C to 125°C	-1.5	1	1.5	%
V _{HYS}	Hysteresis on V _{IT-} pin	V _{IT-} = 3.08 V to 4.63 V	175	200	225	mV
V _{HYS}	Hysteresis on V _{IT-} pin	V _{IT-} = 2.64 V to 2.93 V	75	100	125	mV
I _{CC}	Supply current into VCC pin	V _{CC} = 0.95 V < V _{CC} < 10 V V _{CC} > V _{IT+} ⁽¹⁾ T _A = -40°C to 125°C		0.3	1	μA
R _{SRT}	SRT pin internal resistance ⁽²⁾		350	500	650	kΩ
V _{POR}	Power on Reset Voltage ⁽³⁾	V _{OL(max)} = 0.2 V I _{OUT (Sink)} = 5.6 μA			950	mV
V _{OL}	Low level output voltage	1.5 V < V _{CC} < 5 V V _{CC} < V _{IT-} I _{OUT(Sink)} = 2 mA			200	mV
I _{lkg(OD)}	Open-Drain output leakage current	$\overline{\text{RESET}}$ pin in High Impedance, V _{CC} = V _{RESET} = 5.5 V V _{IT+} < V _{CC}			90	nA

(1) V_{IT+} = V_{HYS} + V_{IT-}

(2) This parameter is guaranteed by design and characterization

(3) V_{POR} is the minimum V_{DD} voltage level for a controlled output state. V_{DD} slew rate ≤ 100mV/μs

7.6 Timing Requirements

At 0.95 V ≤ V_{CC} ≤ 10 V, SRT = Open, $\overline{\text{RESET}}$ pull-up resistor (R_{pull-up}) = 100 kΩ to V_{CC}, output reset load (C_{LOAD}) = 10 pF and over the operating free-air temperature range – 40°C to 125°C, V_{CC} slew rate < 100mV / us, unless otherwise noted. Typical values are at T_J = 25°C.

PARAMETER		TEST CONDITIONS	MIN	TYP	MAX	UNIT
t _{P_HL}	Propagation detect delay for VCC falling below V _{IT-}	V _{CC} = V _{IT+} to (V _{IT-}) - 10% ⁽¹⁾		15	30	μs
t _D	Reset time delay	SRT pin = open V _{CC} = (V _{IT-} - 1V) to (V _{IT+} + 1V)			50	μs
		SRT pin = 10 nF ⁽²⁾⁽³⁾		6.2		ms
		SRT pin = 1 μF ⁽²⁾⁽³⁾		619		ms
t _{GL_VIT-}	Glitch immunity V _{IT-}	5% V _{IT-} overdrive ⁽³⁾⁽⁴⁾		10		μs

(1) t_{P_HL} measured from threshold trip point (V_{IT-}) to V_{OL}

(2) Ideal capacitor

(3) Parameter is guaranteed by design.

(4) Overdrive % = [(V_{CC} / V_{IT-}) - 1] × 100%

7.7 Typical Characteristics

Typical characteristics show the typical performance of the LP3470A device. Test conditions are at $T_A = T_J = 25^\circ\text{C}$ (unless otherwise noted).

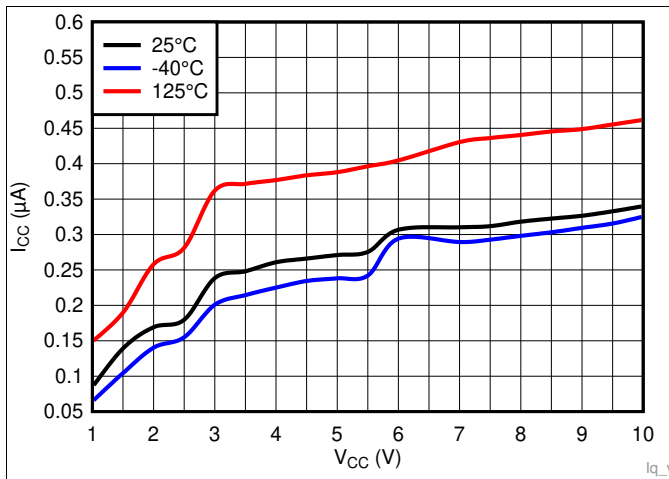


图 1. Supply Current vs Supply Voltage

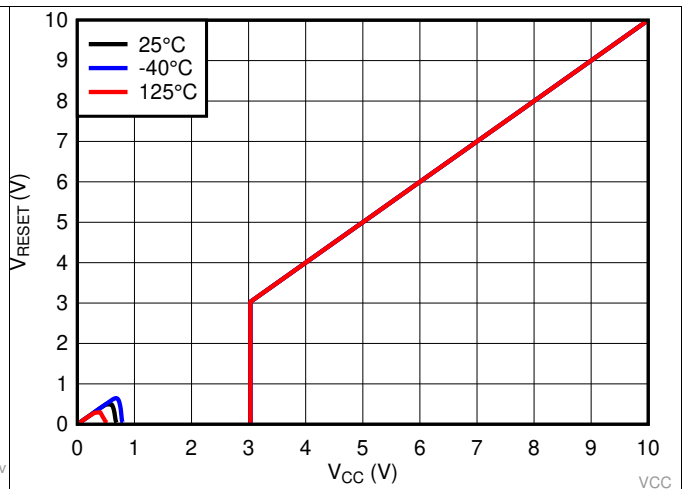


图 2. Output Voltage vs Supply Voltage for LP3470A293

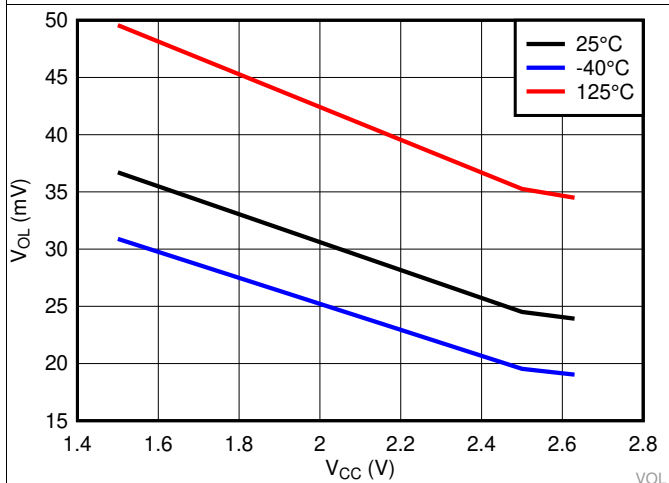


图 3. Low Level Output Voltage vs Supply Voltage

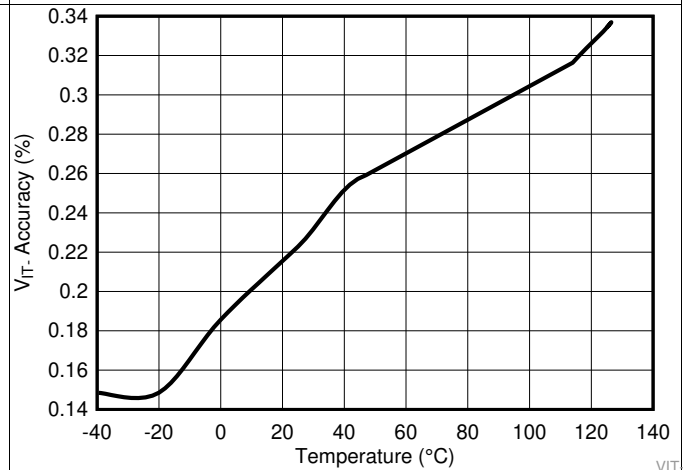


图 4. Negative-going Input Threshold V_{IT-} Accuracy vs Temperature

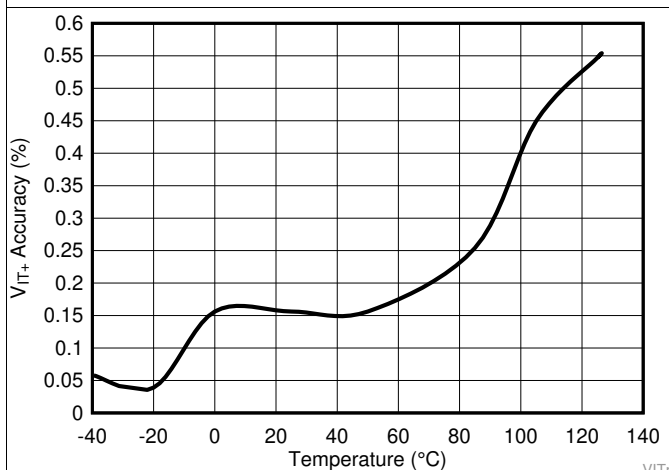


图 5. Positive-going Input Threshold V_{IT+} Accuracy vs Temperature

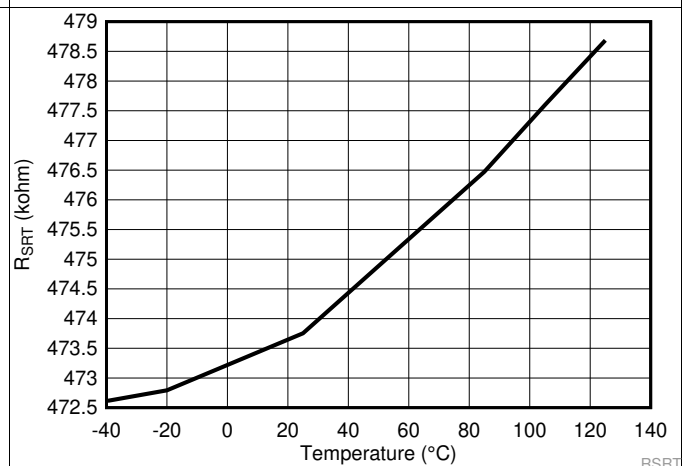
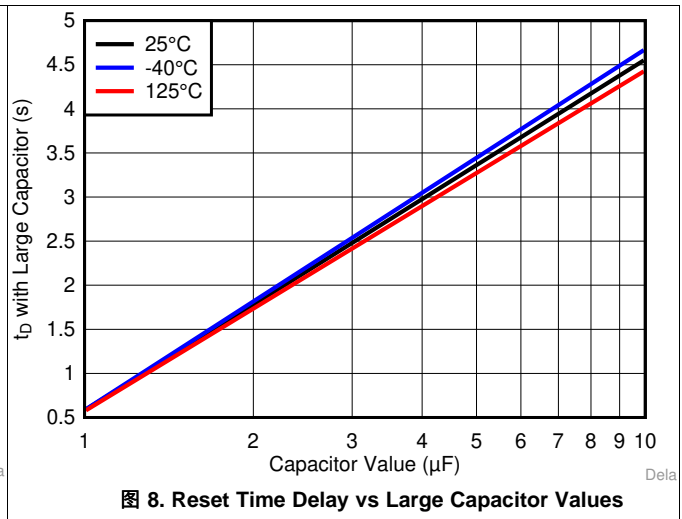
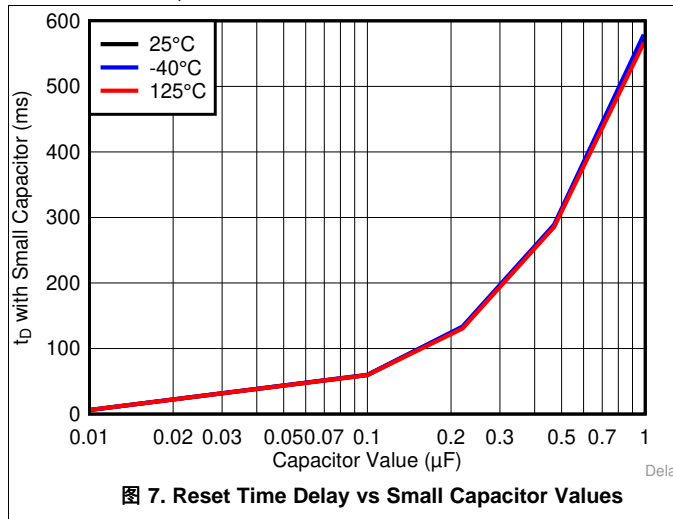


图 6. SRT Pin Internal Resistance Overtemperature

Typical Characteristics (接下页)

Typical characteristics show the typical performance of the LP3470A device. Test conditions are at $T_A = T_J = 25^\circ\text{C}$ (unless otherwise noted).

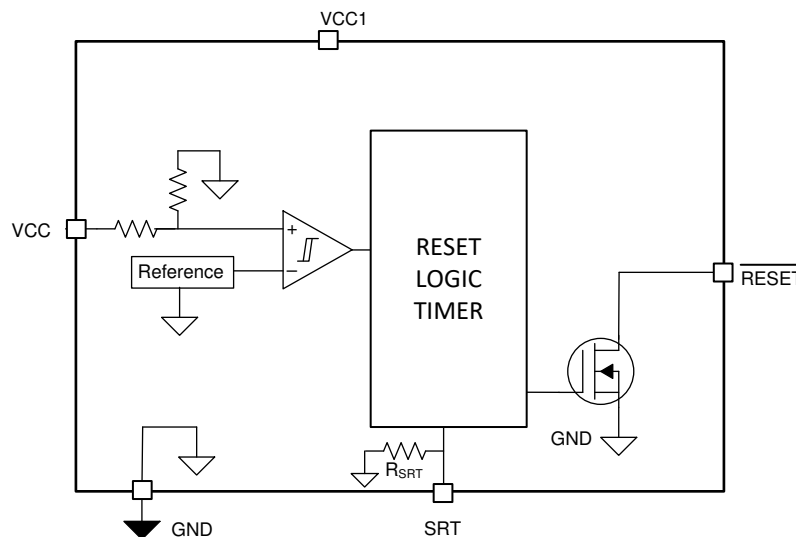


8 Detailed Description

8.1 Overview

The LP3470A micropower voltage supervisory circuit provides a simple solution to monitor the power supplies in microprocessor and digital systems and provides a reset controlled by the factory-programmed reset threshold on the VCC supply voltage pin. When the voltage declines below the reset threshold, the reset signal is asserted and remains asserted for an interval programmed by an external capacitor after VCC has risen above the threshold voltage. The reset threshold options are 2.63 V, 2.75 V, 2.93 V, 3.08 V, 3.65 V, 4 V, 4.38 V, 4.63 V.

8.2 Functional Block Diagram



8.3 Feature Description

8.3.1 $\overline{\text{RESET}}$ Time-Out Period

The reset time delay can be set to a minimum value of 50 μs by leaving the SRT pin floating, or a maximum value of approximately 6.2 seconds by connecting 10 μF delay capacitor. The reset time delay (t_D) can be programmed by connecting a capacitor no larger than 10 μF between SRT pin and GND.

The relationship between external capacitor (C_{SRT}) in Farads at SRT pin and the time delay (t_D) in seconds is given by [公式 1](#).

$$t_D = -\ln(0.29) \times R_{\text{SRT}} \times C_{\text{SRT}} + t_D(\text{no cap}) \quad (1)$$

[公式 1](#) is simplified to [公式 2](#) by plugging R_{SRT} and $t_{D(\text{no cap})}$ given in [Electrical Characteristics](#) section:

$$t_D = 618937 \times C_{\text{SRT}} + 50 \mu\text{s} \quad (2)$$

[公式 3](#) solves for external capacitor value (C_{SRT}) in units of Farads where t_D is in units of seconds

$$C_{\text{SRT}} = (t_D - 50 \mu\text{s}) \div 618937 \quad (3)$$

The reset delay varies according to three variables: the external capacitor variance (C_{SRT}), SRT pin internal resistance (R_{SRT}) provided in the [Electrical Characteristics](#) table, and a constant. The minimum and maximum variance due to the constant is shown in [Equation 5](#) and [Equation 6](#).

$$t_{D(\text{minimum})} = -\ln(0.36) \times R_{\text{SRT}(\text{min})} \times C_{\text{SRT}(\text{min})} + t_{D(\text{no cap, min})} \quad (4)$$

$$t_{D(\text{maximum})} = -\ln(0.26) \times R_{\text{SRT}(\text{max})} \times C_{\text{SRT}(\text{max})} + t_{D(\text{no cap, max})} \quad (5)$$

Feature Description (接下页)

The recommended maximum delay capacitor for the LP3470A is limited to 10 μF as this ensures there is enough time for the capacitor to fully discharge when the reset condition occurs. When a voltage fault occurs, the previously charged up capacitor discharges, and if the monitored voltage returns from the fault condition before the delay capacitor discharges completely, the delay capacitor will begin charging from a voltage above zero and the reset delay will be shorter than expected. Larger delay capacitors can be used so long as the capacitor has enough time to fully discharge during the duration of the voltage fault.

8.3.2 $\overline{\text{RESET}}$ Output

In applications like microprocessor (μP) systems, errors might occur in system operation during power up, power down, or brownout conditions. It is imperative to monitor the power supply voltage to prevent these errors from occurring.

The LP3470A asserts a reset signal whenever the VCC supply voltage is below a threshold ($V_{\text{IT-}}$) voltage. $\overline{\text{RESET}}$ is ensured to be a logic low for $V_{\text{CC}} > 0.95\text{ V}$. Once VCC exceeds the reset threshold plus a hysteresis voltage, the reset is kept asserted for a time period (t_{D}) programmed by an external capacitor (C_{SRT}); after this interval $\overline{\text{RESET}}$ goes to logic high. If a brownout condition occurs (monitored voltage falls below the reset threshold), $\overline{\text{RESET}}$ goes low. When VCC returns above the reset threshold plus a hysteresis voltage, $\overline{\text{RESET}}$ remains low for a time period t_{D} before going to logic high. 图 9 shows this behavior.

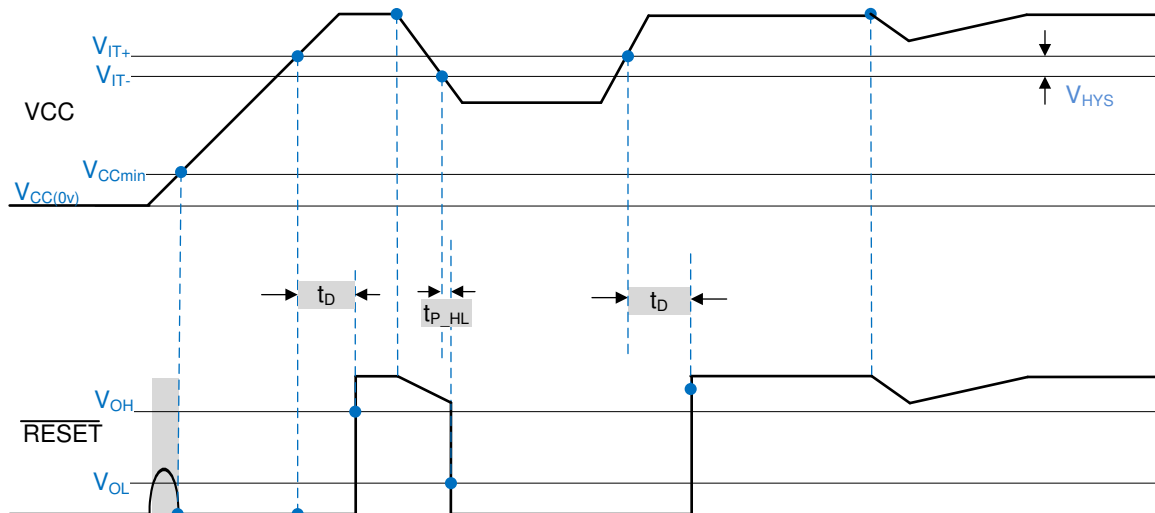


图 9. $\overline{\text{RESET}}$ Output Timing Diagram

8.3.3 Pull-up Resistor Selection

The $\overline{\text{RESET}}$ output structure of the LP3470A is an open-drain N-channel MOSFET switch. A pull-up resistor ($R_{\text{pull-up}}$) must be connected to VCC to keep the output logic high when $\overline{\text{RESET}}$ is not asserted.

Connect the pull-up resistor to the desired pull-up voltage source and $\overline{\text{RESET}}$ can be pulled up to any voltage up to 10 V independent of the VCC voltage. To ensure proper voltage levels, give some consideration when choosing the pull-up resistor values. $R_{\text{pull-up}}$ must be large enough to limit the current through the output within the recommended operating conditions. The pull-up resistor value determines the actual V_{OL} , the output capacitive loading, and the output leakage current ($I_{\text{LKG(OD)}}$). A typical pull-up resistor value of 20 k Ω is sufficient in most applications.

8.3.4 VCC Transient Immunity

The LP3470A is immune to quick voltage transients or excursions on VCC. Sensitivity to transients depends on both pulse duration and overdrive. Overdrive is defined by how much VCC deviates from the specified threshold. Threshold overdrive is calculated as a percent of the threshold in question, as shown in 公式 6. A 0.1- μF bypass capacitor mounted close to VCC provides additional transient immunity.

$$\text{Overdrive} = | (V_{\text{CC}} / V_{\text{IT-}} - 1) \times 100\% | \quad (6)$$

Feature Description (接下页)

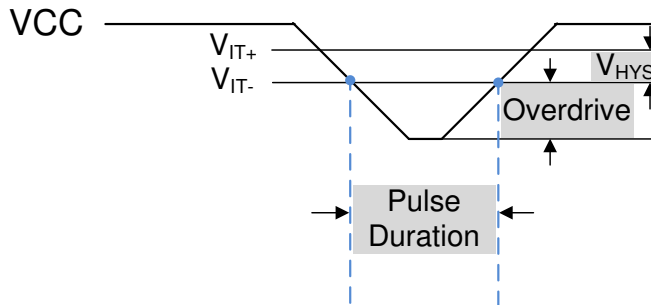


图 10. Overdrive vs Pulse Duration

8.4 Device Functional Modes

8.4.1 $\overline{\text{RESET}}$ Output Low

When the VCC supply voltage is below the reset threshold (V_{IT-}), the $\overline{\text{RESET}}$ pin will output logic low. $\overline{\text{RESET}}$ is ensured to be a logic low for $V_{CC} > 0.95 \text{ V}$.

8.4.2 $\overline{\text{RESET}}$ Output High

When the VCC supply voltage exceeds the reset threshold (V_{IT-}) plus the hysteresis voltage (V_{HYS}), the $\overline{\text{RESET}}$ remains asserted for a time period (t_D) programmed by an external capacitor (C_{SRT}); after this interval $\overline{\text{RESET}}$ goes to logic high.

9 Application and Implementation

注

Information in the following applications sections is not part of the TI component specification, and TI does not warrant its accuracy or completeness. TI's customers are responsible for determining suitability of components for their purposes. Customers should validate and test their design implementation to confirm system functionality.

9.1 Application Information

The LP3470A is a micropower CMOS voltage supervisor that is ideal for use in battery-powered microprocessor and other digital systems. It is small in size and provides voltage monitoring and supervisory functions with nano-Iq and programmable delay, making it a good solution in a variety of applications. The LP3470A is available in six standard reset threshold voltage options, and the reset time-out period is adjustable using an external capacitor providing maximum flexibility in any application. This device can ensure system reliability and ensures that a connected microprocessor will operate only when a minimum voltage supply is satisfied.

9.2 Typical Application

The LP3470A can be used as a simple supervisor circuit to monitor the input supply to a microprocessor as shown in [图 11](#).

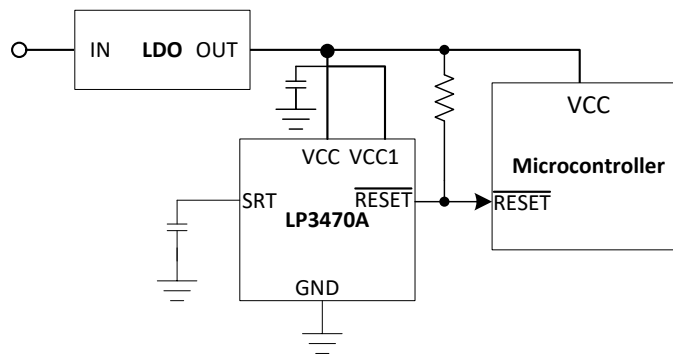


图 11. Power-On Reset Circuit

9.2.1 Design Requirements

For this design example, use the parameters listed in [表 1](#) as the input parameters.

表 1. Design Parameters

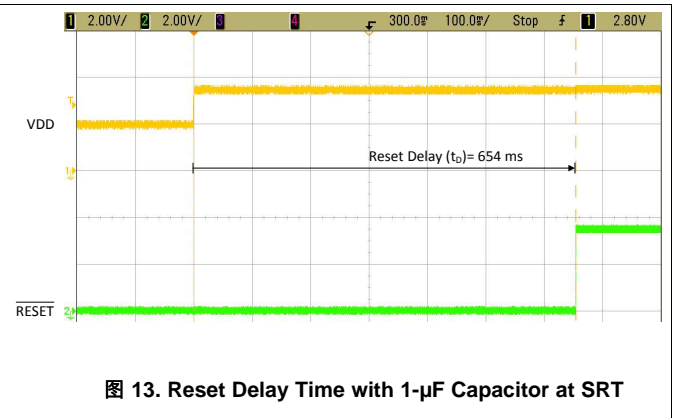
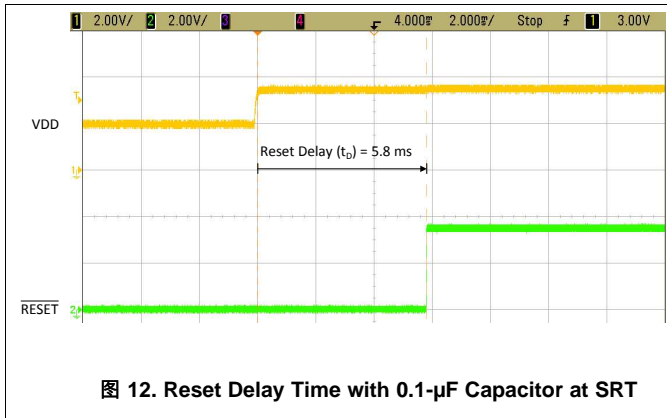
DESIGN PARAMETER	EXAMPLE VALUE
Input supply voltage	0.95 to 10 V
Reset threshold voltage	2.63 V, 2.75 V, 2.93 V, 3.08 V, 3.65 V, 4 V, 4.38 V, 4.63 V
External pullup resistor	0.68 to 68 kΩ
External reset time-out period capacitor	$C_{SRT} = 1 \text{ nF}$
Reset time-out period	619 μs

9.2.2 Detailed Design Procedure

The minimum application circuit requires the LP3470A Power-On Reset Circuit IC and a pullup resistor connecting the reset pin to VCC. The reset delay can be programmed with an additional capacitor connected from the SRT pin to GND. See [RESET Time-Out Period](#) and [Pull-up Resistor Selection](#) for information on choosing specific values for components.

9.2.3 Application Curves

Two capacitor values for C_{SRT} ($0.1\ \mu\text{F}$ and $1\ \mu\text{F}$) are used as examples to show the programmability of the output time delay as shown in 图 12 and 图 13.



10 Power Supply Recommendations


The input of the LP3470A is designed to handle up to the supply voltage absolute maximum rating of 12 V. If the input supply is susceptible to any large transients above the maximum rating, then take extra precautions. An input capacitor is optional but not required to help avoid false reset output triggers due to noise.

11 Layout

11.1 Layout Guidelines

- Good analog design practice recommends placing a minimum of 0.1- μ F ceramic capacitor as near as possible to the VCC pin.
- Place components as close as possible to the IC
- Keep traces short between the IC and the C_{SRT} capacitor to ensure the timing delay is as accurate as possible.
- For VCC slew rate > 100 mV/ μ s, increase input capacitance and pull-up resistor value

11.2 Layout Example

 14 shows a layout example.

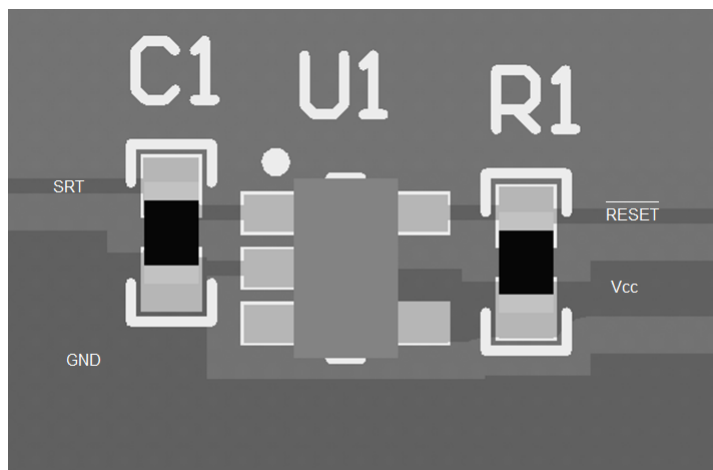


图 14. LP3470A Layout Example

12 器件和文档支持

12.1 接收文档更新通知

要接收文档更新通知，请导航至 ti.com 上的器件产品文件夹。单击右上角的通知我进行注册，即可每周接收产品信息更改摘要。有关更改的详细信息，请查看任何已修订文档中包含的修订历史记录。

12.2 支持资源

TI E2E™ [support forums](#) are an engineer's go-to source for fast, verified answers and design help — straight from the experts. Search existing answers or ask your own question to get the quick design help you need.

Linked content is provided "AS IS" by the respective contributors. They do not constitute TI specifications and do not necessarily reflect TI's views; see TI's [Terms of Use](#).

12.3 商标

E2E is a trademark of Texas Instruments.

All other trademarks are the property of their respective owners.

12.4 静电放电警告



这些装置包含有限的内置 ESD 保护。存储或装卸时，应将导线一起截短或将装置放置于导电泡棉中，以防止 MOS 门极遭受静电损伤。

12.5 Glossary

[SLYZ022](#) — *TI Glossary*.

This glossary lists and explains terms, acronyms, and definitions.

13 机械、封装和可订购信息

以下页面包含机械、封装和可订购信息。这些信息是指定器件的最新可用数据。数据如有变更，恕不另行通知，且不会对此文档进行修订。如需获取此数据表的浏览器版本，请查阅左侧的导航栏。

PACKAGING INFORMATION

Orderable part number	Status (1)	Material type (2)	Package Pins	Package qty Carrier	RoHS (3)	Lead finish/ Ball material (4)	MSL rating/ Peak reflow (5)	Op temp (°C)	Part marking (6)
LP3470A263DBVR	Active	Production	SOT-23 (DBV) 5	3000 LARGE T&R	Yes	NIPDAU SN	Level-1-260C-UNLIM	-40 to 125	D263
LP3470A263DBVR.A	Active	Production	SOT-23 (DBV) 5	3000 LARGE T&R	Yes	SN	Level-1-260C-UNLIM	-40 to 125	D263
LP3470A275DBVR	Active	Production	SOT-23 (DBV) 5	3000 LARGE T&R	Yes	NIPDAU SN	Level-1-260C-UNLIM	-40 to 125	D275
LP3470A275DBVR.A	Active	Production	SOT-23 (DBV) 5	3000 LARGE T&R	Yes	SN	Level-1-260C-UNLIM	-40 to 125	D275
LP3470A293DBVR	Active	Production	SOT-23 (DBV) 5	3000 LARGE T&R	Yes	NIPDAU SN	Level-1-260C-UNLIM	-40 to 125	D293
LP3470A293DBVR.A	Active	Production	SOT-23 (DBV) 5	3000 LARGE T&R	Yes	SN	Level-1-260C-UNLIM	-40 to 125	D293
LP3470A308DBVR	Active	Production	SOT-23 (DBV) 5	3000 LARGE T&R	Yes	NIPDAU SN	Level-1-260C-UNLIM	-40 to 125	D308
LP3470A308DBVR.A	Active	Production	SOT-23 (DBV) 5	3000 LARGE T&R	Yes	SN	Level-1-260C-UNLIM	-40 to 125	D308
LP3470A365DBVR	Active	Production	SOT-23 (DBV) 5	3000 LARGE T&R	Yes	NIPDAU SN	Level-1-260C-UNLIM	-40 to 125	D365
LP3470A365DBVR.A	Active	Production	SOT-23 (DBV) 5	3000 LARGE T&R	Yes	SN	Level-1-260C-UNLIM	-40 to 125	D365
LP3470A400DBVR	Active	Production	SOT-23 (DBV) 5	3000 LARGE T&R	Yes	NIPDAU SN	Level-1-260C-UNLIM	-40 to 125	D400
LP3470A400DBVR.A	Active	Production	SOT-23 (DBV) 5	3000 LARGE T&R	Yes	NIPDAU	Level-1-260C-UNLIM	-40 to 125	D400
LP3470A438DBVR	Active	Production	SOT-23 (DBV) 5	3000 LARGE T&R	Yes	NIPDAU SN	Level-1-260C-UNLIM	-40 to 125	D438
LP3470A438DBVR.A	Active	Production	SOT-23 (DBV) 5	3000 LARGE T&R	Yes	NIPDAU	Level-1-260C-UNLIM	-40 to 125	D438
LP3470A463DBVR	Active	Production	SOT-23 (DBV) 5	3000 LARGE T&R	Yes	NIPDAU SN	Level-1-260C-UNLIM	-40 to 125	D463
LP3470A463DBVR.A	Active	Production	SOT-23 (DBV) 5	3000 LARGE T&R	Yes	NIPDAU	Level-1-260C-UNLIM	-40 to 125	D463

(1) **Status:** For more details on status, see our [product life cycle](#).

(2) **Material type:** When designated, preproduction parts are prototypes/experimental devices, and are not yet approved or released for full production. Testing and final process, including without limitation quality assurance, reliability performance testing, and/or process qualification, may not yet be complete, and this item is subject to further changes or possible discontinuation. If available for ordering, purchases will be subject to an additional waiver at checkout, and are intended for early internal evaluation purposes only. These items are sold without warranties of any kind.

(3) **RoHS values:** Yes, No, RoHS Exempt. See the [TI RoHS Statement](#) for additional information and value definition.

(4) **Lead finish/Ball material:** Parts may have multiple material finish options. Finish options are separated by a vertical ruled line. Lead finish/Ball material values may wrap to two lines if the finish value exceeds the maximum column width.

(5) **MSL rating/Peak reflow:** The moisture sensitivity level ratings and peak solder (reflow) temperatures. In the event that a part has multiple moisture sensitivity ratings, only the lowest level per JEDEC standards is shown. Refer to the shipping label for the actual reflow temperature that will be used to mount the part to the printed circuit board.

(6) Part marking: There may be an additional marking, which relates to the logo, the lot trace code information, or the environmental category of the part.

Multiple part markings will be inside parentheses. Only one part marking contained in parentheses and separated by a "-" will appear on a part. If a line is indented then it is a continuation of the previous line and the two combined represent the entire part marking for that device.

Important Information and Disclaimer:The information provided on this page represents TI's knowledge and belief as of the date that it is provided. TI bases its knowledge and belief on information provided by third parties, and makes no representation or warranty as to the accuracy of such information. Efforts are underway to better integrate information from third parties. TI has taken and continues to take reasonable steps to provide representative and accurate information but may not have conducted destructive testing or chemical analysis on incoming materials and chemicals. TI and TI suppliers consider certain information to be proprietary, and thus CAS numbers and other limited information may not be available for release.

In no event shall TI's liability arising out of such information exceed the total purchase price of the TI part(s) at issue in this document sold by TI to Customer on an annual basis.

TAPE AND REEL INFORMATION

QUADRANT ASSIGNMENTS FOR PIN 1 ORIENTATION IN TAPE


*All dimensions are nominal

Device	Package Type	Package Drawing	Pins	SPQ	Reel Diameter (mm)	Reel Width W1 (mm)	A0 (mm)	B0 (mm)	K0 (mm)	P1 (mm)	W (mm)	Pin1 Quadrant
LP3470A263DBVR	SOT-23	DBV	5	3000	180.0	8.4	3.2	3.2	1.4	4.0	8.0	Q3
LP3470A275DBVR	SOT-23	DBV	5	3000	180.0	8.4	3.2	3.2	1.4	4.0	8.0	Q3
LP3470A293DBVR	SOT-23	DBV	5	3000	180.0	8.4	3.2	3.2	1.4	4.0	8.0	Q3
LP3470A308DBVR	SOT-23	DBV	5	3000	180.0	8.4	3.2	3.2	1.4	4.0	8.0	Q3
LP3470A365DBVR	SOT-23	DBV	5	3000	180.0	8.4	3.2	3.2	1.4	4.0	8.0	Q3
LP3470A400DBVR	SOT-23	DBV	5	3000	180.0	8.4	3.2	3.2	1.4	4.0	8.0	Q3
LP3470A438DBVR	SOT-23	DBV	5	3000	180.0	8.4	3.2	3.2	1.4	4.0	8.0	Q3
LP3470A463DBVR	SOT-23	DBV	5	3000	180.0	8.4	3.2	3.2	1.4	4.0	8.0	Q3

TAPE AND REEL BOX DIMENSIONS


*All dimensions are nominal

Device	Package Type	Package Drawing	Pins	SPQ	Length (mm)	Width (mm)	Height (mm)
LP3470A263DBVR	SOT-23	DBV	5	3000	210.0	185.0	35.0
LP3470A275DBVR	SOT-23	DBV	5	3000	210.0	185.0	35.0
LP3470A293DBVR	SOT-23	DBV	5	3000	210.0	185.0	35.0
LP3470A308DBVR	SOT-23	DBV	5	3000	210.0	185.0	35.0
LP3470A365DBVR	SOT-23	DBV	5	3000	210.0	185.0	35.0
LP3470A400DBVR	SOT-23	DBV	5	3000	210.0	185.0	35.0
LP3470A438DBVR	SOT-23	DBV	5	3000	210.0	185.0	35.0
LP3470A463DBVR	SOT-23	DBV	5	3000	210.0	185.0	35.0

EXAMPLE BOARD LAYOUT

DBV0005A

SOT-23 - 1.45 mm max height

SMALL OUTLINE TRANSISTOR



LAND PATTERN EXAMPLE
EXPOSED METAL SHOWN
SCALE:15X



SOLDER MASK DETAILS

4214839/K 08/2024

NOTES: (continued)

- 6. Publication IPC-7351 may have alternate designs.
- 7. Solder mask tolerances between and around signal pads can vary based on board fabrication site.

EXAMPLE STENCIL DESIGN

DBV0005A

SOT-23 - 1.45 mm max height

SMALL OUTLINE TRANSISTOR



SOLDER PASTE EXAMPLE
BASED ON 0.125 mm THICK STENCIL
SCALE:15X

4214839/K 08/2024

NOTES: (continued)

8. Laser cutting apertures with trapezoidal walls and rounded corners may offer better paste release. IPC-7525 may have alternate design recommendations.
9. Board assembly site may have different recommendations for stencil design.

重要通知和免责声明

TI“按原样”提供技术和可靠性数据（包括数据表）、设计资源（包括参考设计）、应用或其他设计建议、网络工具、安全信息和其他资源，不保证没有瑕疵且不做任何明示或暗示的担保，包括但不限于对适销性、与某特定用途的适用性或不侵犯任何第三方知识产权的暗示担保。

这些资源可供使用 TI 产品进行设计的熟练开发人员使用。您将自行承担以下全部责任：(1) 针对您的应用选择合适的 TI 产品，(2) 设计、验证并测试您的应用，(3) 确保您的应用满足相应标准以及任何其他安全、安保法规或其他要求。

这些资源如有变更，恕不另行通知。TI 授权您仅可将这些资源用于研发本资源所述的 TI 产品的相关应用。严禁以其他方式对这些资源进行复制或展示。您无权使用任何其他 TI 知识产权或任何第三方知识产权。对于因您对这些资源的使用而对 TI 及其代表造成的任何索赔、损害、成本、损失和债务，您将全额赔偿，TI 对此概不负责。

TI 提供的产品受 [TI 销售条款](#)、[TI 通用质量指南](#) 或 [ti.com](#) 上其他适用条款或 TI 产品随附的其他适用条款的约束。TI 提供这些资源并不会扩展或以其他方式更改 TI 针对 TI 产品发布的适用的担保或担保免责声明。除非德州仪器 (TI) 明确将某产品指定为定制产品或客户特定产品，否则其产品均为按确定价格收入目录的标准通用器件。

TI 反对并拒绝您可能提出的任何其他或不同的条款。

版权所有 © 2026，德州仪器 (TI) 公司

最后更新日期：2025 年 10 月