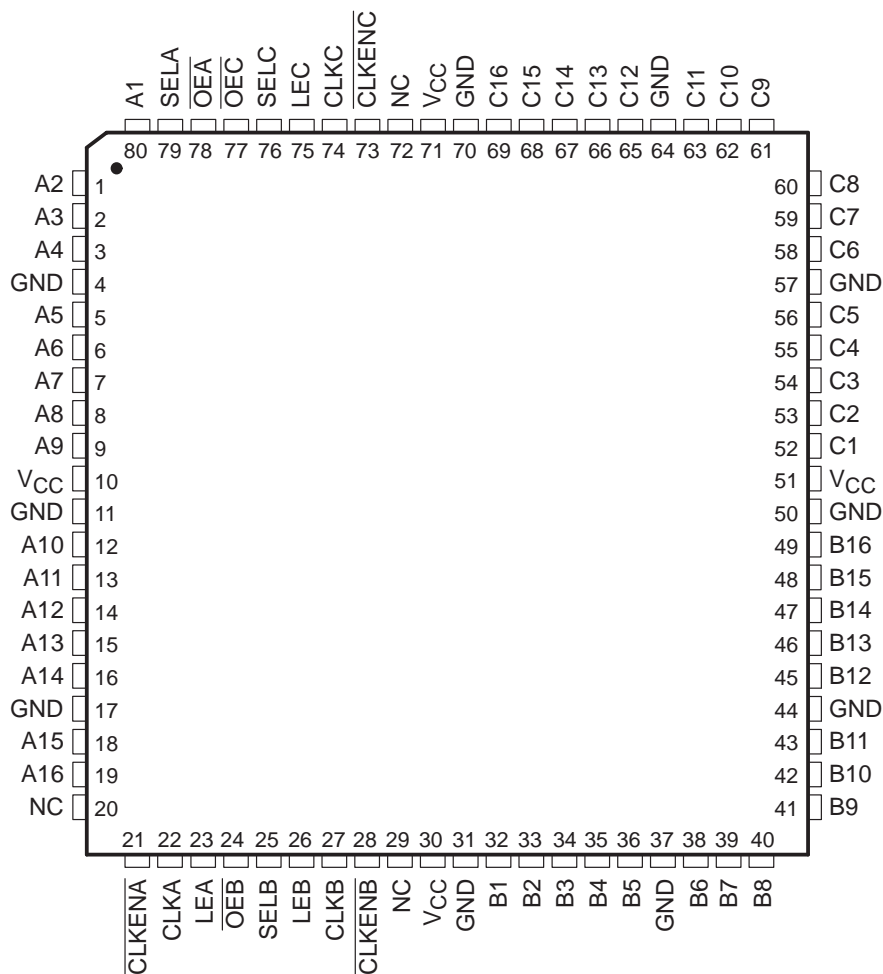


# SN54ABTH32316, SN74ABTH32316 16-BIT TRI-PORT UNIVERSAL BUS EXCHANGERS

SCBS179E – JUNE 1992 – REVISED MAY 1997

- **Members of the Texas Instruments Widebus+™ Family**
- **State-of-the-Art EPIC-IIB™ BiCMOS Design Significantly Reduces Power Dissipation**
- **UBE™ (Universal Bus Exchanger) Combines D-Type Latches and D-Type Flip-Flops for Operation in Transparent, Latched, Clocked, or Clock-Enabled Mode**
- **ESD Protection Exceeds 2000 V Per MIL-STD-883, Method 3015**
- **Latch-Up Performance Exceeds 500 mA Per JEDEC Standard JESD-17**
- **Typical  $V_{OLP}$  (Output Ground Bounce) < 0.8 V at  $V_{CC} = 5 V$ ,  $T_A = 25^\circ C$**
- **High-Impedance State During Power Up and Power Down**
- **Distributed  $V_{CC}$  and GND Pin Configuration Minimizes High-Speed Switching Noise**
- **High-Drive Outputs ( $-32\text{-mA } I_{OH}$ ,  $64\text{-mA } I_{OL}$ )**
- **Bus Hold on Data Inputs Eliminates the Need for External Pullup/Pulldown Resistors**
- **Package Options Include 80-Pin Plastic Thin Quad Flat (PN) Package With  $12 \times 12\text{-mm}$  Body Using 0.5-mm Lead Pitch and 84-Pin Ceramic Quad Flat (HT) Package**

'ABTH32316 . . . PN PACKAGE  
(TOP VIEW)



NC – No internal connection



Please be aware that an important notice concerning availability, standard warranty, and use in critical applications of Texas Instruments semiconductor products and disclaimers thereto appears at the end of this data sheet.

Widebus+, EPIC-IIB, and UBE are trademarks of Texas Instruments Incorporated.

PRODUCTION DATA information is current as of publication date. Products conform to specifications per the terms of Texas Instruments standard warranty. Production processing does not necessarily include testing of all parameters.



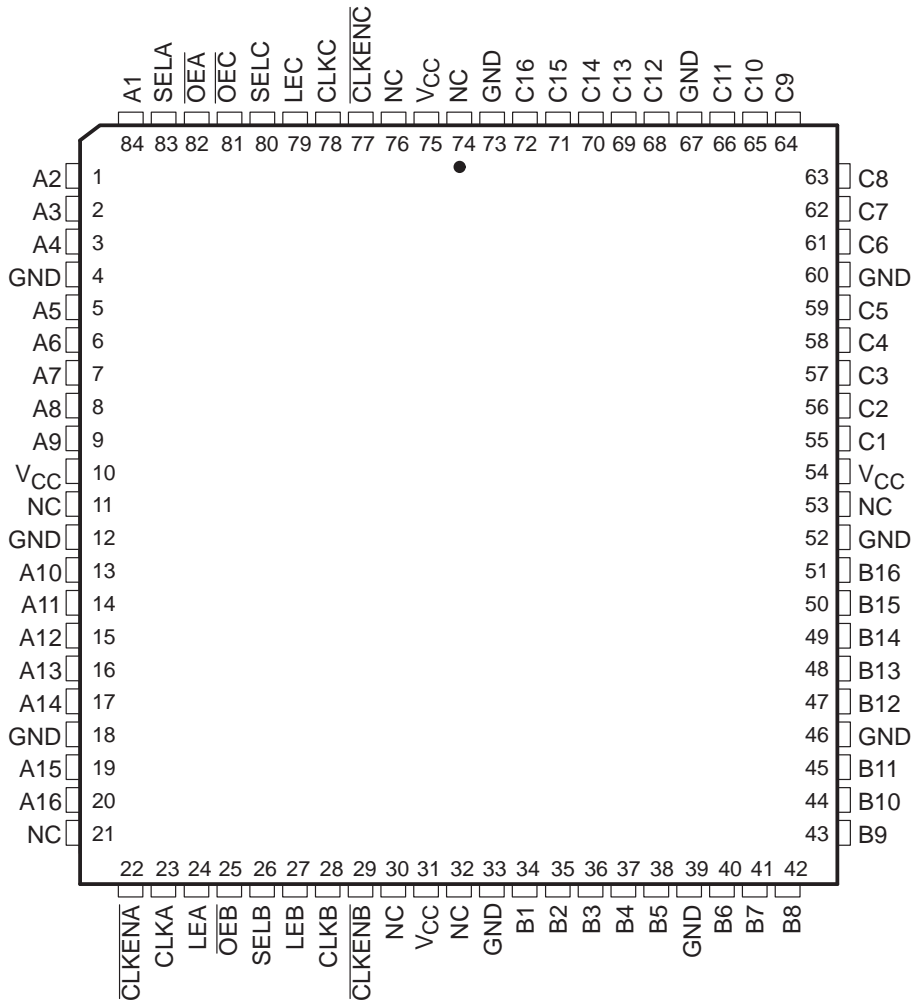
POST OFFICE BOX 655303 • DALLAS, TEXAS 75265

Copyright © 1997, Texas Instruments Incorporated

# SN54ABTH32316, SN74ABTH32316 16-BIT TRI-PORT UNIVERSAL BUS EXCHANGERS

SCBS179E – JUNE 1992 – REVISED MAY 1997

SN54ABTH32316 . . . HT PACKAGE  
(TOP VIEW)



NC – No internal connection

## description

The 'ABTH32316 consist of three 16-bit registered input/output (I/O) ports. These registers combine D-type latches and flip-flops to allow data flow in transparent, latch, and clock modes. Data from one input port can be exchanged to one or more of the other ports. Because of the universal storage element, multiple combinations of real-time and stored data can be exchanged among the three ports.

Data flow in each direction is controlled by the output-enable ( $\overline{OEA}$ ,  $\overline{OEB}$ , and  $\overline{OEC}$ ), select-control (SELA, SELB, and SELC), latch-enable (LEA, LEB, and LEC), and clock (CLKA, CLKB, and CLKC) inputs. The A data register operates in the transparent mode when LEA is high. When LEA is low, data is latched if CLKA is held at a high or low logic level. If LEA and clock-enable A ( $\overline{CLKENA}$ ) are low, data is stored on the low-to-high transition of CLKA. Output data selection is accomplished by the select-control pins. All three ports have active-low output enables, so when the output-enable input is low, the outputs are active; when the output-enable input is high, the outputs are in the high-impedance state.

When  $V_{CC}$  is between 0 and 2.1 V, the device is in the high-impedance state during power up or power down. However, to ensure the high-impedance state above 2.1 V,  $\overline{OE}$  should be tied to  $V_{CC}$  through a pullup resistor; the minimum value of the resistor is determined by the current-sinking capability of the driver.



**description (continued)**

Active bus-hold circuitry is provided to hold unused or floating data inputs at a valid logic level.

The SN54ABTH32316 is characterized for operation over the full military temperature range of  $-55^{\circ}\text{C}$  to  $125^{\circ}\text{C}$ .  
 The SN74ABTH32316 is characterized for operation from  $-40^{\circ}\text{C}$  to  $85^{\circ}\text{C}$ .

**Function Tables**

**STORAGE†**

INPUTS				OUTPUT
CLKENA	CLKA	LEA	A	
H	X	L	X	$Q_0^{\ddagger}$
L	↑	L	L	L
L	↑	L	H	H
X	H	L	X	$Q_0^{\ddagger}$
X	L	L	X	$Q_0^{\ddagger}$
X	X	H	L	L
X	X	H	H	H

† A-port register shown. B and C ports are similar but use CLKENB, CLKENC, CLKB, CLKC, LEB, and LEC.

‡ Output level before the indicated steady-state input conditions were established

**A-PORT OUTPUT**

INPUTS		OUTPUT A
$\overline{\text{OEA}}$	SELA	
H	X	Z
L	H	Output of C register
L	L	Output of B register

**B-PORT OUTPUT**

INPUTS		OUTPUT B
$\overline{\text{OEB}}$	SELB	
H	X	Z
L	H	Output of A register
L	L	Output of C register

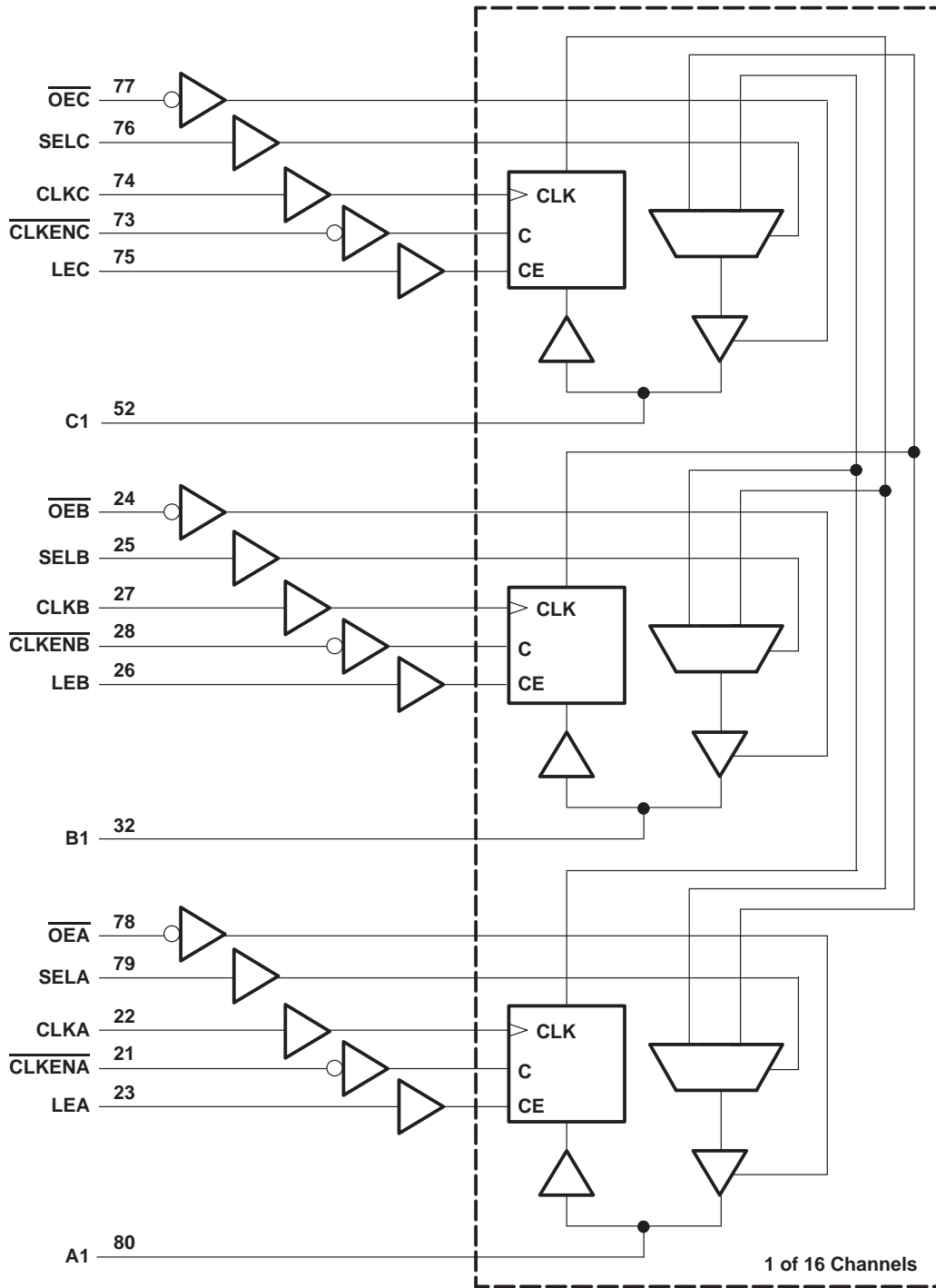
**C-PORT OUTPUT**

INPUTS		OUTPUT C
$\overline{\text{OEC}}$	SELC	
H	X	Z
L	H	Output of B register
L	L	Output of A register

# SN54ABTH32316, SN74ABTH32316 16-BIT TRI-PORT UNIVERSAL BUS EXCHANGERS

SCBS179E – JUNE 1992 – REVISED MAY 1997

## logic diagram (positive logic)



Pin numbers shown are for the PN package.

# SN54ABTH32316, SN74ABTH32316 16-BIT TRI-PORT UNIVERSAL BUS EXCHANGERS

SCBS179E – JUNE 1992 – REVISED MAY 1997

## absolute maximum ratings over operating free-air temperature range (unless otherwise noted)†

Supply voltage range, $V_{CC}$ .....	–0.5 V to 7 V
Input voltage range, $V_I$ (except I/O ports) (see Note 1) .....	–0.5 V to 7 V
Voltage range applied to any output in the high or power-off state, $V_O$ .....	–0.5 V to 5.5 V
Current into any output in the low state, $I_O$ : SN54ABTH32316 .....	96 mA
SN74ABTH32316 .....	128 mA
Input clamp current, $I_{IK}$ ( $V_I < 0$ ) .....	–18 mA
Output clamp current, $I_{OK}$ ( $V_O < 0$ ) .....	–50 mA
Package thermal impedance, $\theta_{JA}$ (see Note 2): PN package .....	62°C/W
Storage temperature range, $T_{stg}$ .....	–65°C to 150°C

† Stresses beyond those listed under “absolute maximum ratings” may cause permanent damage to the device. These are stress ratings only, and functional operation of the device at these or any other conditions beyond those indicated under “recommended operating conditions” is not implied. Exposure to absolute-maximum-rated conditions for extended periods may affect device reliability.

- NOTES: 1. The input and output negative-voltage ratings may be exceeded if the input and output clamp-current ratings are observed.  
2. The package thermal impedance is calculated in accordance with EIA/JEDEC Std JESD51.

## recommended operating conditions (see Note 3)

		SN54ABTH32316		SN74ABTH32316		UNIT
		MIN	MAX	MIN	MAX	
$V_{CC}$	Supply voltage	4.5	5.5	4.5	5.5	V
$V_{IH}$	High-level input voltage	2		2		V
$V_{IL}$	Low-level input voltage		0.8		0.8	V
$V_I$	Input voltage	0	$V_{CC}$	0	$V_{CC}$	V
$I_{OH}$	High-level output current		–24		–32	mA
$I_{OL}$	Low-level output current		48		64	mA
$\Delta t/\Delta v$	Input transition rise or fall rate	Outputs enabled			10	ns/V
$\Delta t/\Delta V_{CC}$	Power-up ramp rate	200		200		μs/V
$T_A$	Operating free-air temperature	–55	125	–40	85	°C

NOTE 3: Unused control pins must be held high or low to prevent them from floating.



# SN54ABTH32316, SN74ABTH32316 16-BIT TRI-PORT UNIVERSAL BUS EXCHANGERS

SCBS179E – JUNE 1992 – REVISED MAY 1997

**electrical characteristics over recommended operating free-air temperature range (unless otherwise noted)**

PARAMETER		TEST CONDITIONS	SN54ABTH32316			SN74ABTH32316			UNIT
			MIN	TYP†	MAX	MIN	TYP†	MAX	
$V_{IK}$		$V_{CC} = 4.5\text{ V}$ , $I_I = -18\text{ mA}$			-1.2			-1.2	V
$V_{OH}$		$V_{CC} = 4.5\text{ V}$ , $I_{OH} = -3\text{ mA}$	2.5			2.5			V
		$V_{CC} = 5\text{ V}$ , $I_{OH} = -3\text{ mA}$	3			3			
		$V_{CC} = 4.5\text{ V}$ $I_{OH} = -24\text{ mA}$ $I_{OH} = -32\text{ mA}$	2			2			
$V_{OL}$		$V_{CC} = 4.5\text{ V}$ $I_{OL} = 48\text{ mA}$ $I_{OL} = 64\text{ mA}$			0.55			0.55	V
$V_{hys}$			100			100			mV
$I_I$	Control inputs	$V_{CC} = 0\text{ to }5.5\text{ V}$ , $V_I = V_{CC}\text{ or GND}$			$\pm 1$			$\pm 1$	$\mu\text{A}$
	A, B, or C ports	$V_{CC} = 2.1\text{ V to }5.5\text{ V}$ , $V_I = V_{CC}\text{ or GND}$			$\pm 100$			$\pm 20$	
$I_I(\text{hold})$	A, B, or C ports	$V_{CC} = 4.5\text{ V}$ $V_I = 0.8\text{ V}$	100			100			$\mu\text{A}$
		$V_I = 2\text{ V}$	-100			-100			
$I_{OZPU}^\ddagger$		$V_{CC} = 0\text{ to }2.1\text{ V}$ , $V_O = 0.5\text{ V to }2.7\text{ V}$ , $\overline{OE} = X$			$\pm 50$			$\pm 50$	$\mu\text{A}$
$I_{OZPD}^\ddagger$		$V_{CC} = 2.1\text{ V to }0$ , $V_O = 0.5\text{ V to }2.7\text{ V}$ , $\overline{OE} = X$			$\pm 50$			$\pm 50$	$\mu\text{A}$
$I_{off}$		$V_{CC} = 0$ , $V_I\text{ or }V_O \leq 4.5\text{ V}$			$\pm 100$			$\pm 100$	$\mu\text{A}$
$I_{CEX}$		$V_{CC} = 5.5\text{ V}$ , $V_O = 5.5\text{ V}$ Outputs high			50			50	$\mu\text{A}$
$I_O^\S$		$V_{CC} = 5.5\text{ V}$ , $V_O = 2.5\text{ V}$	-50	-100	-180	-50	-100	-180	mA
$I_{CC}$		$V_{CC} = 5.5\text{ V}$ , $I_O = 0$ , $V_I = V_{CC}\text{ or GND}$	Outputs high		2			2	mA
			Outputs low		40			40	
			Outputs disabled		1			1	
$\Delta I_{CC}^\parallel$		$V_{CC} = 5.5\text{ V}$ , One input at 3.4 V, Other inputs at $V_{CC}\text{ or GND}$			1			0.5	mA
$C_i$	Control inputs	$V_I = 2.5\text{ V or }0.5\text{ V}$			3			3	pF
$C_{io}$	A, B, or C ports	$V_O = 2.5\text{ V or }0.5\text{ V}$			11.5			11.5	pF

† All typical values are at  $V_{CC} = 5\text{ V}$ ,  $T_A = 25^\circ\text{C}$ .

‡ This parameter is specified by characterization.

§ Not more than one output should be tested at a time, and the duration of the test should not exceed one second.

¶ This is the increase in supply current for each input that is at the specified TTL voltage level rather than  $V_{CC}$  or GND.

**timing requirements over recommended ranges of supply voltage and operating free-air temperature (unless otherwise noted) (see Figure 1)**

			SN54ABTH32316		SN74ABTH32316		UNIT
			MIN	MAX	MIN	MAX	
$f_{clock}$	Clock frequency		0	150	0	150	MHz
$t_w$	Pulse duration	LE high	3.3		3.3		ns
		CLK high or low	3.3		3.3		
$t_{su}$	Setup time	A, B, or C before CLK↑	2.6		2.4		ns
		A or B before LE↓	2.5		2.1		
		CLKEN before CLK↑	3.5		3.2		
$t_h$	Hold time	A, B, or C after CLK↑	1.8		1.4		ns
		A or B after LE↓	2.4		2.1		
		CLKEN after CLK↑	1.5		1.1		



# SN54ABTH32316, SN74ABTH32316 16-BIT TRI-PORT UNIVERSAL BUS EXCHANGERS

SCBS179E – JUNE 1992 – REVISED MAY 1997

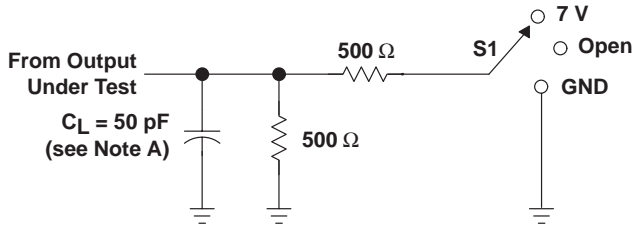
switching characteristics over recommended ranges of supply voltage and operating free-air temperature,  $C_L = 50$  pF (unless otherwise noted) (see Figure 1)

PARAMETER	FROM (INPUT)	TO (OUTPUT)	SN54ABTH32316		SN74ABTH32316		UNIT
			MIN	MAX	MIN	MAX	
$f_{max}$			150		150		MHz
$t_{PLH}$	A, B, or C	C, B, or A	0.8	6.5	1.4	6.1	ns
$t_{PHL}$			0.5	6.8	1.1	6.6	
$t_{PLH}$	SEL	A, B, or C	0.8	6.7	1.4	6.5	ns
$t_{PHL}$			0.8	6.8	1.8	6.5	
$t_{PLH}$	LE	A, B, or C	1.5	8	2.6	7.5	ns
$t_{PHL}$			1.5	7.4	2.6	6.9	
$t_{PLH}$	CLK	A, B, or C	1.5	8	2.5	7.5	ns
$t_{PHL}$			1.5	7.2	2.5	6.7	
$t_{PZH}$	$\overline{OE}$	A, B, or C	0.8	6.7	1.5	6.4	ns
$t_{PZL}$			1.5	7.1	2.4	6.8	
$t_{PHZ}$	$\overline{OE}$	A, B, or C	0.8	7.2	1.5	6	ns
$t_{PLZ}$			0.8	6.4	1.9	6.1	

# SN54ABTH32316, SN74ABTH32316 16-BIT TRI-PORT UNIVERSAL BUS EXCHANGERS

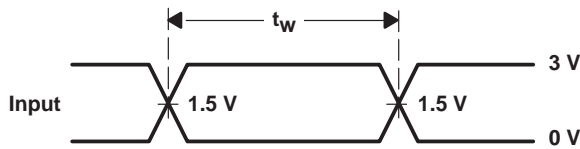
SCBS179E – JUNE 1992 – REVISED MAY 1997

## PARAMETER MEASUREMENT INFORMATION

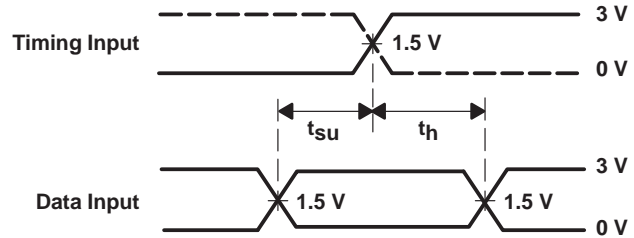


LOAD CIRCUIT

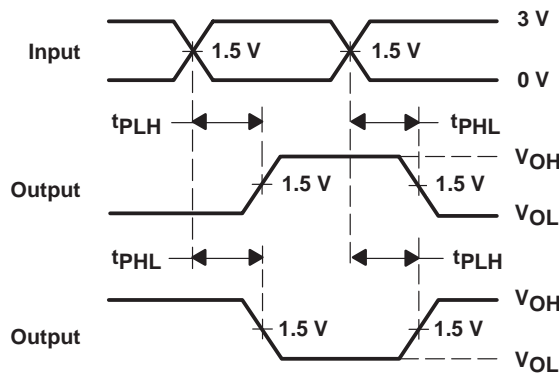
TEST	S1
$t_{PLH}/t_{PHL}$	Open
$t_{PLZ}/t_{PZL}$	7 V
$t_{PHZ}/t_{PZH}$	Open



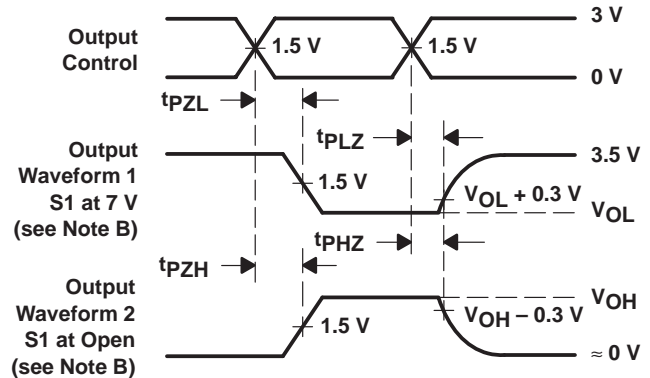
VOLTAGE WAVEFORMS  
PULSE DURATION



VOLTAGE WAVEFORMS  
SETUP AND HOLD TIMES



VOLTAGE WAVEFORMS  
PROPAGATION DELAY TIMES  
INVERTING AND NONINVERTING OUTPUTS



VOLTAGE WAVEFORMS  
ENABLE AND DISABLE TIMES  
LOW- AND HIGH-LEVEL ENABLING

- NOTES: A.  $C_L$  includes probe and jig capacitance.  
 B. Waveform 1 is for an output with internal conditions such that the output is low except when disabled by the output control. Waveform 2 is for an output with internal conditions such that the output is high except when disabled by the output control.  
 C. All input pulses are supplied by generators having the following characteristics:  $PRR \leq 10 \text{ MHz}$ ,  $Z_O = 50 \Omega$ ,  $t_r \leq 2.5 \text{ ns}$ ,  $t_f \leq 2.5 \text{ ns}$ .  
 D. The outputs are measured one at a time with one transition per measurement.

Figure 1. Load Circuit and Voltage Waveforms



**PACKAGING INFORMATION**

Orderable part number	Status (1)	Material type (2)	Package   Pins	Package qty   Carrier	RoHS (3)	Lead finish/ Ball material (4)	MSL rating/ Peak reflow (5)	Op temp (°C)	Part marking (6)
<a href="#">5962-9680801QXA</a>	Active	Production	CFP (HT)   84	250   TUBE	No	SNPB	N/A for Pkg Type	-55 to 125	5962-9680801QX A SNJ54ABTH32316 HT
<a href="#">SN74ABTH32316PN</a>	Active	Production	LQFP (PN)   80	119   JEDEC TRAY (10+1)	Yes	NIPDAU	Level-3-260C-168 HR	-40 to 85	ABTH32316
SN74ABTH32316PN.B	Active	Production	LQFP (PN)   80	119   JEDEC TRAY (10+1)	Yes	NIPDAU	Level-3-260C-168 HR	-40 to 85	ABTH32316
SNJ54ABTH32316HT	Active	Production	CFP (HT)   84	250   TUBE	No	SNPB	N/A for Pkg Type	-55 to 125	5962-9680801QX A SNJ54ABTH32316 HT

(1) **Status:** For more details on status, see our [product life cycle](#).

(2) **Material type:** When designated, preproduction parts are prototypes/experimental devices, and are not yet approved or released for full production. Testing and final process, including without limitation quality assurance, reliability performance testing, and/or process qualification, may not yet be complete, and this item is subject to further changes or possible discontinuation. If available for ordering, purchases will be subject to an additional waiver at checkout, and are intended for early internal evaluation purposes only. These items are sold without warranties of any kind.

(3) **RoHS values:** Yes, No, RoHS Exempt. See the [TI RoHS Statement](#) for additional information and value definition.

(4) **Lead finish/Ball material:** Parts may have multiple material finish options. Finish options are separated by a vertical ruled line. Lead finish/Ball material values may wrap to two lines if the finish value exceeds the maximum column width.

(5) **MSL rating/Peak reflow:** The moisture sensitivity level ratings and peak solder (reflow) temperatures. In the event that a part has multiple moisture sensitivity ratings, only the lowest level per JEDEC standards is shown. Refer to the shipping label for the actual reflow temperature that will be used to mount the part to the printed circuit board.

(6) **Part marking:** There may be an additional marking, which relates to the logo, the lot trace code information, or the environmental category of the part.

Multiple part markings will be inside parentheses. Only one part marking contained in parentheses and separated by a "~" will appear on a part. If a line is indented then it is a continuation of the previous line and the two combined represent the entire part marking for that device.

**Important Information and Disclaimer:** The information provided on this page represents TI's knowledge and belief as of the date that it is provided. TI bases its knowledge and belief on information provided by third parties, and makes no representation or warranty as to the accuracy of such information. Efforts are underway to better integrate information from third parties. TI has taken and continues to take reasonable steps to provide representative

and accurate information but may not have conducted destructive testing or chemical analysis on incoming materials and chemicals. TI and TI suppliers consider certain information to be proprietary, and thus CAS numbers and other limited information may not be available for release.

In no event shall TI's liability arising out of such information exceed the total purchase price of the TI part(s) at issue in this document sold by TI to Customer on an annual basis.

**OTHER QUALIFIED VERSIONS OF SN54ABTH32316, SN74ABTH32316 :**

- Catalog : [SN74ABTH32316](#)
- Military : [SN54ABTH32316](#)

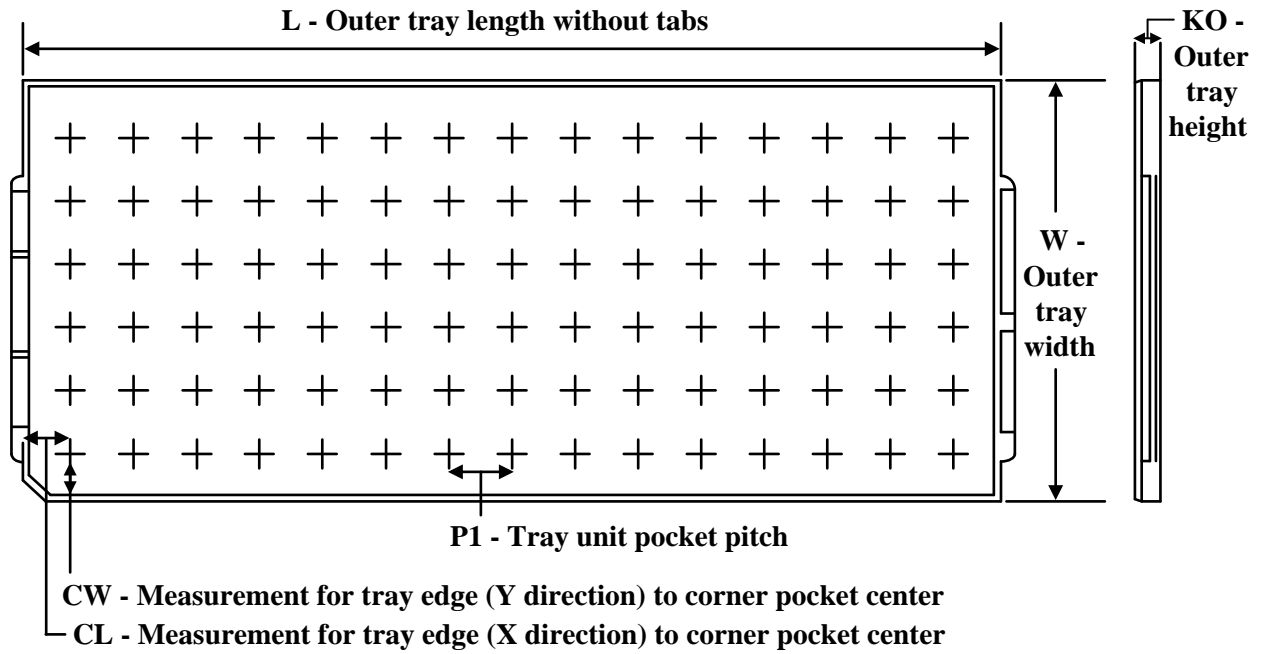
NOTE: Qualified Version Definitions:

- Catalog - TI's standard catalog product
- Military - QML certified for Military and Defense Applications

**TUBE**


\*All dimensions are nominal

Device	Package Name	Package Type	Pins	SPQ	L (mm)	W (mm)	T (μm)	B (mm)
5962-9680801QXA	HT	CFP	84	250	506.98	17.91	12570	5.46
SNJ54ABTH32316HT	HT	CFP	84	250	506.98	17.91	12570	5.46

**TRAY**


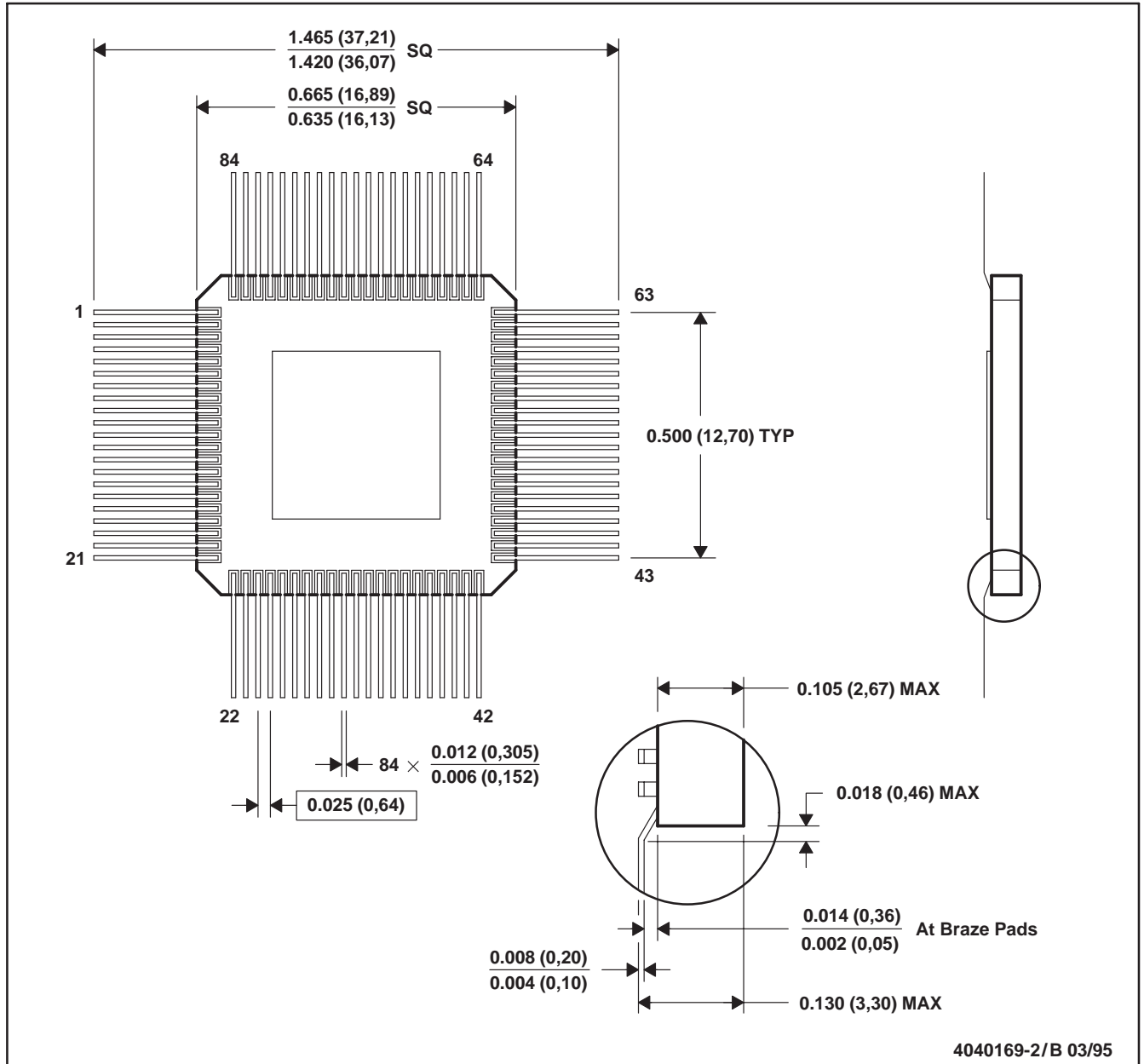
Chamfer on Tray corner indicates Pin 1 orientation of packed units.

\*All dimensions are nominal

Device	Package Name	Package Type	Pins	SPQ	Unit array matrix	Max temperature (°C)	L (mm)	W (mm)	K0 (µm)	P1 (mm)	CL (mm)	CW (mm)
SN74ABTH32316PN	PN	LQFP	80	119	7 x 17	150	315	135.9	7620	17.9	14.3	13.95
SN74ABTH32316PN.B	PN	LQFP	80	119	7 x 17	150	315	135.9	7620	17.9	14.3	13.95

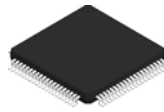
HT (S-CQFP-F84)

CERAMIC QUAD FLATPACK



- NOTES:
- A. All linear dimensions are in inches (millimeters).
  - B. This drawing is subject to change without notice.
  - C. This package is hermetically sealed with a metal lid.
  - D. The terminals are gold plated.
  - E. Falls within JEDEC MO-090 AA

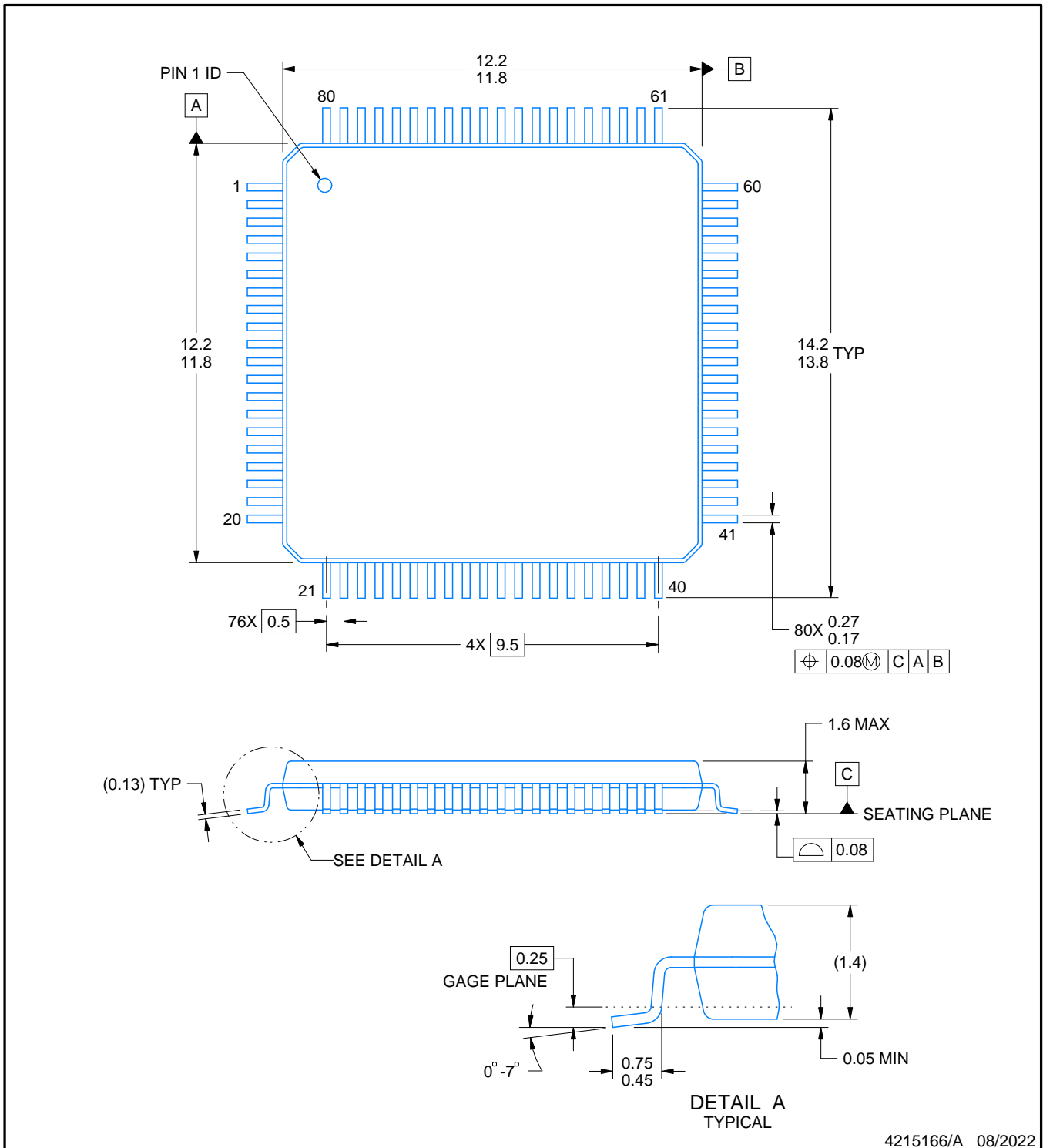
PN0080A



# PACKAGE OUTLINE

LQFP - 1.6 mm max height

PLASTIC QUAD FLATPACK



4215166/A 08/2022

NOTES:

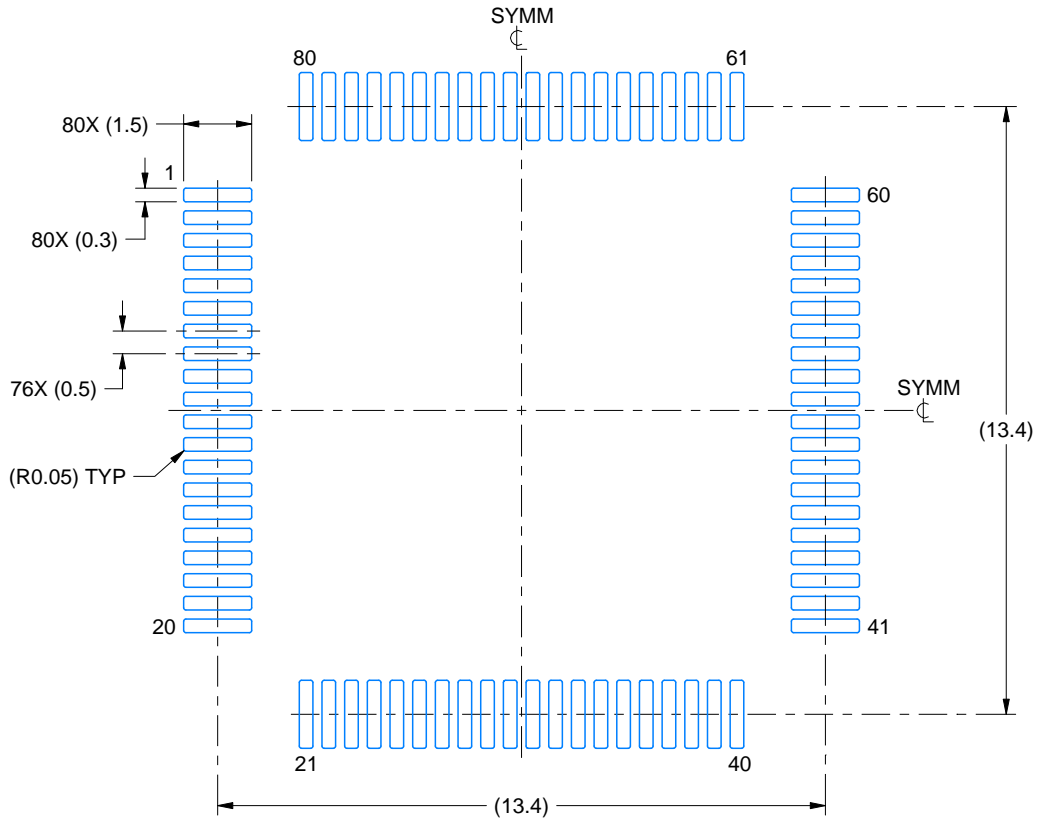
1. All linear dimensions are in millimeters. Any dimensions in parenthesis are for reference only. Dimensioning and tolerancing per ASME Y14.5M.
2. This drawing is subject to change without notice.
3. Reference JEDEC registration MS-026.

# EXAMPLE BOARD LAYOUT

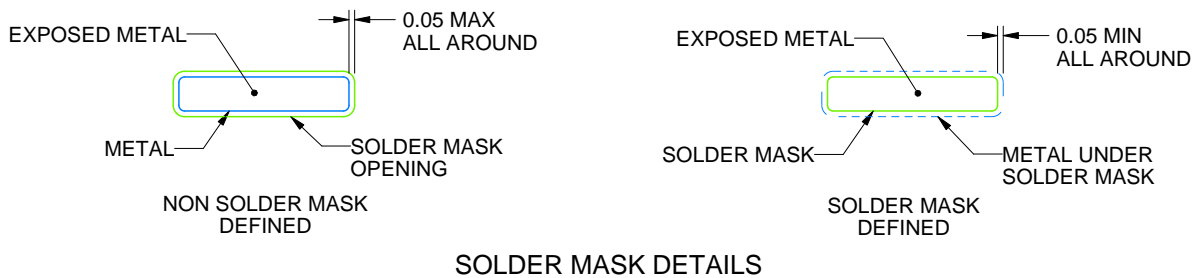
PN0080A

LQFP - 1.6 mm max height

PLASTIC QUAD FLATPACK



LAND PATTERN EXAMPLE  
EXPOSED METAL SHOWN  
SCALE:6X



SOLDER MASK DETAILS

4215166/A 08/2022

NOTES: (continued)

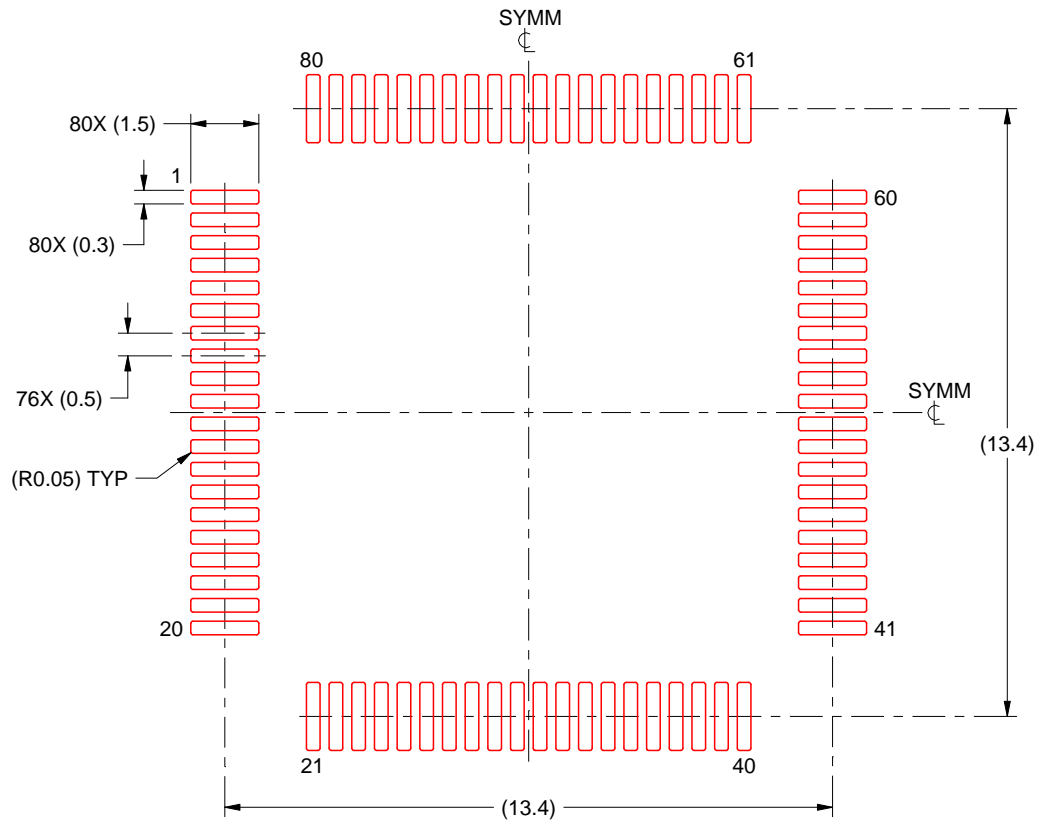
4. Publication IPC-7351 may have alternate designs.
5. Solder mask tolerances between and around signal pads can vary based on board fabrication site.
6. For more information, see Texas Instruments literature number SLMA004 ([www.ti.com/lit/slma004](http://www.ti.com/lit/slma004)).

# EXAMPLE STENCIL DESIGN

PN0080A

LQFP - 1.6 mm max height

PLASTIC QUAD FLATPACK



SOLDER PASTE EXAMPLE  
BASED ON 0.1 mm THICK STENCIL  
SCALE:6X

4215166/A 08/2022

NOTES: (continued)

7. Laser cutting apertures with trapezoidal walls and rounded corners may offer better paste release. IPC-7525 may have alternate design recommendations.
8. Board assembly site may have different recommendations for stencil design.



## IMPORTANT NOTICE AND DISCLAIMER

TI PROVIDES TECHNICAL AND RELIABILITY DATA (INCLUDING DATASHEETS), DESIGN RESOURCES (INCLUDING REFERENCE DESIGNS), APPLICATION OR OTHER DESIGN ADVICE, WEB TOOLS, SAFETY INFORMATION, AND OTHER RESOURCES "AS IS" AND WITH ALL FAULTS, AND DISCLAIMS ALL WARRANTIES, EXPRESS AND IMPLIED, INCLUDING WITHOUT LIMITATION ANY IMPLIED WARRANTIES OF MERCHANTABILITY, FITNESS FOR A PARTICULAR PURPOSE OR NON-INFRINGEMENT OF THIRD PARTY INTELLECTUAL PROPERTY RIGHTS.

These resources are intended for skilled developers designing with TI products. You are solely responsible for (1) selecting the appropriate TI products for your application, (2) designing, validating and testing your application, and (3) ensuring your application meets applicable standards, and any other safety, security, regulatory or other requirements.

These resources are subject to change without notice. TI grants you permission to use these resources only for development of an application that uses the TI products described in the resource. Other reproduction and display of these resources is prohibited. No license is granted to any other TI intellectual property right or to any third party intellectual property right. TI disclaims responsibility for, and you fully indemnify TI and its representatives against any claims, damages, costs, losses, and liabilities arising out of your use of these resources.

TI's products are provided subject to [TI's Terms of Sale](#), [TI's General Quality Guidelines](#), or other applicable terms available either on [ti.com](#) or provided in conjunction with such TI products. TI's provision of these resources does not expand or otherwise alter TI's applicable warranties or warranty disclaimers for TI products. Unless TI explicitly designates a product as custom or customer-specified, TI products are standard, catalog, general purpose devices.

TI objects to and rejects any additional or different terms you may propose.

Copyright © 2025, Texas Instruments Incorporated

Last updated 10/2025