

## SNx4AHC374 具有三态输出的八路边沿触发式 D 型触发器

### 1 特性

- 工作范围为 2V 至 5.5V  $V_{CC}$
- 三态输出直接驱动总线
- 闩锁性能超过 250mA，符合 JESD 17 规范
- 对于符合 MIL-PRF-38535 标准的产品，所有参数均经过测试，除非另有说明。对于所有其他产品，生产流程不一定包含对所有参数的测试。
- ESD 保护性能超过 JESD 22 规范要求
  - 2000V 人体放电模型
  - 200V 机器放电模型
  - 1500V 充电器件模型

### 2 应用

- 打印机
- 网络交换机
- 测试和测量
- 无线基础设施
- 电机控制
- 服务器主板

### 3 说明

SNx4AHC374 器件是八路边沿触发式 D 类触发器，具有专门设计用于驱动高容性或较低阻抗负载的三态输出。这些器件特别适用于实现缓冲寄存器、I/O 端口、双向总线驱动器和工作寄存器。

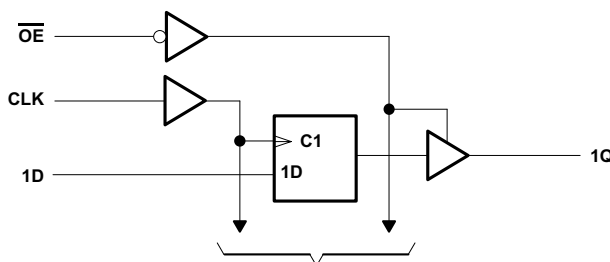
#### 器件信息

| 器件型号       | 封装 <sup>(1)</sup>  | 封装尺寸 <sup>(2)</sup> | 本体尺寸 <sup>(3)</sup> |
|------------|--------------------|---------------------|---------------------|
| SNx4AHC374 | DB ( SSOP , 20 )   | 7.2mm × 7.8mm       | 7.2mm × 5.30mm      |
|            | DGV ( TVSOP , 20 ) | 5.00mm × 6.4mm      | 5.00mm × 4.40mm     |
|            | DW ( SOIC , 20 )   | 12.80mm × 10.3mm    | 12.8mm × 7.5mm      |
|            | N ( PDIP , 20 )    | 24.33mm × 9.4mm     | 24.33mm × 6.35mm    |
|            | PW ( TSSOP , 20 )  | 6.50mm × 6.4mm      | 6.50mm × 4.40mm     |
|            | J ( CDIP , 20 )    | 24.2mm × 7.62mm     | 24.2mm × 6.92mm     |
|            | W ( CFP , 20 )     | 13.09mm × 8.13mm    | 13.09mm × 6.92mm    |
|            | FK ( LCCC , 20 )   | 8.89mm × 8.89mm     | 8.89mm × 8.89mm     |

(1) 有关更多信息，请参阅节 11。

(2) 封装尺寸 (长 × 宽) 为标称值，并包括引脚 (如适用)。

(3) 本体尺寸 (长 × 宽) 为标称值，不包括引脚。



To Seven Other Channels  
简化原理图



## Table of Contents

|   |    |  |    |
|---|----|--|----|
| <b>1 特性</b> .....   | 1  | 7.1 Overview.....  | 10 |
| <b>2 应用</b> .....   | 1  | 7.2 Functional Block Diagram.....                                | 10 |
| <b>3 说明</b> .....   | 1  | 7.3 Feature Description.....                                     | 10 |
| <b>4 Pin Configuration and Functions</b> .....                                | 3  | 7.4 Device Functional Modes.....                                 | 10 |
| <b>5 Specifications</b> .....   | 4  | <b>8 Application and Implementation</b> .....                    | 11 |
| 5.1 Absolute Maximum Ratings.....   | 4  | 8.1 Application Information.....                                 | 11 |
| 5.2 ESD Ratings.....  | 4  | 8.2 Typical Application.....                                     | 11 |
| 5.3 Recommended Operating Conditions.....                                     | 4  | 8.3 Power Supply Recommendations.....                            | 12 |
| 5.4 Thermal Information.....  | 5  | 8.4 Layout.....  | 12 |
| 5.5 Electrical Characteristics.....   | 5  | <b>9 Device and Documentation Support</b> .....                  | 13 |
| 5.6 Timing Requirements, $V_{CC} = 3.3\text{ V} \pm 0.3\text{ V}$ .....       | 6  | 9.1 Documentation Support.....                                   | 13 |
| 5.7 Timing Requirements, $V_{CC} = 5\text{ V} \pm 0.5\text{ V}$ .....         | 6  | 9.2 接收文档更新通知.....  | 13 |
| 5.8 Switching Characteristics, $V_{CC} = 3.3\text{ V} \pm 0.3\text{ V}$ ..... | 6  | 9.3 支持资源.....  | 13 |
| 5.9 Switching Characteristics, $V_{CC} = 5\text{ V} \pm 0.5\text{ V}$ .....   | 7  | 9.4 Trademarks.....  | 13 |
| 5.10 Noise Characteristics.....   | 7  | 9.5 静电放电警告.....  | 13 |
| 5.11 Operating Characteristics.....   | 7  | 9.6 术语表.....   | 13 |
| 5.12 Typical Characteristics.....   | 8  | <b>10 Revision History</b> .....                                 | 13 |
| <b>6 Parameter Measurement Information</b> .....                              | 9  | <b>11 Mechanical, Packaging, and Orderable Information</b> ..... | 14 |
| <b>7 Detailed Description</b> .....   | 10 |  |    |

## 4 Pin Configuration and Functions

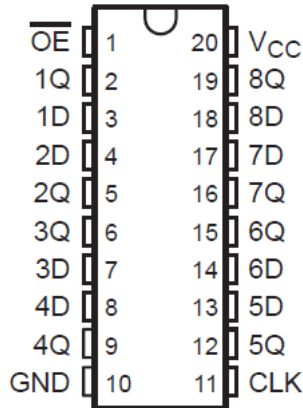


图 4-1. SN54AHC374 J or W Package; SN74AHC374 DB, DGV, DW, N, or PW ; 20-Pin CDIP, CFP, SSOP, TVSOP, SOIC, PDIP, or TSSOP

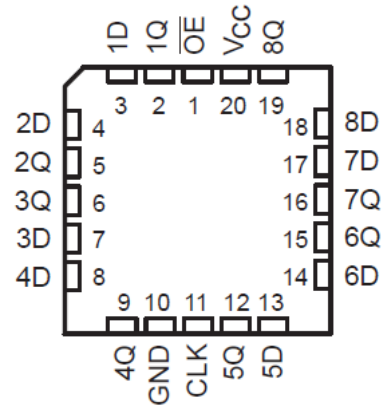


图 4-2. SN54AHC374 FK Package, 20-Pin LCCC

表 4-1. Pin Functions

| NO. | PIN |                 | TYPE | DESCRIPTION   |
|-----|-----|-----------------|------|---------------|
|     |     | NAME            |      |               |
| 1   |     | OE              | I    | Output Enable |
| 2   |     | 1Q              | O    | 1Q Output     |
| 3   |     | 1D              | I    | 1D Input      |
| 4   |     | 2D              | I    | 2D Input      |
| 5   |     | 2Q              | O    | 2Q Output     |
| 6   |     | 3Q              | O    | 3Q Output     |
| 7   |     | 3D              | I    | 3D Input      |
| 8   |     | 4D              | I    | 4D Input      |
| 9   |     | 4Q              | O    | 4Q Output     |
| 10  |     | GND             | —    | Ground        |
| 11  |     | CLK             | I    | Clock Pin     |
| 12  |     | 5Q              | O    | 5Q Output     |
| 13  |     | 5D              | I    | 5D Input      |
| 14  |     | 6D              | I    | 6D Input      |
| 15  |     | 6Q              | O    | 6Q Output     |
| 16  |     | 7Q              | O    | 7Q Output     |
| 17  |     | 7D              | I    | 7D Input      |
| 18  |     | 8D              | I    | 8D Input      |
| 19  |     | 8Q              | O    | 8Q Output     |
| 20  |     | V <sub>CC</sub> | —    | Power Pin     |

## 5 Specifications

### 5.1 Absolute Maximum Ratings

over operating free-air temperature range (unless otherwise noted)<sup>(1)</sup>

|   |                                     | MIN  | MAX                   | UNIT |
|---|-------------------------------------|--|-----------------------|------|
| V <sub>CC</sub>                                   | Supply voltage range                | - 0.5  | 7                     | V    |
| V <sub>I</sub>                                    | Input voltage range <sup>(2)</sup>  | - 0.5  | 7                     | V    |
| V <sub>O</sub>                                    | Output voltage range <sup>(2)</sup> | - 0.5  | V <sub>CC</sub> + 0.5 | V    |
| I <sub>IK</sub>                                   | Input clamp current                 | V <sub>I</sub> < 0                                     | - 20                  | mA   |
| I <sub>OK</sub>                                   | Output clamp current                | V <sub>O</sub> < 0 or V <sub>O</sub> > V <sub>CC</sub> | ±20                   | mA   |
| I <sub>O</sub>                                    | Continuous output current           | V <sub>O</sub> = 0 to V <sub>CC</sub>                  | ±25                   | mA   |
| Continuous current through V <sub>CC</sub> or GND |                                     |  | ±75                   | mA   |
| T <sub>stg</sub>                                  | Storage temperature range           | - 65   | 150                   | °C   |

- (1) Stresses beyond those listed under *Absolute Maximum Ratings* may cause permanent damage to the device. These are stress ratings only, and functional operation of the device at these or any other conditions beyond those indicated under [§ 5.3](#) is not implied. Exposure to absolute-maximum-rated conditions for extended periods may affect device reliability.
- (2) The input and output voltage ratings may be exceeded if the input and output current ratings are observed.

### 5.2 ESD Ratings

|                    |                         | VALUE  | UNIT |
|--------------------|-------------------------|--|------|
| V <sub>(ESD)</sub> | Electrostatic discharge | Human body model (HBM), per ANSI/ESDA/JEDEC JS-001, all pins <sup>(1)</sup>              | 2000 |
|                    |                         | Charged device model (CDM), per JEDEC specification JESD22-C101, all pins <sup>(2)</sup> | 1500 |
|                    |                         | Machine Model (MM)   | 200  |

- (1) JEDEC document JEP155 states that 500-V HBM allows safe manufacturing with a standard ESD control process.
- (2) JEDEC document JEP157 states that 250-V CDM allows safe manufacturing with a standard ESD control process.

### 5.3 Recommended Operating Conditions

over operating free-air temperature range (unless otherwise noted)<sup>(1)</sup>

|                 |                                    | SN54AHC374                      |                 | SN74AHC374 |                 | UNIT |
|-----------------|------------------------------------|---------------------------------|-----------------|------------|-----------------|------|
|                 |                                    | MIN                             | MAX             | MIN        | MAX             |      |
| V <sub>CC</sub> | Supply voltage                     | 2                               | 5.5             | 2          | 5.5             | V    |
| V <sub>IH</sub> | High-level input voltage           | V <sub>CC</sub> = 2 V           | 1.5             | 1.5        |                 | V    |
|                 |                                    | V <sub>CC</sub> = 3 V           | 2.1             | 2.1        |                 |      |
|                 |                                    | V <sub>CC</sub> = 5.5 V         | 3.85            | 3.85       |                 |      |
| V <sub>IL</sub> | Low-level input voltage            | V <sub>CC</sub> = 2 V           |                 | 0.5        | 0.5             | V    |
|                 |                                    | V <sub>CC</sub> = 3 V           |                 | 0.9        | 0.9             |      |
|                 |                                    | V <sub>CC</sub> = 5.5 V         |                 | 1.65       | 1.65            |      |
| V <sub>I</sub>  | Input voltage                      | 0                               | 5.5             | 0          | 5.5             | V    |
| V <sub>O</sub>  | Output voltage                     | 0                               | V <sub>CC</sub> | 0          | V <sub>CC</sub> | V    |
| I <sub>OH</sub> | High-level output current          | V <sub>CC</sub> = 2 V           |                 | - 50       | - 50            | μA   |
|                 |                                    | V <sub>CC</sub> = 3.3 V ± 0.3 V |                 | - 4        | - 4             |      |
|                 |                                    | V <sub>CC</sub> = 5 V ± 5.5 V   |                 | - 8        | - 8             |      |
| I <sub>OL</sub> | Low-level output current           | V <sub>CC</sub> = 2 V           |                 | 50         | 50              | μA   |
|                 |                                    | V <sub>CC</sub> = 3.3 V ± 0.3 V |                 | 4          | 4               |      |
|                 |                                    | V <sub>CC</sub> = 5 V ± 5.5 V   |                 | 8          | 8               |      |
| Δt/Δv           | Input transition rise or fall rate | V <sub>CC</sub> = 3.3 V ± 0.3 V |                 | 100        | 100             | ns/V |
|                 |                                    | V <sub>CC</sub> = 5 V ± 5.5 V   |                 | 20         | 20              |      |

### 5.3 Recommended Operating Conditions (续)

over operating free-air temperature range (unless otherwise noted)<sup>(1)</sup>

|                |                                | SN54AHC374 |     | SN74AHC374 |     | UNIT |
|----------------|--------------------------------|------------|-----|------------|-----|------|
|                |                                | MIN        | MAX | MIN        | MAX |      |
| T <sub>A</sub> | Operating free-air temperature | - 55       | 125 | - 40       | 125 | °C   |

(1) All unused inputs of the device must be held at V<sub>CC</sub> or GND to ensure proper device operation. Refer to the TI application report, *Implications of Slow or Floating CMOS Inputs (SCBA004)*.

### 5.4 Thermal Information

| THERMAL METRIC <sup>(1)</sup> |  | SN74AHC374 |       |      |      |      |       | UNIT |
|-------------------------------|--|------------|-------|------|------|------|-------|------|
|                               |  | DB         | DGV   | DW   | N    | NS   | PW    |      |
|                               |  | 20 PINS    |       |      |      |      |       |      |
| R <sub>θJA</sub>              | Junction-to-ambient thermal resistance       | 97.9       | 117.2 | 79.4 | 53.3 | 79.2 | 116.8 | °C/W |
| R <sub>θJC(top)</sub>         | Junction-to-case (top) thermal resistance    | 59.6       | 32.7  | 45.7 | 40.0 | 45.7 | 58.5  |      |
| R <sub>θJB</sub>              | Junction-to-board thermal resistance         | 53.1       | 58.7  | 46.9 | 34.2 | 46.8 | 78.7  |      |
| ψ <sub>JT</sub>               | Junction-to-top characterization parameter   | 21.3       | 1.15  | 18.7 | 26.4 | 19.3 | 12.6  |      |
| ψ <sub>JB</sub>               | Junction-to-board characterization parameter | 52.7       | 58.0  | 46.5 | 34.1 | 46.4 | 77.9  |      |
| R <sub>θJC(bot)</sub>         | Junction-to-case (bottom) thermal resistance | N/A        | N/A   | N/A  | N/A  | N/A  | N/A   |      |

(1) For more information about traditional and new thermal metrics, see the *IC Package Thermal Metrics* application report (SPRA953).

### 5.5 Electrical Characteristics

over recommended operating free-air temperature range (unless otherwise noted)

| PARAMETER       | TEST CONDITIONS  | V <sub>CC</sub> | T <sub>A</sub> = 25°C |       |                   | SN54AHC374     |      | SN74AHC374     |      |                 | UNIT |     |
|-----------------|--|-----------------|-----------------------|-------|-------------------|----------------|------|----------------|------|-----------------|------|-----|
|                 |  |                 |                       |       |                   | - 40°C to 85°C |      | - 40°C to 85°C |      | - 40°C to 125°C |      |     |
|                 |  |                 | MIN                   | TYP   | MAX               | MIN            | MAX  | MIN            | MAX  | MIN             |      | MAX |
| V <sub>OH</sub> | I <sub>OH</sub> = -50 μA   | 2 V             | 1.9                   | 2     | 1.9               | 1.9            | 1.9  | 1.9            | 1.9  | V               |      |     |
|                 |  | 3 V             | 2.9                   | 3     | 2.9               | 2.9            | 2.9  | 2.9            | 2.9  |                 |      |     |
|                 |  | 4.5 V           | 4.4                   | 4.5   | 4.4               | 4.4            | 4.4  | 4.4            | 4.4  |                 |      |     |
|                 | I <sub>OH</sub> = -4 mA  | 3 V             | 2.58                  |       | 2.48              | 2.48           | 2.48 | 2.48           | 2.48 |                 |      |     |
|                 | I <sub>OH</sub> = -8 mA  | 4.5 V           | 3.94                  |       | 3.8               | 3.8            | 3.8  | 3.8            | 3.8  |                 |      |     |
| V <sub>OL</sub> | I <sub>OL</sub> = 50 μA  | 2 V             |                       | 0.1   | 0.1               | 0.1            | 0.1  | 0.1            | 0.1  | V               |      |     |
|                 |  | 3 V             |                       | 0.1   | 0.1               | 0.1            | 0.1  | 0.1            | 0.1  |                 |      |     |
|                 |  | 4.5 V           |                       | 0.1   | 0.1               | 0.1            | 0.1  | 0.1            | 0.1  |                 |      |     |
|                 | I <sub>OL</sub> = 4 mA   | 3 V             |                       | 0.36  | 0.5               | 0.44           | 0.44 | 0.44           | 0.44 |                 |      |     |
|                 | I <sub>OL</sub> = 8 mA   | 4.5 V           |                       | 0.36  | 0.5               | 0.44           | 0.44 | 0.44           | 0.44 |                 |      |     |
| I <sub>I</sub>  | V <sub>I</sub> = 5.5 V or GND  | 0 V to 5.5 V    |                       | ±0.1  | ±1 <sup>(1)</sup> | ±1             | ±1   | ±1             | ±1   | μA              |      |     |
| I <sub>OZ</sub> | V <sub>I</sub> = V <sub>IH</sub> or V <sub>IL</sub><br>V <sub>O</sub> = V <sub>CC</sub> or GND | 5.5 V           |                       | ±0.25 | ±2.5              | ±2.5           | ±2.5 | ±2.5           | ±2.5 | μA              |      |     |
| I <sub>CC</sub> | V <sub>I</sub> = V <sub>CC</sub> or GND, I <sub>O</sub> = 0                                    | 5.5 V           |                       | 4     | 40                | 40             | 40   | 40             | 40   | μA              |      |     |
| C <sub>i</sub>  | V <sub>I</sub> = V <sub>CC</sub> or GND  | 5 V             |                       | 4     | 10                |                | 10   | 10             | 10   | pF              |      |     |
| C <sub>o</sub>  | V <sub>O</sub> = V <sub>CC</sub> or GND  | 5 V             |                       | 6     |                   |                |      |                |      | pF              |      |     |

(1) On products compliant to MIL-PRF-38535, this parameter is not production tested at V<sub>CC</sub> = 0 V.

### 5.6 Timing Requirements, $V_{CC} = 3.3\text{ V} \pm 0.3\text{ V}$

over recommended operating free-air temperature range (unless otherwise noted) (see [Load Circuit and Voltage Waveforms](#))

| PARAMETER                                       | $T_A = 25^\circ\text{C}$ |     | SN54AHC374     |     |                |     | SN74AHC374      |     |    |  | UNIT |
|---|--------------------------|-----|----------------|-----|----------------|-----|-----------------|-----|----|--|------|
|   |                          |     | - 40°C to 85°C |     | - 40°C to 85°C |     | - 40°C to 125°C |     |    |  |      |
|   | MIN                      | MAX | MIN            | MAX | MIN            | MAX | MIN             | MAX |    |  |      |
| $t_w$ Pulse duration, CLK high or low           | 5                        |     | 5.5            |     | 5.5            |     | 6.5             |     | ns |  |      |
| $t_{su}$ Setup time, data before CLK $\uparrow$ | 4.5                      |     | 4              |     | 4              |     | 4.5             |     | ns |  |      |
| $t_h$ Hold time, data after CLK $\uparrow$      | 2                        |     | 2              |     | 2              |     | 2.5             |     | ns |  |      |

### 5.7 Timing Requirements, $V_{CC} = 5\text{ V} \pm 0.5\text{ V}$

over recommended operating free-air temperature range (unless otherwise noted) (see [Load Circuit and Voltage Waveforms](#))

| PARAMETER                                       | $T_A = 25^\circ\text{C}$ |     | SN54AHC374     |     |                |     | SN74AHC374      |     |    |  | UNIT |
|---|--------------------------|-----|----------------|-----|----------------|-----|-----------------|-----|----|--|------|
|   |                          |     | - 40°C to 85°C |     | - 40°C to 85°C |     | - 40°C to 125°C |     |    |  |      |
|   | MIN                      | MAX | MIN            | MAX | MIN            | MAX | MIN             | MAX |    |  |      |
| $t_w$ Pulse duration, CLK high or low           | 5                        |     | 5              |     | 5              |     | 5.5             |     | ns |  |      |
| $t_{su}$ Setup time, data before CLK $\uparrow$ | 3                        |     | 3              |     | 3              |     | 3               |     | ns |  |      |
| $t_h$ Hold time, data after CLK $\uparrow$      | 2                        |     | 2              |     | 2              |     | 2               |     | ns |  |      |

### 5.8 Switching Characteristics, $V_{CC} = 3.3\text{ V} \pm 0.3\text{ V}$

over recommended operating free-air temperature range (unless otherwise noted) (see [Load Circuit and Voltage Waveforms](#))

| PARAMETER   | FROM (INPUT)    | TO (OUTPUT) | LOAD CAPACITANCE     | $T_A = 25^\circ\text{C}$ |                     |                    | SN54AHC374        |                     | SN74AHC374     |      |                 | UNIT |     |
|-------------|-----------------|-------------|----------------------|--------------------------|---------------------|--------------------|-------------------|---------------------|----------------|------|-----------------|------|-----|
|             |                 |             |                      |                          |                     |                    | - 40°C to 85°C    |                     | - 40°C to 85°C |      | - 40°C to 125°C |      |     |
|             |                 |             |                      | MIN                      | TYP                 | MAX                | MIN               | MAX                 | MIN            | MAX  | MIN             |      | MAX |
| $f_{MAX}$   |                 |             | $C_L = 15\text{ pF}$ | 80 <sup>(1)</sup>        | 130 <sup>(1)</sup>  |                    | 70 <sup>(1)</sup> |                     | 70             |      | MHz             |      |     |
|             |                 |             | $C_L = 50\text{ pF}$ | 55                       | 85                  |                    | 50                |                     | 50             |      |                 |      |     |
| $t_{PLH}$   | CLK             | Q           | $C_L = 15\text{ pF}$ | 8.1 <sup>(1)</sup>       | 12.7 <sup>(1)</sup> |                    | 1 <sup>(1)</sup>  | 15 <sup>(1)</sup>   | 1              | 15   | 1               | 16.5 | ns  |
| $t_{PHL}$   |                 |             |                      | 8.1 <sup>(1)</sup>       | 12.7 <sup>(1)</sup> |                    | 1 <sup>(1)</sup>  | 15 <sup>(1)</sup>   | 1              | 15   | 1               | 16.5 |     |
| $t_{PZH}$   | $\overline{OE}$ | Q           | $C_L = 15\text{ pF}$ | 7.1 <sup>(1)</sup>       | 11 <sup>(1)</sup>   |                    | 1 <sup>(1)</sup>  | 13 <sup>(1)</sup>   | 1              | 13   | 1               | 14   | ns  |
| $t_{PZL}$   |                 |             |                      | 7.1 <sup>(1)</sup>       | 11 <sup>(1)</sup>   |                    | 1 <sup>(1)</sup>  | 13 <sup>(1)</sup>   | 1              | 13   | 1               | 14   |     |
| $t_{PHZ}$   | $\overline{OE}$ | Q           | $C_L = 15\text{ pF}$ | 7.5 <sup>(1)</sup>       | 10.5 <sup>(1)</sup> |                    | 1 <sup>(1)</sup>  | 12.5 <sup>(1)</sup> | 1              | 12.5 | 1               | 13.5 | ns  |
| $t_{PLZ}$   |                 |             |                      | 7.5 <sup>(1)</sup>       | 10.5 <sup>(1)</sup> |                    | 1 <sup>(1)</sup>  | 12.5 <sup>(1)</sup> | 1              | 12.5 | 1               | 13.5 |     |
| $t_{PLH}$   | CLK             | Q           | $C_L = 50\text{ pF}$ | 10.6                     | 16.2                |                    | 1                 | 18.5                | 1              | 18.5 | 1               | 20   | ns  |
| $t_{PHL}$   |                 |             |                      | 10.6                     | 16.2                |                    | 1                 | 18.5                | 1              | 18.5 | 1               | 20   |     |
| $t_{PZH}$   | $\overline{OE}$ | Q           | $C_L = 50\text{ pF}$ | 9.6                      | 14.5                |                    | 1                 | 16.5                | 1              | 16.5 | 1               | 17.5 | ns  |
| $t_{PZL}$   |                 |             |                      | 9.6                      | 14.5                |                    | 1                 | 16.5                | 1              | 16.5 | 1               | 17.5 |     |
| $t_{PHZ}$   | $\overline{OE}$ | Q           | $C_L = 50\text{ pF}$ | 10.2                     | 14                  |                    | 1                 | 16                  | 1              | 16   | 1               | 17   | ns  |
| $t_{PLZ}$   |                 |             |                      | 10.2                     | 14                  |                    | 1                 | 16                  | 1              | 16   | 1               | 17   |     |
| $t_{sk(o)}$ |                 |             | $C_L = 50\text{ pF}$ |                          |                     | 1.5 <sup>(2)</sup> |                   |                     |                | 1.5  | 1.5             | ns   |     |

(1) On products compliant to MIL-PRF-38535, this parameter is not production tested.

(2) On products compliant to MIL-PRF-38535, this parameter does not apply.

## 5.9 Switching Characteristics, $V_{CC} = 5\text{ V} \pm 0.5\text{ V}$

over recommended operating free-air temperature range (unless otherwise noted) (see [Load Circuit and Voltage Waveforms](#))

| PARAMETER   | FROM (INPUT)    | TO (OUTPUT) | LOAD CAPACITANCE     | $T_A = 25^\circ\text{C}$ |                    |                    | SN54AHC374         |                    | SN74AHC374     |      |                 | UNIT |     |
|-------------|-----------------|-------------|----------------------|--------------------------|--------------------|--------------------|--------------------|--------------------|----------------|------|-----------------|------|-----|
|             |                 |             |                      |                          |                    |                    | - 40°C to 85°C     |                    | - 40°C to 85°C |      | - 40°C to 125°C |      |     |
|             |                 |             |                      | MIN                      | TYP                | MAX                | MIN                | MAX                | MIN            | MAX  | MIN             |      | MAX |
| $f_{MAX}$   |                 |             | $C_L = 15\text{ pF}$ | 130 <sup>(1)</sup>       | 185 <sup>(1)</sup> |                    | 110 <sup>(1)</sup> |                    | 110            |      | 110             | MHz  |     |
|             |                 |             | $C_L = 50\text{ pF}$ | 85                       | 120                |                    | 75                 |                    | 75             |      | 75              |      |     |
| $t_{PLH}$   | CLK             | Q           | $C_L = 15\text{ pF}$ |                          | 5.4 <sup>(1)</sup> | 8.1 <sup>(1)</sup> | 1 <sup>(1)</sup>   | 9.5 <sup>(1)</sup> | 1              | 9.5  | 1               | 10.5 | ns  |
| $t_{PHL}$   |                 |             |                      |                          | 5.4 <sup>(1)</sup> | 8.1 <sup>(1)</sup> | 1 <sup>(1)</sup>   | 9.5 <sup>(1)</sup> | 1              | 9.5  | 1               | 10.5 |     |
| $t_{PZH}$   | $\overline{OE}$ | Q           | $C_L = 15\text{ pF}$ |                          | 5.1 <sup>(1)</sup> | 7.6 <sup>(1)</sup> | 1 <sup>(1)</sup>   | 9 <sup>(1)</sup>   | 1              | 9    | 1               | 10   | ns  |
| $t_{PZL}$   |                 |             |                      |                          | 5.1 <sup>(1)</sup> | 7.6 <sup>(1)</sup> | 1 <sup>(1)</sup>   | 9 <sup>(1)</sup>   | 1              | 9    | 1               | 10   |     |
| $t_{PHZ}$   | $\overline{OE}$ | Q           | $C_L = 15\text{ pF}$ |                          | 4.6 <sup>(1)</sup> | 6.8 <sup>(1)</sup> | 1 <sup>(1)</sup>   | 8 <sup>(1)</sup>   | 1              | 8    | 1               | 9    | ns  |
| $t_{PLZ}$   |                 |             |                      |                          | 4.6 <sup>(1)</sup> | 6.8 <sup>(1)</sup> | 1 <sup>(1)</sup>   | 8 <sup>(1)</sup>   | 1              | 8    | 1               | 9    |     |
| $t_{PLH}$   | CLK             | Q           | $C_L = 50\text{ pF}$ |                          | 6.9                | 10.1               | 1                  | 11.5               | 1              | 11.5 | 1               | 12.5 | ns  |
| $t_{PHL}$   |                 |             |                      |                          | 6.9                | 10.1               | 1                  | 11.5               | 1              | 11.5 | 1               | 12.5 |     |
| $t_{PZH}$   | $\overline{OE}$ | Q           | $C_L = 50\text{ pF}$ |                          | 6.6                | 9.6                | 1                  | 11                 | 1              | 11   | 1               | 12   | ns  |
| $t_{PZL}$   |                 |             |                      |                          | 6.6                | 9.6                | 1                  | 11                 | 1              | 11   | 1               | 12   |     |
| $t_{PHZ}$   | $\overline{OE}$ | Q           | $C_L = 50\text{ pF}$ |                          | 6.1                | 8.8                | 1                  | 10                 | 1              | 10   | 1               | 11   | ns  |
| $t_{PLZ}$   |                 |             |                      |                          | 6.1                | 8.8                | 1                  | 10                 | 1              | 10   | 1               | 11   |     |
| $t_{sk(o)}$ |                 |             | $C_L = 50\text{ pF}$ |                          |                    | 1 <sup>(2)</sup>   |                    |                    |                | 1    |                 | ns   |     |

- (1) On products compliant to MIL-PRF-38535, this parameter is not production tested.  
(2) On products compliant to MIL-PRF-38535, this parameter does not apply.

## 5.10 Noise Characteristics

$V_{CC} = 5\text{ V}$ ,  $C_L = 50\text{ pF}$ ,  $T_A = 25^\circ\text{C}$ <sup>(1)</sup>

| PARAMETER   |  | SN74AHC374 |       |       | UNIT |
|-------------|--|------------|-------|-------|------|
|             |  | MIN        | TYP   | MAX   |      |
| $V_{OL(P)}$ | Quiet output, maximum dynamic $V_{OL}$ |            | 0.5   | 1     | V    |
| $V_{OL(V)}$ | Quiet output, minimum dynamic $V_{OL}$ |            | - 0.5 | - 0.8 | V    |
| $V_{OH(V)}$ | Quiet output, minimum dynamic $V_{OH}$ |            | 4     |       | V    |
| $V_{IH(D)}$ | High-level dynamic input voltage       |            | 3.5   |       | V    |
| $V_{IL(D)}$ | Low-level dynamic input voltage        |            |       | 1.5   | V    |

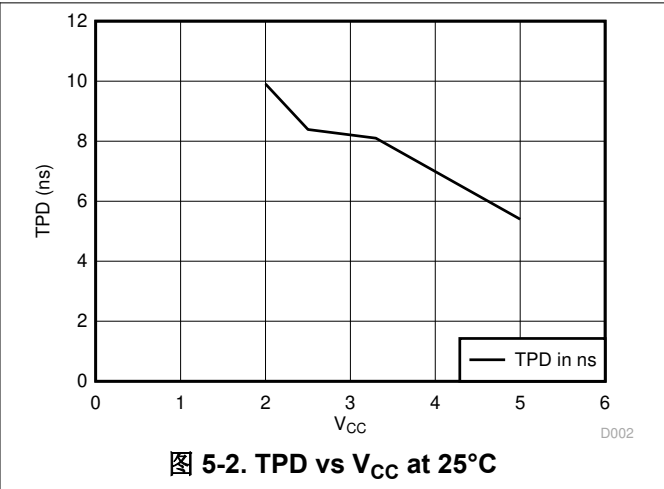
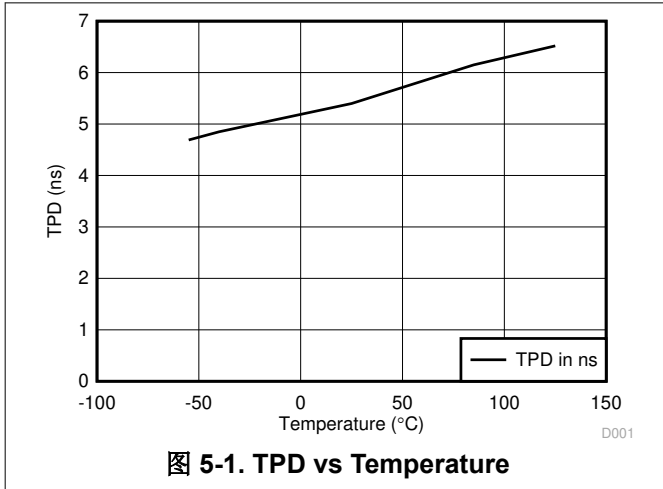
- (1) Characteristics are for surface-mount packages only.

## 5.11 Operating Characteristics

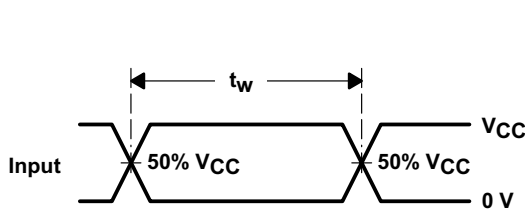
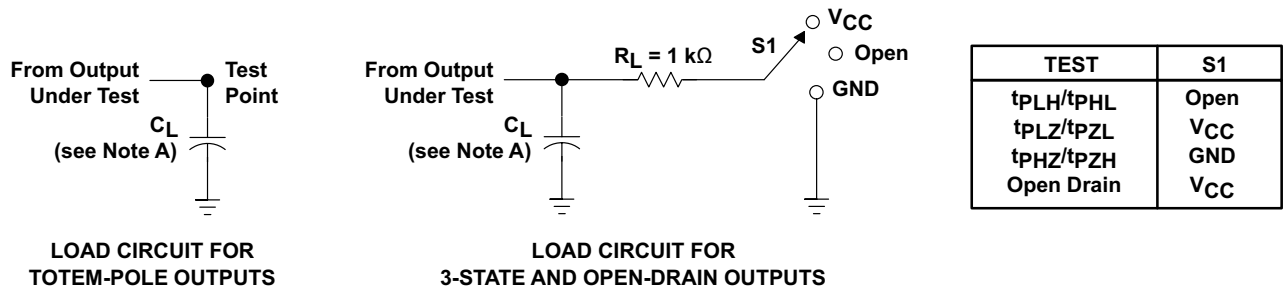
$V_{CC} = 5\text{ V}$ ,  $T_A = 25^\circ\text{C}$

| PARAMETER | TEST CONDITIONS  | TYP | UNIT |
|-----------|--|-----|------|
| $C_{pd}$  | Power dissipation capacitance<br>No load, $f = 1\text{ MHz}$ | 32  | pF   |

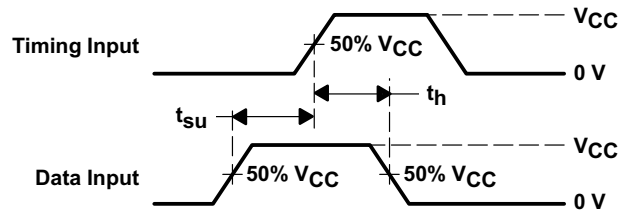
### 5.12 Typical Characteristics



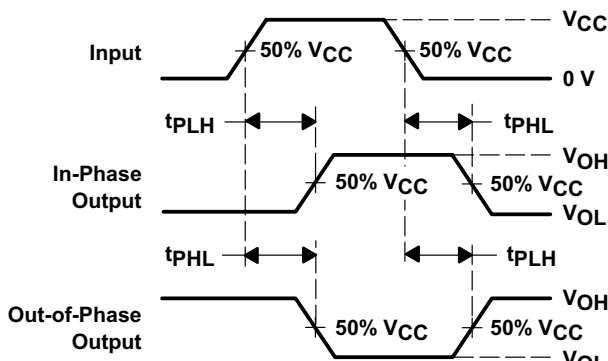
## 6 Parameter Measurement Information



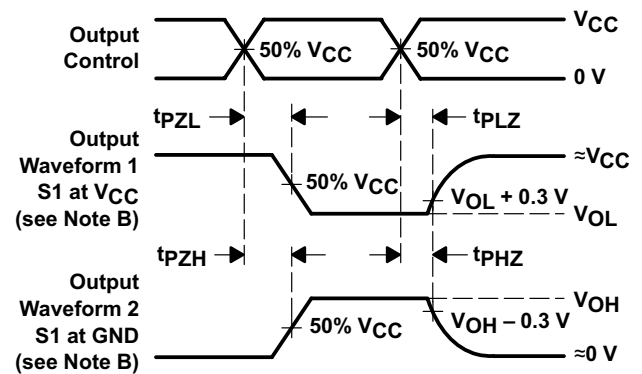
VOLTAGE WAVEFORMS  
PULSE DURATION



VOLTAGE WAVEFORMS  
SETUP AND HOLD TIMES



VOLTAGE WAVEFORMS  
PROPAGATION DELAY TIMES  
INVERTING AND NONINVERTING OUTPUTS



VOLTAGE WAVEFORMS  
ENABLE AND DISABLE TIMES  
LOW- AND HIGH-LEVEL ENABLING

- NOTES: A.  $C_L$  includes probe and jig capacitance.  
 B. Waveform 1 is for an output with internal conditions such that the output is low except when disabled by the output control. Waveform 2 is for an output with internal conditions such that the output is high except when disabled by the output control.  
 C. All input pulses are supplied by generators having the following characteristics:  $PRR \leq 1\text{ MHz}$ ,  $Z_O = 50\ \Omega$ ,  $t_r \leq 3\text{ ns}$ ,  $t_f \leq 3\text{ ns}$ .  
 D. The outputs are measured one at a time with one input transition per measurement.  
 E. All parameters and waveforms are not applicable to all devices.

图 6-1. Load Circuit and Voltage Waveforms

## 7 Detailed Description

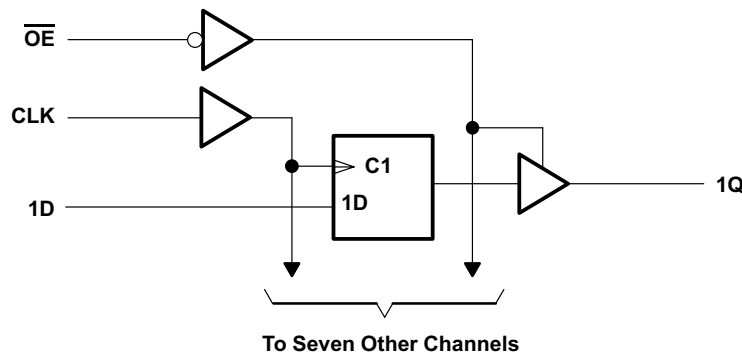
### 7.1 Overview

The SNx4AHC374 devices are octal edge-triggered D-type flip-flops that feature 3-state outputs designed specifically for driving highly capacitive or relatively low-impedance loads. These devices are particularly suitable for implementing buffer registers, I/O ports, bidirectional bus drivers, and working registers.

On the positive transition of the clock (CLK) input, the Q outputs are set to the logic levels of the data (D) inputs.

A buffered output-enable ( $\overline{OE}$ ) input can be used to place the eight outputs in either a normal logic state (high or low) or the high-impedance state. In the high-impedance state, the outputs neither load nor drive the bus lines significantly. The high-impedance state and the increased drive provide the capability to drive bus lines without interface or pull-up components.

### 7.2 Functional Block Diagram



### 7.3 Feature Description

- Wide operating voltage range
  - Operates from 2 V to 5.5 V
- Allows down-voltage translation
  - Inputs accept voltages to 5.5 V
- Slow edges reduce output ringing

### 7.4 Device Functional Modes

表 7-1. Function Table  
(Each Flip-Flop)

| INPUTS          |        |   | OUTPUT |
|-----------------|--------|---|--------|
| $\overline{OE}$ | CLK    | D | Q      |
| L               | ↑      | H | H      |
| L               | ↑      | L | L      |
| L               | H or L | X | $Q_0$  |
| H               | X      | X | Z      |

## 8 Application and Implementation

### 备注

以下应用部分中的信息不属于 TI 器件规格的范围，TI 不担保其准确性和完整性。TI 的客户应负责确定器件是否适用于其应用。客户应验证并测试其设计，以确保系统功能。

### 8.1 Application Information

SNx4AHC374 is a low-drive CMOS device that can be used for a multitude of bus interface type applications where output ringing is a concern. The low drive and slow edge rates will minimize overshoot and undershoot on the outputs. The inputs are tolerant to 5.5 V at any valid  $V_{CC}$ . This feature makes it ideal for translating down to the  $V_{CC}$  level. 图 8-2 shows the reduction in ringing compared to higher drive parts such as AC.

### 8.2 Typical Application

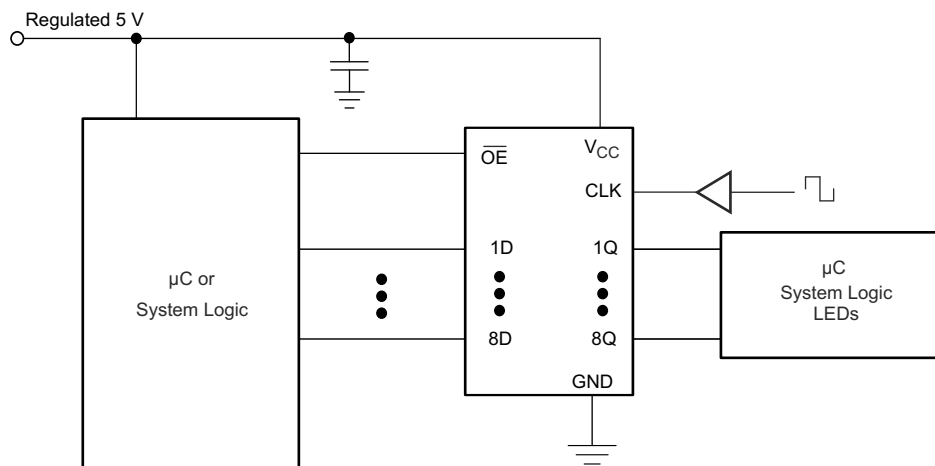


图 8-1. Typical Application Schematic

#### 8.2.1 Design Requirements

This device uses CMOS technology and has balanced output drive. Care should be taken to avoid bus contention because it can drive currents that would exceed maximum limits. The high drive will also create fast edges into light loads, so routing and load conditions should be considered to prevent ringing.

#### 8.2.2 Detailed Design Procedure

- Recommended Input Conditions
  - For rise time and fall time specifications, see  $\Delta t / \Delta V$  in the 节 5.3 table.
  - For specified High and low levels, see  $V_{IH}$  and  $V_{IL}$  in the 节 5.3 table.
  - Inputs are overvoltage tolerant allowing them to go as high as 5.5 V at any valid  $V_{CC}$ .
- Recommend Output Conditions
  - Load currents should not exceed 25 mA per output and 75 mA total for the part.
  - Outputs should not be pulled above  $V_{CC}$ .

### 8.2.3 Application Curves

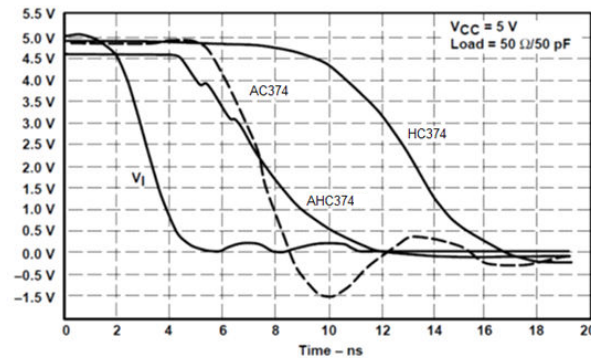


图 8-2. Switching Characteristics Comparison

### 8.3 Power Supply Recommendations

The power supply can be any voltage between the MIN and MAX supply voltage rating located in the [表 5.3](#) table.

Each  $V_{CC}$  pin should have a good bypass capacitor to prevent power disturbance. For devices with a single supply,  $0.1 \mu\text{F}$  is recommended. If there are multiple  $V_{CC}$  pins,  $0.01 \mu\text{F}$  or  $0.022 \mu\text{F}$  is recommended for each power pin. It is acceptable to parallel multiple bypass caps to reject different frequencies of noise. A  $0.1 \mu\text{F}$  and  $1 \mu\text{F}$  are commonly used in parallel. The bypass capacitor should be installed as close to the power pin as possible for best results.

### 8.4 Layout

#### 8.4.1 Layout Guidelines

When using multiple bit logic devices, inputs should not float. In many cases, functions or parts of functions of digital logic devices are unused. Some examples are when only two inputs of a triple-input AND gate are used, or when only 3 of the 4-buffer gates are used. Such input pins should not be left unconnected because the undefined voltages at the outside connections result in undefined operational states.

Specified in [图 8-3](#) are rules that must be observed under all circumstances. All unused inputs of digital logic devices must be connected to a high or low bias to prevent them from floating. The logic level that should be applied to any particular unused input depends on the function of the device. Generally they will be tied to GND or  $V_{CC}$ , whichever makes more sense or is more convenient. It is acceptable to float outputs unless the part is a transceiver. If the transceiver has an output enable pin, it will disable the outputs section of the part when asserted. This will not disable the input section of the I/Os so they also cannot float when disabled.

#### 8.4.2 Layout Example

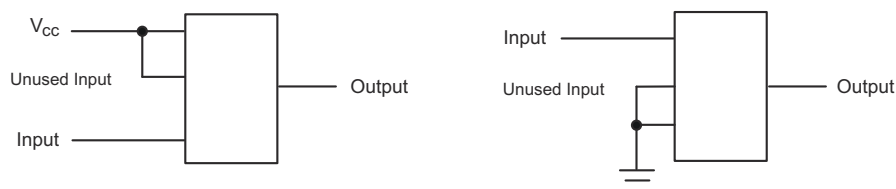


图 8-3. Layout Diagram

## 9 Device and Documentation Support

### 9.1 Documentation Support

#### 9.1.1 Related Links

The table below lists quick access links. Categories include technical documents, support and community resources, tools and software, and quick access to sample or buy.

表 9-1. Related Links

| PARTS      | PRODUCT FOLDER             | SAMPLE & BUY               | TECHNICAL DOCUMENTS        | TOOLS & SOFTWARE           | SUPPORT & COMMUNITY        |
|------------|----------------------------|----------------------------|----------------------------|----------------------------|----------------------------|
| SN54AHC374 | <a href="#">Click here</a> | <a href="#">Click here</a> | <a href="#">Click here</a> | <a href="#">Click here</a> | <a href="#">Click here</a> |
| SN74AHC374 | <a href="#">Click here</a> | <a href="#">Click here</a> | <a href="#">Click here</a> | <a href="#">Click here</a> | <a href="#">Click here</a> |

### 9.2 接收文档更新通知

要接收文档更新通知，请导航至 [ti.com](http://ti.com) 上的器件产品文件夹。点击 [通知](#) 进行注册，即可每周接收产品信息更改摘要。有关更改的详细信息，请查看任何已修订文档中包含的修订历史记录。

### 9.3 支持资源

TI E2E™ [中文支持论坛](#) 是工程师的重要参考资料，可直接从专家处获得快速、经过验证的解答和设计帮助。搜索现有解答或提出自己的问题，获得所需的快速设计帮助。

链接的内容由各个贡献者“按原样”提供。这些内容并不构成 TI 技术规范，并且不一定反映 TI 的观点；请参阅 TI 的 [使用条款](#)。

### 9.4 Trademarks

TI E2E™ is a trademark of Texas Instruments.  
所有商标均为其各自所有者的财产。

### 9.5 静电放电警告



静电放电 (ESD) 会损坏这个集成电路。德州仪器 (TI) 建议通过适当的预防措施处理所有集成电路。如果不遵守正确的处理和安装程序，可能会损坏集成电路。

ESD 的损坏小至导致微小的性能降级，大至整个器件故障。精密的集成电路可能更容易受到损坏，这是因为非常细微的参数更改都可能会导致器件与其发布的规格不相符。

### 9.6 术语表

[TI 术语表](#) 本术语表列出并解释了术语、首字母缩略词和定义。

## 10 Revision History

### Changes from Revision J (December 2014) to Revision K (July 2024)

Page

- 向 [器件信息](#) 表中添加了封装尺寸和军用级封装 ..... 1
- Updated thermal values for PW package from  $R^{\theta} JA = 103.3$  to 116.8,  $R^{\theta} JC(\text{top}) = 37.8$  to 58.5,  $R^{\theta} JB = 54.3$  to 78.7,  $\Psi JT = 2.9$  to 12.6,  $\Psi JB = 53.8$  to 77.9,  $R^{\theta} JC(\text{bot}) = N/A$ , all values in  $^{\circ}C/W$  ..... 5

### Changes from Revision I (July 2003) to Revision J (December 2014)

Page

- 添加了 [应用](#)、[器件信息表](#)、[引脚功能表](#)、[ESD 等级表](#)、[热性能信息表](#)、[典型特性](#)、[特性说明](#) 部分、[器件功能模式](#)、[应用和实施](#) 部分、[电源相关建议](#) 部分、[布局](#) 部分、[器件和文档支持](#) 部分以及 [机械](#)、[封装](#) 和 [可订购信息](#) 部分 ..... 1
- 删除了 [订购信息表](#)。 ..... 1

- 向特性列表中添加了“军用免责声明”。 ..... 1
  - Changed MAX operating temperature to 125°C in *Recommended Operating Conditions* table. .... 4
- 

## 11 Mechanical, Packaging, and Orderable Information

The following pages include mechanical, packaging, and orderable information. This information is the most current data available for the designated devices. This data is subject to change without notice and revision of this document. For browser-based versions of this data sheet, refer to the left-hand navigation.

**PACKAGING INFORMATION**

| Orderable part number           | Status<br>(1) | Material type<br>(2) | Package   Pins   | Package qty   Carrier | RoHS<br>(3) | Lead finish/<br>Ball material<br>(4) | MSL rating/<br>Peak reflow<br>(5) | Op temp (°C) | Part marking<br>(6)                  |
|---------------------------------|---------------|----------------------|------------------|-----------------------|-------------|--------------------------------------|-----------------------------------|--------------|--------------------------------------|
| <a href="#">5962-9686401Q2A</a> | Active        | Production           | LCCC (FK)   20   | 55   TUBE             | No          | SNPB                                 | N/A for Pkg Type                  | -55 to 125   | 5962-9686401Q2A<br>SNJ54AHC<br>374FK |
| <a href="#">5962-9686401QRA</a> | Active        | Production           | CDIP (J)   20    | 20   TUBE             | No          | SNPB                                 | N/A for Pkg Type                  | -55 to 125   | 5962-9686401QR<br>A<br>SNJ54AHC374J  |
| <a href="#">5962-9686401QSA</a> | Active        | Production           | CFP (W)   20     | 25   TUBE             | No          | SNPB                                 | N/A for Pkg Type                  | -55 to 125   | 5962-9686401QS<br>A<br>SNJ54AHC374W  |
| <a href="#">SN74AHC374DBR</a>   | Active        | Production           | SSOP (DB)   20   | 2000   LARGE T&R      | Yes         | NIPDAU                               | Level-1-260C-UNLIM                | -40 to 125   | HA374                                |
| <a href="#">SN74AHC374DBR.A</a> | Active        | Production           | SSOP (DB)   20   | 2000   LARGE T&R      | Yes         | NIPDAU                               | Level-1-260C-UNLIM                | -40 to 125   | HA374                                |
| <a href="#">SN74AHC374DGSR</a>  | Active        | Production           | VSSOP (DGS)   20 | 5000   LARGE T&R      | Yes         | NIPDAU                               | Level-1-260C-UNLIM                | -40 to 125   | AHC374                               |
| <a href="#">SN74AHC374DW</a>    | Obsolete      | Production           | SOIC (DW)   20   | -                     | -           | Call TI                              | Call TI                           | -40 to 125   | AHC374                               |
| <a href="#">SN74AHC374DWR</a>   | NRND          | Production           | SOIC (DW)   20   | 2000   LARGE T&R      | Yes         | NIPDAU                               | Level-1-260C-UNLIM                | -40 to 125   | AHC374                               |
| <a href="#">SN74AHC374DWR.A</a> | NRND          | Production           | SOIC (DW)   20   | 2000   LARGE T&R      | Yes         | NIPDAU                               | Level-1-260C-UNLIM                | -40 to 125   | AHC374                               |
| <a href="#">SN74AHC374N</a>     | Active        | Production           | PDIP (N)   20    | 20   TUBE             | Yes         | NIPDAU                               | N/A for Pkg Type                  | -40 to 125   | SN74AHC374N                          |
| <a href="#">SN74AHC374N.A</a>   | Active        | Production           | PDIP (N)   20    | 20   TUBE             | Yes         | NIPDAU                               | N/A for Pkg Type                  | -40 to 125   | SN74AHC374N                          |
| <a href="#">SN74AHC374NSR</a>   | Active        | Production           | SOP (NS)   20    | 2000   LARGE T&R      | Yes         | NIPDAU                               | Level-1-260C-UNLIM                | -40 to 125   | AHC374                               |
| <a href="#">SN74AHC374NSR.A</a> | Active        | Production           | SOP (NS)   20    | 2000   LARGE T&R      | Yes         | NIPDAU                               | Level-1-260C-UNLIM                | -40 to 125   | AHC374                               |
| <a href="#">SN74AHC374PW</a>    | Obsolete      | Production           | TSSOP (PW)   20  | -                     | -           | Call TI                              | Call TI                           | -40 to 125   | HA374                                |
| <a href="#">SN74AHC374PWR</a>   | Active        | Production           | TSSOP (PW)   20  | 2000   LARGE T&R      | Yes         | NIPDAU                               | Level-1-260C-UNLIM                | -40 to 125   | HA374                                |
| <a href="#">SN74AHC374PWR.A</a> | Active        | Production           | TSSOP (PW)   20  | 2000   LARGE T&R      | Yes         | NIPDAU                               | Level-1-260C-UNLIM                | -40 to 125   | HA374                                |
| <a href="#">SN74AHC374PWRG4</a> | Active        | Production           | TSSOP (PW)   20  | 2000   LARGE T&R      | Yes         | NIPDAU                               | Level-1-260C-UNLIM                | -40 to 125   | HA374                                |
| <a href="#">SN74AHC374RKSR</a>  | Active        | Production           | VQFN (RKS)   20  | 3000   LARGE T&R      | Yes         | NIPDAU                               | Level-1-260C-UNLIM                | -40 to 125   | AHC374                               |
| <a href="#">SNJ54AHC374FK</a>   | Active        | Production           | LCCC (FK)   20   | 55   TUBE             | No          | SNPB                                 | N/A for Pkg Type                  | -55 to 125   | 5962-9686401Q2A<br>SNJ54AHC<br>374FK |

| Orderable part number        | Status<br>(1) | Material type<br>(2) | Package   Pins | Package qty   Carrier | RoHS<br>(3) | Lead finish/<br>Ball material<br>(4) | MSL rating/<br>Peak reflow<br>(5) | Op temp (°C) | Part marking<br>(6)                  |
|------------------------------|---------------|----------------------|----------------|-----------------------|-------------|--------------------------------------|-----------------------------------|--------------|--------------------------------------|
| SNJ54AHC374FK.A              | Active        | Production           | LCCC (FK)   20 | 55   TUBE             | No          | SNPB                                 | N/A for Pkg Type                  | -55 to 125   | 5962-9686401Q2A<br>SNJ54AHC<br>374FK |
| <a href="#">SNJ54AHC374J</a> | Active        | Production           | CDIP (J)   20  | 20   TUBE             | No          | SNPB                                 | N/A for Pkg Type                  | -55 to 125   | 5962-9686401QR<br>A<br>SNJ54AHC374J  |
| SNJ54AHC374J.A               | Active        | Production           | CDIP (J)   20  | 20   TUBE             | No          | SNPB                                 | N/A for Pkg Type                  | -55 to 125   | 5962-9686401QR<br>A<br>SNJ54AHC374J  |
| <a href="#">SNJ54AHC374W</a> | Active        | Production           | CFP (W)   20   | 25   TUBE             | No          | SNPB                                 | N/A for Pkg Type                  | -55 to 125   | 5962-9686401QS<br>A<br>SNJ54AHC374W  |
| SNJ54AHC374W.A               | Active        | Production           | CFP (W)   20   | 25   TUBE             | No          | SNPB                                 | N/A for Pkg Type                  | -55 to 125   | 5962-9686401QS<br>A<br>SNJ54AHC374W  |

(1) **Status:** For more details on status, see our [product life cycle](#).

(2) **Material type:** When designated, preproduction parts are prototypes/experimental devices, and are not yet approved or released for full production. Testing and final process, including without limitation quality assurance, reliability performance testing, and/or process qualification, may not yet be complete, and this item is subject to further changes or possible discontinuation. If available for ordering, purchases will be subject to an additional waiver at checkout, and are intended for early internal evaluation purposes only. These items are sold without warranties of any kind.

(3) **RoHS values:** Yes, No, RoHS Exempt. See the [TI RoHS Statement](#) for additional information and value definition.

(4) **Lead finish/Ball material:** Parts may have multiple material finish options. Finish options are separated by a vertical ruled line. Lead finish/Ball material values may wrap to two lines if the finish value exceeds the maximum column width.

(5) **MSL rating/Peak reflow:** The moisture sensitivity level ratings and peak solder (reflow) temperatures. In the event that a part has multiple moisture sensitivity ratings, only the lowest level per JEDEC standards is shown. Refer to the shipping label for the actual reflow temperature that will be used to mount the part to the printed circuit board.

(6) **Part marking:** There may be an additional marking, which relates to the logo, the lot trace code information, or the environmental category of the part.

Multiple part markings will be inside parentheses. Only one part marking contained in parentheses and separated by a "-" will appear on a part. If a line is indented then it is a continuation of the previous line and the two combined represent the entire part marking for that device.

**Important Information and Disclaimer:** The information provided on this page represents TI's knowledge and belief as of the date that it is provided. TI bases its knowledge and belief on information provided by third parties, and makes no representation or warranty as to the accuracy of such information. Efforts are underway to better integrate information from third parties. TI has taken and continues to take reasonable steps to provide representative and accurate information but may not have conducted destructive testing or chemical analysis on incoming materials and chemicals. TI and TI suppliers consider certain information to be proprietary, and thus CAS numbers and other limited information may not be available for release.

In no event shall TI's liability arising out of such information exceed the total purchase price of the TI part(s) at issue in this document sold by TI to Customer on an annual basis.

**OTHER QUALIFIED VERSIONS OF SN54AHC374, SN74AHC374 :**

- Catalog : [SN74AHC374](#)
- Automotive : [SN74AHC374-Q1](#), [SN74AHC374-Q1](#)
- Military : [SN54AHC374](#)

NOTE: Qualified Version Definitions:

- Catalog - TI's standard catalog product
- Automotive - Q100 devices qualified for high-reliability automotive applications targeting zero defects
- Military - QML certified for Military and Defense Applications

**TAPE AND REEL INFORMATION**

**QUADRANT ASSIGNMENTS FOR PIN 1 ORIENTATION IN TAPE**


\*All dimensions are nominal

| Device         | Package Type | Package Drawing | Pins | SPQ  | Reel Diameter (mm) | Reel Width W1 (mm) | A0 (mm) | B0 (mm) | K0 (mm) | P1 (mm) | W (mm) | Pin1 Quadrant |
|----------------|--------------|-----------------|------|------|--------------------|--------------------|---------|---------|---------|---------|--------|---------------|
| SN74AHC374DBR  | SSOP         | DB              | 20   | 2000 | 330.0              | 16.4               | 8.2     | 7.5     | 2.5     | 12.0    | 16.0   | Q1            |
| SN74AHC374DGSR | VSSOP        | DGS             | 20   | 5000 | 330.0              | 16.4               | 5.4     | 5.4     | 1.45    | 8.0     | 16.0   | Q1            |
| SN74AHC374DWR  | SOIC         | DW              | 20   | 2000 | 330.0              | 24.4               | 10.8    | 13.3    | 2.7     | 12.0    | 24.0   | Q1            |
| SN74AHC374NSR  | SOP          | NS              | 20   | 2000 | 330.0              | 24.4               | 8.4     | 13.0    | 2.5     | 12.0    | 24.0   | Q1            |
| SN74AHC374PWR  | TSSOP        | PW              | 20   | 2000 | 330.0              | 16.4               | 6.95    | 7.0     | 1.4     | 8.0     | 16.0   | Q1            |
| SN74AHC374RKSR | VQFN         | RKS             | 20   | 3000 | 180.0              | 12.4               | 2.8     | 4.8     | 1.2     | 4.0     | 12.0   | Q1            |

**TAPE AND REEL BOX DIMENSIONS**


\*All dimensions are nominal

| Device         | Package Type | Package Drawing | Pins | SPQ  | Length (mm) | Width (mm) | Height (mm) |
|----------------|--------------|-----------------|------|------|-------------|------------|-------------|
| SN74AHC374DBR  | SSOP         | DB              | 20   | 2000 | 353.0       | 353.0      | 32.0        |
| SN74AHC374DGSR | VSSOP        | DGS             | 20   | 5000 | 353.0       | 353.0      | 32.0        |
| SN74AHC374DWR  | SOIC         | DW              | 20   | 2000 | 356.0       | 356.0      | 45.0        |
| SN74AHC374NSR  | SOP          | NS              | 20   | 2000 | 356.0       | 356.0      | 45.0        |
| SN74AHC374PWR  | TSSOP        | PW              | 20   | 2000 | 353.0       | 353.0      | 32.0        |
| SN74AHC374RKSR | VQFN         | RKS             | 20   | 3000 | 210.0       | 185.0      | 35.0        |

**TUBE**


\*All dimensions are nominal

| Device          | Package Name | Package Type | Pins | SPQ | L (mm) | W (mm) | T (μm) | B (mm) |
|-----------------|--------------|--------------|------|-----|--------|--------|--------|--------|
| 5962-9686401Q2A | FK           | LCCC         | 20   | 55  | 506.98 | 12.06  | 2030   | NA     |
| 5962-9686401QSA | W            | CFP          | 20   | 25  | 506.98 | 26.16  | 6220   | NA     |
| SN74AHC374N     | N            | PDIP         | 20   | 20  | 506    | 13.97  | 11230  | 4.32   |
| SN74AHC374N.A   | N            | PDIP         | 20   | 20  | 506    | 13.97  | 11230  | 4.32   |
| SNJ54AHC374FK   | FK           | LCCC         | 20   | 55  | 506.98 | 12.06  | 2030   | NA     |
| SNJ54AHC374FK.A | FK           | LCCC         | 20   | 55  | 506.98 | 12.06  | 2030   | NA     |
| SNJ54AHC374W    | W            | CFP          | 20   | 25  | 506.98 | 26.16  | 6220   | NA     |
| SNJ54AHC374W.A  | W            | CFP          | 20   | 25  | 506.98 | 26.16  | 6220   | NA     |

# DB0020A



# PACKAGE OUTLINE

## SSOP - 2 mm max height

SMALL OUTLINE PACKAGE



4214851/B 08/2019

### NOTES:

1. All linear dimensions are in millimeters. Any dimensions in parenthesis are for reference only. Dimensioning and tolerancing per ASME Y14.5M.
2. This drawing is subject to change without notice.
3. This dimension does not include mold flash, protrusions, or gate burrs. Mold flash, protrusions, or gate burrs shall not exceed 0.15 mm per side.
4. This dimension does not include interlead flash. Interlead flash shall not exceed 0.25 mm per side.
5. Reference JEDEC registration MO-150.

# EXAMPLE BOARD LAYOUT

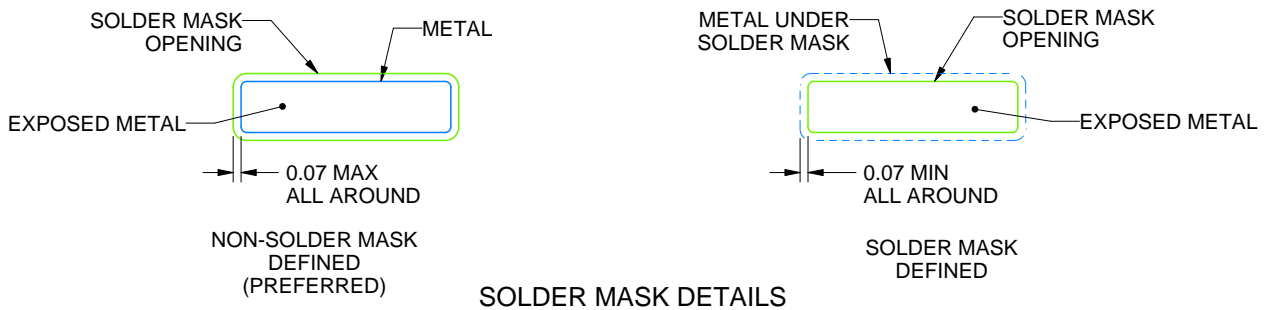
DB0020A

SSOP - 2 mm max height

SMALL OUTLINE PACKAGE



LAND PATTERN EXAMPLE  
EXPOSED METAL SHOWN  
SCALE: 10X



4214851/B 08/2019

NOTES: (continued)

- 6. Publication IPC-7351 may have alternate designs.
- 7. Solder mask tolerances between and around signal pads can vary based on board fabrication site.

# EXAMPLE STENCIL DESIGN

DB0020A

SSOP - 2 mm max height

SMALL OUTLINE PACKAGE



SOLDER PASTE EXAMPLE  
BASED ON 0.125 mm THICK STENCIL  
SCALE: 10X

4214851/B 08/2019

NOTES: (continued)

8. Laser cutting apertures with trapezoidal walls and rounded corners may offer better paste release. IPC-7525 may have alternate design recommendations.
9. Board assembly site may have different recommendations for stencil design.

## GENERIC PACKAGE VIEW

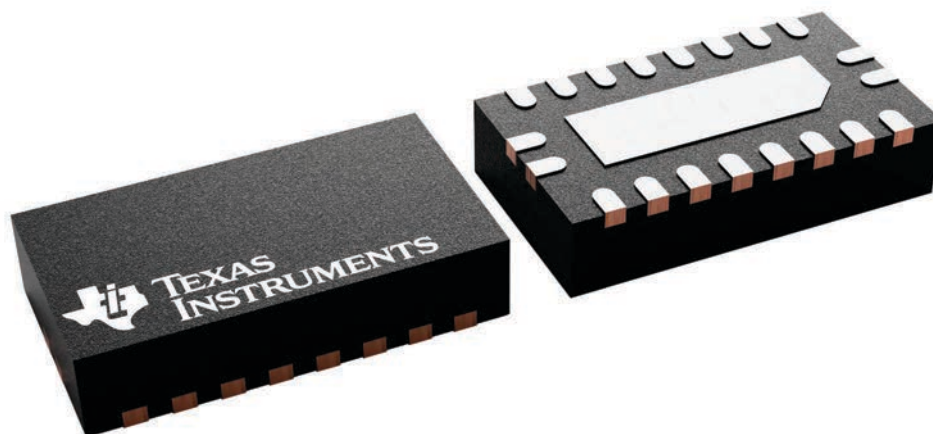
**RKS 20**

**VQFN - 1 mm max height**

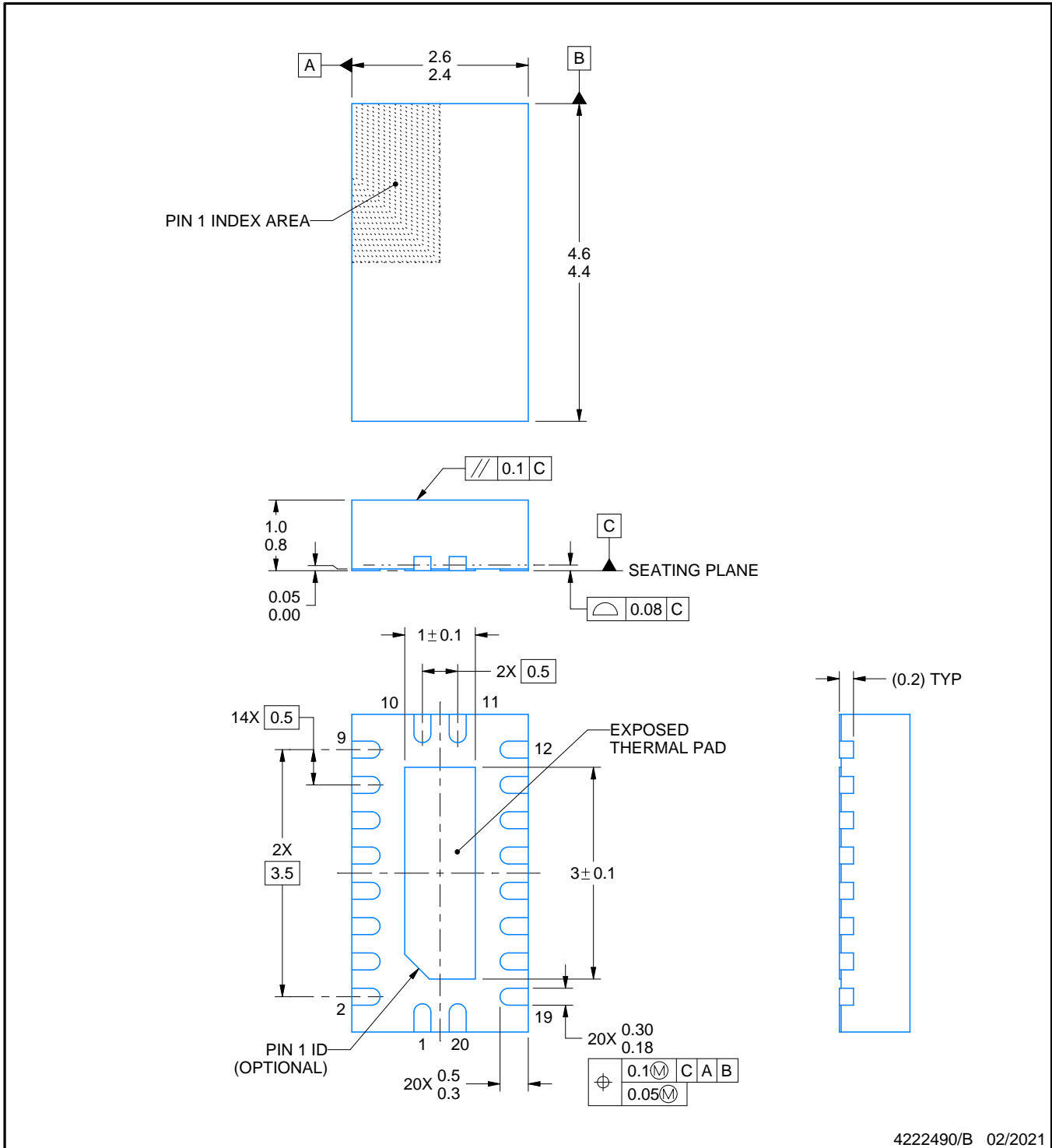
2.5 x 4.5, 0.5 mm pitch

PLASTIC QUAD FLATPACK - NO LEAD

This image is a representation of the package family, actual package may vary.  
Refer to the product data sheet for package details.



4226872/A



NOTES:

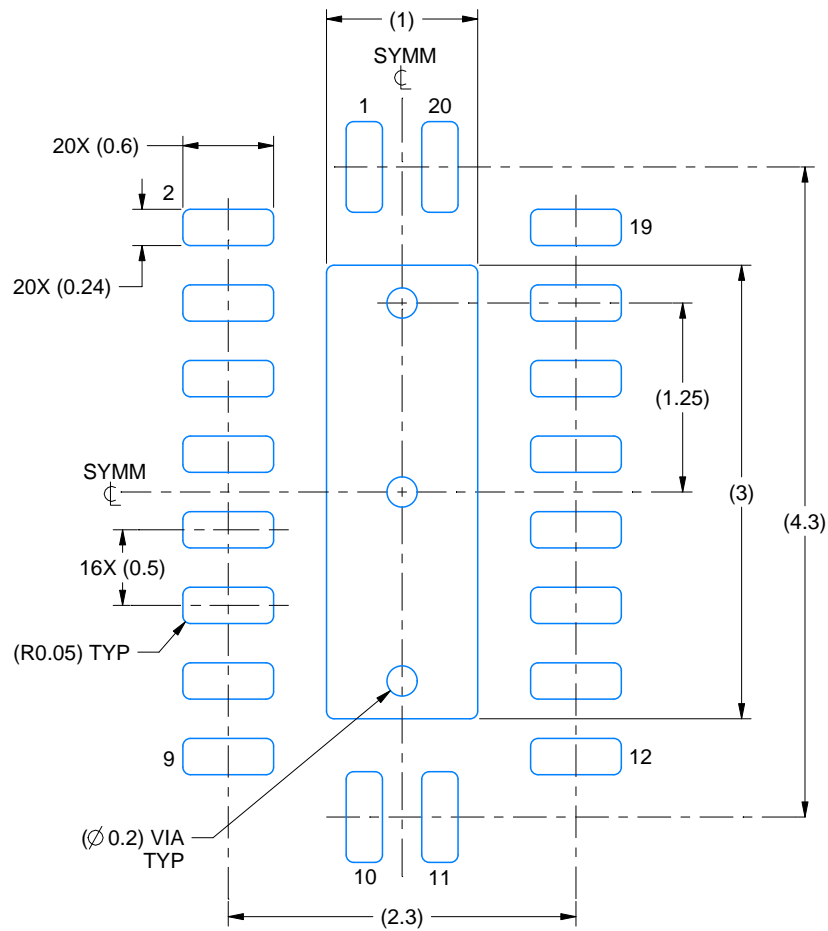
1. All linear dimensions are in millimeters. Any dimensions in parenthesis are for reference only. Dimensioning and tolerancing per ASME Y14.5M.
2. This drawing is subject to change without notice.
3. The package thermal pad must be soldered to the printed circuit board for thermal and mechanical performance.

# EXAMPLE BOARD LAYOUT

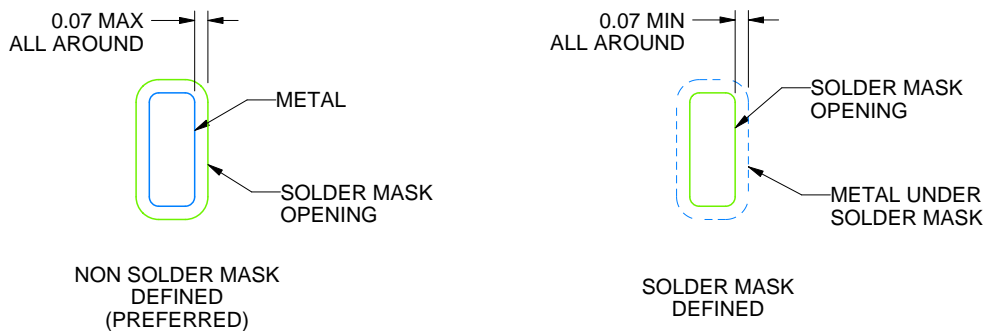
RKS0020A

VQFN - 1 mm max height

PLASTIC QUAD FLATPACK - NO LEAD



LAND PATTERN EXAMPLE  
SCALE:20X



SOLDER MASK DETAILS

4222490/B 02/2021

NOTES: (continued)

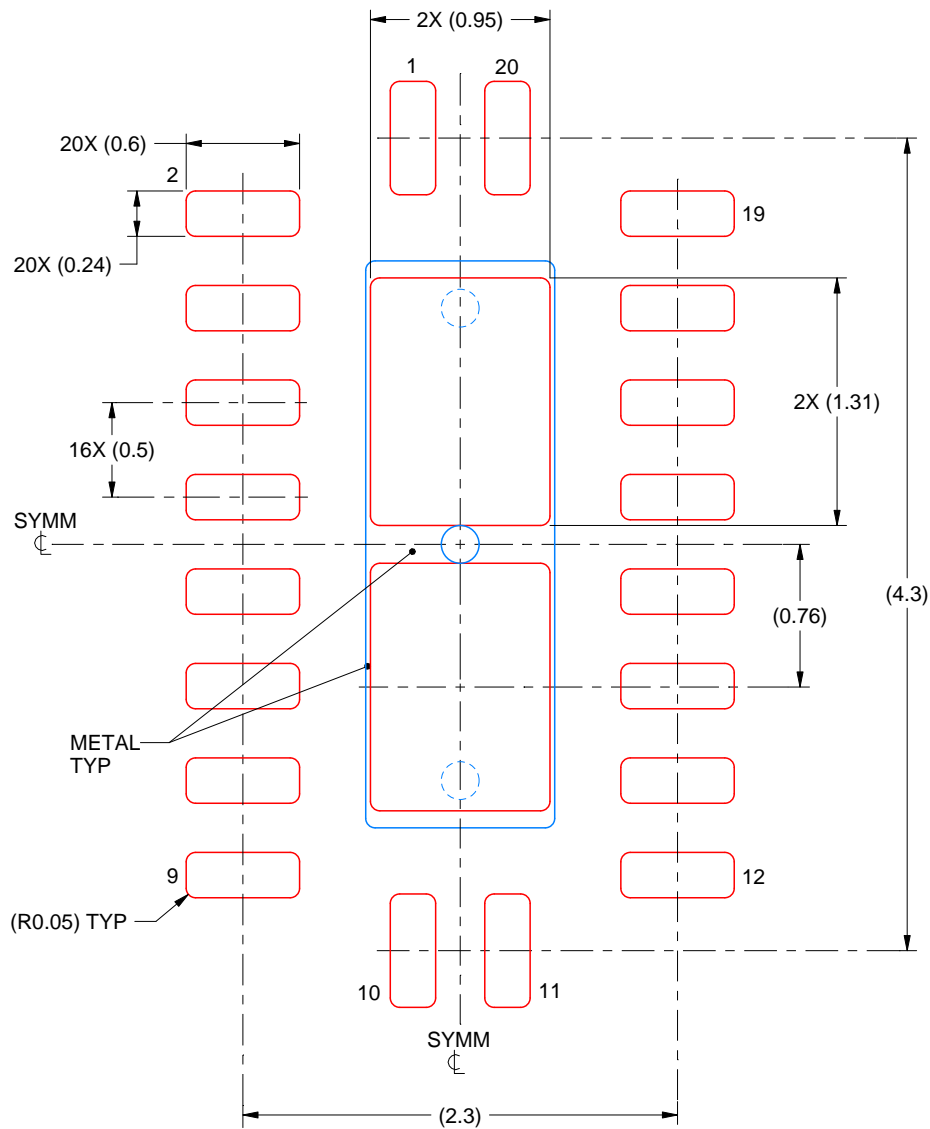
4. This package is designed to be soldered to a thermal pad on the board. For more information, see Texas Instruments literature number SLUA271 ([www.ti.com/lit/slua271](http://www.ti.com/lit/slua271)).
5. Vias are optional depending on application, refer to device data sheet. If some or all are implemented, recommended via locations are shown.

# EXAMPLE STENCIL DESIGN

RKS0020A

VQFN - 1 mm max height

PLASTIC QUAD FLATPACK - NO LEAD



SOLDER PASTE EXAMPLE  
 BASED ON 0.125 mm THICK STENCIL

EXPOSED PAD  
 83% PRINTED SOLDER COVERAGE BY AREA  
 SCALE:25X

4222490/B 02/2021

NOTES: (continued)

6. Laser cutting apertures with trapezoidal walls and rounded corners may offer better paste release. IPC-7525 may have alternate design recommendations.

# MECHANICAL DATA

NS (R-PDSO-G\*\*)

PLASTIC SMALL-OUTLINE PACKAGE

14-PINS SHOWN



- NOTES:
- A. All linear dimensions are in millimeters.
  - B. This drawing is subject to change without notice.
  - C. Body dimensions do not include mold flash or protrusion, not to exceed 0,15.

J (R-GDIP-T\*\*)

14 LEADS SHOWN

CERAMIC DUAL IN-LINE PACKAGE



| DIM \ PINS ** | 14                     | 16                     | 18                     | 20                     |
|---------------|------------------------|------------------------|------------------------|------------------------|
| A             | 0.300<br>(7,62)<br>BSC | 0.300<br>(7,62)<br>BSC | 0.300<br>(7,62)<br>BSC | 0.300<br>(7,62)<br>BSC |
| B MAX         | 0.785<br>(19,94)       | .840<br>(21,34)        | 0.960<br>(24,38)       | 1.060<br>(26,92)       |
| B MIN         | —                      | —                      | —                      | —                      |
| C MAX         | 0.300<br>(7,62)        | 0.300<br>(7,62)        | 0.310<br>(7,87)        | 0.300<br>(7,62)        |
| C MIN         | 0.245<br>(6,22)        | 0.245<br>(6,22)        | 0.220<br>(5,59)        | 0.245<br>(6,22)        |



4040083/F 03/03

- NOTES:
- All linear dimensions are in inches (millimeters).
  - This drawing is subject to change without notice.
  - This package is hermetically sealed with a ceramic lid using glass frit.
  - Index point is provided on cap for terminal identification only on press ceramic glass frit seal only.
  - Falls within MIL STD 1835 GDIP1-T14, GDIP1-T16, GDIP1-T18 and GDIP1-T20.

## GENERIC PACKAGE VIEW

**FK 20**

**LCCC - 2.03 mm max height**

8.89 x 8.89, 1.27 mm pitch

LEADLESS CERAMIC CHIP CARRIER

This image is a representation of the package family, actual package may vary.  
Refer to the product data sheet for package details.



4229370VA\

N (R-PDIP-T\*\*)

PLASTIC DUAL-IN-LINE PACKAGE

16 PINS SHOWN



- NOTES:
- A. All linear dimensions are in inches (millimeters).
  - B. This drawing is subject to change without notice.
  - Falls within JEDEC MS-001, except 18 and 20 pin minimum body length (Dim A).
  - The 20 pin end lead shoulder width is a vendor option, either half or full width.

# DW0020A



# PACKAGE OUTLINE

## SOIC - 2.65 mm max height

SOIC



4220724/A 05/2016

**NOTES:**

1. All linear dimensions are in millimeters. Dimensions in parenthesis are for reference only. Dimensioning and tolerancing per ASME Y14.5M.
2. This drawing is subject to change without notice.
3. This dimension does not include mold flash, protrusions, or gate burrs. Mold flash, protrusions, or gate burrs shall not exceed 0.15 mm per side.
4. This dimension does not include interlead flash. Interlead flash shall not exceed 0.43 mm per side.
5. Reference JEDEC registration MS-013.

# EXAMPLE BOARD LAYOUT

DW0020A

SOIC - 2.65 mm max height

SOIC



LAND PATTERN EXAMPLE  
SCALE:6X



SOLDER MASK DETAILS

4220724/A 05/2016

NOTES: (continued)

- 6. Publication IPC-7351 may have alternate designs.
- 7. Solder mask tolerances between and around signal pads can vary based on board fabrication site.

# EXAMPLE STENCIL DESIGN

DW0020A

SOIC - 2.65 mm max height

SOIC



SOLDER PASTE EXAMPLE  
BASED ON 0.125 mm THICK STENCIL  
SCALE:6X

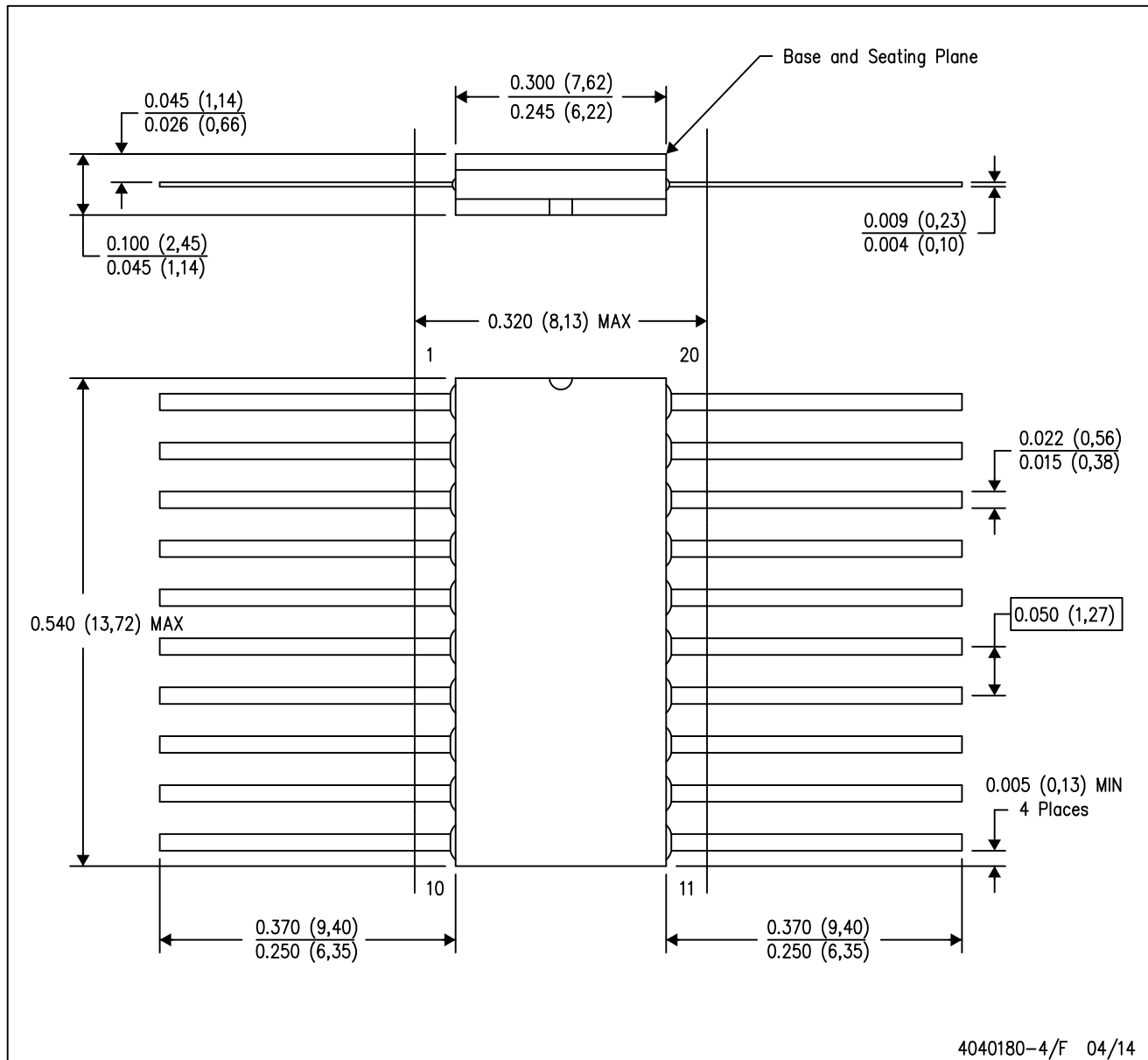
4220724/A 05/2016

NOTES: (continued)

8. Laser cutting apertures with trapezoidal walls and rounded corners may offer better paste release. IPC-7525 may have alternate design recommendations.
9. Board assembly site may have different recommendations for stencil design.

W (R-GDFP-F20)

CERAMIC DUAL FLATPACK



- NOTES:
- A. All linear dimensions are in inches (millimeters).
  - B. This drawing is subject to change without notice.
  - C. This package can be hermetically sealed with a ceramic lid using glass frit.
  - D. Index point is provided on cap for terminal identification only.
  - E. Falls within Mil-Std 1835 GDFP2-F20

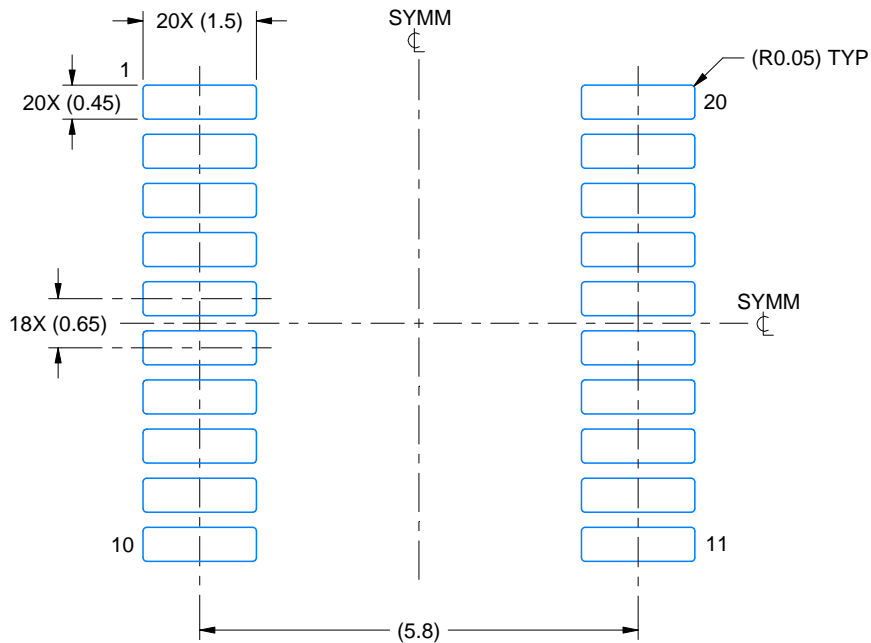


# EXAMPLE BOARD LAYOUT

PW0020A

TSSOP - 1.2 mm max height

SMALL OUTLINE PACKAGE



LAND PATTERN EXAMPLE  
EXPOSED METAL SHOWN  
SCALE: 10X



SOLDER MASK DETAILS

4220206/A 02/2017

NOTES: (continued)

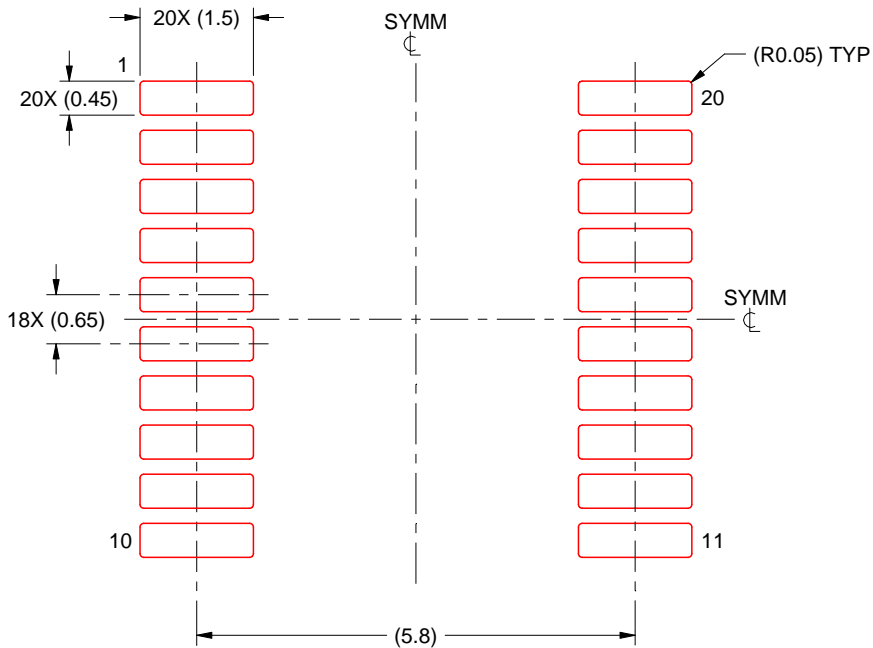
- 6. Publication IPC-7351 may have alternate designs.
- 7. Solder mask tolerances between and around signal pads can vary based on board fabrication site.

# EXAMPLE STENCIL DESIGN

PW0020A

TSSOP - 1.2 mm max height

SMALL OUTLINE PACKAGE



SOLDER PASTE EXAMPLE  
BASED ON 0.125 mm THICK STENCIL  
SCALE: 10X

4220206/A 02/2017

NOTES: (continued)

8. Laser cutting apertures with trapezoidal walls and rounded corners may offer better paste release. IPC-7525 may have alternate design recommendations.
9. Board assembly site may have different recommendations for stencil design.

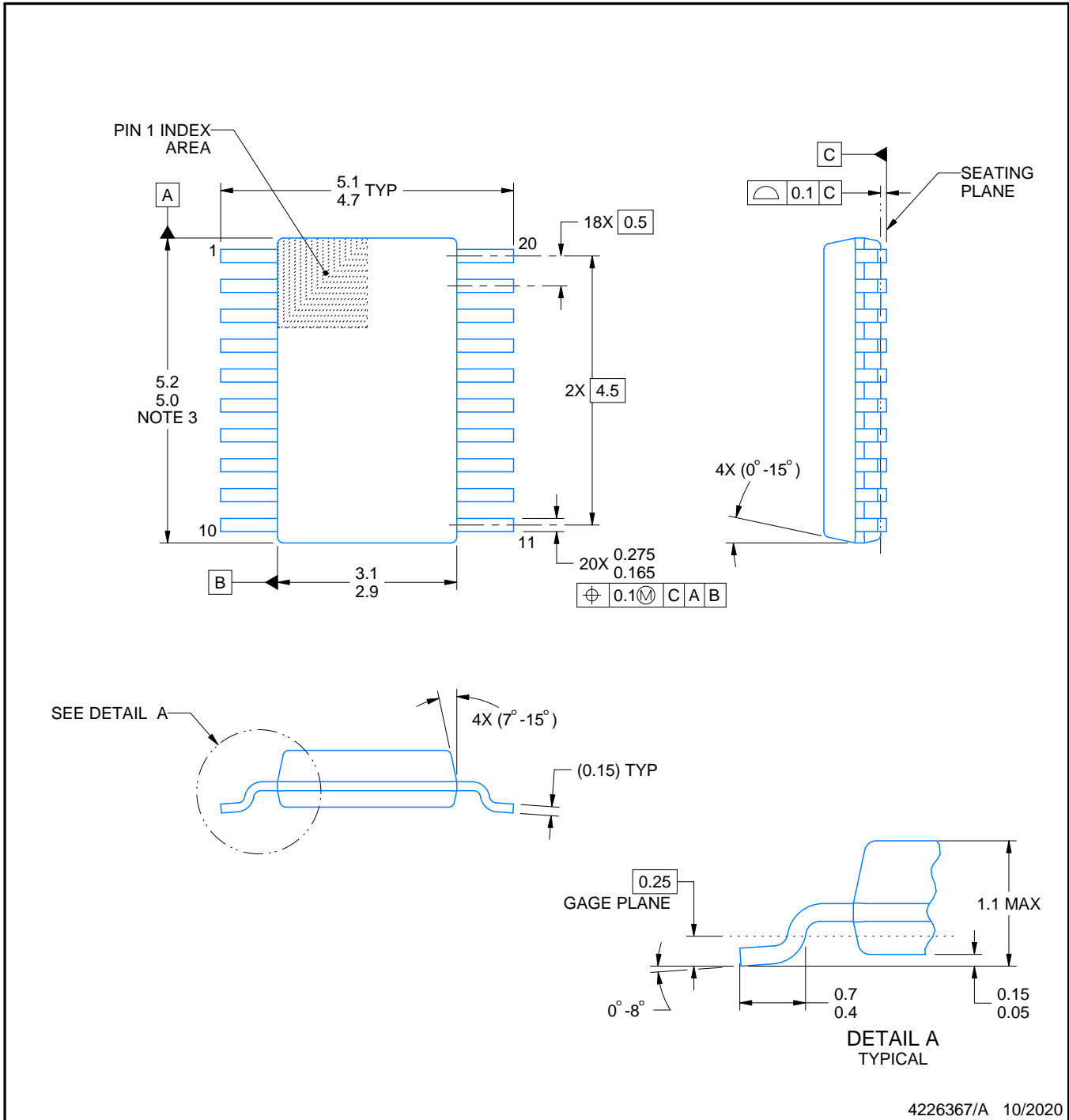
# DGS0020A



# PACKAGE OUTLINE

VSSOP - 1.1 mm max height

SMALL OUTLINE PACKAGE



4226367/A 10/2020

**NOTES:**

PowerPAD is a trademark of Texas Instruments.

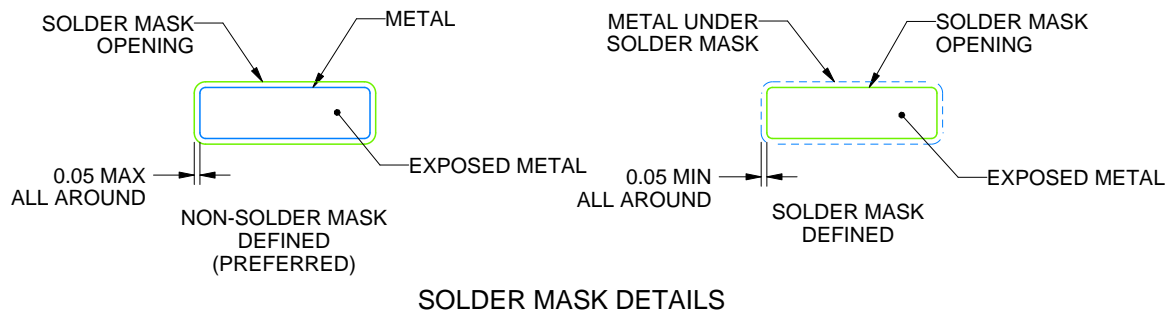
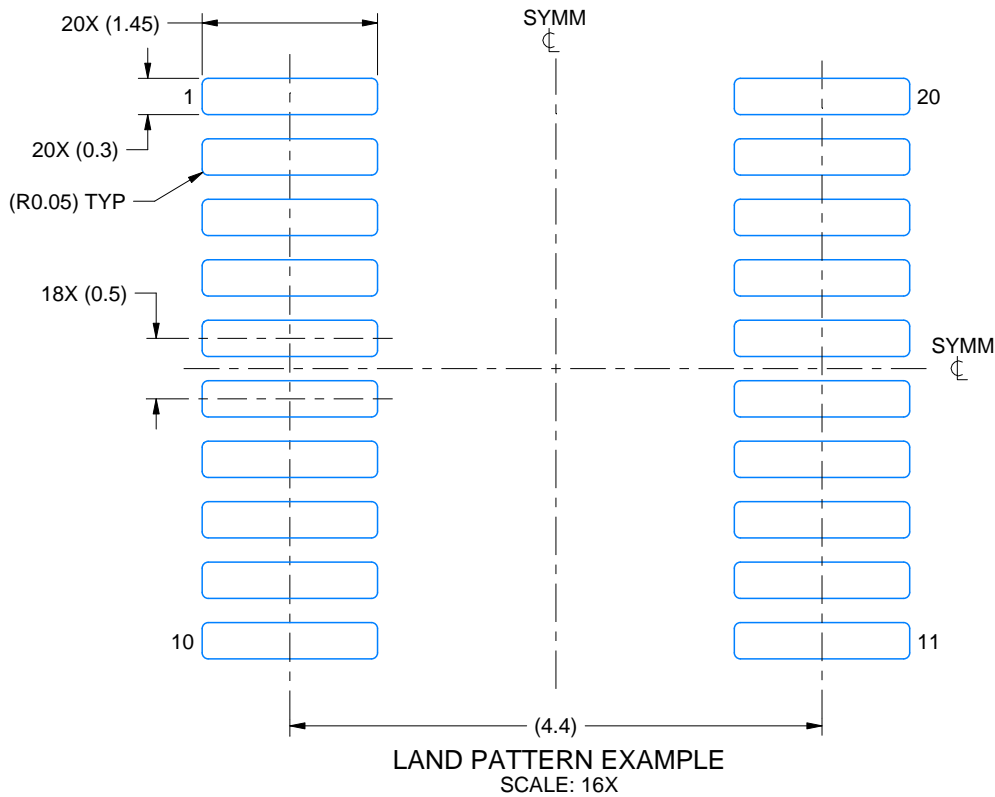
1. All linear dimensions are in millimeters. Any dimensions in parenthesis are for reference only. Dimensioning and tolerancing per ASME Y14.5M.
2. This drawing is subject to change without notice.
3. This dimension does not include mold flash, protrusions, or gate burrs. Mold flash, protrusions, or gate burrs shall not exceed 0.15 mm per side.
4. No JEDEC registration as of September 2020.
5. Features may differ or may not be present.

# EXAMPLE BOARD LAYOUT

DGS0020A

VSSOP - 1.1 mm max height

SMALL OUTLINE PACKAGE



4226367/A 10/2020

NOTES: (continued)

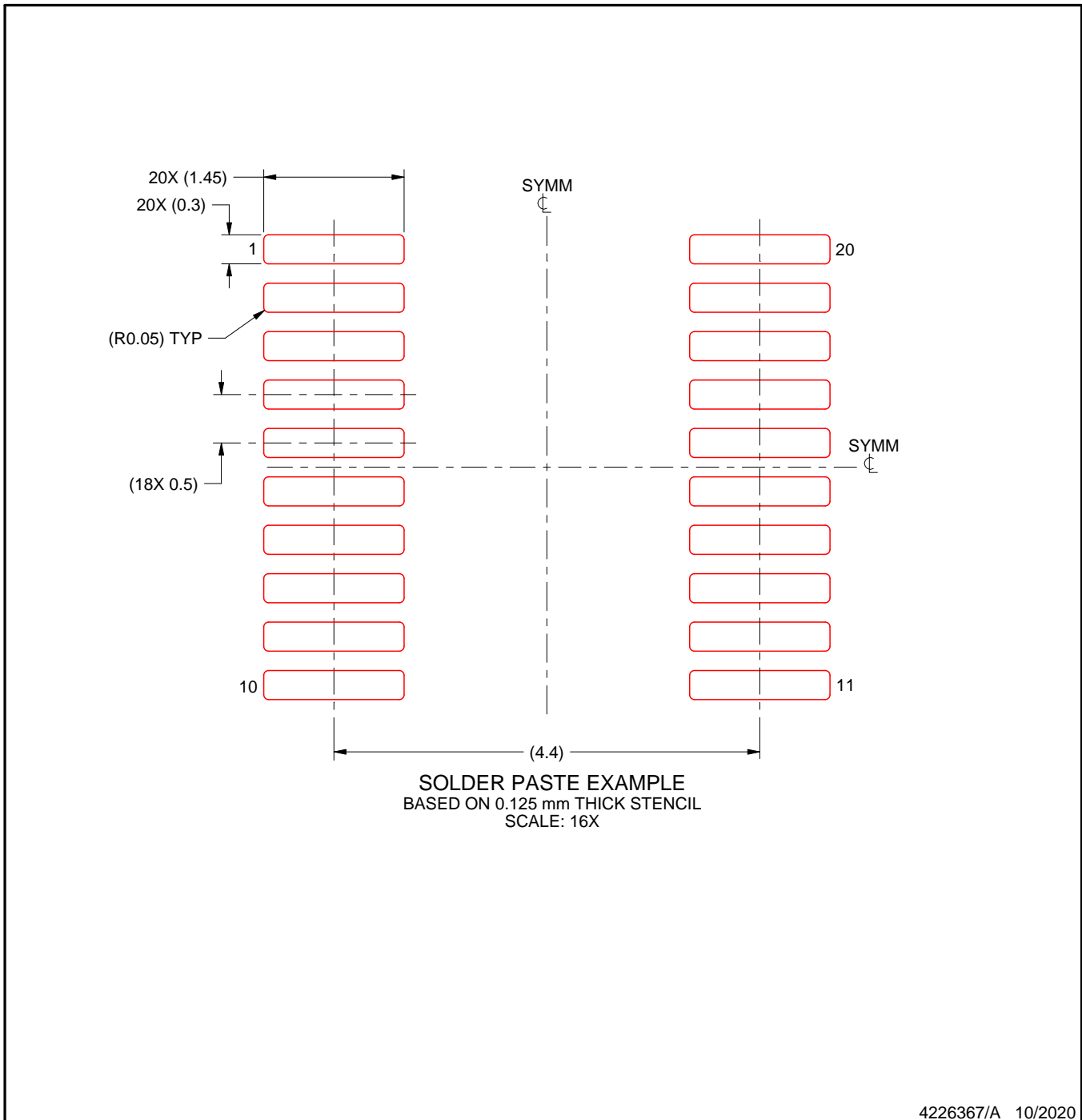
6. Publication IPC-7351 may have alternate designs.
7. Solder mask tolerances between and around signal pads can vary based on board fabrication site.
8. This package is designed to be soldered to a thermal pad on the board. For more information, see Texas Instruments literature numbers SLMA002 ([www.ti.com/lit/slma002](http://www.ti.com/lit/slma002)) and SLMA004 ([www.ti.com/lit/slma004](http://www.ti.com/lit/slma004)).
9. Size of metal pad may vary due to creepage requirement.
10. Vias are optional depending on application, refer to device data sheet. It is recommended that vias under paste be filled, plugged or tented.

# EXAMPLE STENCIL DESIGN

DGS0020A

VSSOP - 1.1 mm max height

SMALL OUTLINE PACKAGE



NOTES: (continued)

11. Laser cutting apertures with trapezoidal walls and rounded corners may offer better paste release. IPC-7525 may have alternate design recommendations.
12. Board assembly site may have different recommendations for stencil design.

## 重要通知和免责声明

TI“按原样”提供技术和可靠性数据（包括数据表）、设计资源（包括参考设计）、应用或其他设计建议、网络工具、安全信息和其他资源，不保证没有瑕疵且不做任何明示或暗示的担保，包括但不限于对适销性、与某特定用途的适用性或不侵犯任何第三方知识产权的暗示担保。

这些资源可供使用 TI 产品进行设计的熟练开发人员使用。您将自行承担以下全部责任：(1) 针对您的应用选择合适的 TI 产品，(2) 设计、验证并测试您的应用，(3) 确保您的应用满足相应标准以及任何其他安全、安保法规或其他要求。

这些资源如有变更，恕不另行通知。TI 授权您仅可将这些资源用于研发本资源所述的 TI 产品的相关应用。严禁以其他方式对这些资源进行复制或展示。您无权使用任何其他 TI 知识产权或任何第三方知识产权。对于因您对这些资源的使用而对 TI 及其代表造成的任何索赔、损害、成本、损失和债务，您将全额赔偿，TI 对此概不负责。

TI 提供的产品受 [TI 销售条款](#)、[TI 通用质量指南](#) 或 [ti.com](#) 上其他适用条款或 TI 产品随附的其他适用条款的约束。TI 提供这些资源并不会扩展或以其他方式更改 TI 针对 TI 产品发布的适用的担保或担保免责声明。除非德州仪器 (TI) 明确将某产品指定为定制产品或客户特定产品，否则其产品均为按确定价格收入目录的标准通用器件。

TI 反对并拒绝您可能提出的任何其他或不同的条款。

版权所有 © 2026，德州仪器 (TI) 公司

最后更新日期：2025 年 10 月