

TLx84xB 高性能电流模式 PWM 控制器

1 特性

- 低启动电流 ($< 0.5\text{mA}$)
- 修整的振荡器放电电流
- 500kHz 电流模式运行
- 自动前馈补偿
- 用于逐周期电流限制的锁存 PWM
- 具有欠压闭锁的内部修整基准
- 具有迟滞的高电流图腾柱输出欠压闭锁
- 双脉冲抑制

2 应用

- 任意极性的开关稳压器
- 变压器耦合直流/直流转换器

3 说明

TL284xB 和 TL384xB 系列控制集成电路提供了实现离线式或者直流到直流固定频率电流模式控制方案所需的功能，且只采用了极少的外部元件。内部实现的电路包括一个欠压闭锁 (UVLO) 和一个经过修整以在误差放大器输入端上提供高准确度的高精度基准。其它内部电路包括用于确保闭锁操作的逻辑电路、一个负责提供限流控制的脉宽调制 (PWM) 比较器，和一个专为供应或吸收高峰值电流而设计的图腾柱输出级。当输出级处于关闭状态时，适用于驱动 N 沟道 MOSFET 的输出级为低电平。

TL284xB 和 TL384xB 系列产品与标准 TL284x 和 TL384x 引脚兼容并具有下列改进。额定启动电流为 0.5mA (最大值)，同时振荡器放电电流被修整为 8.3 mA (典型值)。此外，在欠压锁定情况下，输出具有一个 1.2V 的最大饱和电压，同时吸收 10mA 的电流 ($V_{CC} = 5\text{V}$)。

这些系列的成员之间的主要差异是 UVLO 阈值及最大占空比范围。TLx842B 和 TLx844B 上的 16V (开启) 和 10V (关闭) 的典型 UVLO 阈值使得它们非常适合于离线应用。TLx843B 和 TLx845B 器件相应的典型阈值为 8.4V (开启) 和 7.6V (关闭)。TLx842B 和 TLx843B 器件可在占空比接近 100% 的情况下运行。借助于附加的内部切换触发器，TLx844B 和 TLx845B 可获得 0% 至 50% 的占空比范围，此附加的内部切换触发器可每隔一个时钟周期封锁输出。TL284xB 系列器件额定运行温度为 -40°C 至 85°C ；TL384xB 系列器件额定运行温度为 0°C 至 70°C 。

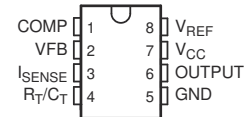
封装信息

器件型号	封装 ⁽¹⁾	封装尺寸 ⁽²⁾
TLx84x	D (SOIC, 8)	4.90mm × 6.00mm
	D (SOIC, 14)	8.65mm × 6.00mm
	P (PDIP, 8)	9.81mm × 9.43mm

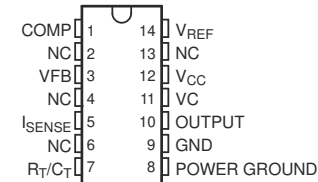
(1) 如需了解所有可用封装，请参阅数据表末尾的可订购产品附录。

(2) 封装尺寸 (长 × 宽) 为标称值，并包括引脚 (如适用)。

D (SOIC) OR P (PDIP) PACKAGE (TOP VIEW)



D (SOIC) PACKAGE (TOP VIEW)



NC - No internal connection

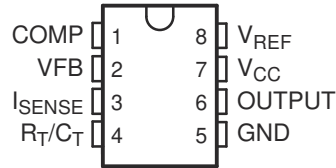


Table of Contents

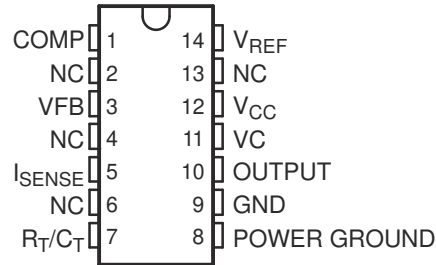
1 特性	1	5.12 Supply Voltage Electrical Characteristics.....	7
2 应用	1	5.13 Typical Characteristics.....	8
3 说明	1	6 Detailed Description	13
4 Pin Configuration and Functions	3	6.1 Functional Block Diagram.....	13
5 Specifications	4	7 Application and Implementation	14
5.1 Absolute Maximum Ratings.....	4	7.1 Application Information.....	14
5.2 ESD Ratings.....	4	7.2 Shutdown Technique.....	15
5.3 Recommended Operating Conditions.....	4	7.3 Open-Loop Laboratory Test Fixture.....	16
5.4 Thermal Information.....	5	7.4 Typical Application.....	16
5.5 Reference Section Electrical Characteristics.....	5	8 Device and Documentation Support	17
5.6 Oscillator Section Electrical Characteristics.....	5	8.1 Related Links.....	17
5.7 Error-Amplifier Section Electrical Characteristics.....	6	8.2 Trademarks.....	17
5.8 Current-Sense Section Electrical Characteristics.....	6	8.3 静电放电警告.....	17
5.9 Output Section Electrical Characteristics.....	7	8.4 术语表.....	17
5.10 Undervoltage-Lockout Section Electrical Characteristics.....	7	9 Revision History	17
5.11 Pulse-Width Modulator Section Electrical Characteristics.....	7	10 Mechanical, Packaging, and Orderable Information	18

4 Pin Configuration and Functions

**D (SOIC) OR P (PDIP) PACKAGE
(TOP VIEW)**



**D (SOIC) PACKAGE
(TOP VIEW)**



NC – No internal connection

PIN			Type ⁽¹⁾	DESCRIPTION
NAME	D (14 pins)	D or P (8 pins)		
COMP	1	1	I/O	Error amplifier compensation pin
GND	9	5	-	Device power supply ground terminal
ISENSE	5	3	I	Current sense comparator input
NC	2, 4, 6, 13	-	-	Do not connect
OUTPUT	10	6	O	PWM Output
POWER GROUND	8	-	-	Output PWM ground terminal
REF	14	8	O	Oscillator voltage reference
RT/CT	7	4	I/O	Oscillator RC input
VC	11	-	-	Output PWM positive voltage supply
VCC	12	7	-	Device positive voltage supply
VFB	3	2	I	Error amplifier input

(1) I = Input; O = Output; I/O = Input or Output

5 Specifications

5.1 Absolute Maximum Ratings

over operating free-air temperature range (unless otherwise noted) ⁽¹⁾ ⁽²⁾

		MIN	MAX	UNIT	
V _{CC}	Supply voltage	Low impedance source	30	V	
		I _{CC} < 30 mA	Self limiting		
V _I	Analog input voltage range	VFB and I _{SENSE}	- 0.3	6.3	V
I _{CC}	Supply current		30		mA
I _O	Output current		±1		A
I _{O(sink)}	Error amplifier output sink current		10		mA
	Output energy	Capacitive load	5		μ J
T _J	Virtual junction temperature		150		°C
T _{stg}	Storage temperature range		- 65	150	°C

- (1) Operation outside the *Absolute Maximum Ratings* may cause permanent device damage. *Absolute Maximum Ratings* do not imply functional operation of the device at these or any other conditions beyond those listed under *Recommended Operating Conditions*. If used outside the *Recommended Operating Conditions* but within the *Absolute Maximum Ratings*, the device may not be fully functional, and this may affect device reliability, functionality, performance, and shorten the device lifetime.
- (2) All voltages are with respect to the device GND terminal.

5.2 ESD Ratings

		VALUE	UNIT	
V _(ESD)	Electrostatic discharge	Human body model (HBM), per ANSI/ESDA/JEDEC JS-001, all pins ⁽¹⁾	±3000	V
		Charged device model (CDM), per JEDEC specification JESD22-C101, all pins ⁽²⁾	±2000	

- (1) JEDEC document JEP155 states that 500-V HBM allows safe manufacturing with a standard ESD control process.
- (2) JEDEC document JEP157 states that 250-V CDM allows safe manufacturing with a standard ESD control process.

5.3 Recommended Operating Conditions

		MIN	NOM	MAX	UNIT
V _{CC}	Supply voltage	V _{CC}		30	V
		V _C ⁽¹⁾		30	
V _I	Input voltage	R _T /C _T	0	5.5	V
		VFB and I _{SENSE}	0	5.5	
V _O	Output voltage	OUTPUT	0	30	V
		POWER GROUND ⁽¹⁾	- 0.1	1	
I _{CC}	Supply current, externally limited			25	mA
I _O	Average output current			200	mA
I _{O(ref)}	Reference output current			- 20	mA
f _{osc}	Oscillator frequency		100	500	kHz
T _J	Operating free-air temperature	TL284xB	- 40	85	°C
		TL384xB	0	70	

- (1) The recommended voltages for V_C and POWER GROUND apply only to the 14-pin D package.

5.4 Thermal Information

THERMAL METRIC ⁽¹⁾	TLx84xB			UNIT
	D	P	D	
	8 PINS	8 PINS	14 PINS	
$R_{\theta JA}$ Junction-to-ambient thermal resistance	117.4	74.1	87.9	°C/W

(1) For more information about traditional and new thermal metrics, see the [Semiconductor and IC Package Thermal Metrics](#) application note.

5.5 Reference Section Electrical Characteristics

$V_{CC} = 15\text{ V}^{(1)}$, $R_T = 10\text{ k}\Omega$, $C_T = 3.3\text{ nF}$, over recommended operating free-air temperature range (unless otherwise specified)

PARAMETER	TEST CONDITIONS	TL284xB			TL384xB			UNIT
		MIN	TYP ⁽²⁾	MAX	MIN	TYP ⁽²⁾	MAX	
Output voltage	$I_O = 1\text{ mA}$, $T_J = 25^\circ\text{C}$	4.95	5	5.05	4.9	5	5.1	V
Line regulation	$V_{CC} = 12\text{ V to }25\text{ V}$		6	20		6	20	mV
Load regulation	$I_O = 1\text{ mA to }20\text{ mA}$		6	25		6	25	mV
Average temperature coefficient of output voltage			0.2	0.4		0.2	0.4	mV/°C
Output voltage, worst-case variation	$V_{CC} = 12\text{ V to }25\text{ V}$, $I_O = 1\text{ mA to }20\text{ mA}$		4.9	5.1		4.82	5.18	V
Output noise voltage	$f = 10\text{ Hz to }10\text{ kHz}$, $T_J = 25^\circ\text{C}$		50			50		μV
Output-voltage long-term drift	After 1000 h at $T_J = 25^\circ\text{C}$		5	25		5	25	mV
Short-circuit output current		-30	-100	-180	-30	-100	-180	mA

(1) Adjust V_{CC} above the start threshold before setting V_{CC} to 15 V.

(2) All typical values are at $T_J = 25^\circ\text{C}$.

5.6 Oscillator Section Electrical Characteristics

$V_{CC} = 15\text{ V}^{(1)}$, $R_T = 10\text{ k}\Omega$, $C_T = 3.3\text{ nF}$, over recommended operating free-air temperature range (unless otherwise specified)
(3)

PARAMETER	TEST CONDITIONS	TL284xB			TL384xB			UNIT
		MIN	TYP ⁽²⁾	MAX	MIN	TYP ⁽²⁾	MAX	
Initial accuracy	$T_J = 25^\circ\text{C}$	47	52	57	47	52	57	kHz
	$T_A = T_{low}\text{ to }T_{high}$		44	60		44	60	
	$T_J = 25^\circ\text{C}$, $R_T = 6.2\text{ k}\Omega$, $C_T = 1\text{ nF}$	225	250	275	225	250	275	
Voltage stability	$V_{CC} = 12\text{ V to }25\text{ V}$		0.2	1		0.2	1	%
Temperature stability			5			5		%
Amplitude	Peak to peak		1.7			1.7		V
Discharge current	$T_J = 25^\circ\text{C}$, $R_T/C_T = 2\text{ V}$	7.8	8.3	8.8	7.8	8.3	8.8	mA
	$R_T/C_T = 2\text{ V}$		7.5	8.8		7.6	8.8	

(1) Adjust V_{CC} above the start threshold before setting it to 15 V.

(2) All typical values are at $T_J = 25^\circ\text{C}$.

(3) Output frequency equals oscillator frequency for the TL3842B and TL3843B. Output frequency is one-half the oscillator frequency for the TL3844B and TL3845B.

5.7 Error-Amplifier Section Electrical Characteristics

$V_{CC} = 15\text{ V}^{(1)}$, $R_T = 10\text{ k}\Omega$, $C_T = 3.3\text{ nF}$, over recommended operating free-air temperature range (unless otherwise specified)

PARAMETER	TEST CONDITIONS	TL284xB			TL384xB			UNIT
		MIN	TYP ⁽²⁾	MAX	MIN	TYP ⁽²⁾	MAX	
Feedback input voltage	COMP = 2.5 V	2.45	2.5	2.55	2.42	2.5	2.58	V
Input bias current			- 0.3	- 1		- 0.3	- 2	$\mu\text{ A}$
Open-loop voltage amplification	$V_O = 2\text{ V to }4\text{ V}$	65	90		65	90		dB
Gain-bandwidth product		0.7	1		0.7	1		MHz
Supply-voltage rejection ratio	$V_{CC} = 12\text{ V to }25\text{ V}$	60	70		60	70		dB
Output sink current	VFB = 2.7 V, COMP = 1.1 V	2	6		2	6		mA
Output source current	VFB = 2.3 V, COMP = 5 V	- 0.5	- 0.8		- 0.5	- 0.8		mA
High-level output voltage	VFB = 2.3 V, $R_L = 15\text{ k}\Omega\text{ to GND}$	5	6		5	6		V
Low-level output voltage	VFB = 2.7 V, $R_L = 15\text{ k}\Omega\text{ to GND}$		0.7	1.1		0.7	1.1	V

(1) Adjust V_{CC} above the start threshold before setting it to 15 V.

(2) All typical values are at $T_J = 25^\circ\text{C}$.

5.8 Current-Sense Section Electrical Characteristics

$V_{CC} = 15\text{ V}^{(4)}$, $R_T = 10\text{ k}\Omega$, $C_T = 3.3\text{ nF}$, over recommended operating free-air temperature range (unless otherwise specified)

PARAMETER	TEST CONDITIONS	TL284xB			TL384xB			UNIT
		MIN	TYP ⁽¹⁾	MAX	MIN	TYP ⁽¹⁾	MAX	
Voltage amplification ^{(2) (3)}		2.85	3	3.15	2.85	3	3.15	V/V
Current-sense comparator threshold ⁽²⁾	COMP = 5 V	0.9	1	1.1	0.9	1	1.1	V
Supply-voltage rejection ratio ⁽²⁾	$V_{CC} = 12\text{ V to }25\text{ V}$		70			70		dB
Input bias current			- 2	- 10		- 2	- 10	$\mu\text{ A}$
Delay time to output	VFB = 0 V to 2 V		150	300		150	300	ns

(1) All typical values are at $T_J = 25^\circ\text{C}$.

(2) Measured at the trip point of the latch, with VFB at 0 V.

(3) Measured between I_{SENSE} and COMP, with the input changing from 0 V to 0.8 V.

(4) Adjust V_{CC} above the start threshold before setting V_{CC} to 15 V.

5.9 Output Section Electrical Characteristics

$V_{CC} = 15\text{ V}^{(2)}$, $R_T = 10\text{ k}\Omega$, $C_T = 3.3\text{ nF}$, over recommended operating free-air temperature range (unless otherwise specified)

PARAMETER	TEST CONDITIONS	TL284xB			TL384xB			UNIT
		MIN	TYP ⁽¹⁾	MAX	MIN	TYP ⁽¹⁾	MAX	
High-level output voltage	$I_{OH} = -20\text{ mA}$	13	13.5		13	13.5		V
	$I_{OH} = -200\text{ mA}$	12	13.5		12	13.5		
Low-level output voltage	$I_{OL} = 20\text{ mA}$		0.1	0.4		0.1	0.4	V
	$I_{OL} = 200\text{ mA}$		1.5	2.2		1.5	2.2	
Rise time	$C_L = 1\text{ nF}$, $T_J = 25^\circ\text{C}$		25	150		25	150	ns
Fall time	$C_L = 1\text{ nF}$, $T_J = 25^\circ\text{C}$		25	150		25	150	ns
UVLO saturation	$V_{CC} = 5\text{ V}$, $I_{OL} = 1\text{ mA}$		0.7	1.2		0.7	1.2	V

(1) All typical values are at $T_J = 25^\circ\text{C}$.

(2) Adjust V_{CC} above the start threshold before setting V_{CC} to 15 V.

5.10 Undervoltage-Lockout Section Electrical Characteristics

$V_{CC} = 15\text{ V}^{(2)}$, $R_T = 10\text{ k}\Omega$, $C_T = 3.3\text{ nF}$, over recommended operating free-air temperature range (unless otherwise specified)

PARAMETER	TEST CONDITIONS	TL284xB			TL384xB			UNIT
		MIN	TYP ⁽¹⁾	MAX	MIN	TYP ⁽¹⁾	MAX	
Start threshold voltage	TLx842B, TLx844B	15	16	17	14.5	16	17.5	V
	TLx843B, TLx845B	7.8	8.4	9	7.8	8.4	9	
Minimum operating voltage after start-up	TLx842B, TLx844B	9	10	11	8.5	10	11.5	V
	TLx843B, TLx845B	7	7.6	8.2	7	7.6	8.2	

(1) All typical values are at $T_J = 25^\circ\text{C}$.

(2) Adjust V_{CC} above the start threshold before setting V_{CC} to 15 V.

5.11 Pulse-Width Modulator Section Electrical Characteristics

$V_{CC} = 15\text{ V}^{(2)}$, $R_T = 10\text{ k}\Omega$, $C_T = 3.3\text{ nF}$, over recommended operating free-air temperature range (unless otherwise specified)

PARAMETER	TEST CONDITIONS	TL284xB			TL384xB			UNIT
		MIN	TYP ⁽¹⁾	MAX	MIN	TYP ⁽¹⁾	MAX	
Maximum duty cycle	TLx842B, TLx843B	92	96	100	92	96	100	%
	TLx844B, TLx845B	46	48	50	46	48	50	
Minimum duty cycle				0			0	%

(1) All typical values are at $T_J = 25^\circ\text{C}$.

(2) Adjust V_{CC} above the start threshold before setting it to 15 V.

5.12 Supply Voltage Electrical Characteristics

$V_{CC} = 15\text{ V}^{(2)}$, $R_T = 10\text{ k}\Omega$, $C_T = 3.3\text{ nF}$, over recommended operating free-air temperature range (unless otherwise specified)

PARAMETER	TEST CONDITIONS	TL284xB			TL384xB			UNIT
		MIN	TYP ⁽¹⁾	MAX	MIN	TYP ⁽¹⁾	MAX	
Start-up current			0.3	0.5		0.3	0.5	mA
Operating supply current	VFB and I_{SENSE} at 0 V		11	17		11	17	mA
Limiting voltage	$I_{CC} = 25\text{ mA}$	30	39		30	39		V

(1) All typical values are at $T_J = 25^\circ\text{C}$.

(2) Adjust V_{CC} above the start threshold before setting it to 15 V.

5.13 Typical Characteristics

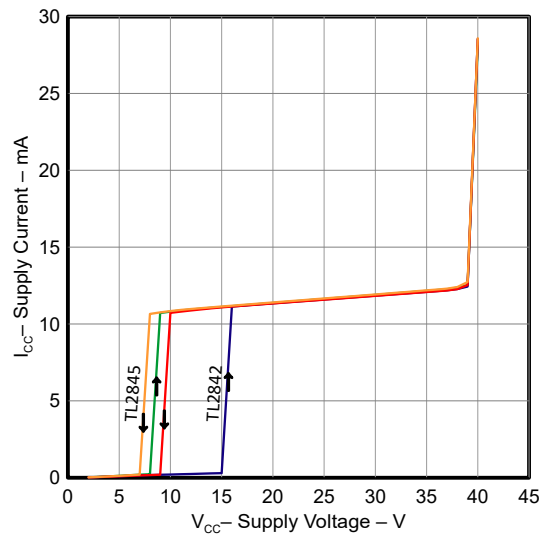


图 5-1. Supply Current vs Supply Voltage

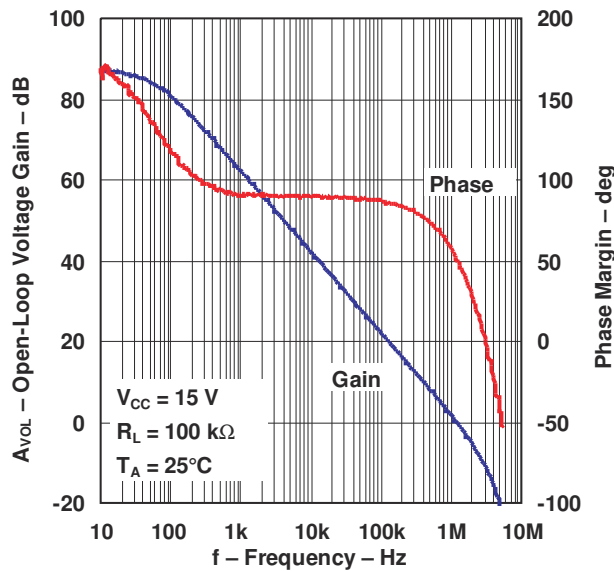


图 5-2. Error Amplifier Open-Loop Gain And Phase vs Frequency

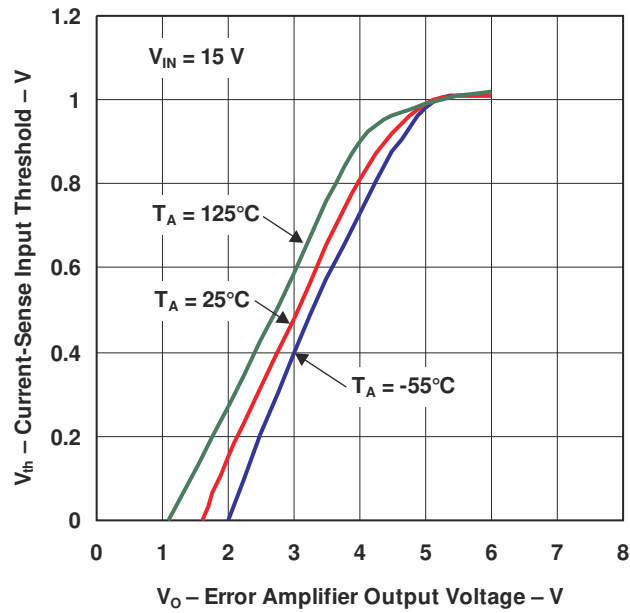


图 5-3. Current-Sense Input Threshold vs Error Amplifier Output Voltage

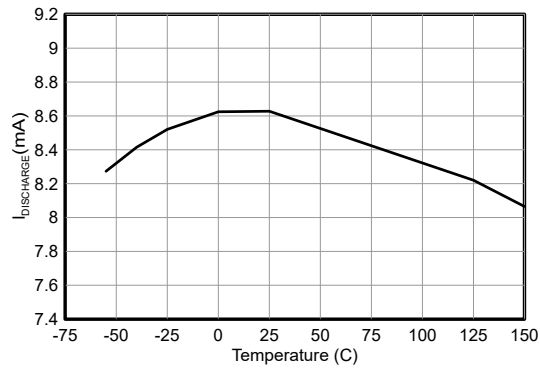


图 5-4. Oscillator Discharge Current vs Temperature

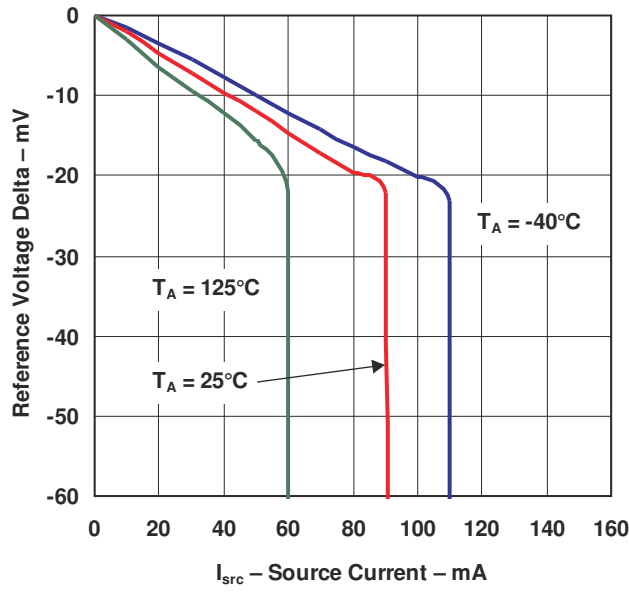


图 5-5. Reference Voltage vs Source Current

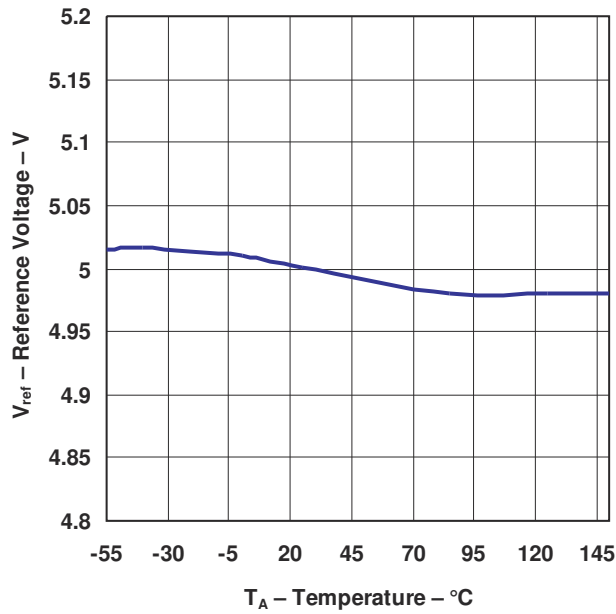


图 5-6. Reference Voltage vs Temperature

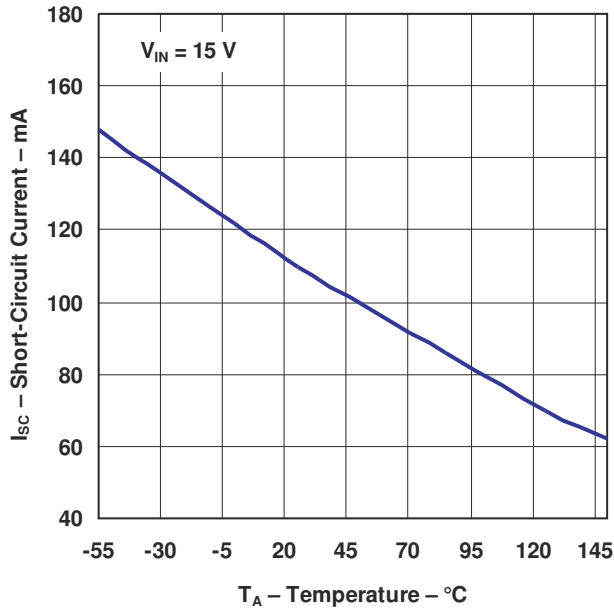


图 5-7. Reference Short-Circuit Current vs Temperature

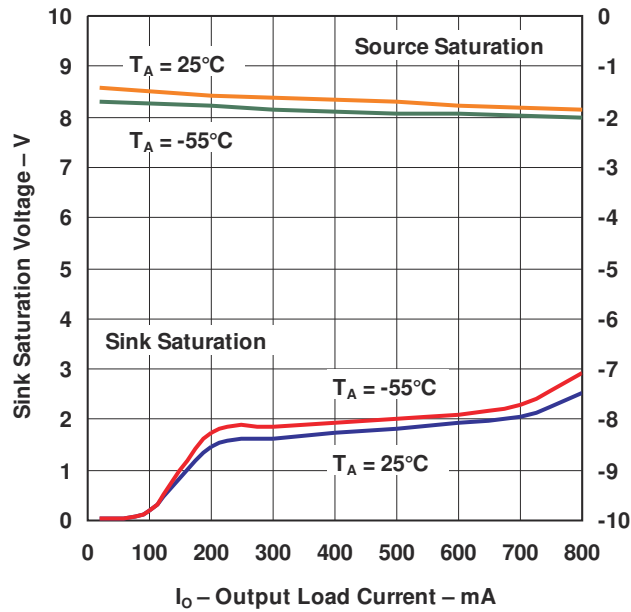


图 5-8. Output Saturation Voltage vs Load Current

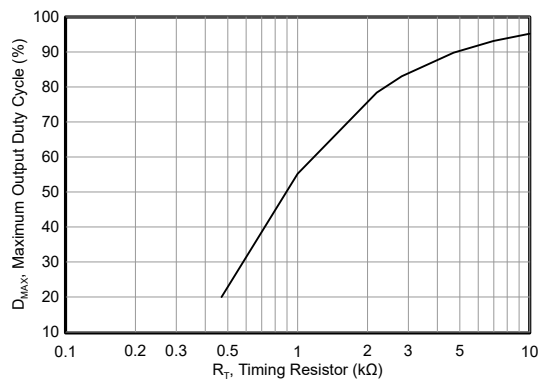
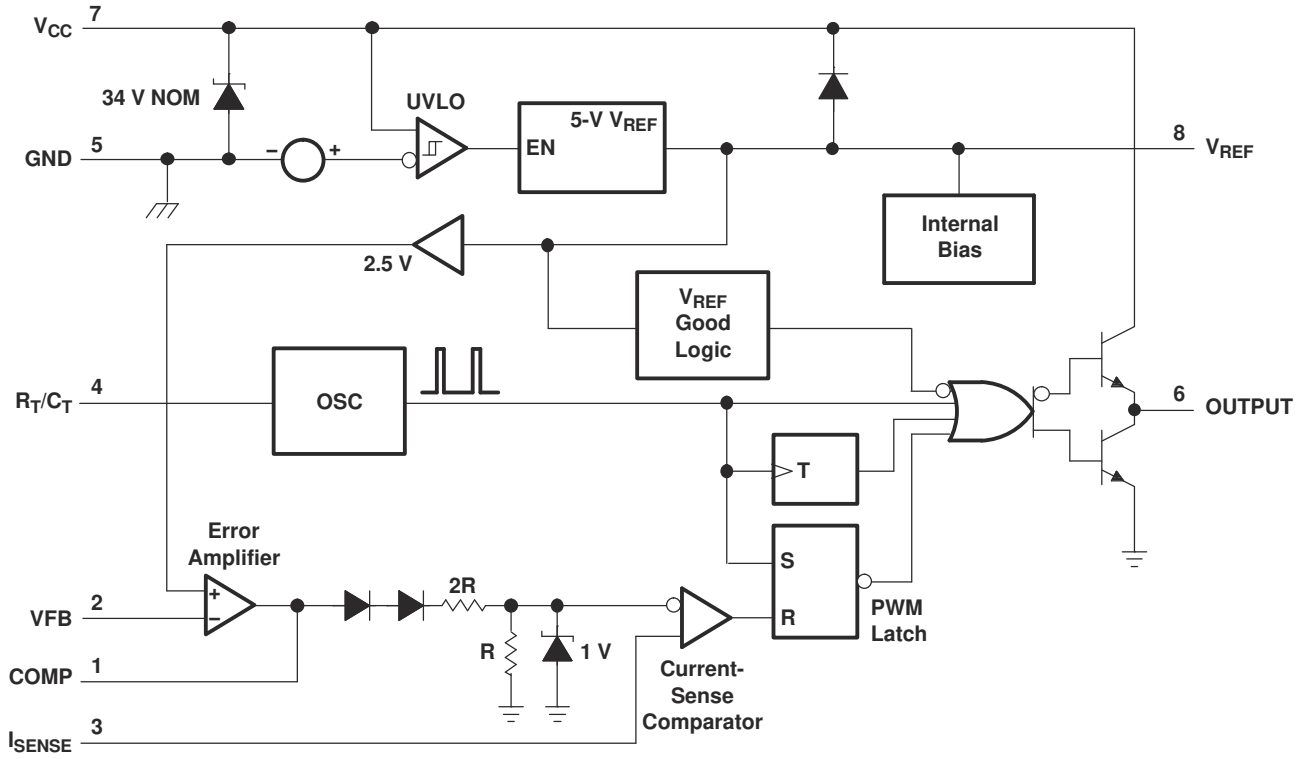


图 5-9. Maximum Output Duty Cycle vs Timing Resistor

6 Detailed Description

6.1 Functional Block Diagram



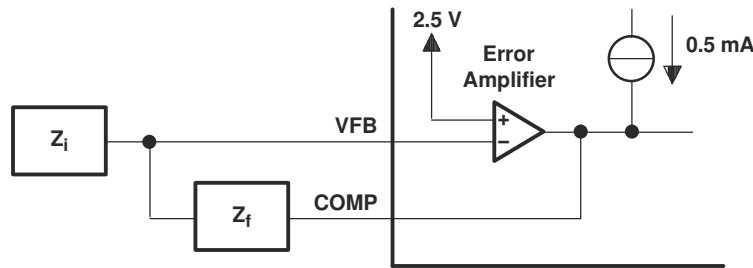
7 Application and Implementation

备注

以下应用部分中的信息不属于 TI 器件规格的范围，TI 不担保其准确性和完整性。TI 的客户应负责确定器件是否适用于其应用。客户应验证并测试其设计，以确保系统功能。

7.1 Application Information

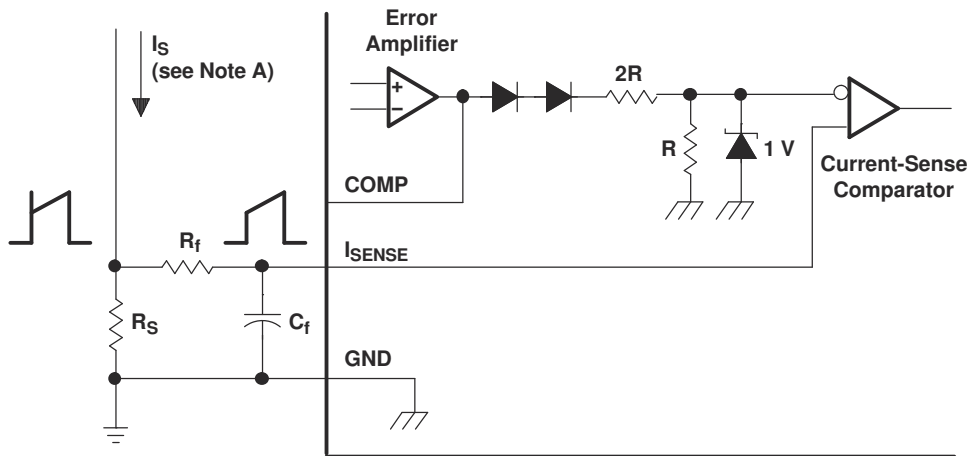
The error-amplifier configuration circuit is shown in 图 7-1.



A. Error amplifier can source or sink up to 0.5 mA.

图 7-1. Error-Amplifier Configuration

The current-sense circuit is shown in 图 7-2.



A. Peak current (I_S) is determined by the formula: $I_{S(max)} = 1 V/R_S$

B. A small RC filter formed by resistor R_f and capacitor C_f may be required to suppress switch transients.

图 7-2. Current-Sense Circuit

The oscillator frequency is set using the circuit shown in 图 7-3. The frequency is calculated as:

$$f = 1 / R_T C_T$$

For $R_T > 5 \text{ k}\Omega$:

$$f \approx 1.72 / R_T C_T$$

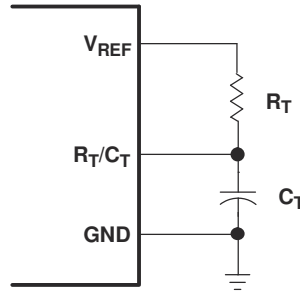


图 7-3. Oscillator Section

7.2 Shutdown Technique

The PWM controller (see 图 7-4) can be shut down by two methods: either raise the voltage at I_{SENSE} above 1 V or pull the COMP terminal below a voltage two diode drops above ground. Either method causes the output of the PWM comparator to be high (refer to block diagram). The PWM latch is reset dominant so that the output remains low until the next clock cycle after the shutdown condition at the COMP or I_{SENSE} terminal is removed. In one example, an externally latched shutdown can be accomplished by adding an SCR that resets by cycling V_{CC} below the lower UVLO threshold. At this point, the reference turns off, allowing the SCR to reset.

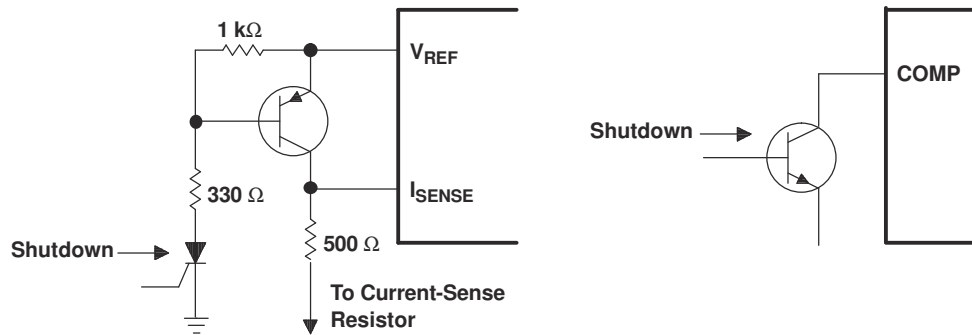


图 7-4. Shutdown Techniques

A fraction of the oscillator ramp can be summed resistively with the current-sense signal to provide slope compensation for converters requiring duty cycles over 50% (see 图 7-5). Note that capacitor C forms a filter with R2 to suppress the leading-edge switch spikes.

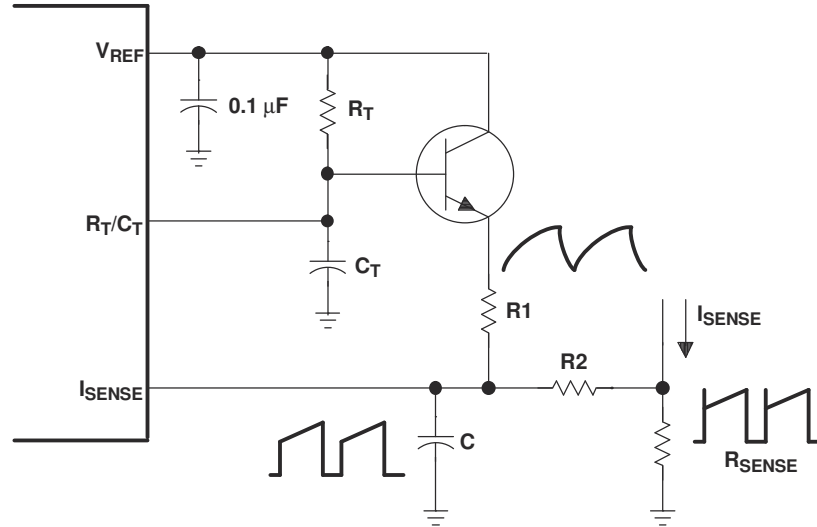


图 7-5. Slope Compensation

7.3 Open-Loop Laboratory Test Fixture

In the open-loop laboratory test fixture (see 图 7-6), high peak currents associated with loads necessitate careful grounding techniques. Timing and bypass capacitors should be connected close to the GND terminal in a single-point ground. The transistor and 5-kΩ potentiometer sample the oscillator waveform and apply an adjustable ramp to the I_{SENSE} terminal.

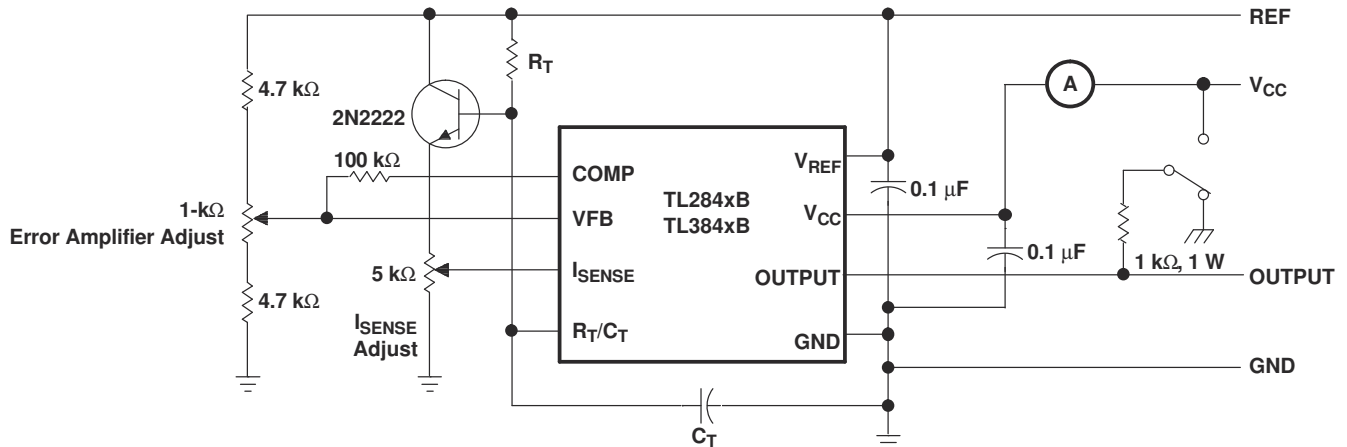
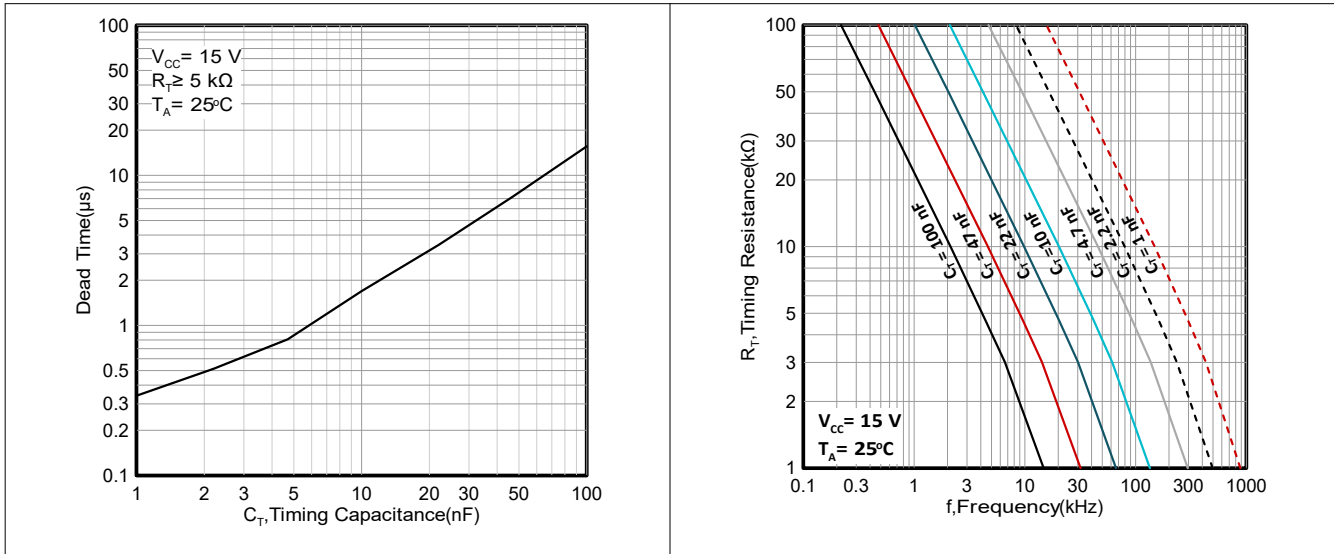


图 7-6. Open-Loop Laboratory Test Fixture

7.4 Typical Application

7.4.1 Application Curves



8 Device and Documentation Support

8.1 Related Links

The table below lists quick access links. Categories include technical documents, support and community resources, tools and software, and quick access to sample or buy.

表 8-1. Related Links

PARTS	PRODUCT FOLDER	SAMPLE & BUY	TECHNICAL DOCUMENTS	TOOLS & SOFTWARE	SUPPORT & COMMUNITY
TL284xB	Click here	Click here	Click here	Click here	Click here
TL384xB	Click here	Click here	Click here	Click here	Click here

8.2 Trademarks

所有商标均为其各自所有者的财产。

8.3 静电放电警告



静电放电 (ESD) 会损坏这个集成电路。德州仪器 (TI) 建议通过适当的预防措施处理所有集成电路。如果不遵守正确的处理和安装程序，可能会损坏集成电路。

ESD 的损坏小至导致微小的性能降级，大至整个器件故障。精密的集成电路可能更容易受到损坏，这是因为非常细微的参数更改都可能会导致器件与其发布的规格不相符。

8.4 术语表

TI 术语表

本术语表列出并解释了术语、首字母缩略词和定义。

9 Revision History

Changes from Revision B (July, 2007) to Revision C (October, 2024)

Page

- 更新了整个文档中的表格、图和交叉参考的编号格式..... 1
- Changed ESD ratings, CDM rating from $\pm 3000\text{V}$ to $\pm 2000\text{V}$ 4
- Changed thermal information for D-8, D-14, and P-8 packages..... 5

- Changed Electrical Char. table, TOTAL STANDBY CURRENT, VCC Zener voltage, typical value from 34V to 39V..... 5
- Changed in Electrical Char. table, Oscillator Section: at Tj=25C, min. value from 49kHz to 47kHz, max. value from 55kHz to 57kHz..... 5
- Changed in Electrical Char. table, Oscillator Section: at TA=Tlow to Thigh, min. value from 48kHz to 44kHz, max. value from 56kHz to 60kHz..... 5
- Changed in Electrical Char. table, OUTPUT Section: Rise and fall time, typical value from 50ns to 25ns..... 7
- Changed in Electrical Char. table, PWM: maximum duty cycle of TLx842/3B, minimum value from 94% to 92%..... 7
- Changed in Electrical Char. table, PWM: maximum duty cycle of TLx844/5B, minimum value from 47% to 46%..... 7
- Changed Part numbers edited..... 7
- Updated the *Typical Characteristics* graphs for $I_{discharge}$ and T_a , $I_{VCC-V_{CC}}$, and D_{max} and R_t 8
- Updated Application Curves for tdeadtime-Ct and Rt-f..... 17

10 Mechanical, Packaging, and Orderable Information

The following pages include mechanical, packaging, and orderable information. This information is the most current data available for the designated devices. This data is subject to change without notice and revision of this document. For browser-based versions of this data sheet, refer to the left-hand navigation.

PACKAGING INFORMATION

Orderable part number	Status (1)	Material type (2)	Package Pins	Package qty Carrier	RoHS (3)	Lead finish/ Ball material (4)	MSL rating/ Peak reflow (5)	Op temp (°C)	Part marking (6)
TL2842BD	Obsolete	Production	SOIC (D) 14	-	-	Call TI	Call TI	-40 to 85	TL2842B
TL2842BD-8	Obsolete	Production	SOIC (D) 8	-	-	Call TI	Call TI	-40 to 85	2842B
TL2842BDR	Active	Production	SOIC (D) 14	2500 LARGE T&R	Yes	NIPDAU	Level-1-260C-UNLIM	-40 to 85	TL2842B
TL2842BDR-8	Active	Production	SOIC (D) 8	2500 LARGE T&R	Yes	NIPDAU	Level-1-260C-UNLIM	-40 to 85	2842B
TL2842BDR-8.A	Active	Production	SOIC (D) 8	2500 LARGE T&R	Yes	NIPDAU	Level-1-260C-UNLIM	-40 to 85	2842B
TL2842BDR.A	Active	Production	SOIC (D) 14	2500 LARGE T&R	Yes	NIPDAU	Level-1-260C-UNLIM	-40 to 85	TL2842B
TL2842BP	Active	Production	PDIP (P) 8	50 TUBE	Yes	NIPDAU	N/A for Pkg Type	-40 to 85	TL2842BP
TL2842BP.A	Active	Production	PDIP (P) 8	50 TUBE	Yes	NIPDAU	N/A for Pkg Type	-40 to 85	TL2842BP
TL2843BD	Obsolete	Production	SOIC (D) 14	-	-	Call TI	Call TI	-40 to 85	TL2843B
TL2843BD-8	Obsolete	Production	SOIC (D) 8	-	-	Call TI	Call TI	-40 to 85	2843B
TL2843BDR	Active	Production	SOIC (D) 14	2500 LARGE T&R	Yes	NIPDAU	Level-1-260C-UNLIM	-40 to 85	TL2843B
TL2843BDR-8	Active	Production	SOIC (D) 8	2500 LARGE T&R	Yes	NIPDAU	Level-1-260C-UNLIM	-40 to 85	2843B
TL2843BDR-8.A	Active	Production	SOIC (D) 8	2500 LARGE T&R	Yes	NIPDAU	Level-1-260C-UNLIM	-40 to 85	2843B
TL2843BDR.A	Active	Production	SOIC (D) 14	2500 LARGE T&R	Yes	NIPDAU	Level-1-260C-UNLIM	-40 to 85	TL2843B
TL2843BDRG4-8	Active	Production	SOIC (D) 8	2500 LARGE T&R	Yes	NIPDAU	Level-1-260C-UNLIM	-40 to 85	2843B
TL2843BP	Active	Production	PDIP (P) 8	50 TUBE	Yes	NIPDAU	N/A for Pkg Type	-40 to 85	TL2843BP
TL2843BP.A	Active	Production	PDIP (P) 8	50 TUBE	Yes	NIPDAU	N/A for Pkg Type	-40 to 85	TL2843BP
TL2844BD-8	Obsolete	Production	SOIC (D) 8	-	-	Call TI	Call TI	-40 to 85	2844B
TL2844BDR	Active	Production	SOIC (D) 14	2500 LARGE T&R	Yes	NIPDAU	Level-1-260C-UNLIM	-40 to 85	TL2844B
TL2844BDR-8	Active	Production	SOIC (D) 8	2500 LARGE T&R	Yes	NIPDAU	Level-1-260C-UNLIM	-40 to 85	2844B
TL2844BDR-8.A	Active	Production	SOIC (D) 8	2500 LARGE T&R	Yes	NIPDAU	Level-1-260C-UNLIM	-40 to 85	2844B
TL2844BDR.A	Active	Production	SOIC (D) 14	2500 LARGE T&R	Yes	NIPDAU	Level-1-260C-UNLIM	-40 to 85	TL2844B
TL2844BDRG4-8	Active	Production	SOIC (D) 8	2500 LARGE T&R	Yes	NIPDAU	Level-1-260C-UNLIM	-40 to 85	2844B
TL2845BD	Obsolete	Production	SOIC (D) 14	-	-	Call TI	Call TI	-40 to 85	TL2845B
TL2845BD-8	Obsolete	Production	SOIC (D) 8	-	-	Call TI	Call TI	-40 to 85	2845B
TL2845BDR	Active	Production	SOIC (D) 14	2500 LARGE T&R	Yes	NIPDAU	Level-1-260C-UNLIM	-40 to 85	TL2845B
TL2845BDR-8	Active	Production	SOIC (D) 8	2500 LARGE T&R	Yes	NIPDAU	Level-1-260C-UNLIM	-40 to 85	2845B
TL2845BDR-8.A	Active	Production	SOIC (D) 8	2500 LARGE T&R	Yes	NIPDAU	Level-1-260C-UNLIM	-40 to 85	2845B
TL2845BDR.A	Active	Production	SOIC (D) 14	2500 LARGE T&R	Yes	NIPDAU	Level-1-260C-UNLIM	-40 to 85	TL2845B

Orderable part number	Status (1)	Material type (2)	Package Pins	Package qty Carrier	RoHS (3)	Lead finish/ Ball material (4)	MSL rating/ Peak reflow (5)	Op temp (°C)	Part marking (6)
TL2845BDRG4-8	Active	Production	SOIC (D) 8	2500 LARGE T&R	Yes	NIPDAU	Level-1-260C-UNLIM	-40 to 85	2845B
TL3842BD	Obsolete	Production	SOIC (D) 14	-	-	Call TI	Call TI	0 to 70	TL3842B
TL3842BD-8	Obsolete	Production	SOIC (D) 8	-	-	Call TI	Call TI	0 to 70	3842B
TL3842BDR	Active	Production	SOIC (D) 14	2500 LARGE T&R	Yes	NIPDAU	Level-1-260C-UNLIM	0 to 70	TL3842B
TL3842BDR-8	Active	Production	SOIC (D) 8	2500 LARGE T&R	Yes	NIPDAU	Level-1-260C-UNLIM	0 to 70	3842B
TL3842BDR-8.A	Active	Production	SOIC (D) 8	2500 LARGE T&R	Yes	NIPDAU	Level-1-260C-UNLIM	0 to 70	3842B
TL3842BDR.A	Active	Production	SOIC (D) 14	2500 LARGE T&R	Yes	NIPDAU	Level-1-260C-UNLIM	0 to 70	TL3842B
TL3842BP	Obsolete	Production	PDIP (P) 8	-	-	Call TI	Call TI	0 to 70	TL3842BP
TL3843BD	Obsolete	Production	SOIC (D) 14	-	-	Call TI	Call TI	0 to 70	TL3843B
TL3843BD-8	Obsolete	Production	SOIC (D) 8	-	-	Call TI	Call TI	0 to 70	3843B
TL3843BDR	Active	Production	SOIC (D) 14	2500 LARGE T&R	Yes	NIPDAU	Level-1-260C-UNLIM	0 to 70	TL3843B
TL3843BDR-8	Active	Production	SOIC (D) 8	2500 LARGE T&R	Yes	NIPDAU	Level-1-260C-UNLIM	0 to 70	3843B
TL3843BDR-8.A	Active	Production	SOIC (D) 8	2500 LARGE T&R	Yes	NIPDAU	Level-1-260C-UNLIM	0 to 70	3843B
TL3843BDR.A	Active	Production	SOIC (D) 14	2500 LARGE T&R	Yes	NIPDAU	Level-1-260C-UNLIM	0 to 70	TL3843B
TL3843BP	Active	Production	PDIP (P) 8	50 TUBE	Yes	NIPDAU	N/A for Pkg Type	0 to 70	TL3843BP
TL3843BP.A	Active	Production	PDIP (P) 8	50 TUBE	Yes	NIPDAU	N/A for Pkg Type	0 to 70	TL3843BP
TL3844BD-8	Obsolete	Production	SOIC (D) 8	-	-	Call TI	Call TI	0 to 70	3844B
TL3844BDR	Active	Production	SOIC (D) 14	2500 LARGE T&R	Yes	NIPDAU	Level-1-260C-UNLIM	0 to 70	TL3844B
TL3844BDR-8	Active	Production	SOIC (D) 8	2500 LARGE T&R	Yes	NIPDAU	Level-1-260C-UNLIM	0 to 70	3844B
TL3844BDR-8.A	Active	Production	SOIC (D) 8	2500 LARGE T&R	Yes	NIPDAU	Level-1-260C-UNLIM	0 to 70	3844B
TL3844BDR.A	Active	Production	SOIC (D) 14	2500 LARGE T&R	Yes	NIPDAU	Level-1-260C-UNLIM	0 to 70	TL3844B
TL3844BP	NRND	Production	PDIP (P) 8	50 TUBE	Yes	NIPDAU	N/A for Pkg Type	0 to 70	TL3844BP
TL3844BP.A	NRND	Production	PDIP (P) 8	50 TUBE	Yes	NIPDAU	N/A for Pkg Type	0 to 70	TL3844BP
TL3845BD	Obsolete	Production	SOIC (D) 14	-	-	Call TI	Call TI	0 to 70	TL3845B
TL3845BD-8	Obsolete	Production	SOIC (D) 8	-	-	Call TI	Call TI	0 to 70	3845B
TL3845BDR	Obsolete	Production	SOIC (D) 14	-	-	Call TI	Call TI	0 to 70	TL3845B
TL3845BDR-8	Active	Production	SOIC (D) 8	2500 LARGE T&R	Yes	NIPDAU	Level-1-260C-UNLIM	0 to 70	3845B
TL3845BDR-8.A	Active	Production	SOIC (D) 8	2500 LARGE T&R	Yes	NIPDAU	Level-1-260C-UNLIM	0 to 70	3845B
TL3845BP	Active	Production	PDIP (P) 8	50 TUBE	Yes	NIPDAU	N/A for Pkg Type	0 to 70	TL3845BP
TL3845BP.A	Active	Production	PDIP (P) 8	50 TUBE	Yes	NIPDAU	N/A for Pkg Type	0 to 70	TL3845BP

(1) **Status:** For more details on status, see our [product life cycle](#).

(2) **Material type:** When designated, preproduction parts are prototypes/experimental devices, and are not yet approved or released for full production. Testing and final process, including without limitation quality assurance, reliability performance testing, and/or process qualification, may not yet be complete, and this item is subject to further changes or possible discontinuation. If available for ordering, purchases will be subject to an additional waiver at checkout, and are intended for early internal evaluation purposes only. These items are sold without warranties of any kind.

(3) **RoHS values:** Yes, No, RoHS Exempt. See the [TI RoHS Statement](#) for additional information and value definition.

(4) **Lead finish/Ball material:** Parts may have multiple material finish options. Finish options are separated by a vertical ruled line. Lead finish/Ball material values may wrap to two lines if the finish value exceeds the maximum column width.

(5) **MSL rating/Peak reflow:** The moisture sensitivity level ratings and peak solder (reflow) temperatures. In the event that a part has multiple moisture sensitivity ratings, only the lowest level per JEDEC standards is shown. Refer to the shipping label for the actual reflow temperature that will be used to mount the part to the printed circuit board.

(6) **Part marking:** There may be an additional marking, which relates to the logo, the lot trace code information, or the environmental category of the part.

Multiple part markings will be inside parentheses. Only one part marking contained in parentheses and separated by a "-" will appear on a part. If a line is indented then it is a continuation of the previous line and the two combined represent the entire part marking for that device.

Important Information and Disclaimer: The information provided on this page represents TI's knowledge and belief as of the date that it is provided. TI bases its knowledge and belief on information provided by third parties, and makes no representation or warranty as to the accuracy of such information. Efforts are underway to better integrate information from third parties. TI has taken and continues to take reasonable steps to provide representative and accurate information but may not have conducted destructive testing or chemical analysis on incoming materials and chemicals. TI and TI suppliers consider certain information to be proprietary, and thus CAS numbers and other limited information may not be available for release.

In no event shall TI's liability arising out of such information exceed the total purchase price of the TI part(s) at issue in this document sold by TI to Customer on an annual basis.

OTHER QUALIFIED VERSIONS OF TL2843B :

- Automotive : [TL2843B-Q1](#)

NOTE: Qualified Version Definitions:

- Automotive - Q100 devices qualified for high-reliability automotive applications targeting zero defects

TAPE AND REEL INFORMATION

QUADRANT ASSIGNMENTS FOR PIN 1 ORIENTATION IN TAPE


*All dimensions are nominal

Device	Package Type	Package Drawing	Pins	SPQ	Reel Diameter (mm)	Reel Width W1 (mm)	A0 (mm)	B0 (mm)	K0 (mm)	P1 (mm)	W (mm)	Pin1 Quadrant
TL2842BDR	SOIC	D	14	2500	330.0	16.4	6.5	9.0	2.1	8.0	16.0	Q1
TL2842BDR-8	SOIC	D	8	2500	330.0	12.4	6.4	5.2	2.1	8.0	12.0	Q1
TL2843BDR	SOIC	D	14	2500	330.0	16.4	6.5	9.0	2.1	8.0	16.0	Q1
TL2843BDR-8	SOIC	D	8	2500	330.0	12.4	6.4	5.2	2.1	8.0	12.0	Q1
TL2844BDR	SOIC	D	14	2500	330.0	16.4	6.5	9.0	2.1	8.0	16.0	Q1
TL2844BDR-8	SOIC	D	8	2500	330.0	12.4	6.4	5.2	2.1	8.0	12.0	Q1
TL2845BDR	SOIC	D	14	2500	330.0	16.4	6.5	9.0	2.1	8.0	16.0	Q1
TL2845BDR-8	SOIC	D	8	2500	330.0	12.4	6.4	5.2	2.1	8.0	12.0	Q1
TL3842BDR	SOIC	D	14	2500	330.0	16.4	6.5	9.0	2.1	8.0	16.0	Q1
TL3842BDR-8	SOIC	D	8	2500	330.0	12.4	6.4	5.2	2.1	8.0	12.0	Q1
TL3843BDR	SOIC	D	14	2500	330.0	16.4	6.5	9.0	2.1	8.0	16.0	Q1
TL3843BDR-8	SOIC	D	8	2500	330.0	12.4	6.4	5.2	2.1	8.0	12.0	Q1
TL3844BDR	SOIC	D	14	2500	330.0	16.4	6.5	9.0	2.1	8.0	16.0	Q1
TL3844BDR-8	SOIC	D	8	2500	330.0	12.4	6.4	5.2	2.1	8.0	12.0	Q1
TL3845BDR-8	SOIC	D	8	2500	330.0	12.4	6.4	5.2	2.1	8.0	12.0	Q1

TAPE AND REEL BOX DIMENSIONS


*All dimensions are nominal

Device	Package Type	Package Drawing	Pins	SPQ	Length (mm)	Width (mm)	Height (mm)
TL2842BDR	SOIC	D	14	2500	353.0	353.0	32.0
TL2842BDR-8	SOIC	D	8	2500	353.0	353.0	32.0
TL2843BDR	SOIC	D	14	2500	353.0	353.0	32.0
TL2843BDR-8	SOIC	D	8	2500	353.0	353.0	32.0
TL2844BDR	SOIC	D	14	2500	353.0	353.0	32.0
TL2844BDR-8	SOIC	D	8	2500	353.0	353.0	32.0
TL2845BDR	SOIC	D	14	2500	353.0	353.0	32.0
TL2845BDR-8	SOIC	D	8	2500	353.0	353.0	32.0
TL3842BDR	SOIC	D	14	2500	353.0	353.0	32.0
TL3842BDR-8	SOIC	D	8	2500	353.0	353.0	32.0
TL3843BDR	SOIC	D	14	2500	353.0	353.0	32.0
TL3843BDR-8	SOIC	D	8	2500	353.0	353.0	32.0
TL3844BDR	SOIC	D	14	2500	353.0	353.0	32.0
TL3844BDR-8	SOIC	D	8	2500	353.0	353.0	32.0
TL3845BDR-8	SOIC	D	8	2500	353.0	353.0	32.0

TUBE


*All dimensions are nominal

Device	Package Name	Package Type	Pins	SPQ	L (mm)	W (mm)	T (μm)	B (mm)
TL2842BP	P	PDIP	8	50	506	13.97	11230	4.32
TL2842BP.A	P	PDIP	8	50	506	13.97	11230	4.32
TL2843BP	P	PDIP	8	50	506	13.97	11230	4.32
TL2843BP.A	P	PDIP	8	50	506	13.97	11230	4.32
TL3843BP	P	PDIP	8	50	506	13.97	11230	4.32
TL3843BP.A	P	PDIP	8	50	506	13.97	11230	4.32
TL3844BP	P	PDIP	8	50	506	13.97	11230	4.32
TL3844BP.A	P	PDIP	8	50	506	13.97	11230	4.32
TL3845BP	P	PDIP	8	50	506	13.97	11230	4.32
TL3845BP.A	P	PDIP	8	50	506	13.97	11230	4.32

D0014A



PACKAGE OUTLINE

SOIC - 1.75 mm max height

SMALL OUTLINE INTEGRATED CIRCUIT



NOTES:

1. All linear dimensions are in millimeters. Dimensions in parenthesis are for reference only. Dimensioning and tolerancing per ASME Y14.5M.
2. This drawing is subject to change without notice.
3. This dimension does not include mold flash, protrusions, or gate burrs. Mold flash, protrusions, or gate burrs shall not exceed 0.15 mm, per side.
4. This dimension does not include interlead flash. Interlead flash shall not exceed 0.43 mm, per side.
5. Reference JEDEC registration MS-012, variation AB.

EXAMPLE BOARD LAYOUT

D0014A

SOIC - 1.75 mm max height

SMALL OUTLINE INTEGRATED CIRCUIT



LAND PATTERN EXAMPLE
SCALE:8X



SOLDER MASK DETAILS

4220718/A 09/2016

NOTES: (continued)

- 6. Publication IPC-7351 may have alternate designs.
- 7. Solder mask tolerances between and around signal pads can vary based on board fabrication site.

EXAMPLE STENCIL DESIGN

D0014A

SOIC - 1.75 mm max height

SMALL OUTLINE INTEGRATED CIRCUIT



SOLDER PASTE EXAMPLE
BASED ON 0.125 mm THICK STENCIL
SCALE:8X

4220718/A 09/2016

NOTES: (continued)

8. Laser cutting apertures with trapezoidal walls and rounded corners may offer better paste release. IPC-7525 may have alternate design recommendations.
9. Board assembly site may have different recommendations for stencil design.



D0008A

PACKAGE OUTLINE

SOIC - 1.75 mm max height

SMALL OUTLINE INTEGRATED CIRCUIT



4214825/C 02/2019

NOTES:

- Linear dimensions are in inches [millimeters]. Dimensions in parenthesis are for reference only. Controlling dimensions are in inches. Dimensioning and tolerancing per ASME Y14.5M.
- This drawing is subject to change without notice.
- This dimension does not include mold flash, protrusions, or gate burrs. Mold flash, protrusions, or gate burrs shall not exceed .006 [0.15] per side.
- This dimension does not include interlead flash.
- Reference JEDEC registration MS-012, variation AA.

EXAMPLE BOARD LAYOUT

D0008A

SOIC - 1.75 mm max height

SMALL OUTLINE INTEGRATED CIRCUIT



LAND PATTERN EXAMPLE
 EXPOSED METAL SHOWN
 SCALE:8X



SOLDER MASK DETAILS

4214825/C 02/2019

NOTES: (continued)

- 6. Publication IPC-7351 may have alternate designs.
- 7. Solder mask tolerances between and around signal pads can vary based on board fabrication site.

EXAMPLE STENCIL DESIGN

D0008A

SOIC - 1.75 mm max height

SMALL OUTLINE INTEGRATED CIRCUIT



SOLDER PASTE EXAMPLE
BASED ON .005 INCH [0.125 MM] THICK STENCIL
SCALE:8X

4214825/C 02/2019

NOTES: (continued)

8. Laser cutting apertures with trapezoidal walls and rounded corners may offer better paste release. IPC-7525 may have alternate design recommendations.
9. Board assembly site may have different recommendations for stencil design.

重要通知和免责声明

TI“按原样”提供技术和可靠性数据（包括数据表）、设计资源（包括参考设计）、应用或其他设计建议、网络工具、安全信息和其他资源，不保证没有瑕疵且不做任何明示或暗示的担保，包括但不限于对适销性、与某特定用途的适用性或不侵犯任何第三方知识产权的暗示担保。

这些资源可供使用 TI 产品进行设计的熟练开发人员使用。您将自行承担以下全部责任：(1) 针对您的应用选择合适的 TI 产品，(2) 设计、验证并测试您的应用，(3) 确保您的应用满足相应标准以及任何其他安全、安保法规或其他要求。

这些资源如有变更，恕不另行通知。TI 授权您仅可将这些资源用于研发本资源所述的 TI 产品的相关应用。严禁以其他方式对这些资源进行复制或展示。您无权使用任何其他 TI 知识产权或任何第三方知识产权。对于因您对这些资源的使用而对 TI 及其代表造成的任何索赔、损害、成本、损失和债务，您将全额赔偿，TI 对此概不负责。

TI 提供的产品受 [TI 销售条款](#)、[TI 通用质量指南](#) 或 [ti.com](#) 上其他适用条款或 TI 产品随附的其他适用条款的约束。TI 提供这些资源并不会扩展或以其他方式更改 TI 针对 TI 产品发布的适用的担保或担保免责声明。除非德州仪器 (TI) 明确将某产品指定为定制产品或客户特定产品，否则其产品均为按确定价格收入目录的标准通用器件。

TI 反对并拒绝您可能提出的任何其他或不同的条款。

版权所有 © 2026，德州仪器 (TI) 公司

最后更新日期：2025 年 10 月